



US00D868954S

(12) **United States Design Patent**
Guo et al.

(10) **Patent No.:** **US D868,954 S**

(45) **Date of Patent:** **** Dec. 3, 2019**

(54) **FAN**

(71) Applicants: **GD MIDEA ENVIRONMENT APPLIANCES MFG CO., LTD.,** Zhongshan (CN); **MIDEA GROUP CO., LTD.,** Foshan (CN)

(72) Inventors: **Yuqiang Guo,** Zhongshan (CN); **Shuisheng Lei,** Zhongshan (CN); **Songhao Liang,** Zhongshan (CN); **Mincheol Jeon,** Zhongshan (CN)

(73) Assignees: **GD MIDEA ENVIRONMENT APPLIANCES MFG. CO., LTD.,** Zhongshan (CN); **MIDEA GROUP CO., LTD.,** Foshan (CN)

D396,530 S * 7/1998 Tai D23/377
D477,068 S * 7/2003 Hsieh D23/377
D514,689 S * 2/2006 Gajewski D23/411
D549,814 S * 8/2007 Gajewski D23/377
D572,814 S * 7/2008 Bucher D23/377
D576,265 S * 9/2008 Bucher D23/377
D590,489 S * 4/2009 Bucher D23/377
D594,542 S * 6/2009 Pan D23/377
D595,400 S * 6/2009 Young D23/377
D599,459 S * 9/2009 Hidalgo D23/377
D599,461 S * 9/2009 Ertze D23/377
D715,418 S * 10/2014 Schulzman D23/377
D743,523 S * 11/2015 Ertze D23/411
D744,629 S * 12/2015 Wang D23/377
D750,215 S * 2/2016 Gajewski D23/385
D794,768 S * 8/2017 Wang D23/377
D795,411 S * 8/2017 Wang D23/377
D799,665 S * 10/2017 Wang D23/377
D799,668 S * 10/2017 Wang D23/377
D801,515 S * 10/2017 Wang D23/411
D804,629 S * 12/2017 McRoberts D23/377
D804,630 S * 12/2017 Holmes D23/377

(**) Term: **15 Years**

(21) Appl. No.: **29/578,348**

(22) Filed: **Sep. 21, 2016**

(30) **Foreign Application Priority Data**

Mar. 21, 2016 (CN) 2016 3 0081851
Aug. 24, 2016 (CN) 2016 3 0417575

(51) **LOC (12) Cl.** **23-04**

(52) **U.S. Cl.**
USPC **D23/377**

(58) **Field of Classification Search**
USPC D23/370, 377, 379, 385, 411; D26/59
CPC F04D 25/088; F04D 25/06; F04D 29/00;
F24F 7/00; F04B 17/00; H02K 11/001
See application file for complete search history.

(56) **References Cited**

U.S. PATENT DOCUMENTS

D346,858 S * 5/1994 Lee D23/377
D384,737 S * 10/1997 Gee, II D23/377

(Continued)

Primary Examiner — Janice Hallmark

(74) *Attorney, Agent, or Firm* — Anova Law Group, PLLC

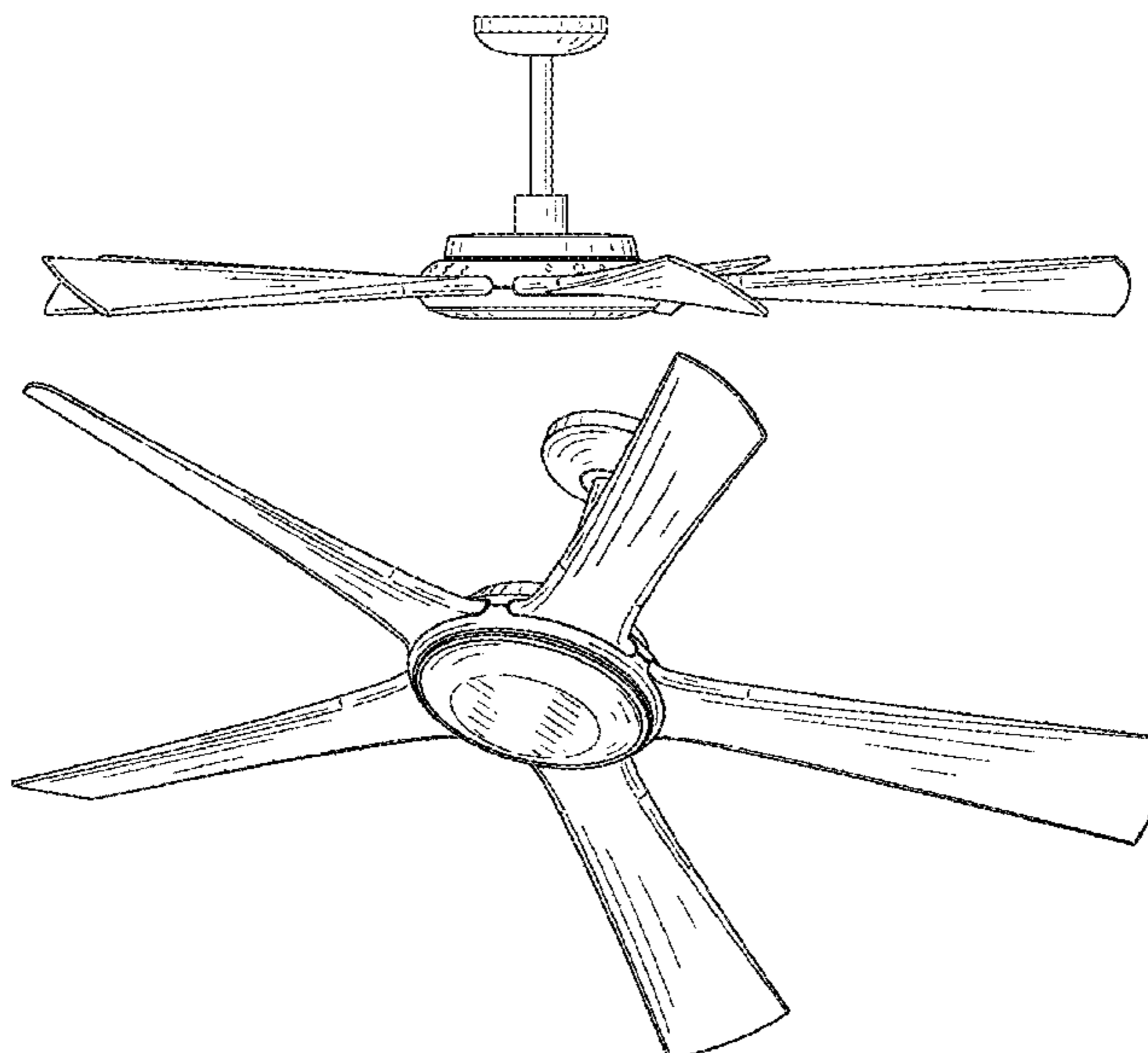
(57) **CLAIM**

The ornamental design for a fan, as shown and described.

DESCRIPTION

FIG. 1 is a front elevation view of a fan in accordance with the present disclosure;
FIG. 2 is a rear elevation view thereof;
FIG. 3 is a left side elevation view thereof;
FIG. 4 is a right side elevation view thereof;
FIG. 5 is a top plan view thereof;
FIG. 6 is a bottom plan view thereof; and,
FIG. 7 is a perspective view thereof.
The broken lines represent unclaimed features of the fan that form no part of the claimed design.

1 Claim, 5 Drawing Sheets



(56)

References Cited

U.S. PATENT DOCUMENTS

D804,639 S * 12/2017 Guthrie D23/377
D804,641 S * 12/2017 McRoberts D23/377
D805,625 S * 12/2017 Haggar D23/377
D807,491 S * 1/2018 Haggar D23/377
D833,594 S * 11/2018 Wang D23/377
D833,596 S * 11/2018 Schulzman D23/377
2009/0129974 A1* 5/2009 McEllen A61L 9/205
422/24
2015/0198180 A1* 7/2015 Gajewski F04D 25/088
416/247 R
2016/0319842 A1* 11/2016 Botkin F04D 29/601
2018/0252227 A1* 9/2018 Tang F04D 25/088

* cited by examiner

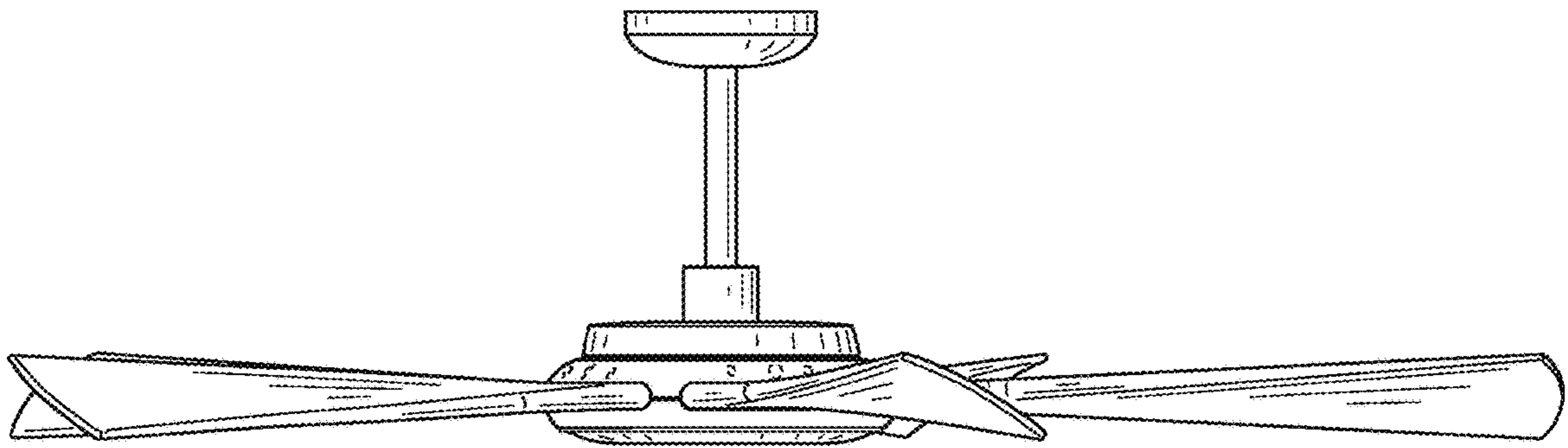


FIG. 1

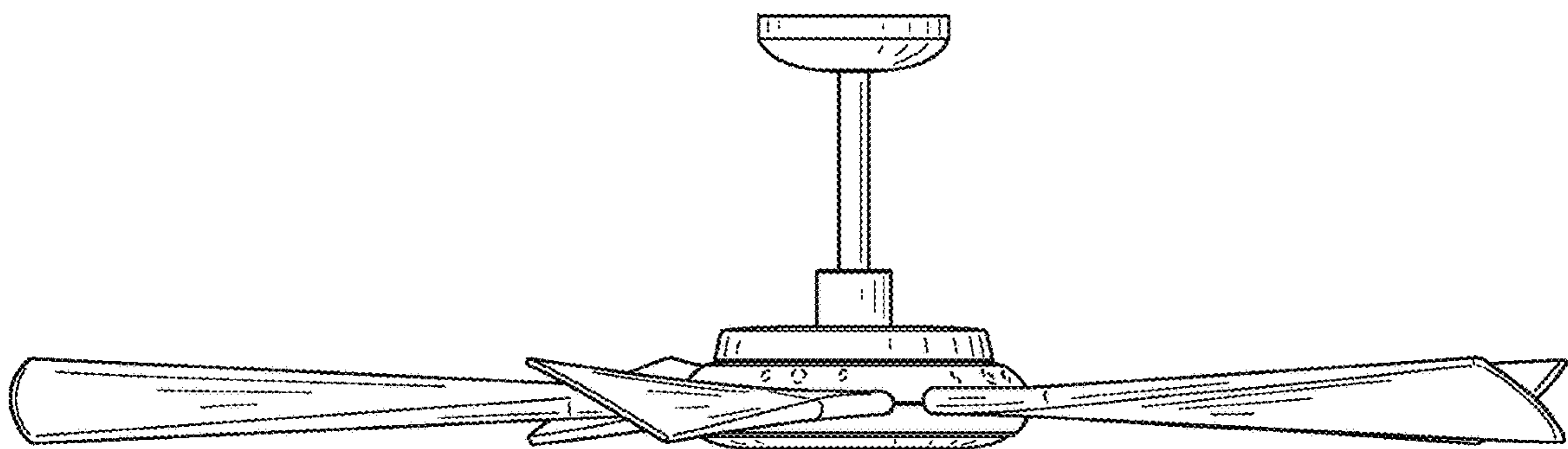


FIG. 2

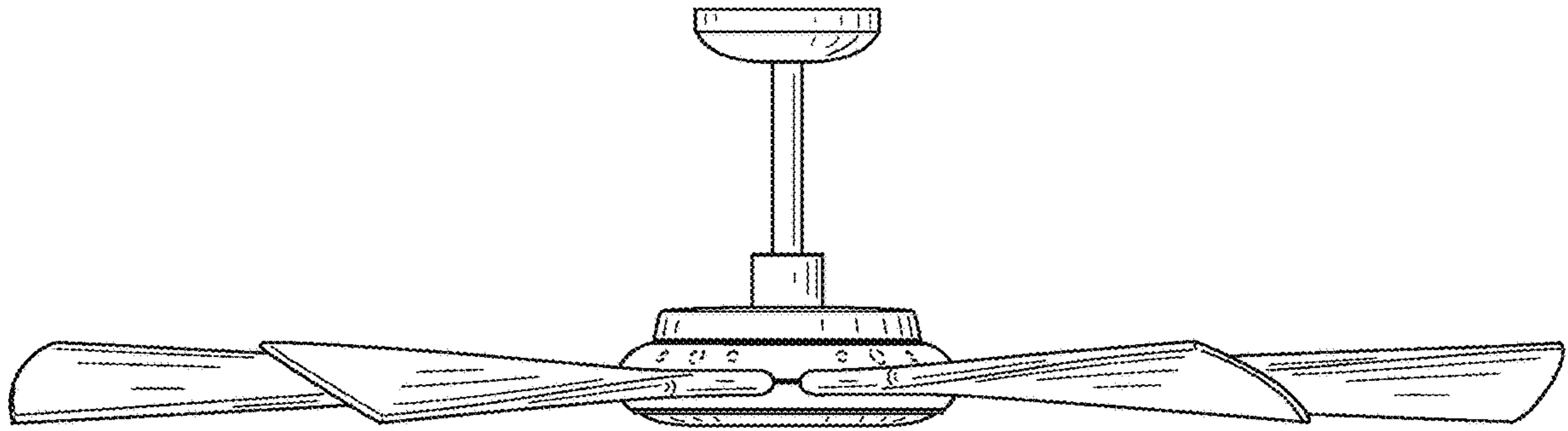


FIG. 3

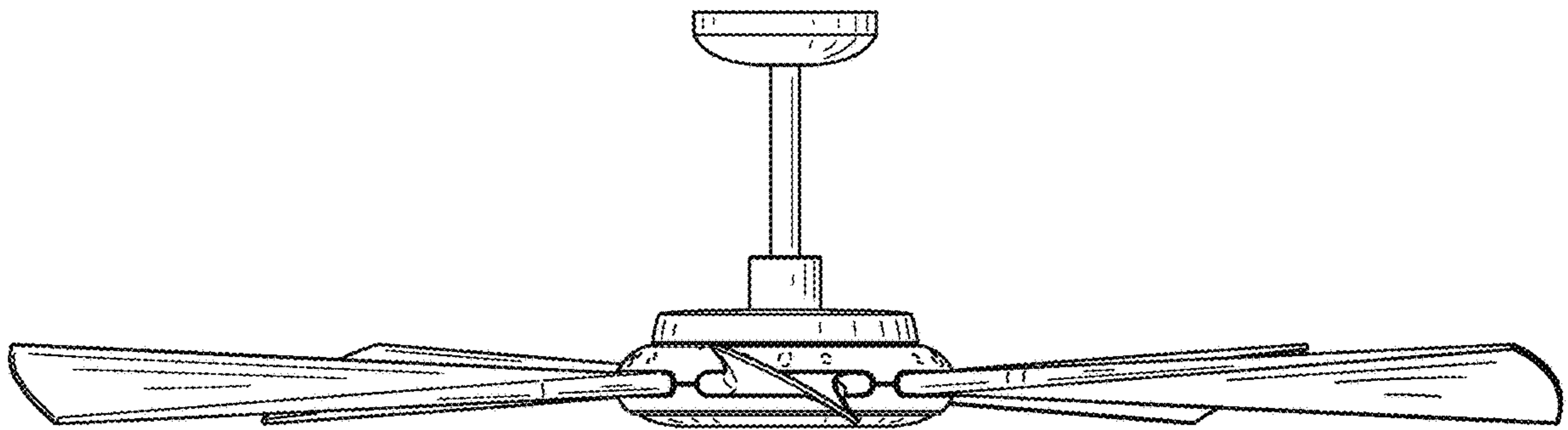


FIG. 4

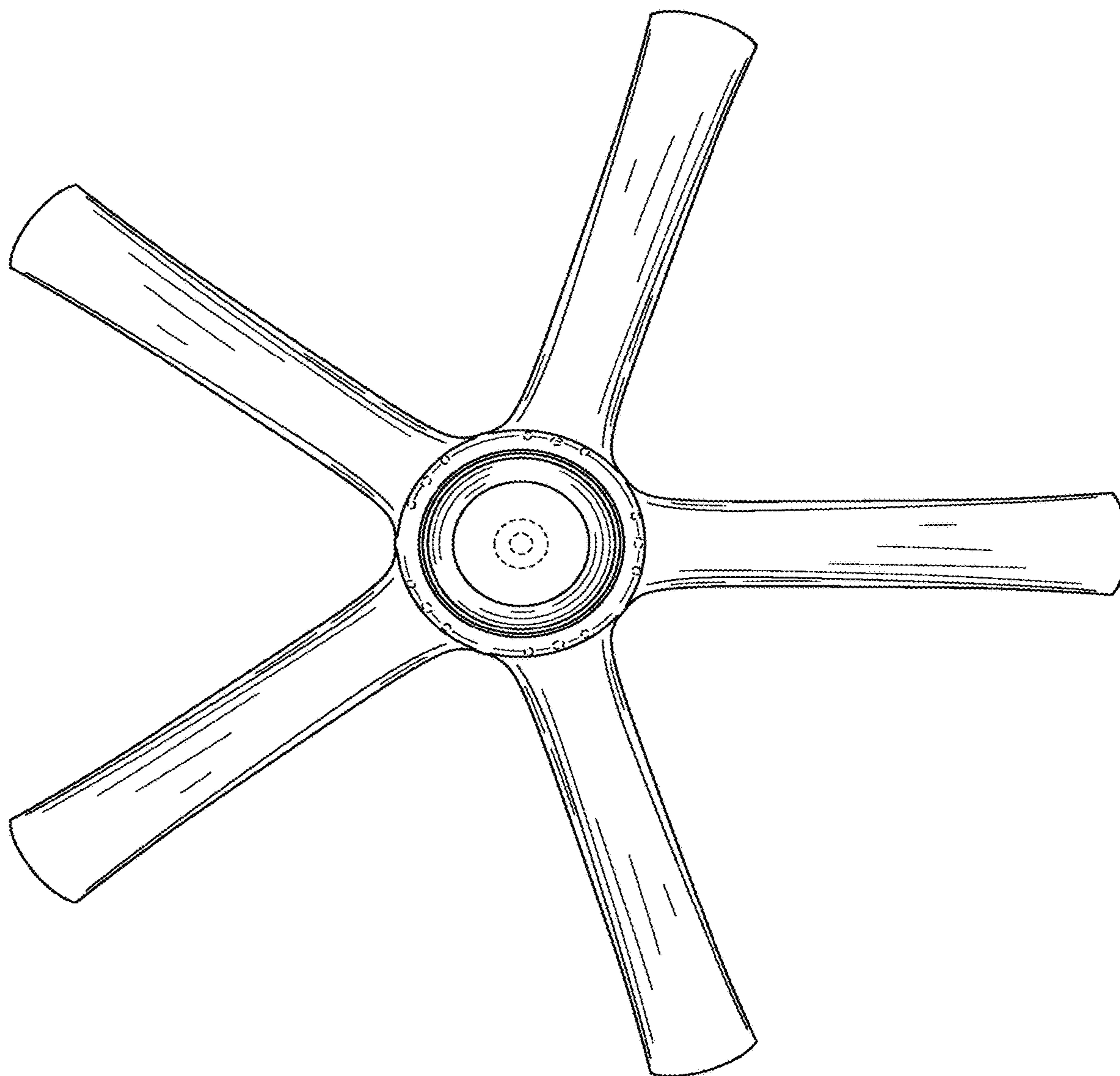


FIG. 5

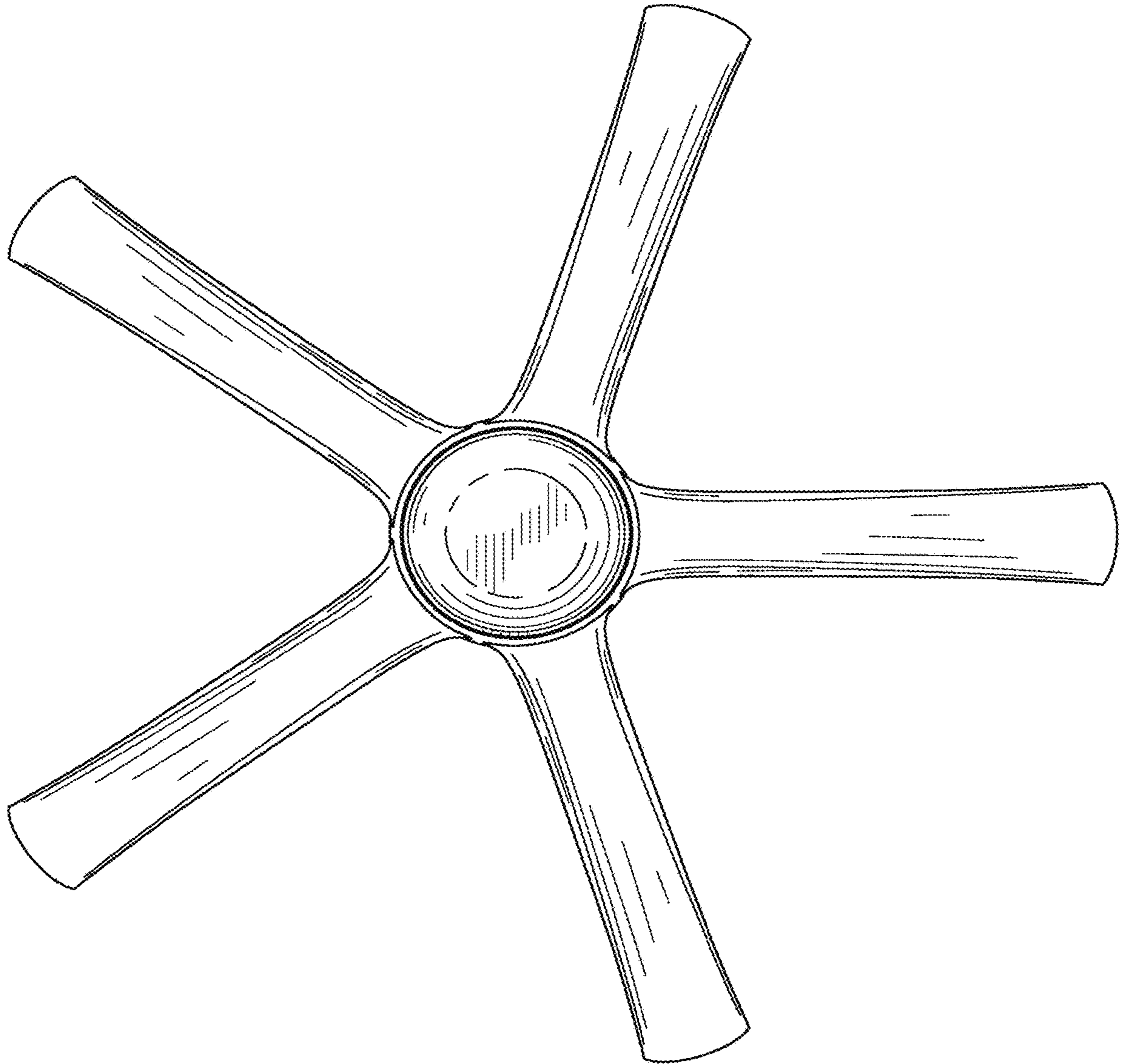


FIG. 6

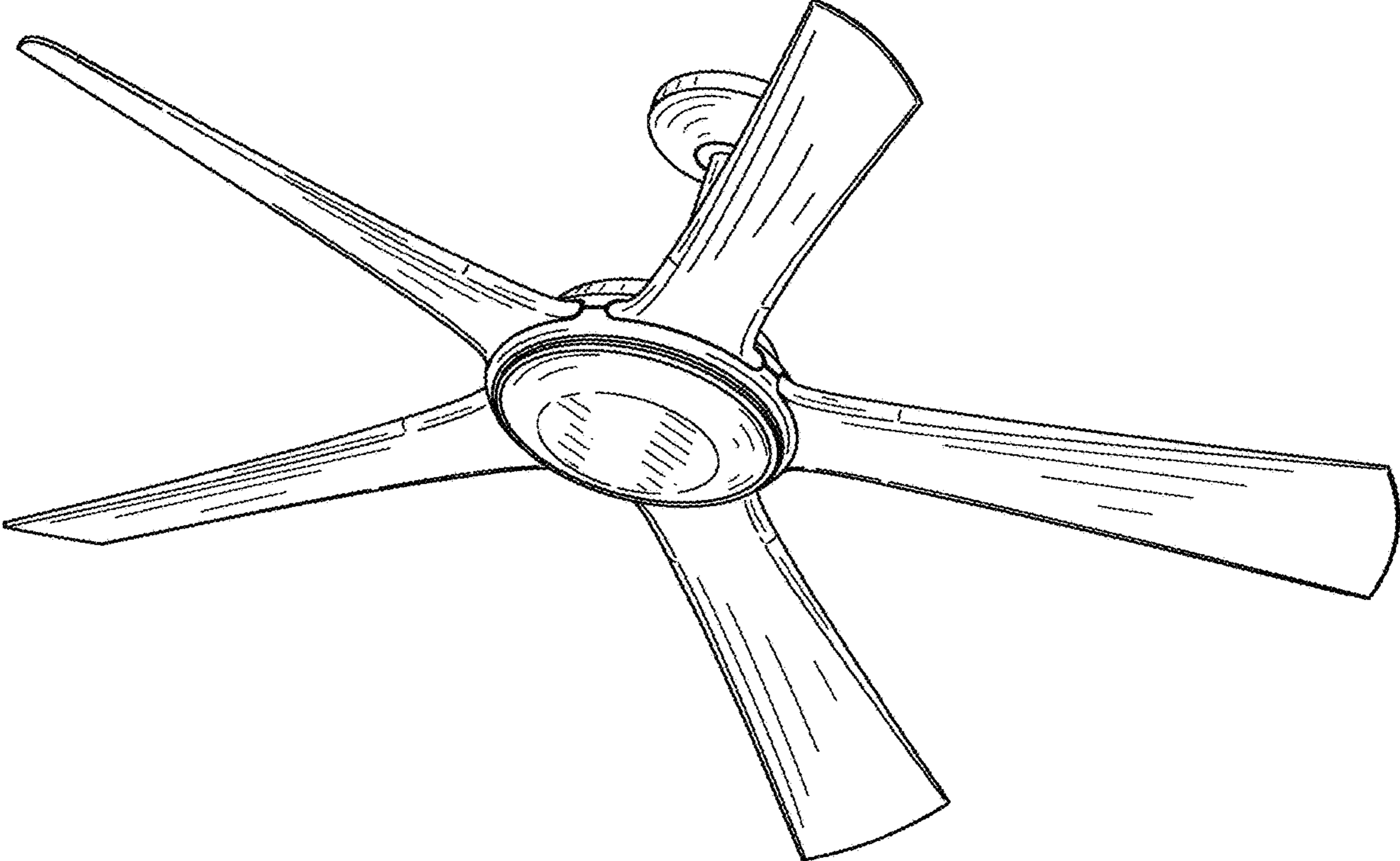


FIG. 7