



US00D868952S

(12) **United States Design Patent** (10) **Patent No.:** **US D868,952 S**  
**Wang et al.** (45) **Date of Patent:** **\*\* Dec. 3, 2019**

(54) **WALL-MOUNTED ELECTRIC HEATER**

(56) **References Cited**

(71) Applicant: **Jinping Zhou**, Cixi (CN)

U.S. PATENT DOCUMENTS

(72) Inventors: **Wei Wang**, Cixi (CN); **Jinping Zhou**, Cixi (CN)

D538,415 S *	3/2007	Ching .....	D23/335
D541,918 S *	5/2007	Bucher .....	D23/335
D544,079 S *	6/2007	Bucher .....	D23/335
D549,310 S *	8/2007	Hou .....	D23/333
D636,475 S *	4/2011	Farone .....	D23/366
D641,845 S *	7/2011	Breit .....	D23/333
D827,796 S *	9/2018	Torres Martin .....	D23/332

(73) Assignee: **Jinping Zhou**, Cixi (CN)

(\*\*) Term: **15 Years**

\* cited by examiner

(21) Appl. No.: **29/638,004**

*Primary Examiner* — T Chase Nelson

(22) Filed: **Feb. 23, 2018**

*Assistant Examiner* — Ania Aman

(30) **Foreign Application Priority Data**

(74) *Attorney, Agent, or Firm* — Jiwen Chen

Aug. 23, 2017 (CN) ..... 2017 3 0390614

(51) **LOC (12) Cl.** ..... **23-03**

(52) **U.S. Cl.**  
USPC ..... **D23/332**

(58) **Field of Classification Search**

USPC ..... D23/314, 317, 318, 319, 320, 321, 322,  
D23/323, 329, 330, 331, 332, 334, 335,  
D23/333, 336, 337, 338, 339, 340, 341,  
D23/342, 370, 378, 411, 12, 356, 358,  
D23/359, 363, 328

CPC ..... F24H 3/00; F24H 3/0411; F24H 3/0417;  
F24H 9/0063; F24H 9/0073; F24H 9/02;  
F24H 3/082; F24H 9/2071; F24H 3/002;  
F24H 3/02; F24H 3/04; F04D 17/04;  
F04D 25/08; F04D 25/10; F04D 5/00;  
H05B 3/008

See application file for complete search history.

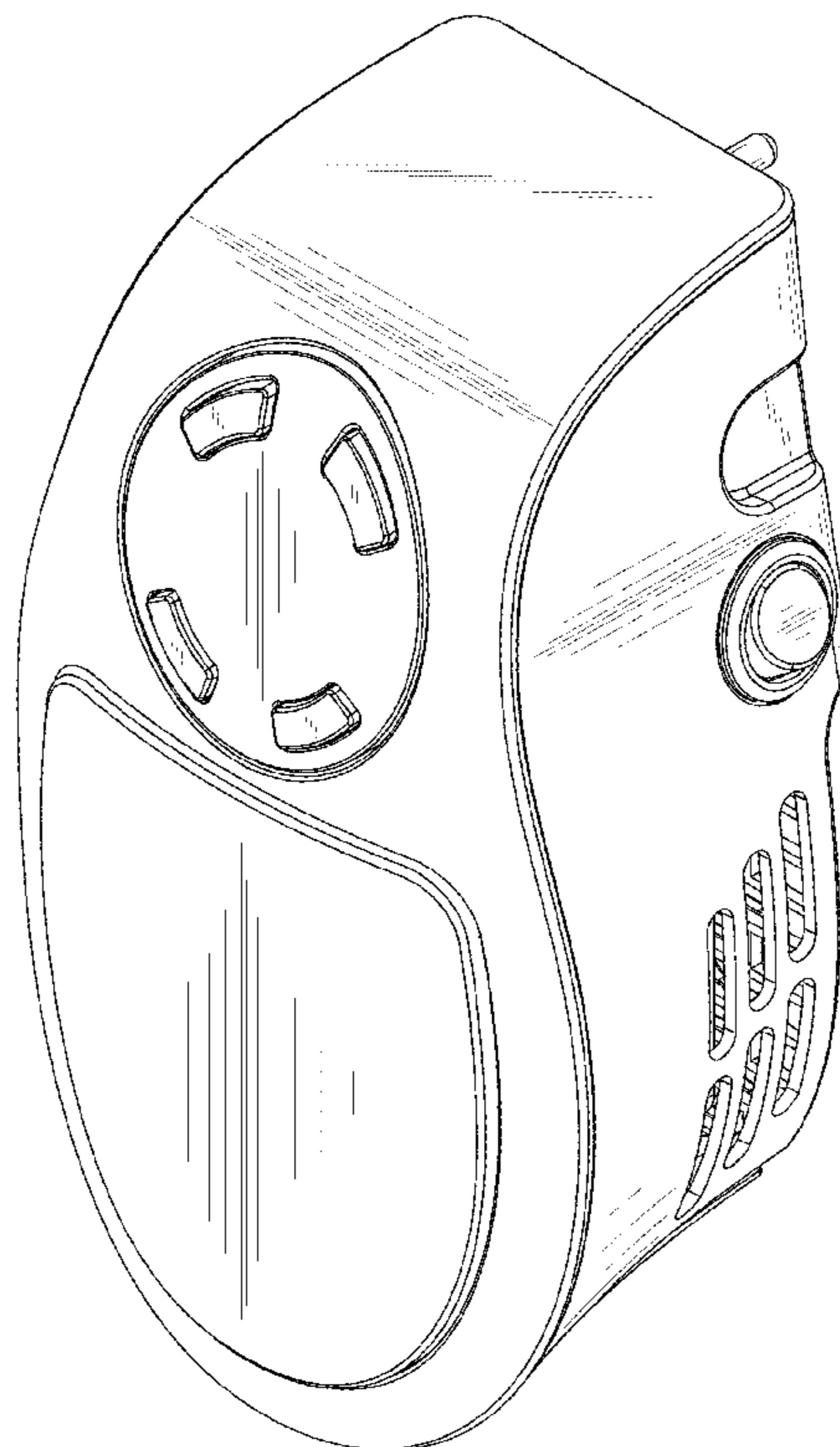
(57) **CLAIM**

The ornamental design for the wall-mounted electric heater, as shown and described.

**DESCRIPTION**

FIG. 1 is a front perspective view of the wall-mounted electric heater showing the design;  
FIG. 2 is a front elevational view thereof;  
FIG. 3 is a rear elevational view thereof;  
FIG. 4 is a left side view thereof;  
FIG. 5 is a right side view thereof;  
FIG. 6 is a top plan view thereof; and,  
FIG. 7 is a bottom plan view thereof.  
The portions in broken lines in FIG. 3 form no part of the claimed design.

**1 Claim, 7 Drawing Sheets**



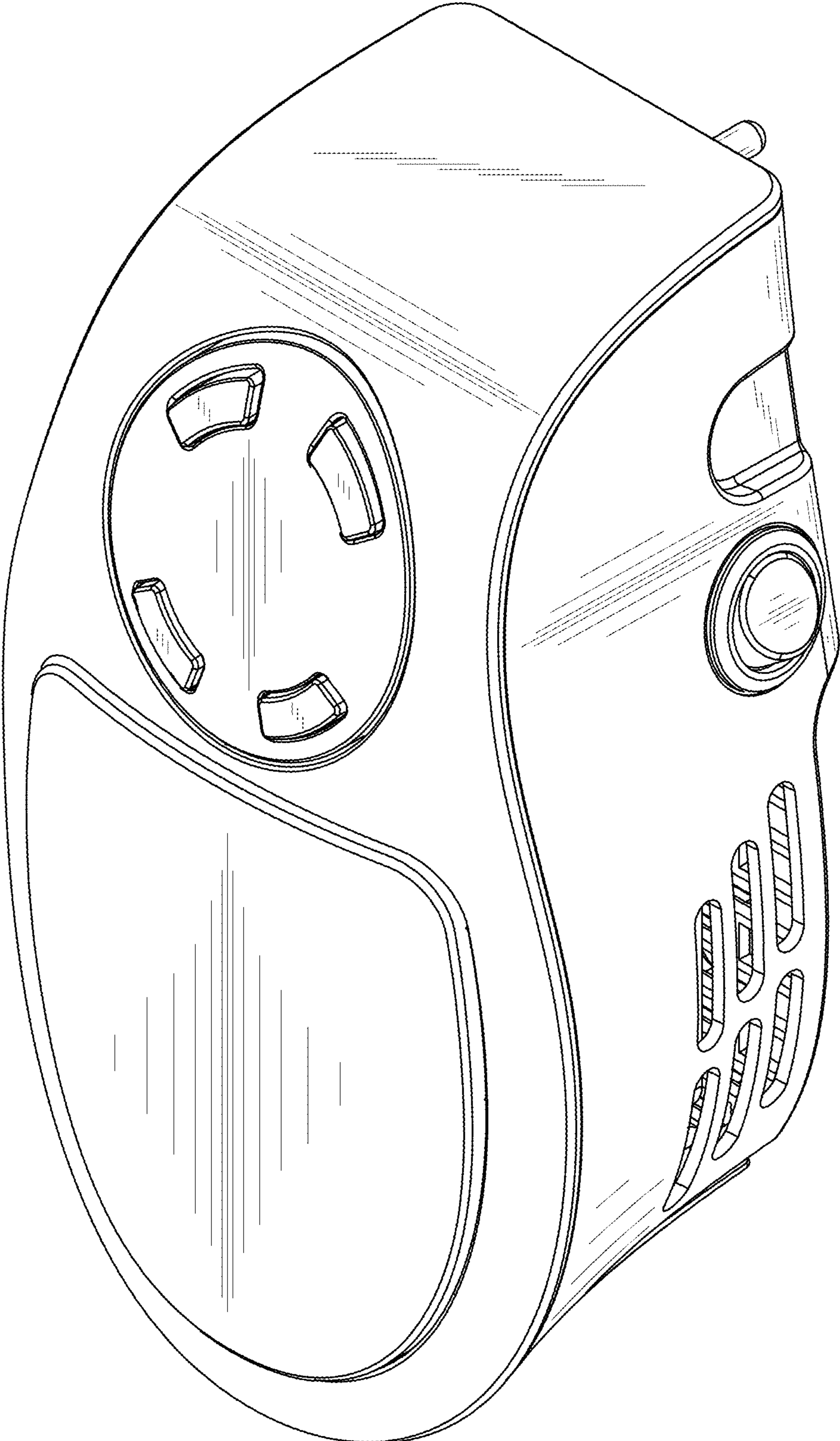


FIG. 1

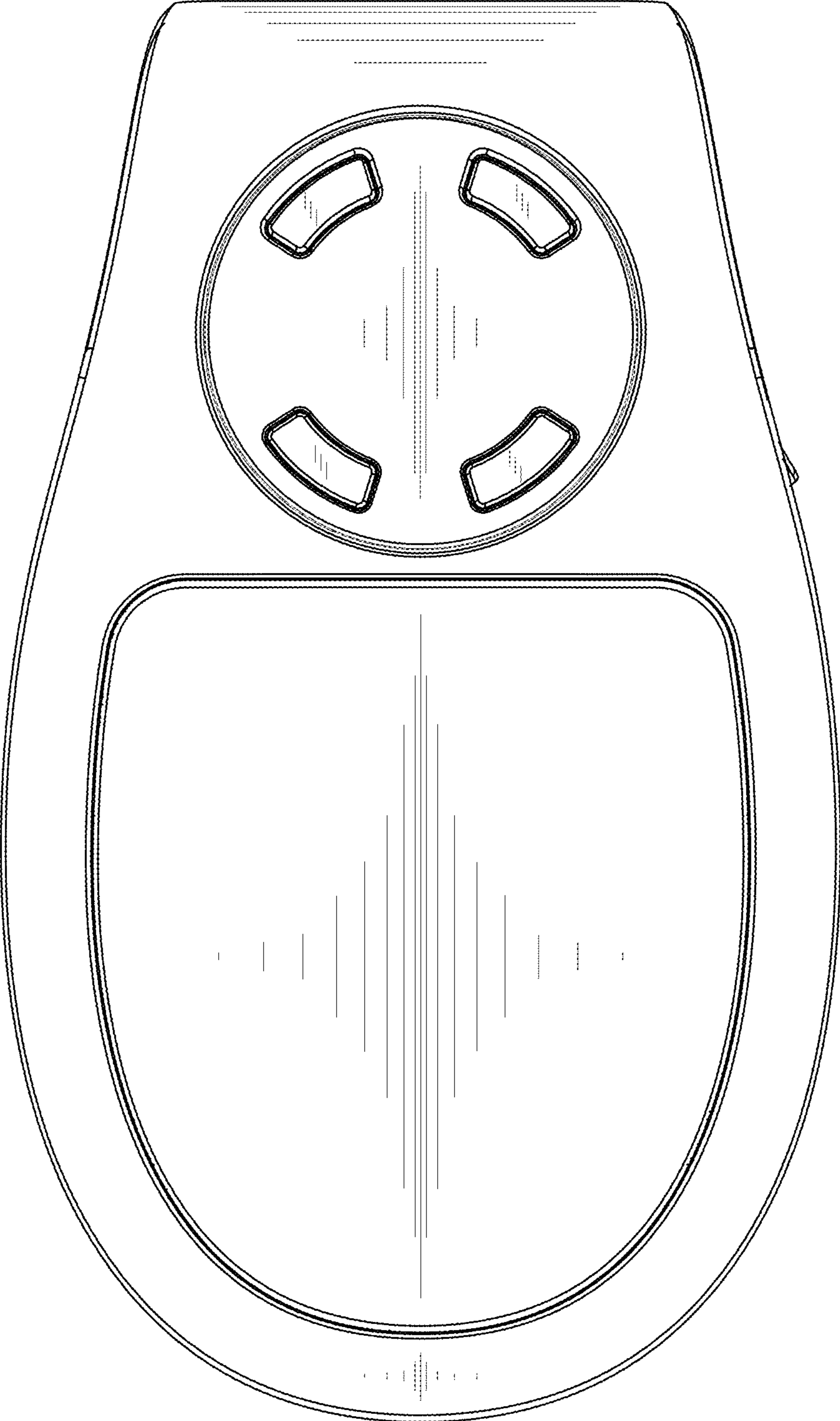


FIG. 2



FIG. 3

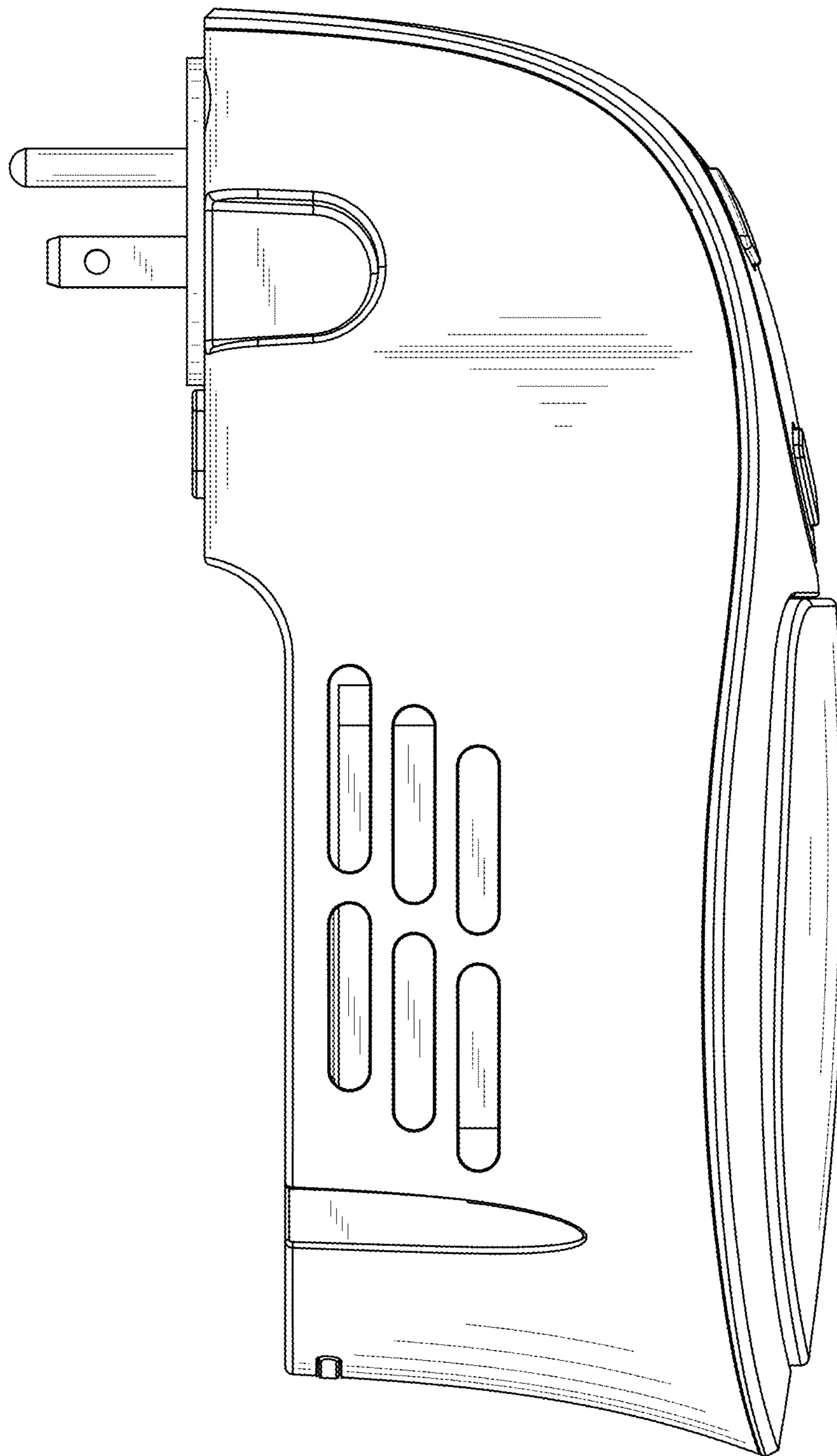


FIG. 4

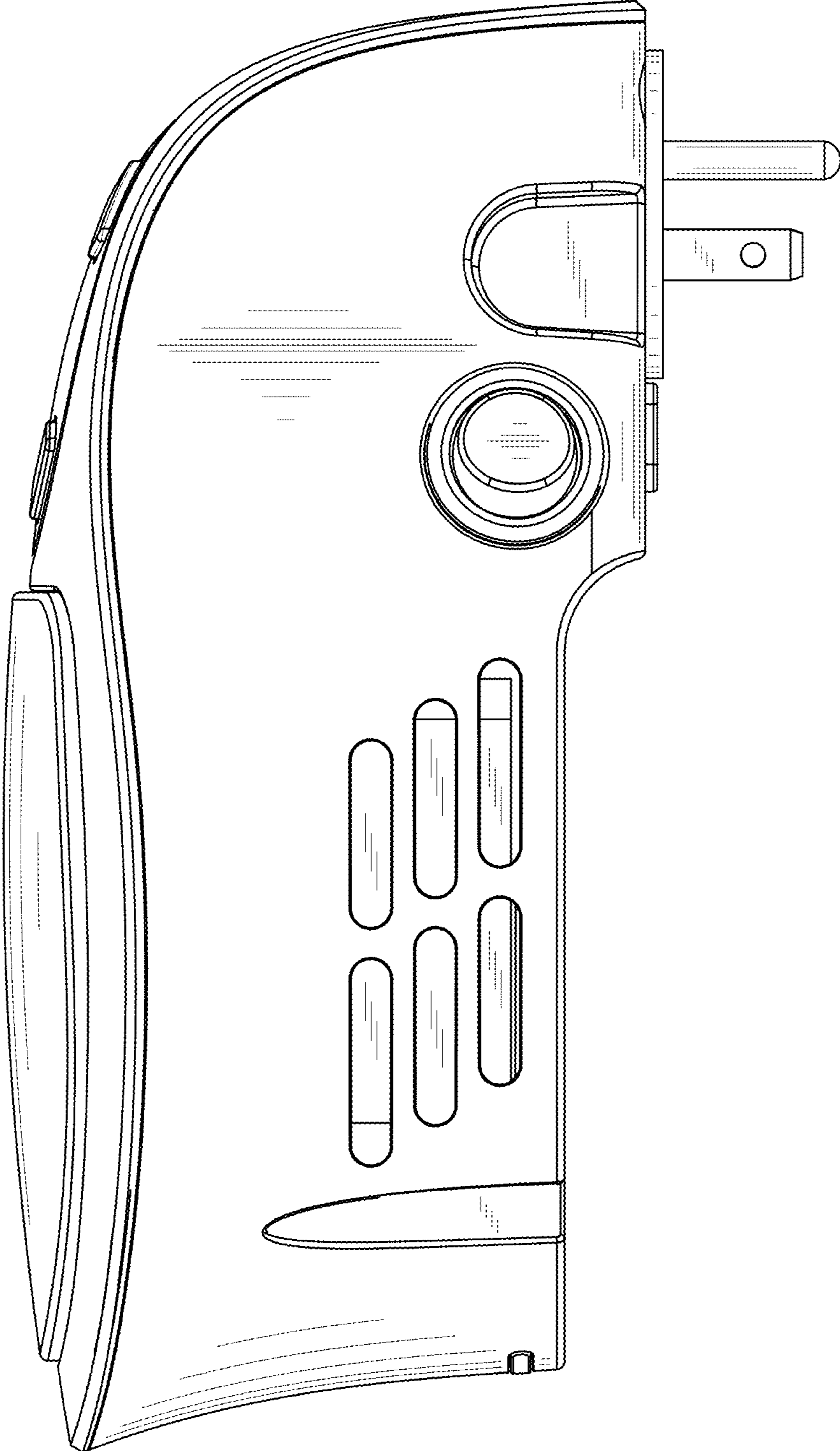


FIG. 5

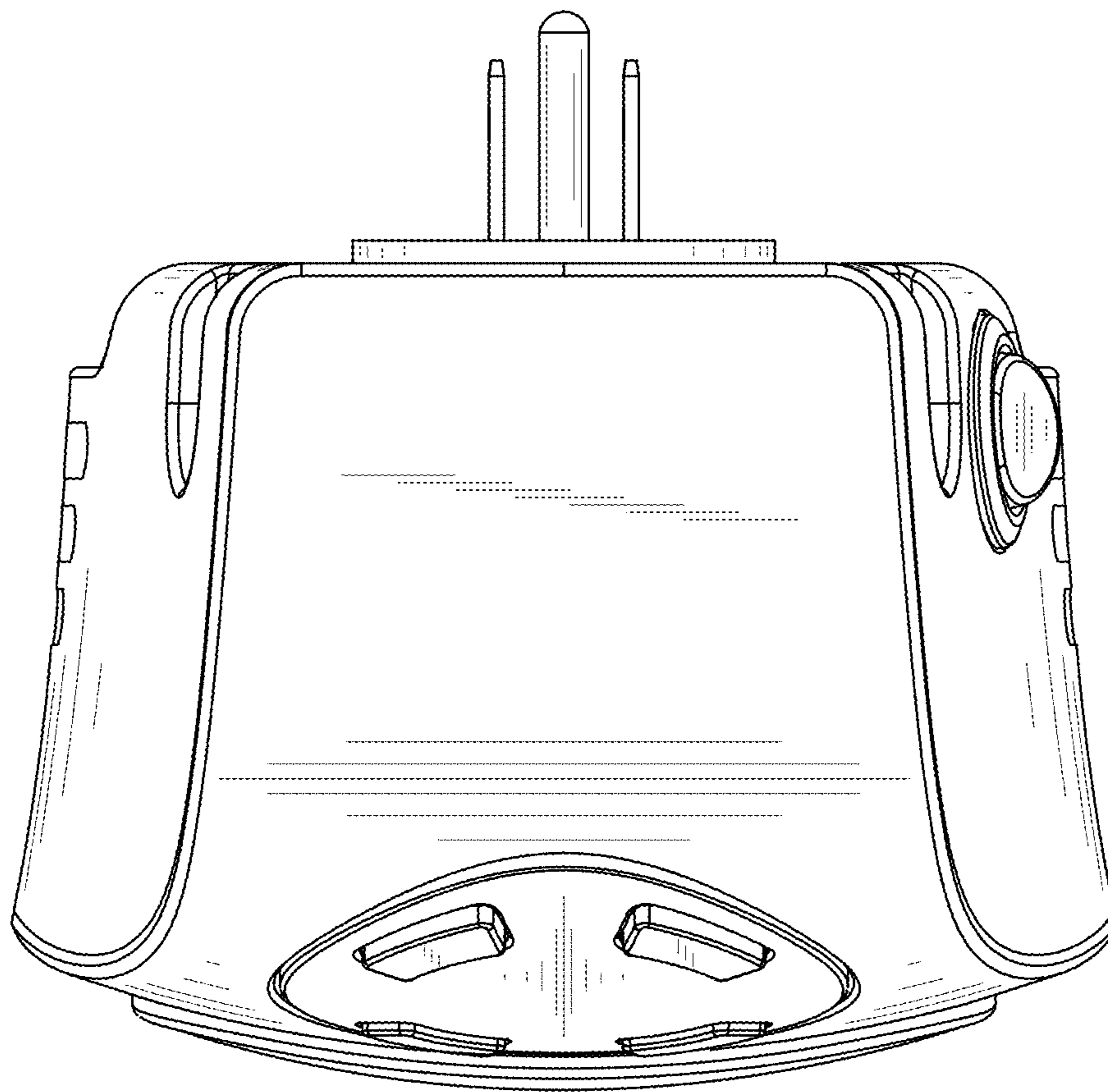


FIG. 6

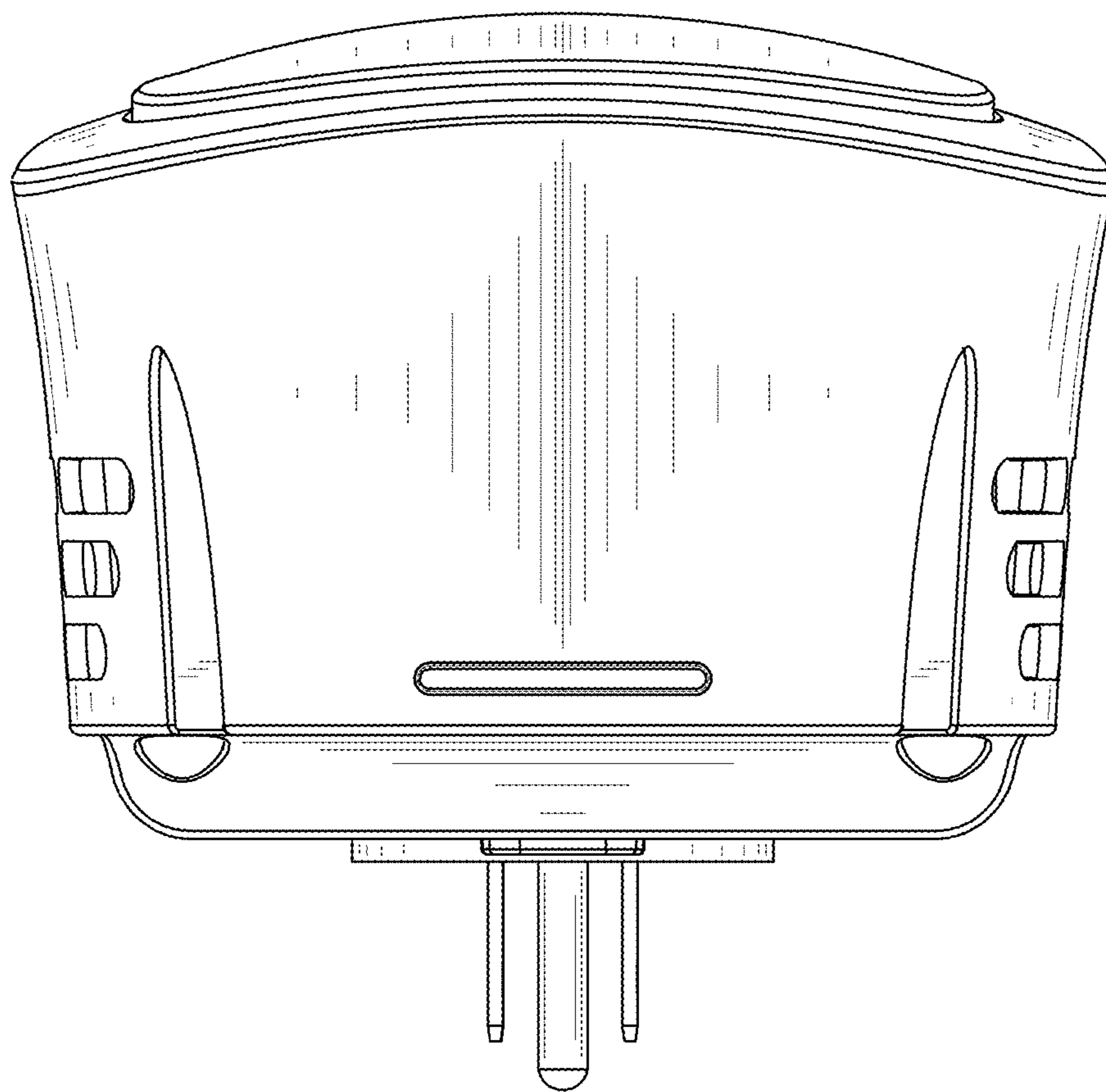


FIG. 7