



US00D868950S

(12) **United States Design Patent** (10) **Patent No.:** **US D868,950 S**
Ross (45) **Date of Patent:** **** Dec. 3, 2019**

(54) **TOILET SEAT STICKER**

6,996,859 B1 * 2/2006 Alonso A47K 13/14
4/244.1
D831,179 S * 10/2018 Kelly D23/311

(71) Applicant: **Sheldon Maurice Ross**, Lubbock, TX
(US)

* cited by examiner

(72) Inventor: **Sheldon Maurice Ross**, Lubbock, TX
(US)

Primary Examiner — Robert A Delehanty
(74) *Attorney, Agent, or Firm* — Dunlap Bennett &
Ludwig PLLC

(**) Term: **15 Years**

(57) **CLAIM**

(21) Appl. No.: **29/664,405**

The ornamental design for a toilet seat sticker, as shown and described.

(22) Filed: **Sep. 25, 2018**

DESCRIPTION

(51) **LOC (12) Cl.** **23-02**

(52) **U.S. Cl.**
USPC **D23/311**

(58) **Field of Classification Search**
USPC D23/303, 309–312
CPC A47K 13/00; A47K 13/06; A47K 13/04
See application file for complete search history.

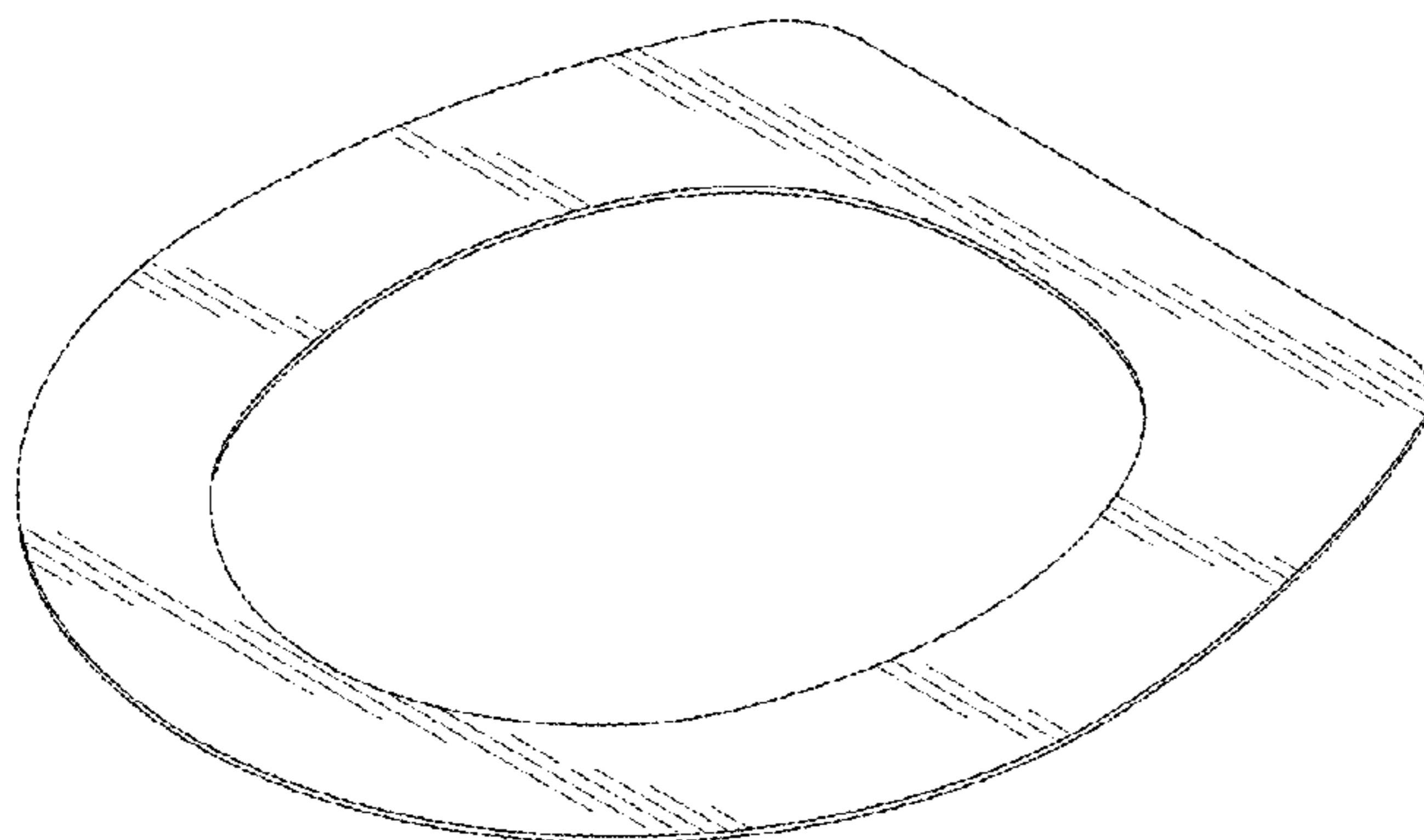
FIG. 1 is a front perspective view of a first embodiment toilet seat sticker, showing my new design;
FIG. 2 is a front elevation view of FIG. 1;
FIG. 3 is a top plan view of FIG. 1;
FIG. 4 is a rear elevation view of FIG. 1;
FIG. 5 is a right elevation view of FIG. 1, the left elevation view being a mirror image thereof;
FIG. 6 is a bottom plan view of FIG. 1;
FIG. 7 is a front perspective view of a second embodiment toilet seat sticker, showing my new design;
FIG. 8 is a front elevation view of FIG. 7;
FIG. 9 is a top plan view of FIG. 7;
FIG. 10 is a rear elevation view of FIG. 7;
FIG. 11 is a right elevation view of FIG. 7, the left elevation view being a mirror image thereof; and,
FIG. 12 is a bottom plan view of FIG. 7.

(56) **References Cited**

U.S. PATENT DOCUMENTS

1,429,490 A * 9/1922 Crayton A47K 13/16
4/244.3
1,524,250 A * 1/1925 Jedlicka A47K 13/16
4/245.3
4,649,575 A * 3/1987 Blair A47K 13/14
4/245.5
D333,701 S * 3/1993 Meeks D23/311

1 Claim, 4 Drawing Sheets



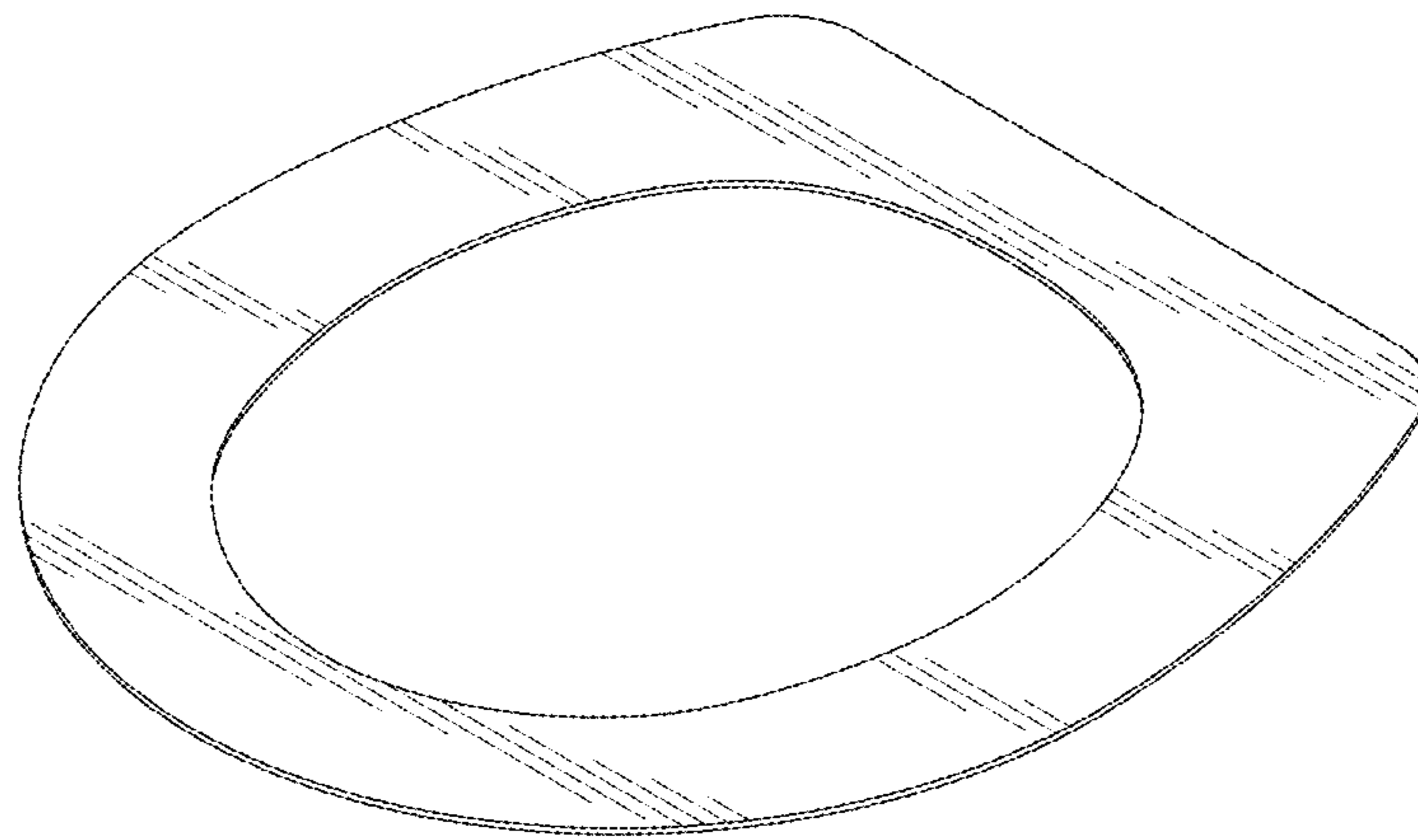
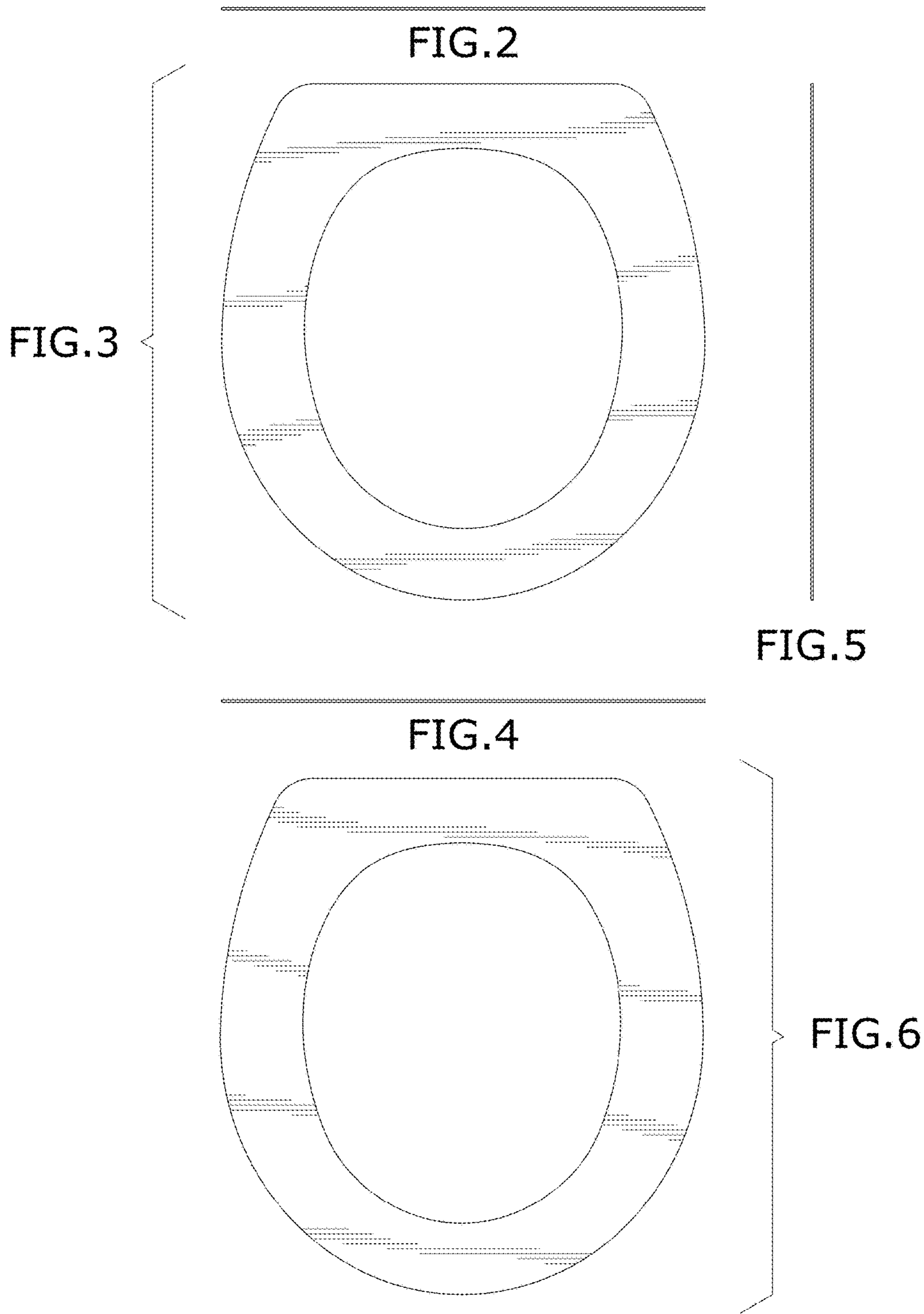


FIG.1



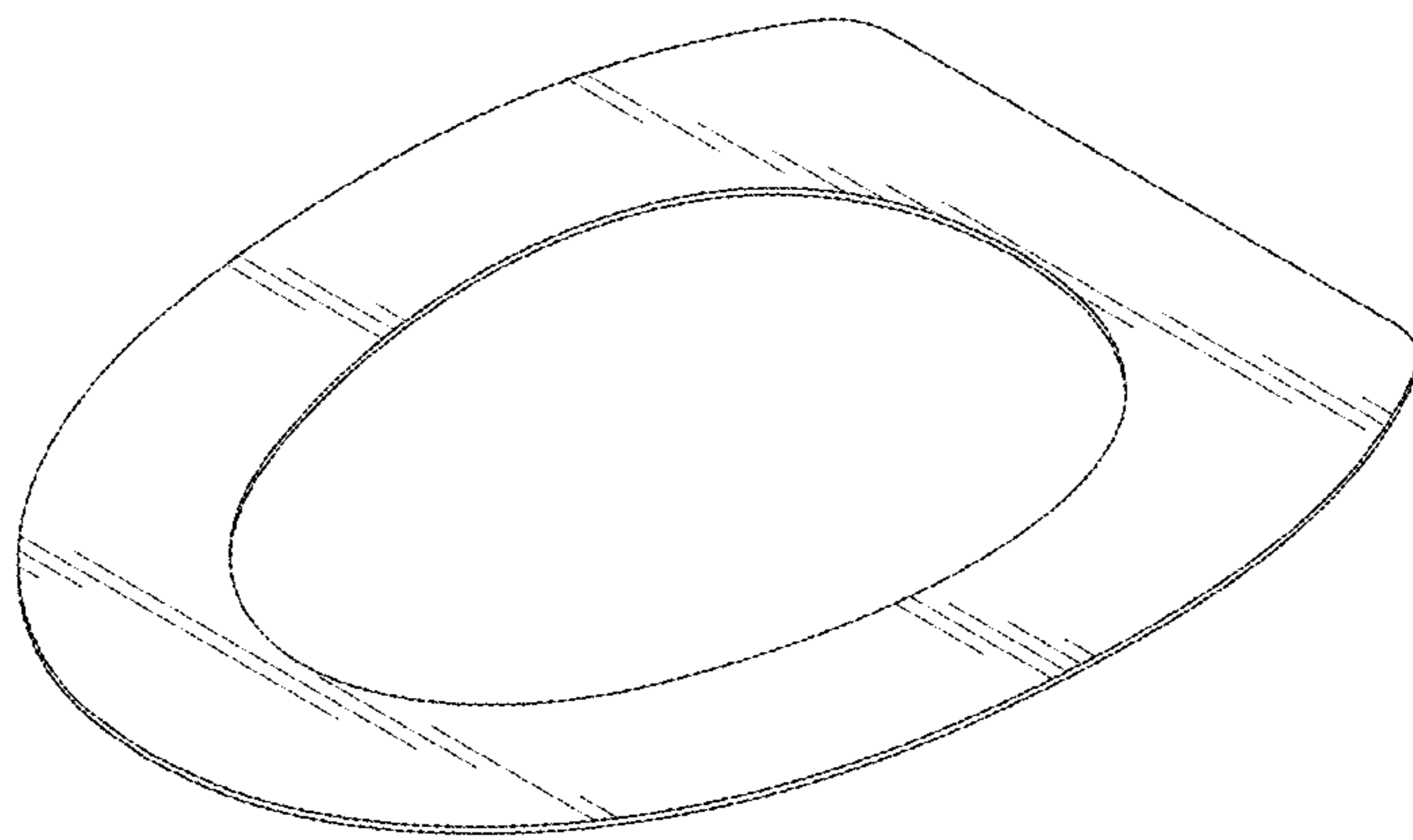


FIG. 7

