



US00D868946S

(12) **United States Design Patent**
Garland

(10) **Patent No.:** **US D868,946 S**

(45) **Date of Patent:** **** Dec. 3, 2019**

(54) **FAUCET HANDLE**

(71) Applicant: **DELTA FAUCET COMPANY,**
Indianapolis, IN (US)

(72) Inventor: **Celine Kwok Garland,** Zionsville, IN
(US)

(73) Assignee: **DELTA FAUCET COMPANY,**
Indianapolis, IN (US)

(**) Term: **15 Years**

(21) Appl. No.: **29/667,772**

(22) Filed: **Oct. 24, 2018**

(51) **LOC (12) Cl.** **23-01**

(52) **U.S. Cl.**
USPC **D23/253**

(58) **Field of Classification Search**
USPC D23/238–243, 249, 250, 254, 253, 245;
D8/300, 307–308
CPC F16K 31/60; F16K 31/602; F16K 31/605;
F16K 31/607
See application file for complete search history.

(56) **References Cited**

U.S. PATENT DOCUMENTS

D76,995 S * 11/1928 Frasier D23/254
D87,830 S * 9/1932 Ferguson D23/252

D405,162 S * 2/1999 Doughty D23/250
D460,160 S * 7/2002 Singtoroj D23/252
D542,385 S * 5/2007 Haug D23/254
D570,455 S * 6/2008 Dolan D23/250
D796,642 S * 9/2017 Andrew D23/253
D827,105 S * 8/2018 Garland D23/254

* cited by examiner

Primary Examiner — Robert A Delehanty

(74) *Attorney, Agent, or Firm* — Edgar A. Zarins; Nirav
D. Parikh

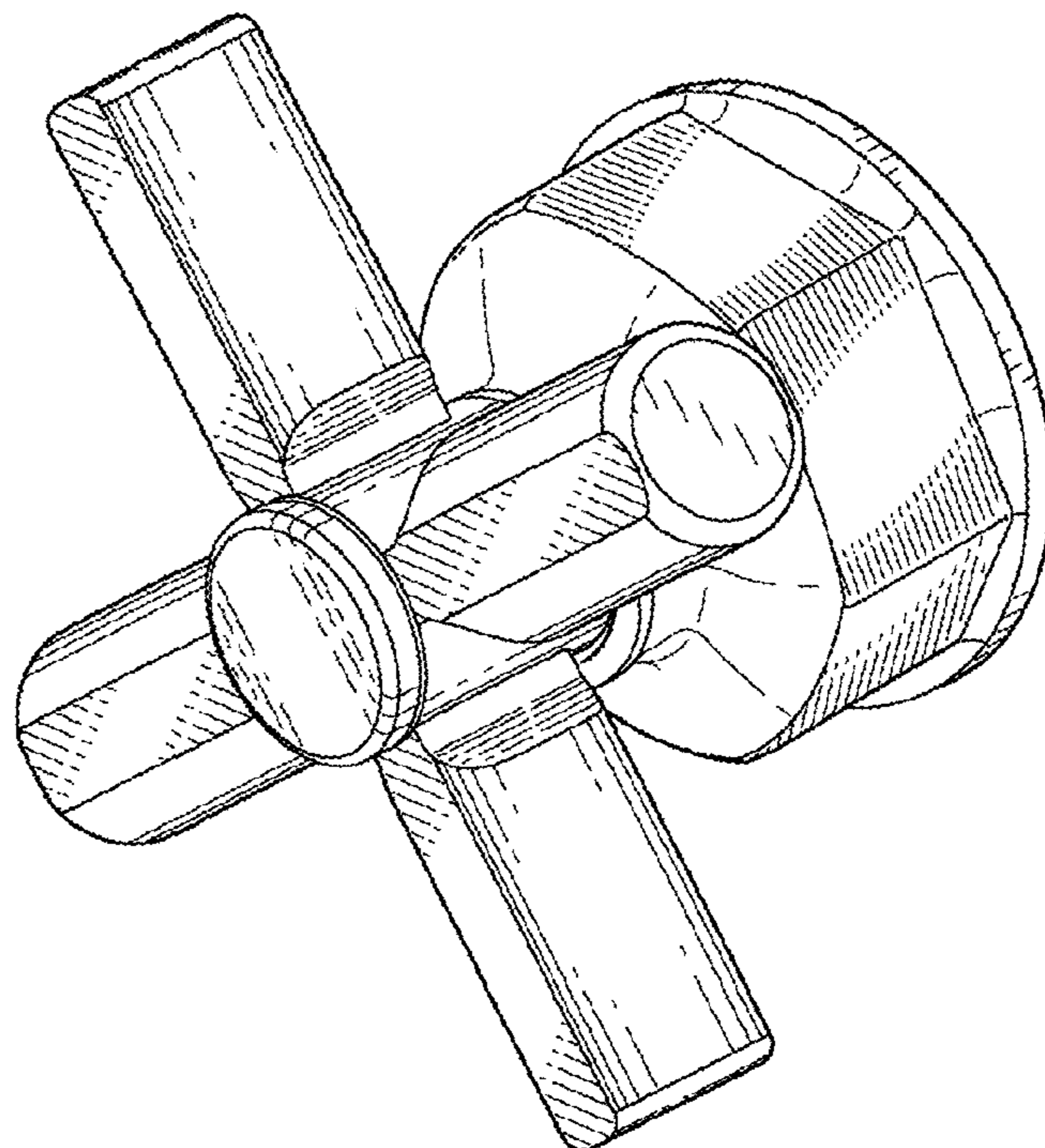
(57) **CLAIM**

The ornamental design for a faucet handle, as shown and described.

DESCRIPTION

FIG. 1 is a perspective view of a faucet handle showing my new design;
FIG. 2 is a front elevational view thereof;
FIG. 3 is a side view thereof; and,
FIG. 4 is a rear view thereof.
The broken-line disclosure in the view represents a portion of the faucet handle in which the claimed design is embodied, but which forms no part of the claimed design.

1 Claim, 2 Drawing Sheets



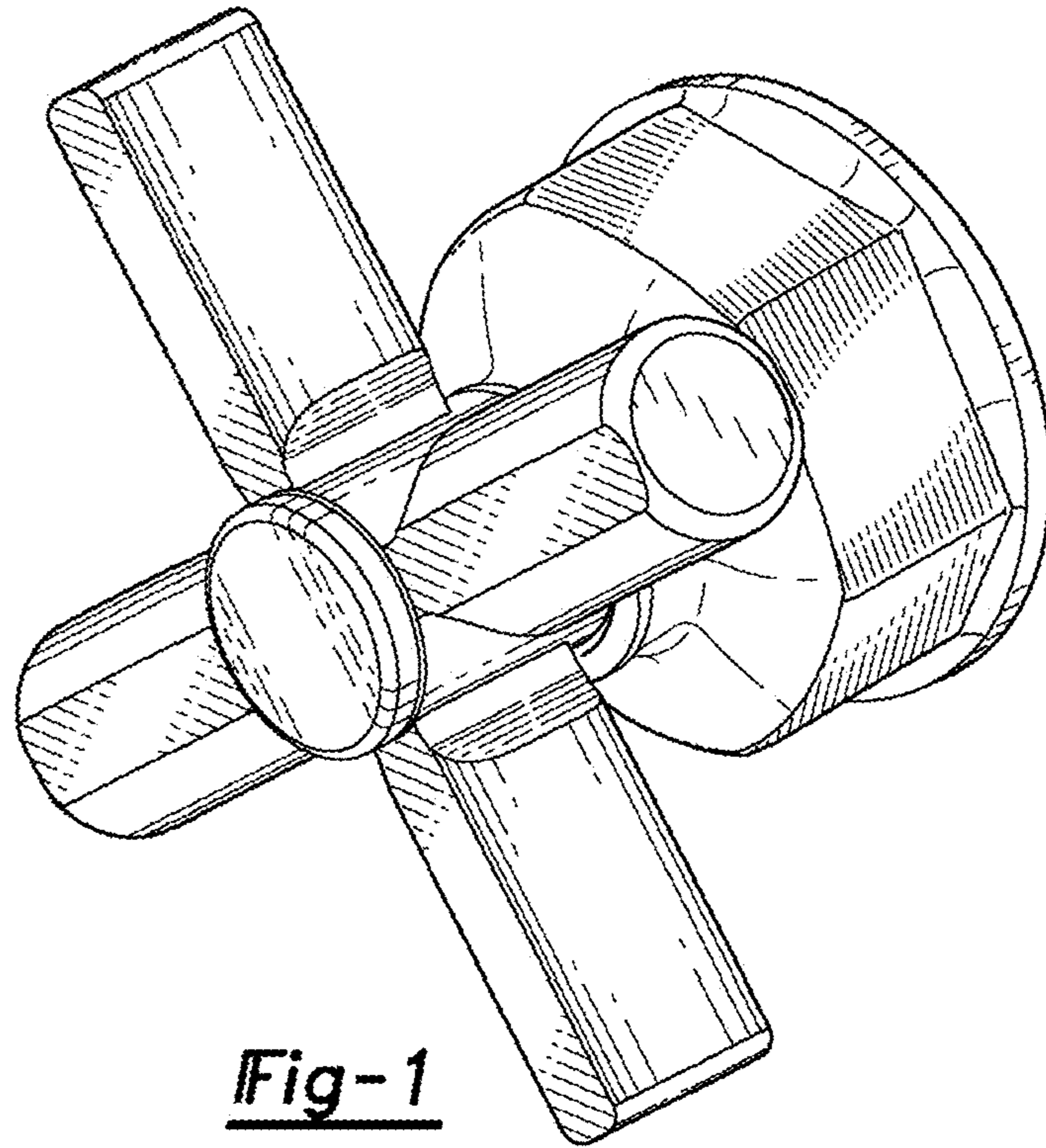


Fig-1

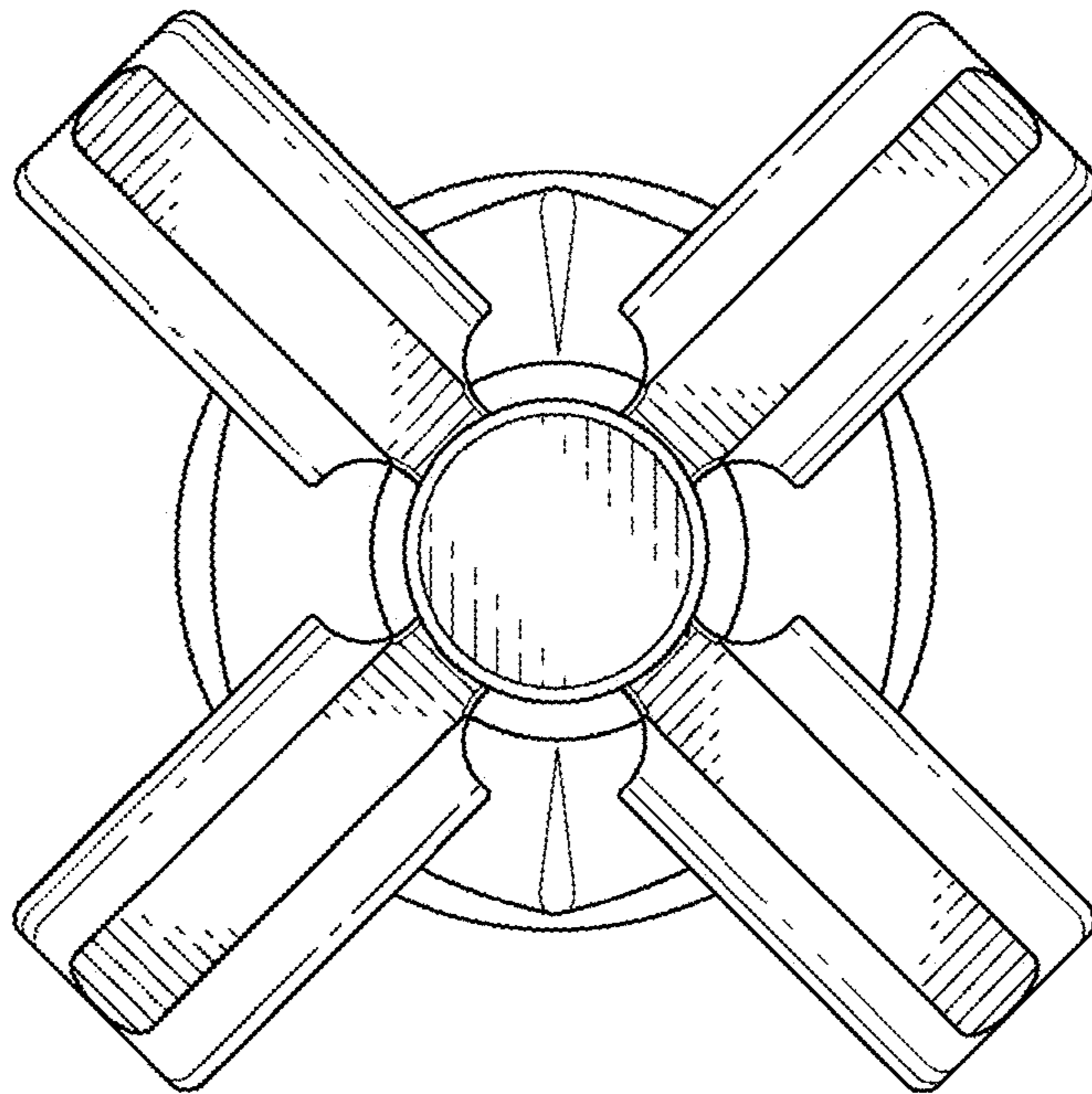


Fig-2

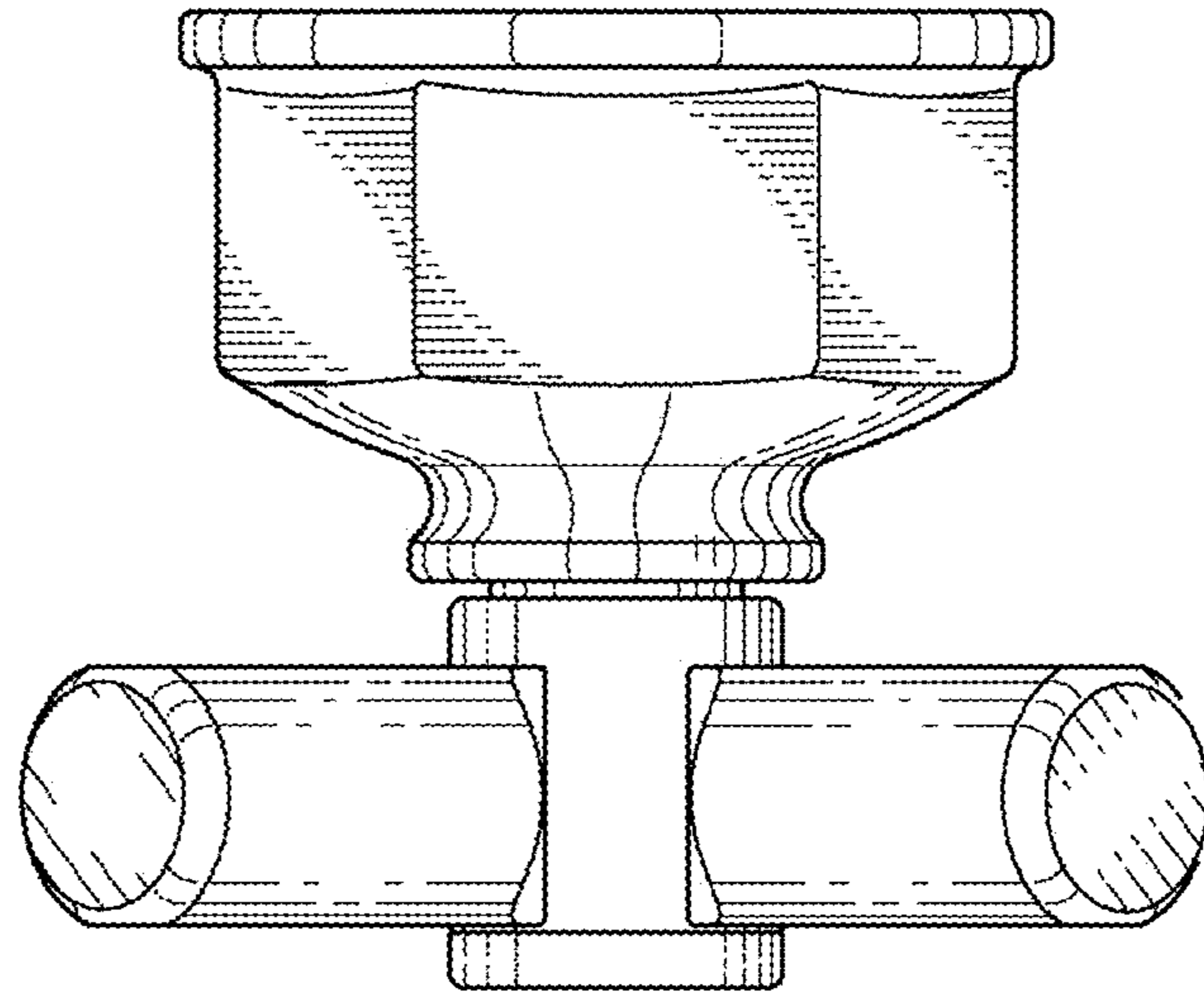


Fig-3

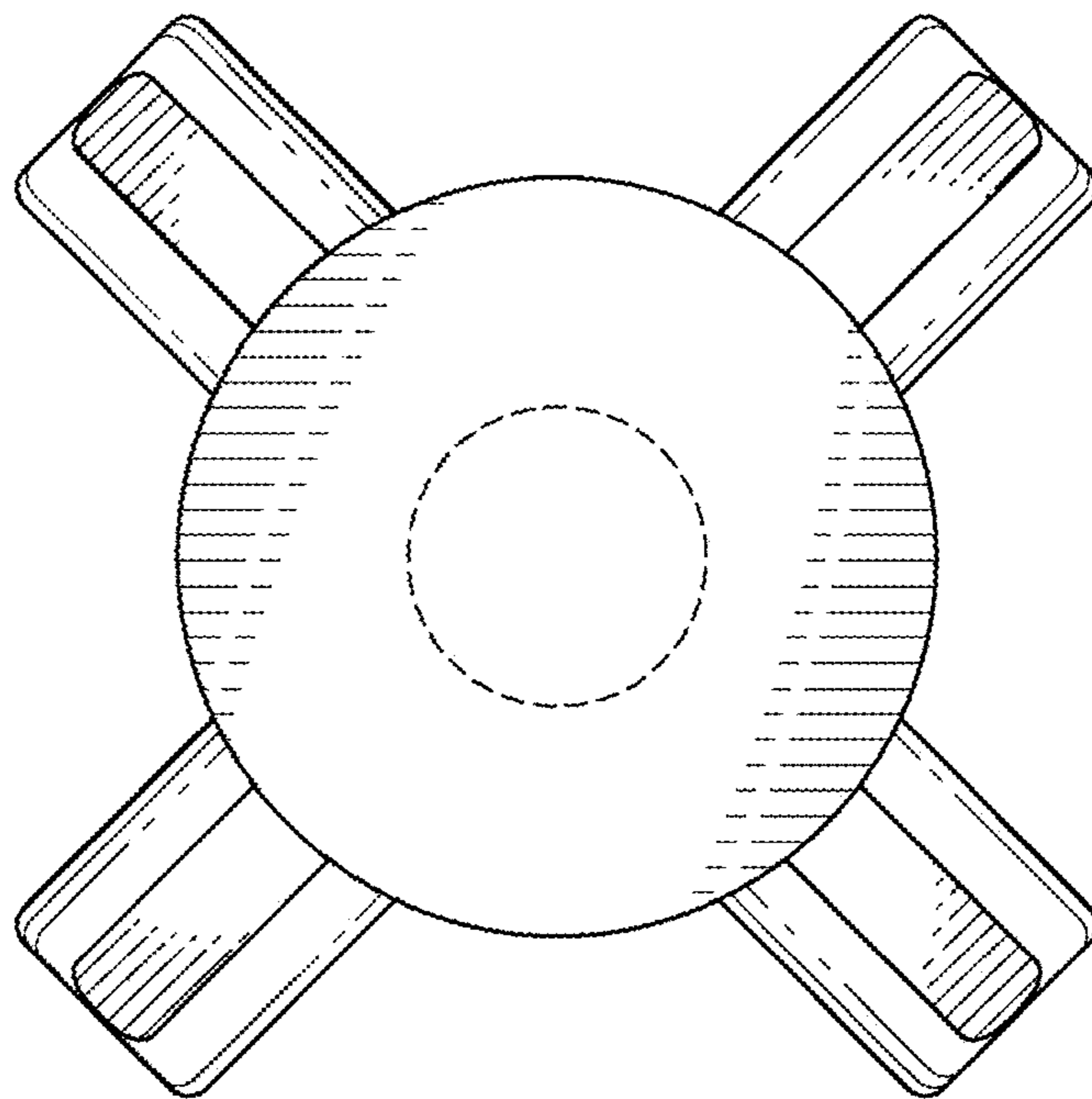


Fig-4