

US00D868945S

(12) **United States Design Patent**
Garland

(10) **Patent No.:** **US D868,945 S**

(45) **Date of Patent:** **** Dec. 3, 2019**

(54) **VALVE**

(71) Applicant: **DELTA FAUCET COMPANY,**
Indianapolis, IN (US)

(72) Inventor: **Celine Kwok Garland,** Zionsville, IN
(US)

(73) Assignee: **DELTA FAUCET COMPANY,**
Indianapolis, IN (US)

(**) Term: **15 Years**

(21) Appl. No.: **29/667,779**

(22) Filed: **Oct. 24, 2018**

(51) **LOC (12) Cl.** **23-01**

(52) **U.S. Cl.**
USPC **D23/252**

(58) **Field of Classification Search**
USPC D23/238–243, 249, 250, 254, 252, 245;
D8/300, 307–308
CPC F16K 31/60; F16K 31/602; F16K 31/605;
F16K 31/607
See application file for complete search history.

(56) **References Cited**

U.S. PATENT DOCUMENTS

691,569 A * 1/1902 Pohlman F16K 31/602
251/246
D87,830 S * 9/1932 Ferguson D23/252

D405,162 S * 2/1999 Doughty D23/250
D570,455 S * 6/2008 Dolan D23/250
D581,020 S * 11/2008 Dolan D23/250
D596,713 S * 7/2009 Haug D23/252
D828,519 S * 9/2018 Garland D23/254

* cited by examiner

Primary Examiner — Robert A Delehanty

(74) *Attorney, Agent, or Firm* — Edgar A. Zarins; Nirav
D. Parikh

(57) **CLAIM**

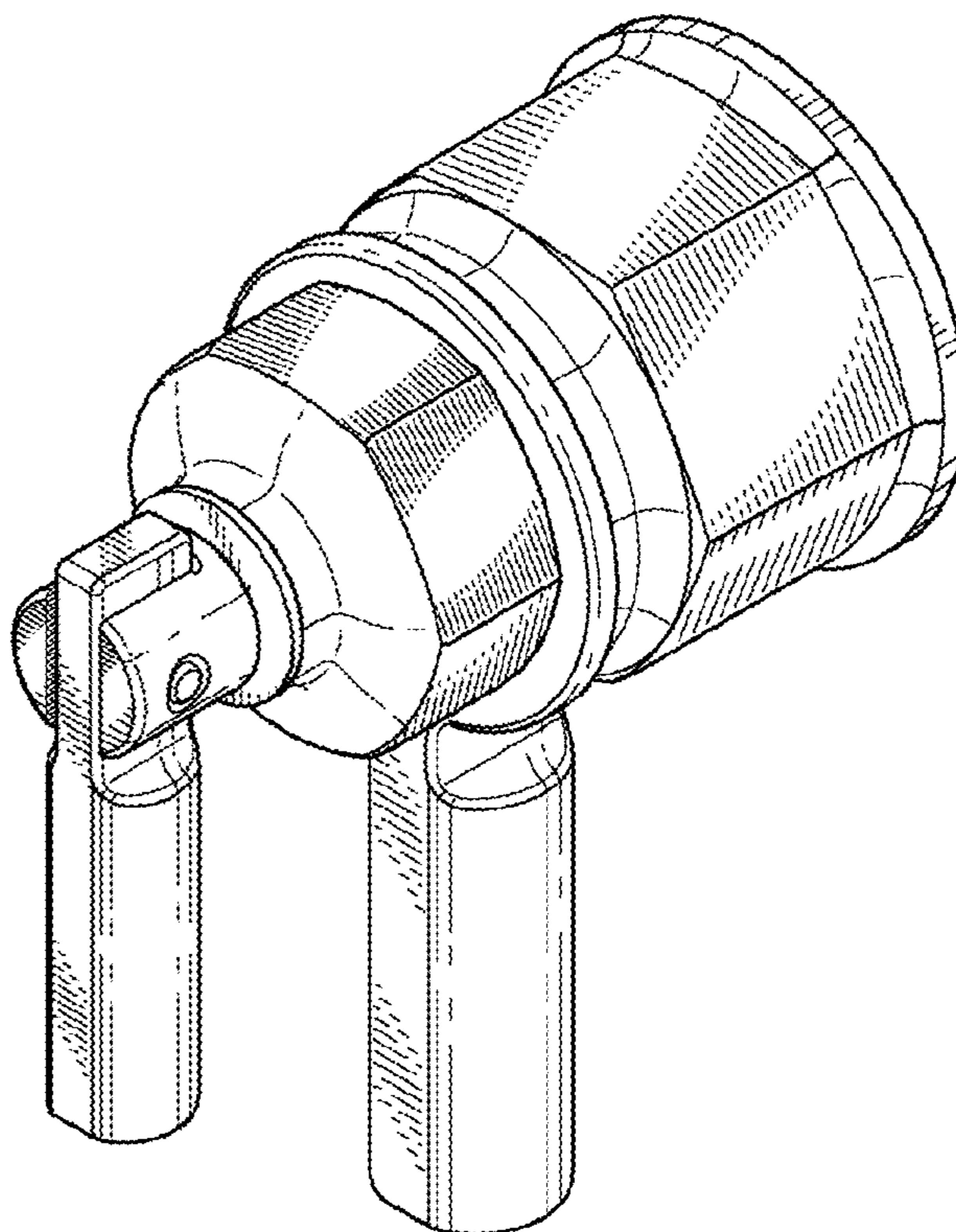
The ornamental design for a valve, as shown and described.

DESCRIPTION

FIG. 1 is a perspective view of a valve showing my new design;
FIG. 2 is a front elevational view thereof;
FIG. 3 is a rear view thereof;
FIG. 4 is a top plan view thereof;
FIG. 5 is a left side view thereof, the opposite side being a mirror image of the side shown; and,
FIG. 6 is a bottom view thereof.

The broken-line disclosure in the view represents a portion of the valve in which the claimed design is embodied, but which forms no part of the claimed design.

1 Claim, 2 Drawing Sheets



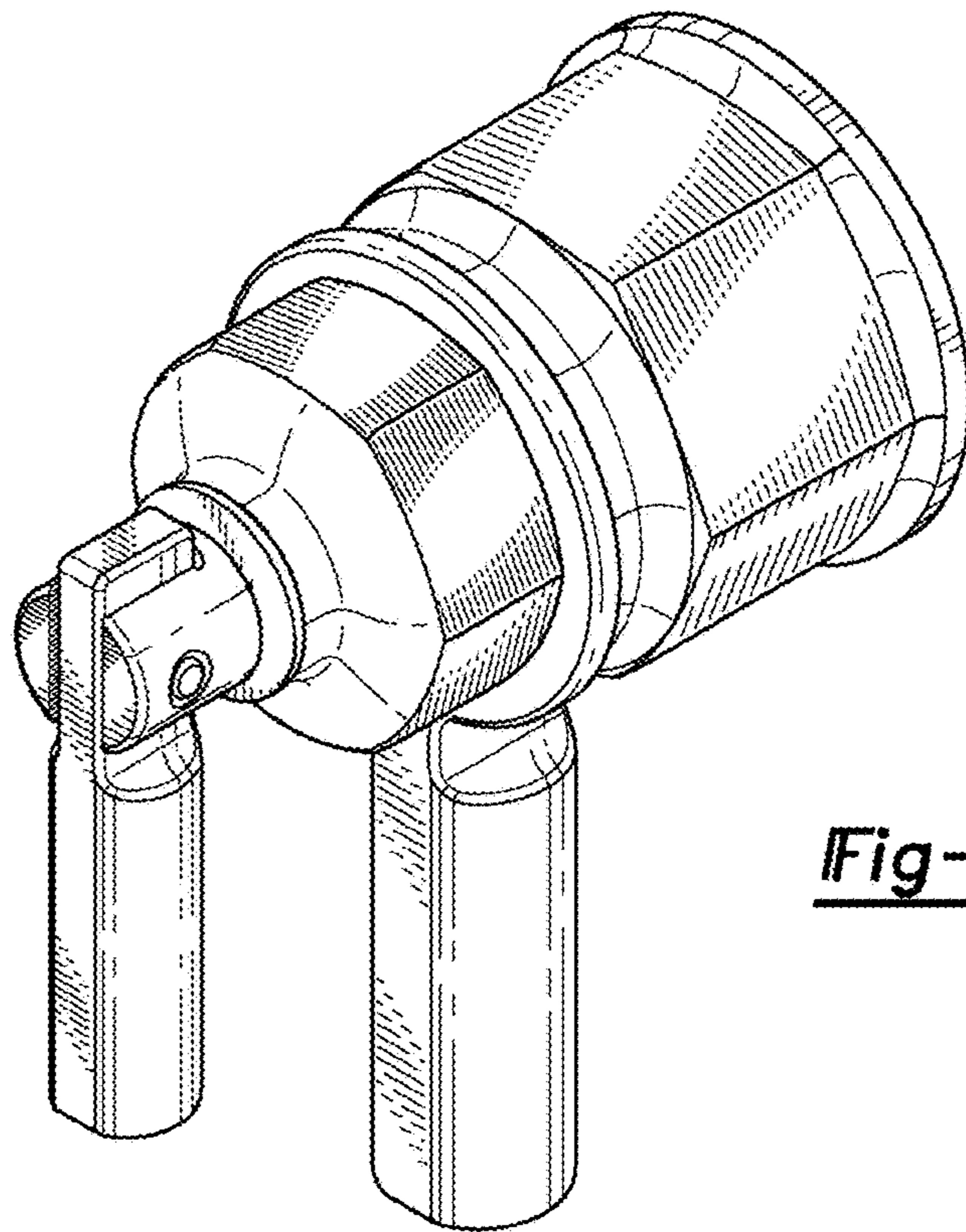


Fig-1

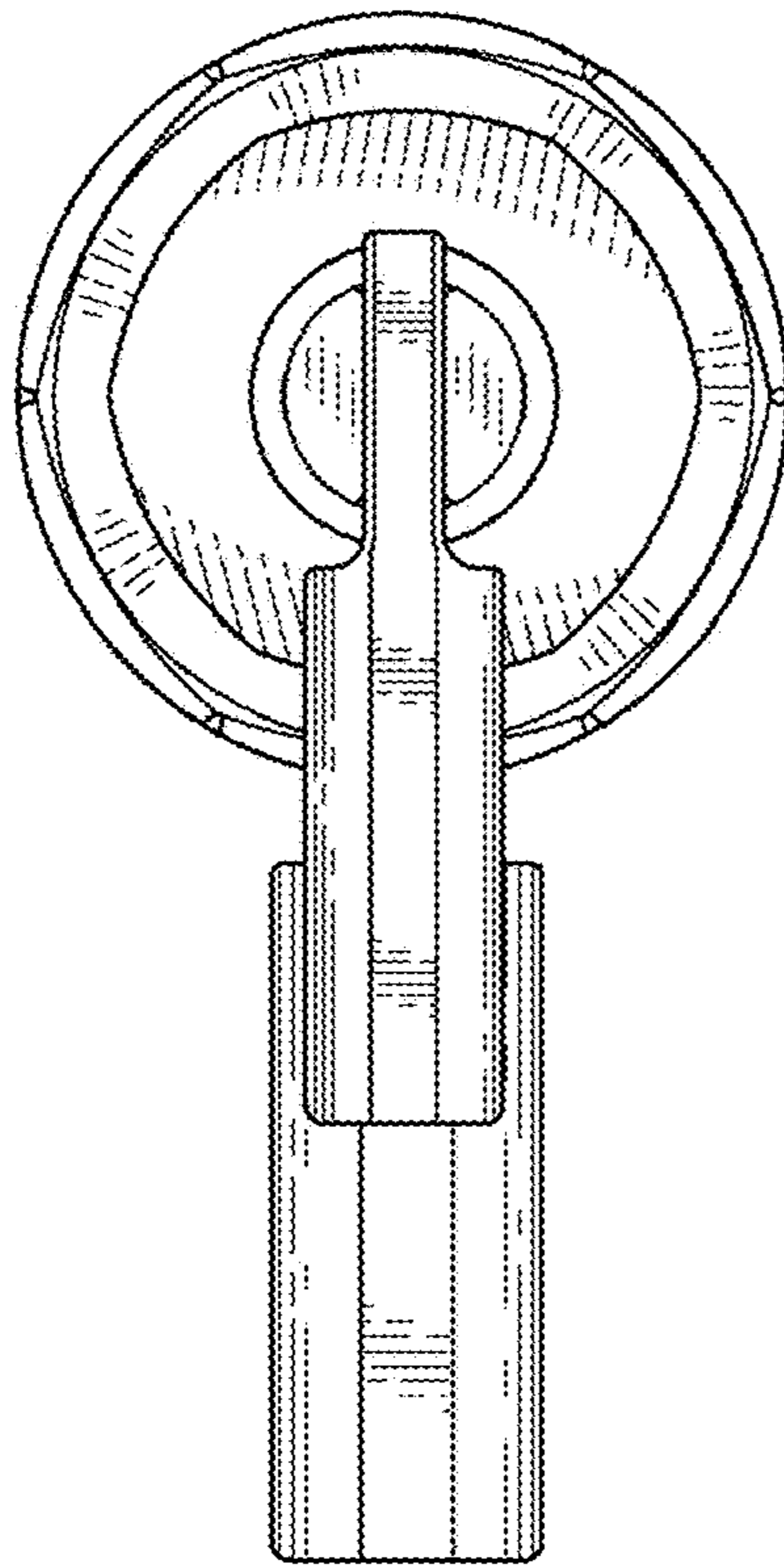


Fig-2

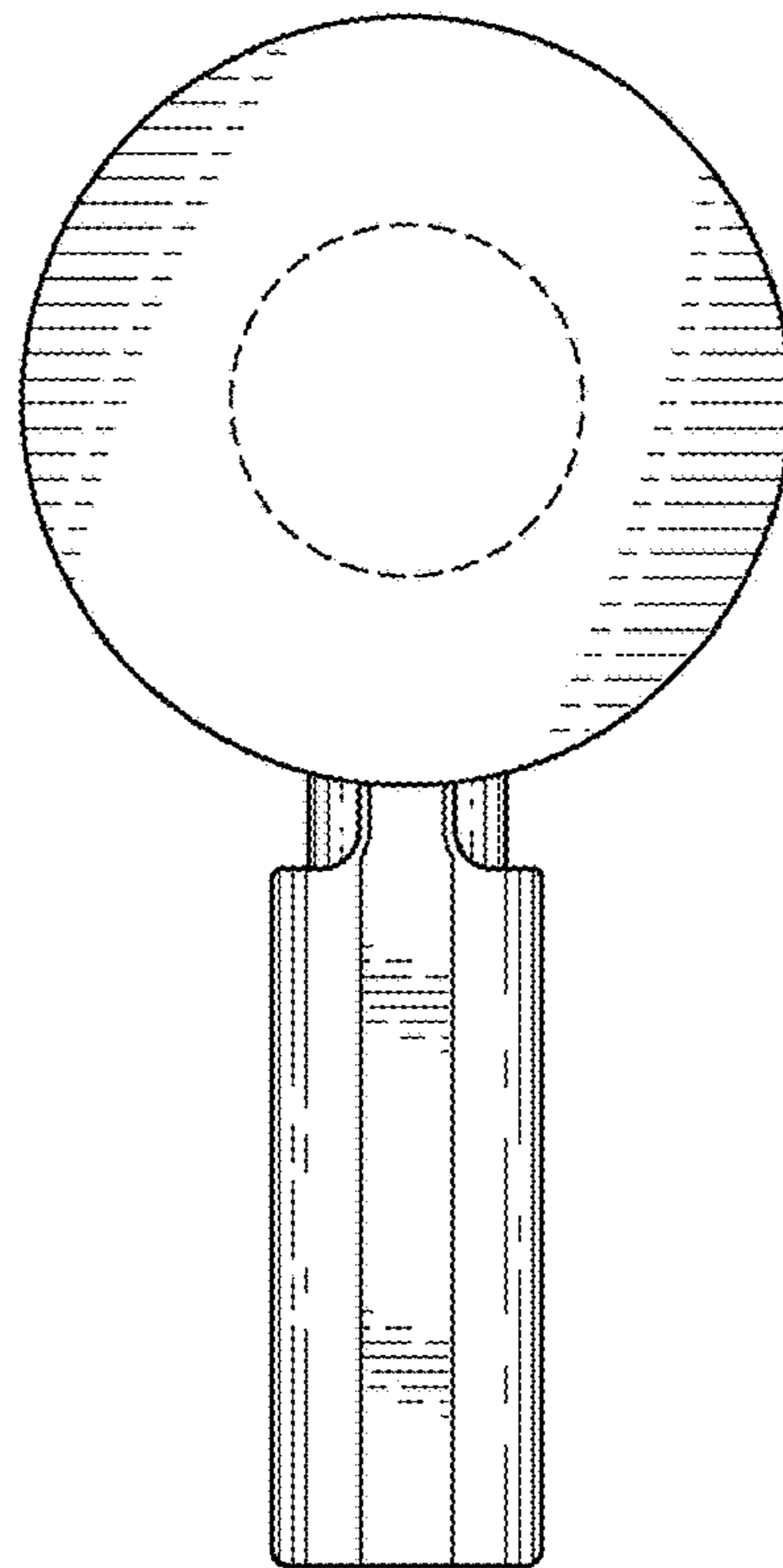


Fig-3

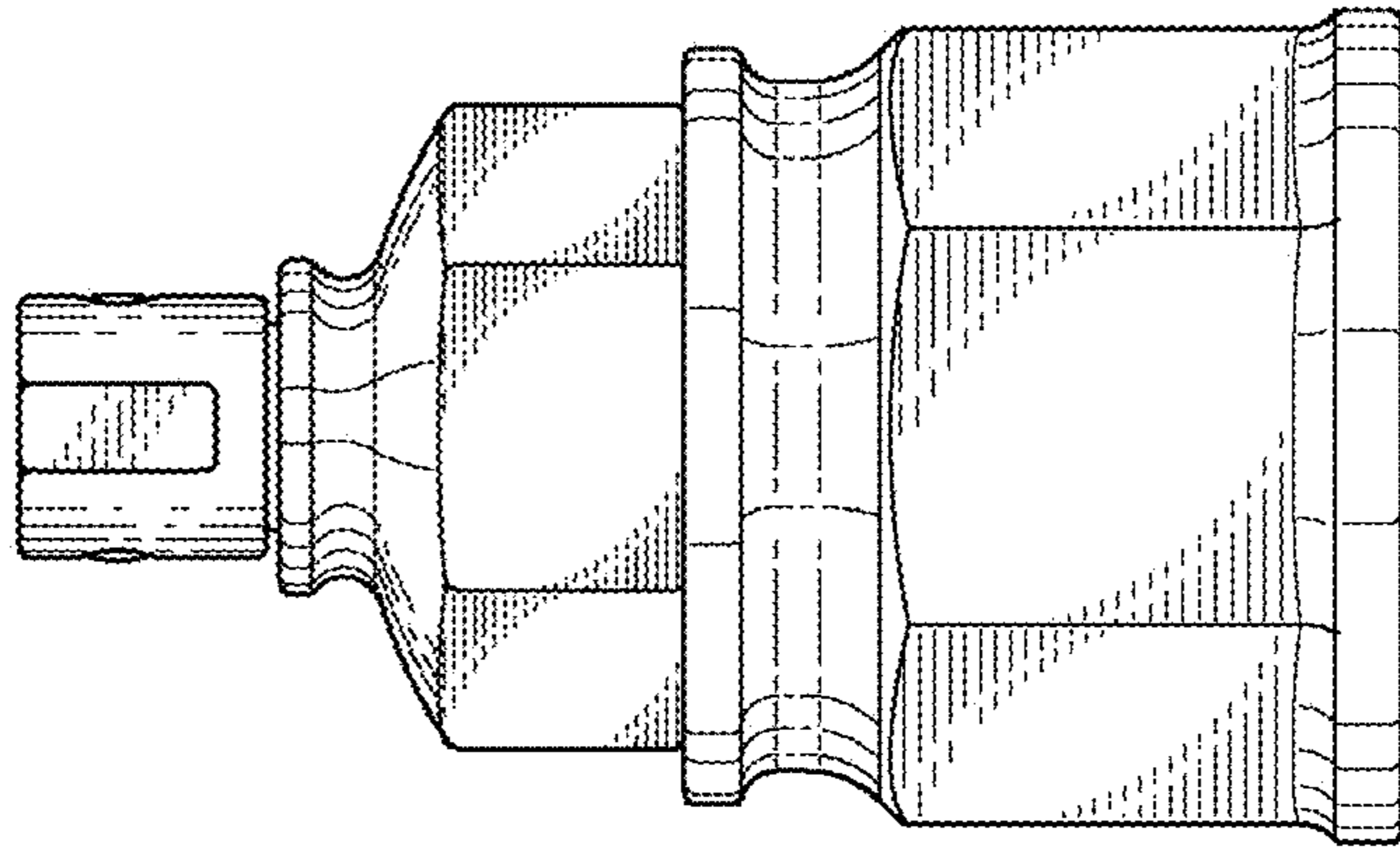


Fig-4

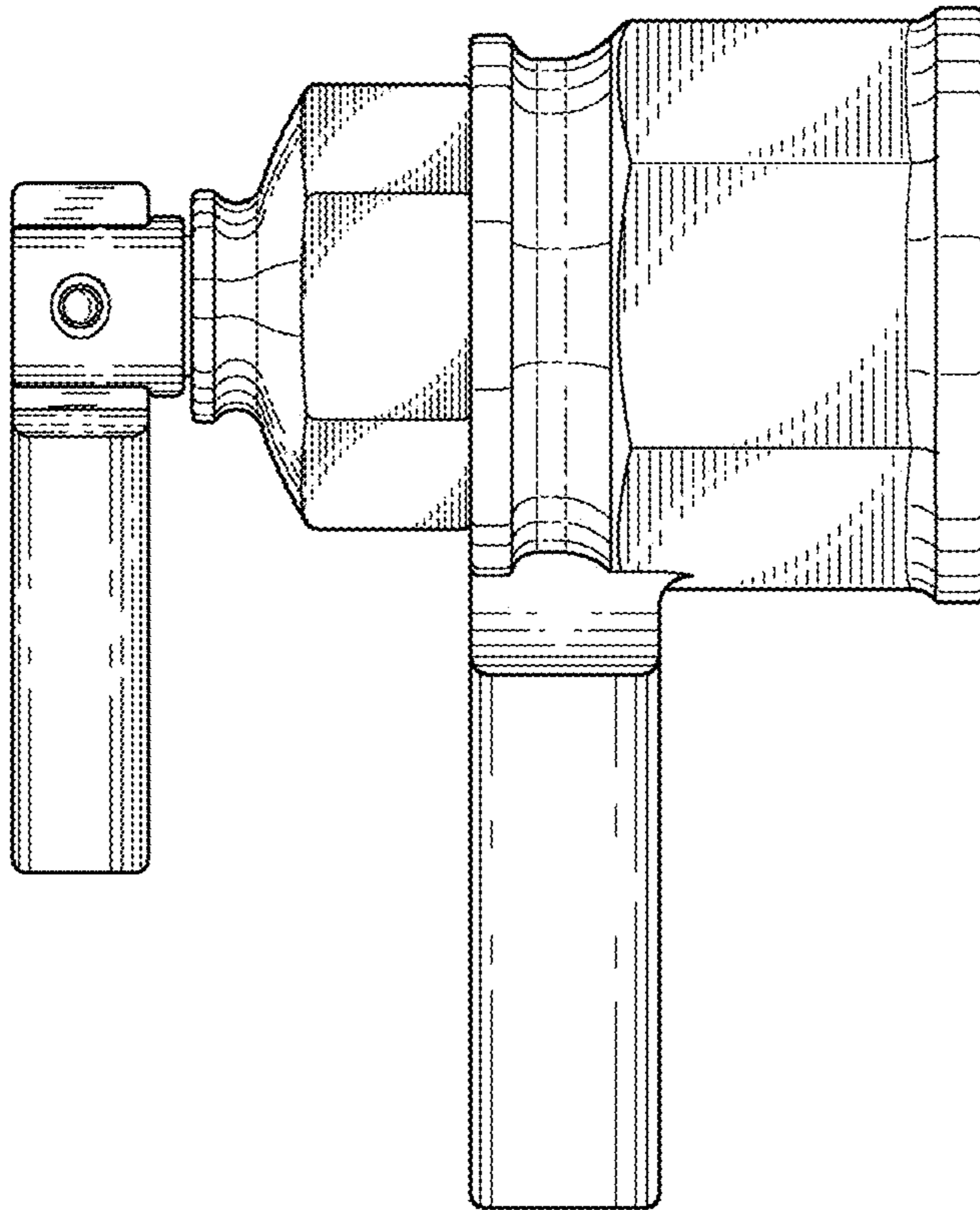


Fig-5

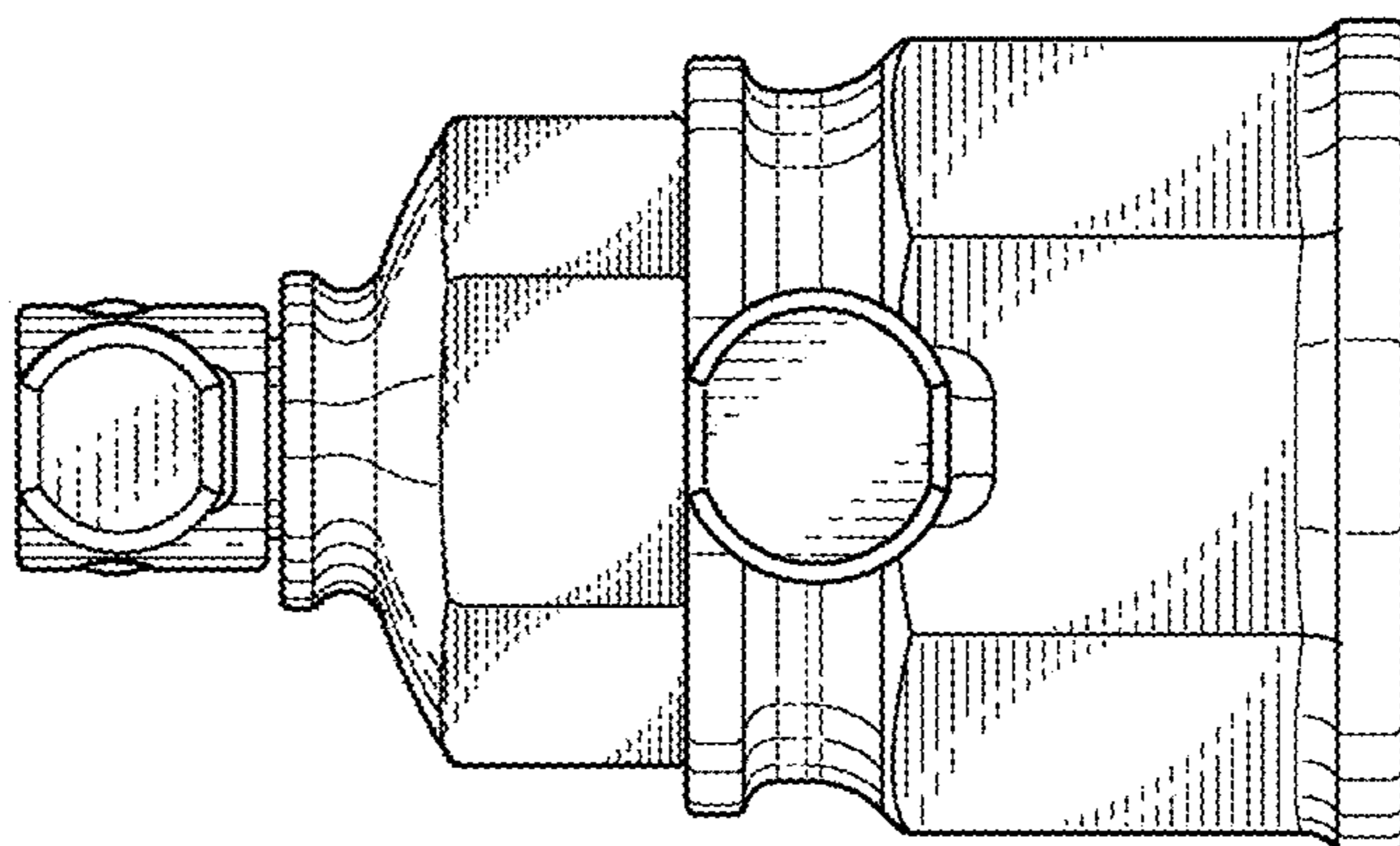


Fig-6