



US00D868943S

(12) **United States Design Patent**  
**Fritz et al.**

(10) **Patent No.:** **US D868,943 S**

(45) **Date of Patent:** **\*\* Dec. 3, 2019**

(54) **FAUCET HANDLE**

(71) Applicant: **DELTA FAUCET COMPANY,**  
Indianapolis, IN (US)

(72) Inventors: **Seth Fritz,** Carmel, IN (US); **Celine Kwok Garland,** Zionsville, IN (US)

(73) Assignee: **DELTA FAUCET COMPANY,**  
Indianapolis, IN (US)

(\*\*) Term: **15 Years**

(21) Appl. No.: **29/641,321**

(22) Filed: **Mar. 21, 2018**

(51) **LOC (12) Cl.** ..... **23-01**

(52) **U.S. Cl.**  
USPC ..... **D23/252**

(58) **Field of Classification Search**  
USPC ..... D23/238–243, 249, 250–255, 257, 309;  
D8/300, 307, 308  
CPC .... Y10T 137/9464; E03C 1/04; E03C 1/0412  
See application file for complete search history.

(56) **References Cited**

**U.S. PATENT DOCUMENTS**

D105,254 S \* 7/1937 Zinkil ..... D23/250  
D298,411 S \* 11/1988 Castiglioni ..... D8/301

D315,087 S \* 3/1991 Jans ..... D8/308  
D479,583 S \* 9/2003 Citterio ..... D23/241  
D512,487 S \* 12/2005 Kulig ..... D23/252  
D524,918 S \* 7/2006 Barry ..... D23/249  
D609,309 S \* 2/2010 Fritz ..... D23/252  
D770,597 S \* 11/2016 Eads ..... D23/252

\* cited by examiner

*Primary Examiner* — Sheryl Lane

*Assistant Examiner* — Samantha N Wood

(74) *Attorney, Agent, or Firm* — Edgar A. Zarins; Nirav D. Parikh

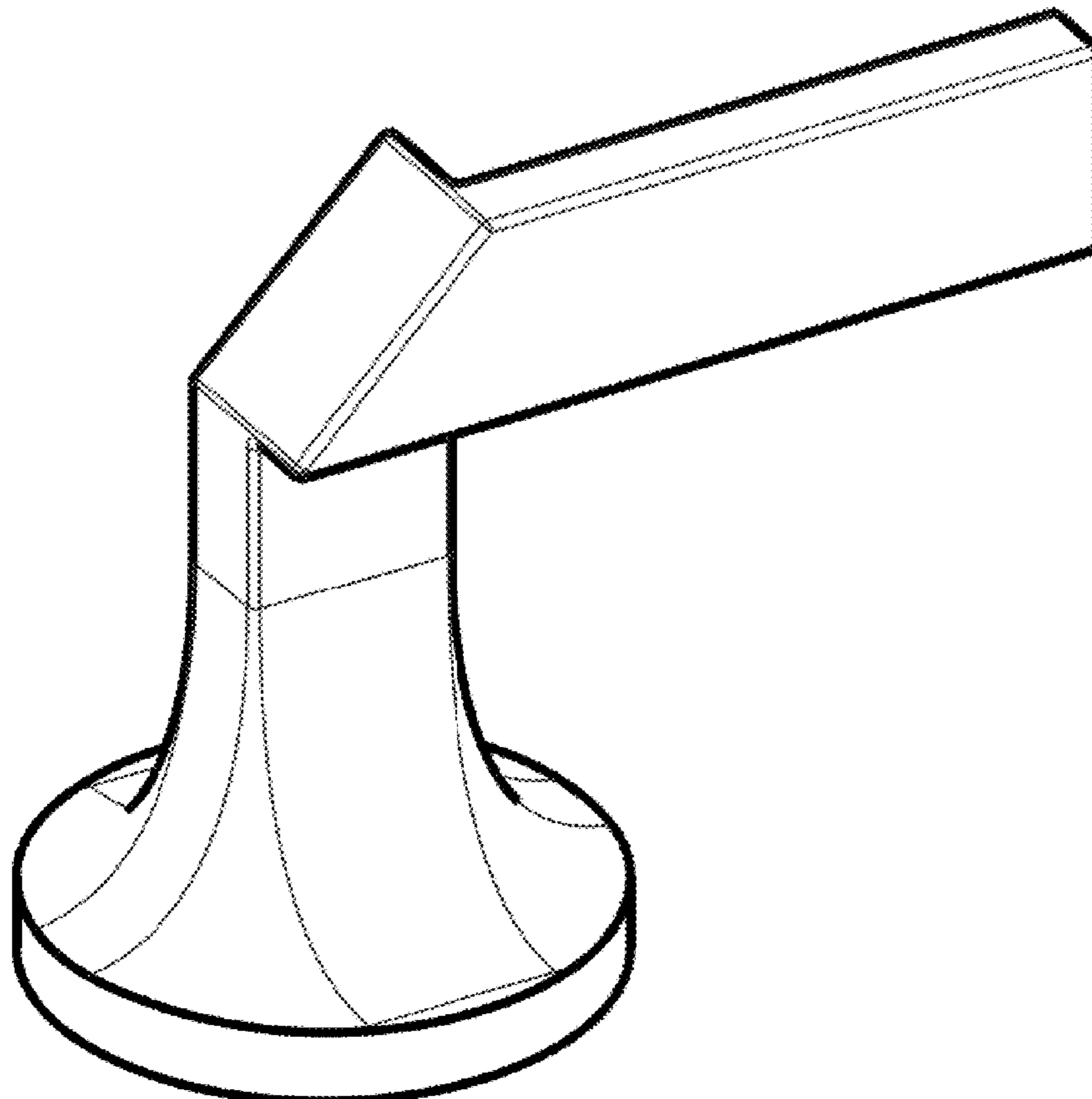
(57) **CLAIM**

The ornamental design for a faucet handle, as shown and described.

**DESCRIPTION**

FIG. 1 is a first perspective view of a faucet handle showing our new design;  
FIG. 2 is a second perspective view thereof;  
FIG. 3 is a front view thereof;  
FIG. 4 is a left side view thereof;  
FIG. 5 is a rear view thereof;  
FIG. 6 is a right side view thereof;  
FIG. 7 is a top plan view thereof; and,  
FIG. 8 is a bottom plan view thereof.

**1 Claim, 4 Drawing Sheets**



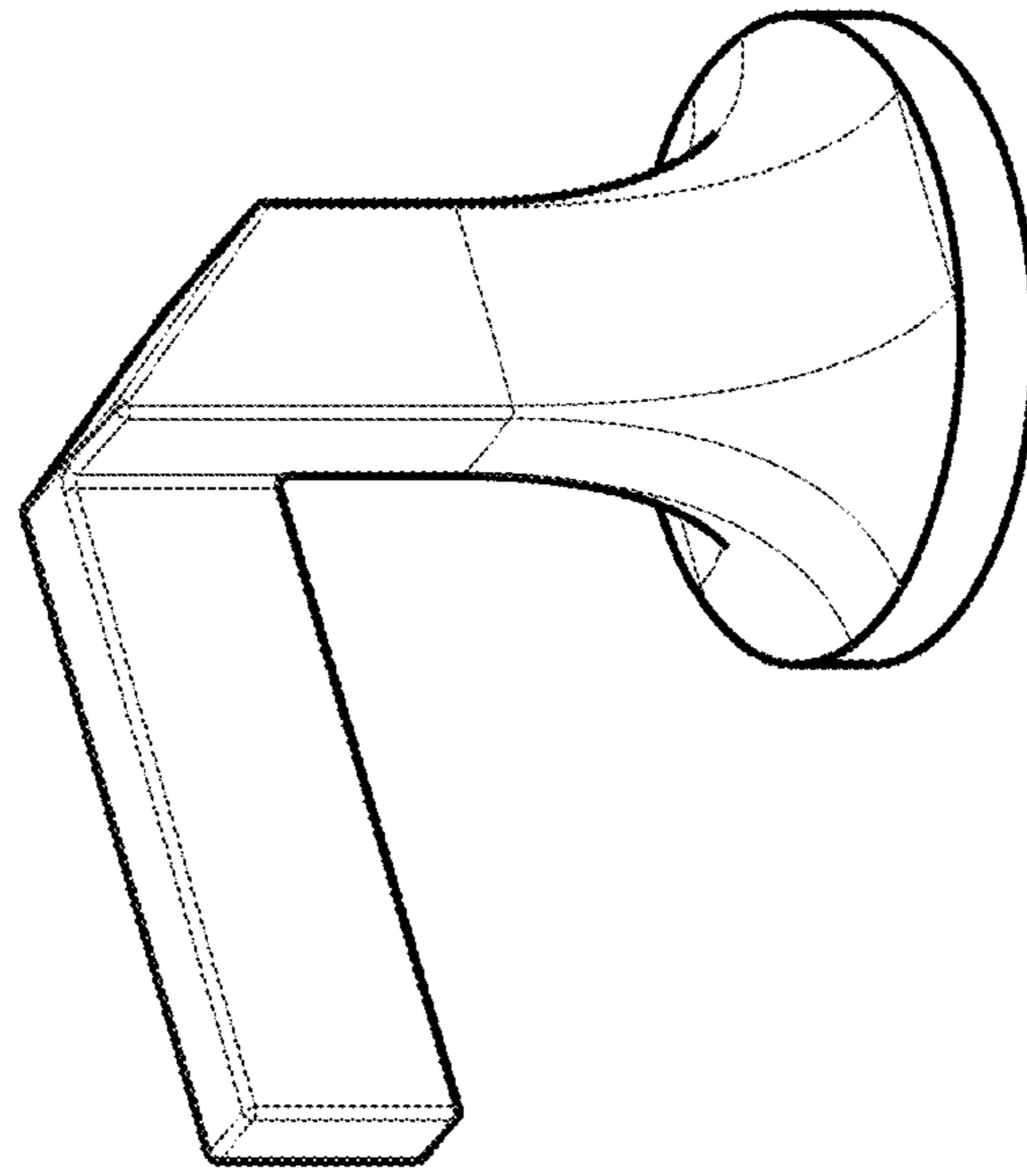


Fig. 2

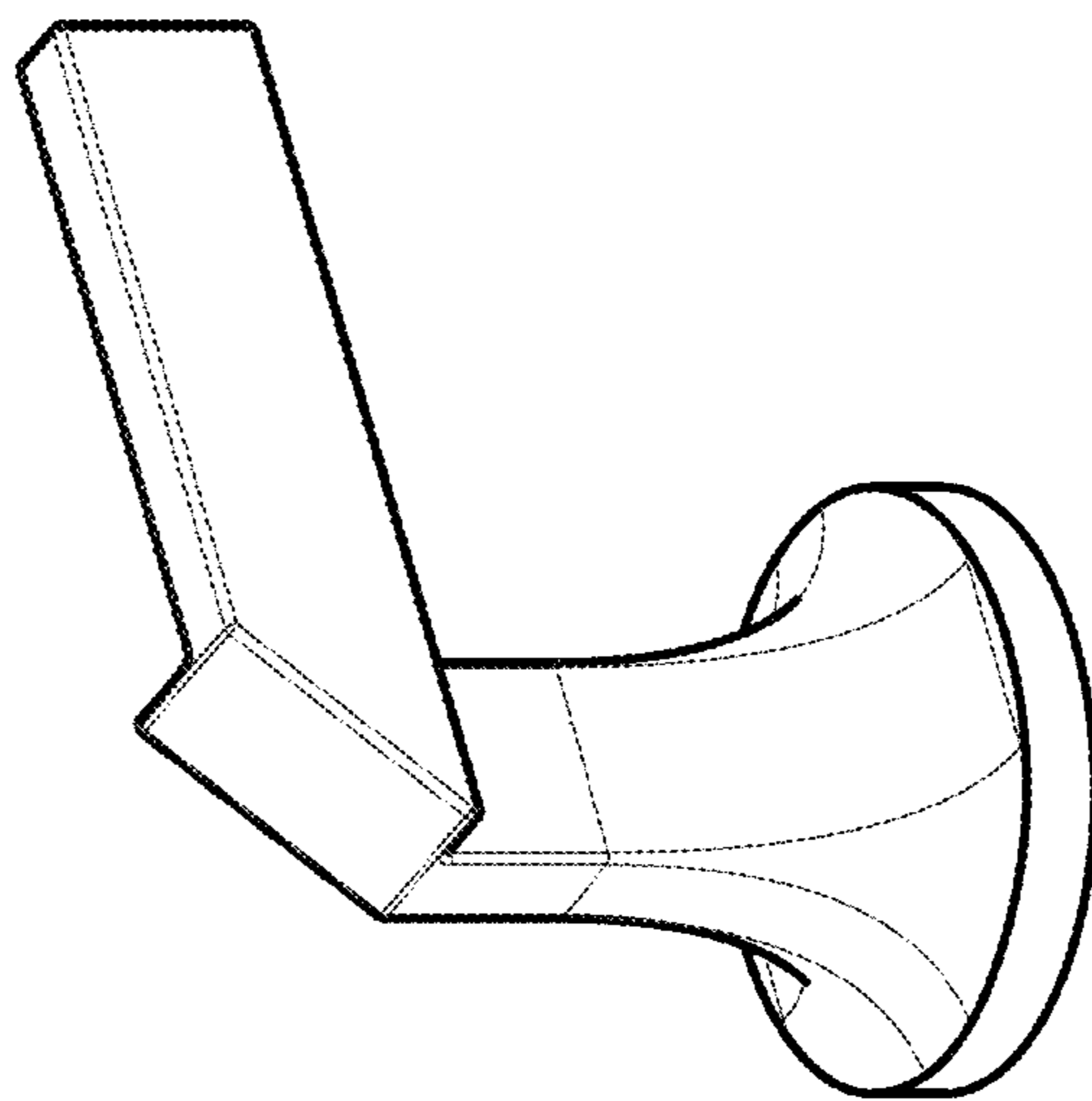


Fig. 1

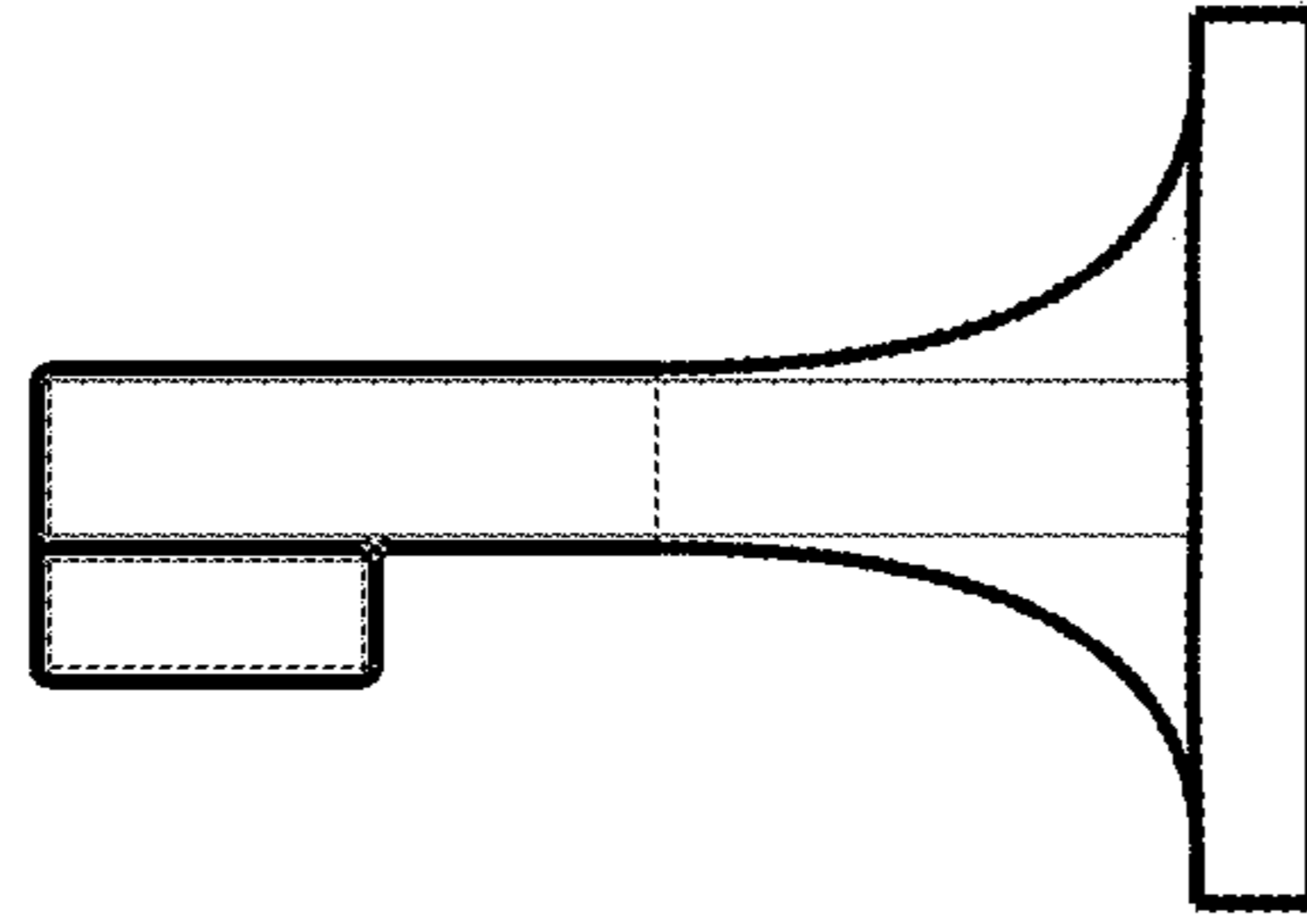


Fig. 4

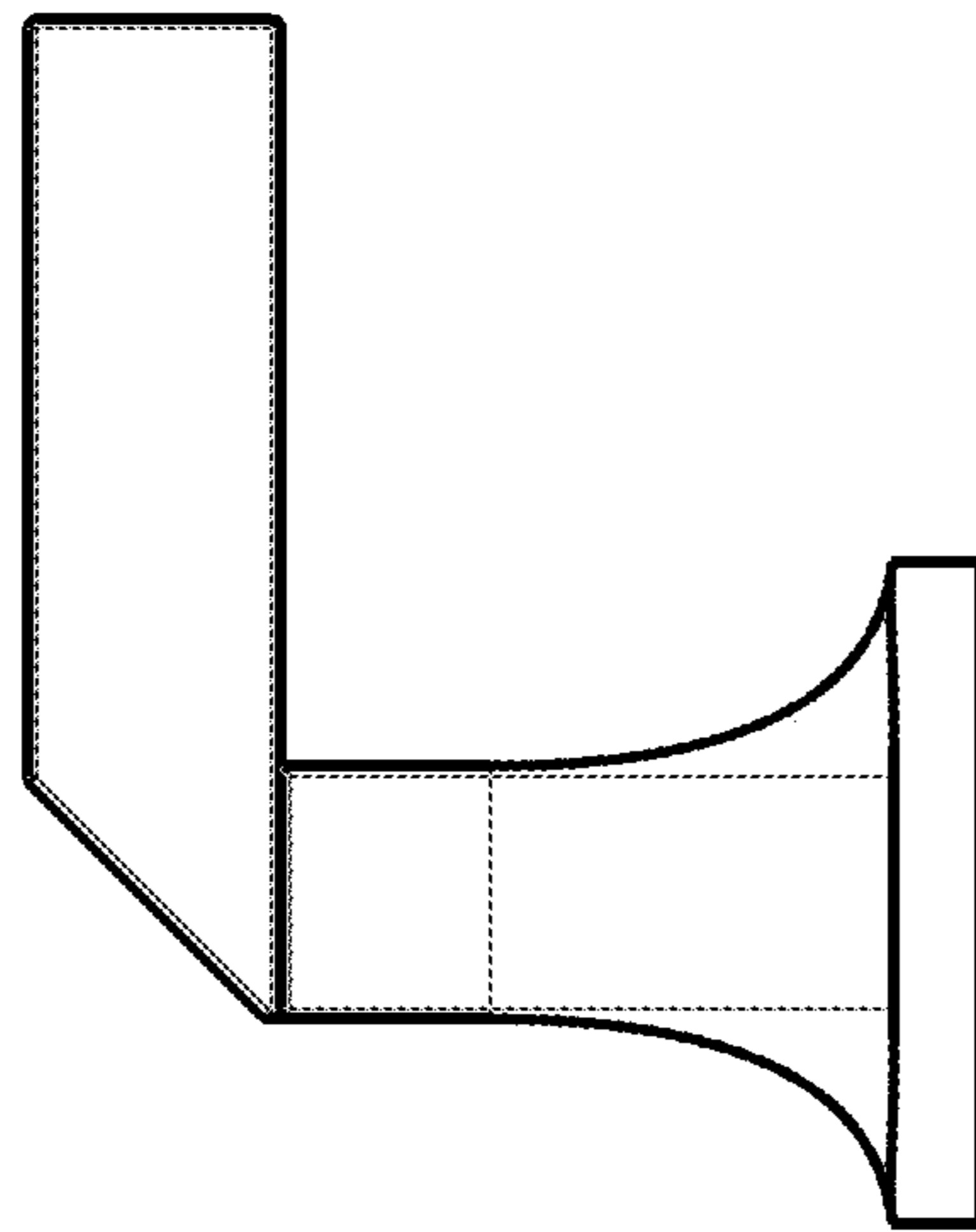


Fig. 3

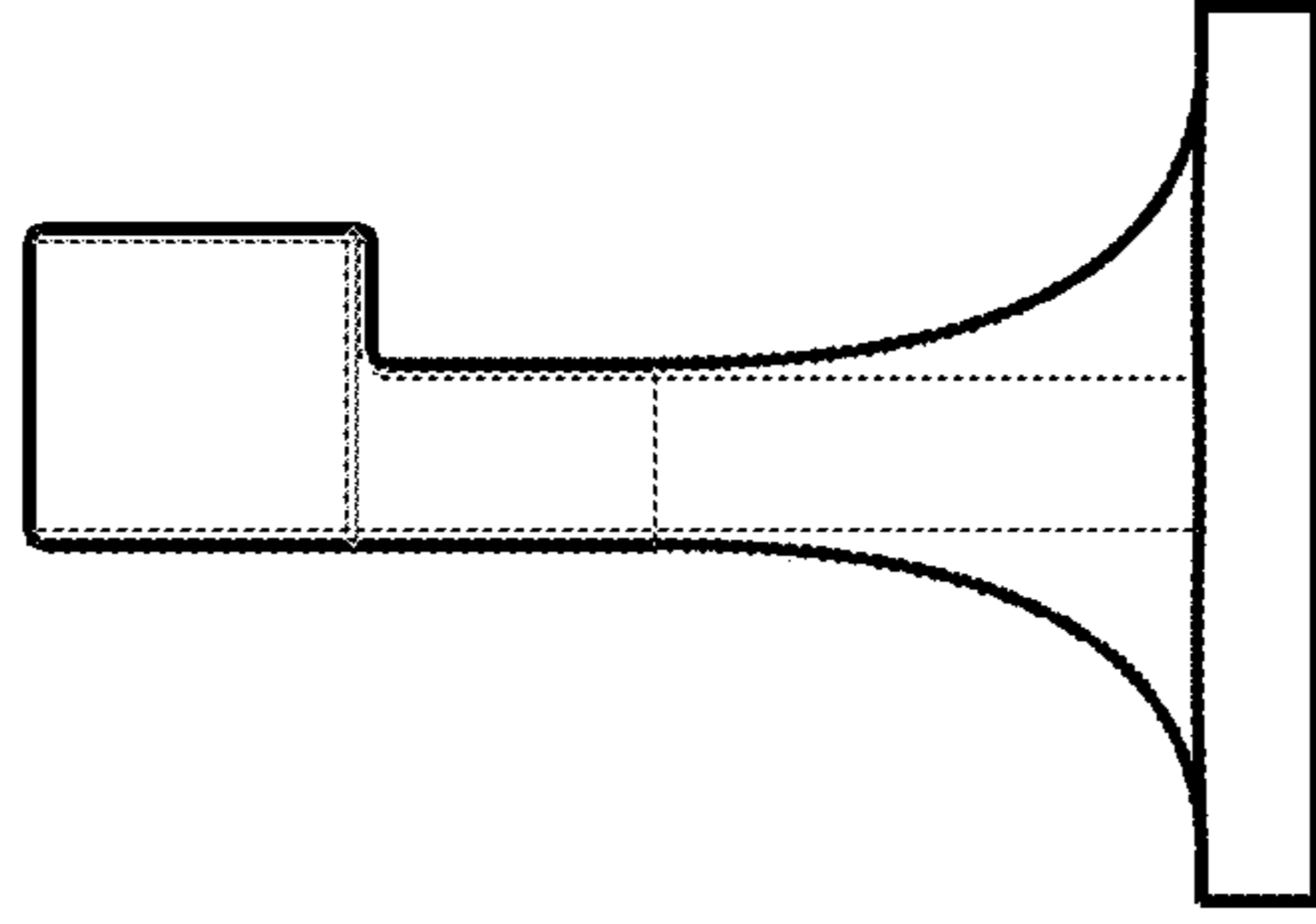


Fig. 5

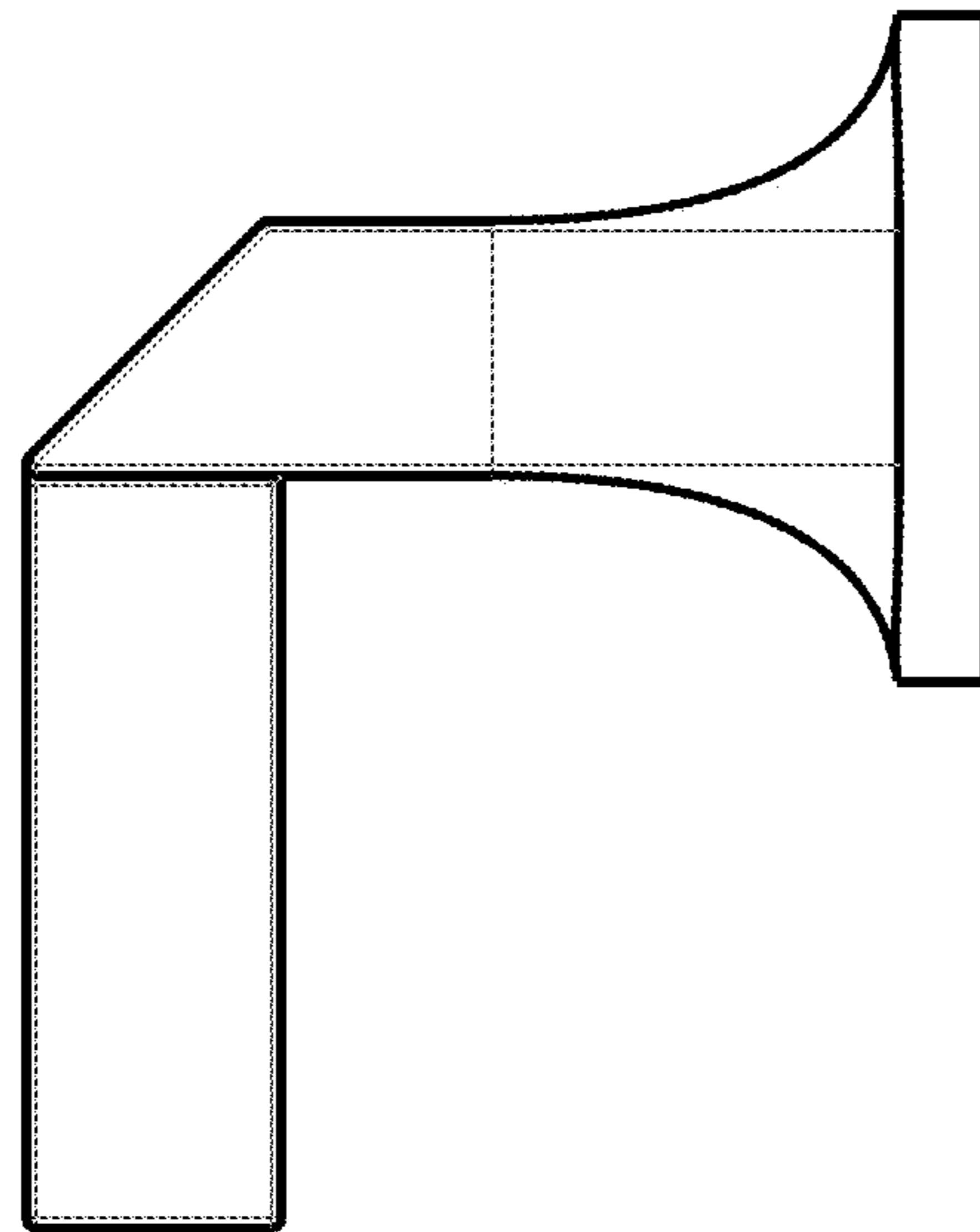


Fig. 6

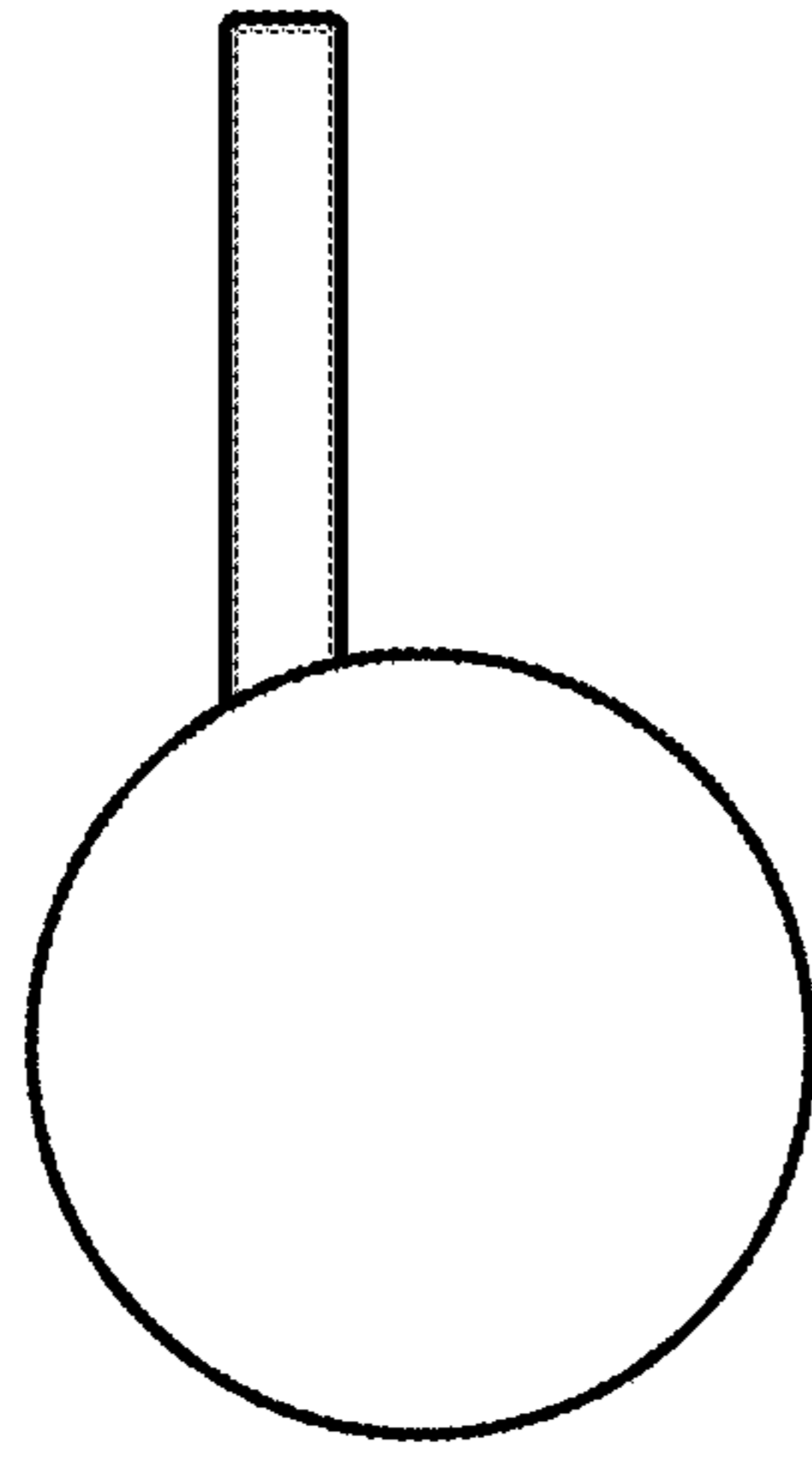


Fig. 8

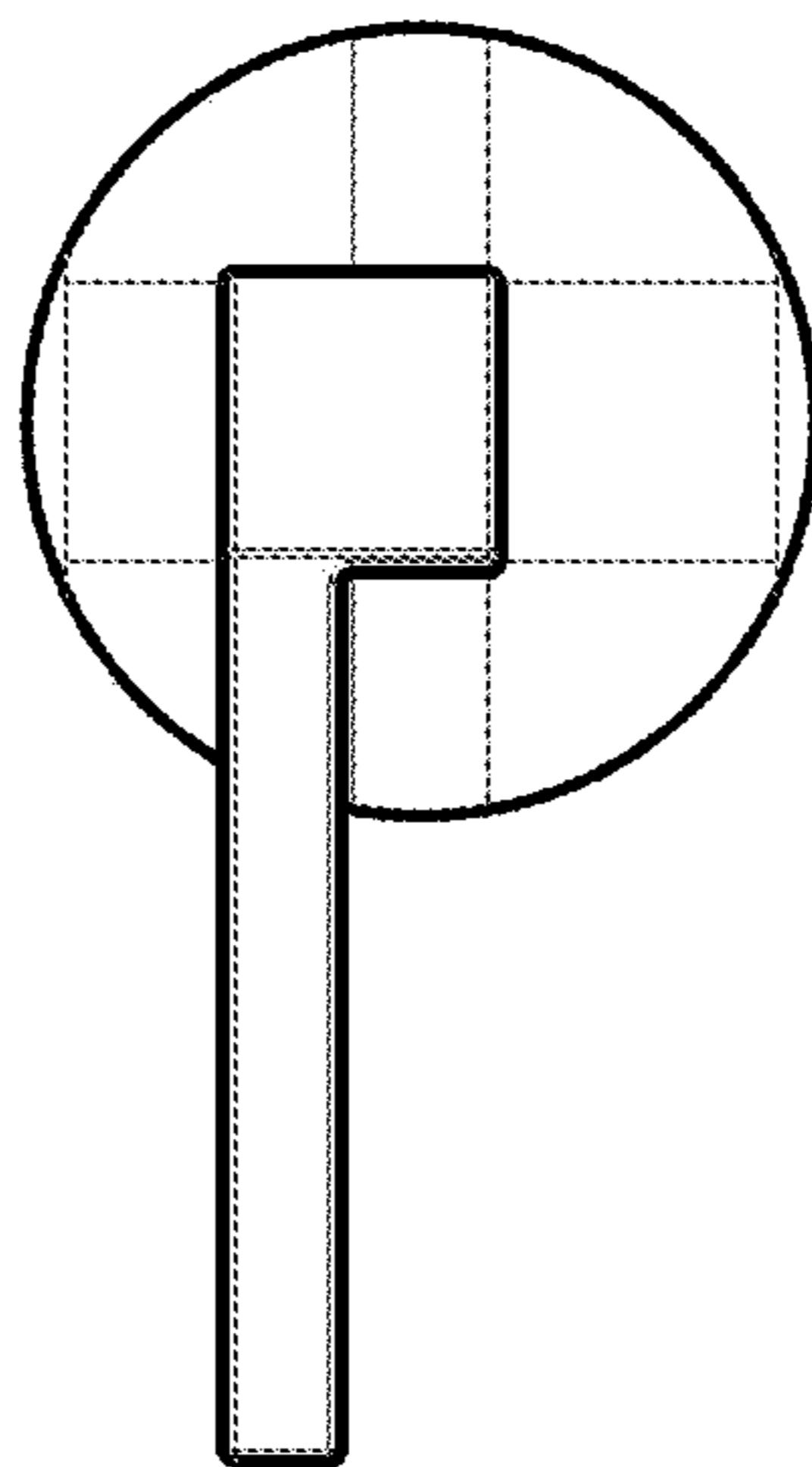


Fig. 7