



US00D868942S

(12) **United States Design Patent** (10) **Patent No.:** **US D868,942 S**
Eads et al. (45) **Date of Patent:** **** Dec. 3, 2019**

(54) **FAUCET HANDLE**

OTHER PUBLICATIONS

(71) Applicant: **DELTA FAUCET COMPANY**,
Indianapolis, IN (US)
(72) Inventors: **Thad Eads**, Urbana, IN (US); **Michael
Scot Rosko**, Greenwood, IN (US)
(73) Assignee: **DELTA FAUCET COMPANY**,
Indianapolis, IN (US)

Manuelian, Formani Ribbon—by Bob Manders, posted Jul. 19, 2015, [online], [visited Mar. 14, 2019]. Internet, <URL: <http://www.m-manuelian.com/formani-ribbon-designed-by-bob-manders/>> (Year: 2015).*
Amazon, Inchant Modern Faucet, posted Aug. 27, 2016, [online], [visited Mar. 14, 2019]. Internet, <URL: https://www.amazon.co.uk/Waterfall-widespread-Monobloc-Bathroom-Lavatory/dp/B01L3I613W/ref=olp_product_details?encoding=UTF8&me=>> (Year: 2016).*

(**) Term: **15 Years**

* cited by examiner

(21) Appl. No.: **29/638,139**

Primary Examiner — Sheryl Lane

(22) Filed: **Feb. 24, 2018**

Assistant Examiner — Samantha N Wood

(51) **LOC (12) Cl.** **23-01**

(74) *Attorney, Agent, or Firm* — Edgar A. Zarins; Nirav D. Parikh

(52) **U.S. Cl.**
USPC **D23/250**

(58) **Field of Classification Search**
USPC D23/238–243, 249, 250–255, 257, 309;
D8/300, 307, 308
CPC Y10T 137/9464; E03C 1/04; E03C 1/0412
See application file for complete search history.

(57) **CLAIM**

The ornamental design for a faucet handle, as shown and described.

(56) **References Cited**

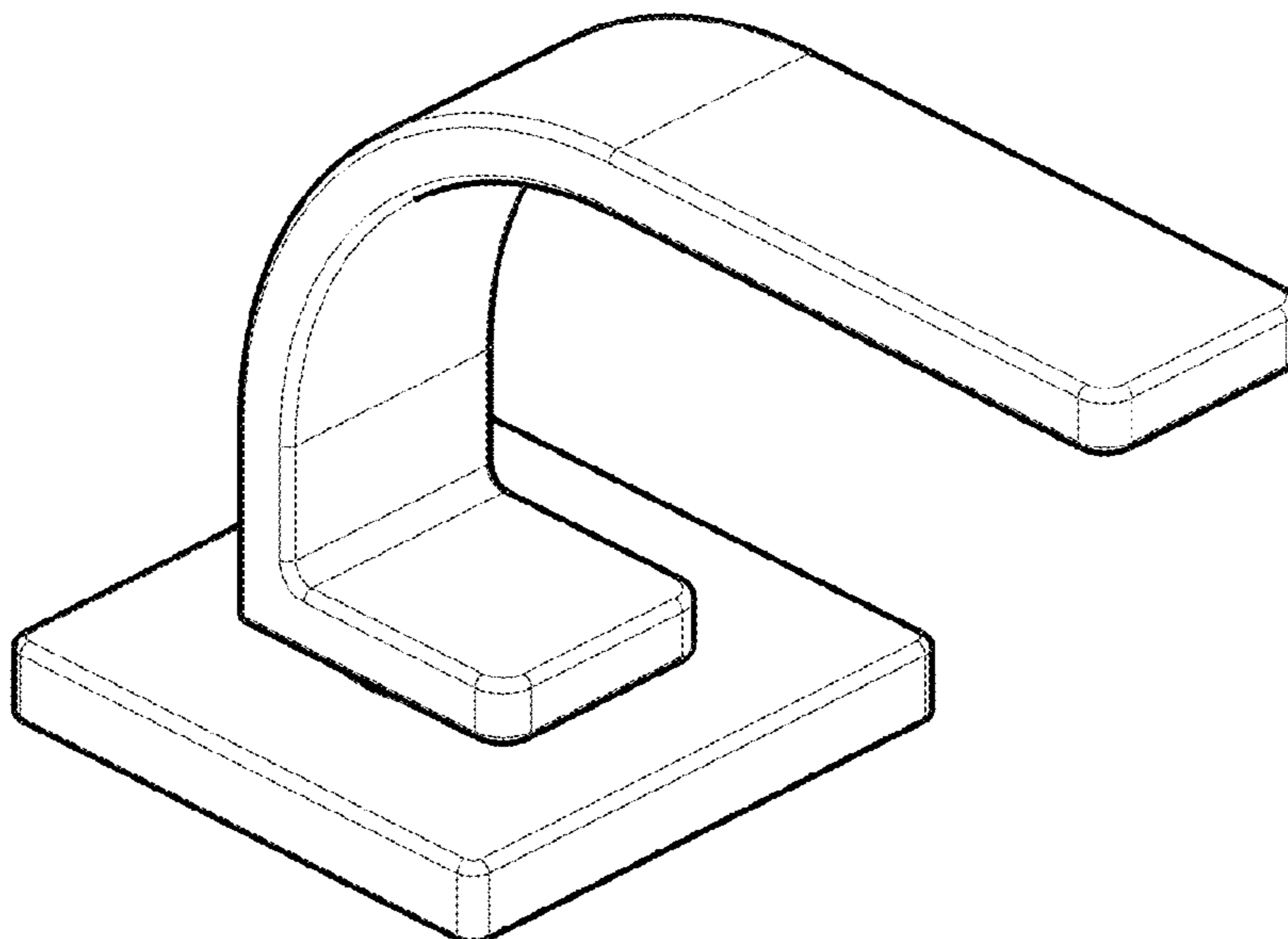
DESCRIPTION

U.S. PATENT DOCUMENTS

| | | | | | |
|------------|---|---------|-----------|-------|---------|
| D322,840 S | * | 12/1991 | Rodstein | | D23/255 |
| D462,748 S | * | 9/2002 | Slothower | | D23/250 |
| D552,216 S | * | 10/2007 | Haug | | D23/252 |
| D580,024 S | * | 11/2008 | Gilbert | | D23/255 |
| D582,525 S | * | 12/2008 | Downey | | D23/255 |
| D619,221 S | * | 7/2010 | Kulig | | D23/242 |
| D632,369 S | * | 2/2011 | Kulig | | D23/252 |
| D648,828 S | * | 11/2011 | Meyer | | D23/252 |
| D676,932 S | * | 2/2013 | Berger | | D23/252 |

FIG. 1 is a first perspective view of a faucet handle showing our new design;
FIG. 2 is a second perspective view thereof;
FIG. 3 is a front view thereof;
FIG. 4 is a left side view thereof;
FIG. 5 is a rear view thereof;
FIG. 6 is a right side view thereof; and,
FIG. 7 is a top plan view thereof.

1 Claim, 4 Drawing Sheets



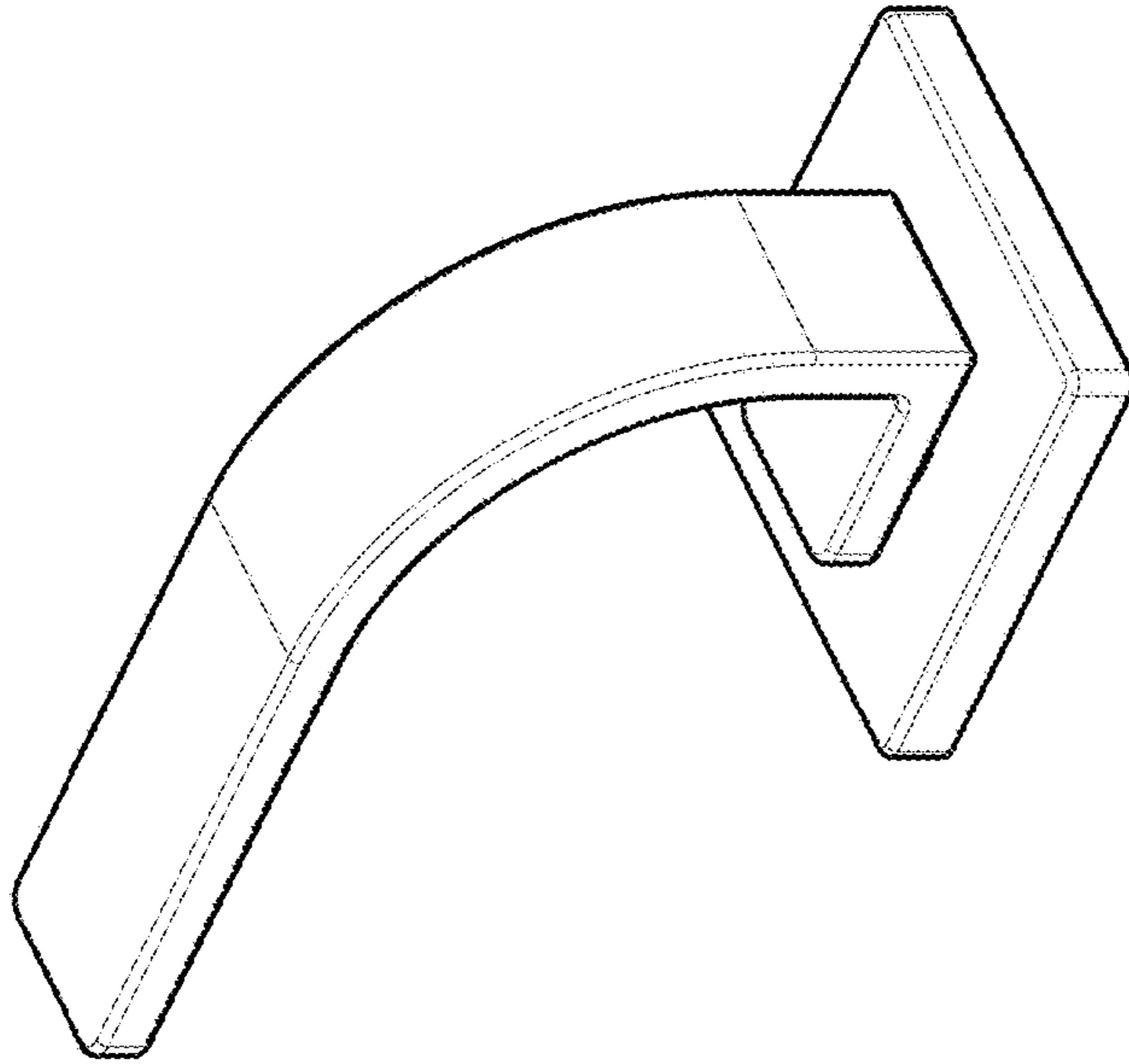


Fig. 2

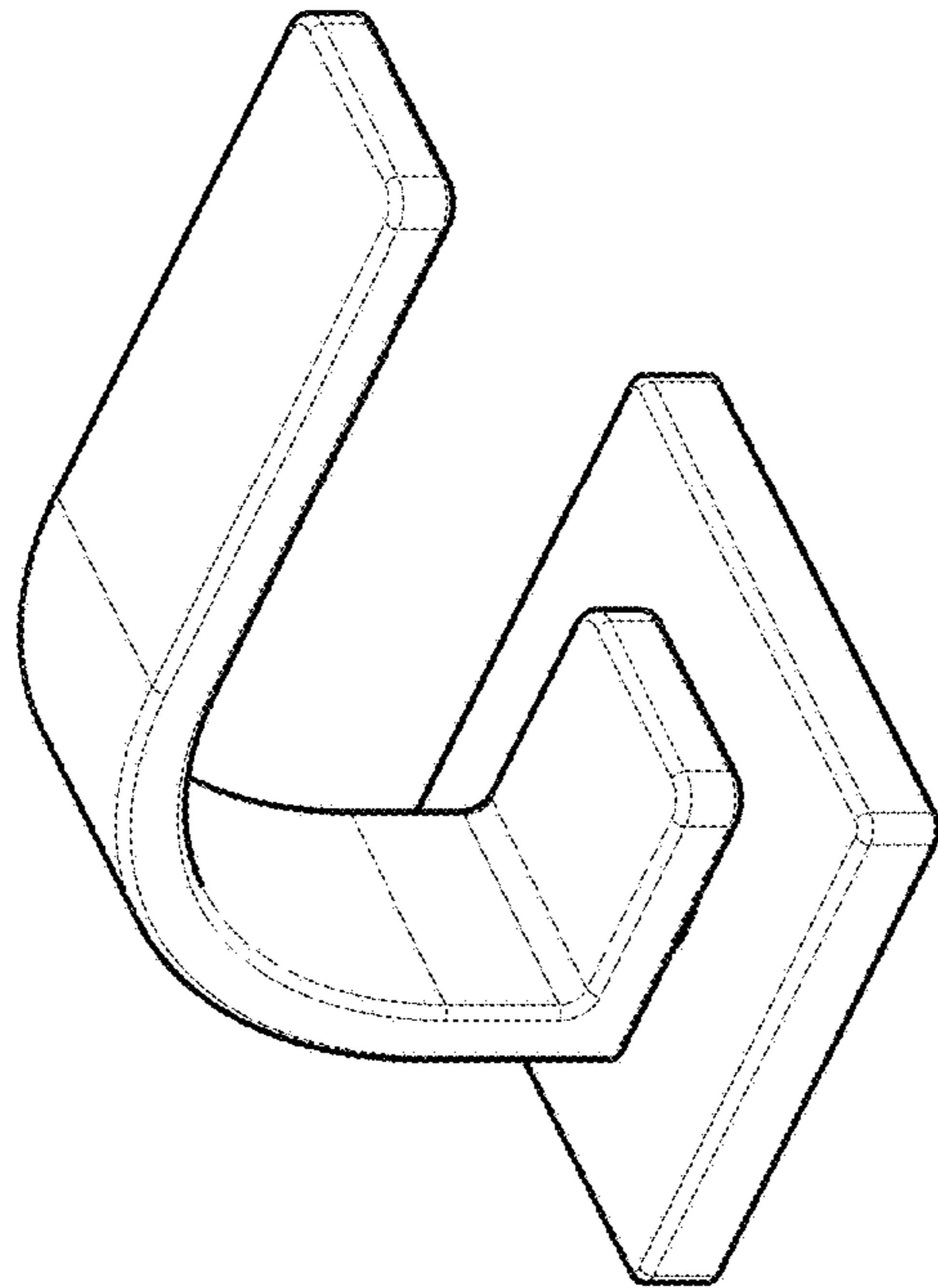


Fig. 1

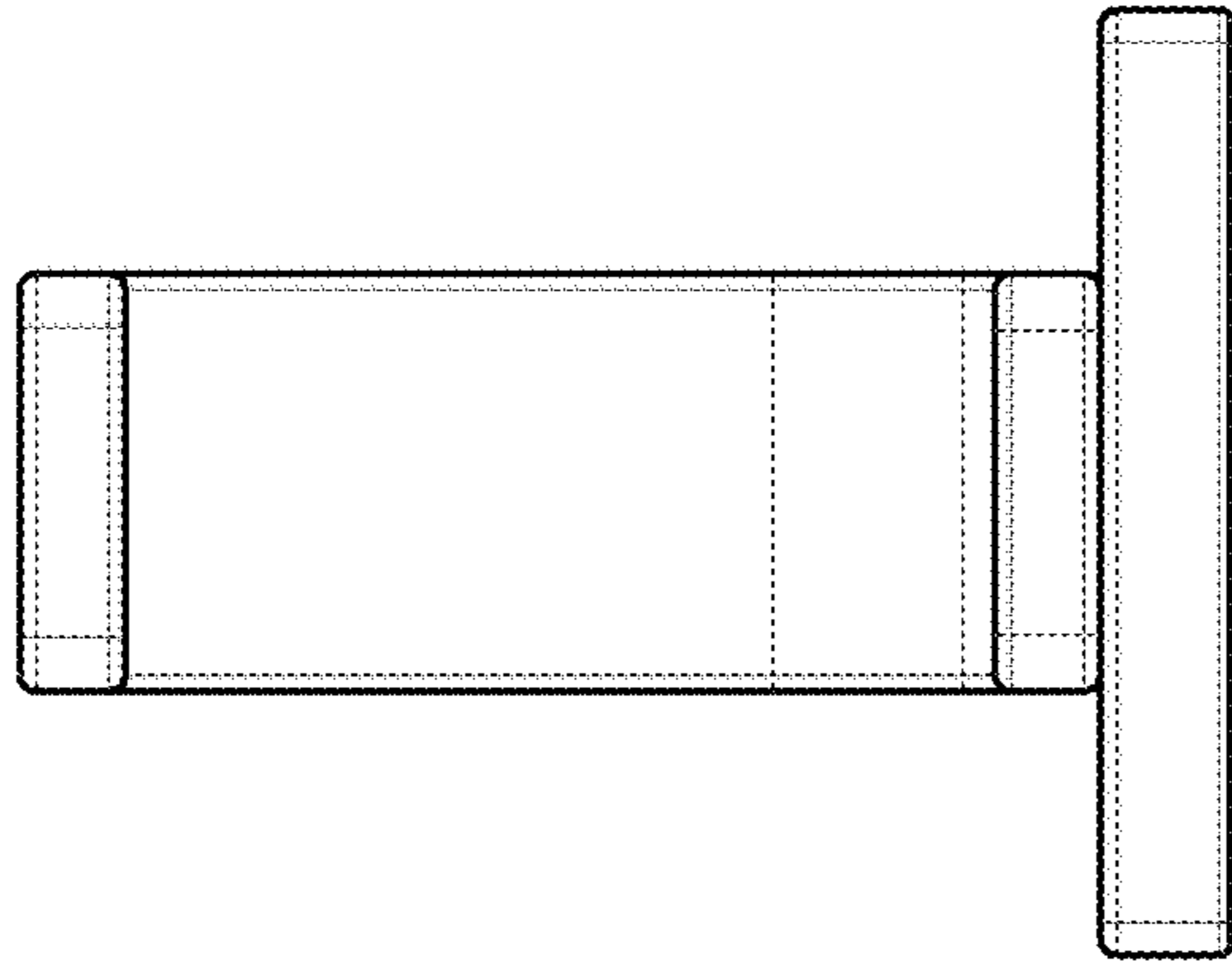


Fig. 4

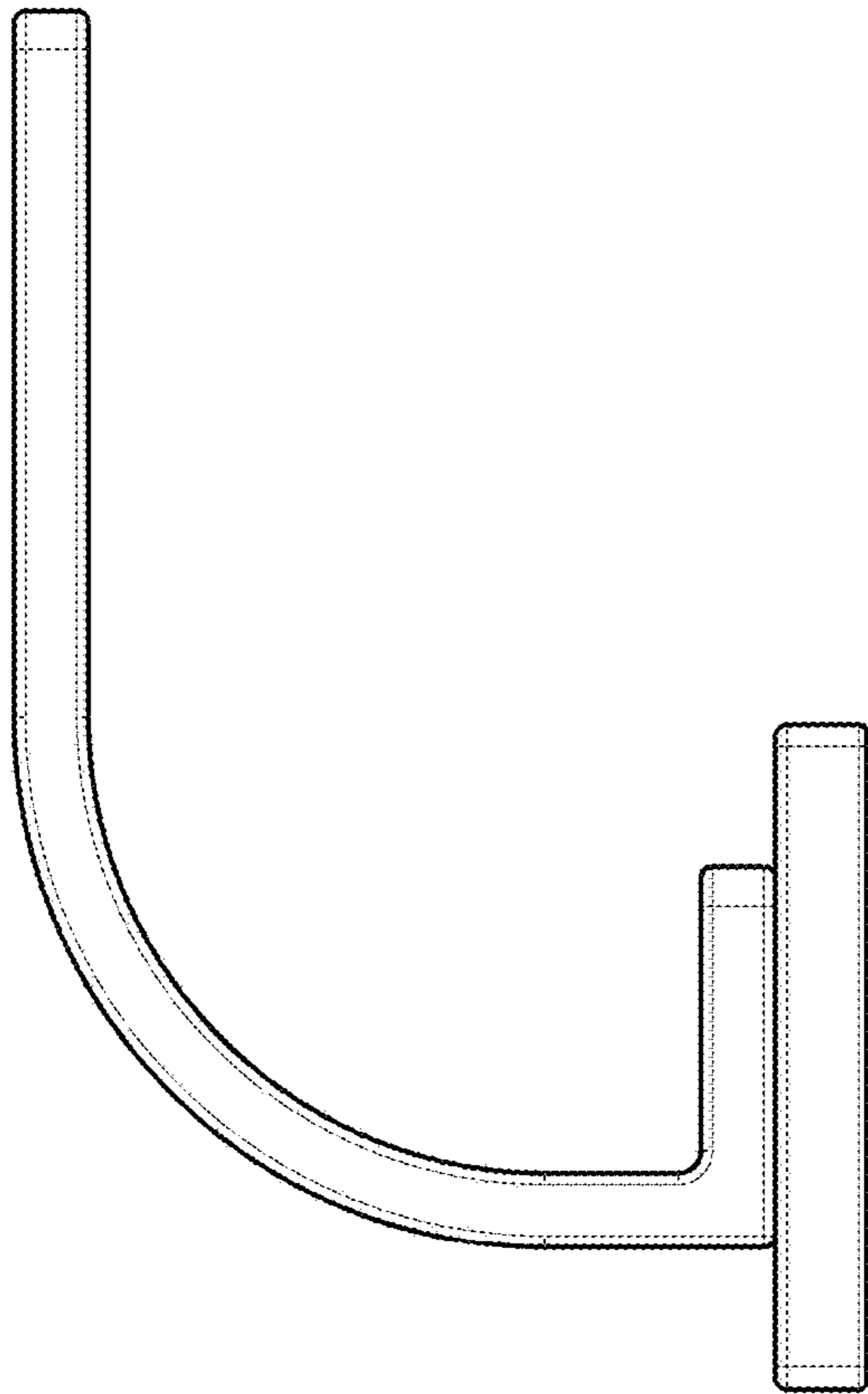


Fig. 3

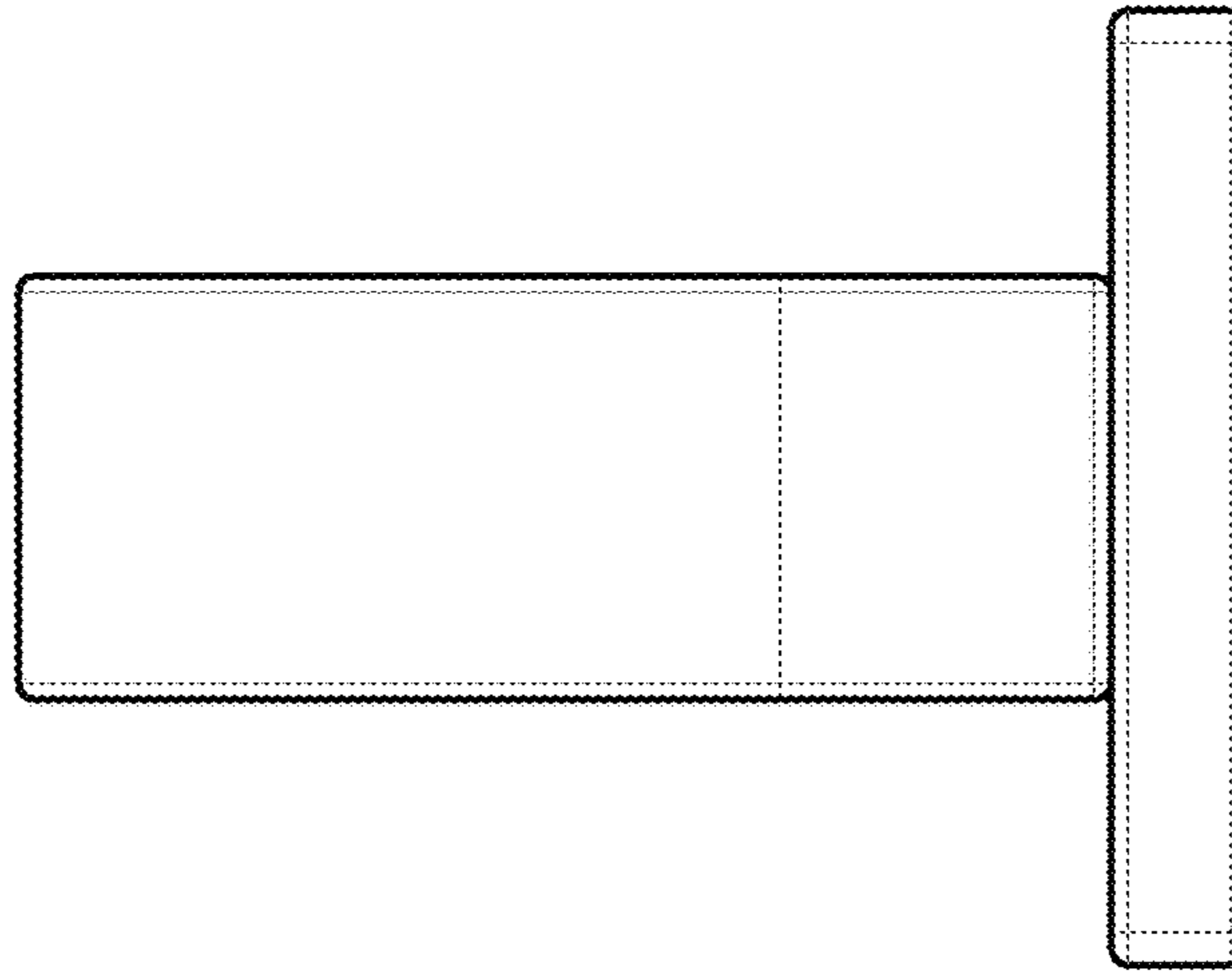


Fig. 6

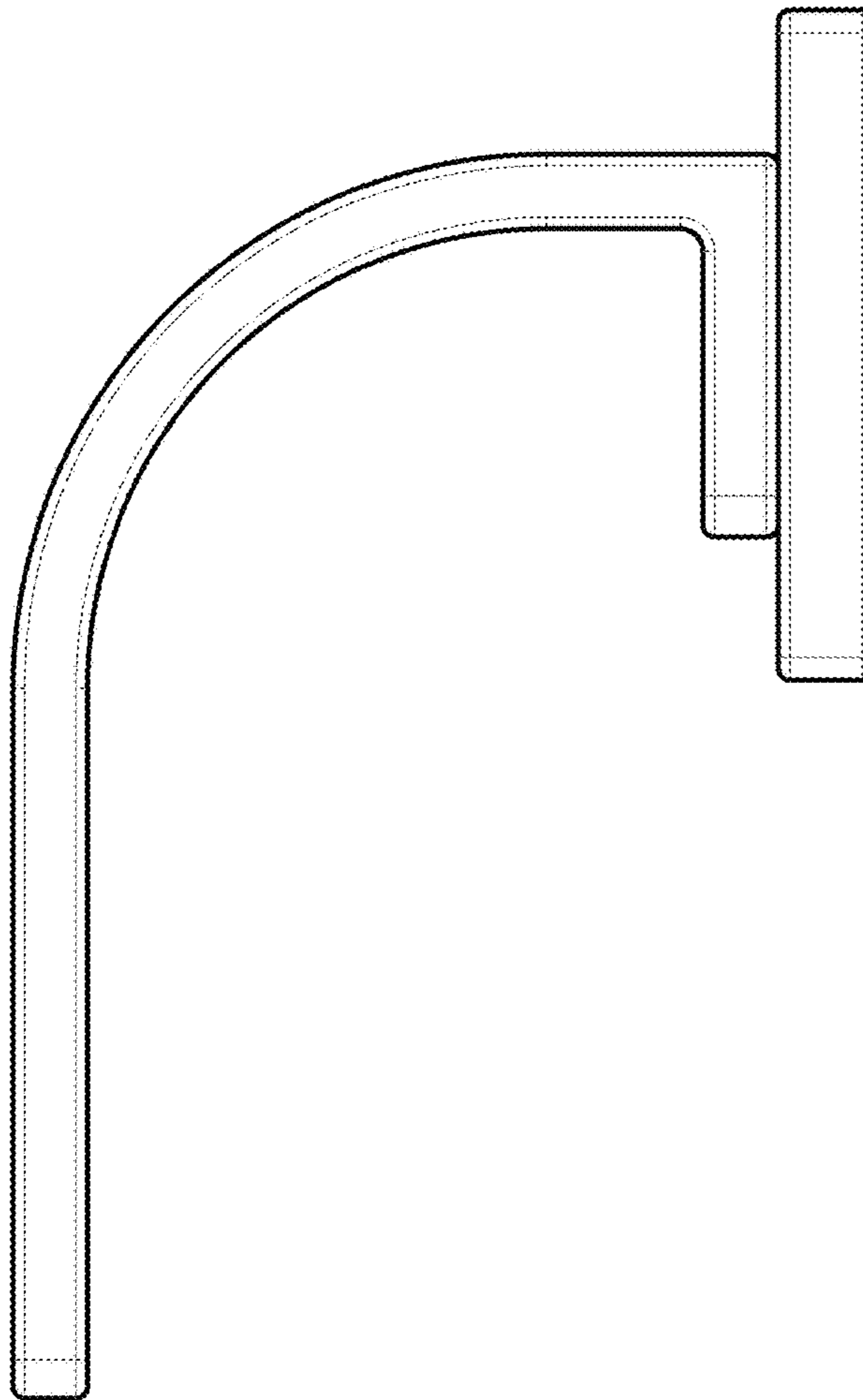


Fig. 5

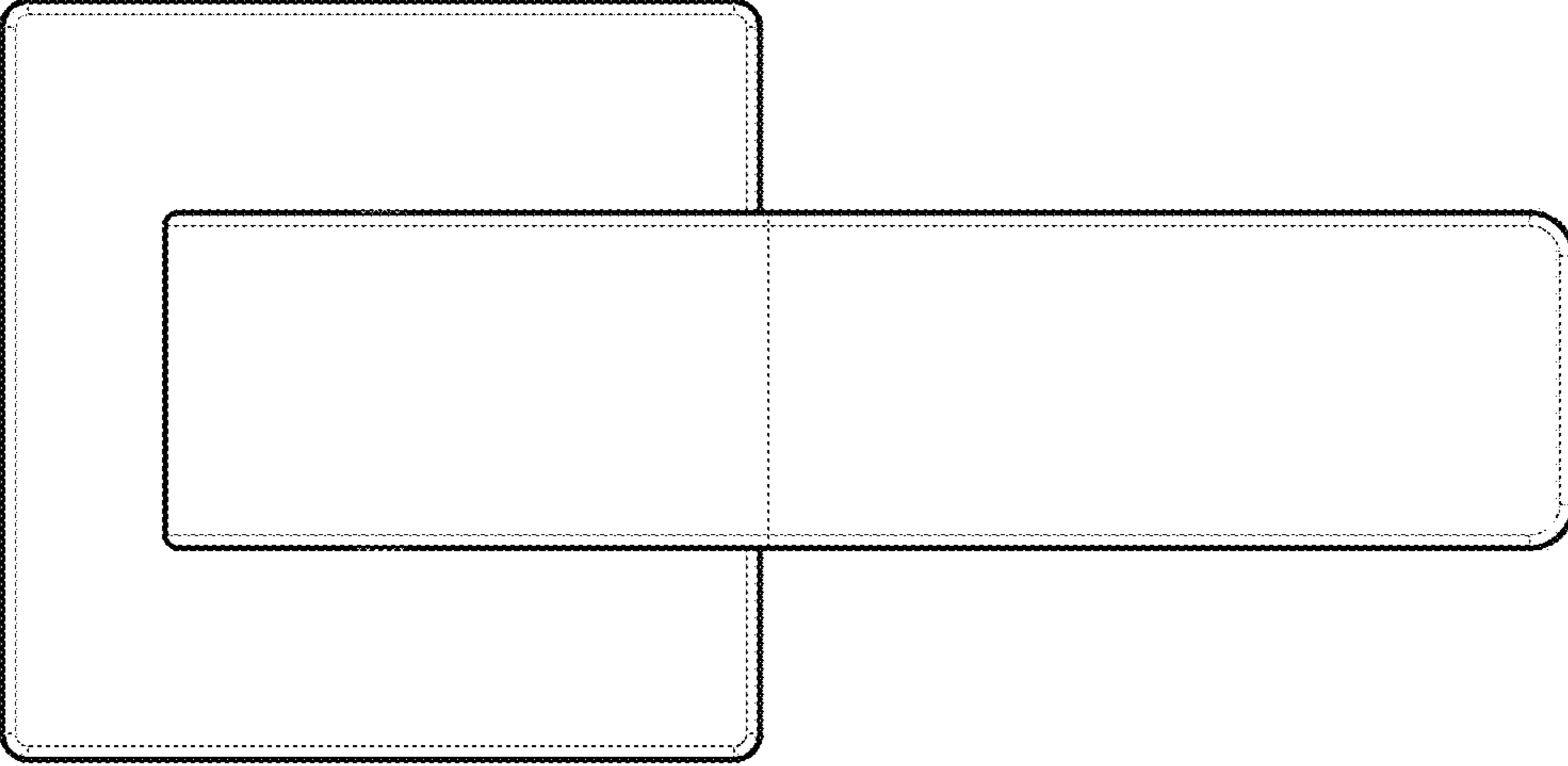


Fig. 7