



US00D868937S

(12) **United States Design Patent** (10) **Patent No.:** **US D868,937 S**  
**Zabalo Ondarra et al.** (45) **Date of Patent:** **\*\* Dec. 3, 2019**

(54) **SPRAYER**  
(71) Applicant: **GOIZPER, S.COOP.**, Antzuola  
(Gipuzkoa) (ES)  
(72) Inventors: **Arkaitz Zabalo Ondarra**, Antzuola  
(ES); **Eneritz Etxebarria Zubizarreta**,  
Arrasate (ES)  
(73) Assignee: **GOIZPER, S.COOP.**, Antzuola  
(Gipuzkoa) (ES)  
(\*\*) Term: **15 Years**  
(21) Appl. No.: **29/646,938**  
(22) Filed: **May 8, 2018**  
(30) **Foreign Application Priority Data**

Nov. 10, 2017 (EM) ..... 004501724  
(51) **LOC (12) Cl.** ..... **23-01**  
(52) **U.S. Cl.**  
USPC ..... **D23/225; D23/202**  
(58) **Field of Classification Search**  
USPC ..... D23/202, 213, 225  
CPC ..... B05B 9/08; B05B 9/0816; B05B 7/2443;  
B05B 7/2408; B05B 7/2421  
See application file for complete search history.

(56) **References Cited**  
U.S. PATENT DOCUMENTS  
D288,586 S \* 3/1987 Moskalik ..... D23/225  
D312,297 S \* 11/1990 Ballu ..... D23/225  
5,072,884 A \* 12/1991 Ellison ..... A01M 7/0085  
215/365  
D327,528 S \* 6/1992 Sears ..... D23/225  
D516,168 S \* 2/2006 Leer ..... D23/225  
7,260,955 B1 \* 8/2007 Uranga ..... B05B 9/0816  
62/244  
D614,263 S \* 4/2010 Hudson ..... D23/225

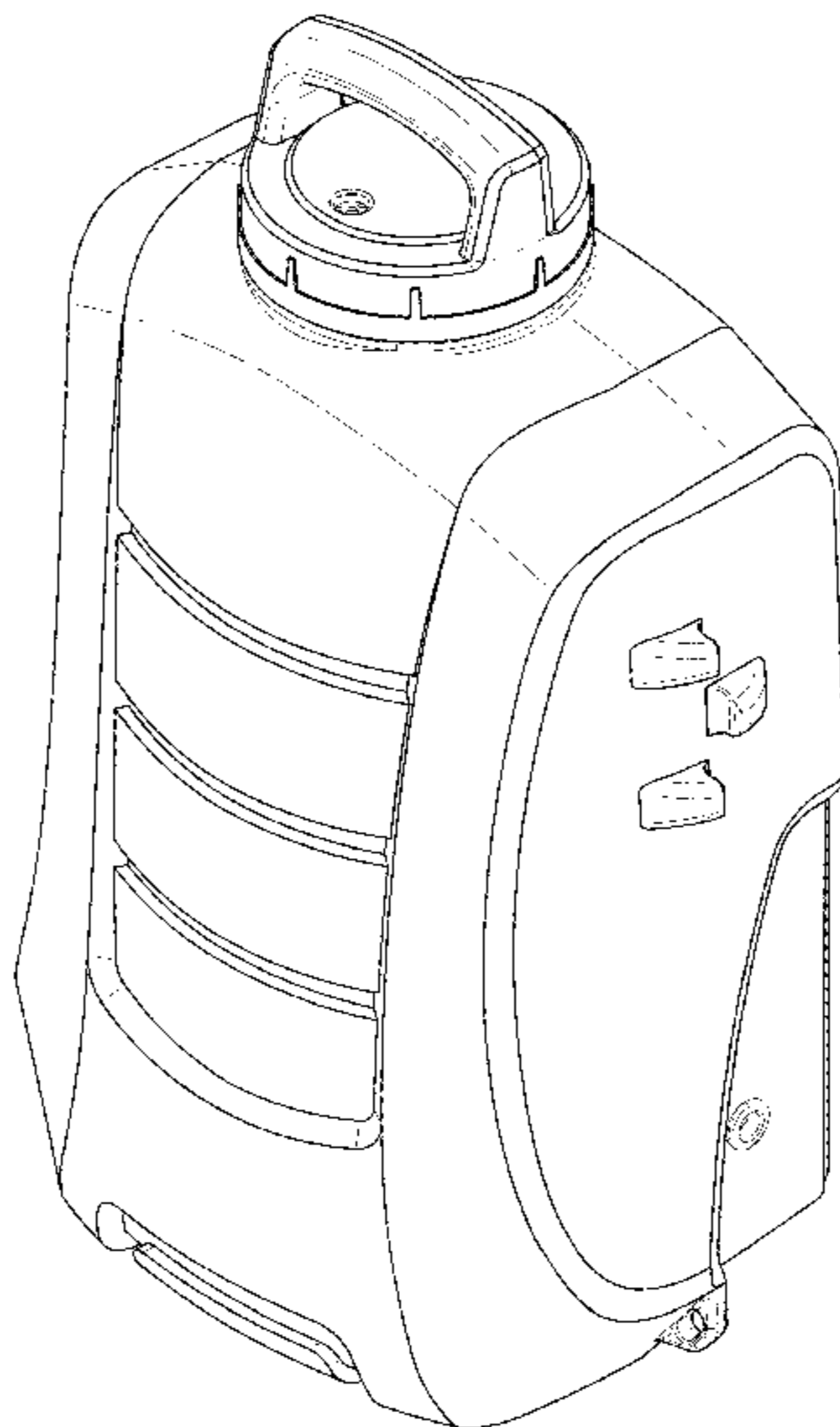
D639,388 S \* 6/2011 Plantz ..... D23/225  
D647,999 S \* 11/2011 Hudson ..... D23/225  
D649,624 S \* 11/2011 Hudson ..... D23/225  
8,205,808 B2 \* 6/2012 Leer ..... B05B 9/0816  
222/401  
D670,788 S \* 11/2012 Plantz ..... D23/225  
D673,645 S \* 1/2013 Delorme ..... D23/202  
D698,889 S \* 2/2014 Zabalo Ondarra ..... D23/202  
8,672,364 B2 \* 3/2014 Schrum ..... B05B 9/0406  
285/33  
8,757,446 B1 \* 6/2014 Liu ..... B65D 83/42  
222/153.04  
D731,027 S \* 6/2015 Sanz Perez ..... D23/225  
D743,505 S \* 11/2015 Clarey ..... D23/225  
D749,698 S \* 2/2016 Pereira Dos Reis ..... D23/225  
D749,699 S \* 2/2016 Nicolía ..... D23/202  
D800,253 S \* 10/2017 Oyarbide ..... D23/225  
(Continued)

*Primary Examiner* — Manpreet S Matharu  
*Assistant Examiner* — Keith J Wilson  
(74) *Attorney, Agent, or Firm* — Knobbe, Martens, Olson  
& Bear, LLP

(57) **CLAIM**  
The ornamental design for a sprayer, as shown and  
described.

**DESCRIPTION**  
FIG. 1 is a top-front-left-side perspective view of a sprayer,  
showing our new design.  
FIG. 2 is a front elevational view thereof.  
FIG. 3 is a rear elevational view thereof.  
FIG. 4 is a left side elevational view thereof.  
FIG. 5 is a right side elevational view thereof.  
FIG. 6 is a top plan view thereof.  
FIG. 7 is a bottom plan view thereof; and,  
FIG. 8 is a bottom-rear-right-side perspective view thereof,  
when the sprayer is in an inverted position.  
The broken lines seen in FIGS. 5 and 8 depict portions of the  
sprayer that form no part of the claimed design.

**1 Claim, 7 Drawing Sheets**



(56)

**References Cited**

U.S. PATENT DOCUMENTS

D815,713 S \* 4/2018 Ip ..... D23/202  
D822,161 S \* 7/2018 Bonaventura ..... D23/225  
2003/0019954 A1\* 1/2003 Clarke ..... B05B 9/0816  
239/333  
2010/0123026 A1\* 5/2010 Leer ..... B05B 9/0816  
239/333  
2010/0327079 A1\* 12/2010 Wu ..... A01M 7/0046  
239/288  
2014/0034685 A1\* 2/2014 Meyers ..... B05B 11/30  
222/401  
2017/0106385 A1\* 4/2017 Schrum ..... B05B 9/043

\* cited by examiner

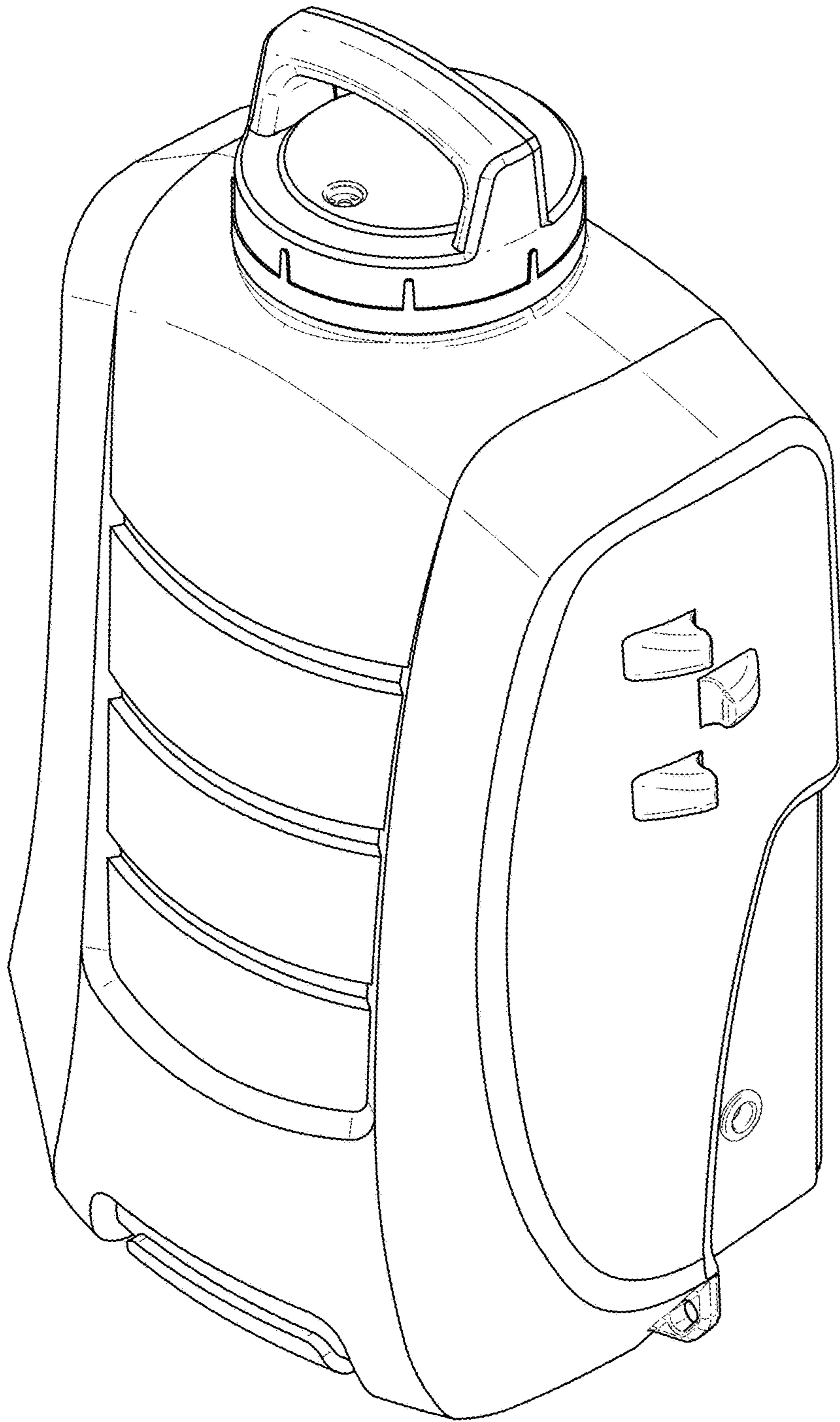


FIG. 1

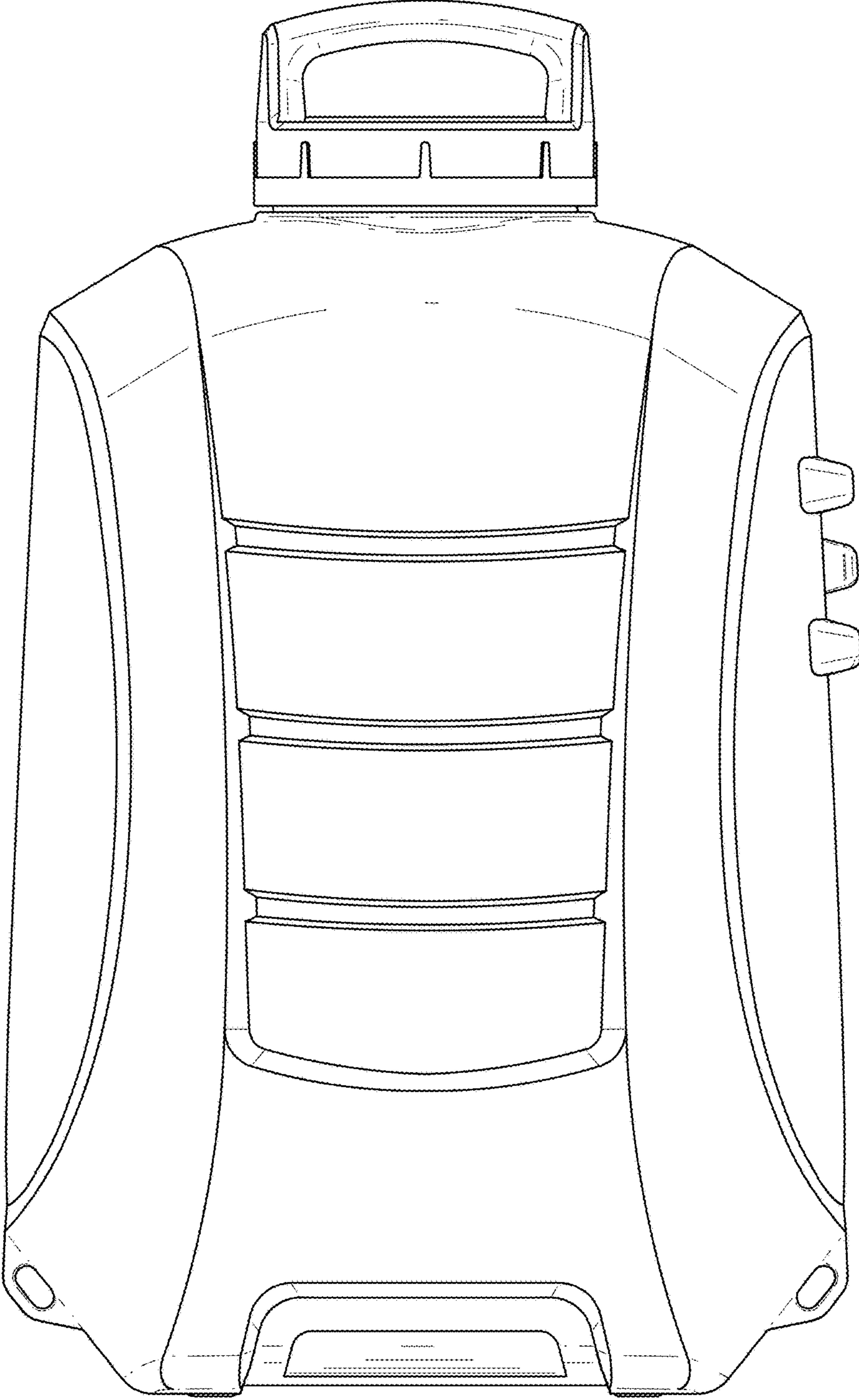


FIG. 2

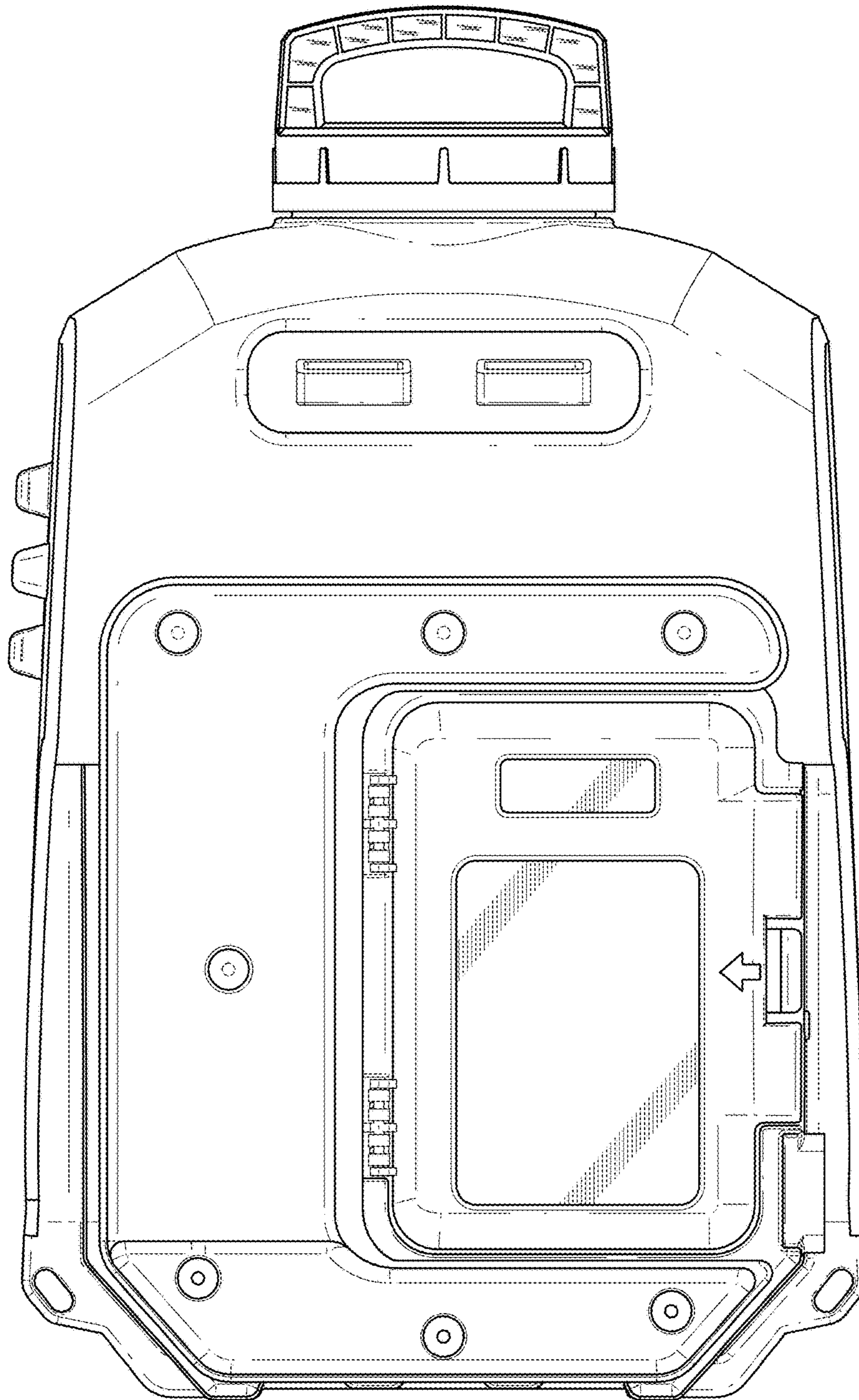


FIG. 3

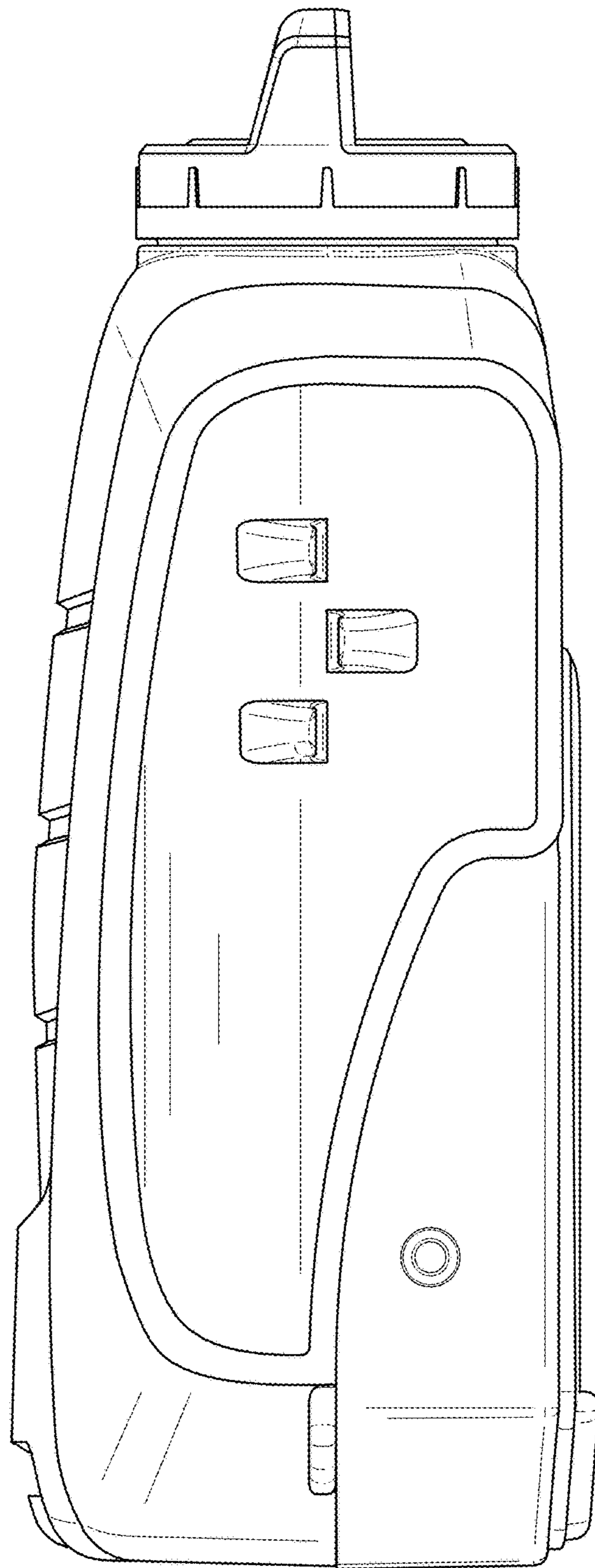


FIG. 4

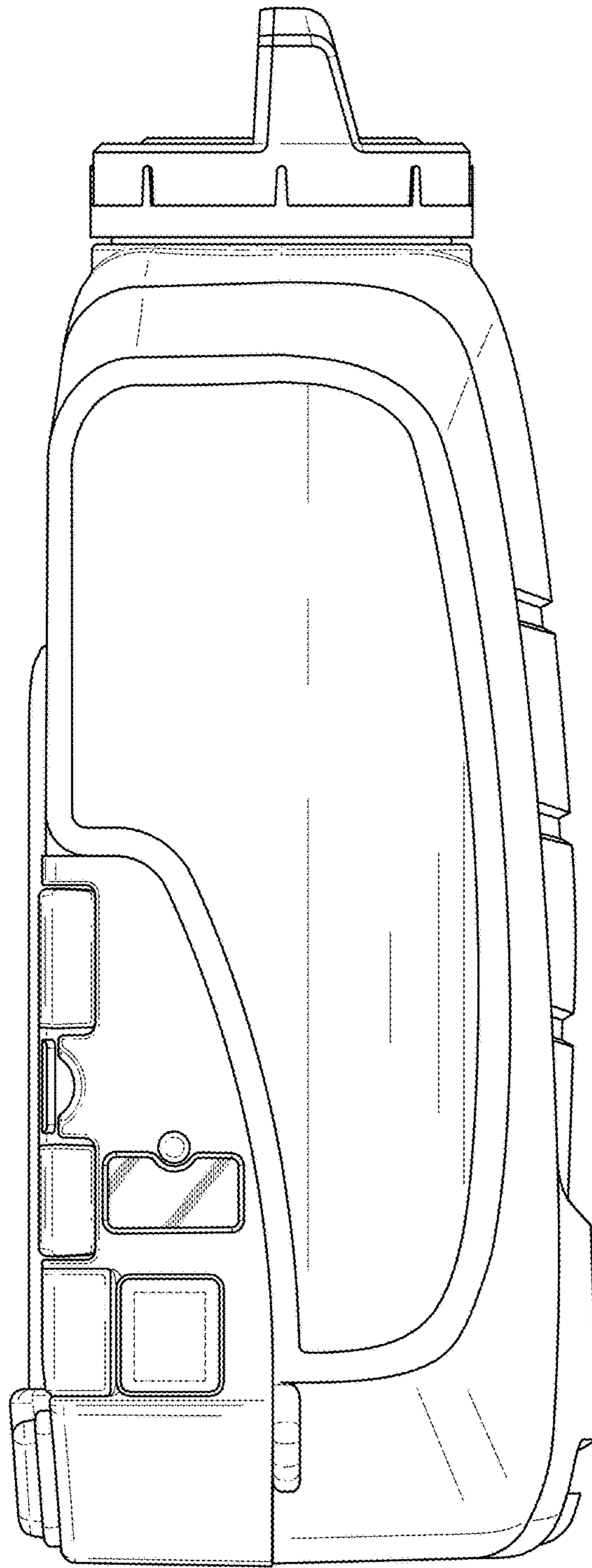


FIG. 5

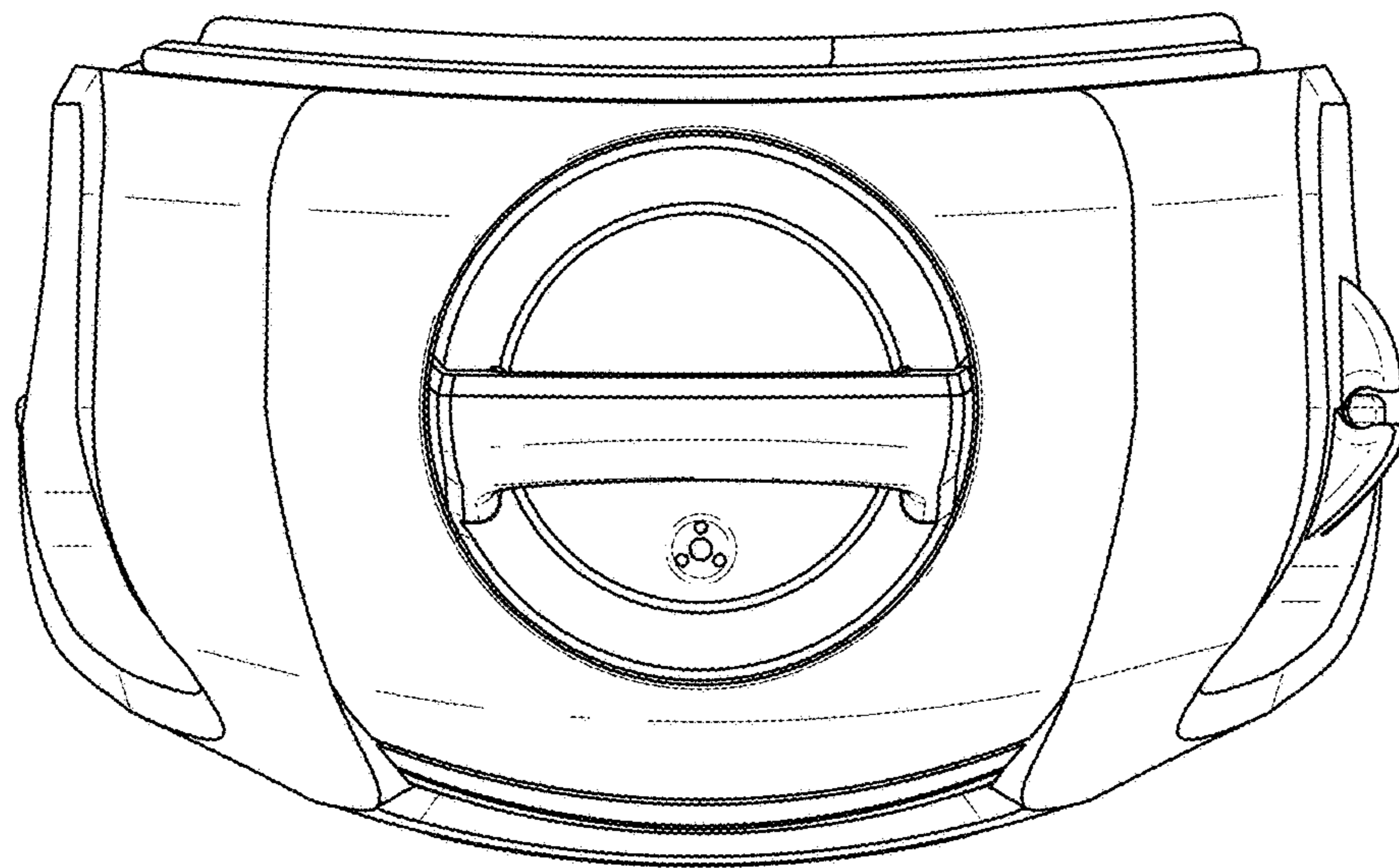


FIG. 6

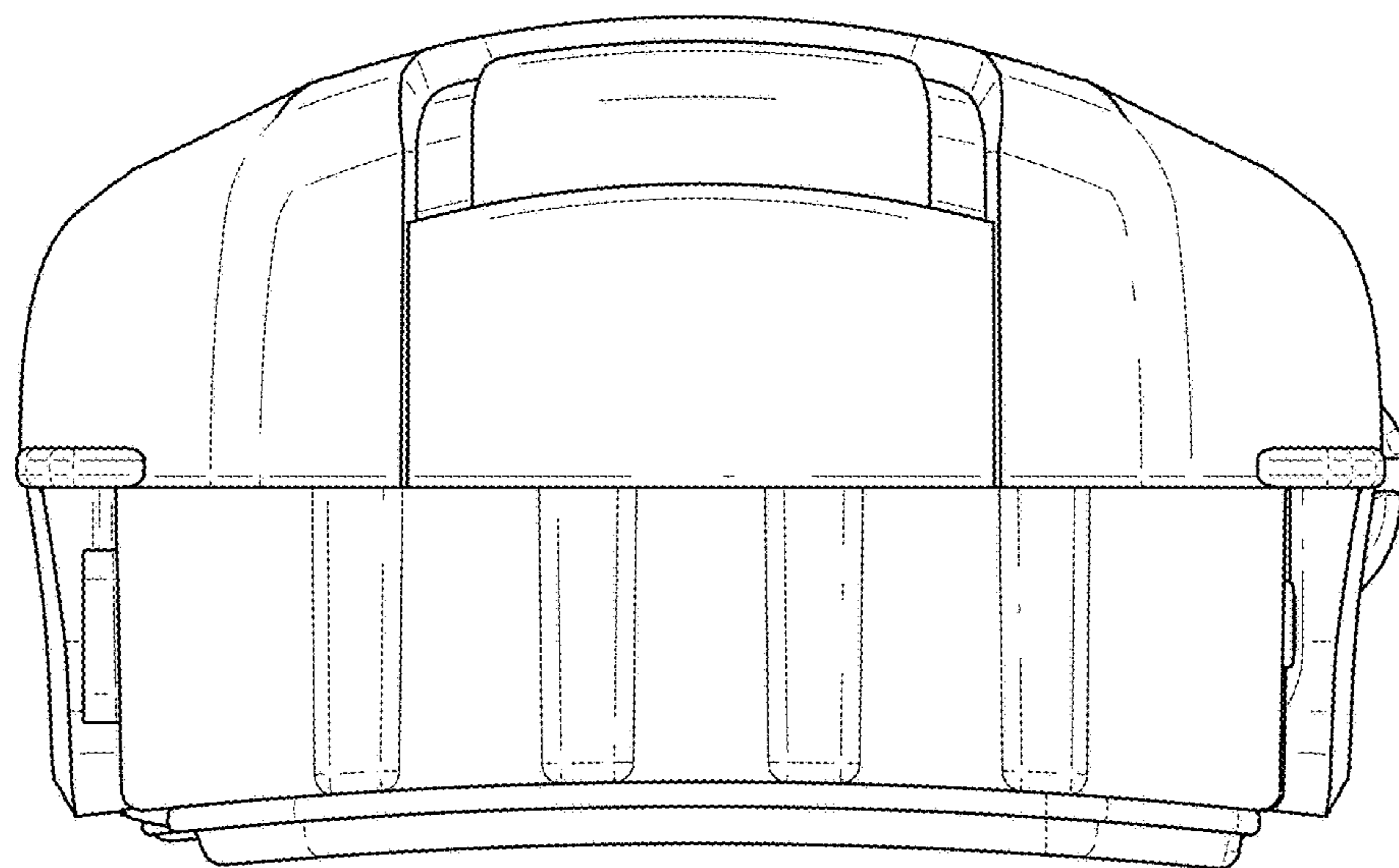


FIG. 7



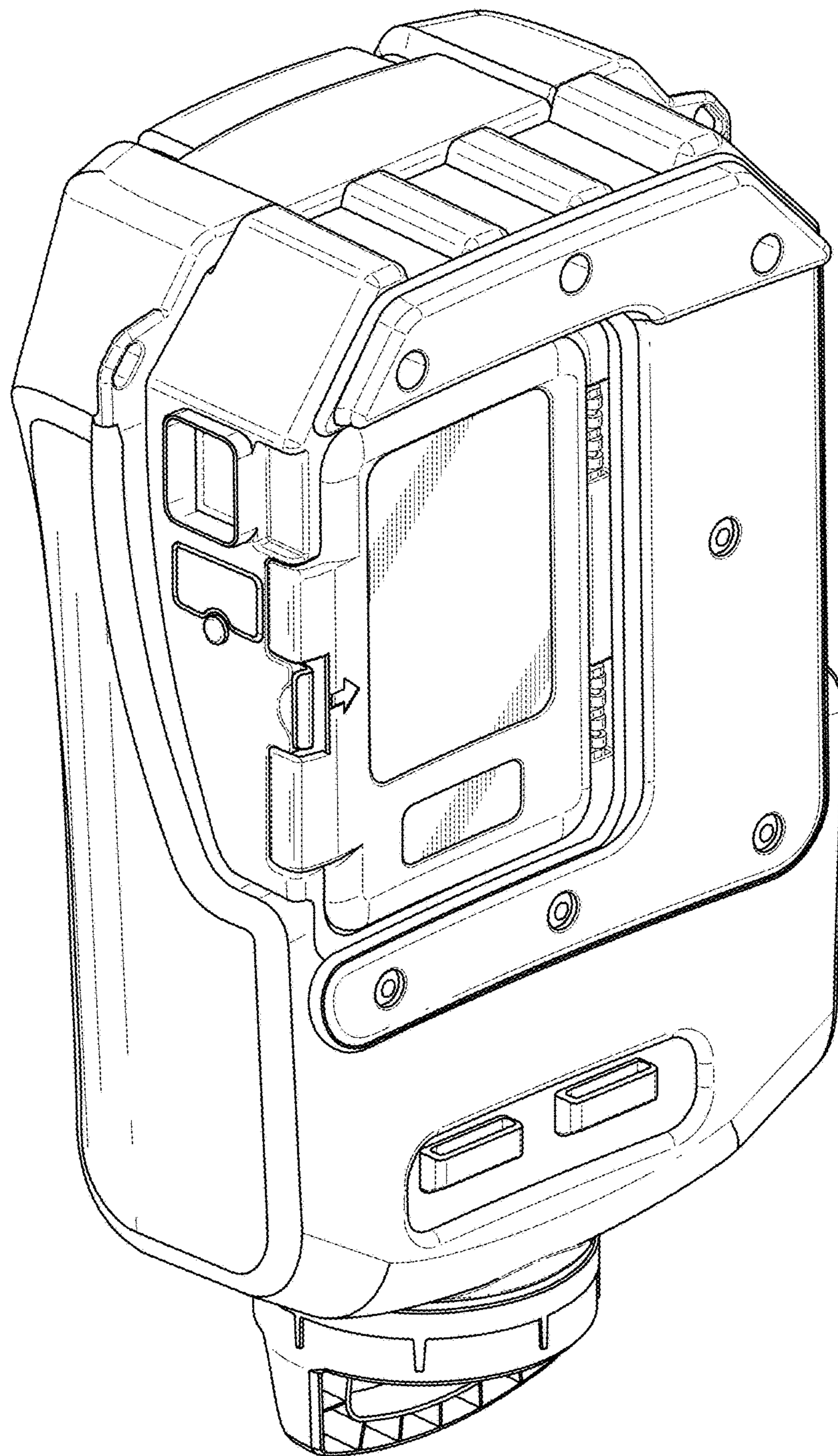


FIG. 8