



US00D868936S

(12) **United States Design Patent**
Schurle

(10) **Patent No.:** **US D868,936 S**

(45) **Date of Patent:** **** Dec. 3, 2019**

(54) **FAUCET STREAM STRAIGHTENER**

(71) Applicant: **Neoperl GmbH**, Mullheim (DE)

(72) Inventor: **Holger Schurle**, Mullheim (DE)

(73) Assignee: **Neoperl GmbH**, Müllheim (DE)

(**) Term: **15 Years**

(21) Appl. No.: **29/679,950**

(22) Filed: **Feb. 12, 2019**

Related U.S. Application Data

(62) Division of application No. 35/502,692, filed on Mar. 7, 2017 (U.S. filing date under 35 U.S.C. 384), and having an international filing date of Mar. 7, 2017, now Pat. No. Des. 844,748.

(51) **LOC (12) Cl.** **23-01**

(52) **U.S. Cl.**
USPC **D23/213**

(58) **Field of Classification Search**
USPC D23/213, 229, 233, 235, 247-249, 260, D23/264
CPC B05B 7/0425; E03C 1/08; E03C 1/084; E03C 1/086; E03C 2001/026
See application file for complete search history.

(56) **References Cited**

U.S. PATENT DOCUMENTS

D753,792 S	4/2016	Blum	
D776,240 S	1/2017	Huang et al.	
D776,242 S	1/2017	Blum	
D788,264 S	5/2017	Stein	
D822,159 S	7/2018	Tempel	
D840,503 S *	2/2019	Stein	D23/213

D844,747 S *	4/2019	Blum	D23/213
D844,748 S *	4/2019	Schurle	D23/213
D849,888 S *	5/2019	Schurle	D23/213

* cited by examiner

Primary Examiner — Keli L Hill

(74) *Attorney, Agent, or Firm* — Volpe and Koenig, P.C.

(57) **CLAIM**

The ornamental design for a faucet stream straightener, as shown and described.

DESCRIPTION

FIG. 1 is a top plan view of a first embodiment of a faucet stream straightener in accordance with my design;
 FIG. 2 is a top, front perspective view thereof;
 FIG. 3 is a bottom view thereof;
 FIG. 4 is a bottom, rear perspective view thereof;
 FIG. 5 is a front elevational view thereof;
 FIG. 6 is a left side elevational view thereof;
 FIG. 7 is a rear elevational view thereof; and
 FIG. 8 is a right side elevational view thereof;
 FIG. 9 is a top plan view of a second embodiment of a faucet stream straightener in accordance with my design;
 FIG. 10 is a top, front perspective view thereof;
 FIG. 11 is a bottom view thereof;
 FIG. 12 is a bottom, rear perspective view thereof;
 FIG. 13 is a front elevational view thereof;
 FIG. 14 is a left side elevational view thereof;
 FIG. 15 is a rear elevational view thereof; and,
 FIG. 16 is a right side elevational view thereof.
 The broken lines represent portions of the faucet stream straightener that form no part of the claimed design.

1 Claim, 8 Drawing Sheets

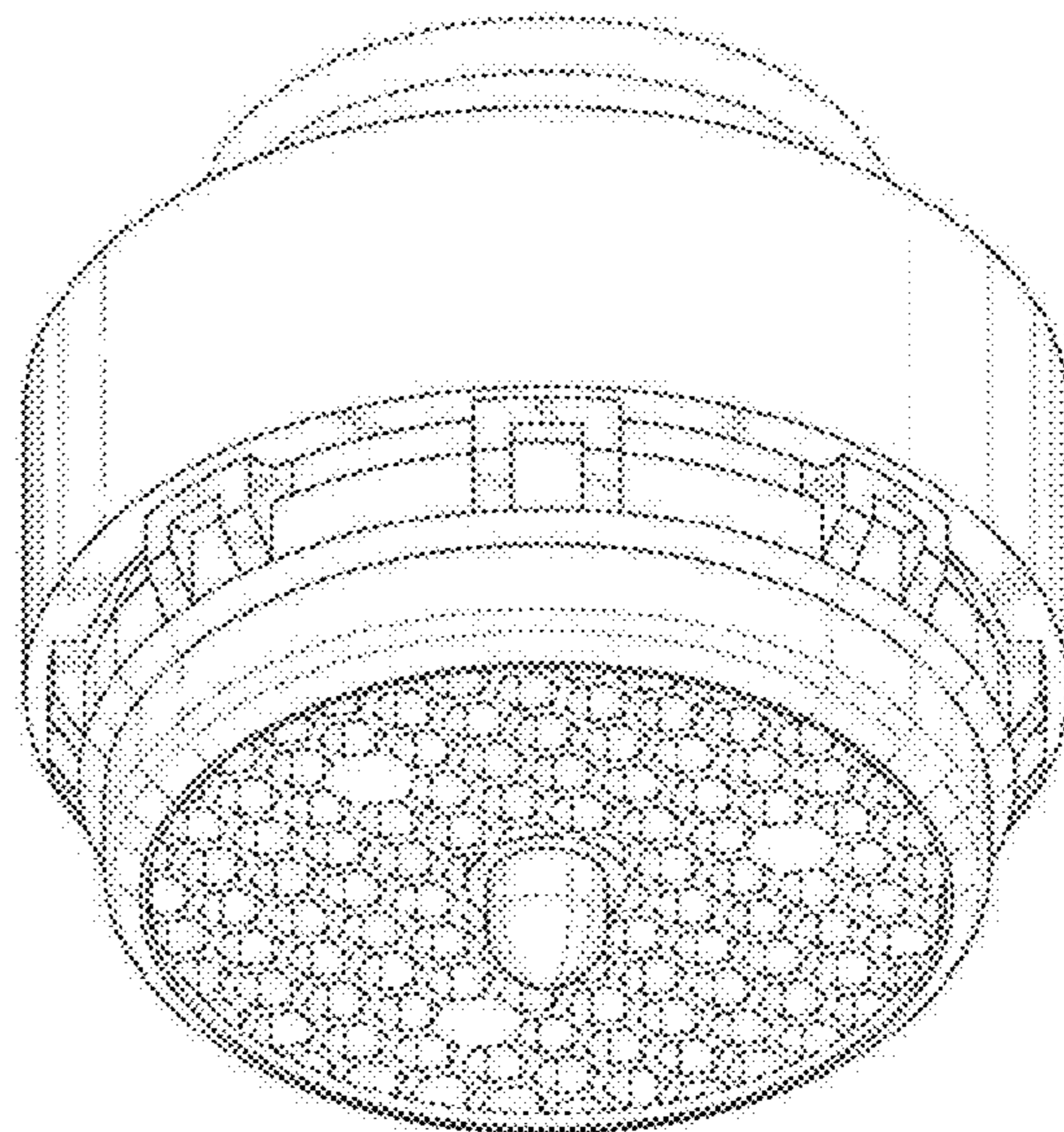
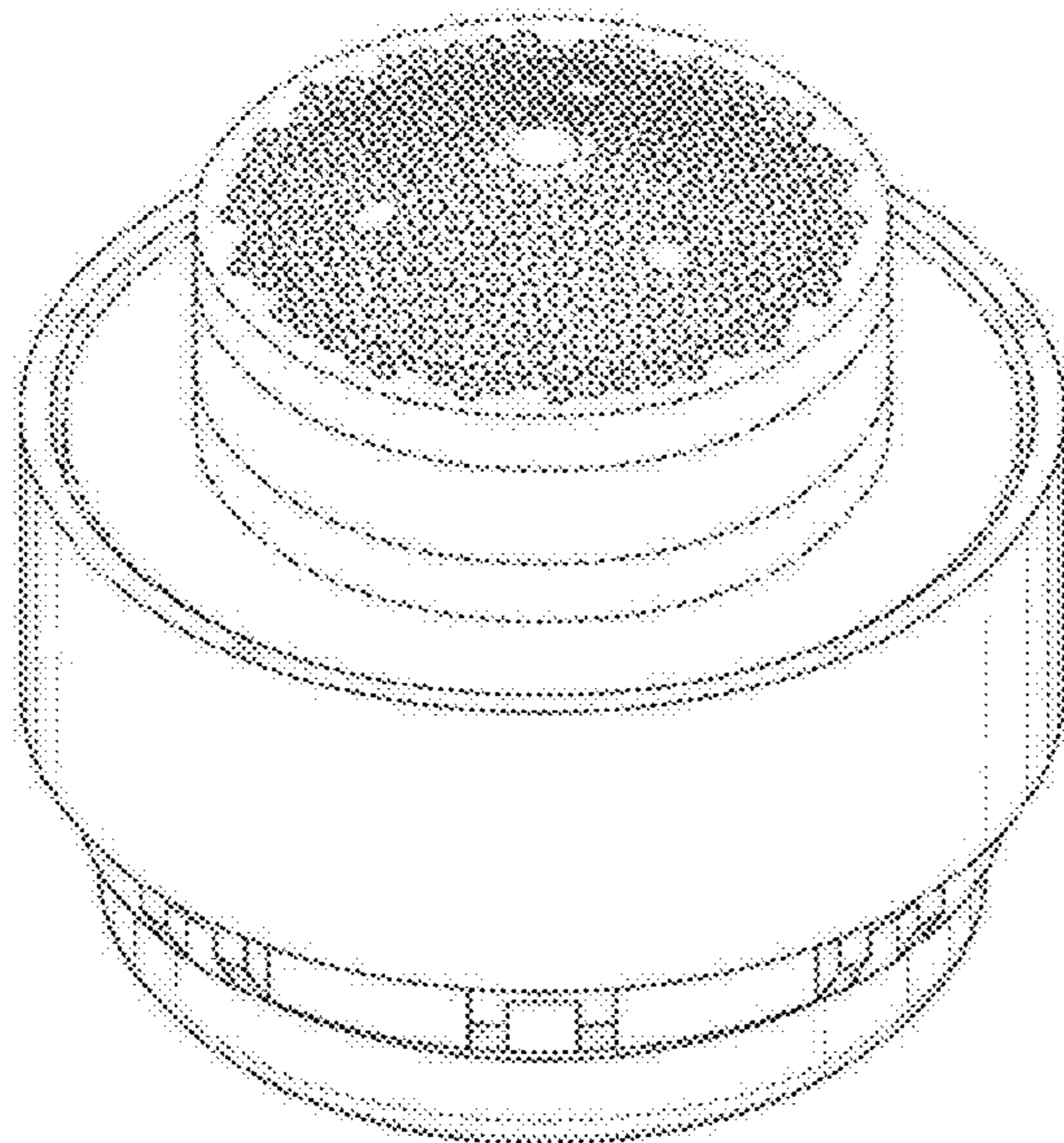


Fig. 1

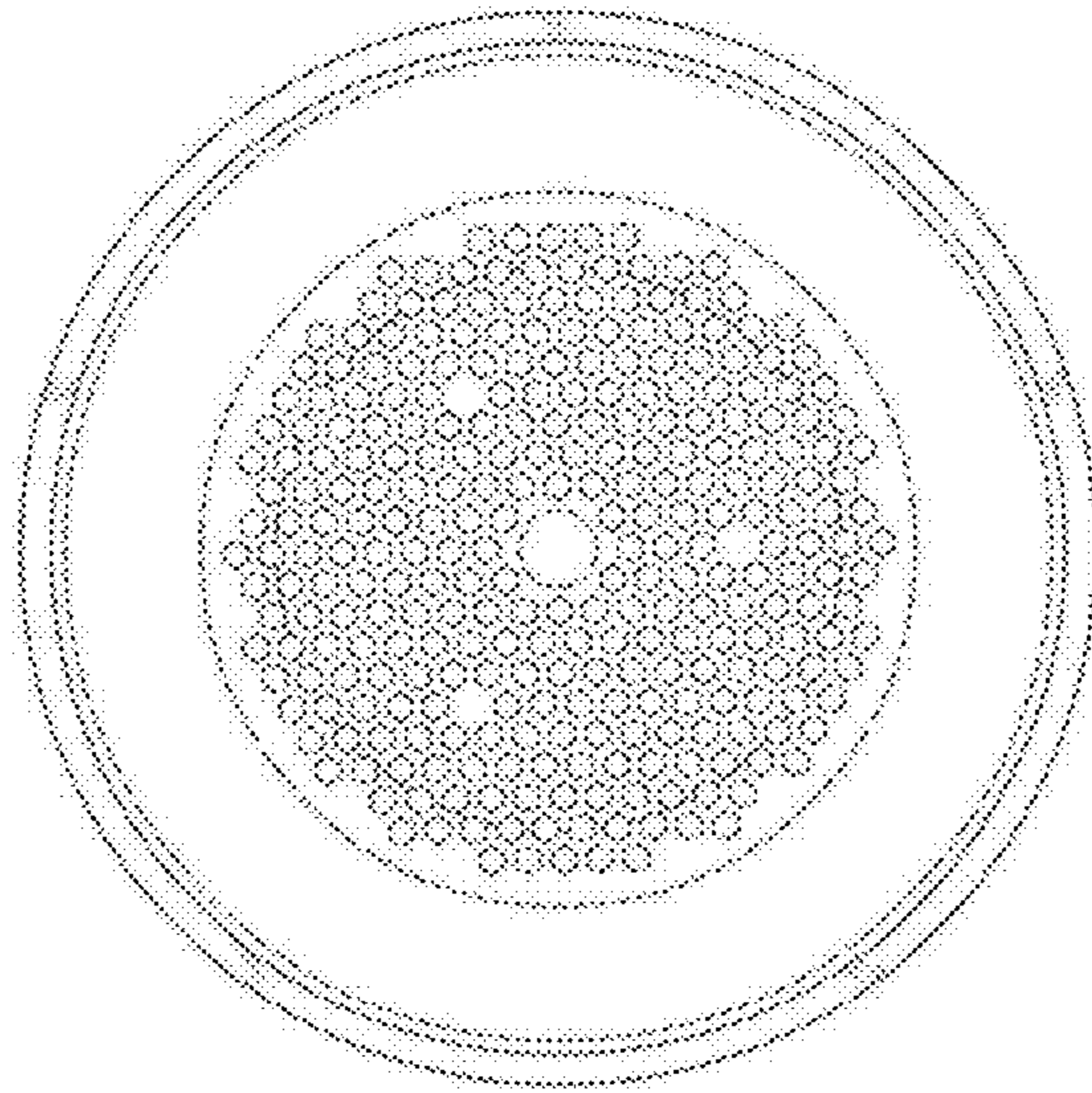


Fig. 2

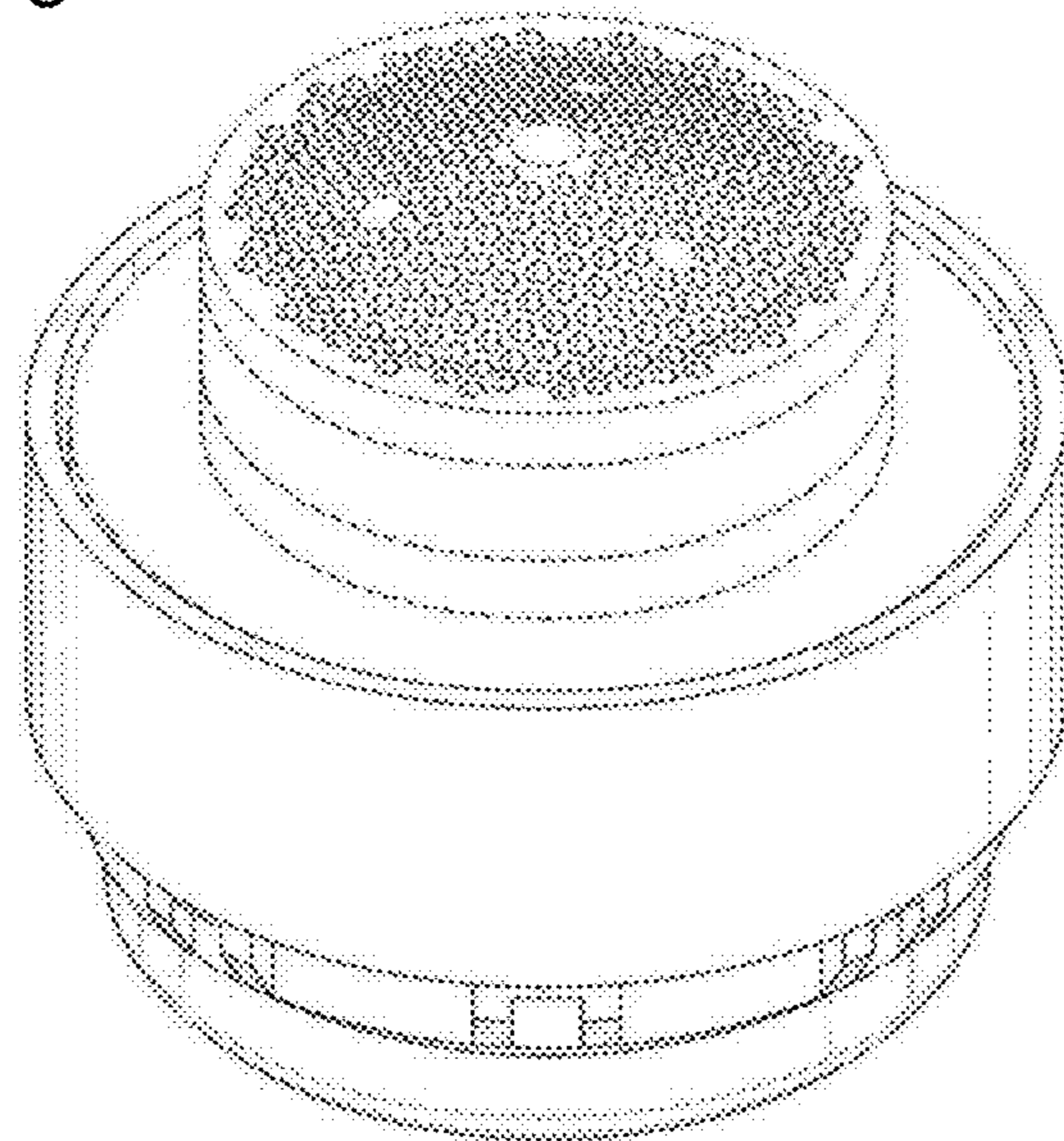


Fig. 3

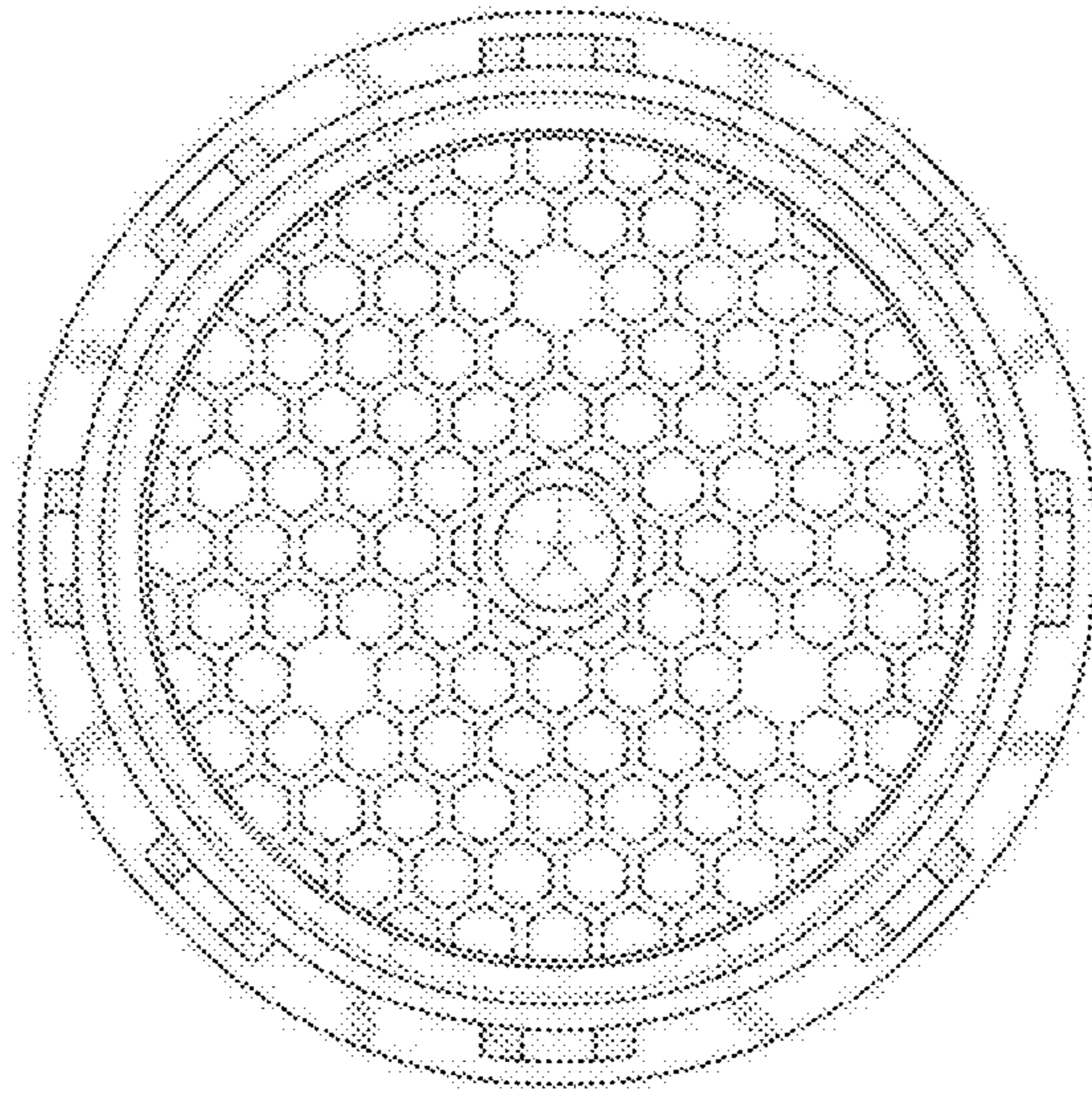


Fig. 4

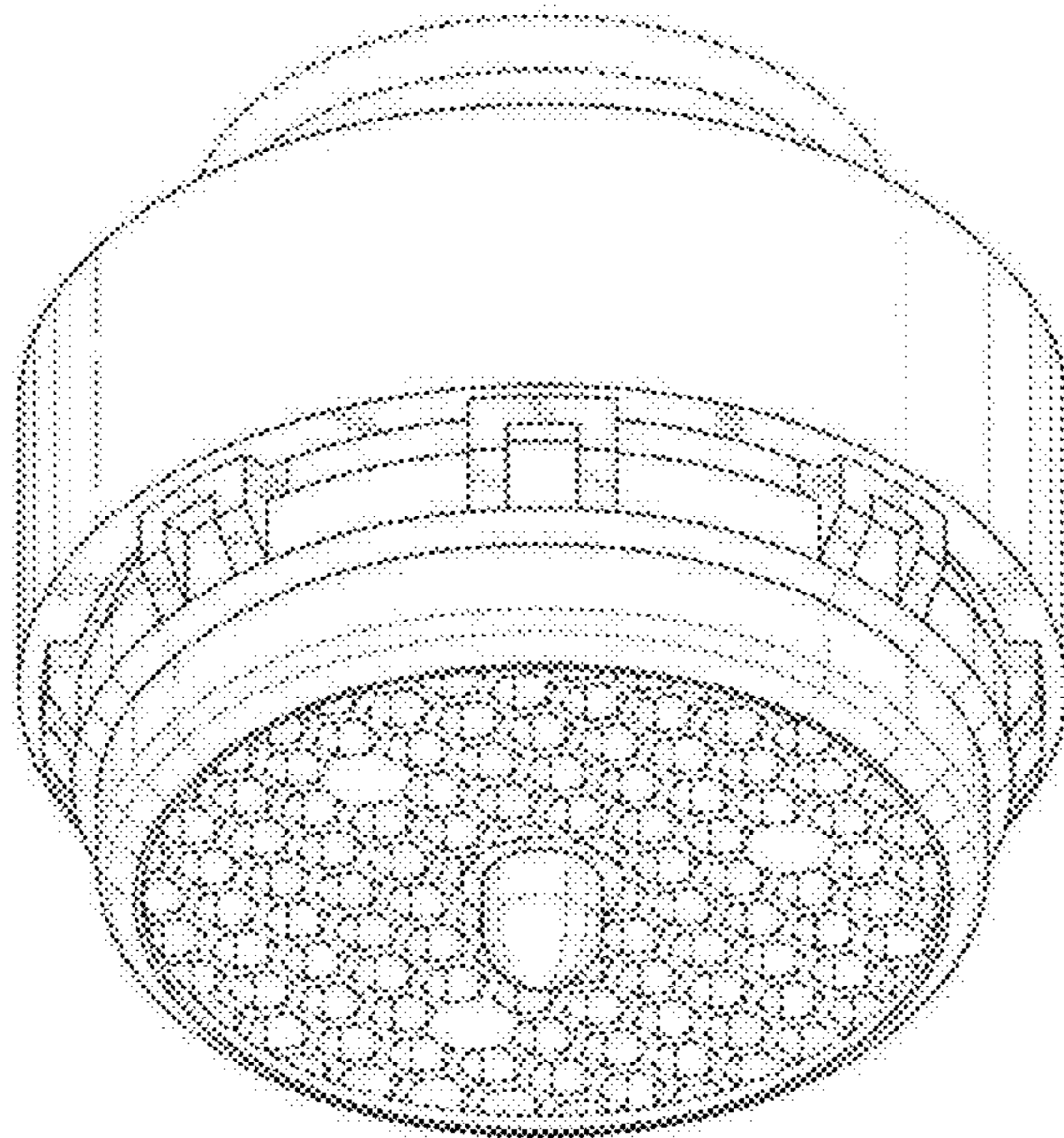


Fig. 5

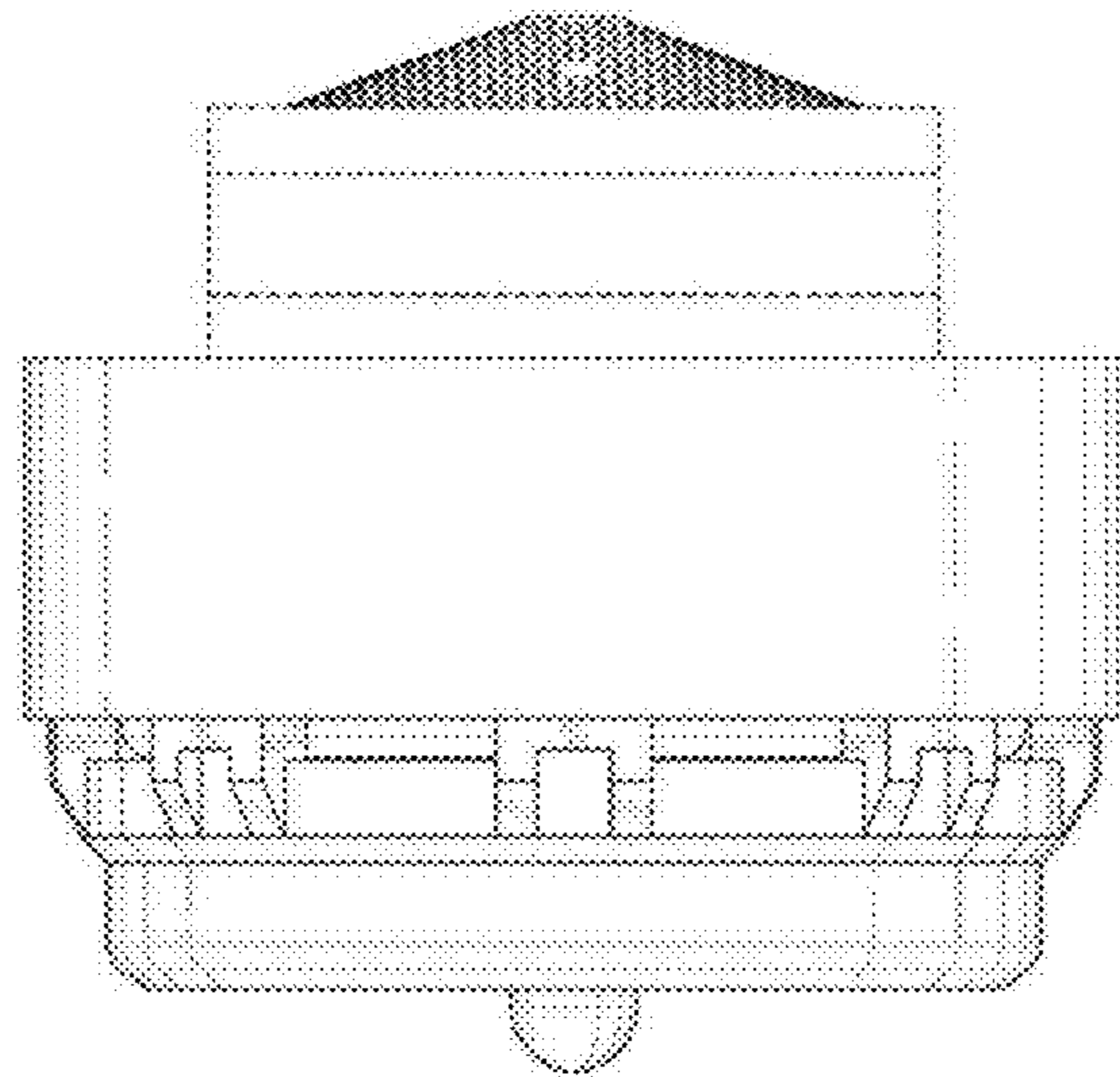


Fig. 6

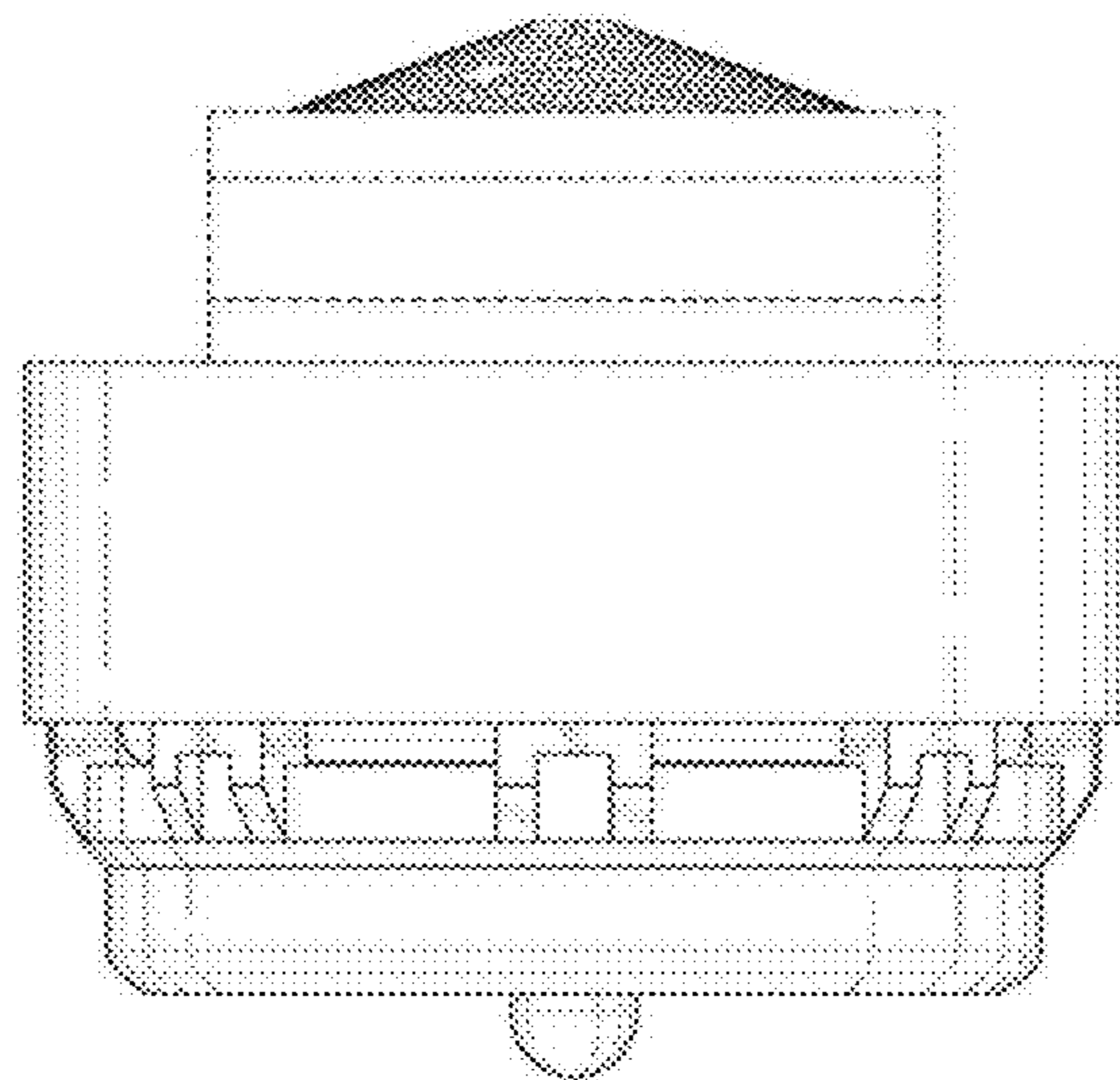


Fig. 7

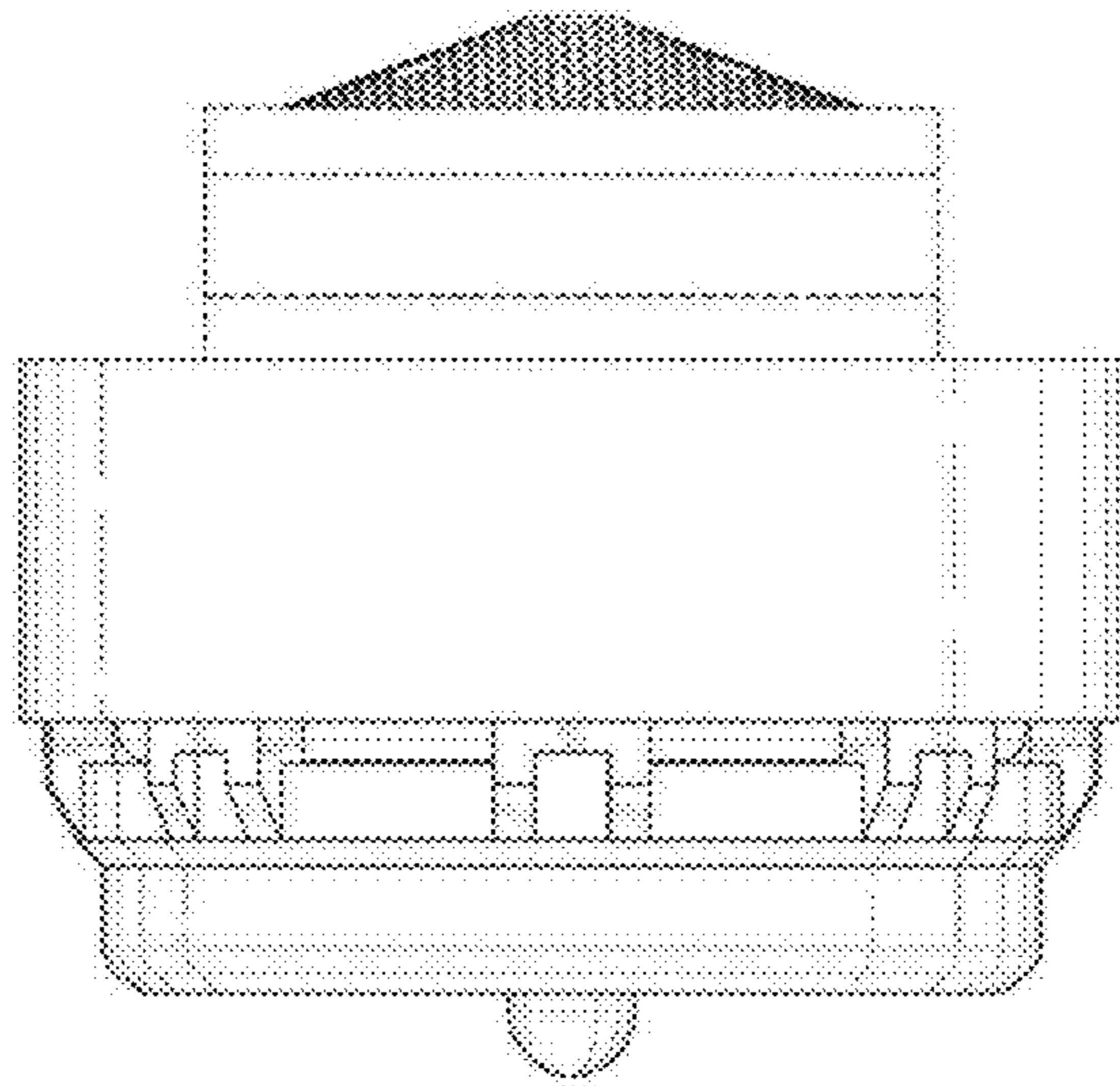


Fig. 8

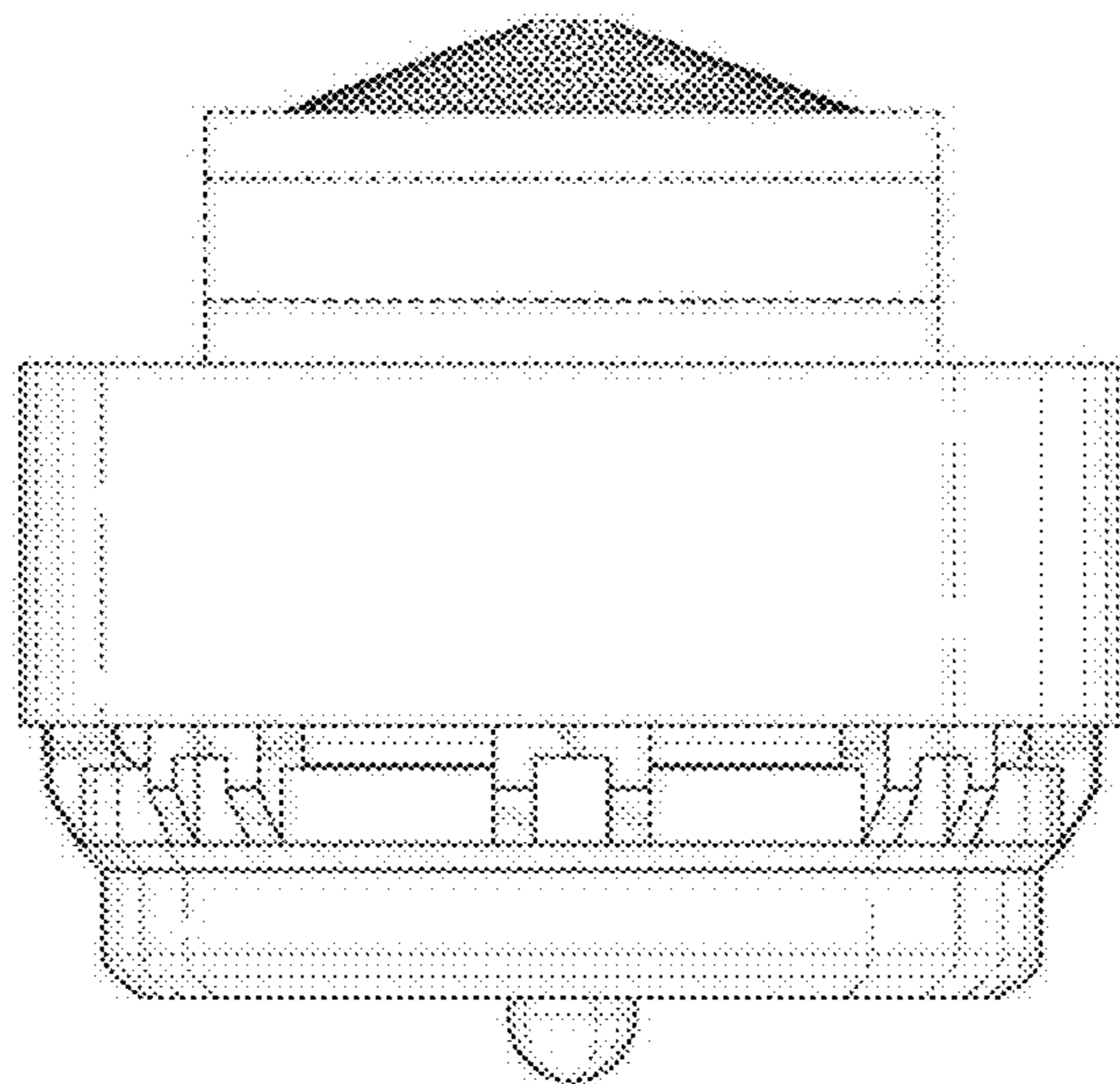


Fig. 9

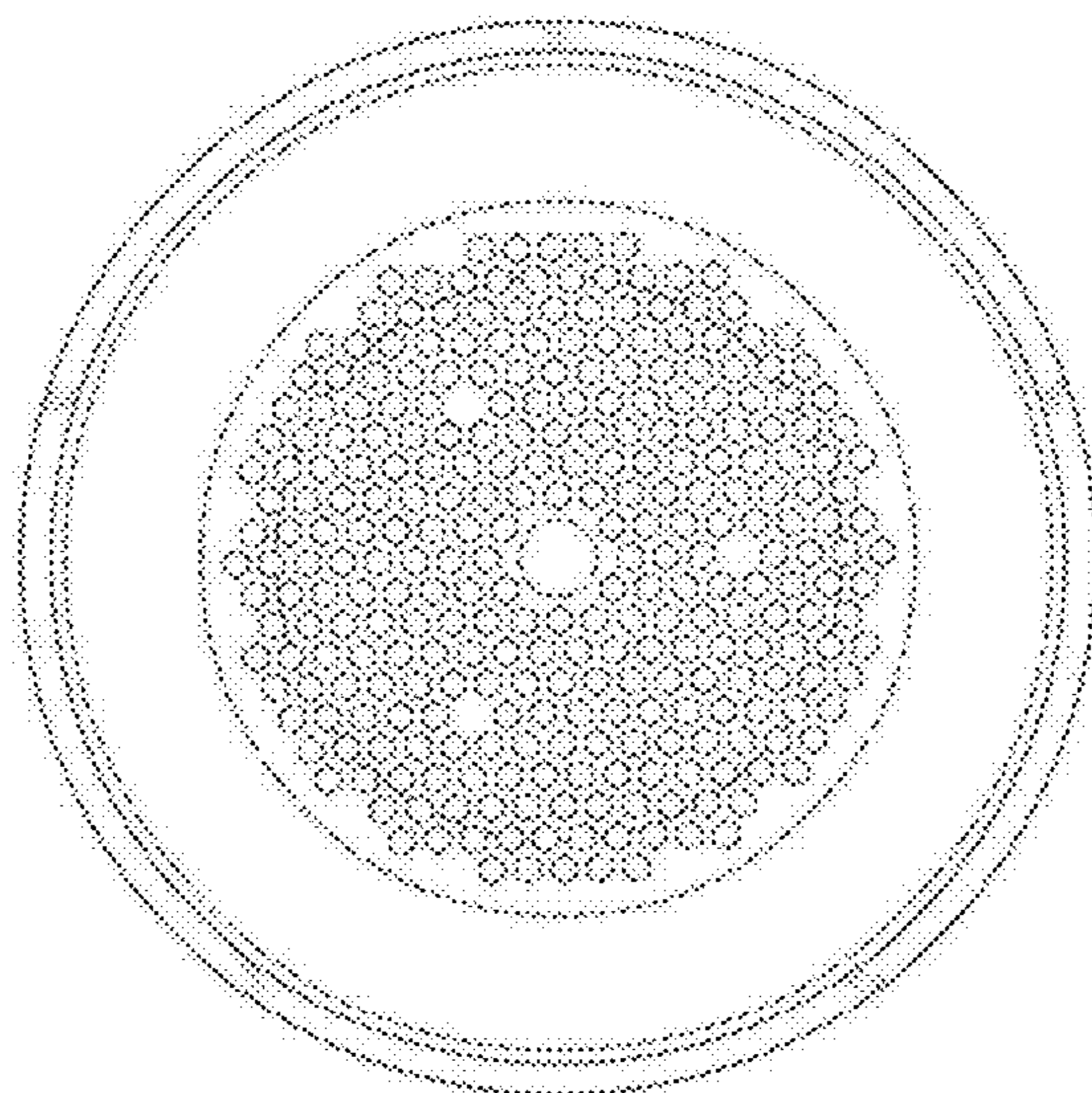


Fig. 10

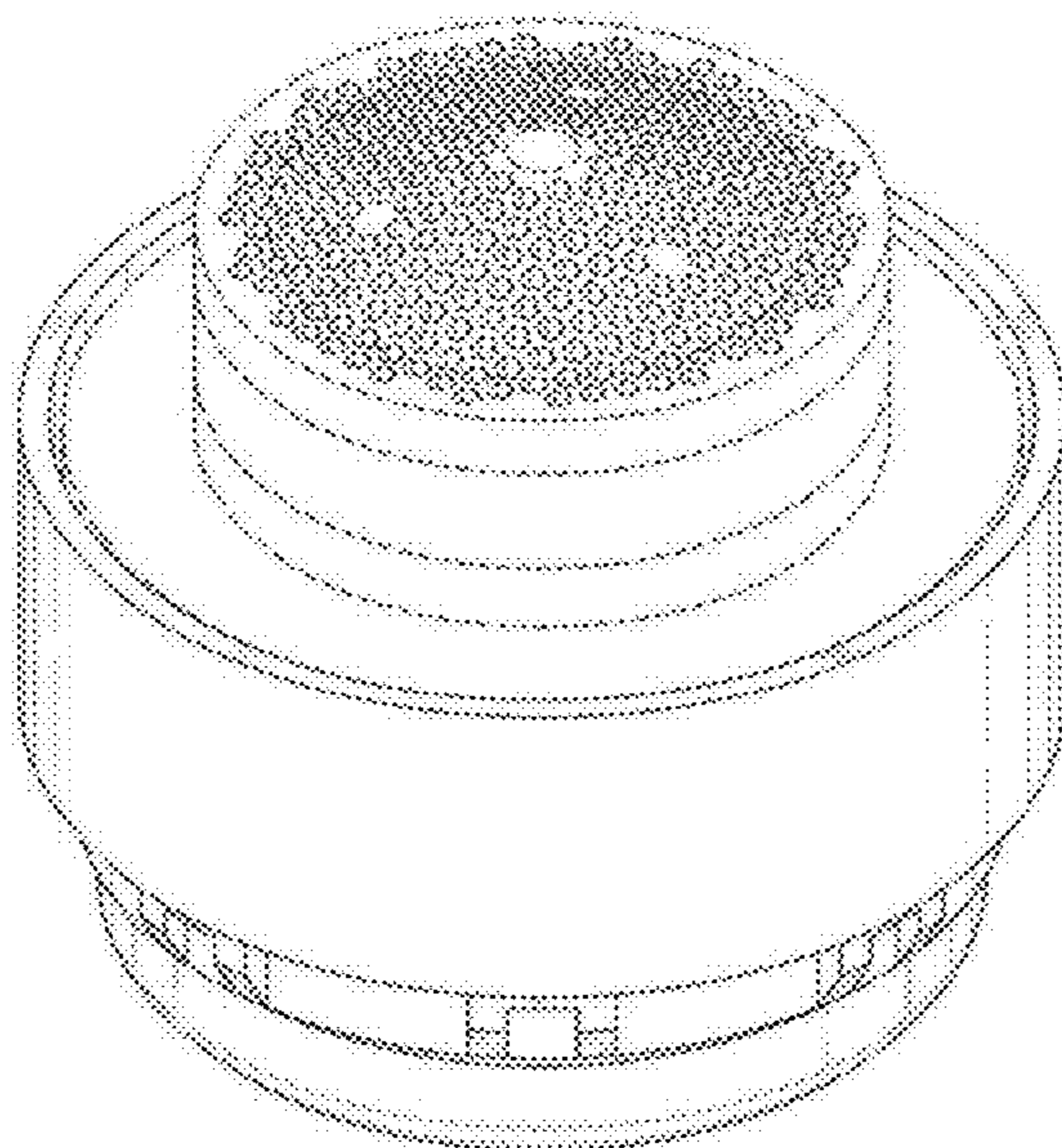


Fig. 11

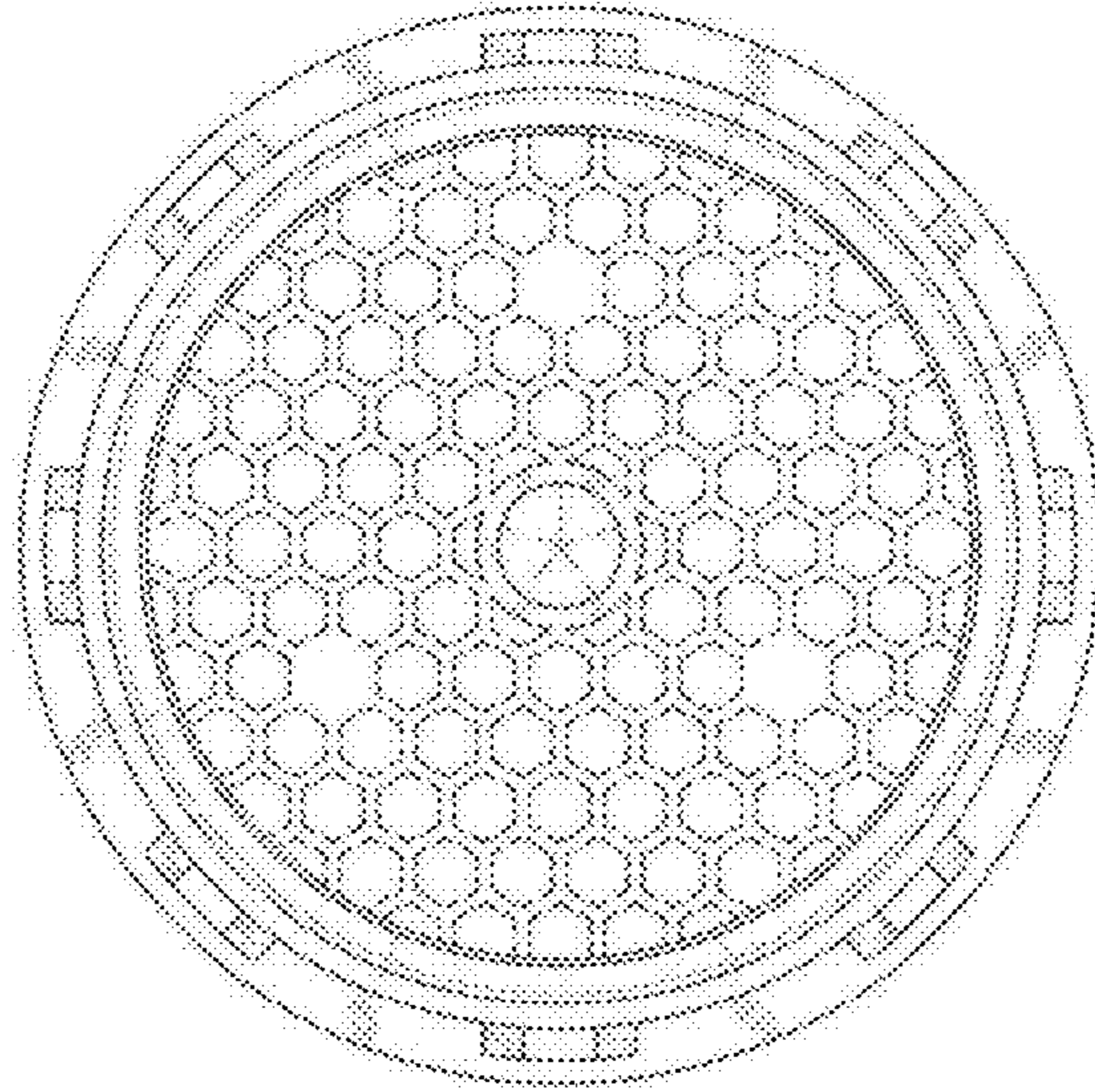


Fig. 12

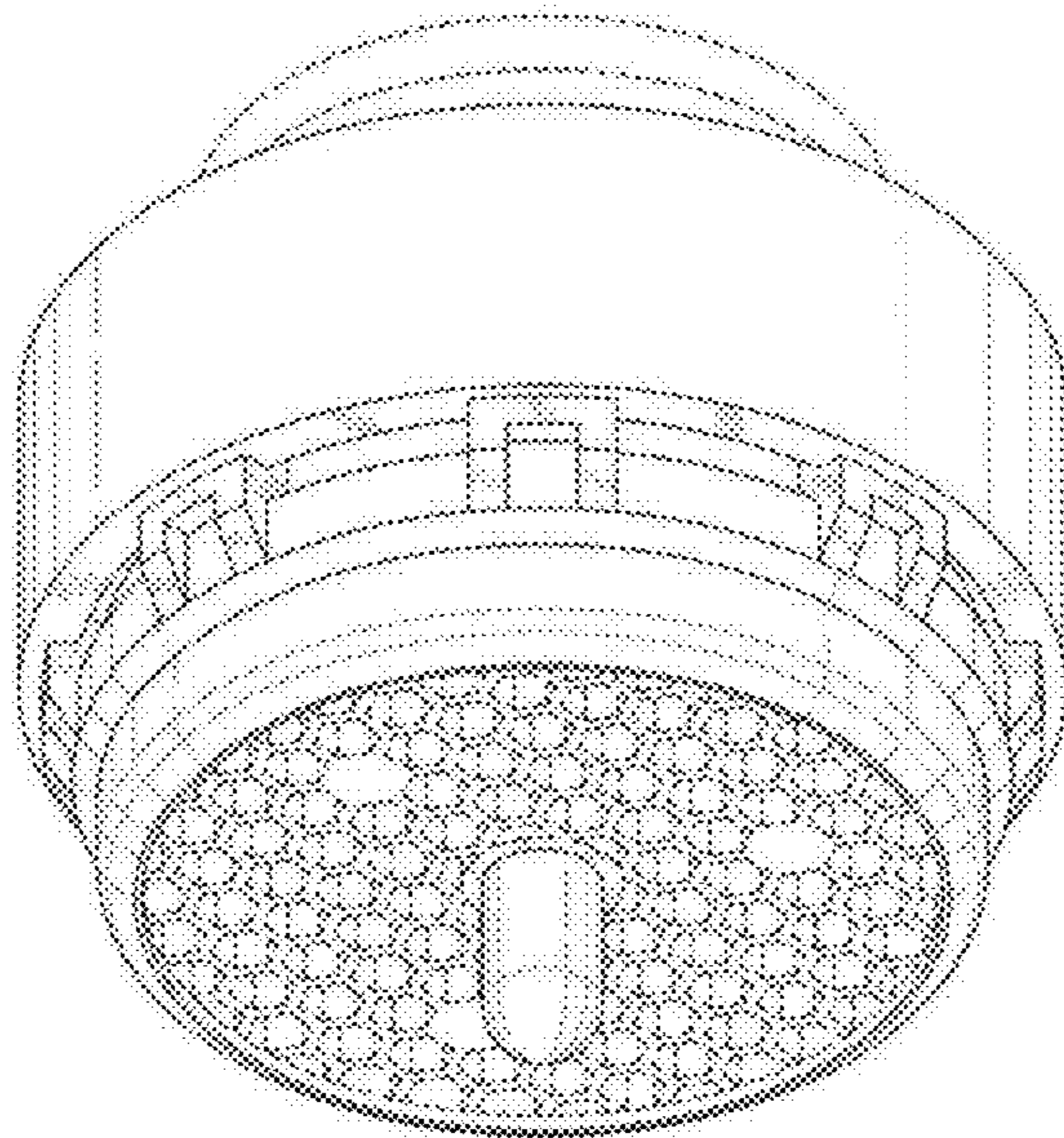


Fig. 13

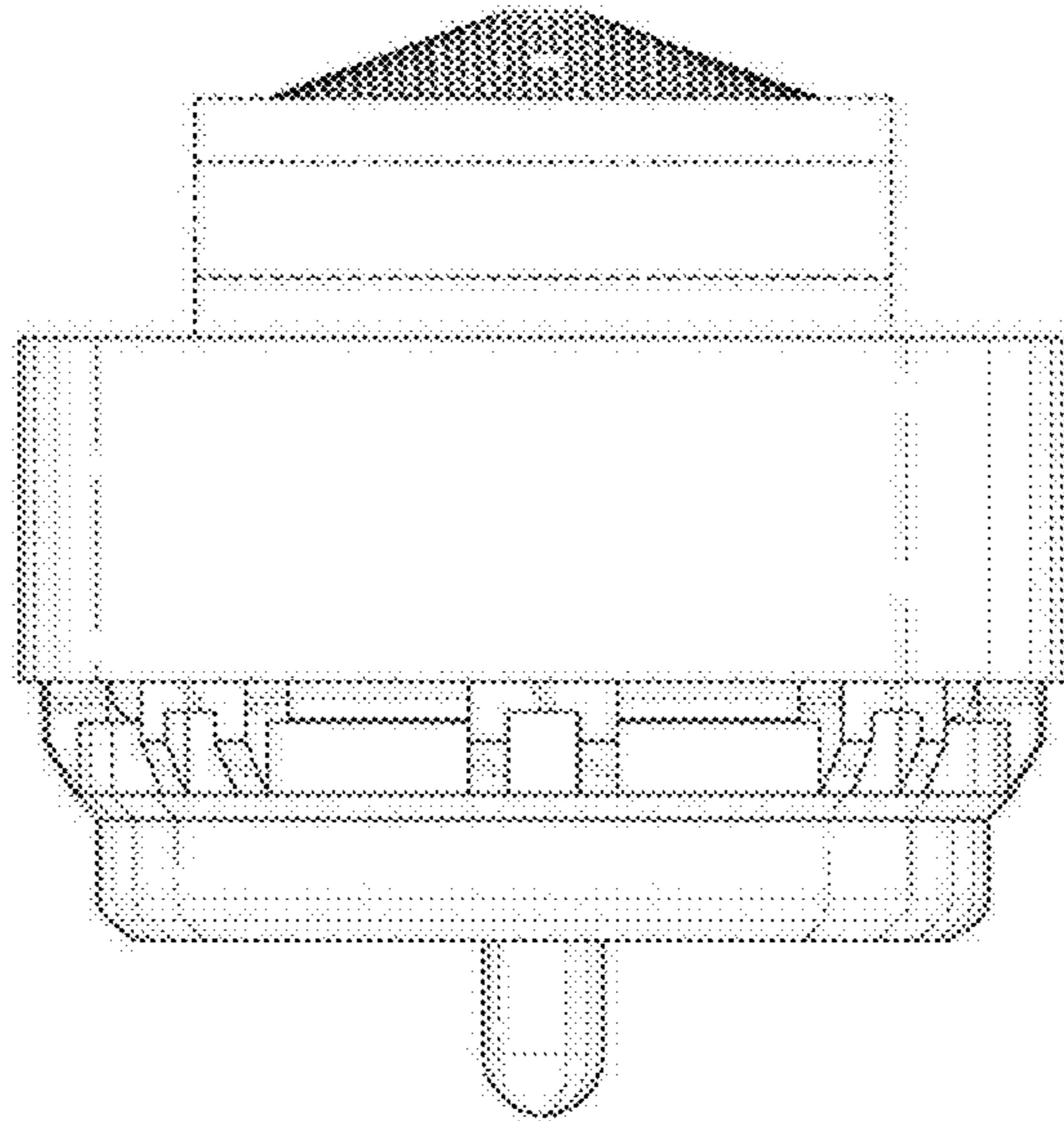


Fig. 14

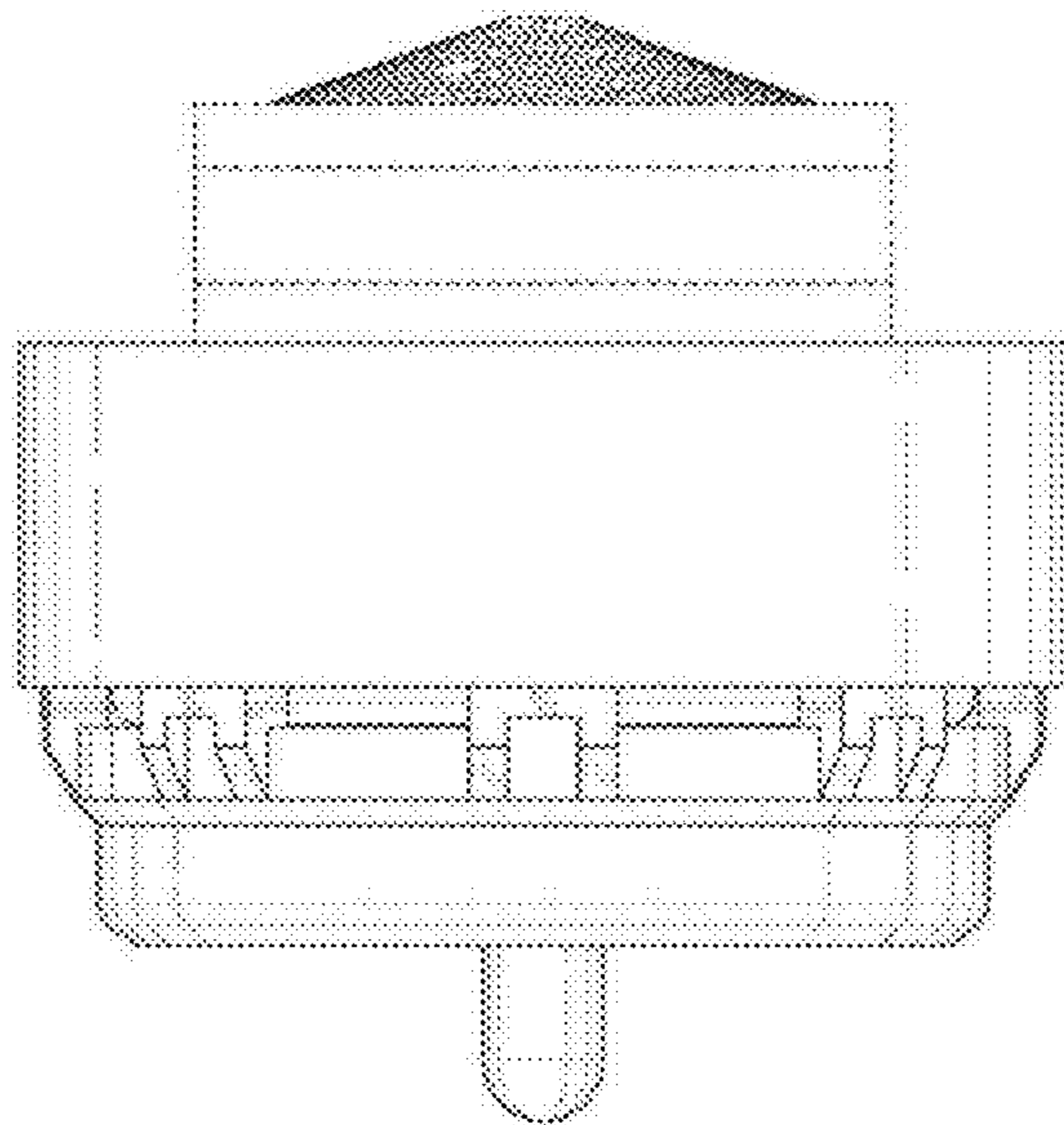


Fig. 15

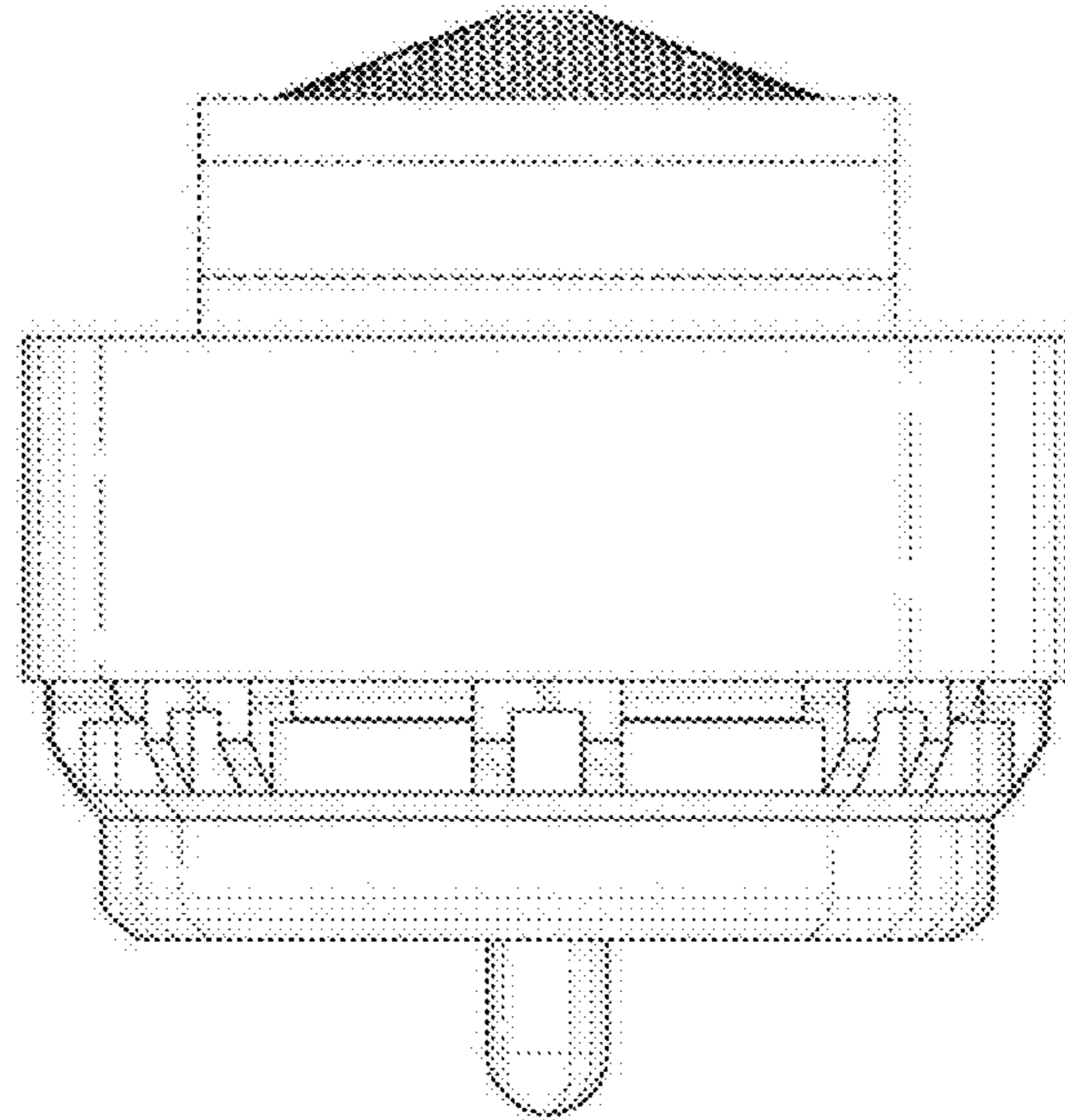


Fig. 16

