



US00D868932S

(12) **United States Design Patent**
Zhu

(10) **Patent No.:** **US D868,932 S**

(45) **Date of Patent:** **** *Dec. 3, 2019**

(54) **MOSQUITO LAMP**

(71) Applicant: **Yan Zhu**, Shenzhen (CN)

(72) Inventor: **Yan Zhu**, Shenzhen (CN)

(*) Notice: This patent is subject to a terminal disclaimer.

(**) Term: **15 Years**

(21) Appl. No.: **29/635,830**

(22) Filed: **Feb. 2, 2018**

(51) **LOC (12) Cl.** **22-06**

(52) **U.S. Cl.**
USPC **D22/123**

(58) **Field of Classification Search**
USPC D22/119–134; 43/112–113, 124, 131, 43/139
CPC A01M 1/06; A01M 23/12; A01M 31/002
See application file for complete search history.

(56) **References Cited**

U.S. PATENT DOCUMENTS

D282,954 S *	3/1986	Ganor	D22/123
D302,578 S *	8/1989	Lee	D22/123
D302,840 S *	8/1989	den Braber	D22/123
D323,015 S *	1/1992	Brookshire	D22/123

D367,913 S *	3/1996	Hafford	D22/123
D612,902 S *	3/2010	Fleming	D22/123
8,701,339 B1 *	4/2014	Walsh	A01M 31/002 43/139
D787,011 S *	5/2017	Zhang	D22/123
D831,784 S *	10/2018	Rubel	D22/123

* cited by examiner

Primary Examiner — Catherine R Oliver-Garcia
(74) *Attorney, Agent, or Firm* — Law Offices of Steven W. Weinrieb

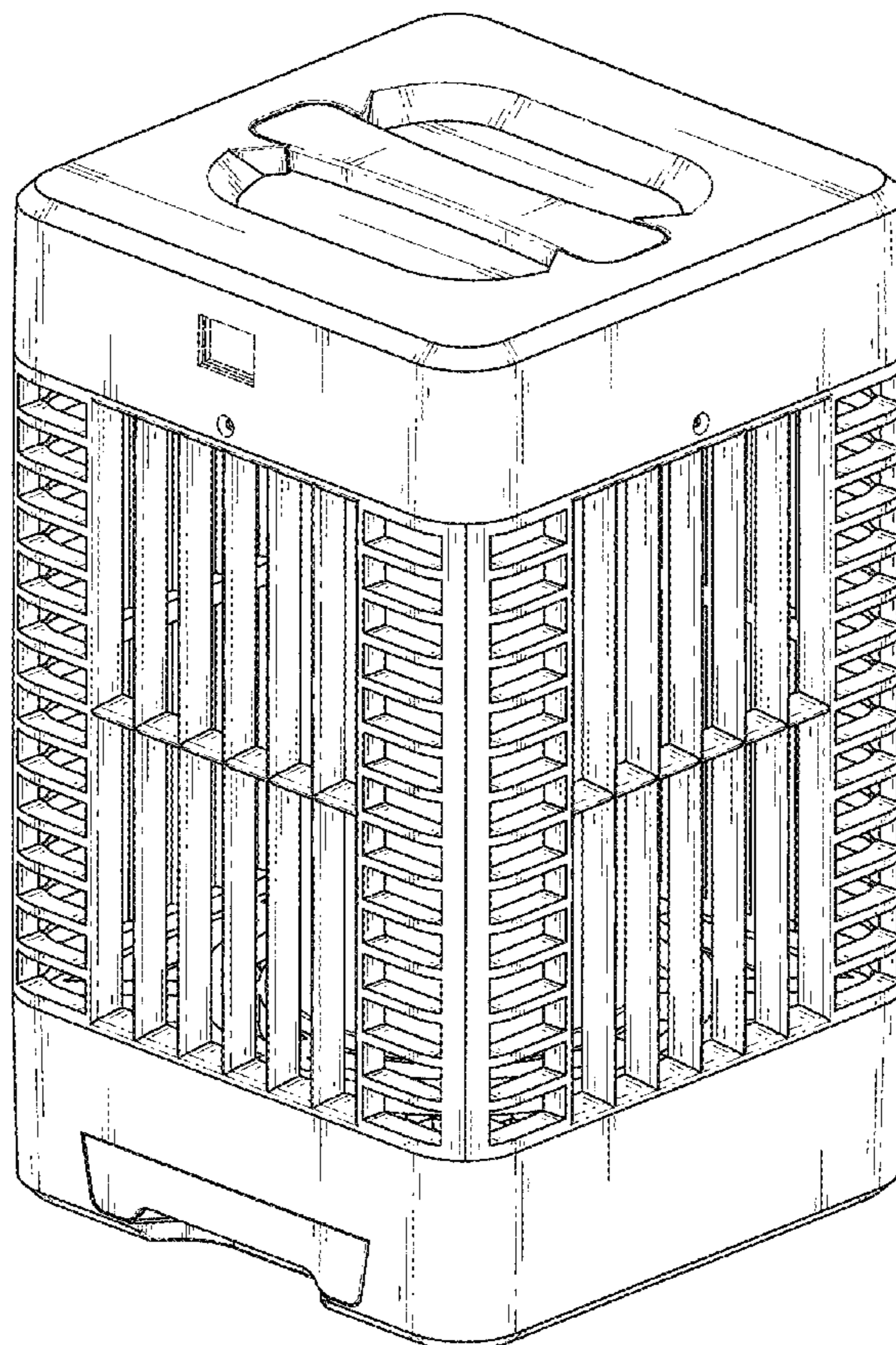
(57) **CLAIM**

The ornamental design for a mosquito lamp, as shown and described.

DESCRIPTION

FIG. 1 is a front, right side, top perspective view of the mosquito lamp showing my new design;
FIG. 2 is a rear, left side, bottom perspective view thereof;
FIG. 3 is a front elevational view thereof;
FIG. 4 is a rear elevational view thereof;
FIG. 5 is a left side elevational view thereof;
FIG. 6 is a right side elevational view thereof;
FIG. 7 is a top plan view thereof;
FIG. 8 is a bottom plan view thereof; and,
FIG. 9 is an environmental perspective view thereof.
The broken lines depict environment that forms no part of the claimed design.

1 Claim, 9 Drawing Sheets



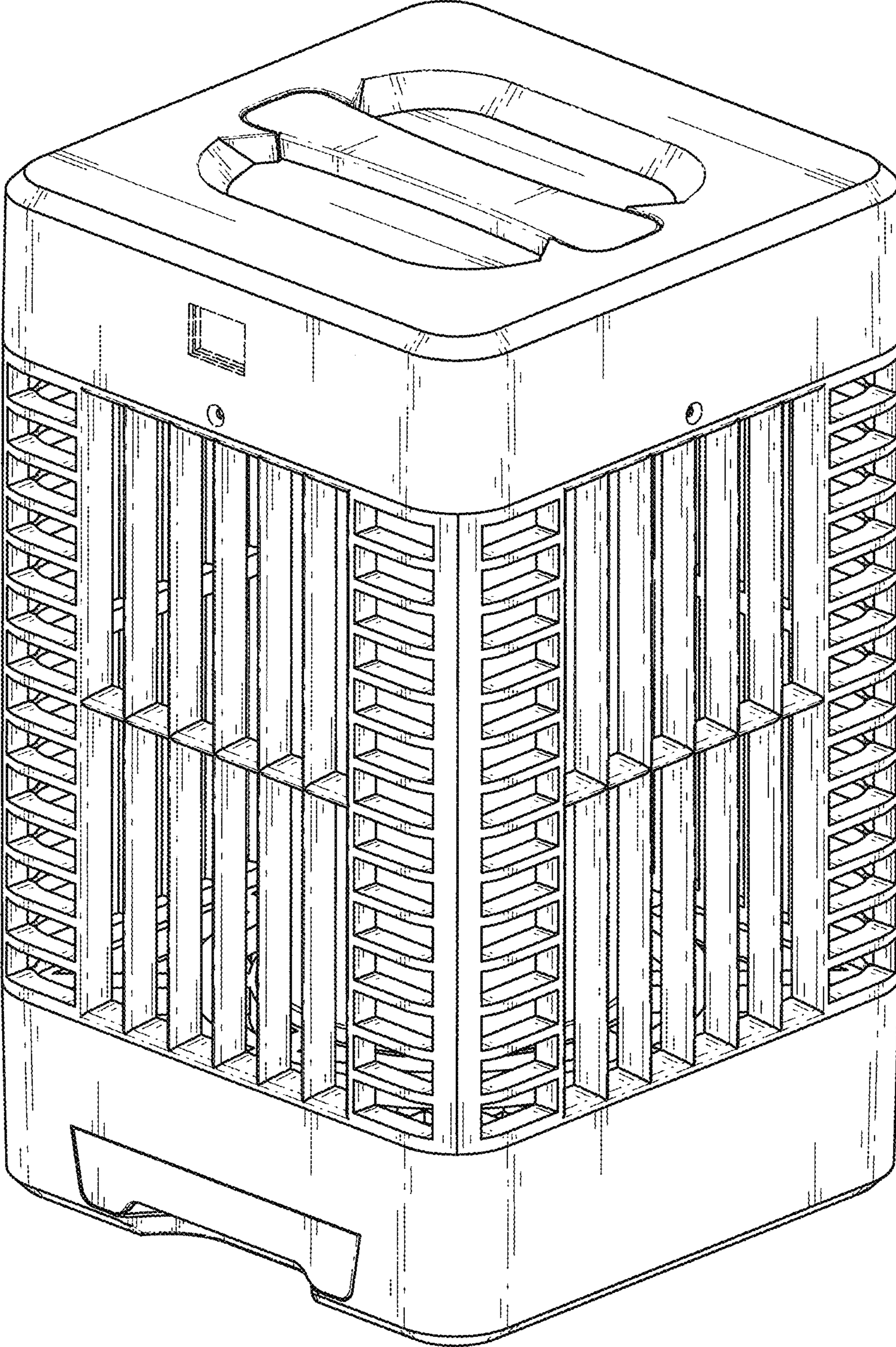


FIG. 1

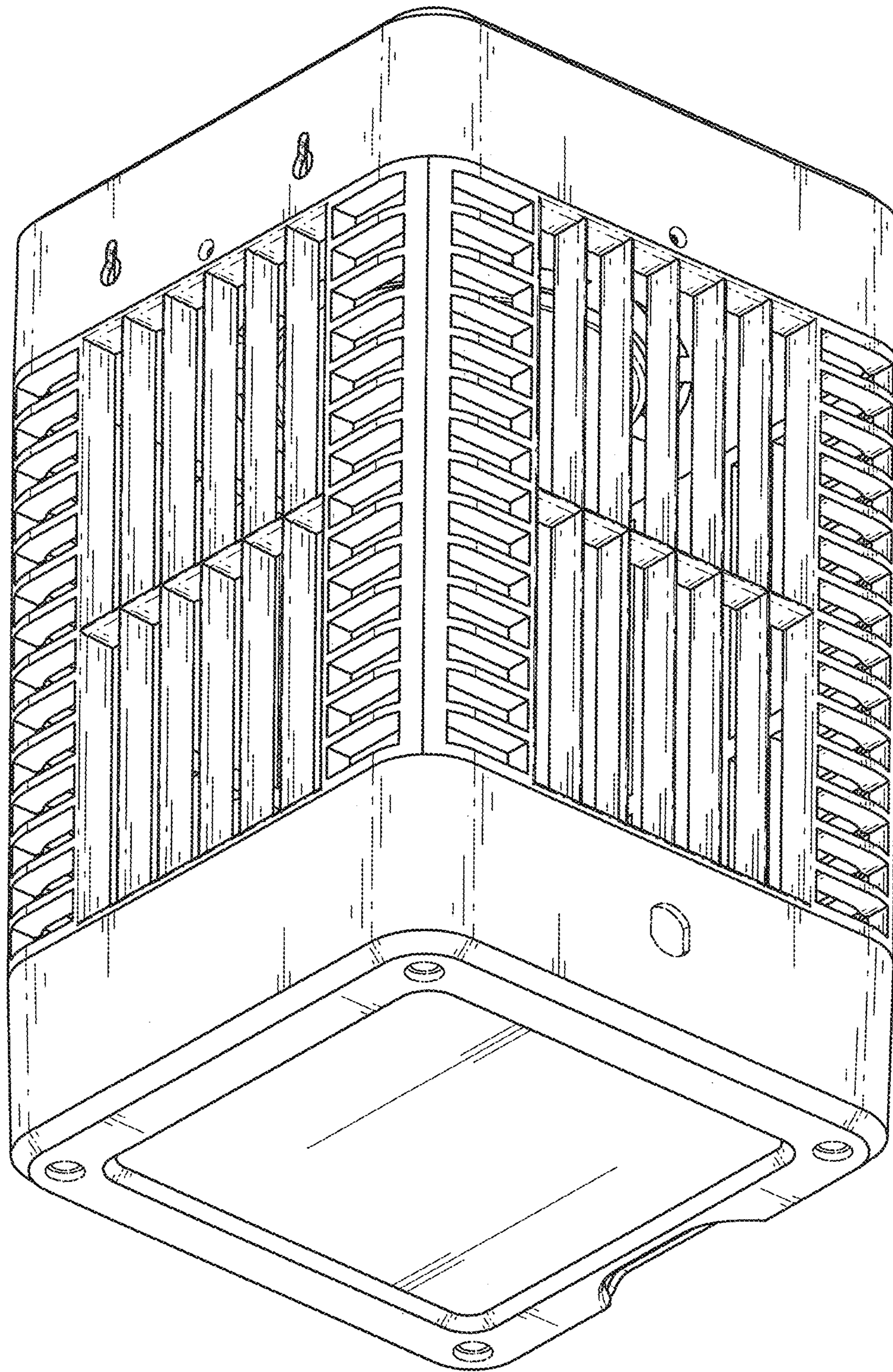


FIG. 2

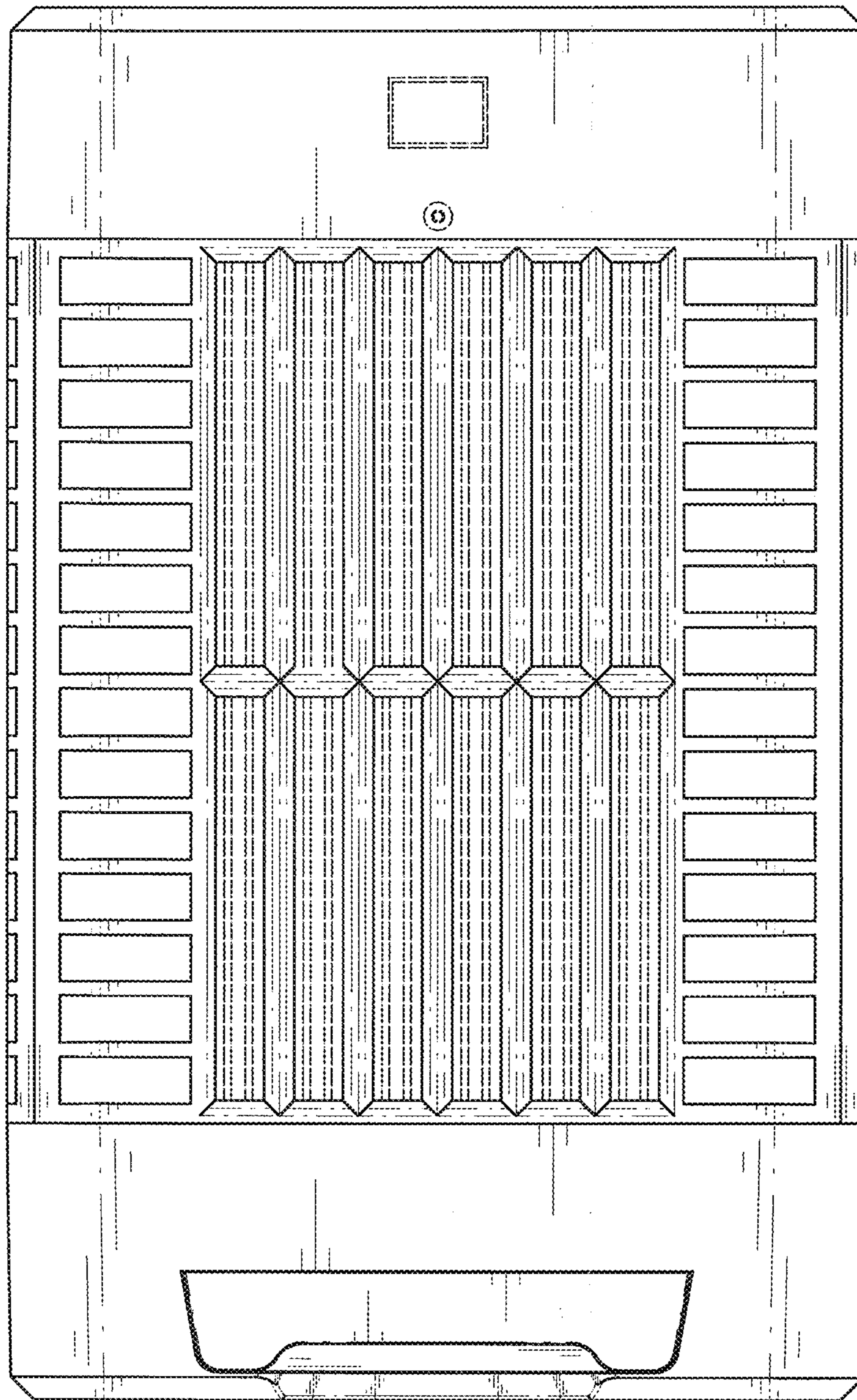


FIG. 3

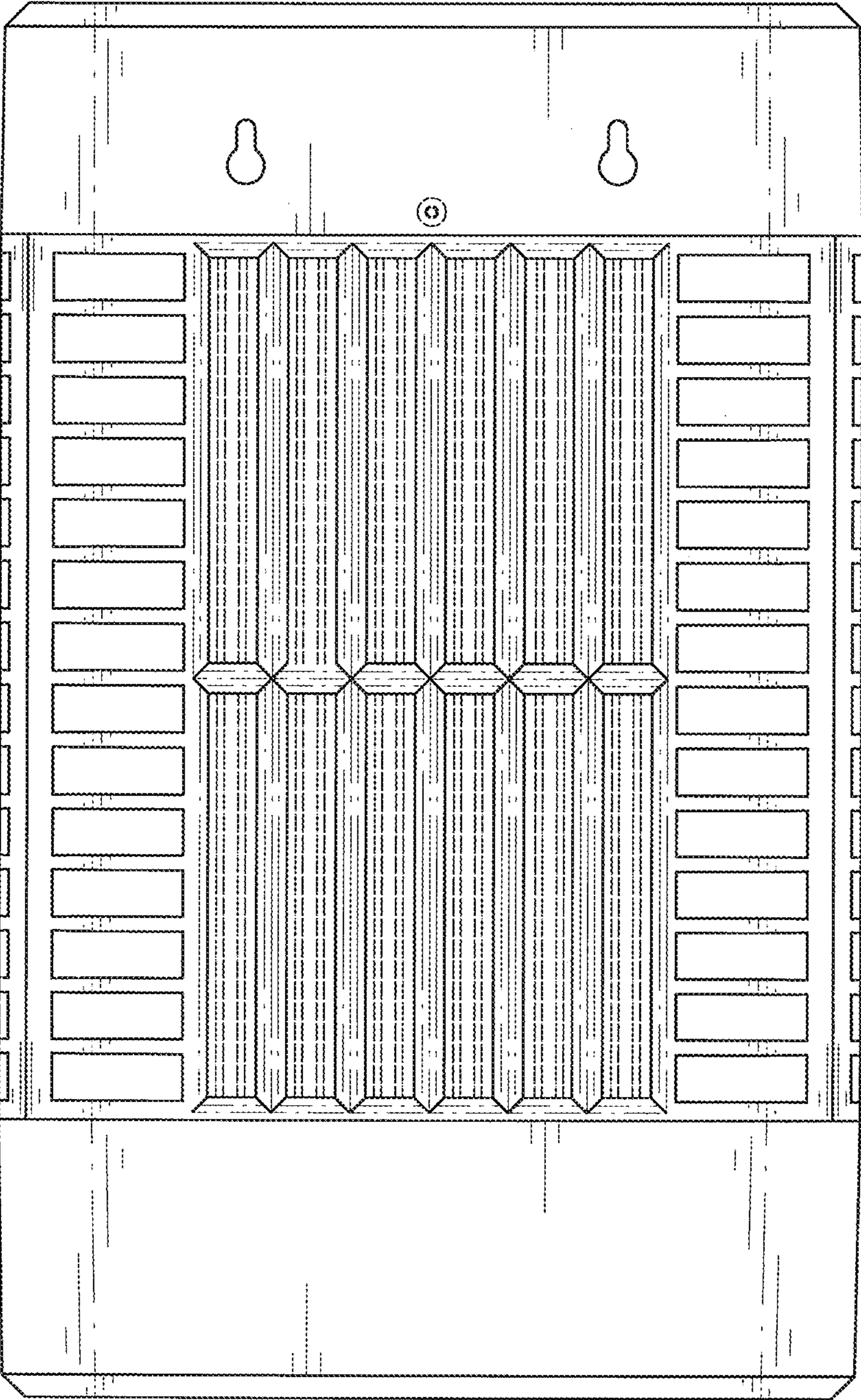


FIG. 4

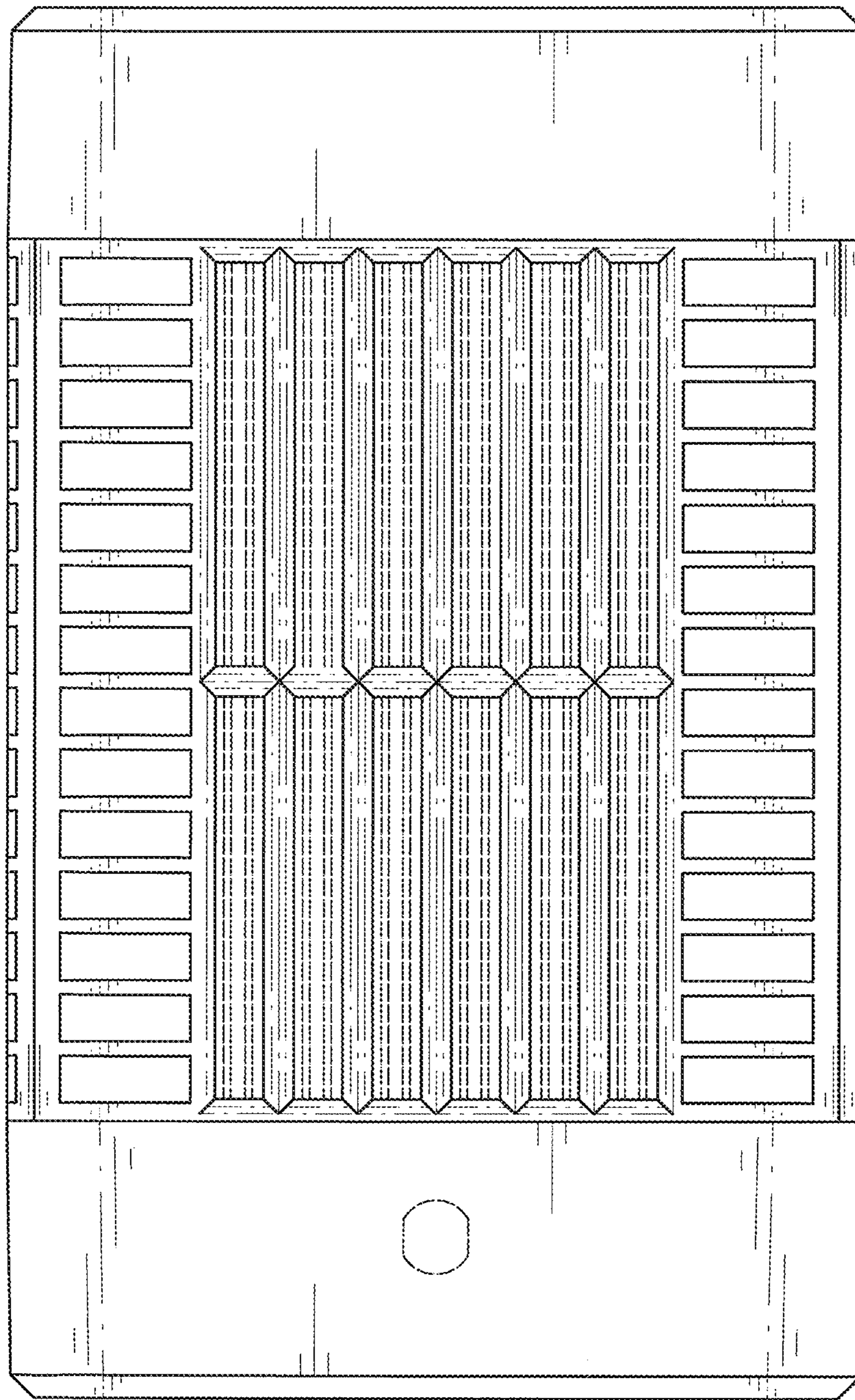


FIG. 5

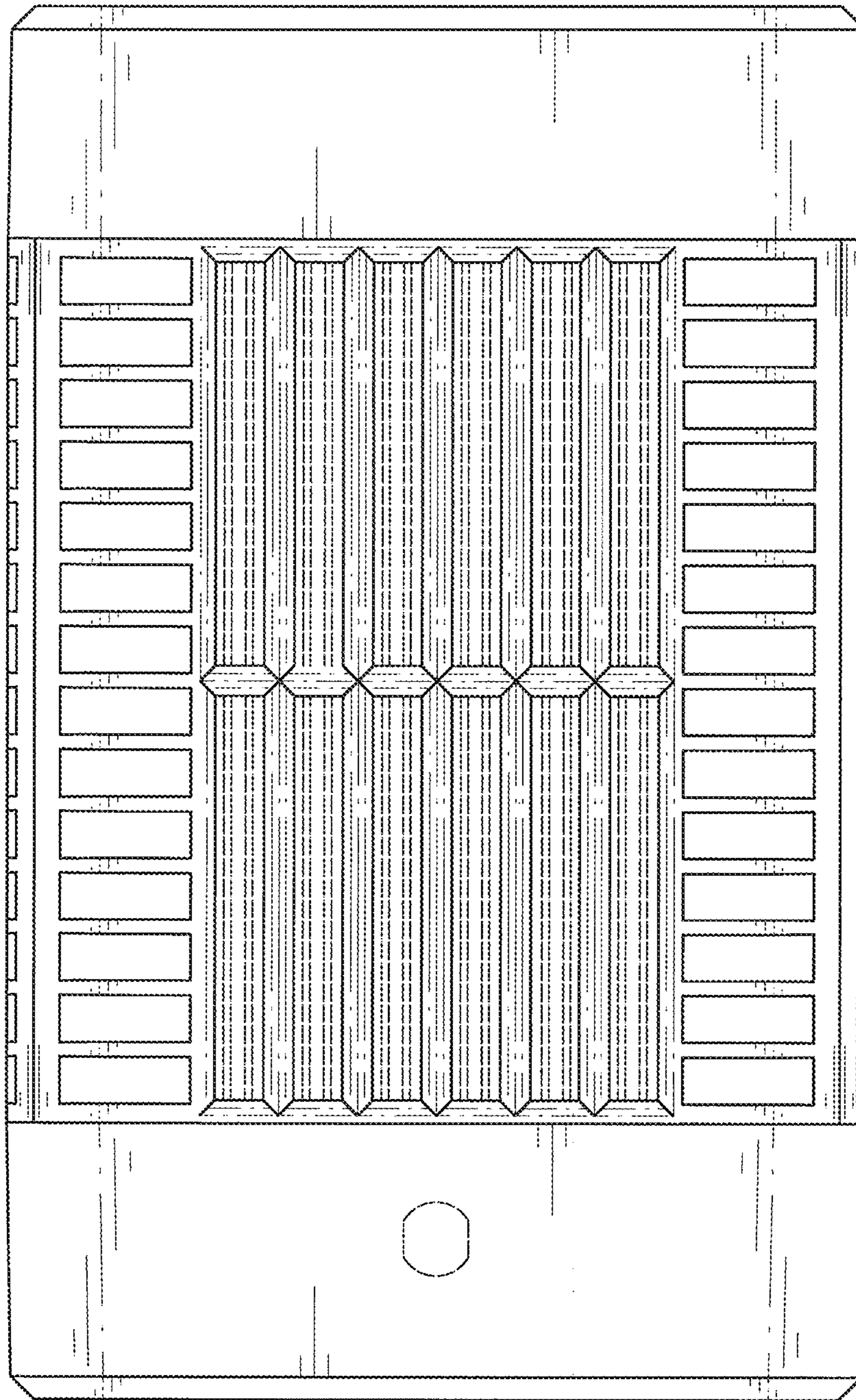


FIG. 6

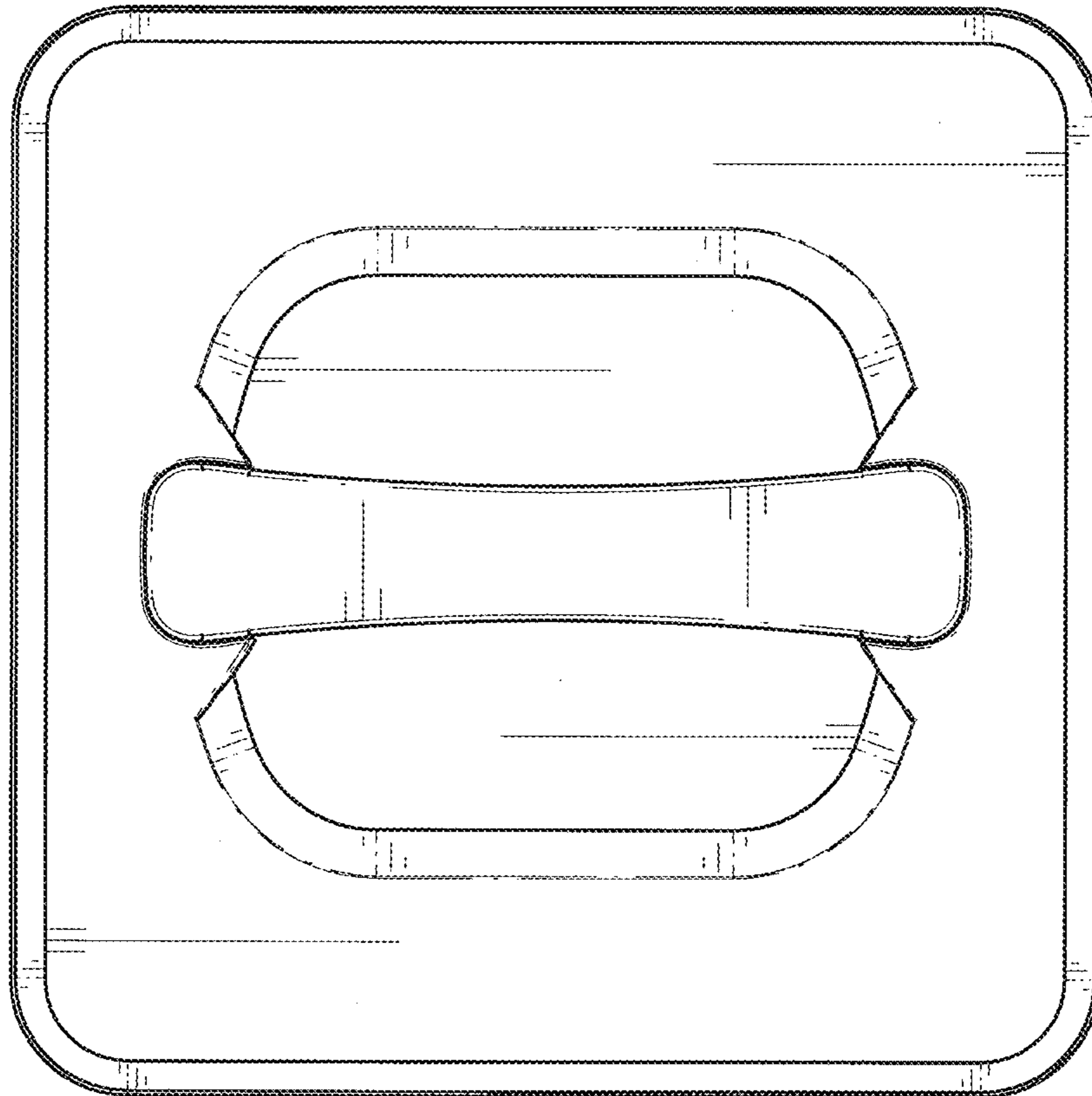


FIG. 7

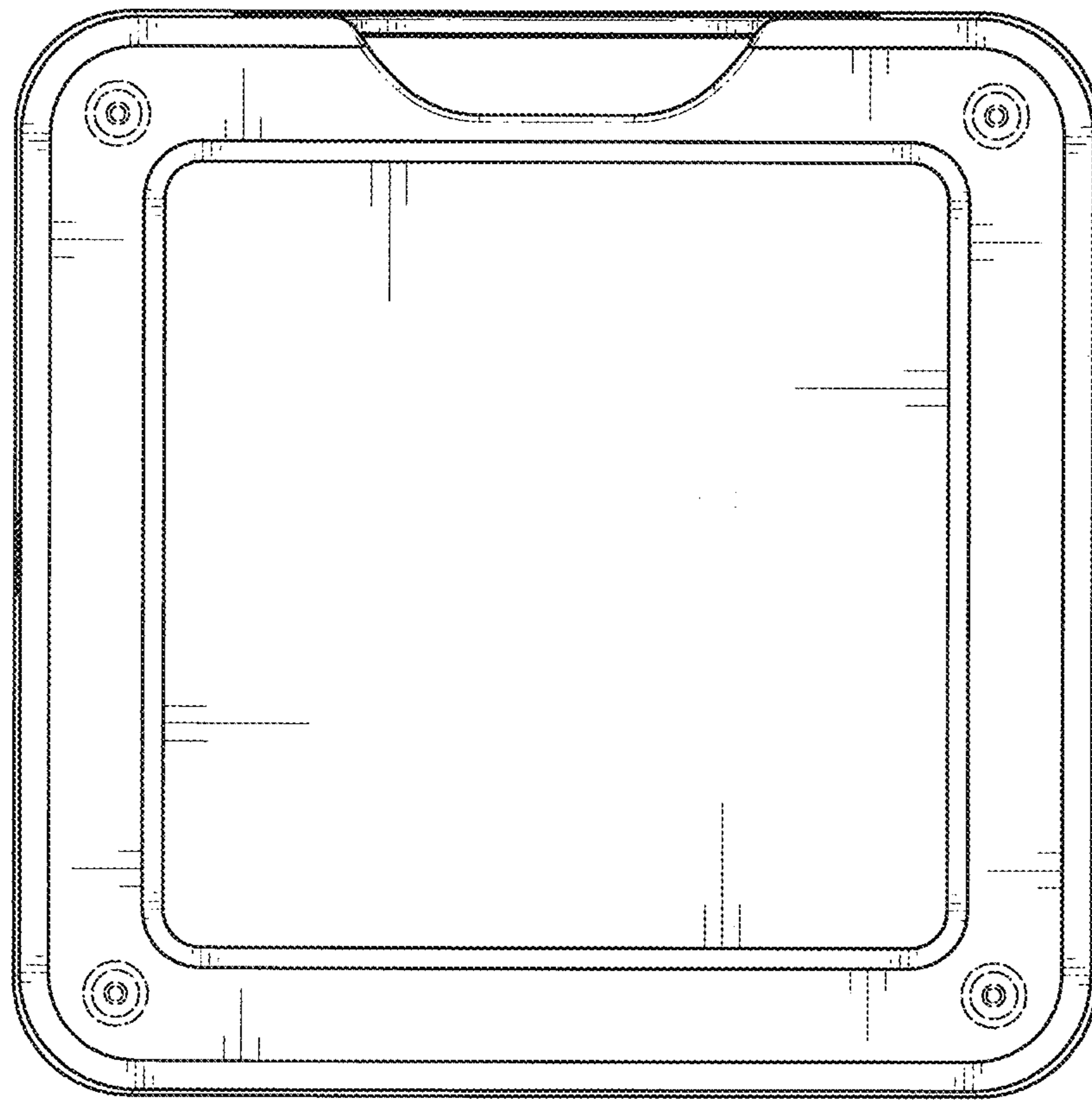


FIG. 8

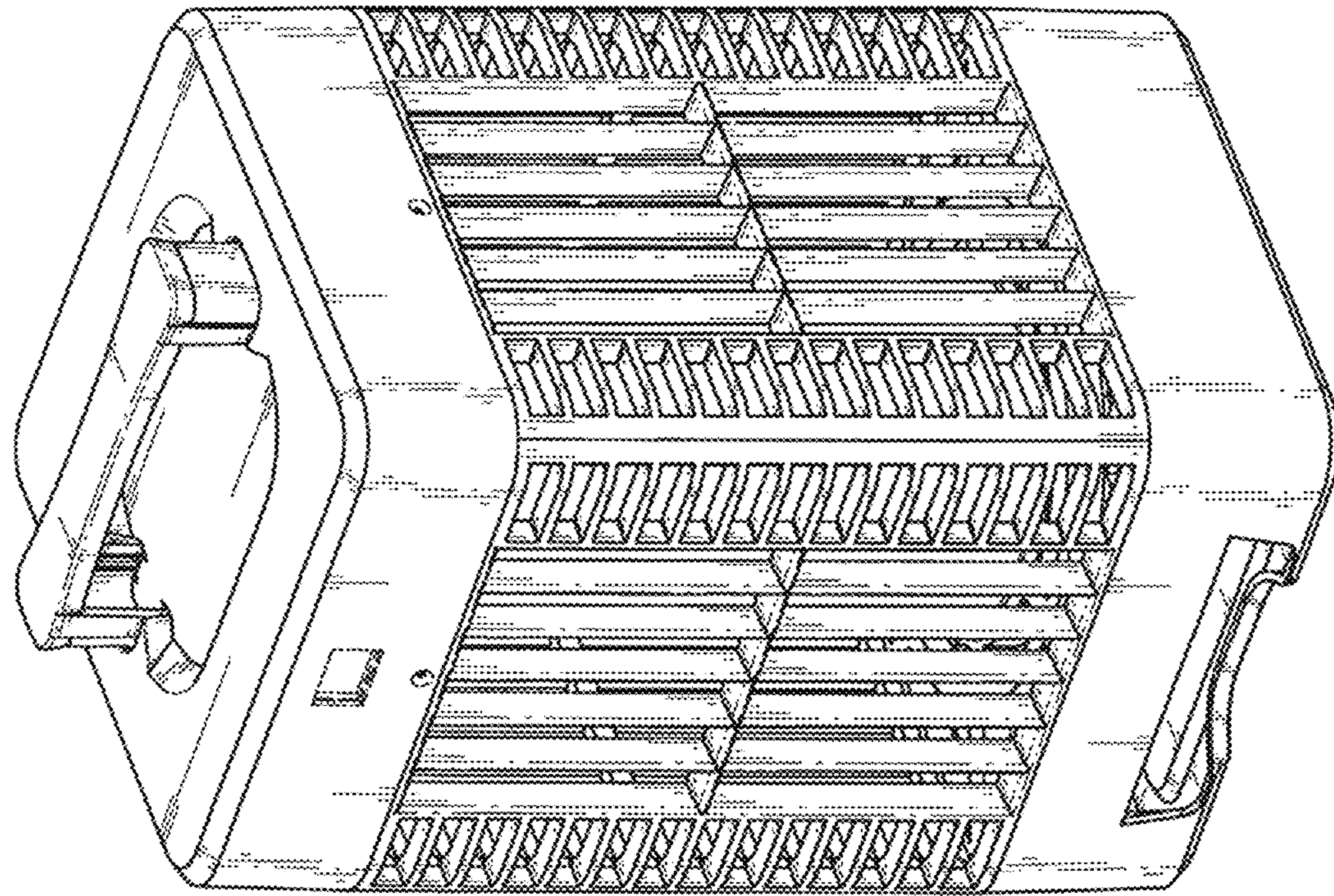


FIG. 9

