

US00D868931S

(12) **United States Design Patent**  
**White**

(10) **Patent No.:** **US D868,931 S**

(45) **Date of Patent:** **\*\* Dec. 3, 2019**

(54) **LOW VOLUME SUBSONIC BULLET  
CARTRIDGE CASE**

(71) Applicant: **Mark White**, Nordland, WA (US)

(72) Inventor: **Mark White**, Nordland, WA (US)

(\*\*) Term: **15 Years**

(21) Appl. No.: **29/691,774**

(22) Filed: **May 20, 2019**

(51) **LOC (12) Cl.** ..... **22-03**

(52) **U.S. Cl.**  
USPC ..... **D22/116**

(58) **Field of Classification Search**  
USPC ..... D22/115-116  
CPC .. F41A 15/00; F41A 21/12; F42B 5/02; F42B  
5/26; F42B 5/30; F42B 5/025; F42B  
30/02

See application file for complete search history.

(56) **References Cited**

U.S. PATENT DOCUMENTS

405,690	A *	6/1889	Ball	.....	F42B 14/064 102/520
726,291	A *	4/1903	Holmblad	.....	F42B 12/06 102/517
3,099,958	A *	8/1963	Daubenspeck	.....	F42B 5/307 102/449
3,498,221	A *	3/1970	Hilton	.....	B21C 23/01 102/464
7,086,336	B2 *	8/2006	Smalley, Jr.	.....	F41A 21/12 102/430
8,763,535	B2 *	7/2014	Padgett	.....	F42B 5/313 102/467
9,885,551	B2 *	2/2018	Burrow	.....	F42B 5/307
D813,975	S *	3/2018	White	.....	D22/116

D836,180	S *	12/2018	Burrow	.....	F42B 5/307 D22/116
10,197,366	B2 *	2/2019	Padgett	.....	F42B 8/04
2005/0174399	A1 *	8/2005	Youngberg	.....	B41J 2/17509 347/85
2016/0349023	A1 *	12/2016	Burrow	.....	F42B 5/307
2016/0377399	A1 *	12/2016	Burrow	.....	F42B 33/001 86/18
2017/0261299	A1 *	9/2017	Burrow	.....	F42C 19/083
2018/0245891	A1 *	8/2018	Padgett	.....	F42B 8/04

\* cited by examiner

*Primary Examiner* — Michael A. Pratt

(74) *Attorney, Agent, or Firm* — Lanier Ford Shaver & Payne, PC; Gerald M. Walsh

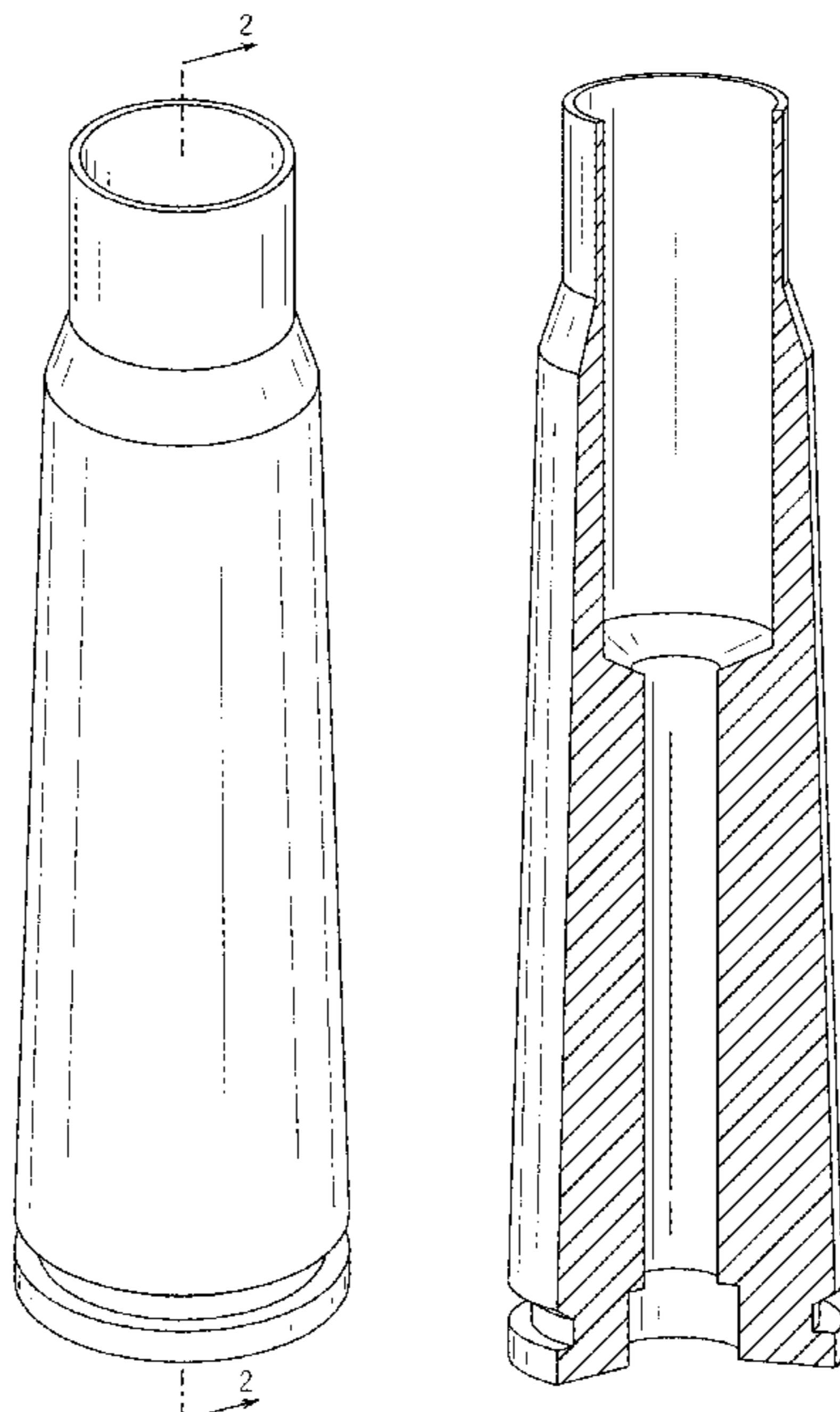
(57) **CLAIM**

The ornamental design for a low volume subsonic bullet cartridge case, as shown and described.

**DESCRIPTION**

FIG. 1 is a top, perspective view of a low volume subsonic bullet cartridge case showing my new design;  
 FIG. 2 is a section perspective view thereof taken along the line 2-2 in FIG. 1.  
 FIG. 3 is a bottom perspective view thereof;  
 FIG. 4 is a side elevational view thereof, the opposing side, front, and rear elevation views being identical;  
 FIG. 5 is a cross-section view thereof taken along the line 5-5 in FIG. 4.  
 FIG. 6 is a top plan view thereof; and,  
 FIG. 7 is a bottom plan view thereof.

**1 Claim, 4 Drawing Sheets**



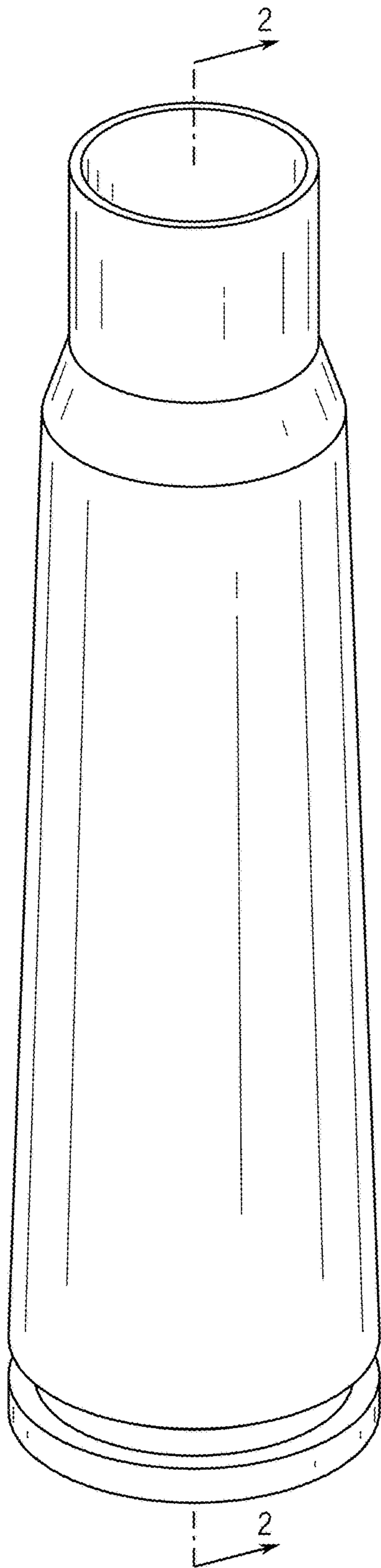


FIG. 1

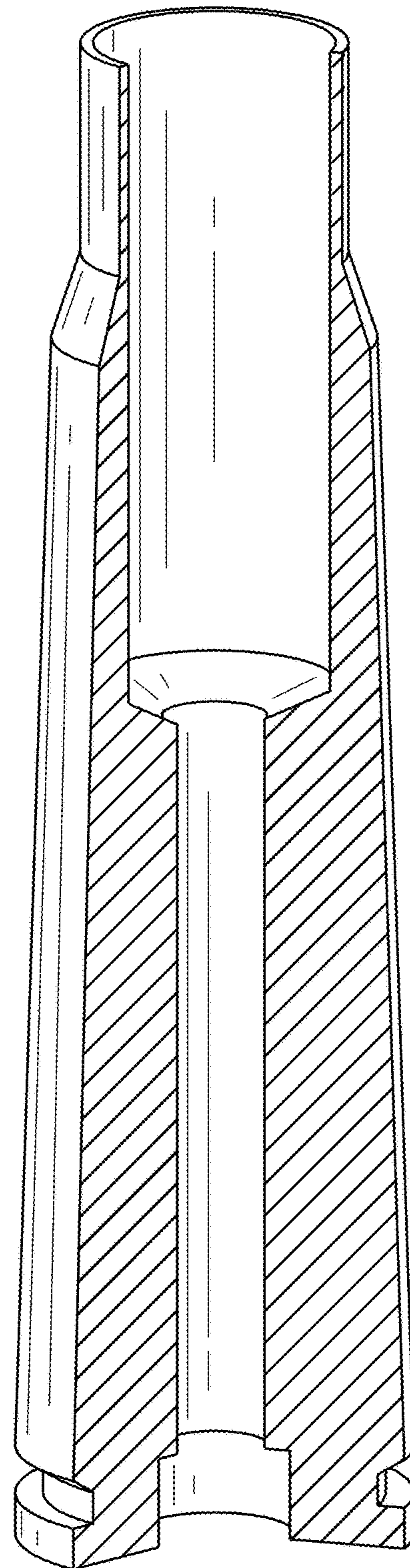


FIG. 2

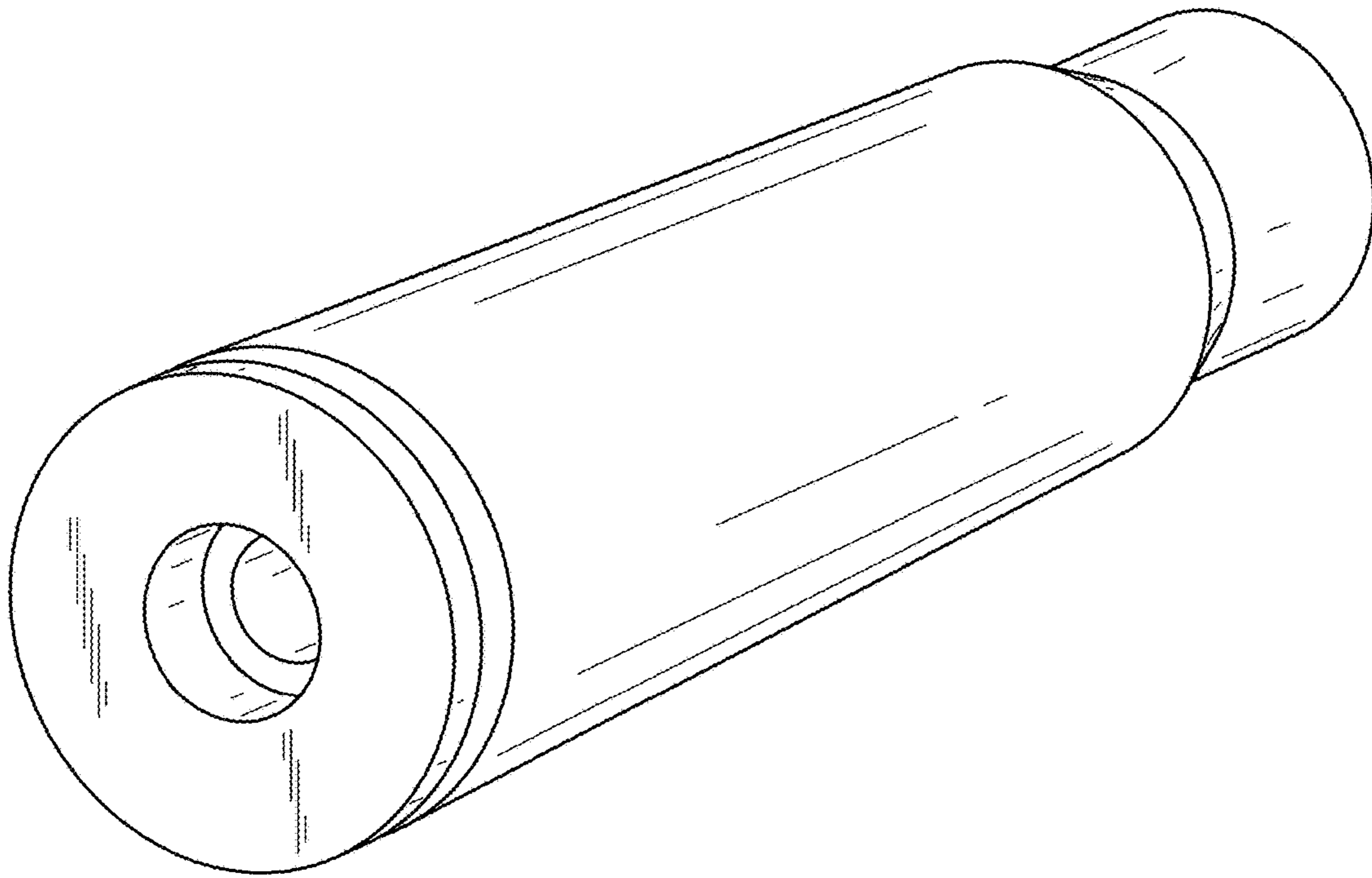


FIG. 3

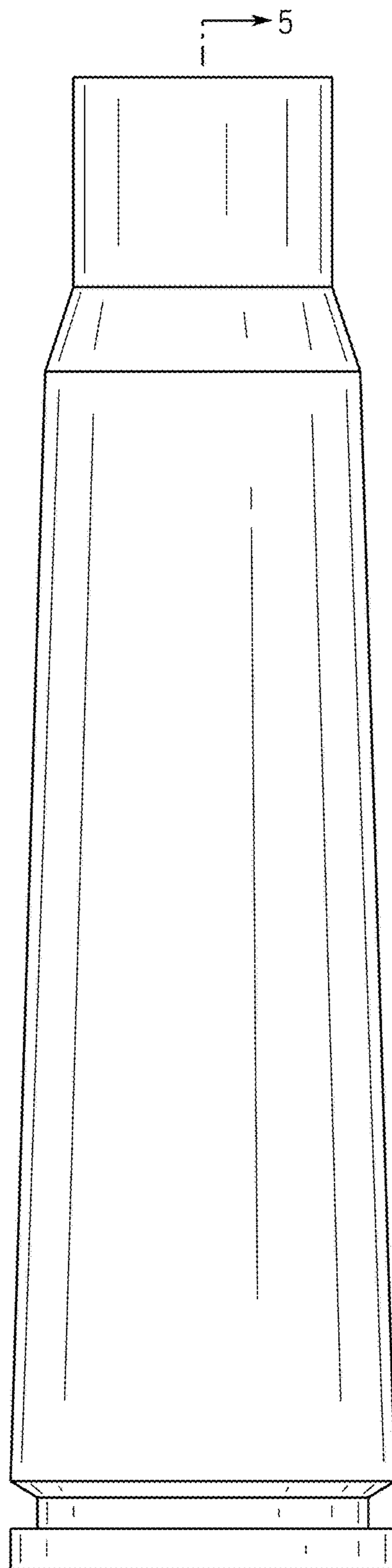


FIG. 4

FIG. 5

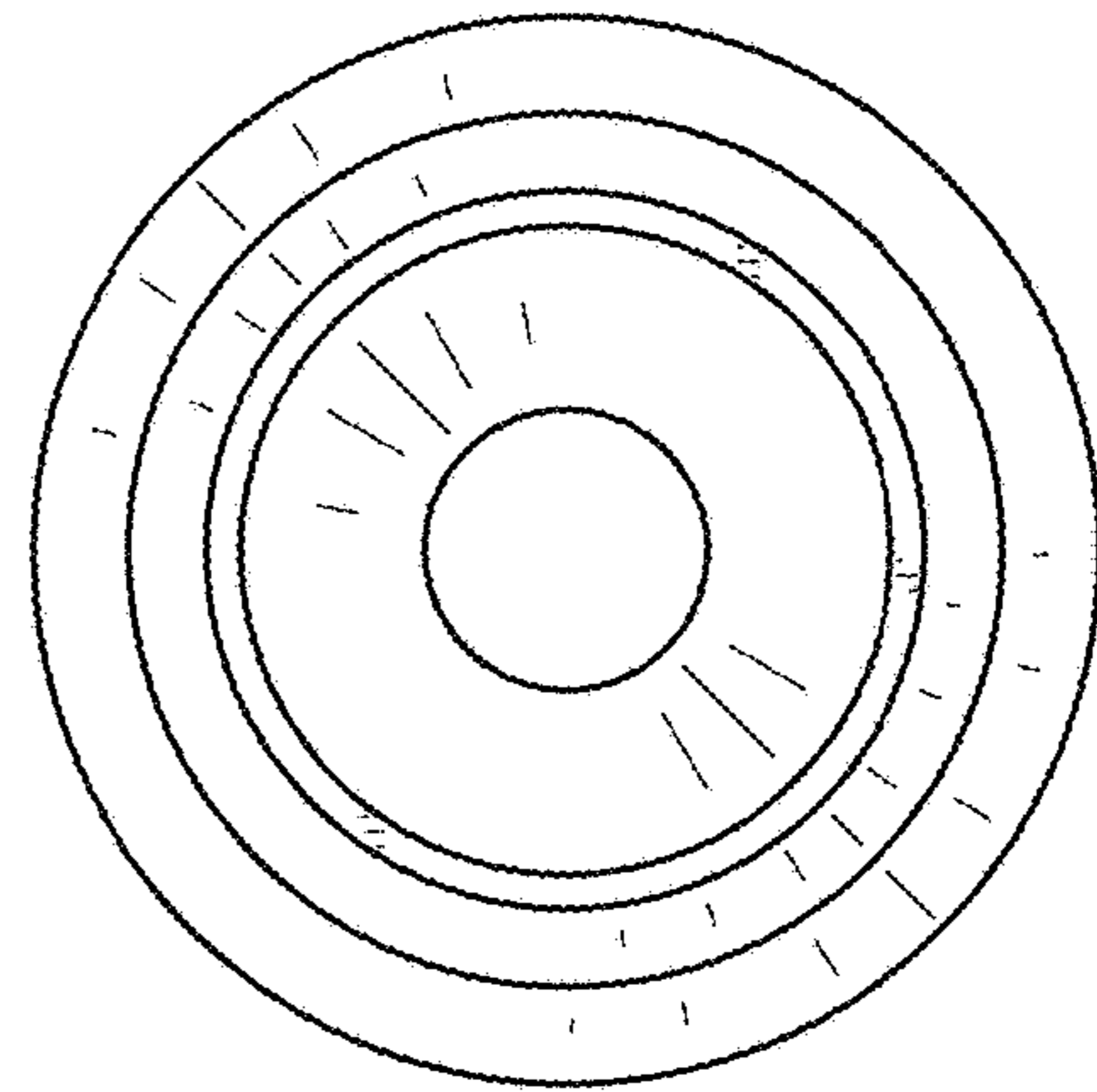
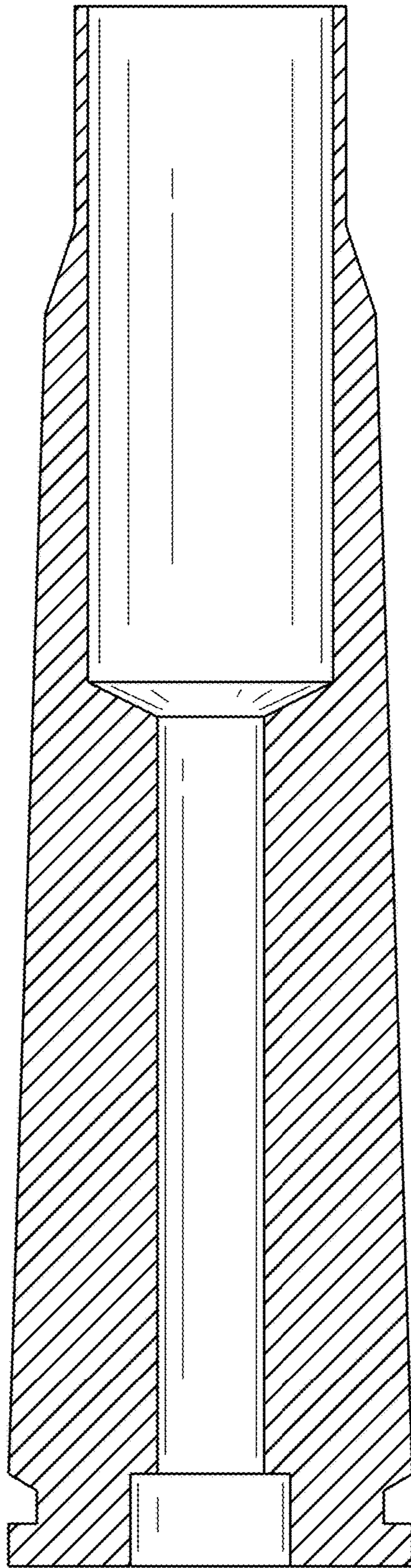


FIG. 6

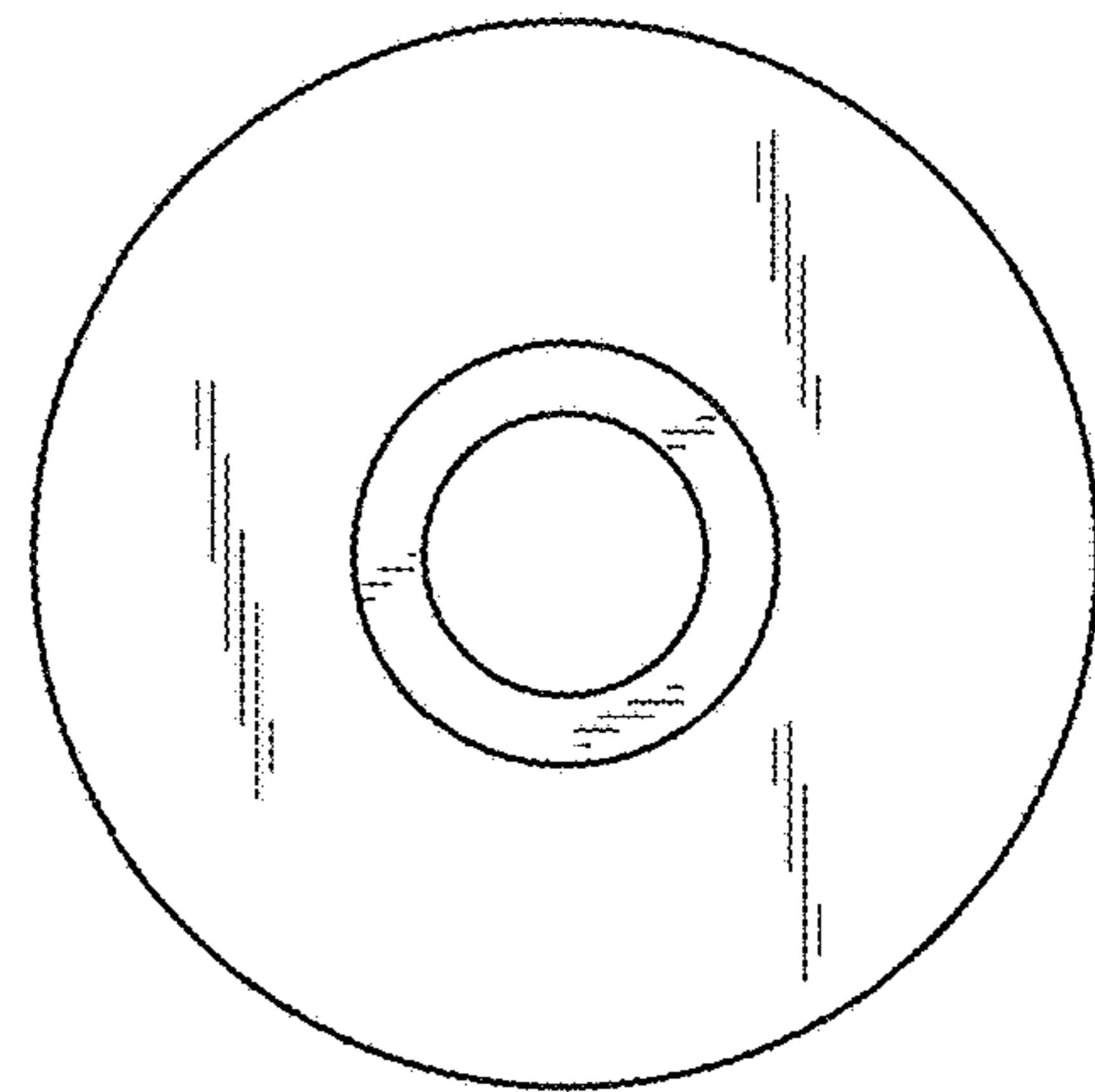


FIG. 7