

US00D868927S

(12) **United States Design Patent** (10) **Patent No.:** **US D868,927 S**
Rofkahr, Jr. et al. (45) **Date of Patent:** **** Dec. 3, 2019**

(54) **POINTED TRIGGER DAMPENING ABSORBER**

(71) Applicants: **James J. Rofkahr, Jr.**, Altus, AR (US);
Michael D. Rofkahr, Ozark, AR (US)

(72) Inventors: **James J. Rofkahr, Jr.**, Altus, AR (US);
Michael D. Rofkahr, Ozark, AR (US)

(**) Term: **15 Years**

(21) Appl. No.: **29/656,083**

(22) Filed: **Jul. 10, 2018**

(51) **LOC (12) Cl.** **22-01**

(52) **U.S. Cl.**

USPC **D22/108**

(58) **Field of Classification Search**

USPC D22/100–111, 115–116, 119–120, 199;
D21/300, 301, 573–575

CPC . F41G 1/02; F41G 1/027; F41G 1/033; F41G
1/06; F41G 3/26; F41C 23/10; F41C
23/16; F41J 1/00

See application file for complete search history.

(56) **References Cited**

U.S. PATENT DOCUMENTS

D220,400 S *	4/1971	Essman	D21/503
D309,189 S *	7/1990	Bowlin	D24/183
D321,562 S *	11/1991	Ljungvall	5/646
D326,254 S *	5/1992	Ziaylek, Jr.	D12/217
D362,310 S *	9/1995	Fleming	D25/103
D429,344 S *	8/2000	Deros	D25/113
D548,804 S *	8/2007	D'Ambrosio	D21/492
D594,398 S *	6/2009	Tai	D12/217
D719,710 S *	12/2014	Olson	D32/40
D730,544 S *	5/2015	Shalfoon	D25/114
D771,200 S *	11/2016	Ryaa	D21/505

OTHER PUBLICATIONS

“SAF-T-BLOK Left Hand Post '98” [online]. rockyourglock.com. [Earliest product review date of Sep. 2, 2017]. Retrieved from the Internet: <https://www.rockyourglock.com/custom/CDC-70122.htm>.*

“Recluse Pocket Holster for Small Semi-Automatic Pistols” [online]. Jeff Quinn. [Published on Oct. 19, 2009]. Retrieved from the Internet: <https://gunblast.com/Recluse.htm>.*

* cited by examiner

Primary Examiner — Khawaja Anwar

Assistant Examiner — Mojtaba Tehrani

(74) *Attorney, Agent, or Firm* — Keisling & Pieper PLC;
David B. Pieper

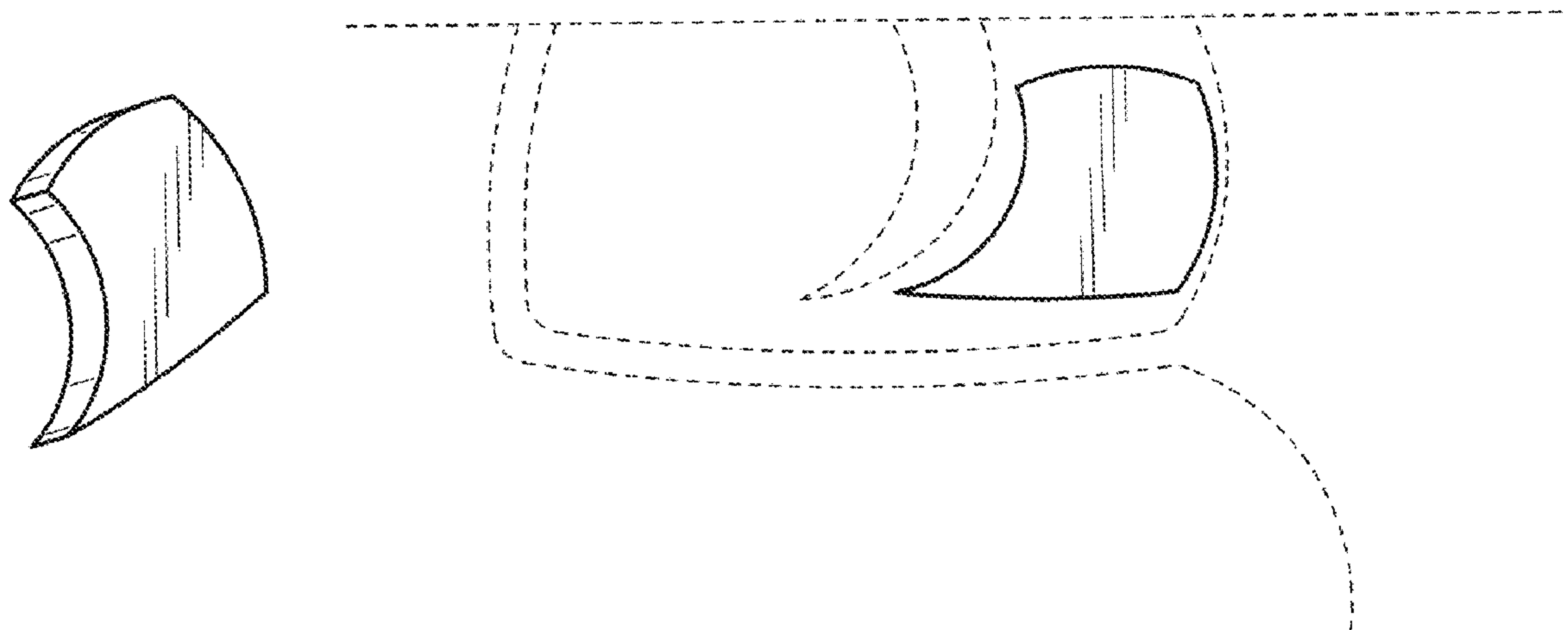
(57) **CLAIM**

The ornamental design for a pointed trigger dampening absorber, as shown and described.

DESCRIPTION

FIG. 1 is a perspective view of a pointed trigger dampening absorber, showing our new design; FIG. 2 is another perspective view thereof; FIG. 3 is a top elevational view thereof; FIG. 4 is a left side elevational view thereof; FIG. 5 is a front elevational view thereof; and, FIG. 6 is a right side elevational view thereof; FIG. 7 is a back elevational view thereof; and, FIG. 8 is a bottom elevational view thereof; and, FIG. 9 is an environmental view thereof showing an installation between the trigger mechanism and frame of a gun. The broken lines showing the trigger mechanism and frame of a gun are for the purpose of illustrating environmental structure and form no part of the claimed design.

1 Claim, 1 Drawing Sheet



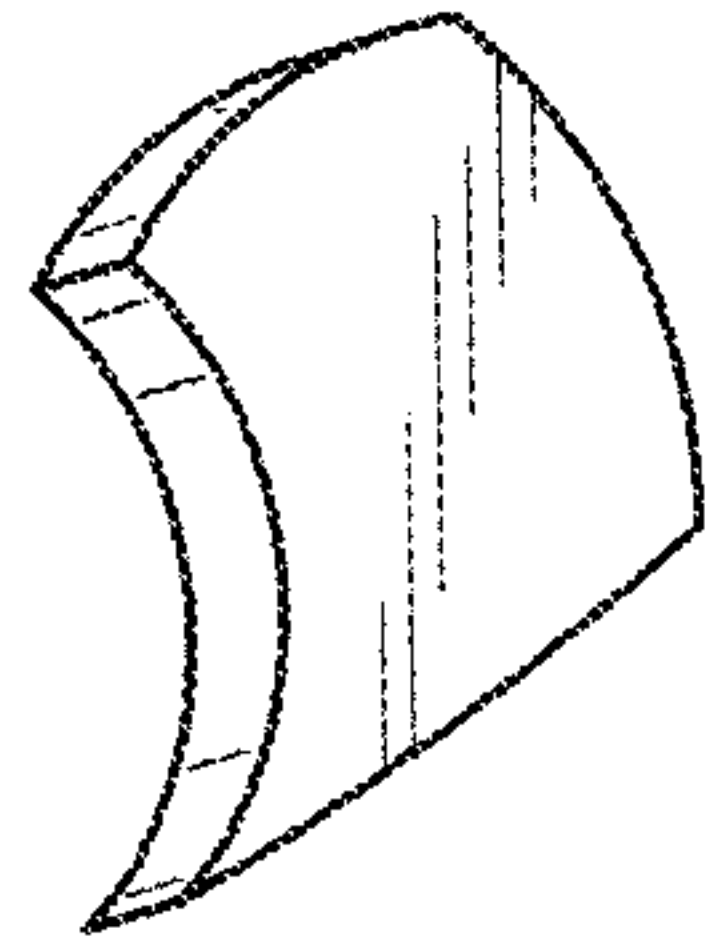


FIG. 1

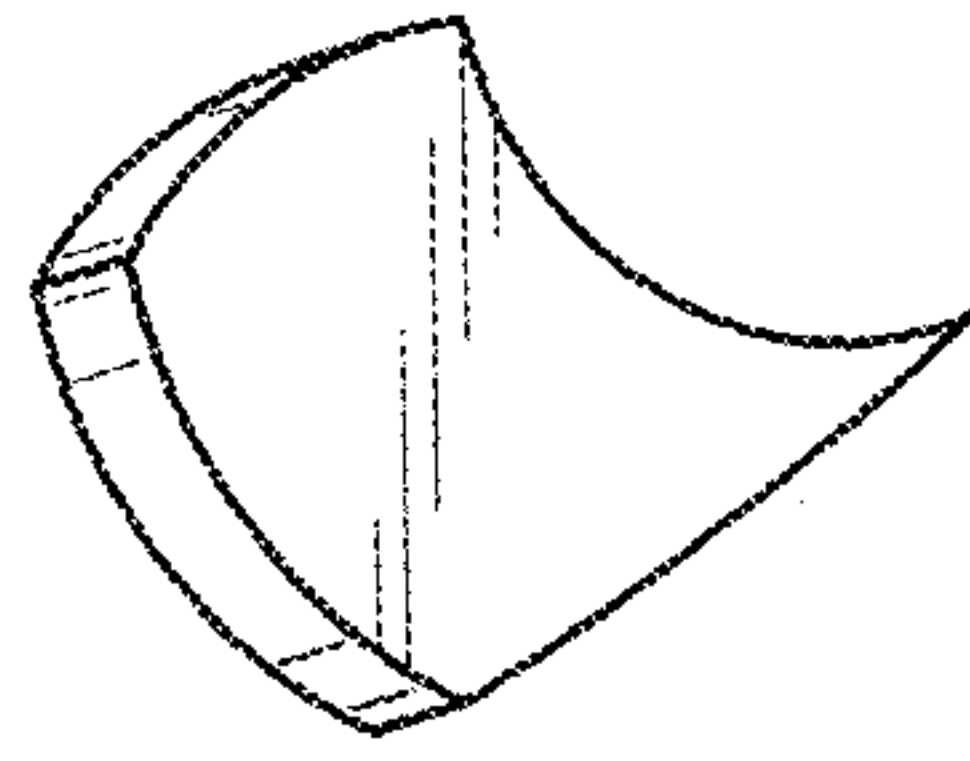


FIG. 2



FIG. 3



FIG. 4

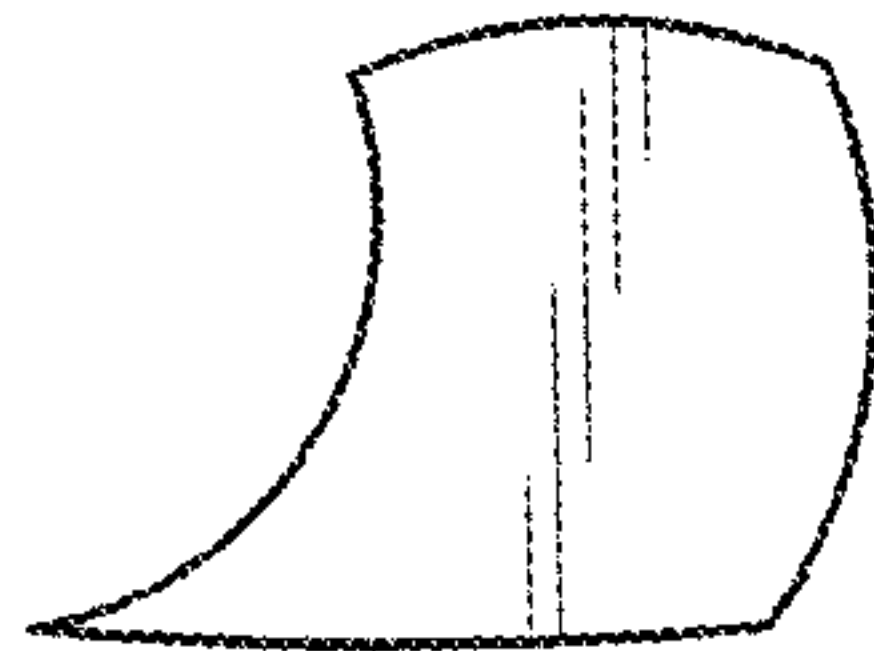


FIG. 5



FIG. 6

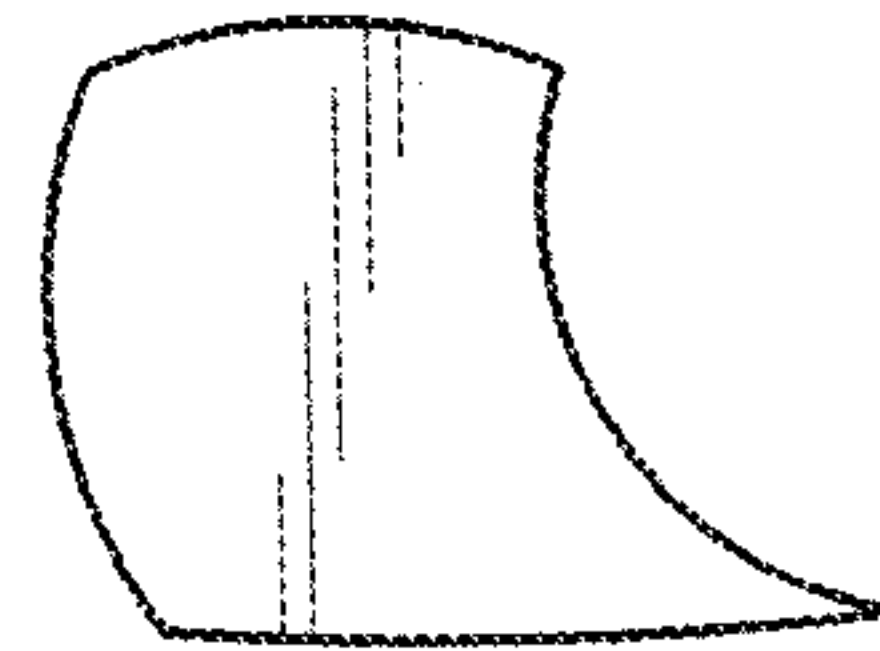


FIG. 7



FIG. 8

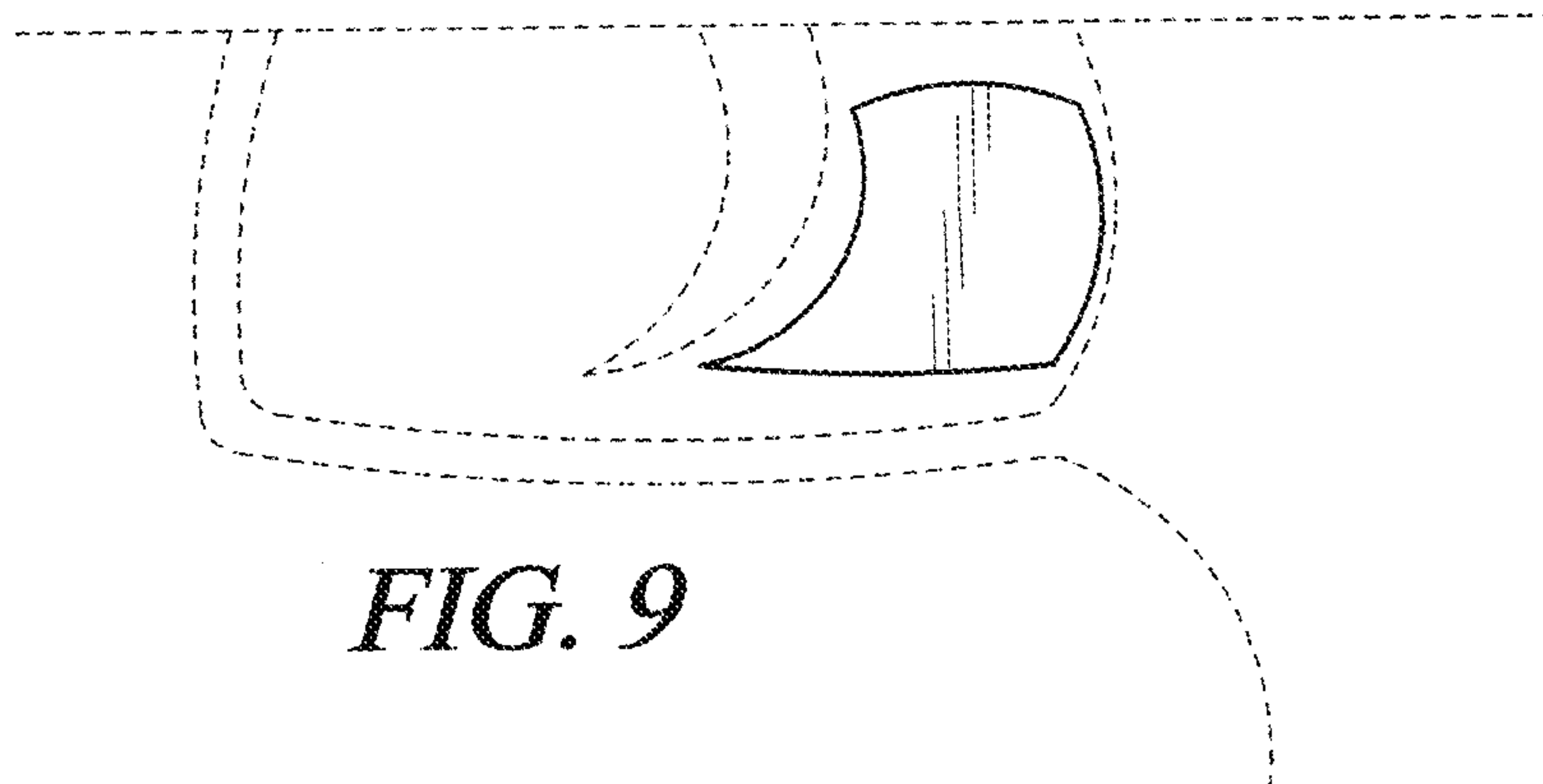


FIG. 9