



US00D868926S

(12) **United States Design Patent**
Rofkahr, Jr. et al.

(10) **Patent No.:** **US D868,926 S**

(45) **Date of Patent:** **** Dec. 3, 2019**

(54) **TRIANGULAR TRIGGER DAMPENING
ABSORBER**

D748,742 S * 2/2016 Simonds D21/505
D771,200 S * 11/2016 Ryaa D21/505
D843,495 S * 3/2019 Howard D21/505

(71) Applicants: **James J. Rofkahr, Jr.**, Altus, AR (US);
Michael D. Rofkahr, Ozark, AR (US)

OTHER PUBLICATIONS

(72) Inventors: **James J. Rofkahr, Jr.**, Altus, AR (US);
Michael D. Rofkahr, Ozark, AR (US)

“Recluse Pocket Holster for Small Semi-Automatic Pistols” [online].
Jeff Quinn. [Published on Oct. 19, 2009]. Retrieved from the
Internet: <https://gunblast.com/Recluse.htm>.*

(**) Term: **15 Years**

* cited by examiner

(21) Appl. No.: **29/656,065**

Primary Examiner — Khawaja Anwar

(22) Filed: **Jul. 10, 2018**

Assistant Examiner — Mojtaba Tehrani

(51) **LOC (12) Cl.** **22-01**

(74) *Attorney, Agent, or Firm* — Keisling & Pieper PLC;
David B. Pieper

(52) **U.S. Cl.**

USPC **D22/108**

(58) **Field of Classification Search**

USPC D22/100–111, 115–116, 119–120, 199;
D21/300, 301, 573–575

CPC . F41G 1/02; F41G 1/027; F41G 1/033; F41G
1/06; F41G 3/26; F41C 23/10; F41C
23/16; F41J 1/00

See application file for complete search history.

(57) **CLAIM**

The ornamental design for a triangular trigger dampening
absorber, as shown and described.

DESCRIPTION

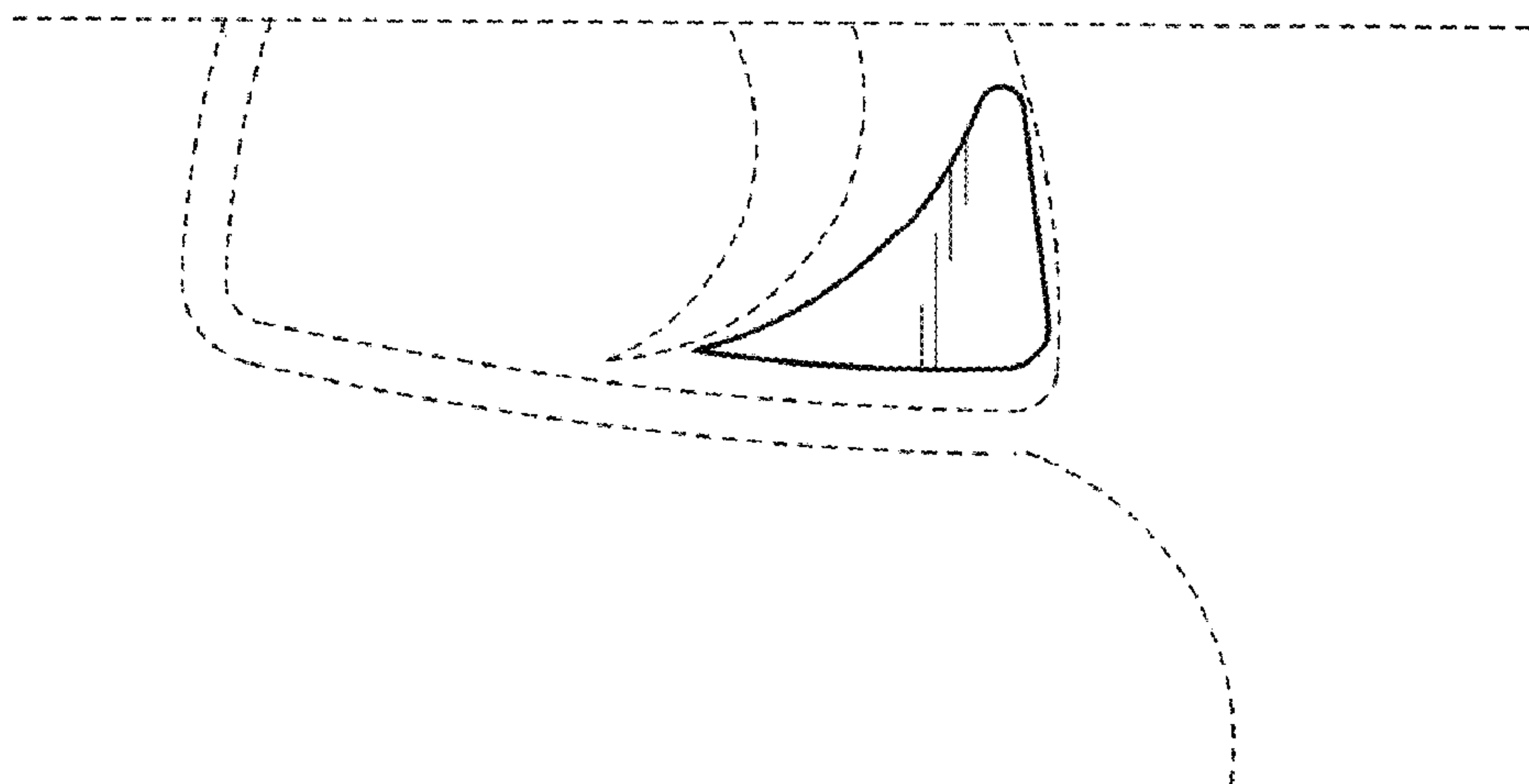
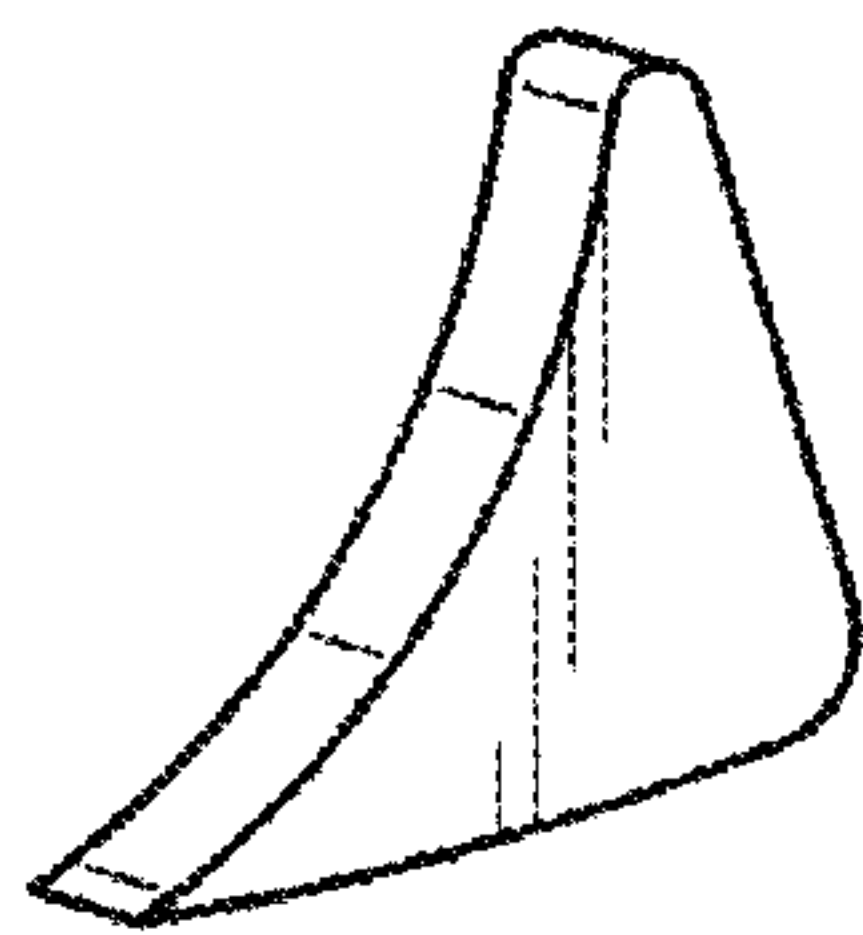
(56) **References Cited**

U.S. PATENT DOCUMENTS

D220,400 S * 4/1971 Essman D21/503
D309,189 S * 7/1990 Bowlin D24/183
D326,254 S * 5/1992 Ziaylek, Jr. D12/217
D429,344 S * 8/2000 Deros D25/113
D493,408 S * 7/2004 Chrisco D12/217
D548,804 S * 8/2007 D’Ambrosio D21/492
D594,398 S * 6/2009 Tai D12/217
D644,159 S * 8/2011 Marcum D12/217
8,979,608 B2 * 3/2015 Hawthorne A63H 33/16
446/109
D730,544 S * 5/2015 Shalfoon D25/114

FIG. 1 is a perspective view of a triangular trigger dampening
absorber, showing our new design;
FIG. 2 is another perspective view thereof;
FIG. 3 is a top elevational view thereof;
FIG. 4 is a left side elevational view thereof
FIG. 5 is a front elevational view thereof; and,
FIG. 6 is a right side elevational view thereof;
FIG. 7 is a back elevational view thereof; and
FIG. 8 is a bottom elevational view thereof; and,
FIG. 9 is an environmental view thereof showing an instal-
lation between the trigger mechanism and frame of a gun.
The broken lines showing the trigger mechanism and frame
of a gun are for the purpose of illustrating environmental
structure and form no part of the claimed design.

1 Claim, 1 Drawing Sheet



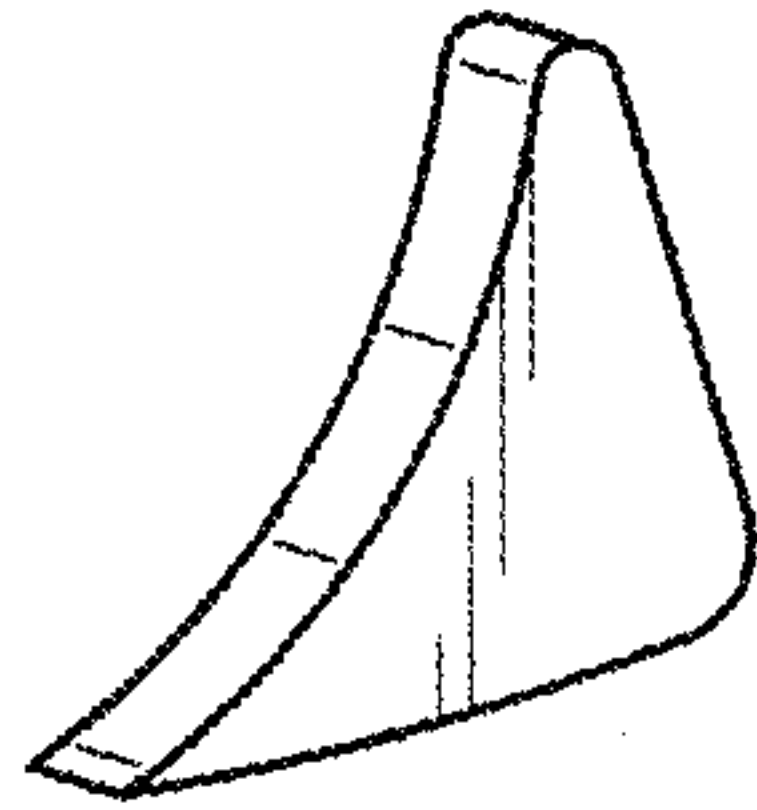


FIG. 1

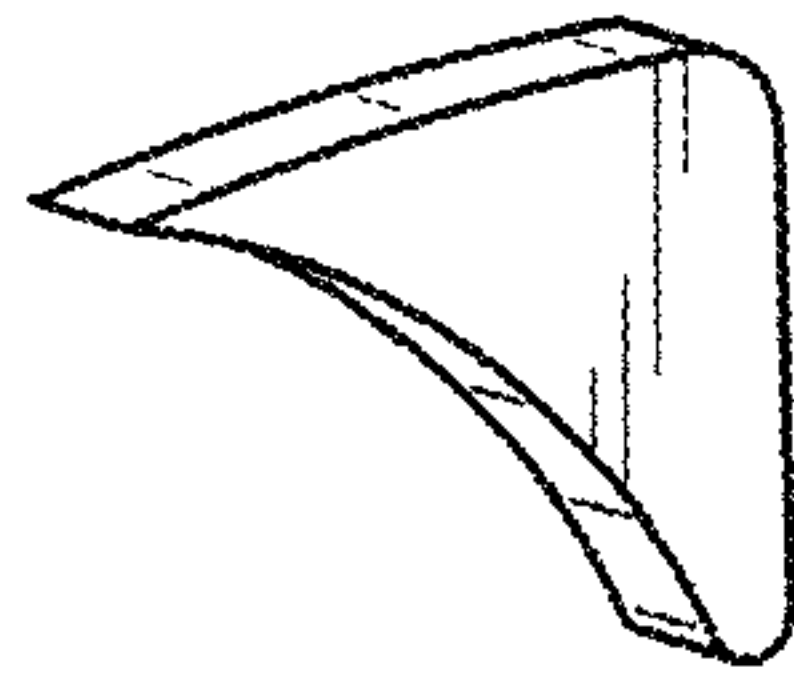


FIG. 2



FIG. 3



FIG. 4

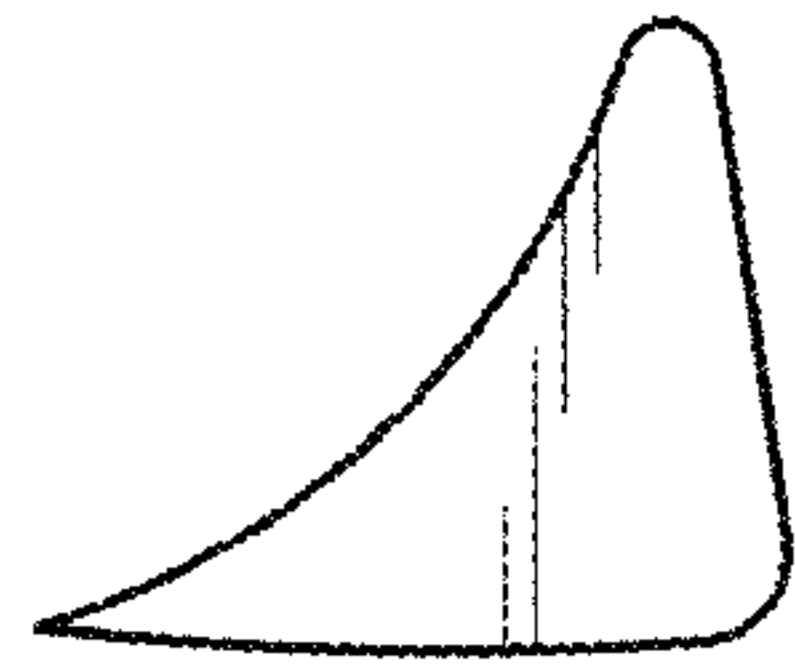


FIG. 5



FIG. 6

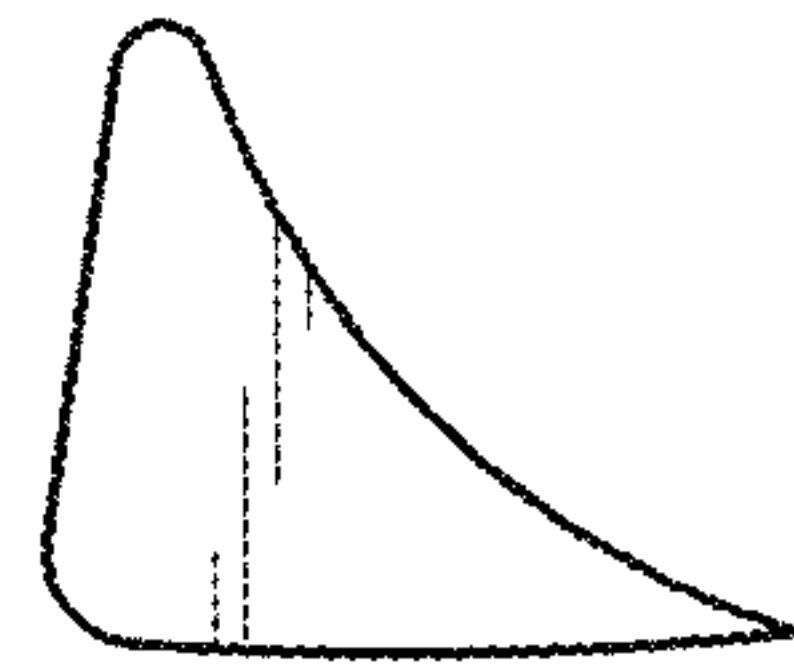


FIG. 7



FIG. 8

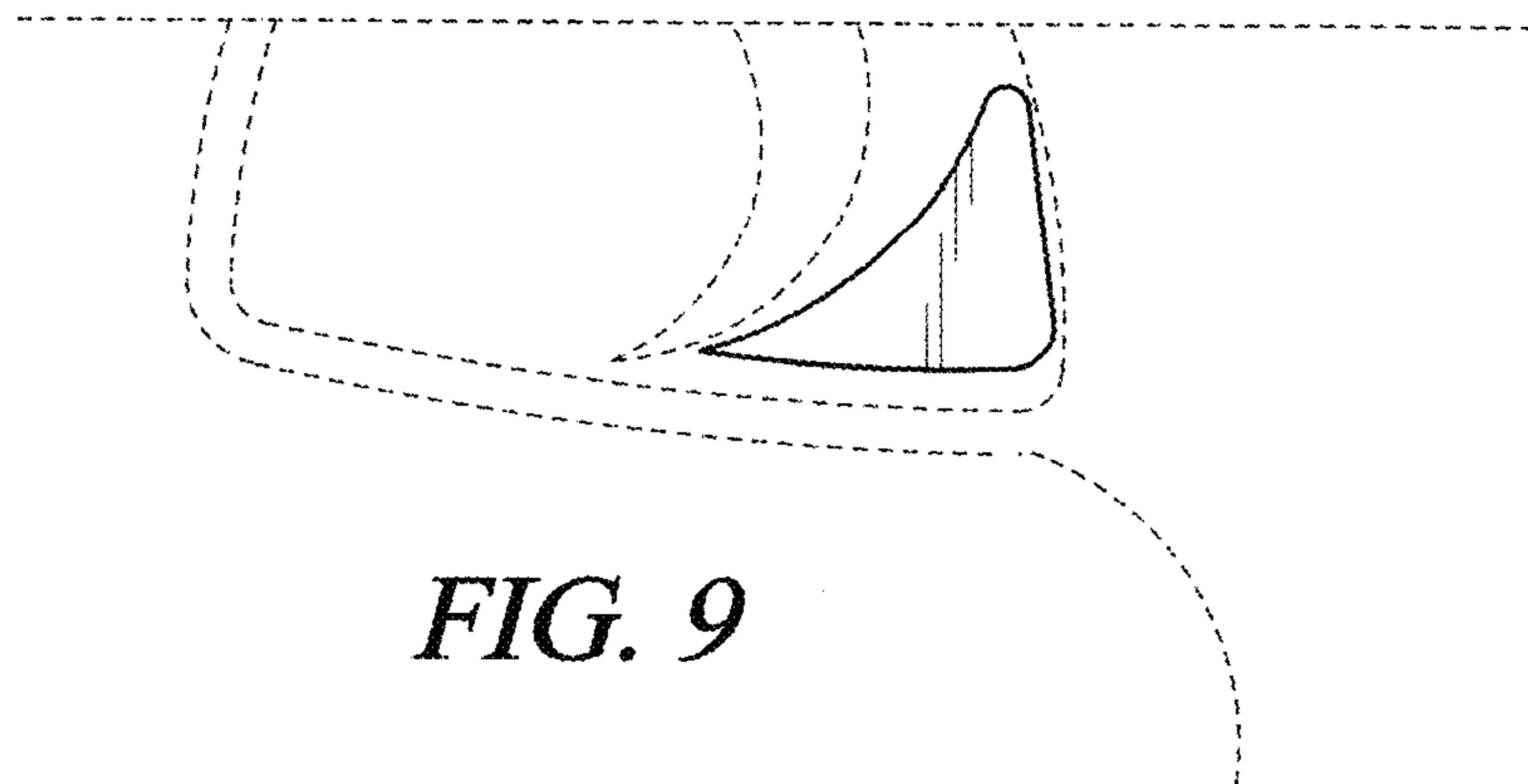


FIG. 9