



US00D868925S

(12) **United States Design Patent**  
**Novak et al.**

(10) **Patent No.:** **US D868,925 S**

(45) **Date of Patent:** **\*\* Dec. 3, 2019**

(54) **MAGAZINE INSERTION FUNNEL**

(71) Applicant: **Sportco, Inc.**, Holbrook, NY (US)

(72) Inventors: **Robert Arthur Novak**, Holbrook, NY (US); **Joseph Michael Procopio**, Sayville, NY (US); **Jameson Stradley Ellis**, Sag Harbor, NY (US); **Jayson Edward Dekmar**, Grandville, MI (US)

(73) Assignee: **Sportco, Inc.**, Holbrook, NY (US)

(\*\*) Term: **15 Years**

(21) Appl. No.: **29/633,924**

(22) Filed: **Jan. 17, 2018**

(51) **LOC (12) Cl.** ..... **22-01**

(52) **U.S. Cl.**  
USPC ..... **D22/108**

(58) **Field of Classification Search**  
USPC ..... D22/100-111, 199; D21/571, 573, 574, D21/575, 746; D8/354, 373, 380, 499; 248/200; D2/964; D6/536  
CPC ..... F41C 23/14; F41C 23/20; F41C 23/04; F41C 23/00; F41C 23/10; F41C 27/00; F41C 7/00; F41C 23/06; F41C 3/00; F41B 5/10; F41B 5/14; F41B 5/0094; F41B 5/1469; F41B 5/00; F16M 11/00; F41A 9/70; F41A 9/65; F41A 9/71; F41A 9/68; F41A 9/69; F41A 11/02; F41A 9/61; F41A 9/00; F41A 9/17; F41A 9/23; F41A 9/34; F41A 9/84  
See application file for complete search history.

(56) **References Cited**

**U.S. PATENT DOCUMENTS**

4,520,585 A \* 6/1985 Barrett ..... F41C 23/10  
42/7  
4,570,370 A \* 2/1986 Smith ..... F41C 23/10  
42/7

D304,959 S \* 12/1989 King ..... D19/75  
5,052,140 A \* 10/1991 Smith ..... F41C 23/10  
42/7  
D344,780 S \* 3/1994 Jenkins ..... D22/108  
D362,044 S \* 9/1995 Sniezak ..... D22/100

(Continued)

**OTHER PUBLICATIONS**

ALG Defense—Flared Magwell for Glock, Brownells.com, [online], [site visited Jul. 22, 2019]. <URL: <https://www.brownells.com/handgun-parts/frame-parts/magazine-wells/flared-magwell-for-glock-prod64720.aspx>> (Year: 2019).\*

(Continued)

*Primary Examiner* — T Chase Nelson

*Assistant Examiner* — Jonathan J. Han

(74) *Attorney, Agent, or Firm* — Abelman, Frayne & Schwab

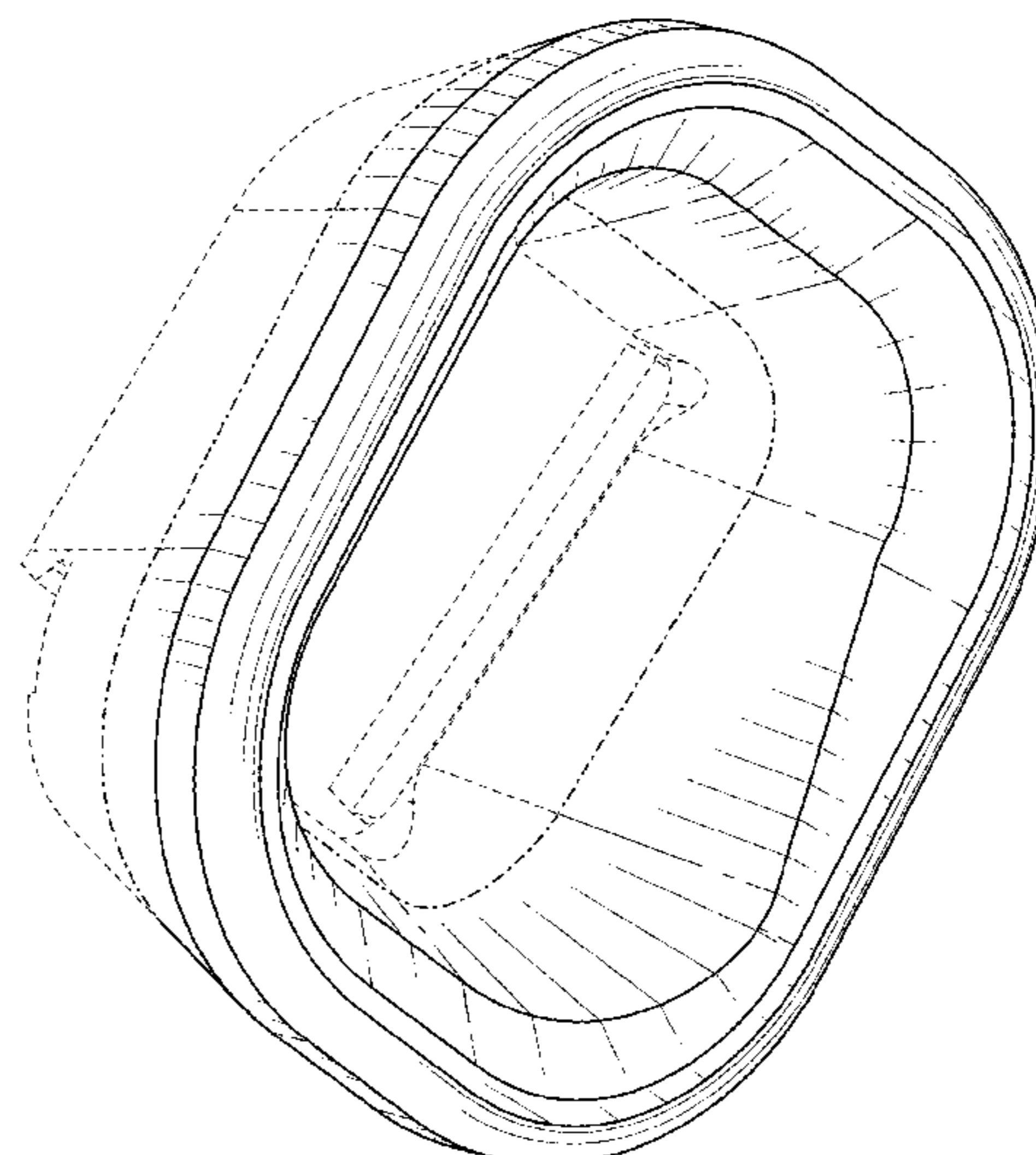
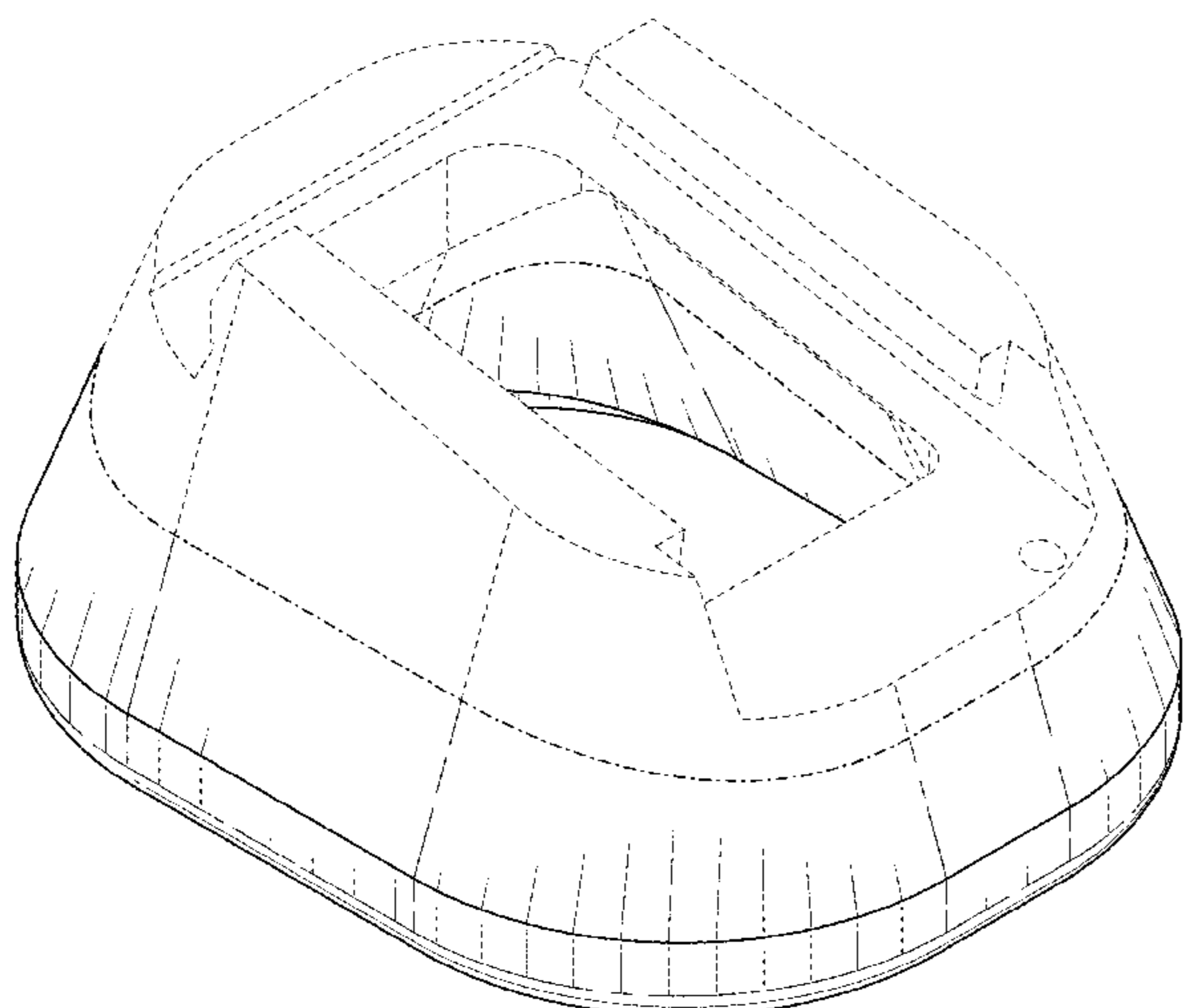
(57) **CLAIM**

The ornamental design for a magazine insertion funnel, as shown and described.

**DESCRIPTION**

FIG. 1 is a front, right, and top perspective view of the magazine insertion funnel showing the new design; FIG. 2 is a front, left, and bottom perspective view thereof; FIG. 3 is a front elevation view thereof, the rear elevation view being a mirrored image thereof; FIG. 4 is a left side elevation view thereof; FIG. 5 is a right side elevation view thereof; FIG. 6 is a top plan view thereof; FIG. 7 is a bottom plan view thereof; FIG. 8 is a section along lines 8-8 of FIG. 3; and, FIG. 9 is a section along lines 9-9 of FIG. 4. The broken lines are shown for the purpose of illustrating unclaimed portions of the magazine insertion funnel and form no part of the claimed design.

**1 Claim, 6 Drawing Sheets**



(56)

References Cited

U.S. PATENT DOCUMENTS

5,621,995 A \* 4/1997 Smith ..... F41A 9/65  
 42/50  
 5,906,065 A \* 5/1999 Pearce ..... F41A 9/65  
 42/50  
 D487,790 S \* 3/2004 Freed ..... D22/108  
 D487,791 S \* 3/2004 Freed ..... D22/108  
 D576,701 S \* 9/2008 Nichols ..... D22/108  
 7,743,542 B1 \* 6/2010 Novak ..... F41C 23/10  
 42/49.02  
 D746,403 S \* 12/2015 Kielsmeier ..... D22/108  
 D757,458 S \* 5/2016 Snell ..... D6/536  
 D757,884 S \* 5/2016 Kielsmeier ..... D22/108  
 D783,111 S \* 4/2017 Hillis ..... D22/108  
 D792,546 S \* 7/2017 Geissele ..... D22/108  
 D795,988 S \* 8/2017 Geissele ..... D22/108  
 D798,983 S \* 10/2017 Chen ..... D22/108  
 D799,631 S \* 10/2017 Chen ..... D22/108  
 D808,491 S \* 1/2018 Chen ..... D22/108  
 D808,492 S \* 1/2018 Chen ..... D22/108  
 D809,085 S \* 1/2018 Geissele ..... D22/108  
 D812,176 S \* 3/2018 Kielsmeier ..... D22/108  
 10,066,885 B2 \* 9/2018 Chen ..... F41A 9/65

10,101,105 B1 \* 10/2018 Novak ..... F41A 35/00  
 D838,333 S \* 1/2019 Kielsmeier ..... D22/108  
 D841,758 S \* 2/2019 Novak ..... F41A 35/00  
 D22/108  
 2013/0227870 A1 \* 9/2013 Rendulic ..... F41A 9/65  
 42/50  
 2014/0373416 A1 \* 12/2014 Barnhart ..... F41A 9/67  
 42/50  
 2017/0191771 A1 \* 7/2017 Zimmer ..... F41A 9/62  
 2017/0205188 A1 \* 7/2017 Chavez ..... F41C 23/10

OTHER PUBLICATIONS

Atlas Gunworks Magwell—Stainless Steel, AtlasGunWorks.com, [online], [site visited Jul. 22, 2019]. <URL: <https://atlasgunworks.com/product/atlas-gunworks-magwell-stainless-steel/>> (Year: 2019).\*

Taylor Freelance Rock Island “Fattie” Speed Magwell, BenStoegerProShop.com, [online], [site visited Jul. 22, 2019]. <URL: <https://benstoegerproshop.com/taylor-freelance-rock-island-fattie-speed-magwell/>> (Year: 2019).\*

Carver 1.0 Heavy M&P “Tactical” Magwell, BB-Enterprise.biz, [online], [site visited Jul. 22, 2019]. <URL: <https://www.bb-enterprise.biz/ecommerce/custom-89.cfm>> (Year: 2019).\*

\* cited by examiner

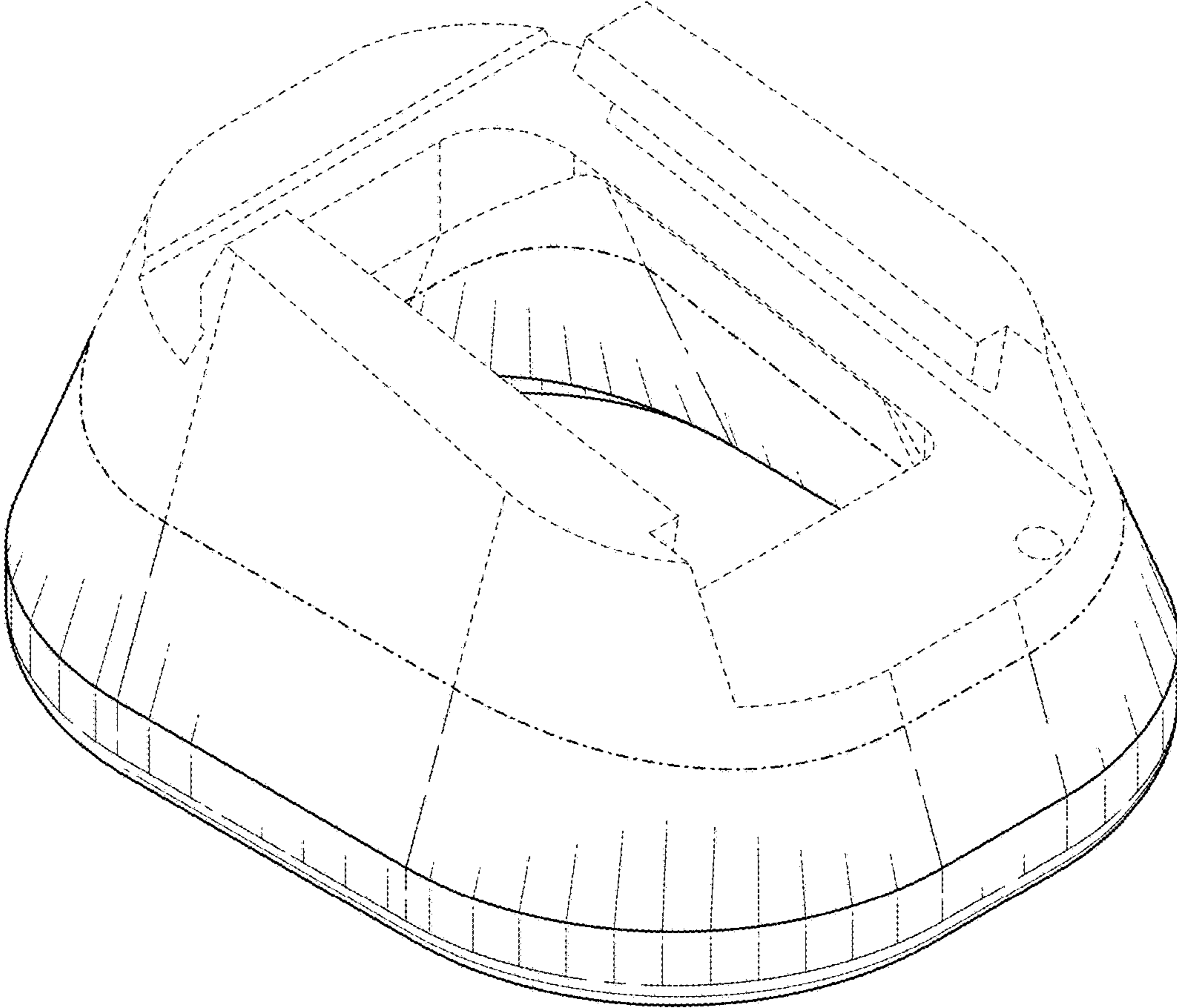


FIG. 1

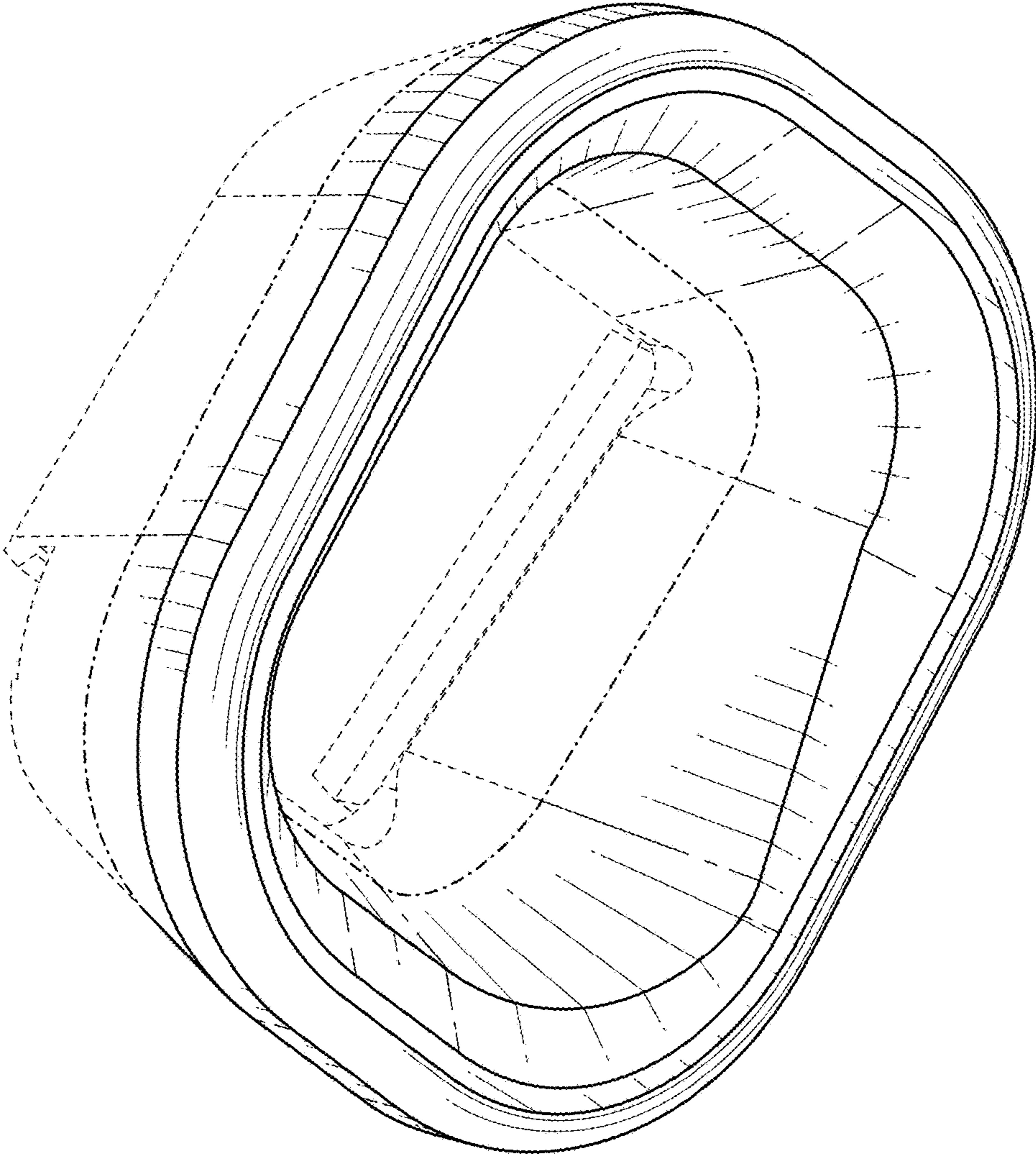


FIG. 2

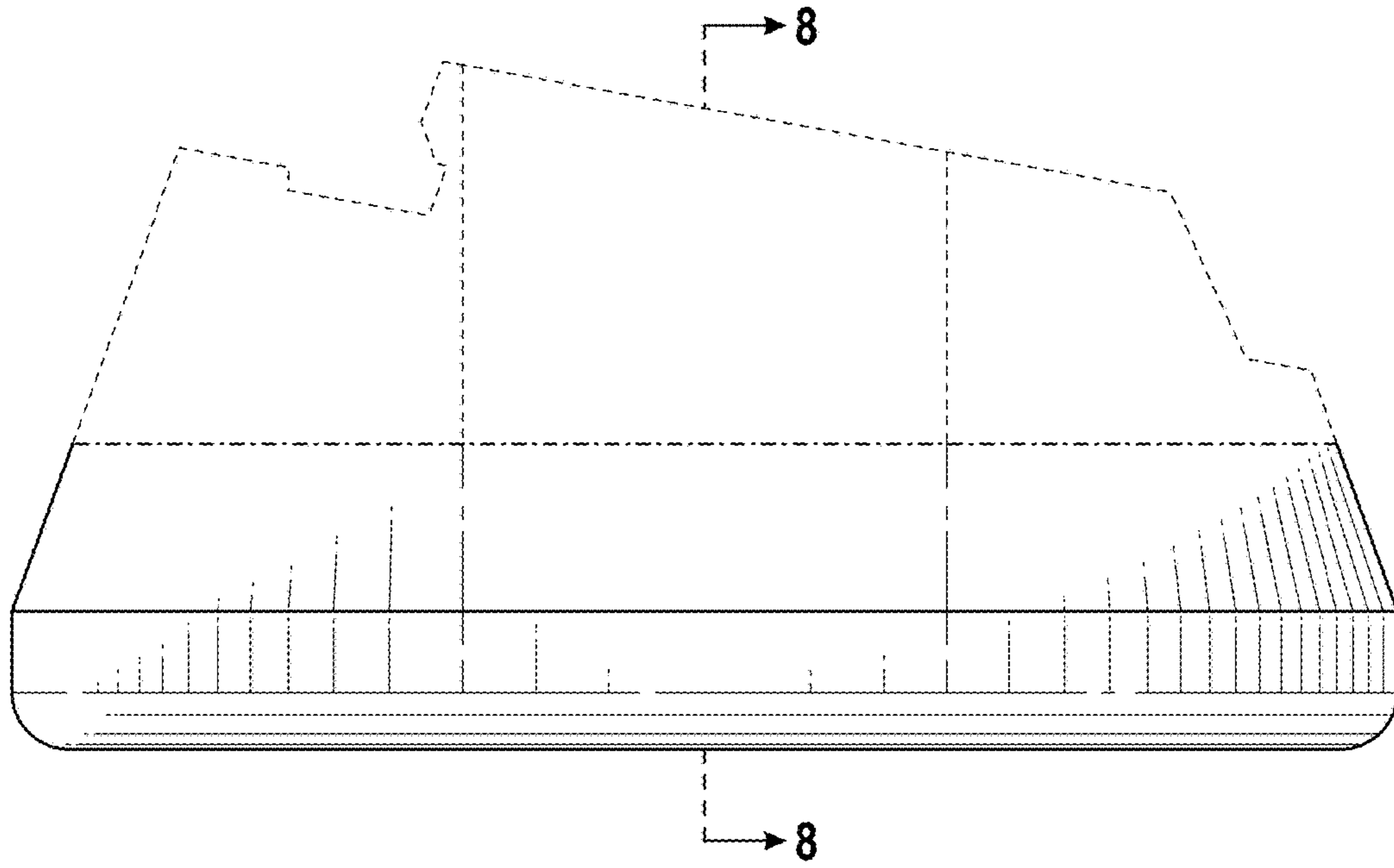


FIG. 3

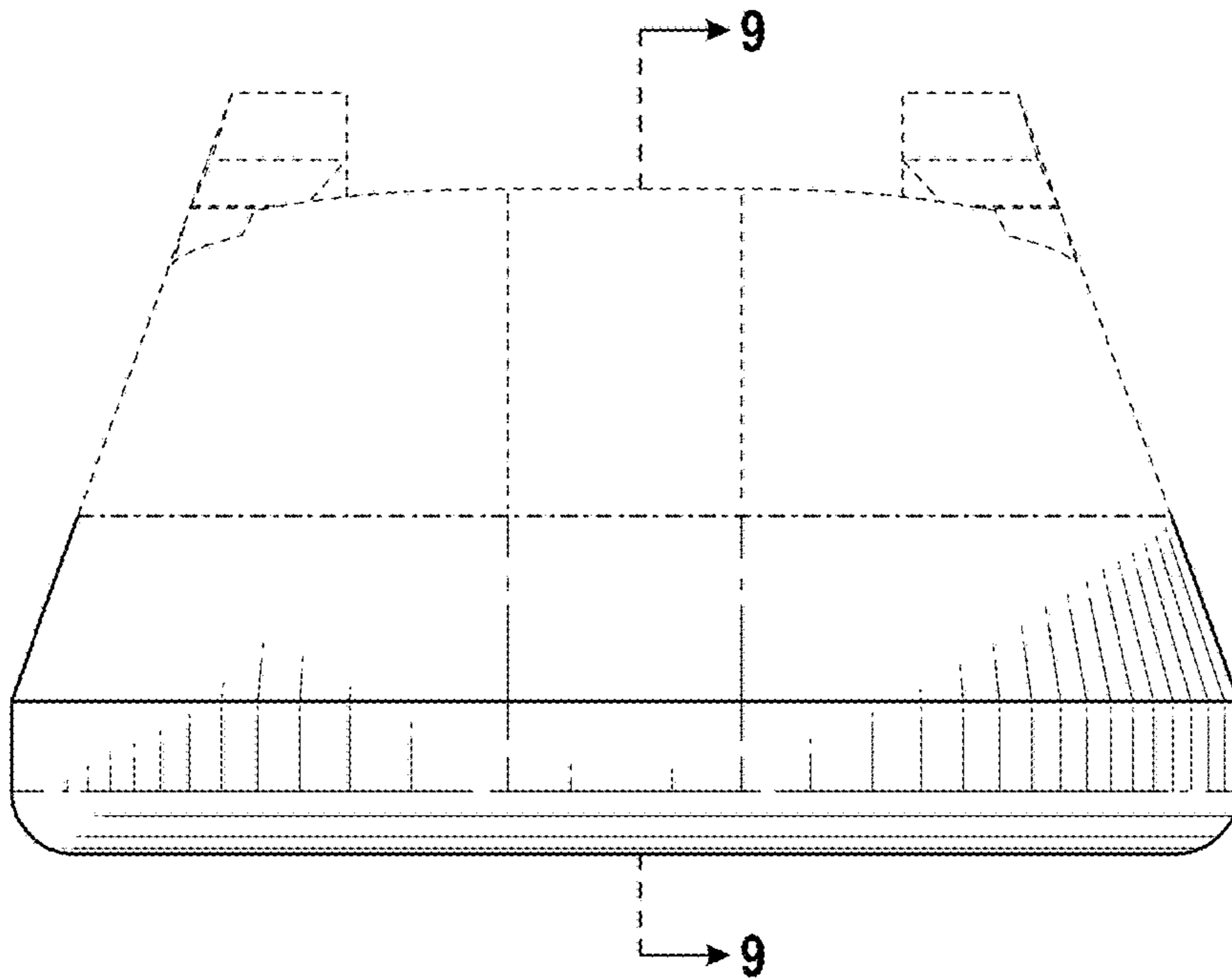


FIG. 4

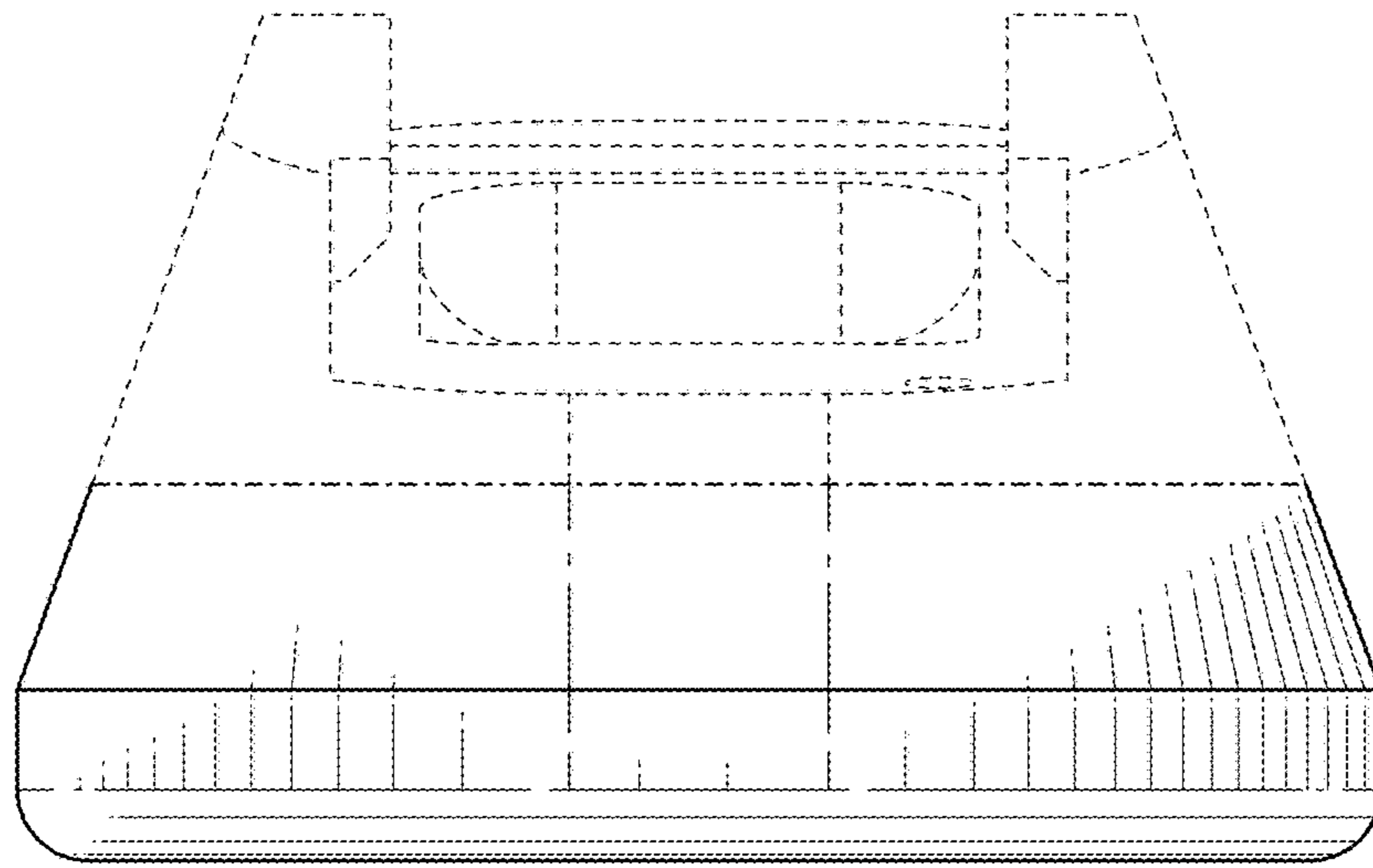


FIG. 5

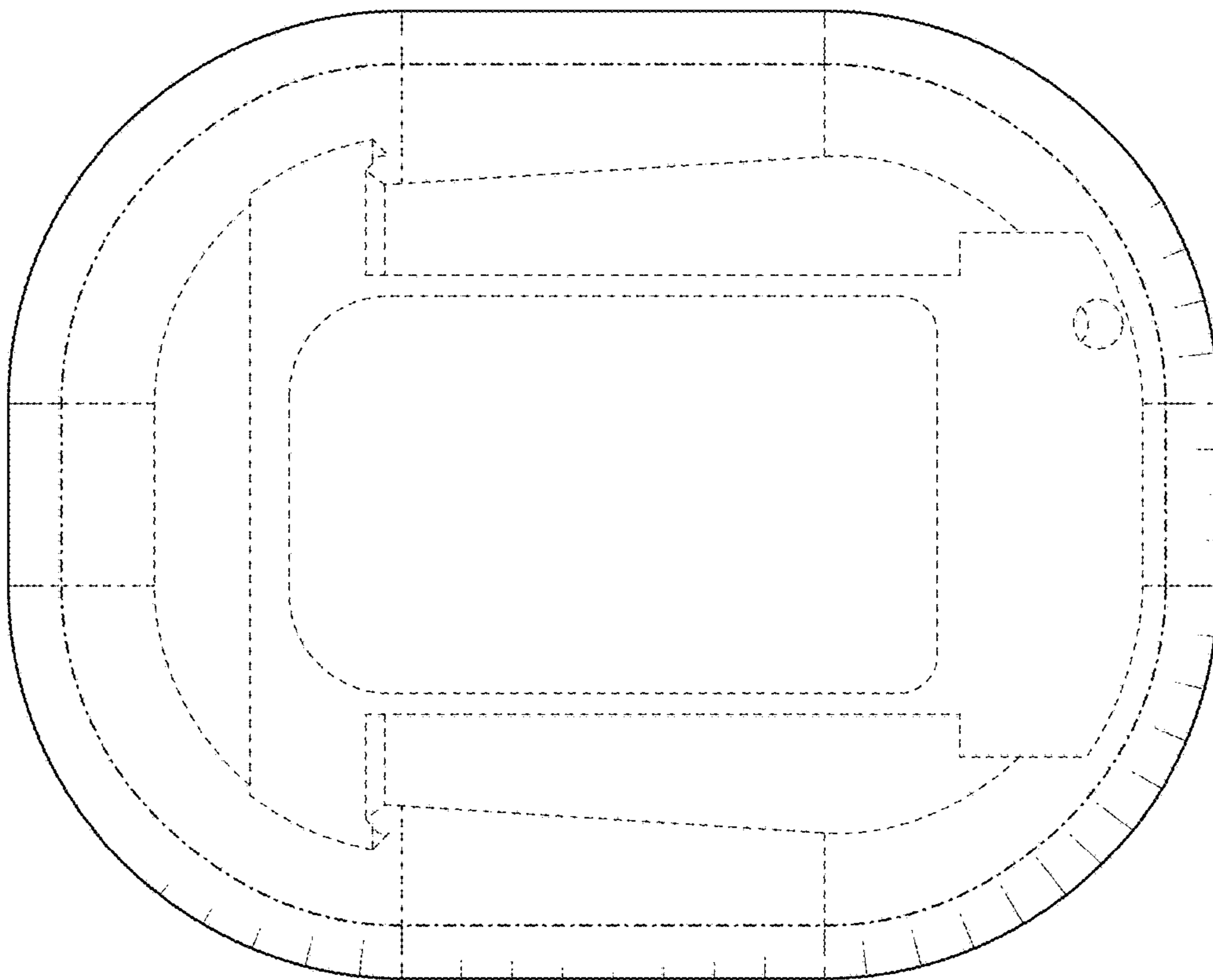


FIG. 6

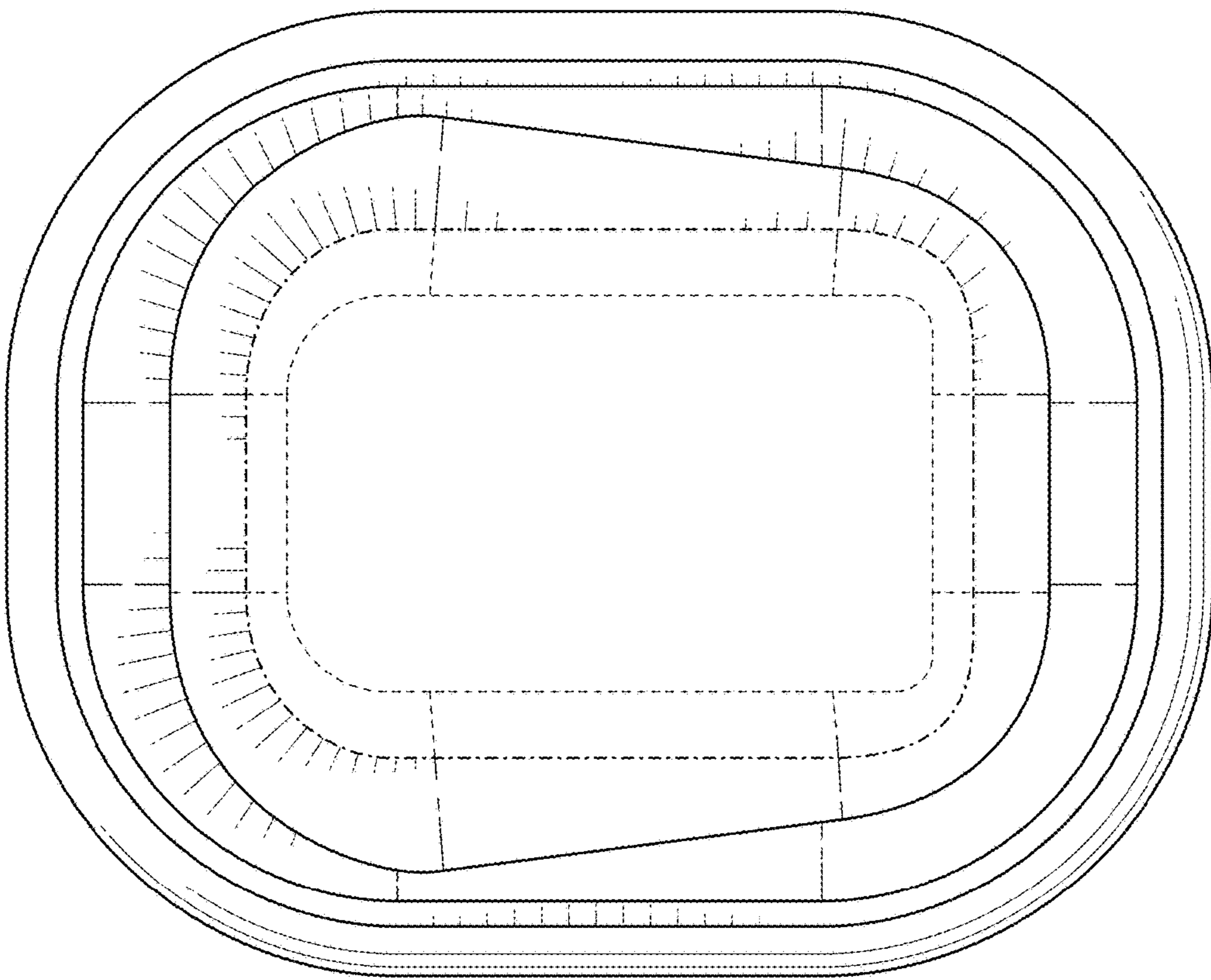


FIG. 7

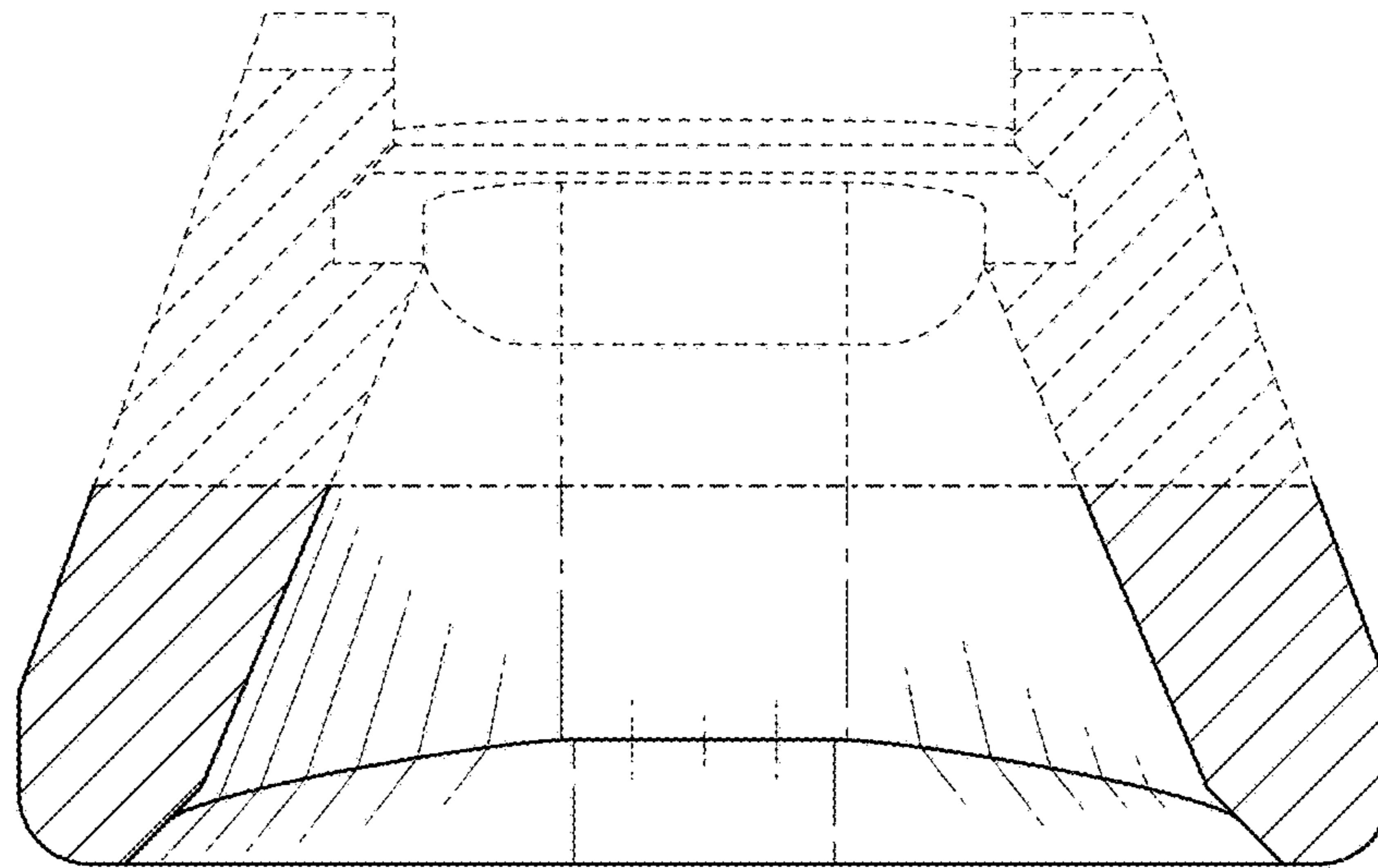


FIG. 8

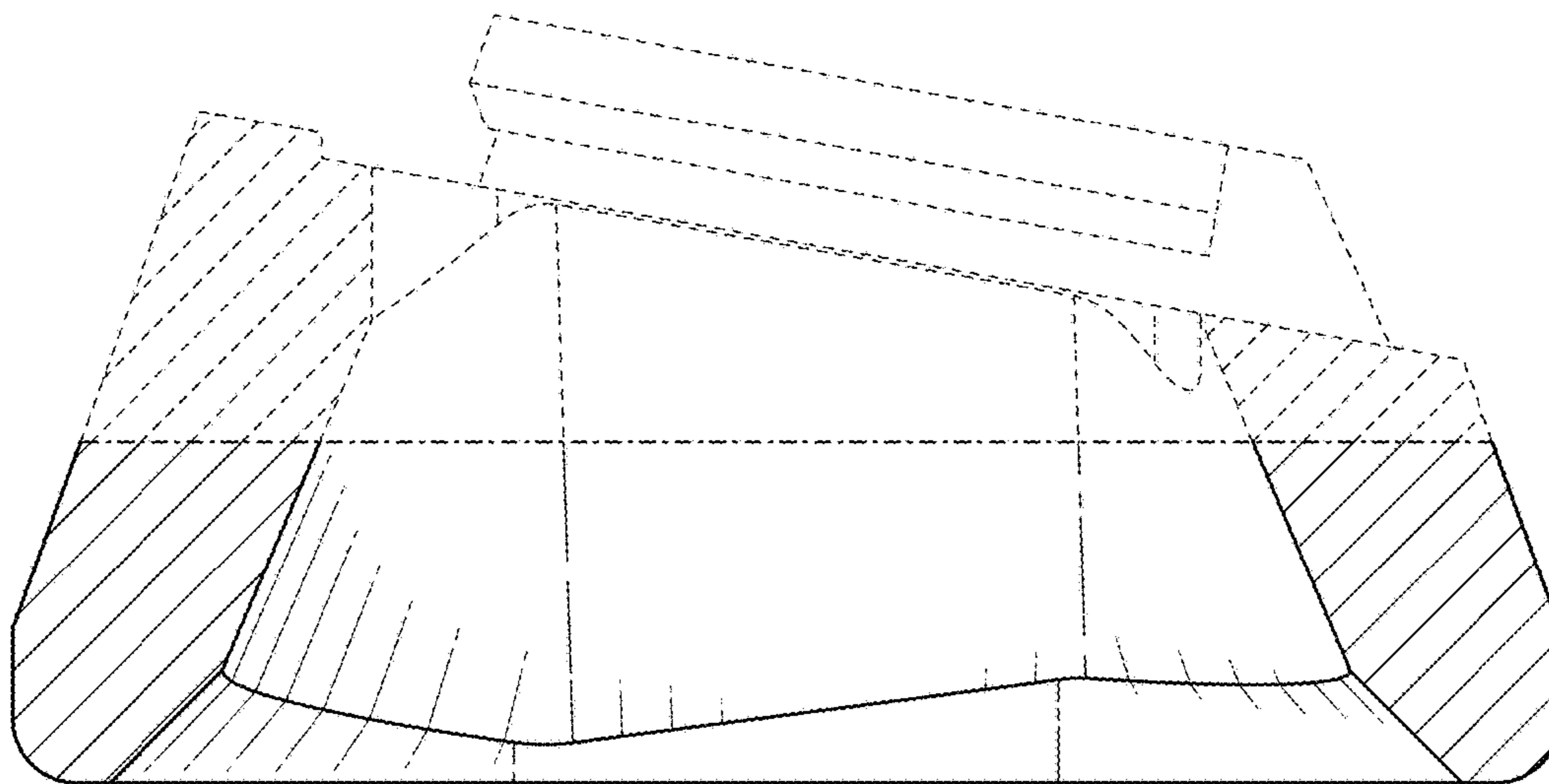


FIG. 9