



US00D868924S

(12) **United States Design Patent**
Nuss et al.

(10) **Patent No.:** **US D868,924 S**
(45) **Date of Patent:** **** Dec. 3, 2019**

- (54) **FIREARM STOCK**
- (71) Applicant: **Magpul Industries Corp.**, Austin, TX (US)
- (72) Inventors: **Felix Nuss**, Arvada, CO (US); **Yehezkel Eitan**, Johnstown, CO (US)
- (73) Assignee: **MAGPUL INDUSTRIES CORP.**, Austin, TX (US)
- (**) Term: **15 Years**
- (21) Appl. No.: **29/632,879**
- (22) Filed: **Jan. 10, 2018**
- (51) **LOC (12) Cl.** **22-01**
- (52) **U.S. Cl.**
USPC **D22/108**
- (58) **Field of Classification Search**
USPC D22/100, 103, 104, 105, 108-109;
D21/572-575, 401, 461, 567, 568;
124/16, 26, 27, 28, 29, 54, 73-77;
222/78, 79; 42/54, 57, 58, 71.01, 72, 73,
(Continued)

(56) **References Cited**

U.S. PATENT DOCUMENTS

- 3,380,182 A 4/1968 Browning
 - 5,813,158 A 9/1998 Campbell et al.
 - 5,970,642 A 10/1999 Martin
- (Continued)

FOREIGN PATENT DOCUMENTS

- DE 19940999 A1 3/2001
 - DE 102004029205 B3 2/2006
- (Continued)

OTHER PUBLICATIONS

Magpul Pro 700L—Fixed Stock, Magpul.com, [online], [site visited Apr. 1, 2019]. <URL: <https://www.magpul.com/products/magpul-pro-700l-fixed-stock?ProductColor=VO343>> (Year: 2019).*

(Continued)

Primary Examiner — T Chase Nelson
Assistant Examiner — Jonathan J. Han
(74) *Attorney, Agent, or Firm* — Neugeboren O’Dowd PC

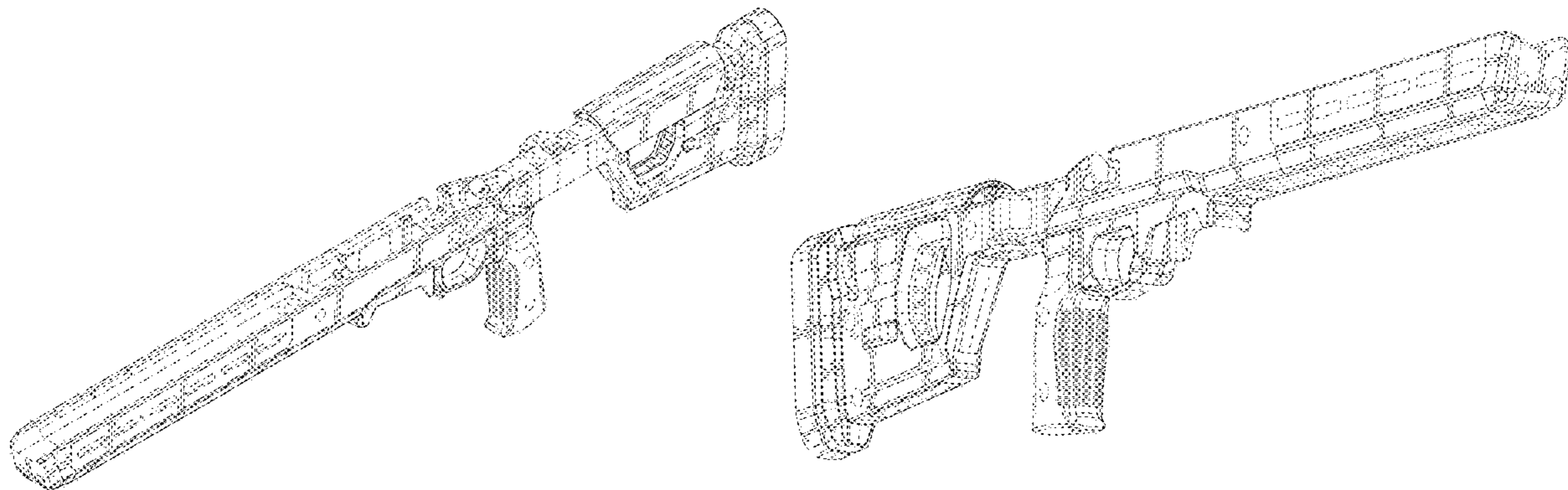
(57) **CLAIM**

The ornamental design for a firearm stock, as shown and described.

DESCRIPTION

FIG. 1 is a front right top perspective view of the firearm stock;
FIG. 2 is a front left bottom perspective view of the firearm stock shown in FIG. 1;
FIG. 3 is a left side elevation view of the firearm stock shown in FIG. 1;
FIG. 4 is a right side elevation view of the firearm stock shown in FIG. 1;
FIG. 5 is a front elevation view of the firearm stock shown in FIG. 1;
FIG. 6 is a rear elevation view of the firearm stock shown in FIG. 1;
FIG. 7 is a top plan view of the firearm stock shown in FIG. 1;
FIG. 8 is a bottom plan view of the firearm stock shown in FIG. 1; and,
FIG. 9 is an alternative configuration of the components of the firearm stock shown in FIG. 1.
The shade lines in the Figures show contour and not surface ornamentation.
The broken lines showing portions of the design in all figures are included for the purpose of illustrating environment and do not form a part of the claimed design.

1 Claim, 6 Drawing Sheets



US D868,924 S

(58) Field of Classification Search

USPC 42/74, 75.01, 75.03, 90; 446/23, 182,
446/192, 401, 403, 405-407, 473, 475
CPC F41A 21/30; F41A 21/325; F41C 23/02;
F41C 23/04; F41C 23/06; F41C 23/08;
F41C 23/10; F41C 23/12; F41C 23/14;
F41C 23/16; F41C 23/18; F41C 23/20;
F41C 23/22; F41C 7/02; F41C 7/04;
F41C 7/06; F41C 7/11; F41C 7/12; F41C
27/00; F41C 27/06

See application file for complete search history.

(56) References Cited

U.S. PATENT DOCUMENTS

6,487,805	B1	12/2002	Reynolds	
6,591,533	B2	7/2003	Wygant	
6,658,781	B1	12/2003	Bowen	
6,662,485	B2	12/2003	Kay	
6,688,031	B2	2/2004	Steele	
6,820,533	B2	11/2004	Schuerman	
6,886,286	B2	5/2005	Dowding	
6,889,461	B2	5/2005	Vignaroli et al.	
7,325,351	B1	2/2008	Leung	
D567,895	S *	4/2008	Cauley	D22/103
7,418,797	B1	9/2008	Cröse	
7,428,794	B2	9/2008	Oz	
7,454,858	B2	11/2008	Griffin	
7,467,489	B2	12/2008	Beretta	
D584,373	S *	1/2009	Young	F41C 23/16 D22/103
7,506,469	B2	3/2009	Poulin et al.	
7,536,819	B2	5/2009	Popikow	
7,552,557	B1	6/2009	Mabry	
7,578,089	B1	8/2009	Griffin	
D600,307	S *	9/2009	Fitzpatrick	D22/109
7,640,688	B2	1/2010	Oz	
D610,218	S *	2/2010	Barrett	D22/103
7,673,412	B2	3/2010	Griffin	
7,698,847	B2	4/2010	Griffin	
7,698,848	B1	4/2010	Bentley	
D616,056	S *	5/2010	Bentley	F41C 23/00 D22/108
7,748,154	B2	7/2010	Moretti	
7,793,453	B1	9/2010	Sewell, Jr. et al.	
7,798,045	B1 *	9/2010	Fitzpatrick	F41A 21/481 42/69.02
7,802,392	B2	9/2010	Peterson et al.	
7,827,719	B2	11/2010	McGarry	
7,827,721	B2	11/2010	Griffin	
7,930,849	B2	4/2011	Abraham et al.	
7,937,875	B1	5/2011	Berg	
7,938,055	B2	5/2011	Hochstrate et al.	
7,966,761	B1	6/2011	Kuczynko et al.	
D641,825	S *	7/2011	Gridelet	D22/103
7,984,580	B1	7/2011	Giauque et al.	
D643,085	S *	8/2011	Peterson	D22/103
D645,532	S *	9/2011	Peterson	D22/103
D646,281	S *	10/2011	Markowitz	D14/418
8,028,458	B2	10/2011	Rohrauer	
8,056,277	B2	11/2011	Griffin	
8,087,193	B2	1/2012	Kincel	
8,127,483	B2	3/2012	Kincel	
D662,167	S *	6/2012	Juarez	D22/103
8,201,489	B2 *	6/2012	Juarez	F41A 5/28 89/191.01
8,215,047	B2	7/2012	Ash, Jr. et al.	
8,245,428	B2	8/2012	Griffin	
D670,783	S *	11/2012	Barrett	D22/103
8,307,575	B1	11/2012	Battaglia	
8,312,661	B2	11/2012	Ludlow	
8,327,569	B2	12/2012	Kincel	
8,387,298	B2	3/2013	Kincel	
8,393,104	B1	3/2013	Moody et al.	
D680,610	S *	4/2013	Allaert	D22/103

8,429,844	B2	4/2013	Dextraze et al.	
D682,973	S *	5/2013	Kasanjian-King	D22/108
8,464,458	B2	6/2013	Chvala	
D687,905	S *	8/2013	Hadley	D21/573
8,601,734	B1	12/2013	Hopkins et al.	
8,631,601	B2	1/2014	Langevin et al.	
8,656,622	B2	2/2014	Peterson et al.	
8,656,623	B1	2/2014	Chvala	
8,720,099	B1	5/2014	Sisk	
8,752,323	B2	6/2014	Fulton et al.	
8,769,855	B2	7/2014	Law	
8,844,185	B2	9/2014	Jarboe	
8,857,094	B2	10/2014	Michel	
8,904,692	B2	12/2014	Ballard	
8,915,005	B2	12/2014	Grimshaw et al.	
8,931,137	B2	1/2015	Daniel et al.	
D722,672	S *	2/2015	Juarez	D22/108
8,955,245	B2	2/2015	Chvala	
D724,169	S *	3/2015	Emde	D22/103
D725,215	S *	3/2015	Eberle	D22/108
9,010,008	B2	4/2015	Hovey	
9,015,980	B2	4/2015	Shull	
9,021,734	B2	5/2015	Voigt	
D731,023	S	6/2015	Hirt et al.	
D738,965	S *	9/2015	Yang	D21/570
D745,627	S *	12/2015	Kielsmeier	D22/108
9,234,722	B2	1/2016	Rice et al.	
D760,326	S *	6/2016	Chu	D21/573
D762,277	S *	7/2016	Juarez	D22/108
9,389,044	B2	7/2016	Rice et al.	
9,417,033	B2	8/2016	Wood et al.	
9,448,034	B2	9/2016	Downey et al.	
9,464,863	B2	10/2016	Mather et al.	
9,534,861	B1 *	1/2017	Kellgren	F41A 21/482
9,546,845	B2	1/2017	Mather	
9,599,429	B1	3/2017	Davis	
D785,122	S *	4/2017	Mather	D22/104
9,612,082	B2	4/2017	Cottle	
9,612,083	B2	4/2017	Cottle et al.	
9,664,479	B1	5/2017	Robinson et al.	
9,851,173	B2 *	12/2017	Malheiros	F41B 11/83
D819,765	S *	6/2018	Kafka	D22/103
10,036,602	B1 *	7/2018	Nuss	F41A 3/72
D827,753	S *	9/2018	Lessard	D22/103
D828,476	S *	9/2018	Smith	D22/108
D831,149	S *	10/2018	Barfoot	D22/108
D842,390	S *	3/2019	Iwasawa	D21/573
2003/0029070	A1	2/2003	Dowding	
2003/0051385	A1	3/2003	Wygant	
2005/0241211	A1	11/2005	Swan	
2006/0010749	A1	1/2006	Kincel	
2006/0174532	A1	8/2006	Popikow	
2008/0028662	A1	2/2008	Abraham et al.	
2011/0047850	A1	3/2011	Rievley et al.	
2012/0137561	A1	6/2012	Ludlow	
2013/0091751	A1	4/2013	Barney	
2013/0185895	A1	7/2013	Daniel et al.	
2013/0340312	A1	12/2013	Fulton et al.	
2014/0196345	A1	7/2014	Grimshaw et al.	
2014/0196346	A1	7/2014	Grimshaw et al.	
2015/0176945	A1	6/2015	Simek	
2016/0025448	A1	1/2016	Kincel	
2016/0084612	A1	3/2016	Robinson et al.	
2016/0116250	A1	4/2016	Mather	
2016/0187092	A1 *	6/2016	Mather	F41A 19/10 42/69.02
2016/0313087	A1	10/2016	Leasure	
2017/0122698	A1	5/2017	Chu	
2017/0191791	A1	7/2017	Davis	

FOREIGN PATENT DOCUMENTS

DE	102006047959	B3	6/2008
EP	390816	A2	1/1999
EP	1026472	A2	8/2000
EP	1026472	A3	4/2001
EP	1674816	A1	6/2006
EP	1688696	A1	8/2006
EP	1756508	A1	2/2007

(56)

References Cited

FOREIGN PATENT DOCUMENTS

EP	1975541	A2	10/2008
EP	2198235	A1	6/2010
EP	2541188	A1	1/2013
EP	3163248	A1	5/2017
GB	754040	A	8/1956
GB	2332039	A	6/1999
GB	2346203	A	8/2000
GB	2382123	A	5/2003
JP	11118392	A	4/1999
RU	2077016	C1	4/1997
RU	2329450	C2	1/2006
RU	2543139	C1	2/2015
WO	2015034410	A1	3/2015
WO	2015066590	A2	5/2015

OTHER PUBLICATIONS

Magpul Pro 700, Magpul.com, [online], [site visited Apr. 1, 2019]. <URL: <https://www.magpul.com/products/pro-700?ProductColor=VO343>> (Year: 2019).*

Magpul Pro 700—Fixed Stock, Magpul.com, [online], [site visited Apr. 1, 2019]. <URL: <https://www.magpul.com/products/magpul-pro-700-fixed-stock?ProductColor=VO343>> (Year: 2019).*

Magpul Pro 700L—Folding Stock, Magpul.com, [online], [site visited Apr. 1, 2019]. <URL: [online], [site visited Apr. 1, 2019]. <URL: <https://www.magpul.com/products/magpul-pro-700l-folding-stock?ProductColor=VO343>> (Year: 2019).*

Tested: Magpul Pro 700 Rifle Stock, AmericanRifleman.org, by American Rifleman Staff—Wednesday, Nov. 28, 2018, [online], [site visited Apr. 1, 2019]. <URL: <https://www.americanrifleman.org/articles/2018/11/28/tested-magpul-pro-700-rifle-stock/>> (Year: 2018).*

The Magpul Pro 700 Chassis, GunsAndAmmo.com, Tom Beckstrand—Dec. 31, 2018, [online], [site visited Apr. 1, 2019]. <URL: <https://www.gunsandammo.com/editorial/the-magpul-pro-700-chassis/330133>> (Year: 2018).*

Legacy HCR 6.5 Creedmoor Chassis Rifle with LUTH-AR MBA-3 Stock, SportsmansOutdoorSuperstore.com, [online], [site visited Apr. 1, 2019]. <URL: <https://www.sportsmansoutdoorsuperstore.com/products2.cfm/ID/184137/hcr192502/legacy-hcr-6.5-creedmoor-chassis-rifle-with-lut>> (Year: 2019).*

Element Chassis, XLRindustries.com, [online], [site visited Apr. 1, 2019]. <URL: <https://xlindustries.com/products/element-chassis>> (Year: 2019).*

Accuracy International, “AICS Chassis Systems”, Retrieved from <http://www.accuracyinternational.us/aics-chassis-systems/>, Known to exist as early as May 15, 2017.

Accuracy International, “Accuracy International At Rifle System”, Retrieved from <http://www.accuracyinternational.us/at-rifle-system/>, Known to exist as early as May 15, 2017.

Accuracy International, “AX Rifle Systems”, Retrieved from <http://www.accuracyinternational.us/ax-rifle-systems/>, Known to exist as early as May 15, 2017.

Athlon Outdoors, “Accurate-Mags AM40A6 .308 Delivers SUB-MOA Precision”, Retrieved from <https://www.tactical-life.com/firearms/accurate-mags-am40a6-308-delivers-sub-moa-precision/#accurate-mag-am40a6-trigger>, Known to exist as early as Feb. 18, 2016.

Monveldt, Sergey, “File History Re U.S. Appl. No. 14/284,376”, Aug. 20, 2015, p. 48.

Armlist, LLC, “McRees Precision G5 R7ST Chassis”, Retrieved from <http://www.armlist.com/posts/5191383/wyoming-gun-parts-for-sale--mcrees-precision-g5-r7st-chassis>, Known to exist as early as May 15, 2017.

Eberlestock, “Stealth Rifle Chassis”, Retrieved from <http://www.eberlestock.com/store/stealth-rifle-chassis>, known to exist as early as Feb. 8, 2016, p. 2.

J. Allen Enterprises, “JAE-700 Standard Colors / Pricing”, Retrieved from <http://www.jallenglobal.com/rife-stocks/jae-700/jae-700-standard-orders/>, Known to exist as early as May 15, 2017.

Kinetic Research Group, LLC, “KRG Whiskey-3 Chassis”, Retrieved from <https://kineticresearchgroup.com/product/whiskey-3-chassis/>, Known to exist as early as May 15, 2017.

Coker Tactical, LLC, “KRG Whiskey 3 Chassis Stock Review”, Retrieved from <https://tacticalgunreview.com/krg-whiskey-3-chassis-stock-review/>, Apr. 7, 2014, p. 3.

Kinetic Research Group, LLC, “KRG X-Ray Chassis”, Retrieved from <https://kineticresearchgroup.com/product/x-ray-chassis/>, Known to exist as early as May 15, 2017.

McRees Precision, “McRee’s Precision G7 Rifle Stock Series”, Retrieved from http://shop.mcreesprecision.net/G7-RIFLE-STOCKS_c478.htm, Known to exist as early as May 15, 2017.

McRee’s Precision, “McRee’s Precision G10 Rifle Stock Series”, Retrieved from http://shop.mcreesprecision.net/G10-RIFLE-STOCKS_c490.htm, Known to exist as early as May 15, 2017.

Clement, Michelle Renee, “Prosecution History Re U.S. Appl. No. 12/541,806”, Sep. 17, 2010, p. 73.

Recoil Magazine, “Preview McRee G5 TMAG”, Retrieved from <http://www.recoilweb.com/preview-mcree-g5-tmag-1000-yards-no-problem-29765.html>, Known to exist as early as May 15, 2017.

Remington Arms Company, Inc., “Sniper Rifles MSR”, Retrieved from <http://remingtonmilitary.com/Firearms/Sniper%20Rifles/MSR.aspx>, Known to exist as early as May 15, 2017.

Sako, Ltd., “Sako TRG”, Retrieved from <http://www.sako.fi/rifles/sako-trg#rifles>, Known to exist as early as May 15, 2017.

Soldier Systems, “Posts Tagged Sig Sauer”, Retrieved from <http://soldiersystems.net/tag/sig-sauer/page/5/>, Known to exist as early as Feb. 18, 2016, p. 20.

XLR Industries, “Evolution Chassis Package”, Retrieved from <https://xlindustries.com/collections/chassis/products/evolution-chassis>, Known to exist as early as May 15, 2017.

* cited by examiner

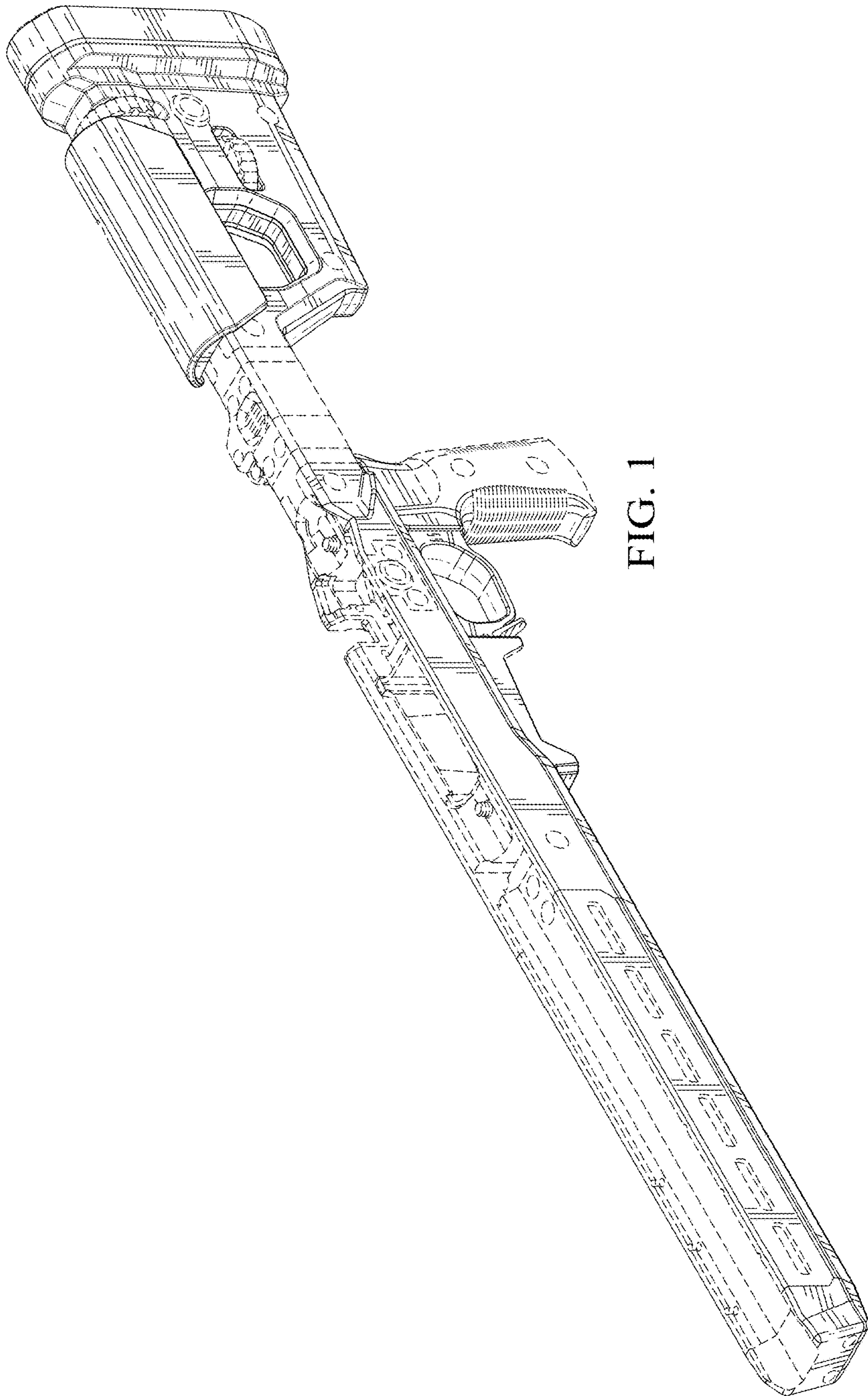


FIG. 1

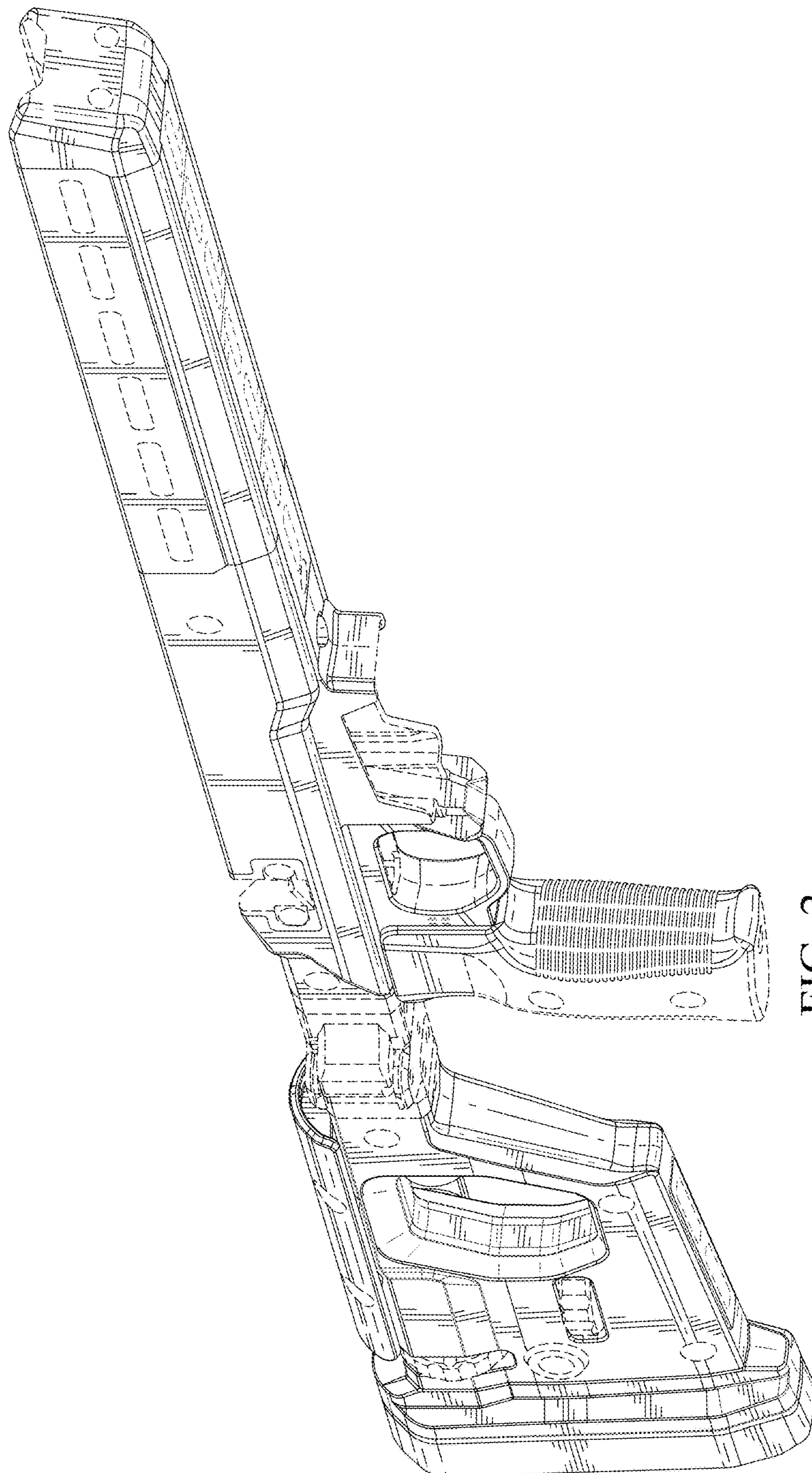


FIG. 2

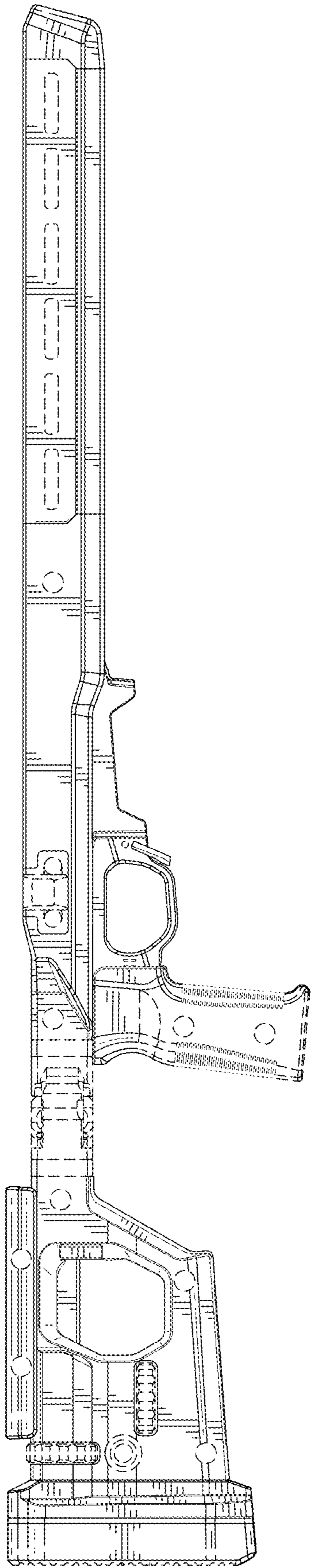


FIG. 3

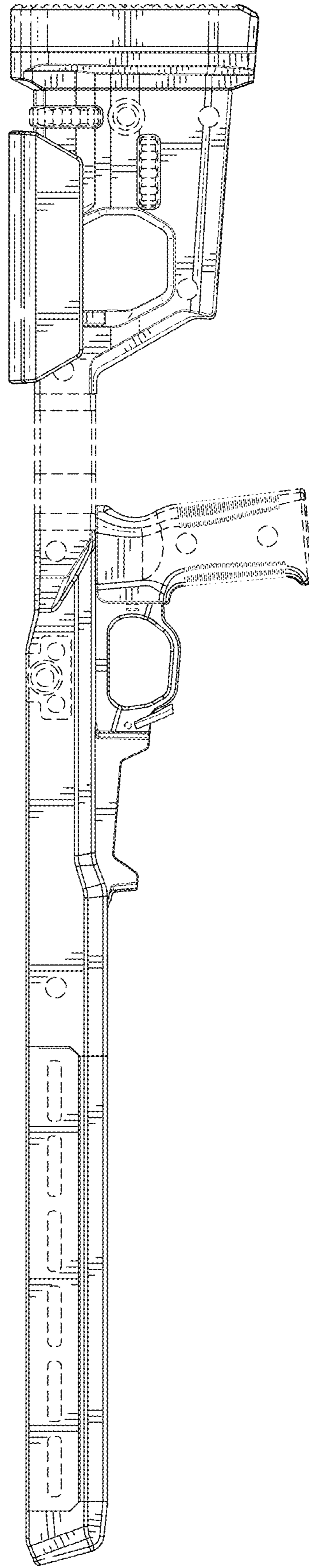


FIG. 4

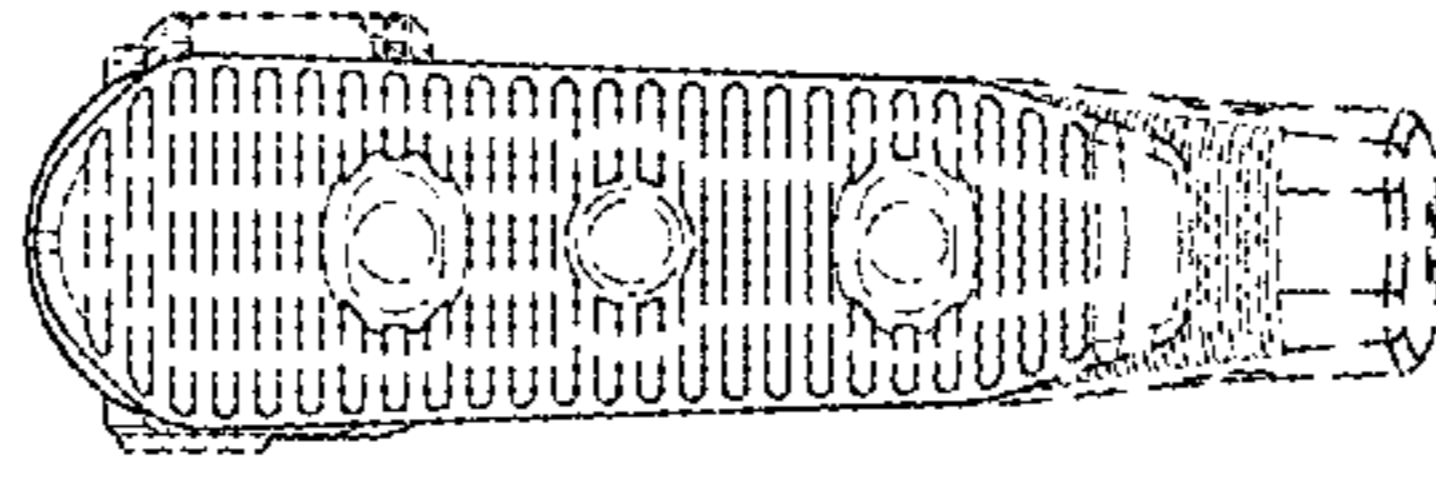


FIG. 6

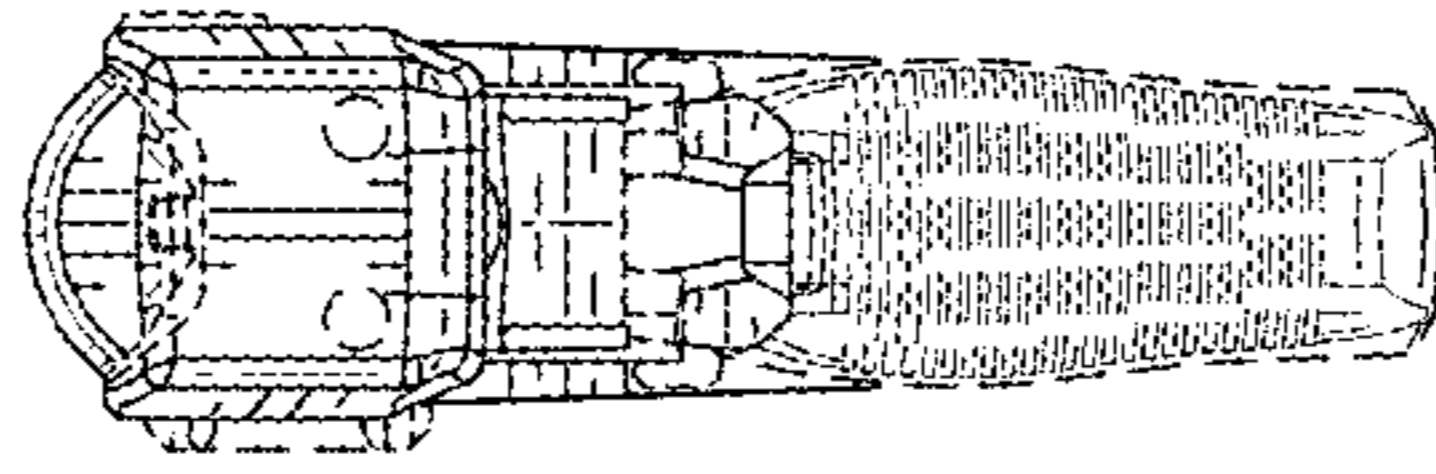


FIG. 5

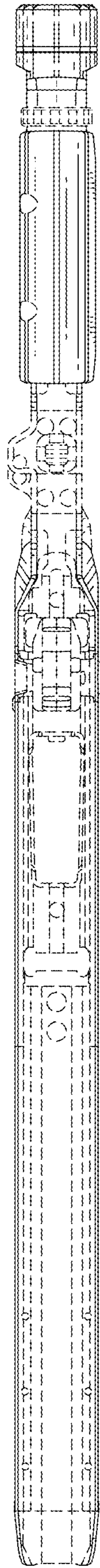


FIG. 7

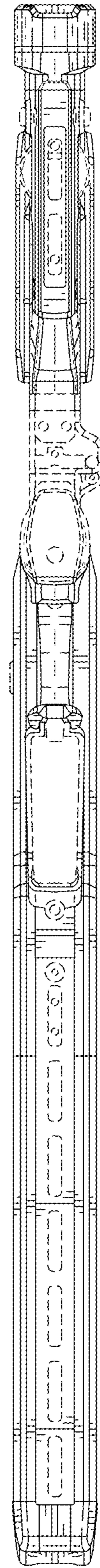


FIG. 8

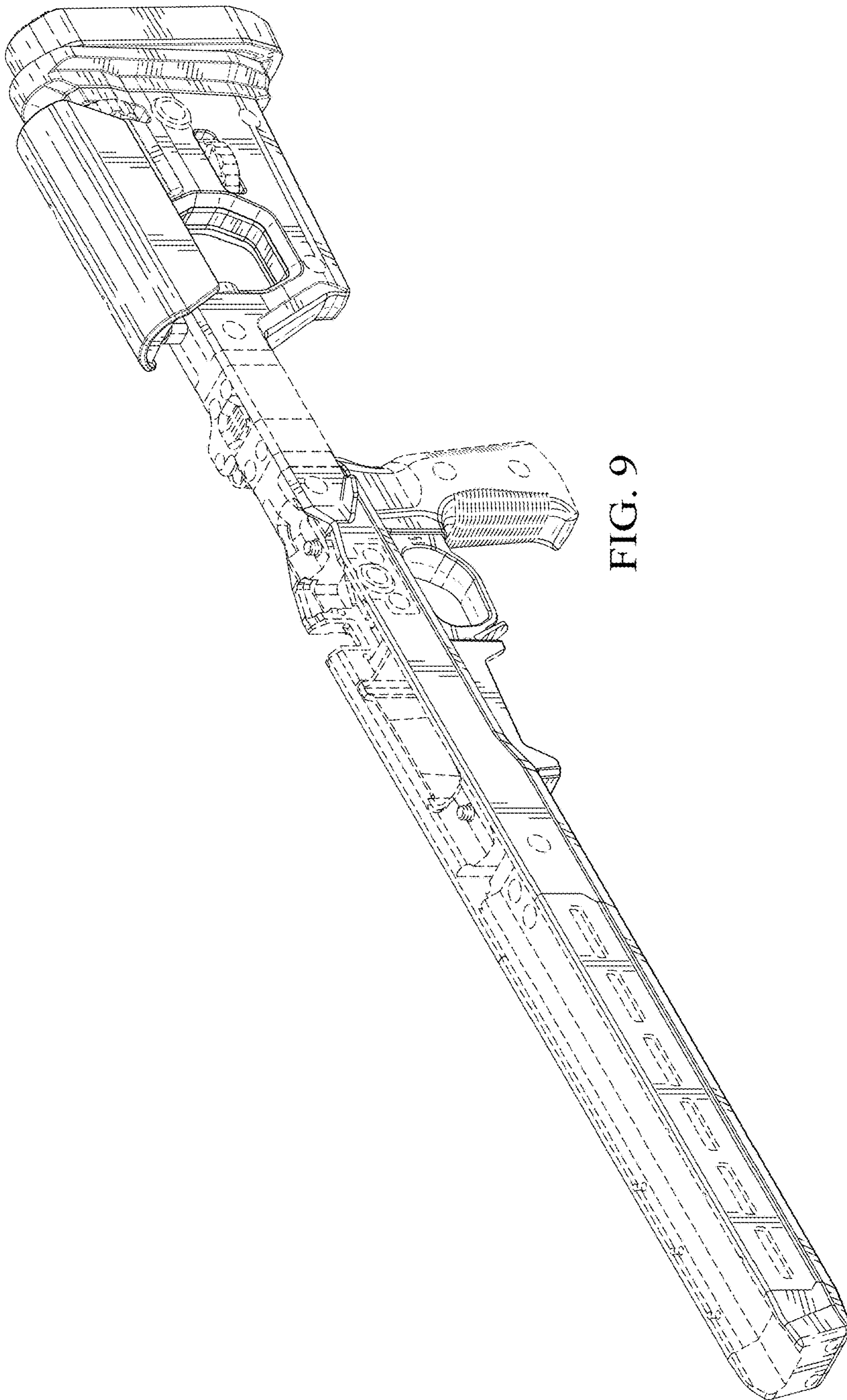


FIG. 9