

US00D868923S

(12) **United States Design Patent** (10) **Patent No.:** **US D868,923 S**
Toner et al. (45) **Date of Patent:** **** Dec. 3, 2019**

- (54) **HANDGUN SLIDE**
- (71) Applicant: **Sig Sauer, Inc.**, Newington, NH (US)
- (72) Inventors: **Sean P. Toner**, Merrimack, NH (US);
Matthew A. Taylor, Barrington, NH (US)
- (73) Assignee: **Sig Sauer, Inc.**, Newington, NH (US)
- (**) Term: **15 Years**
- (21) Appl. No.: **29/640,685**
- (22) Filed: **Mar. 16, 2018**

- D510,401 S 10/2005 Murello et al.
- D593,629 S * 6/2009 Bantle D22/104
- D600,310 S 9/2009 Fitzpatrick et al.
- D606,155 S 12/2009 Swan
- D606,156 S 12/2009 Swan
- D627,028 S * 11/2010 Coulombier D22/104
- D636,044 S 4/2011 Larson et al.
- D636,048 S 4/2011 Larson et al.
- 7,966,761 B1 6/2011 Kuczynko et al.
- 8,061,072 B1 11/2011 Crose
- 8,151,504 B1 4/2012 Aiston
- 8,245,429 B2 8/2012 Kuczynko et al.
- D671,184 S 11/2012 Larson et al.
- D674,859 S 1/2013 Robbins et al.
- 8,443,538 B1 5/2013 Moody
- D688,764 S 8/2013 Yigit
- D690,374 S * 9/2013 Lee D21/574
- 8,522,467 B1 9/2013 Christensen et al.
- D692,517 S 10/2013 Faifer

Related U.S. Application Data

- (63) Continuation of application No. 29/570,365, filed on Jul. 7, 2016, now Pat. No. Des. 815,233.
- (51) **LOC (12) Cl.** **22-01**
- (52) **U.S. Cl.**
USPC **D22/104**
- (58) **Field of Classification Search**
USPC D22/104, 108; D21/573-575
CPC F41C 3/14; F41C 3/16; F41C 3/04
See application file for complete search history.

References Cited

U.S. PATENT DOCUMENTS

- 2,424,194 A 7/1947 Sampson et al.
- 2,970,398 A 2/1961 Crouch
- 3,488,488 A 1/1970 Crouch
- 3,618,584 A 11/1971 Pigeon
- 4,512,236 A 4/1985 Thevis et al.
- 4,617,749 A 10/1986 Jurek
- 4,735,007 A 4/1988 Gal
- D344,124 S 2/1994 Cupp
- D410,988 S 6/1999 Hines
- 5,983,774 A 11/1999 Mihaita
- 6,839,998 B1 1/2005 Armstrong

(Continued)

Primary Examiner — Michael A. Pratt

(74) *Attorney, Agent, or Firm* — Finch & Maloney PLLC

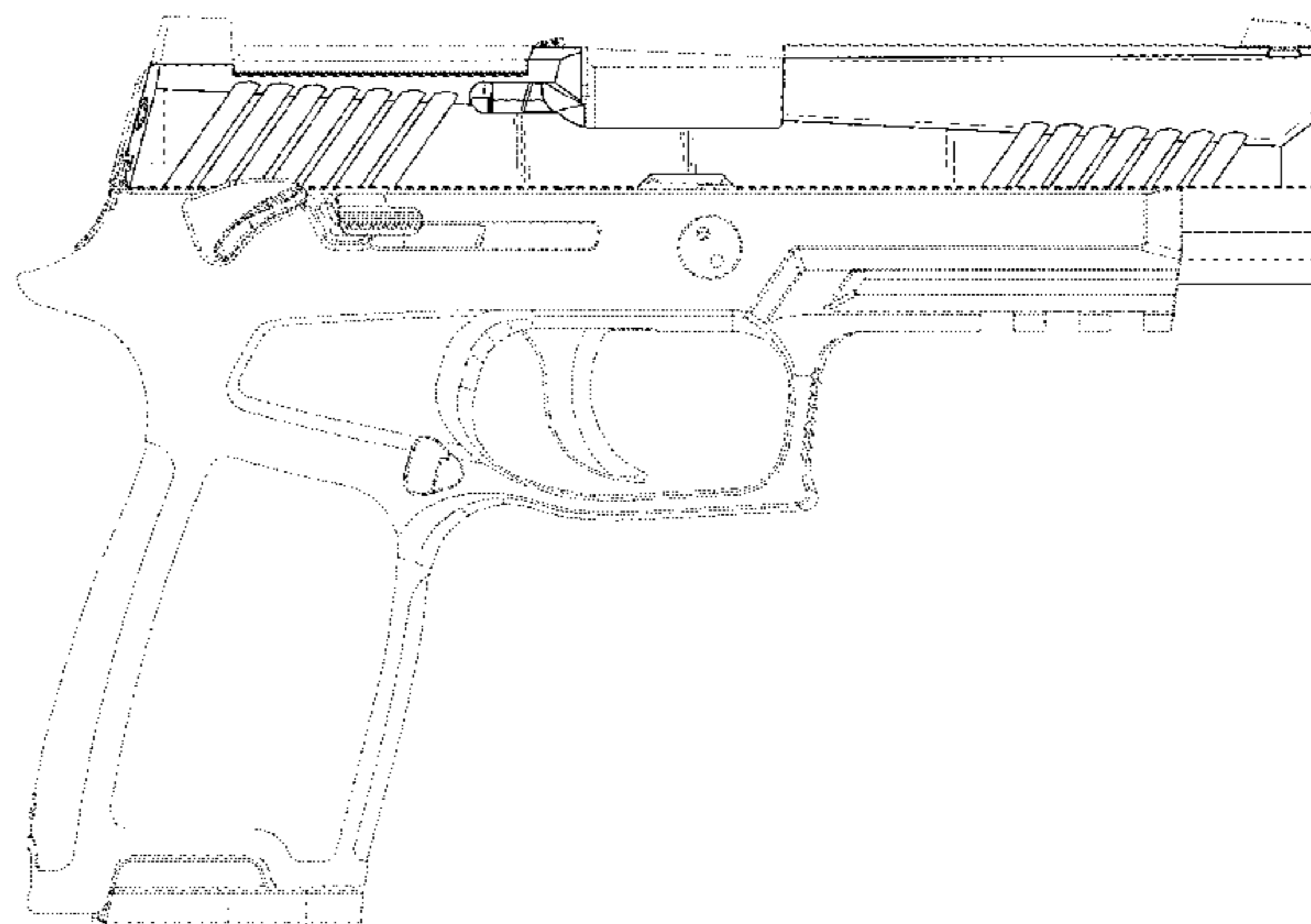
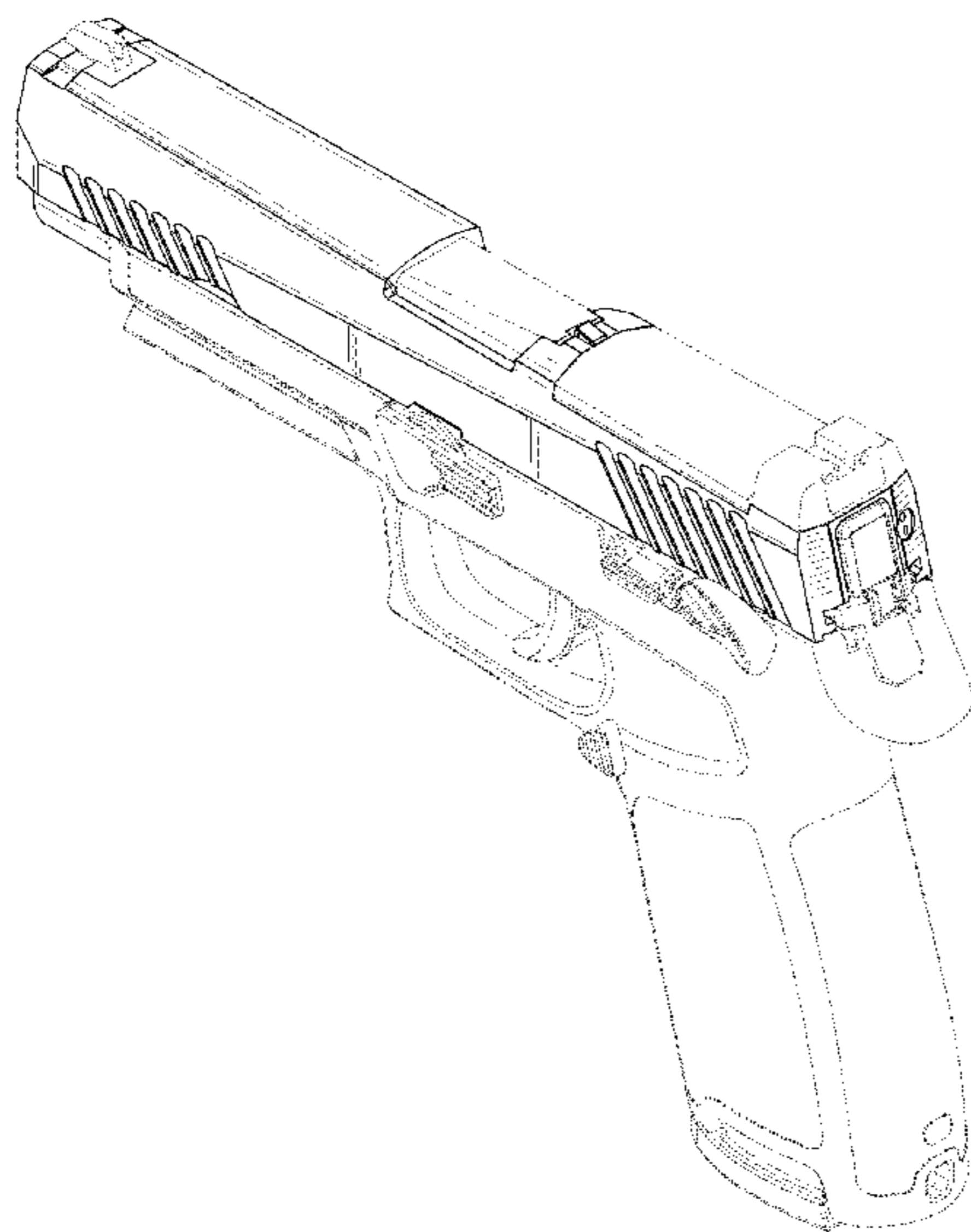
(57) **CLAIM**

The ornamental design for a handgun slide, as shown and described.

DESCRIPTION

FIG. 1 is a rear left perspective view of a handgun slide attached to a handgun, showing the design; FIG. 2 is a rear right perspective view thereof; FIG. 3 is a front elevational view thereof; FIG. 4 is a rear elevational view thereof; FIG. 5 is a right elevational view thereof; FIG. 6 is a left elevational view thereof; FIG. 7 is a top plan view thereof; and, FIG. 8 is a bottom plan view thereof. Broken lines in the drawings are for the purpose of illustrating environmental structure and form no part of the claimed design.

1 Claim, 8 Drawing Sheets



(56)

References Cited

U.S. PATENT DOCUMENTS

8,631,601	B2	1/2014	Langevin et al.	
8,667,882	B1	3/2014	Larson et al.	
8,726,558	B1	5/2014	Nason	
8,769,855	B2	7/2014	Law	
D714,413	S	9/2014	Kerbrat et al.	
8,844,185	B2	9/2014	Jarboe	
D716,403	S	10/2014	Burt et al.	
D724,688	S	3/2015	Hirt et al.	
D725,213	S	3/2015	Hirt et al.	
D725,219	S	3/2015	Hirt et al.	
D725,220	S	3/2015	Hirt et al.	
D731,023	S	6/2015	Hirt et al.	
D742,985	S *	11/2015	Hudson, III	D22/104
D744,049	S *	11/2015	Chu	D21/574
D755,907	S *	5/2016	Hu	D21/574
D758,519	S *	6/2016	Toner	D22/108
D791,262	S	7/2017	Brown et al.	
D808,487	S *	1/2018	Beville	D22/104
D823,969	S *	7/2018	Beville	D22/104
D828,892	S *	9/2018	Kellgren	D22/104
D839,971	S *	2/2019	Chu	D21/574
D849,174	S *	5/2019	Beville	D22/104
D854,642	S *	7/2019	Shinkle	D22/104
2009/0282718	A1	11/2009	Bartley	
2010/0186276	A1	7/2010	Herring	
2011/0283581	A1	11/2011	Freed	
2012/0017482	A1	1/2012	Chvala	
2012/0180354	A1	7/2012	Sullivan et al.	
2013/0125442	A1	5/2013	Burruss, Jr.	
2014/0033590	A1	2/2014	Gomez	
2014/0075816	A1	3/2014	Larson et al.	
2014/0196346	A1	7/2014	Grimshaw et al.	
2014/0260946	A1	9/2014	Gomez	

* cited by examiner

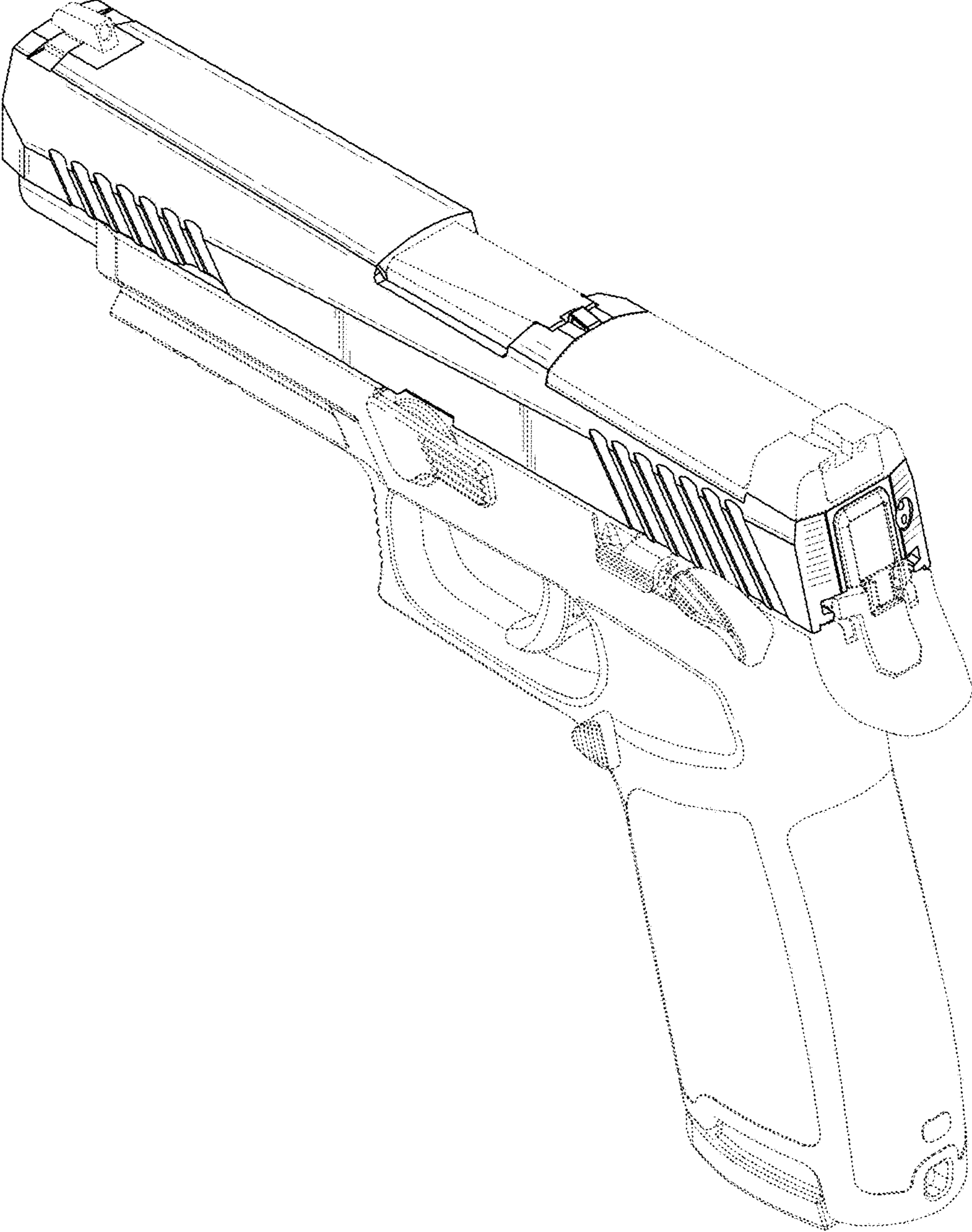


FIG. 1

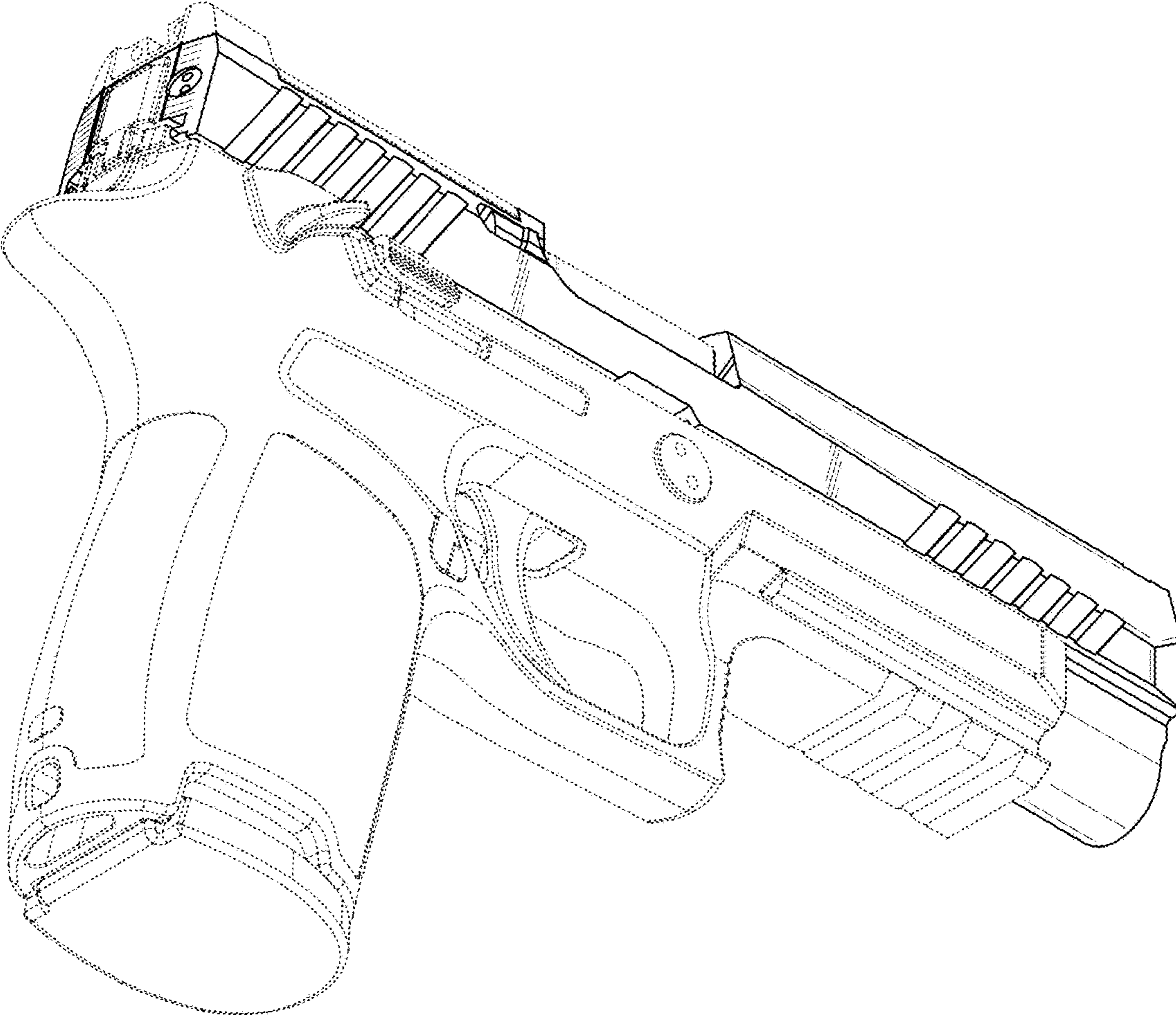


FIG. 2

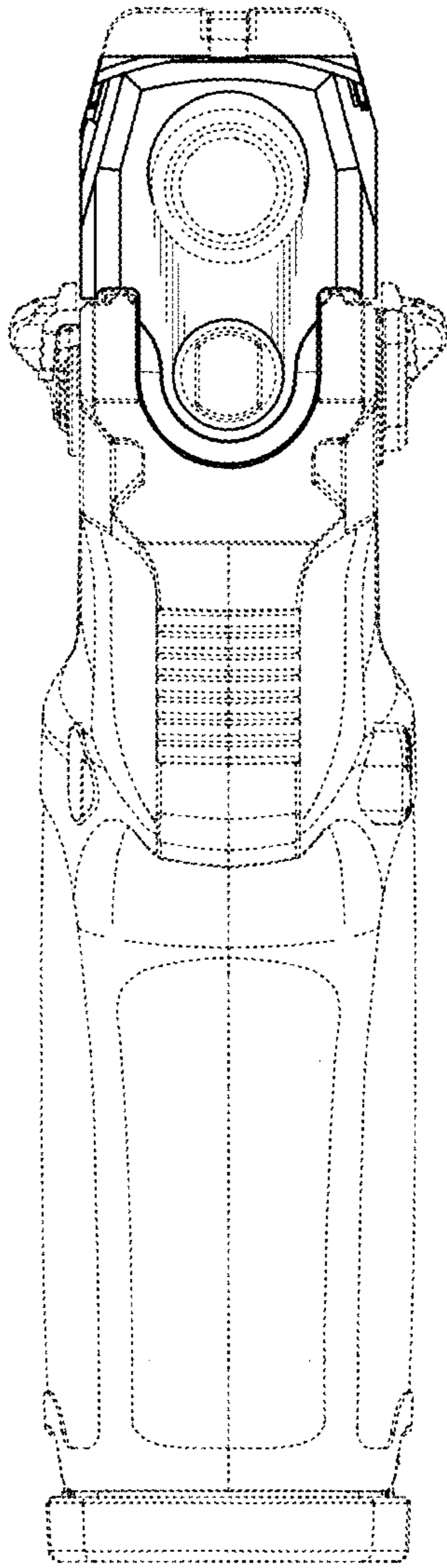


FIG. 3

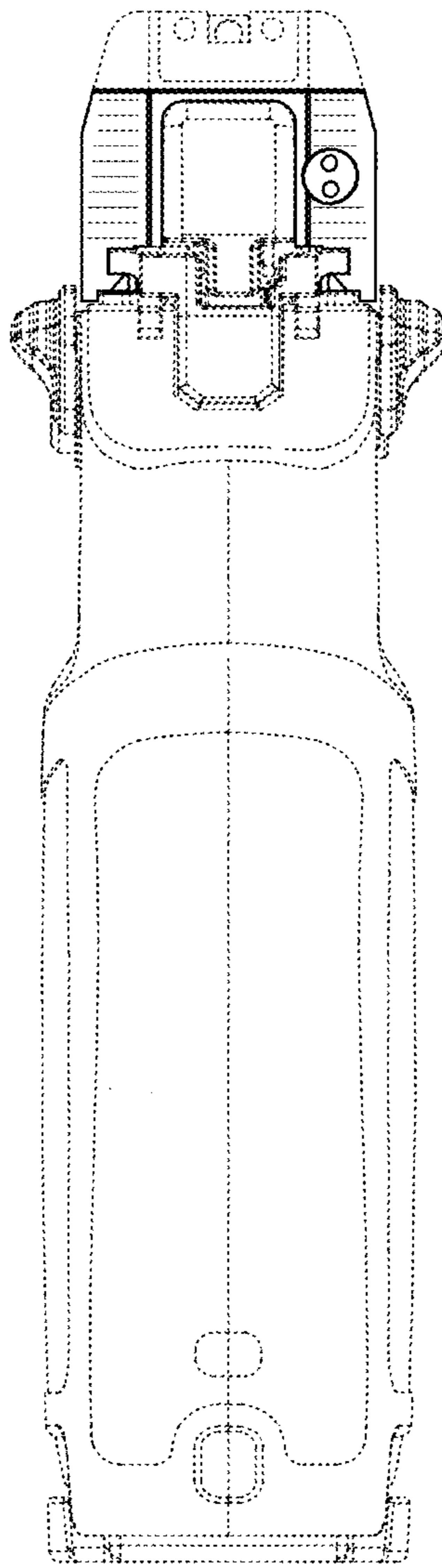


FIG. 4

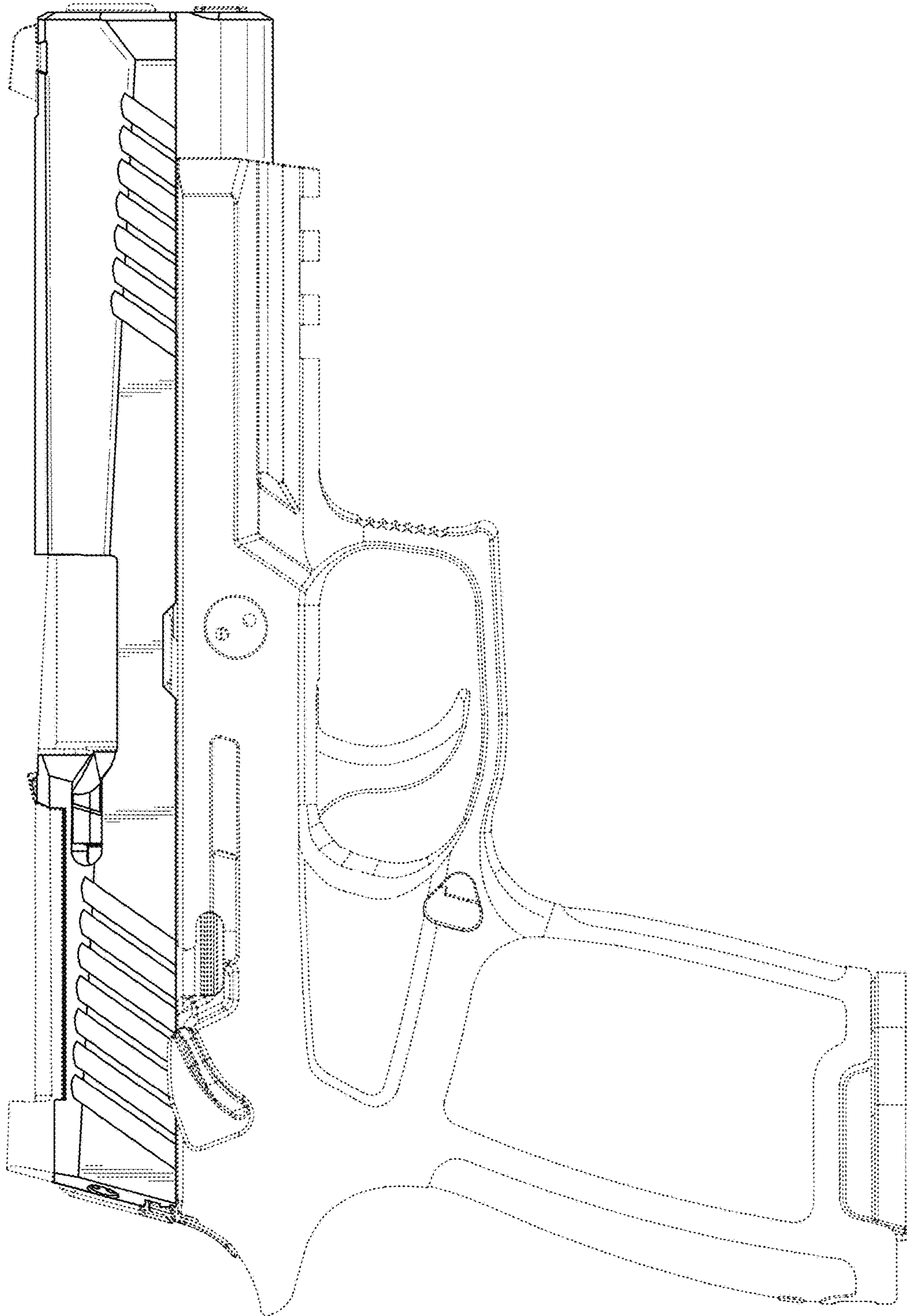


FIG. 5

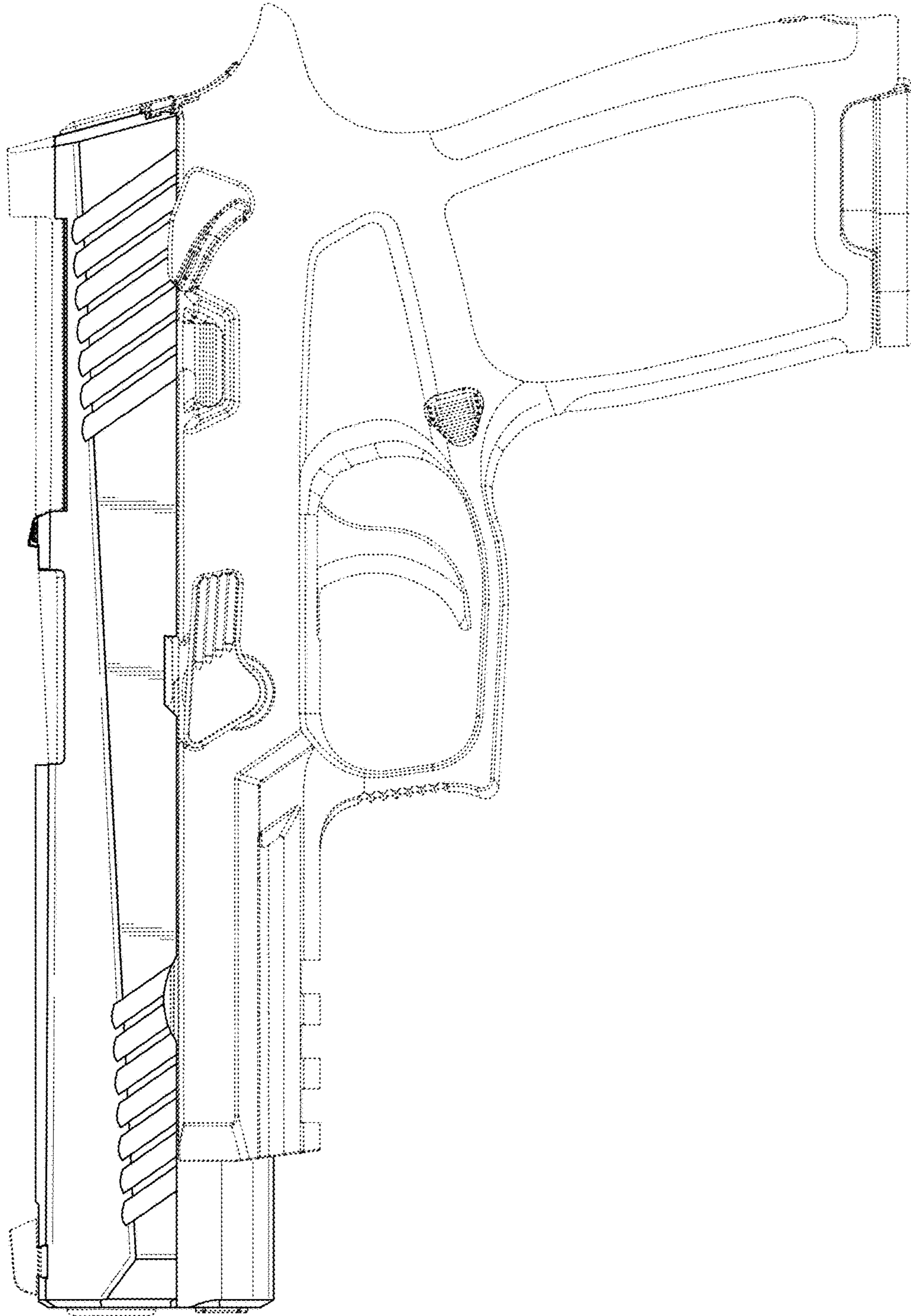


FIG. 6

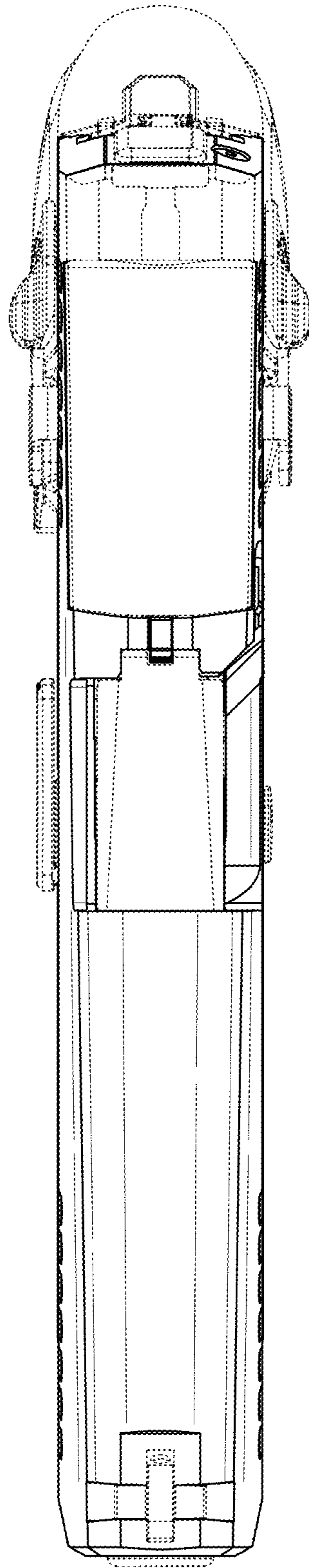


FIG. 7

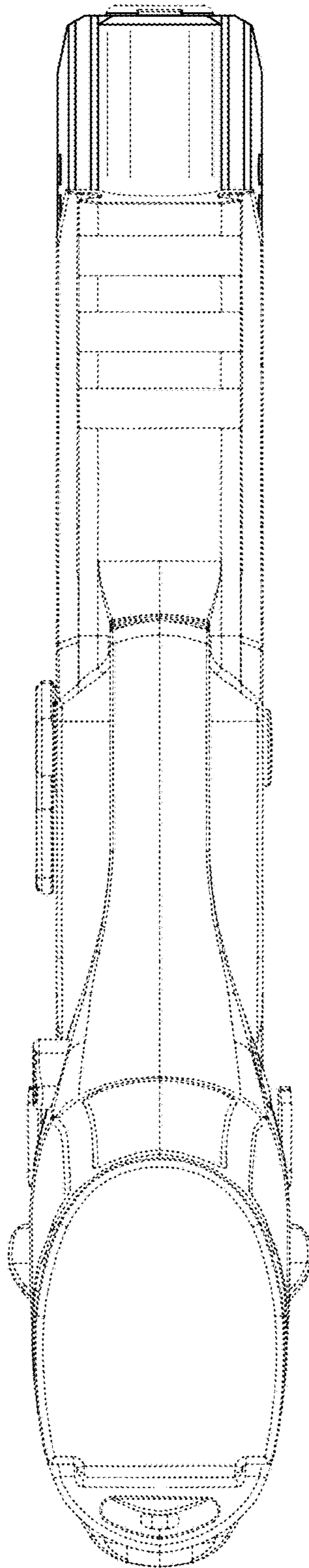


FIG. 8