



US00D868922S

(12) **United States Design Patent** (10) **Patent No.:** **US D868,922 S**
Tanoury et al. (45) **Date of Patent:** **** Dec. 3, 2019**

(54) **BULL POOL FLOAT**

(71) Applicant: **P&P Imports LLC**, Santa Ana, CA (US)

(72) Inventors: **Peter Tanoury**, Newport Beach, CA (US); **Peter Engler**, Newport Beach, CA (US); **Sean Kyne**, Dana Point, CA (US)

(73) Assignee: **P&P Imports LLC**, Santa Ana, CA (US)

(**) Term: **15 Years**

(21) Appl. No.: **29/667,738**

(22) Filed: **Oct. 24, 2018**

(51) **LOC (12) Cl.** **21-02**

(52) **U.S. Cl.**

USPC **D21/808**

(58) **Field of Classification Search**

USPC D21/769-770, 801, 803, 808, 809; D12/5, 6, 316; D6/392, 595, 596, 601, D6/604, 605

CPC B63B 35/79; B63B 35/73; B63B 1/00; B63B 35/76

See application file for complete search history.

(56) **References Cited**

U.S. PATENT DOCUMENTS

D281,261 S *	11/1985	Stubbmann	D21/419
D301,910 S *	6/1989	Wolfe	D21/808
D787,617 S *	5/2017	Krepack	D21/808
D834,674 S *	11/2018	Hsu	D21/808

* cited by examiner

Primary Examiner — Zenia I Bennett

(74) *Attorney, Agent, or Firm* — Casey Kempner

(57) **CLAIM**

The ornamental design for a bull pool float, as shown and described.

DESCRIPTION

FIG. 1 is a front top-left perspective view of a bull pool float; FIG. 2 is a back top-right perspective view of the bull pool float;

FIG. 3 is a front view of the bull pool float;

FIG. 4 is a back view of the bull pool float;

FIG. 5 is a right side view of the bull pool float;

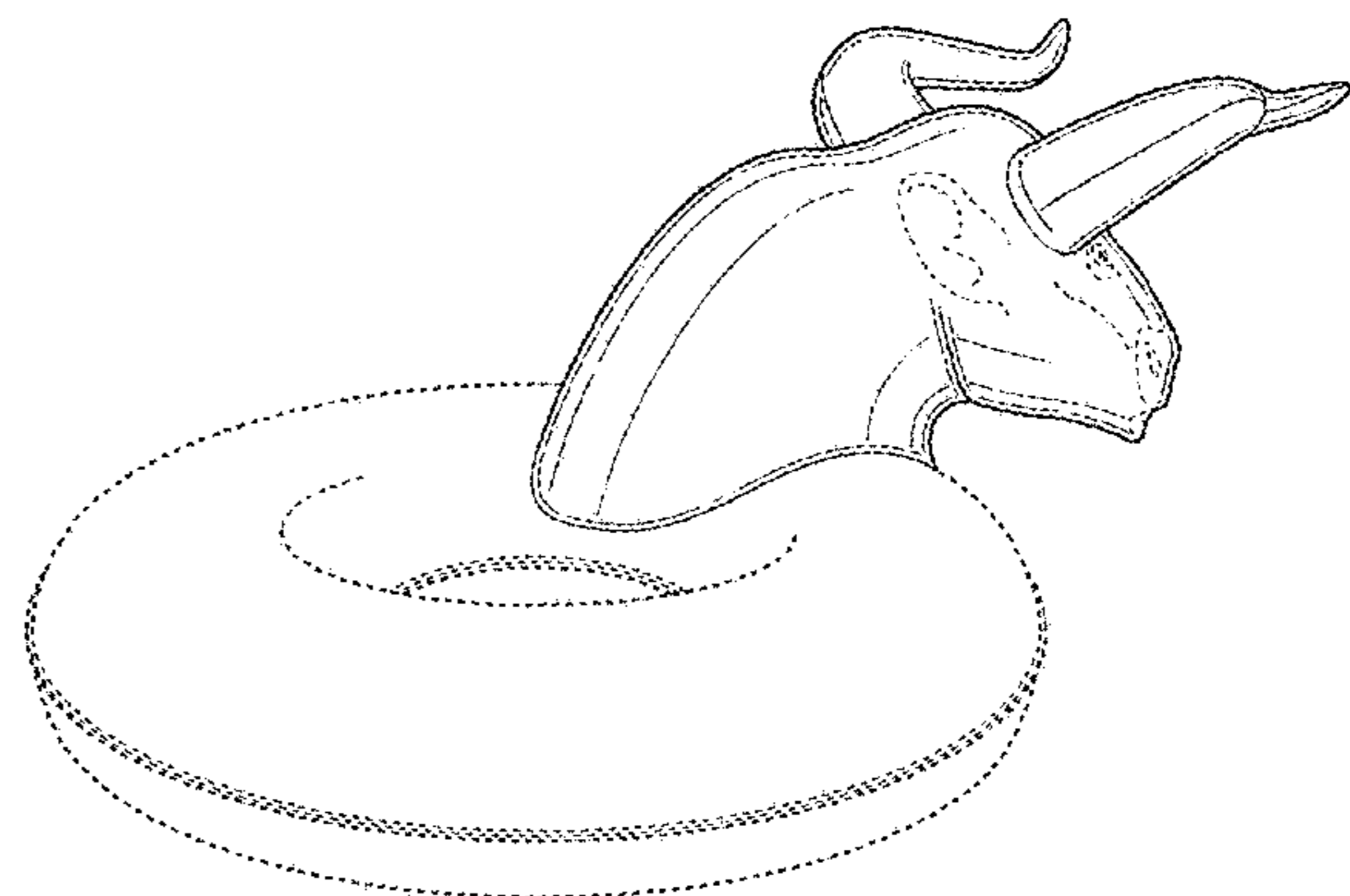
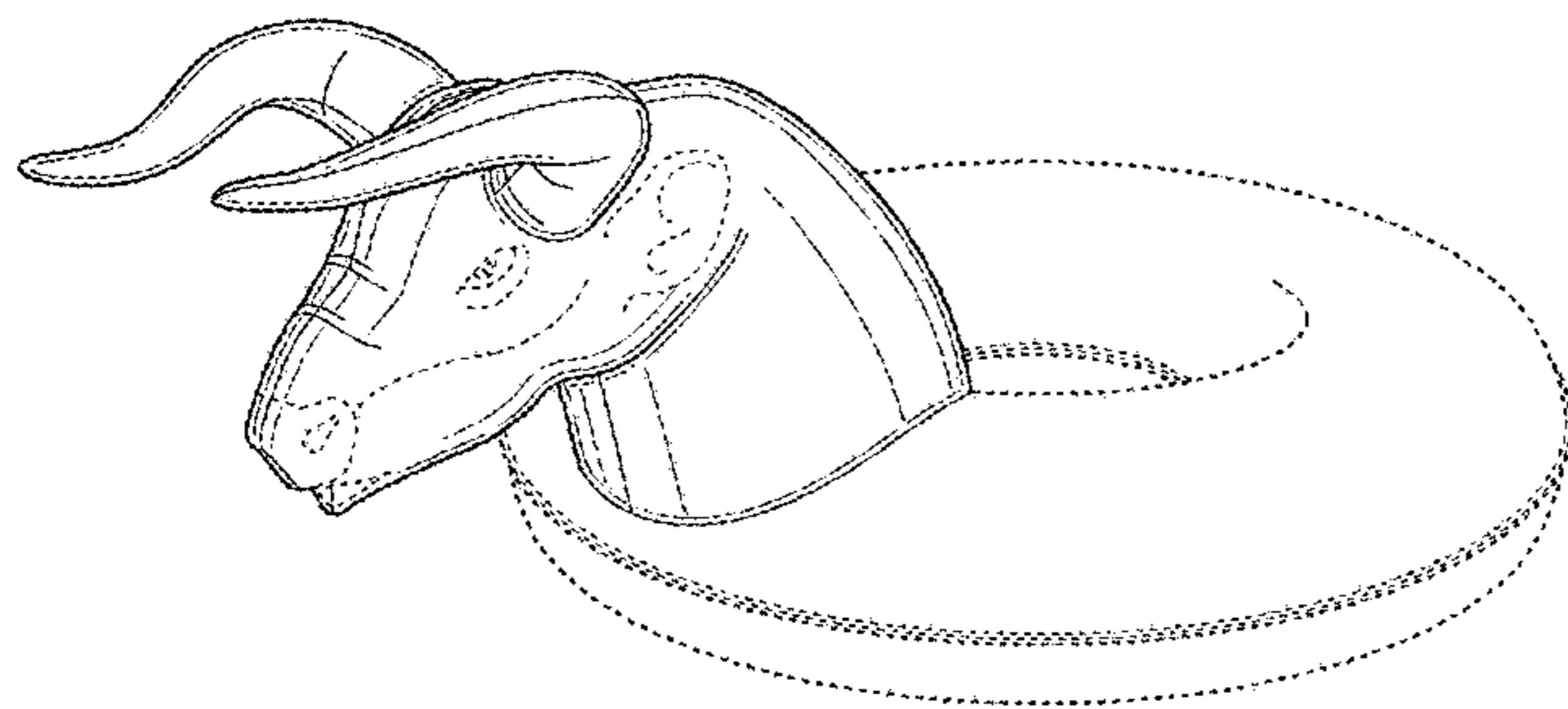
FIG. 6 is a left side view of the bull pool float;

FIG. 7 is a top view of the bull pool float; and,

FIG. 8 is a bottom view of the bull pool float.

The broken lines in the drawing depicting portions of the bull pool float are for illustrative purposes only and form no part of the claimed design.

1 Claim, 5 Drawing Sheets



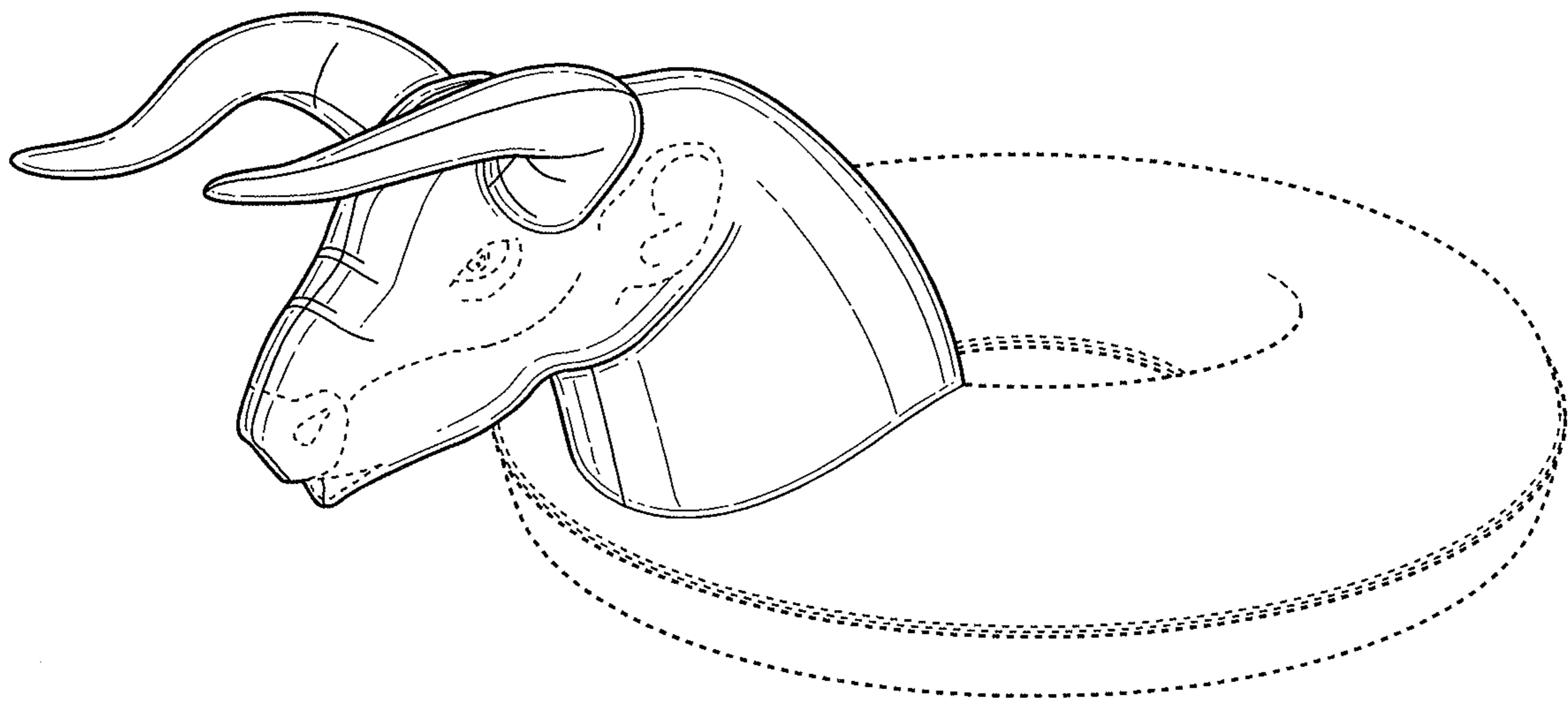


FIG. 1

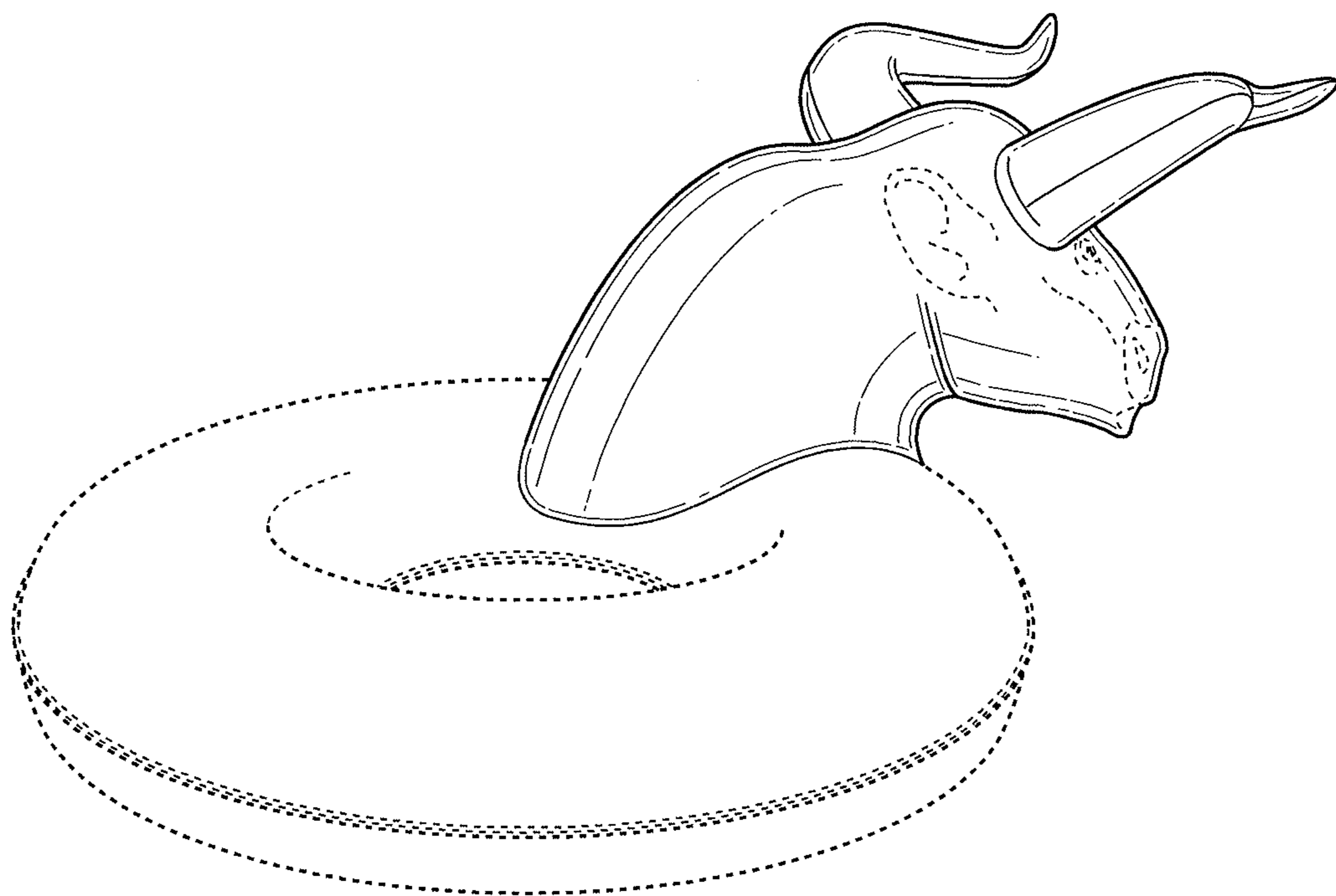


FIG. 2

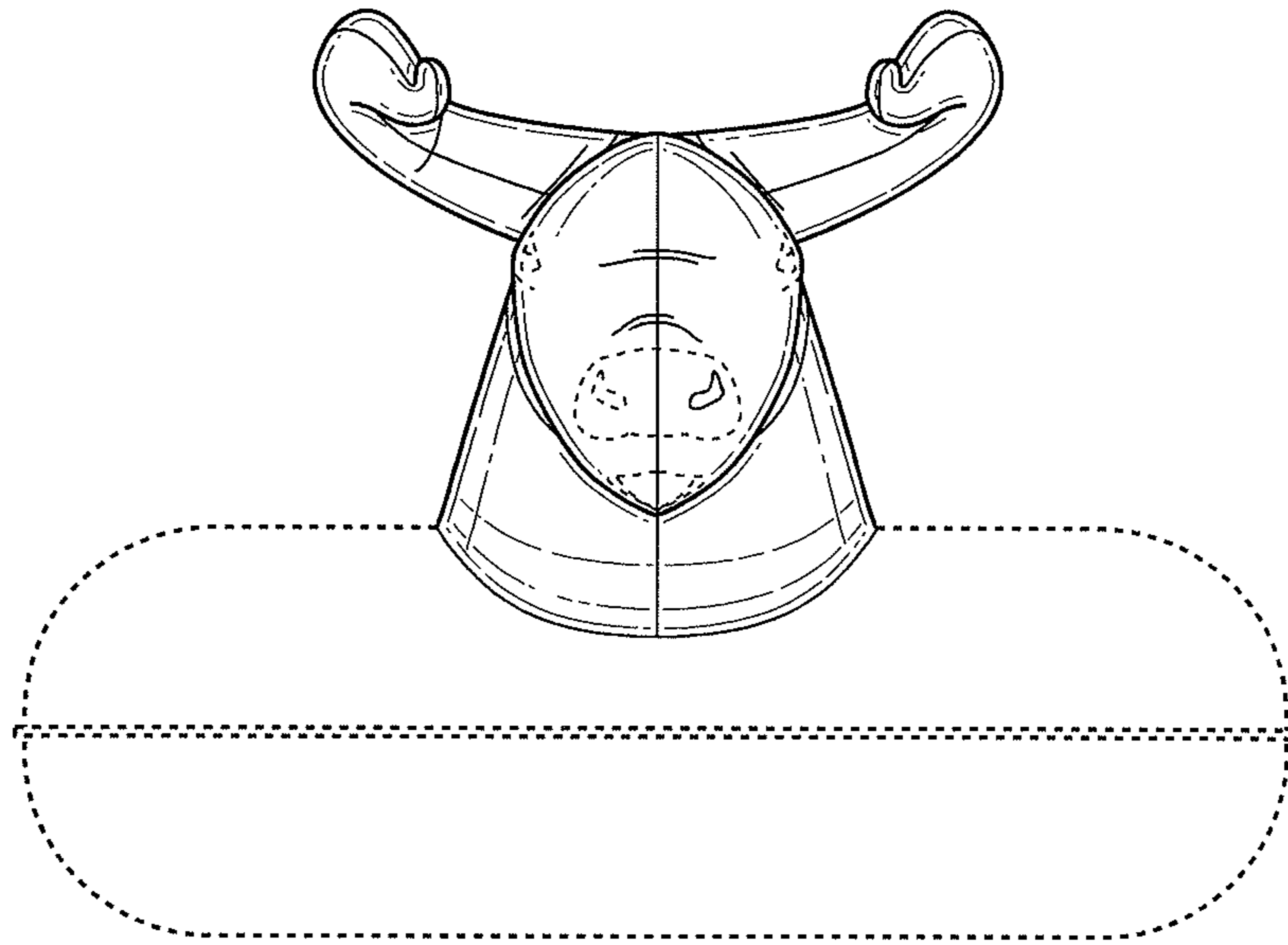


FIG. 3

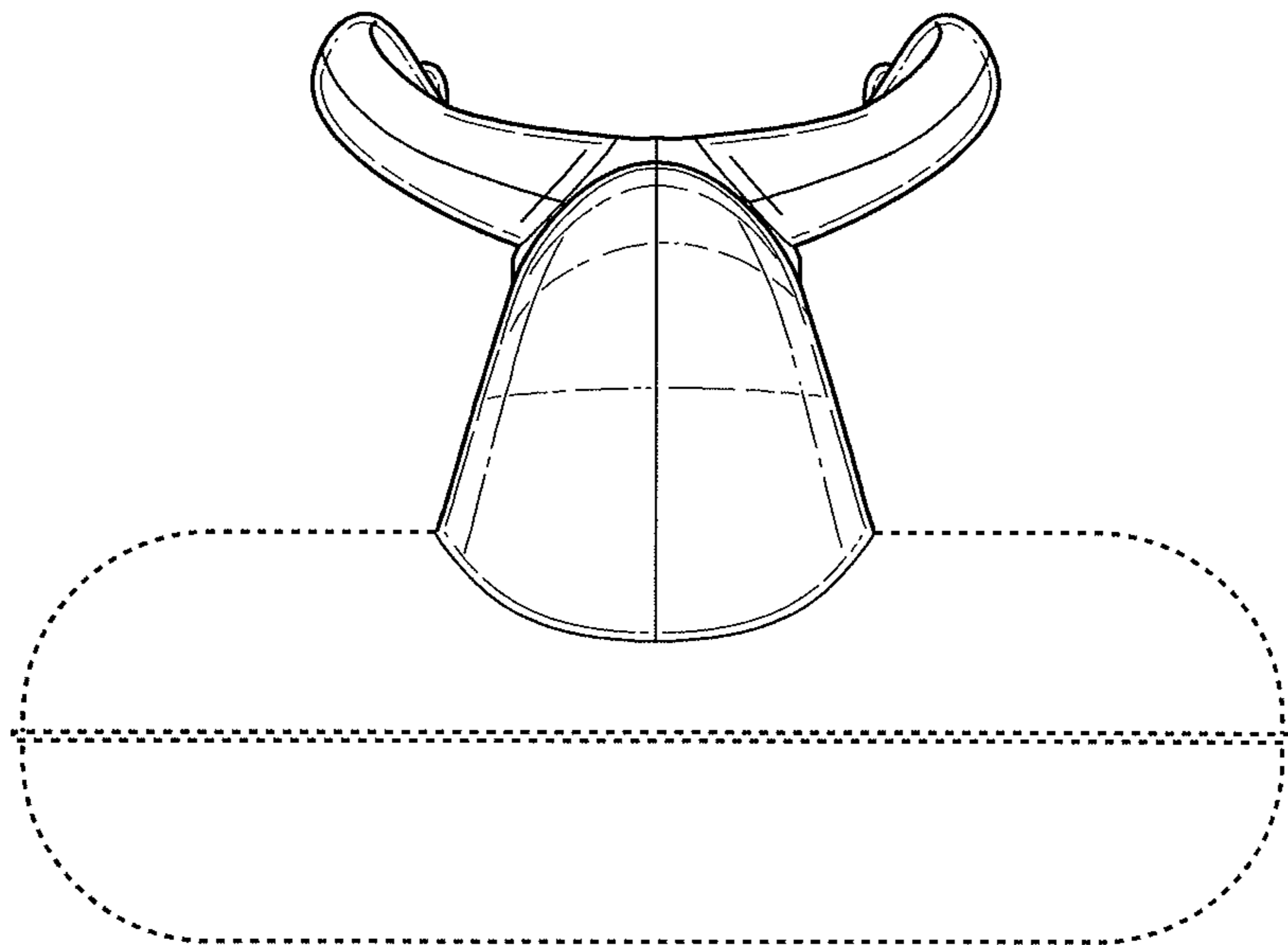


FIG. 4

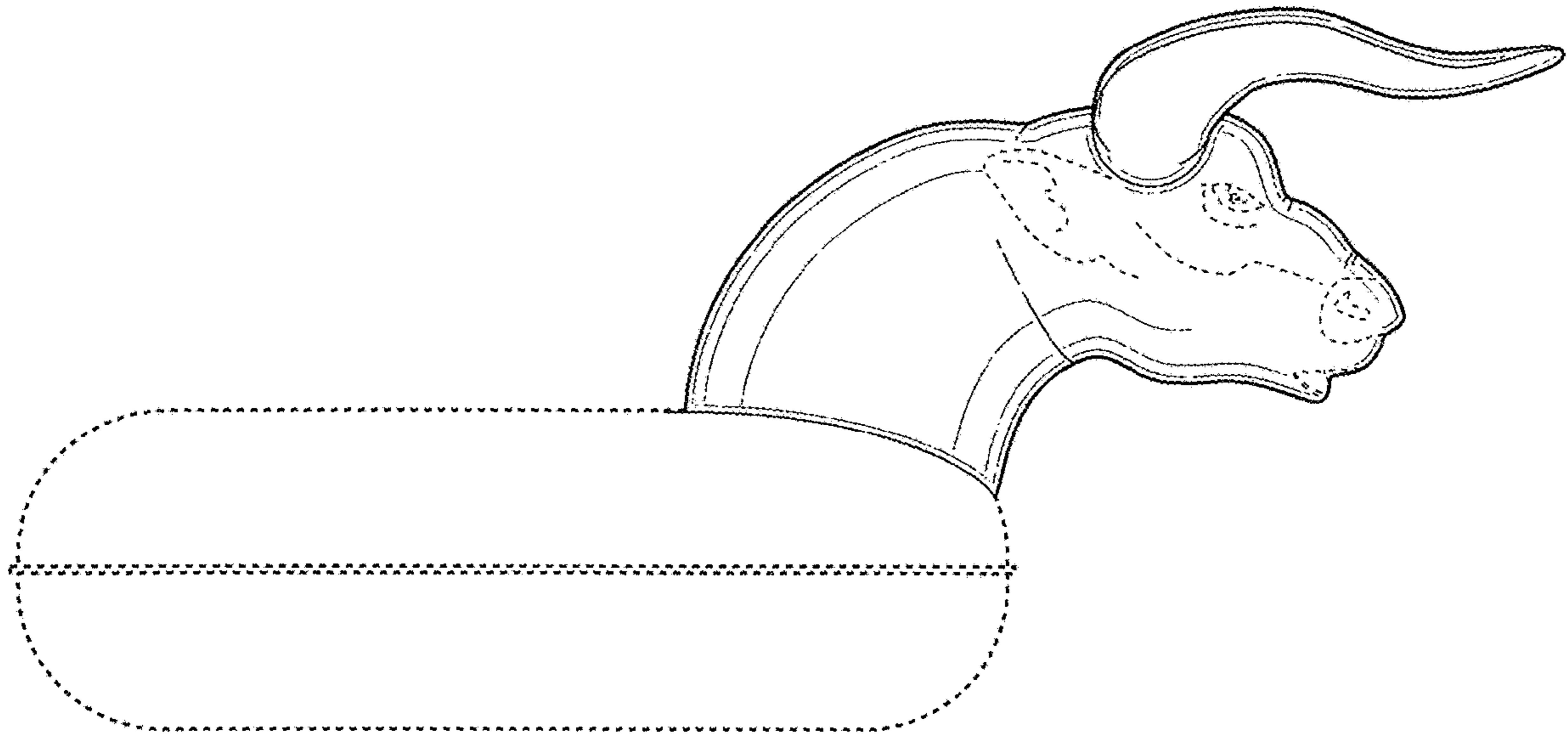


FIG. 5

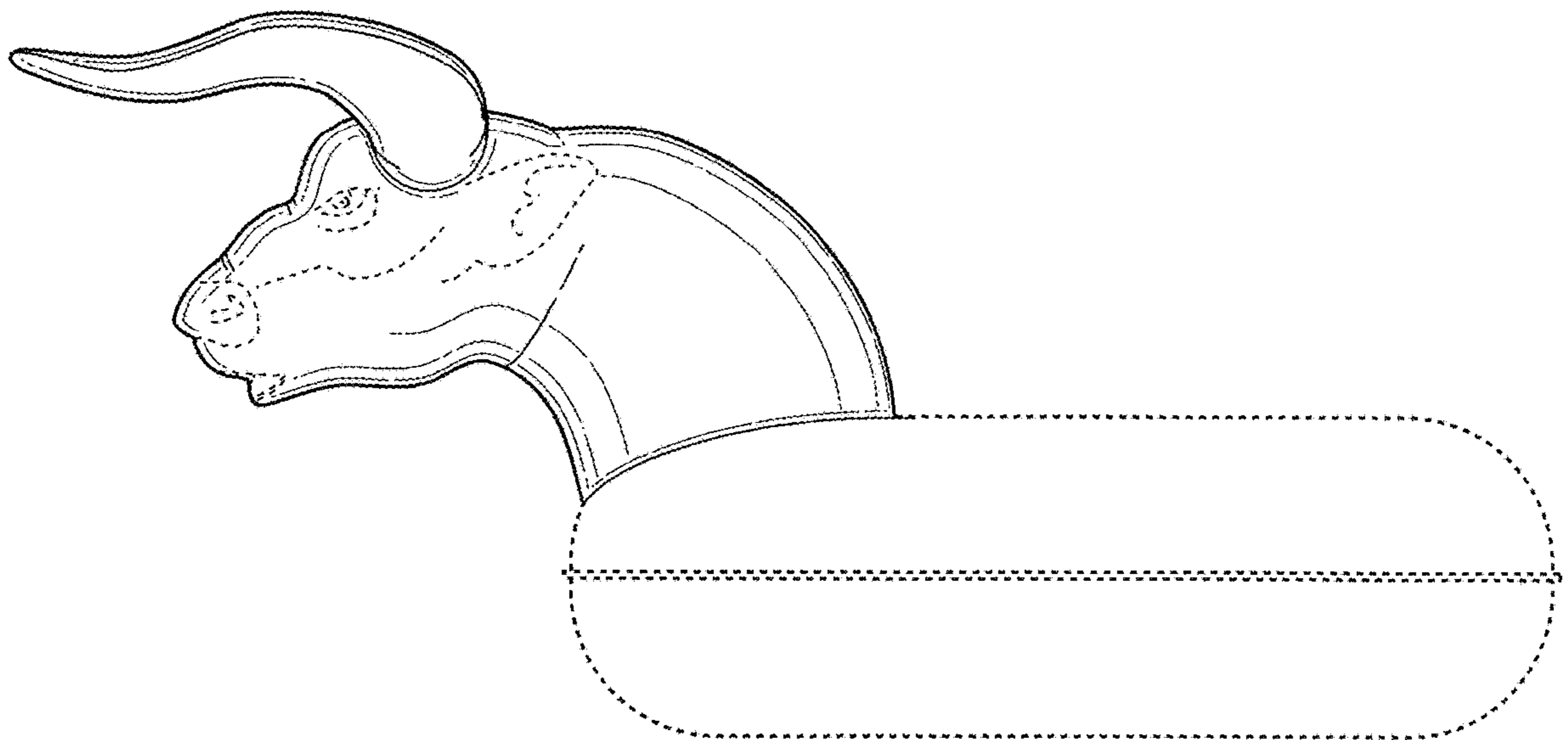


FIG. 6

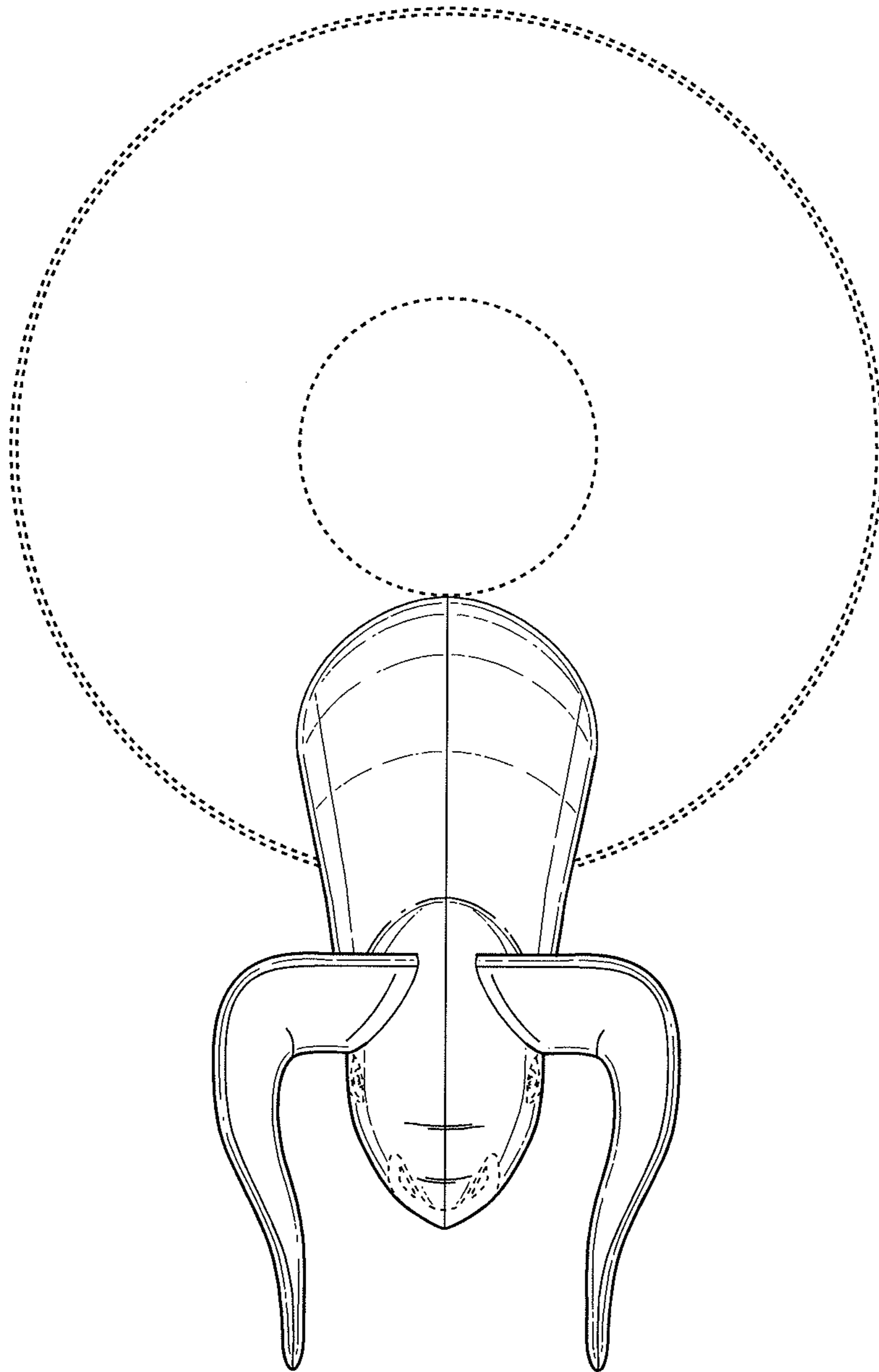


FIG. 7

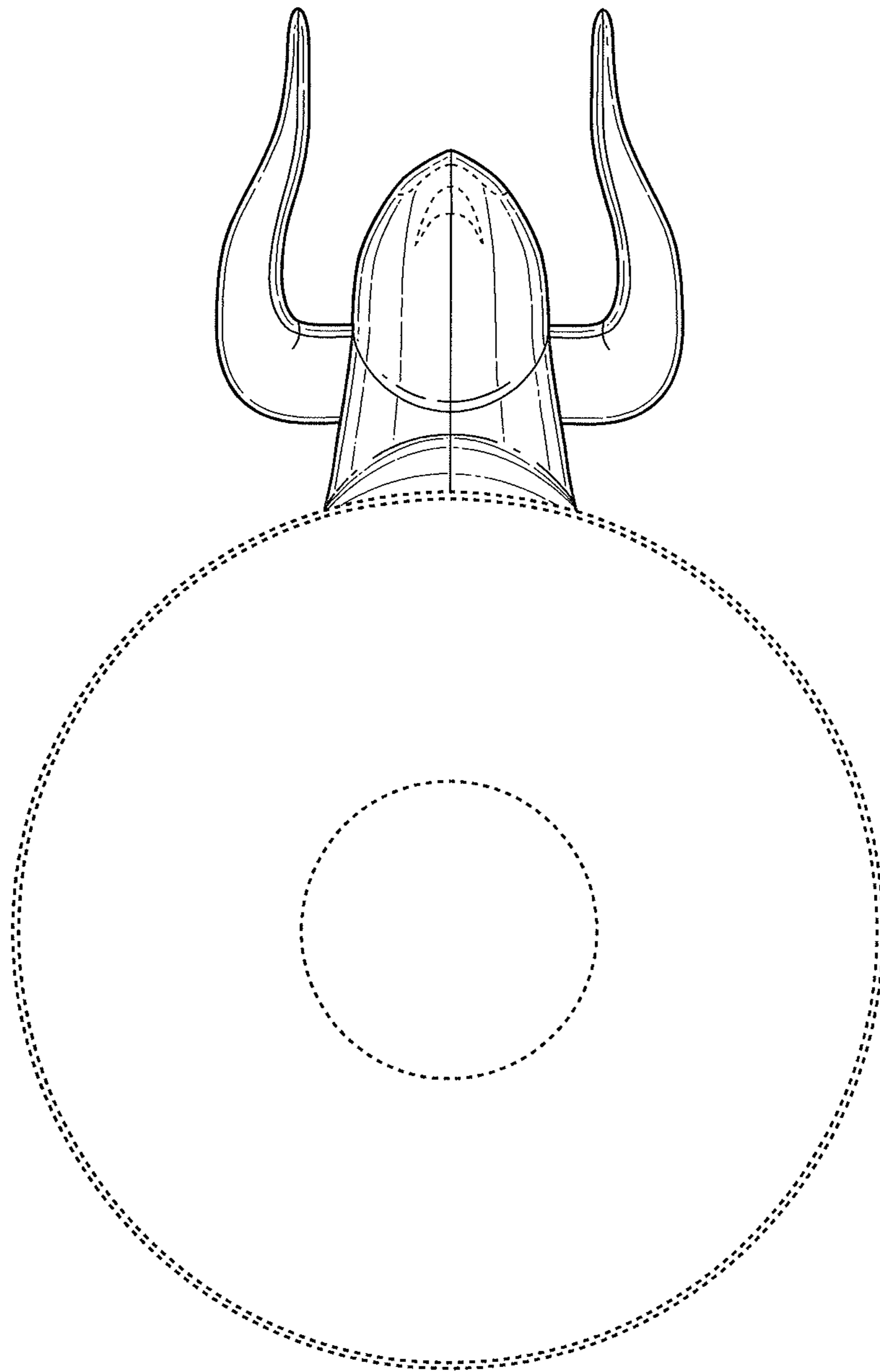


FIG. 8