



US00D868920S

(12) **United States Design Patent**
Hu

(10) **Patent No.:** **US D868,920 S**

(45) **Date of Patent:** **** Dec. 3, 2019**

(54) **SWIM FIN**

(71) Applicant: **Yusong Hu**, Dongguan (CN)

(72) Inventor: **Yusong Hu**, Dongguan (CN)

(**) Term: **15 Years**

(21) Appl. No.: **29/659,420**

(22) Filed: **Aug. 8, 2018**

(51) **LOC (12) Cl.** **21-02**

(52) **U.S. Cl.**
USPC **D21/806**

(58) **Field of Classification Search**
USPC D21/801, 803, 804, 806, 807
CPC A63B 31/00; A63B 31/02; A63B 31/08;
A63B 31/10; A63B 31/11
See application file for complete search history.

(56) **References Cited**

U.S. PATENT DOCUMENTS

D415,811 S * 10/1999 Chen D21/806
D454,934 S * 3/2002 Evans D21/806
D455,807 S * 4/2002 Evans D21/806

D534,983 S * 1/2007 Testa D21/806
D646,740 S * 10/2011 Portas D21/806
D685,050 S * 6/2013 O'Doherty D21/806
D796,615 S * 9/2017 Mix D21/806

* cited by examiner

Primary Examiner — Zenia I Bennett

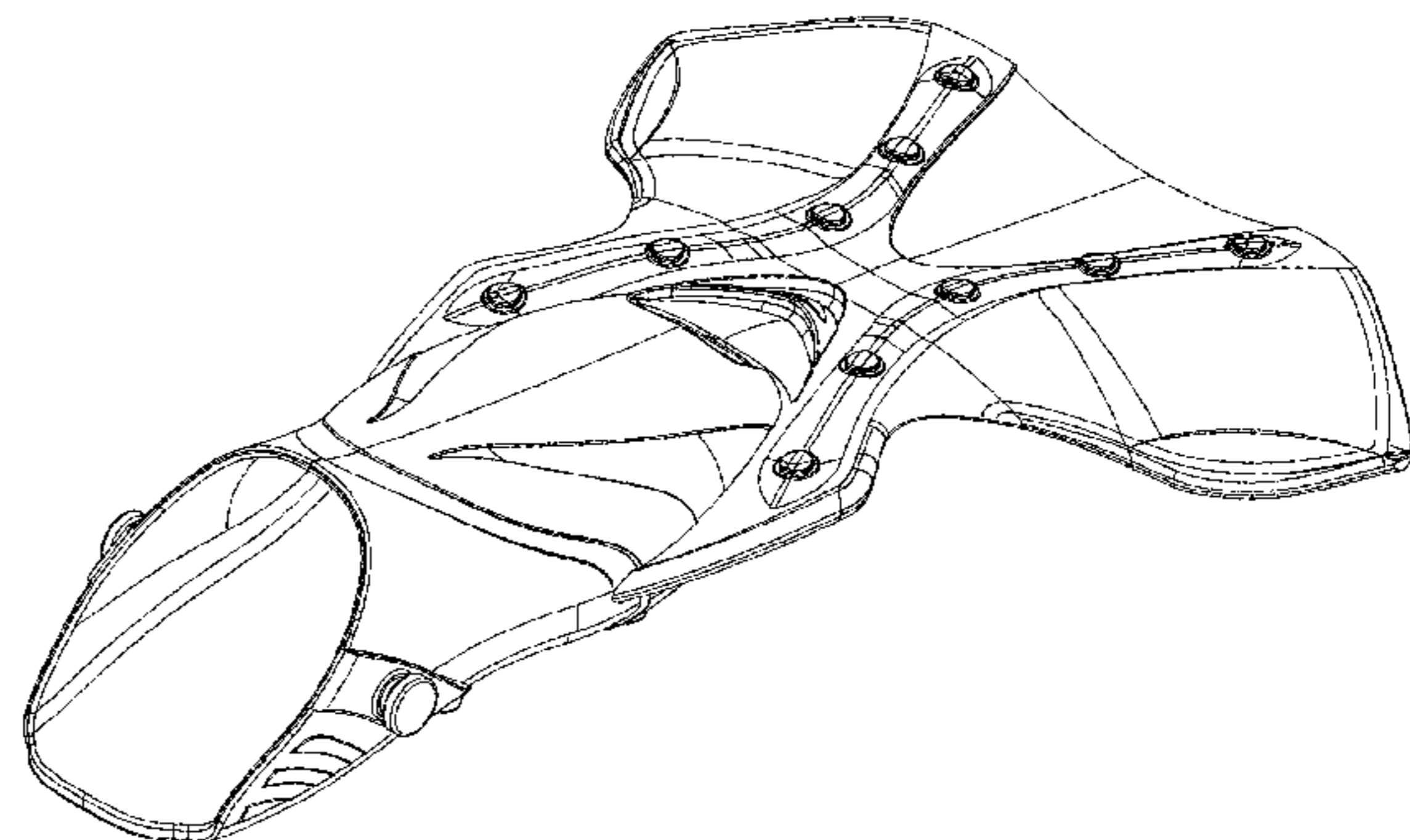
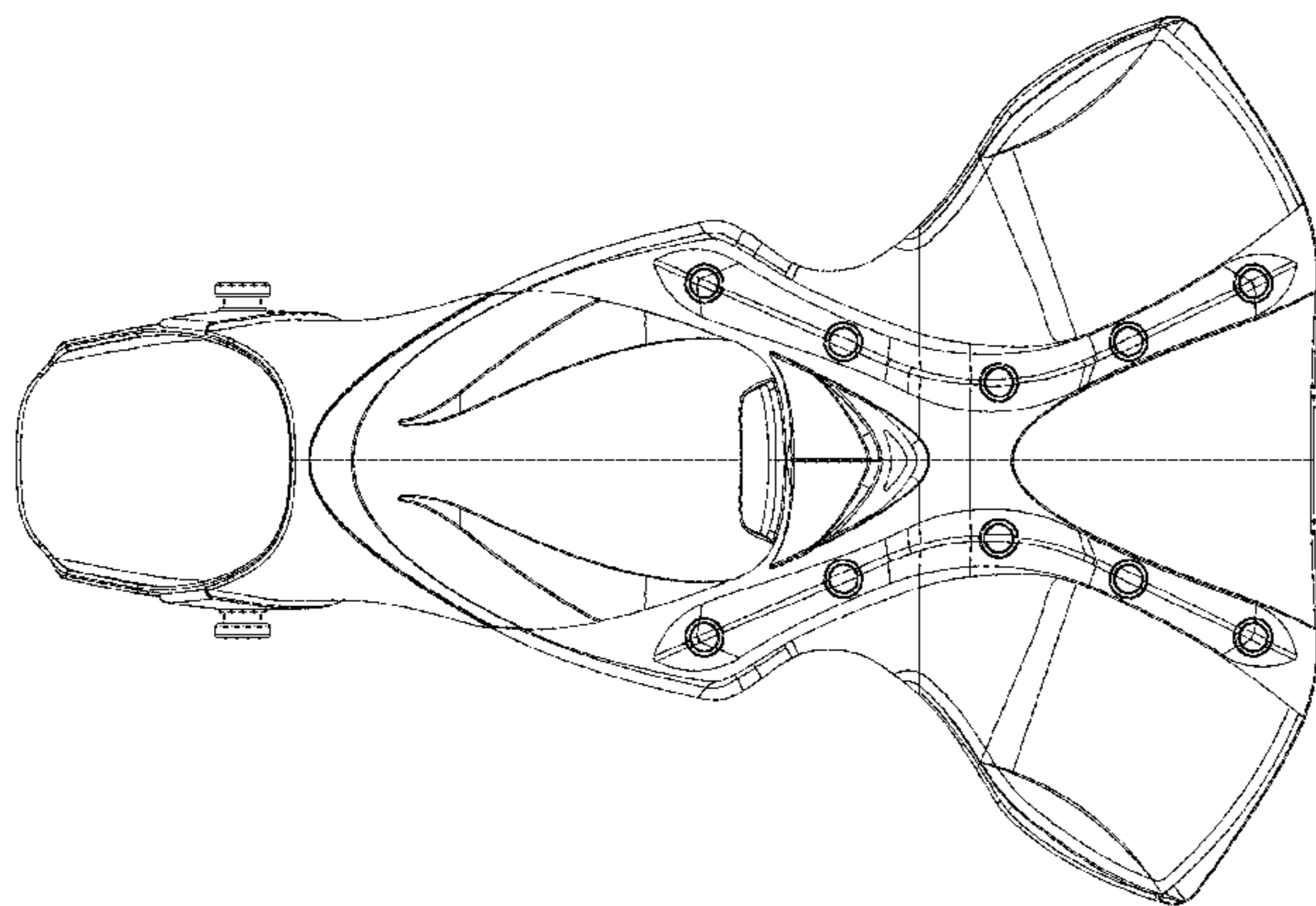
(57) **CLAIM**

The ornamental design for the swim fin, as shown and described.

DESCRIPTION

FIG. 1 is a top plan view of the swim fin showing my new design;
FIG. 2 is a bottom plan view thereof;
FIG. 3 is a front elevational view thereof;
FIG. 4 is a rear elevational view thereof;
FIG. 5 is a left side view thereof;
FIG. 6 is a right side view thereof;
FIG. 7 is a perspective view thereof; and,
FIG. 8 is another perspective view thereof.
The broken lines shown in FIG. 5 form no part of the claimed design.

1 Claim, 5 Drawing Sheets



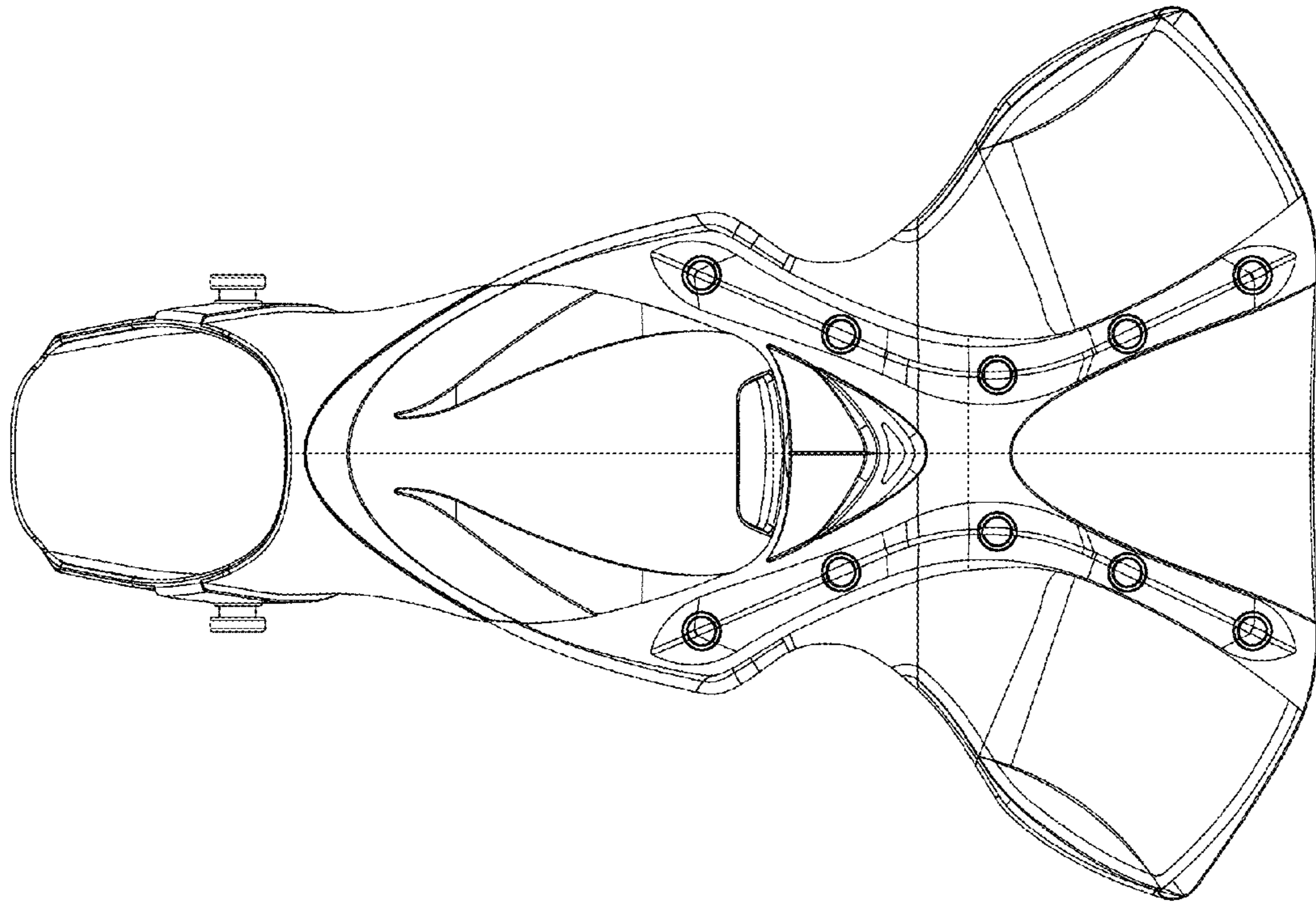


Fig. 1

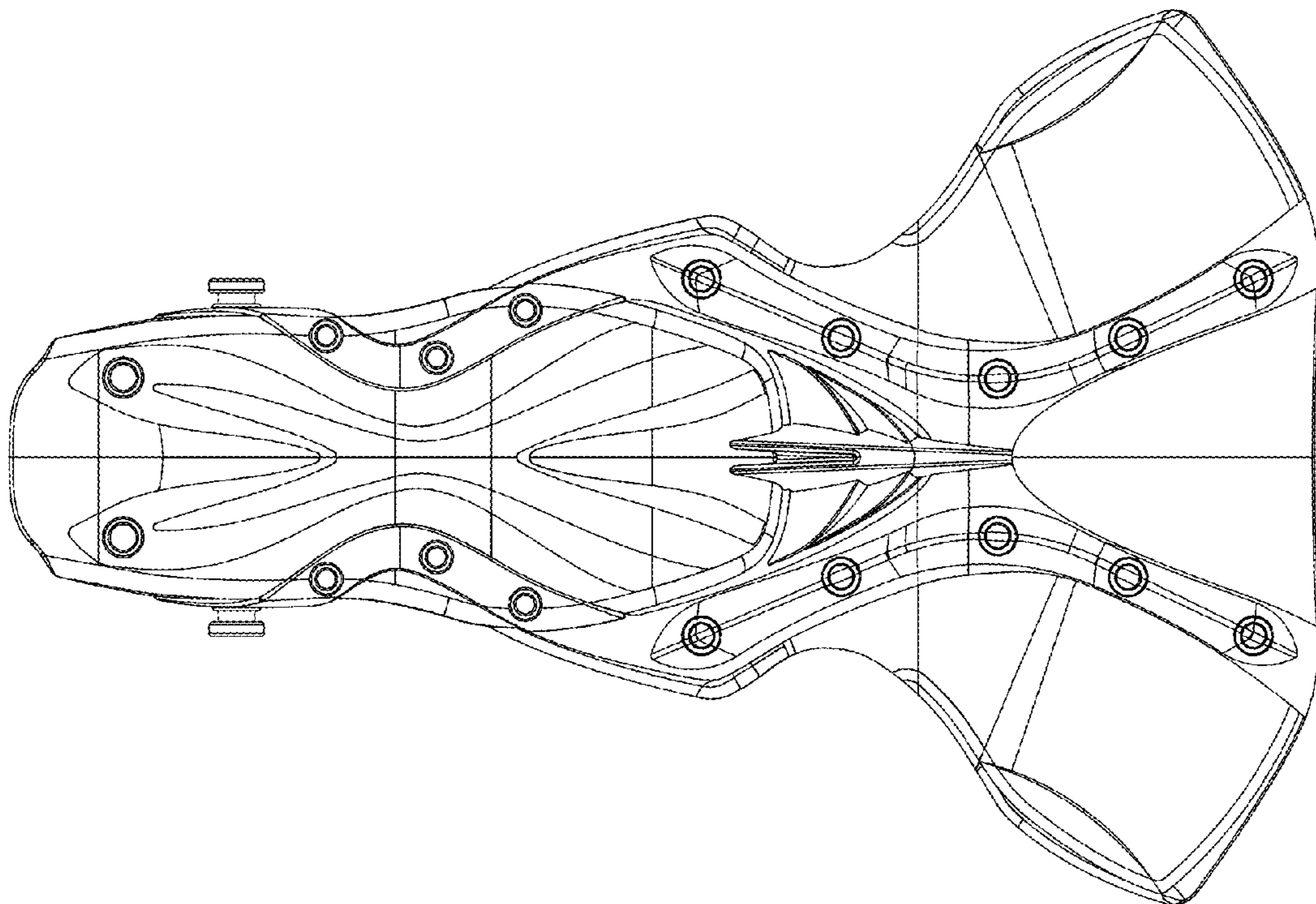


Fig. 2

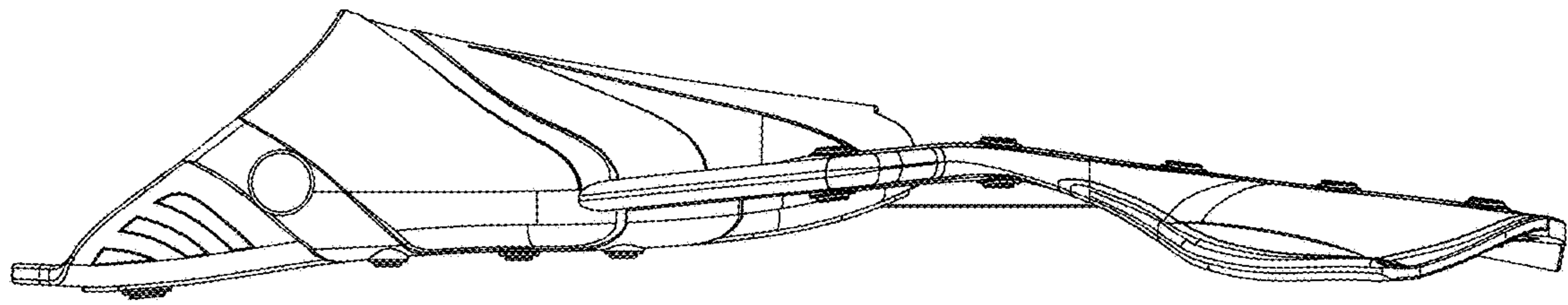


Fig. 3

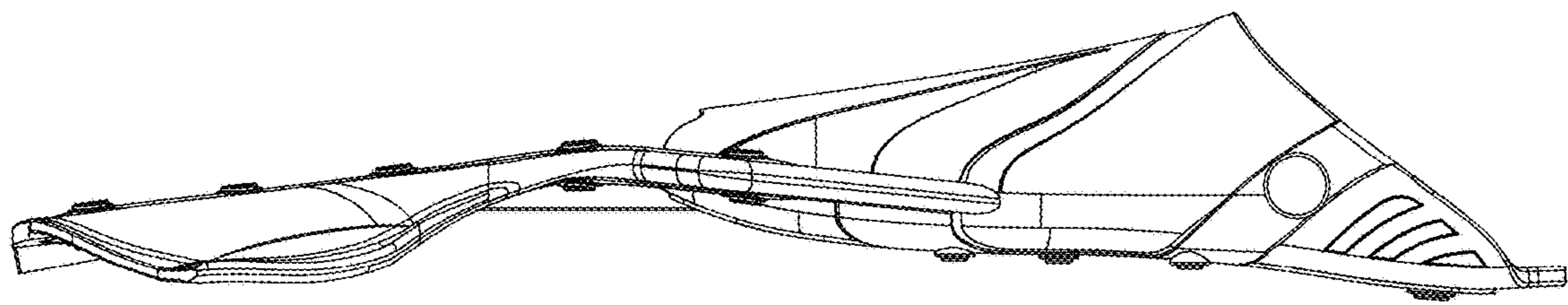


Fig. 4

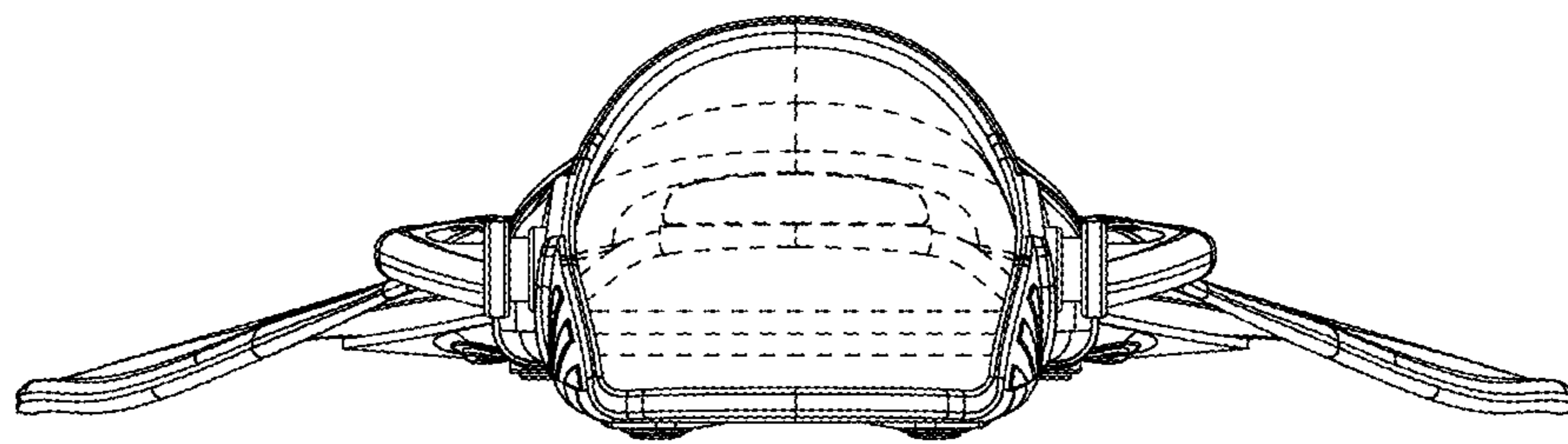


Fig. 5

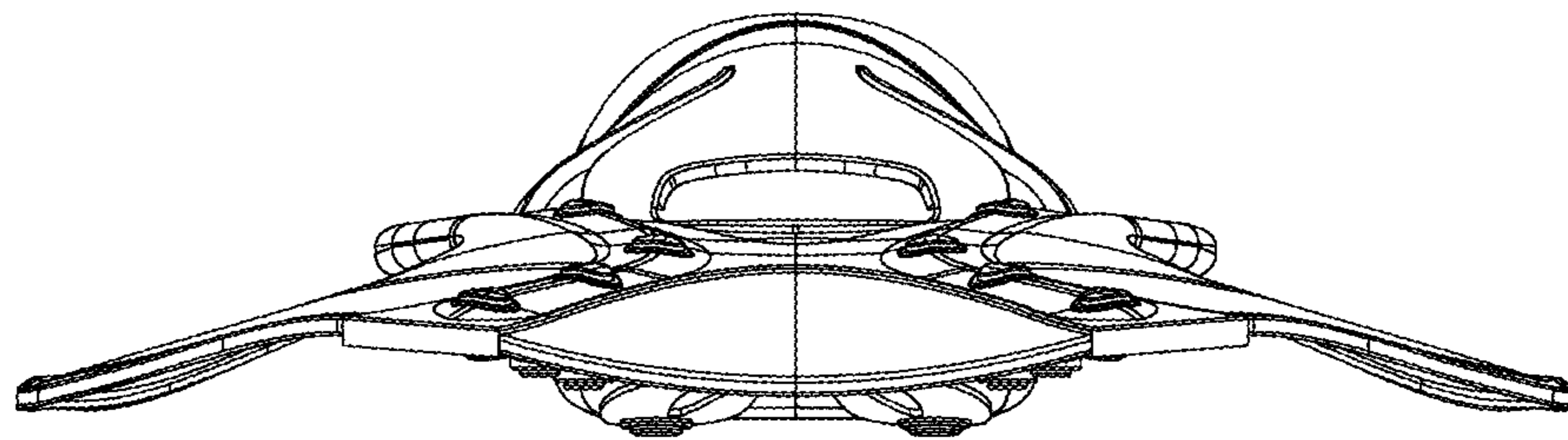


Fig. 6

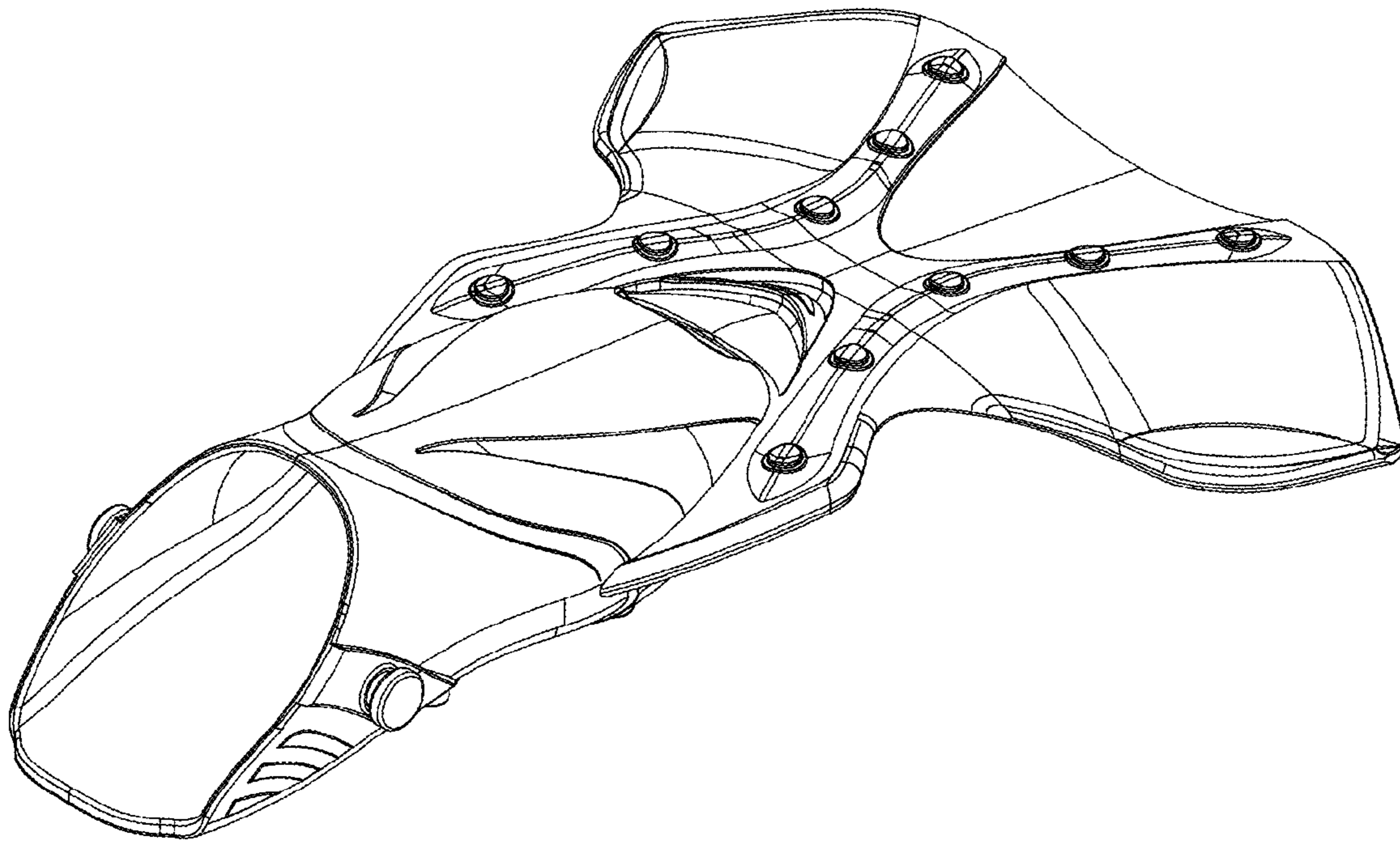


Fig. 7

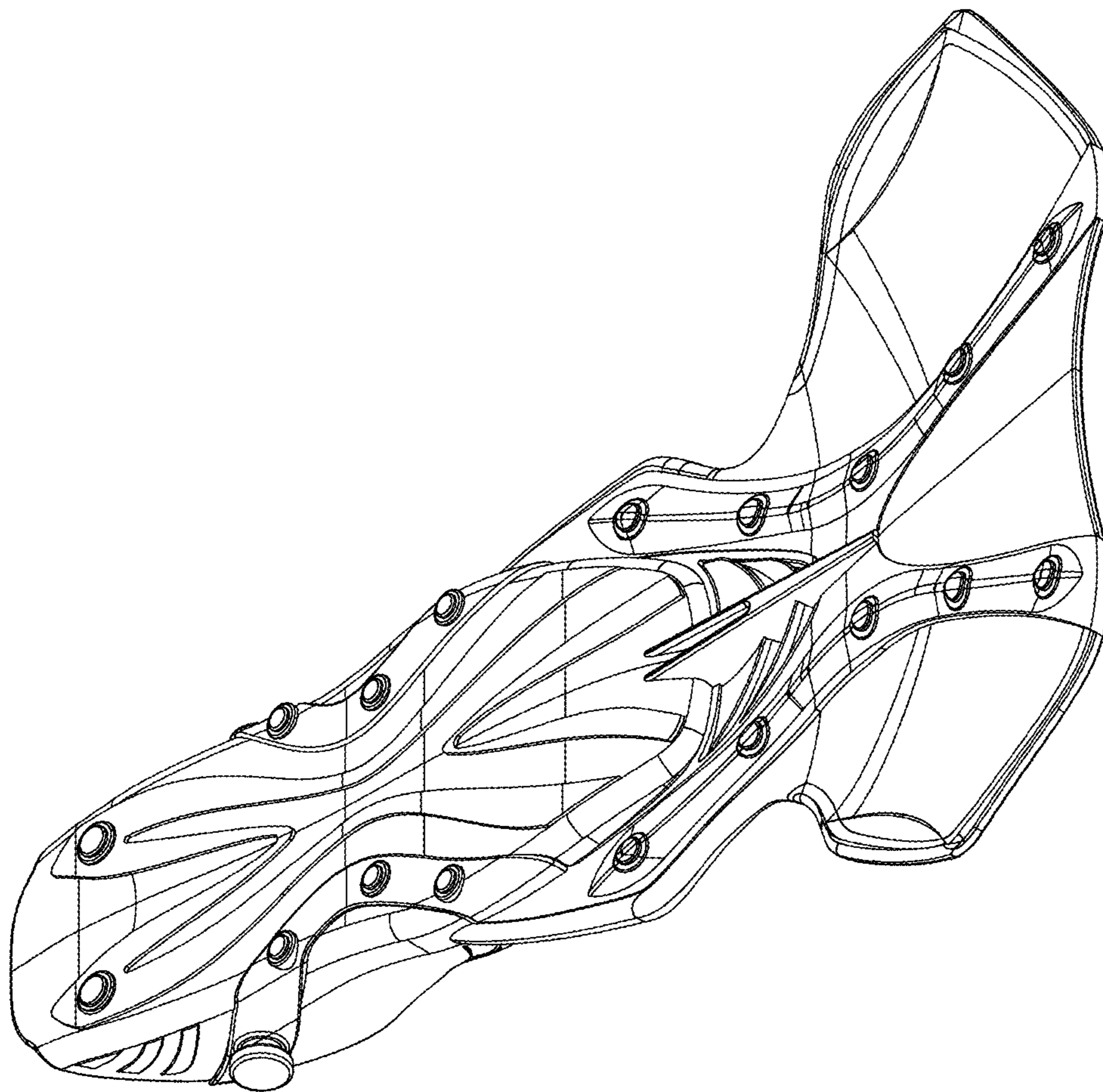


Fig. 8