

US00D868919S

(12) **United States Design Patent** (10) **Patent No.:** **US D868,919 S**  
**Huszár et al.** (45) **Date of Patent:** **\*\* Dec. 3, 2019**

(54) **TEQBALL TABLE**  
(71) Applicant: **TEQBALL HOLDING S.A.R.L.**,  
Luxembourg (LU)  
(72) Inventors: **Viktor Huszár**, Luxembourg (LU);  
**Gábor Borsányi**, Luxembourg (LU)

7,500,671 B2 3/2009 Narus et al.  
8,007,378 B2 8/2011 Vallon et al.  
8,182,374 B1 5/2012 Copeland  
9,421,428 B1 8/2016 Dobush  
9,675,860 B2\* 6/2017 Borsanyi ..... A63B 61/003  
9,711,061 B2\* 7/2017 Chun ..... G09B 19/0038

(\*\*) Term: **15 Years**  
(21) Appl. No.: **29/629,967**  
(22) Filed: **Dec. 18, 2017**

**Related U.S. Application Data**

(62) Division of application No. 35/500,971, filed on Dec. 7, 2015 (U.S. filing date under 35 U.S.C. 384), and having an international filing date of Dec. 7, 2015, now Pat. No. Des. 823,965.

**Foreign Application Priority Data**

(30) Oct. 13, 2015 (EM) ..... 002819912  
Oct. 13, 2015 (EM) ..... 002820738  
(51) **LOC (12) Cl.** ..... **21-01**  
(52) **U.S. Cl.**  
USPC ..... **D21/799.2**  
(58) **Field of Classification Search**  
USPC ..... D21/799.2  
CPC ..... G09B 19/0038; A63B 61/003  
See application file for complete search history.

**References Cited**

**U.S. PATENT DOCUMENTS**

3,992,006 A 11/1976 Barlow  
4,119,838 A 10/1978 Genuit  
5,398,926 A 3/1995 Skinner

**OTHER PUBLICATIONS**

Teqball: It's Soccer And Ping Pong In One Cool Package, Jun. 24, 2014. <<www.instash.com/teqball-its-soccer-and- <http://www.instash.com/teqball-its-soccer-and-ping-pong-in-one-cool-package/>>.  
"Teqball Reinvents the Game of Football with new Equipment that Objectively Measures Players' Skill Levels; Pre-orders Available Through Kickstarter Campaign," Jun. 23, 2014 <<http://www.pnewswire.com/news-releases/teqball-reinvents-the-game-of-football-with-new-equipment-that-objectively-measures-players-skill-levels-pre-orde>>.  
"Teqball—An Awesome Combination of Football and Table Tennis," Jul. 9, 2014 <<http://www.odditycentral.com/news/teqball-an-awesome-combination-of-football-and-table-tennis.html>>.

\* cited by examiner

*Primary Examiner* — George D. Kirschbaum  
(74) *Attorney, Agent, or Firm* — Fox Rothschild LLP

**CLAIM**

(57) The ornamental design for a teqball table, as shown and described.

**DESCRIPTION**

FIG. 1 is a perspective view of a teqball table according to the new design;  
FIG. 2 is front view thereof;  
FIG. 3 is a side view thereof;  
FIG. 4 is a bottom view thereof; and,  
FIG. 5 is a top plan view thereof.

**1 Claim, 5 Drawing Sheets**

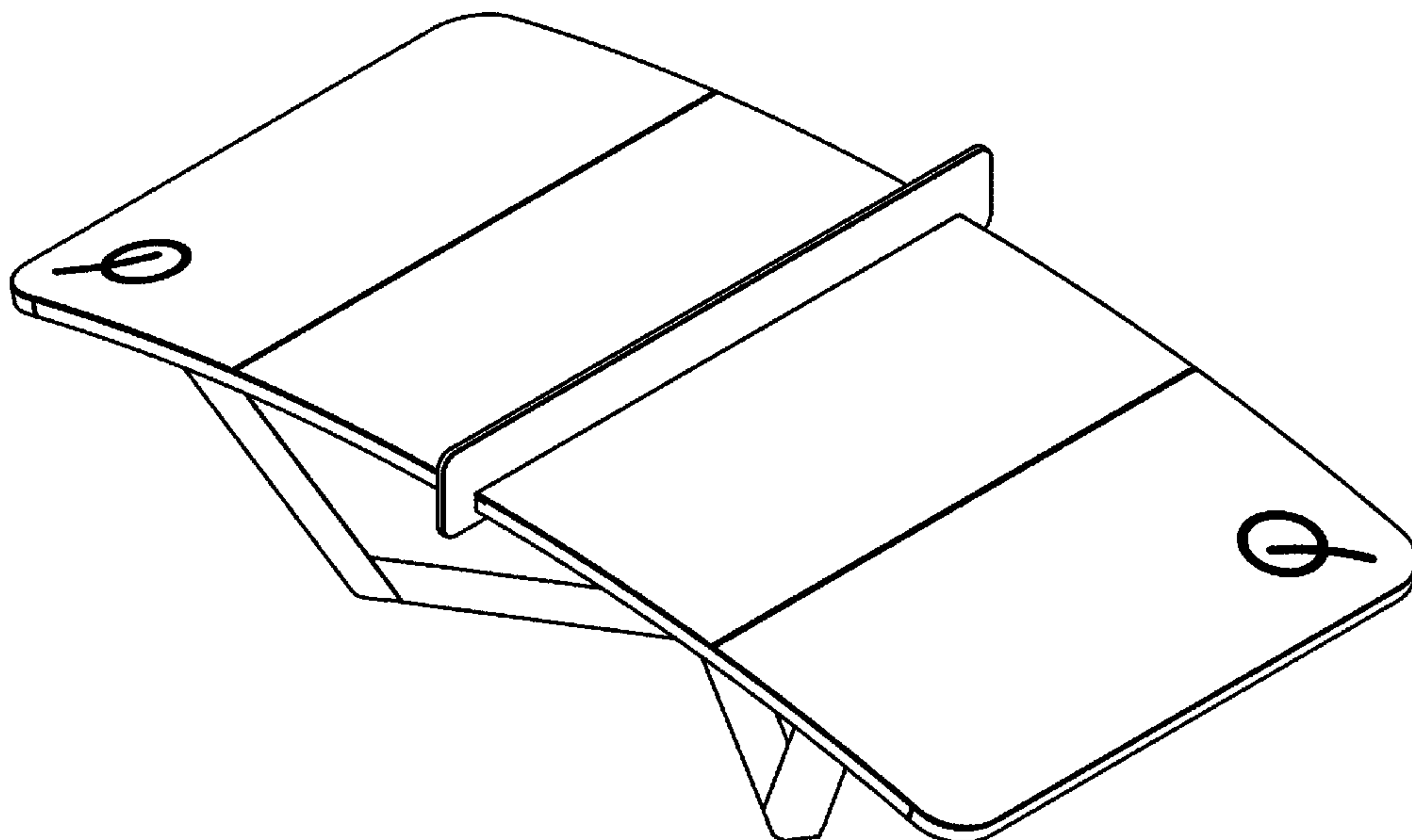


Figure 1

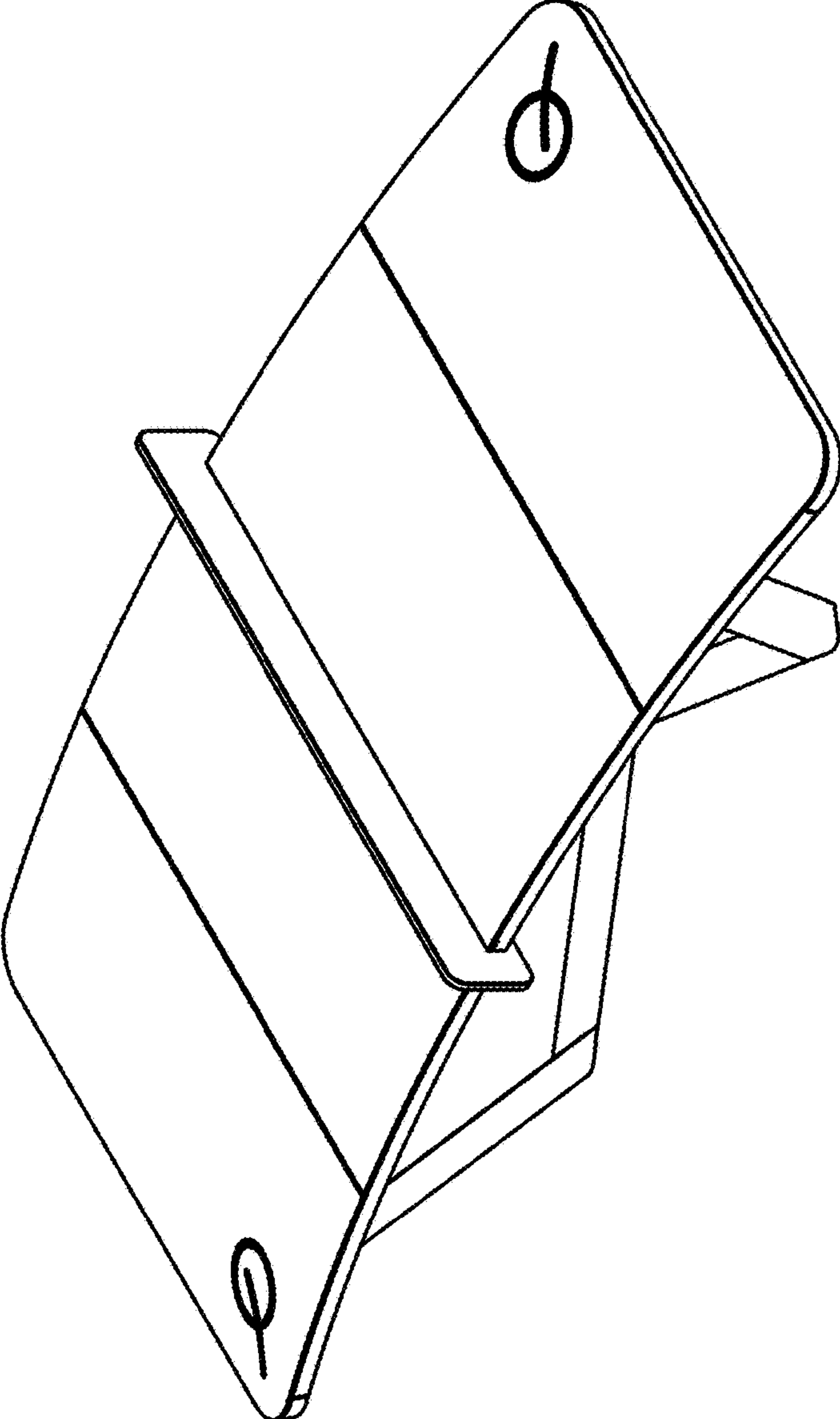


Figure 2

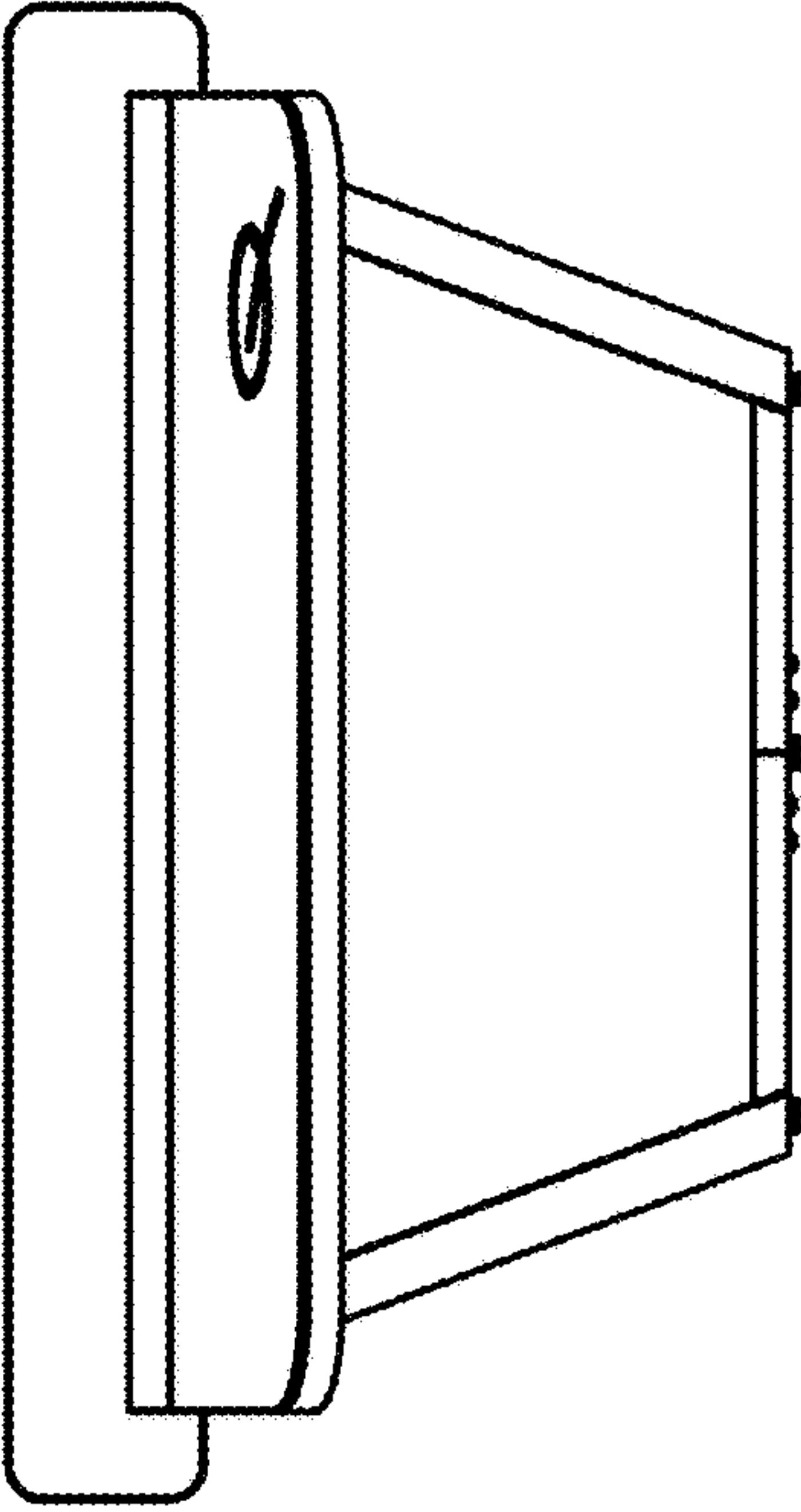


Figure 3

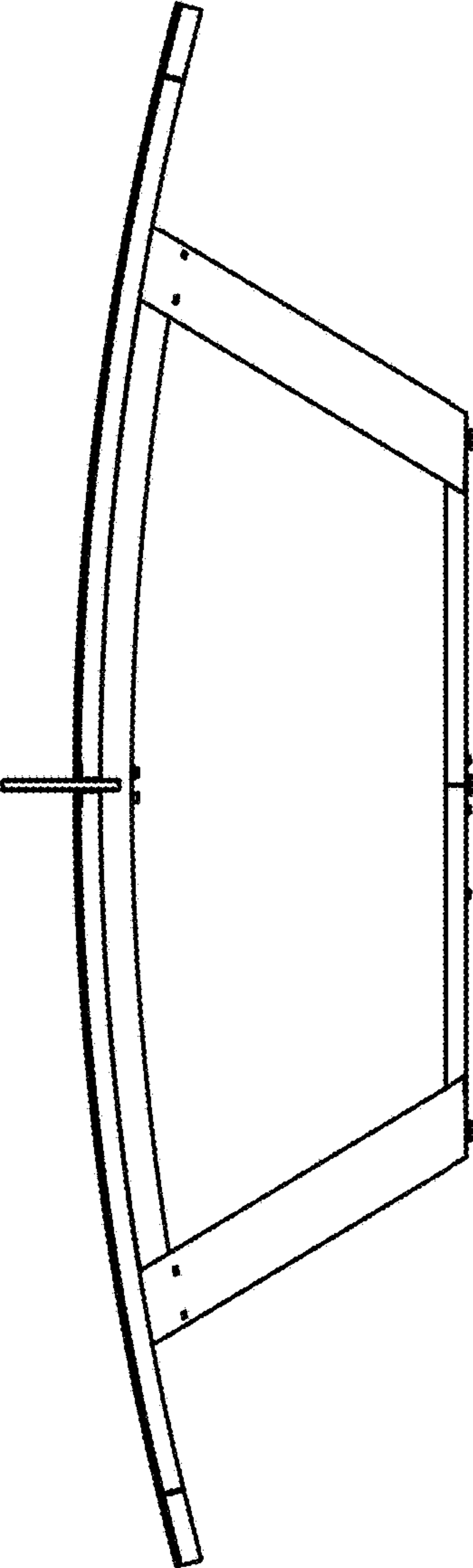


Figure 4

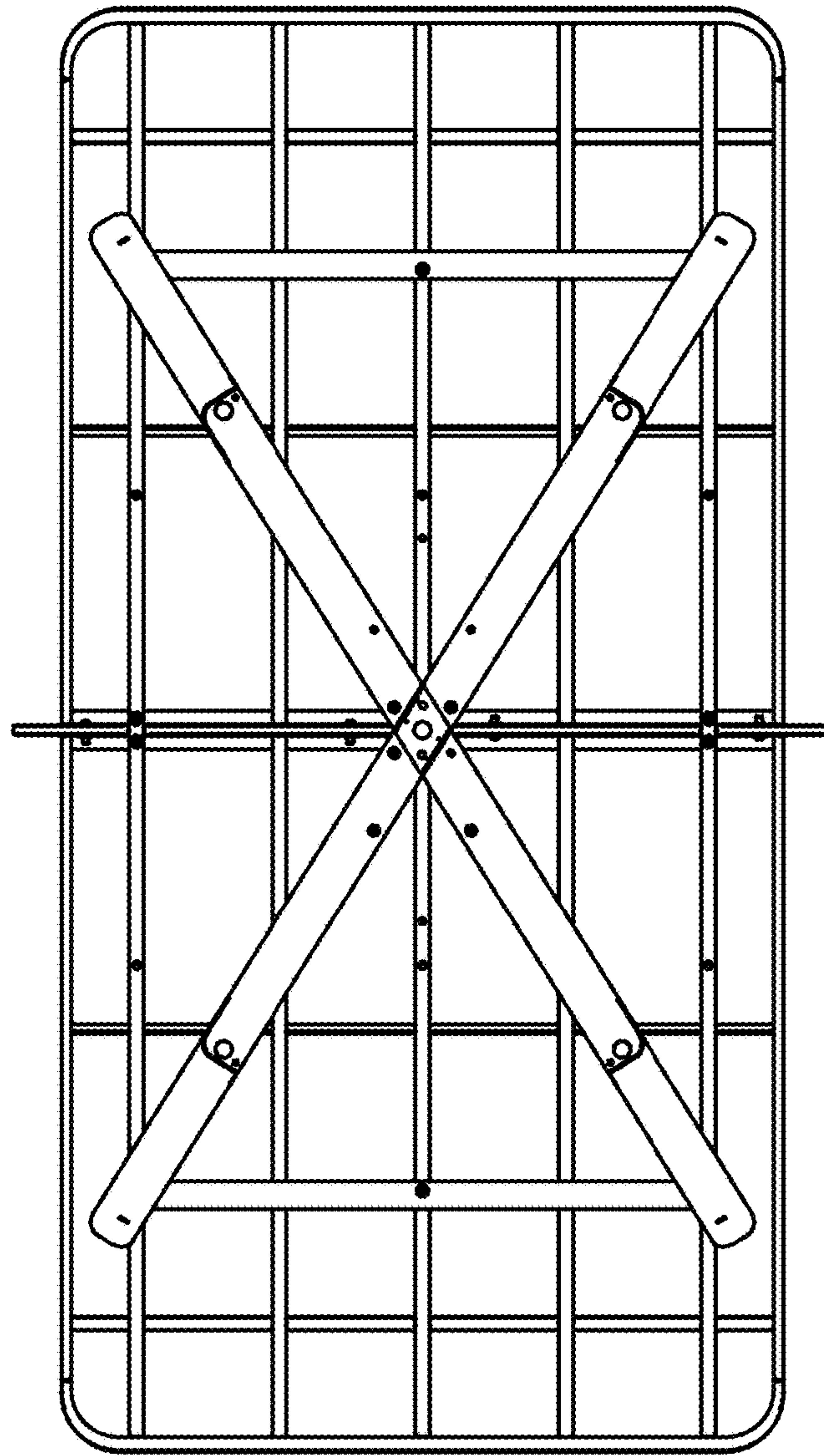


Figure 5

