



US00D868918S

(12) **United States Design Patent**
Oyler et al.

(10) **Patent No.:** **US D868,918 S**
(45) **Date of Patent:** **** Dec. 3, 2019**

(54) **ARM POSITIONING AID FOR GOLF SWING TRAINING**

(71) Applicant: **Golf Tailor, LLC**, Edmond, OK (US)

(72) Inventors: **Tim Oyler**, Edmond, OK (US); **Joshua Michael Boggs**, Aledo, TX (US)

(73) Assignee: **Golf Tailor, LLC**, Edmond, OK (US)

(**) Term: **15 Years**

(21) Appl. No.: **29/662,179**

(22) Filed: **Sep. 4, 2018**

(51) **LOC (12) Cl.** **21-02**

(52) **U.S. Cl.**
USPC **D21/791**

(58) **Field of Classification Search**
USPC D21/789, 791
CPC A63B 69/00; A63B 69/0059; A63B 69/36;
A63B 69/3667; A63B 69/3691; A63B
69/3641; A63B 69/3608; A63B 69/3658;
A63B 69/3661
See application file for complete search history.

(56) **References Cited**

U.S. PATENT DOCUMENTS

1,655,092	A *	1/1928	Davis	A63B 69/0059	473/212
2,450,162	A *	9/1948	Promen	A63B 69/0059	473/212
3,324,851	A *	6/1967	Posner	A61F 5/3723	128/878
3,679,214	A *	7/1972	Boyte	A63B 69/0059	473/212
3,970,316	A *	7/1976	Westmoreland, Jr.	A63B 69/0059	473/212
4,359,221	A *	11/1982	Taylor	A63B 69/0046	473/212

4,691,924	A *	9/1987	Strong	A63B 69/0059	273/DIG. 30
4,892,317	A *	1/1990	Corder, Jr.	A63B 69/0059	473/212
5,096,199	A *	3/1992	Wyatt, Jr.	A63B 21/00069	473/212
5,154,416	A *	10/1992	Smull	A63B 69/0059	473/458
5,203,567	A	4/1993	Erlinger et al.			
5,295,690	A *	3/1994	Johnson	A63B 69/0059	434/252

(Continued)

Primary Examiner — Mitchell I. Siegel

(74) *Attorney, Agent, or Firm* — Caesar Rivise, PC

(57) **CLAIM**

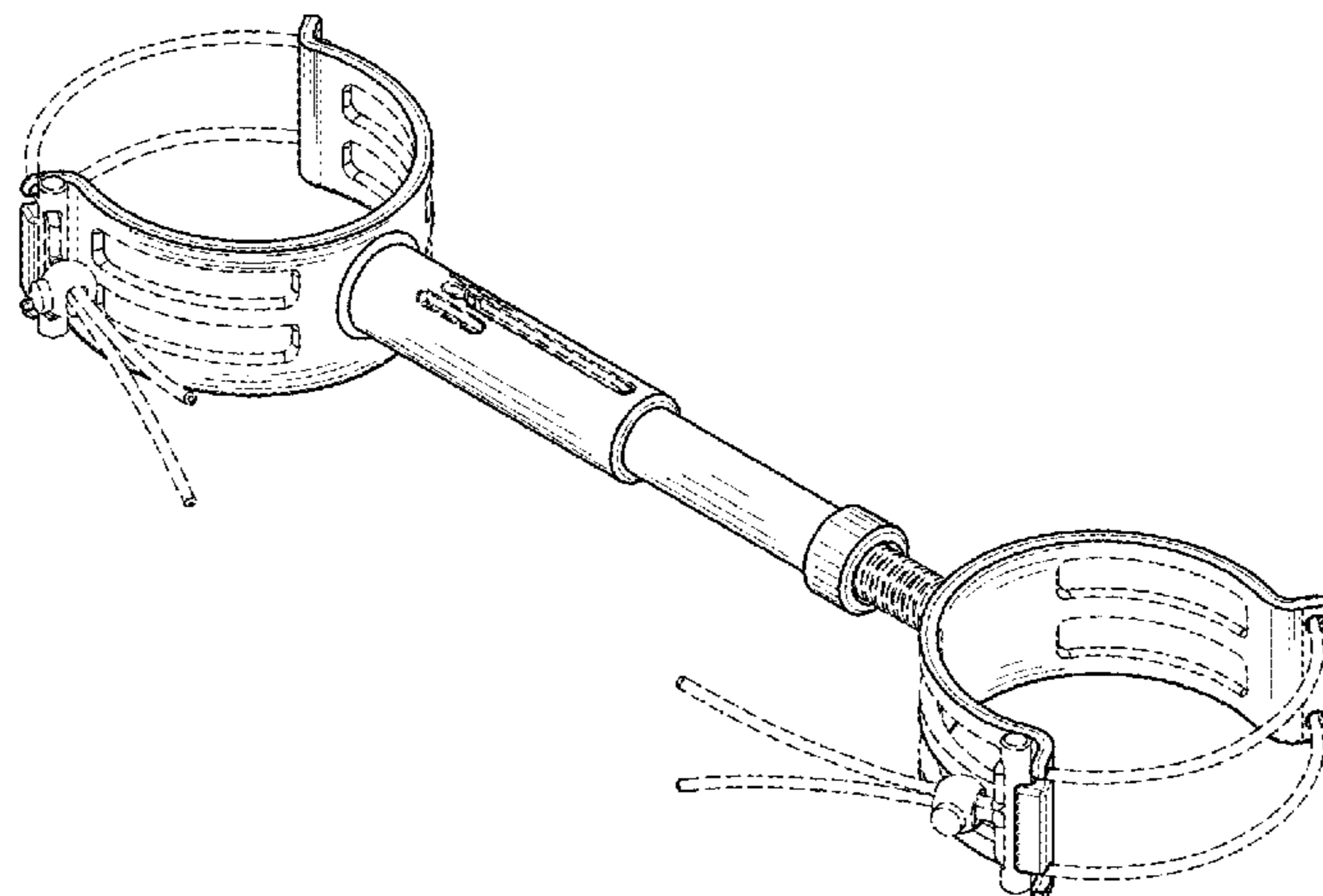
The ornamental design for the arm positioning aid for golf swing training, as shown and described.

DESCRIPTION

FIG. 1 is a top isometric view of an arm positioning aid for golf swing training showing our new design;
 FIG. 2 is a top plan view of the arm positioning aid for golf swing training of FIG. 1;
 FIG. 3 is a bottom plan view of the arm positioning aid for golf swing training of FIG. 1;
 FIG. 4 is a right side elevation view of the arm positioning aid for golf swing training of FIG. 1;
 FIG. 5 is a left side elevation view of the arm positioning aid for golf swing training of FIG. 1;
 FIG. 6 is a front elevation view of the arm positioning aid for golf swing training of FIG. 1;
 FIG. 7 is a rear elevation view of the arm positioning aid for golf swing training of FIG. 1; and,
 FIG. 8 is a cross-sectional view of the arm positioning aid for golf swing training of FIG. 1, taken substantially along lines 8-8 of FIG. 3.

The features shown in broken lines in the drawing depict portions of the design that form no part of the claimed design.

1 Claim, 4 Drawing Sheets



(56)

References Cited

U.S. PATENT DOCUMENTS

5,397,122 A * 3/1995 Herridge, II A63B 21/0004
473/212
5,476,257 A * 12/1995 Bobby A63B 69/0059
473/464
D372,064 S * 7/1996 del Barrio D21/791
5,665,015 A * 9/1997 Clark, III A63B 69/0059
473/213
5,938,548 A * 8/1999 Upshaw A63B 21/0004
473/453
5,951,408 A * 9/1999 Inman A63B 69/0059
273/DIG. 30
6,254,561 B1 7/2001 Borden
6,767,290 B1 * 7/2004 Tan A63B 69/0059
473/207
D638,899 S * 5/2011 Quinlan D21/791
D654,131 S * 2/2012 Crabtree D21/791
D719,629 S * 12/2014 Beukes D21/791
D782,589 S * 3/2017 Burdick D21/756
D810,220 S * 2/2018 Ahn D21/791
2009/0197692 A1 * 8/2009 Eck A63B 69/3608
473/212

* cited by examiner

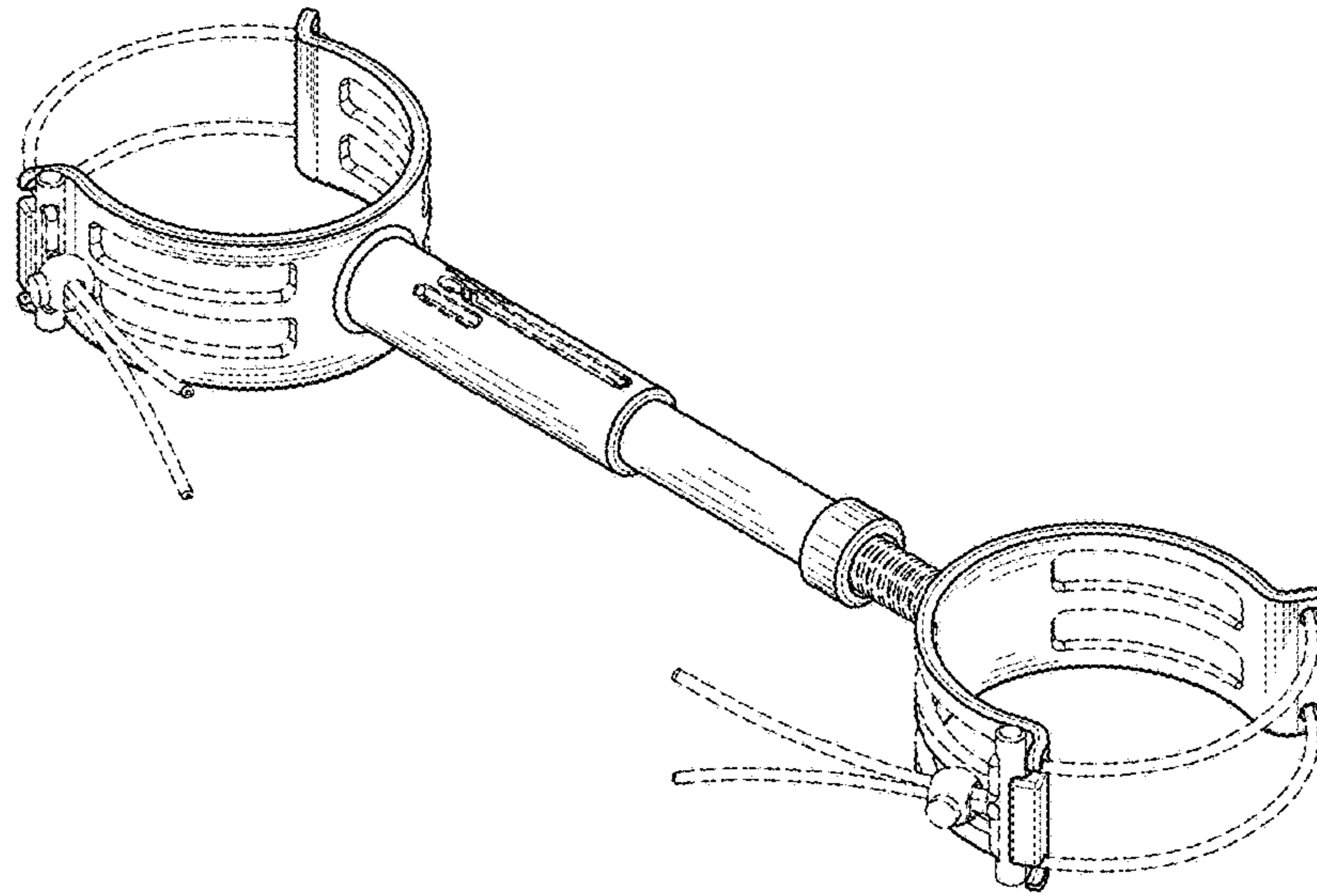


FIG. 1

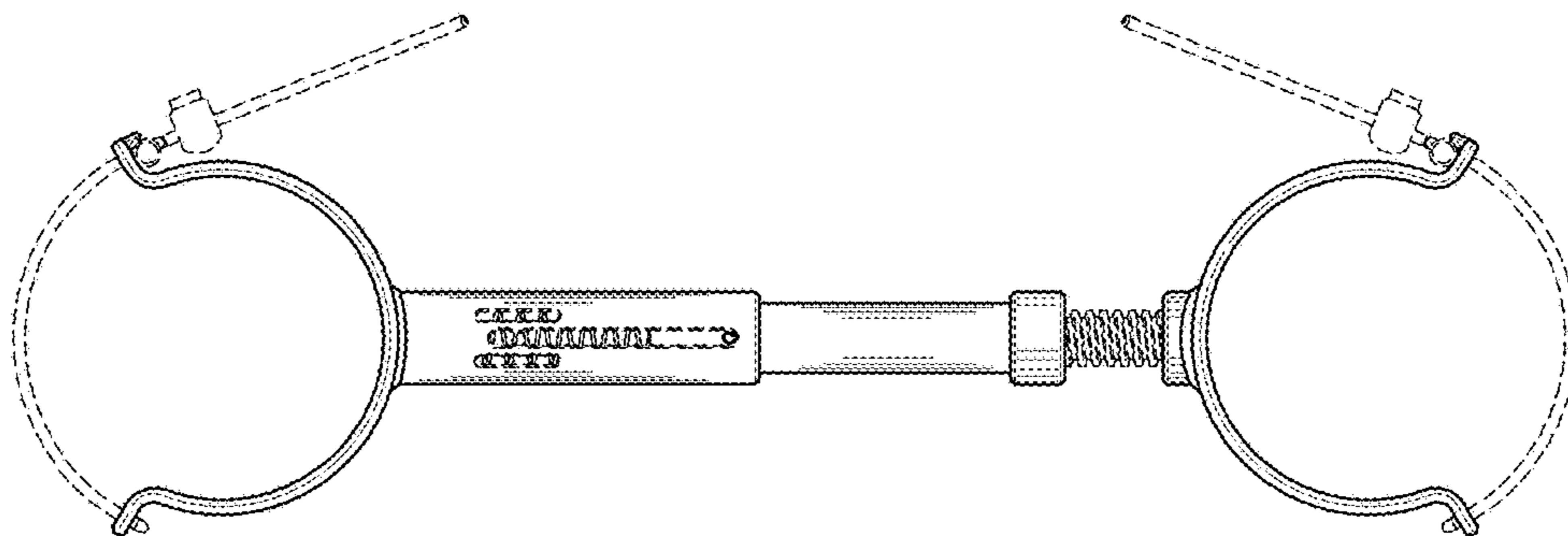


FIG. 2

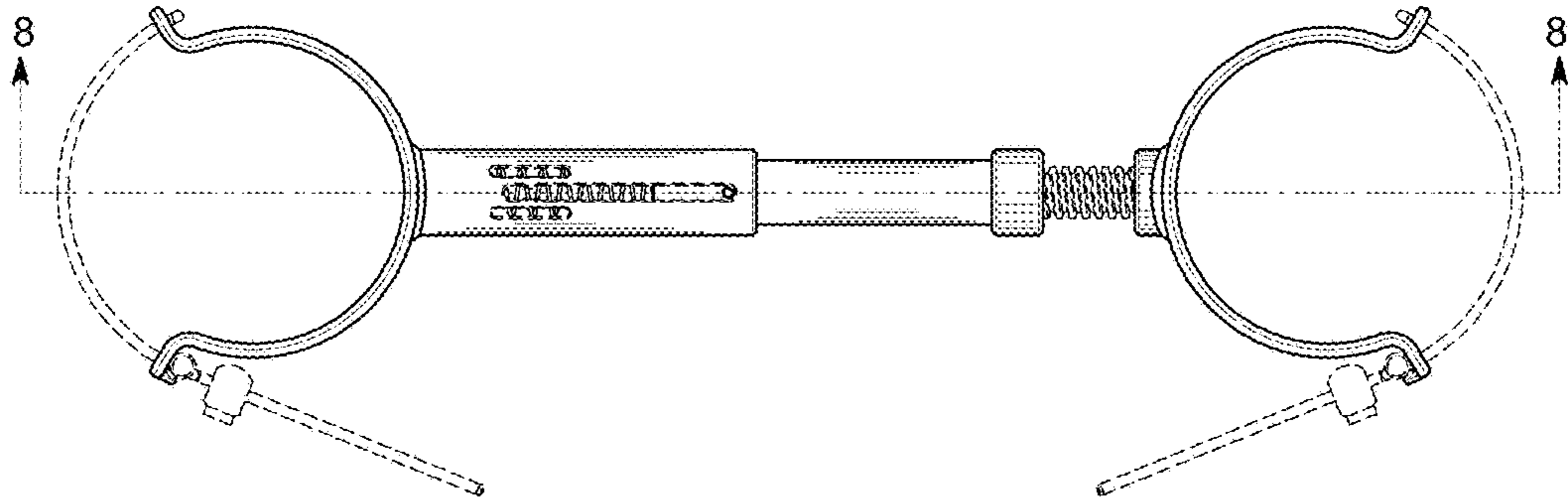


FIG. 3

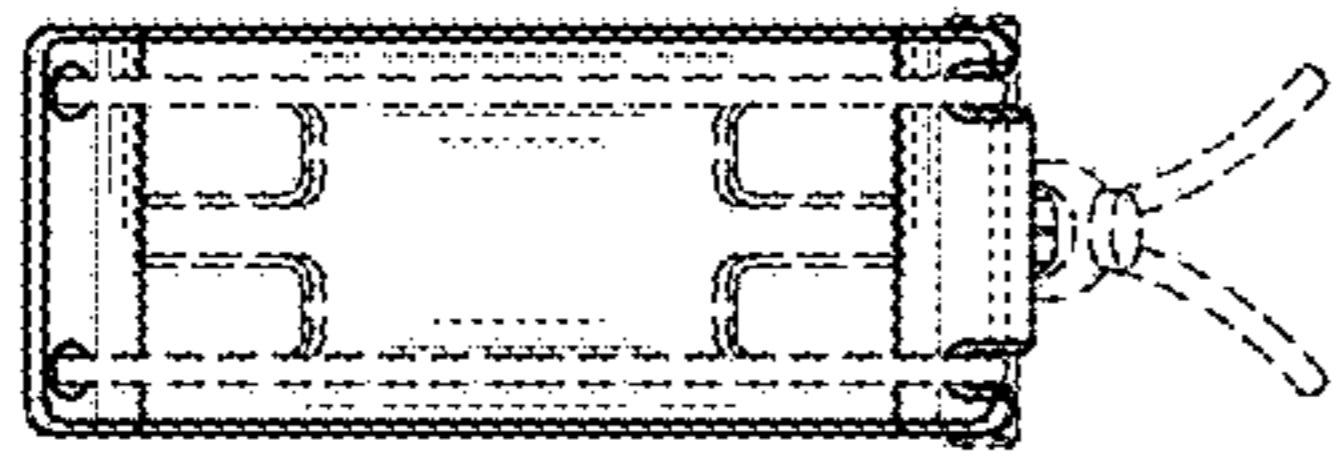


FIG. 4

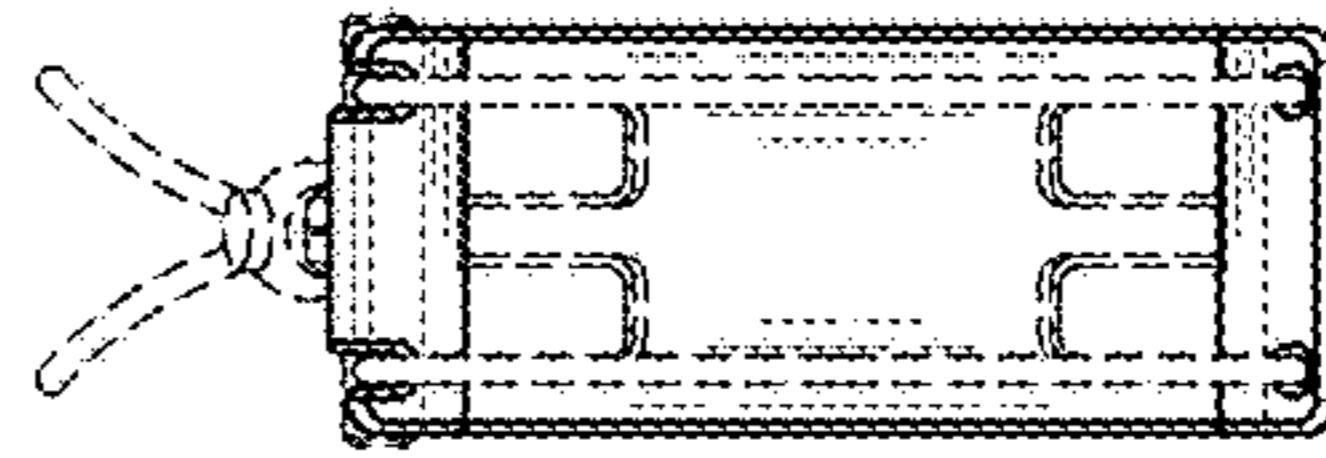


FIG. 5

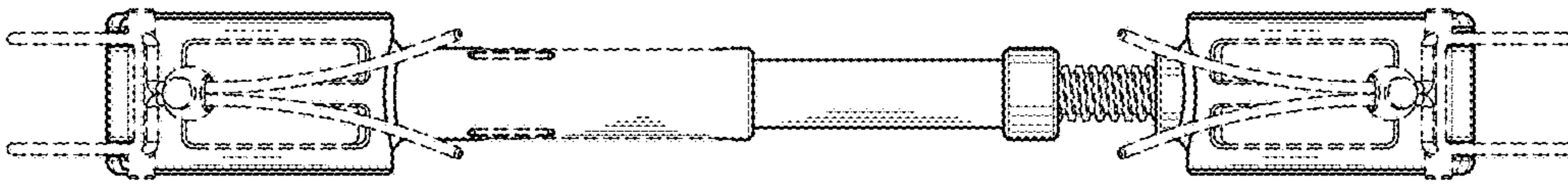


FIG. 6

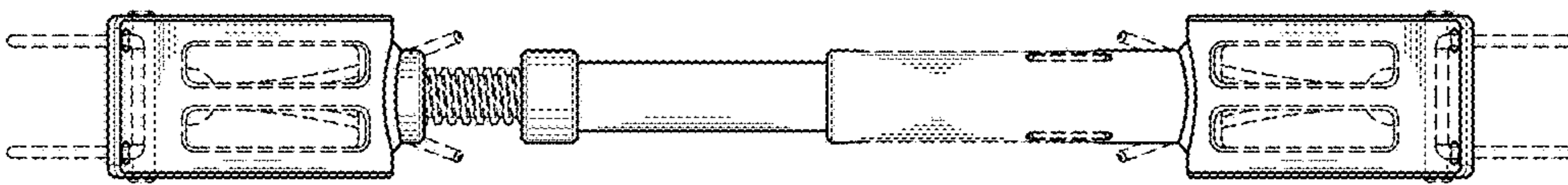


FIG. 7

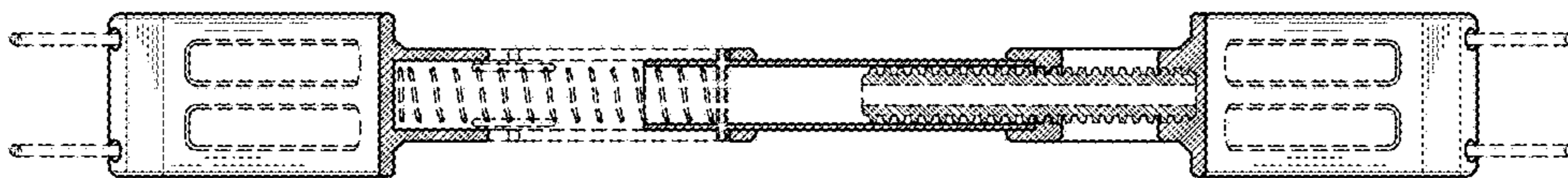


FIG. 8