



US00D868917S

(12) **United States Design Patent**
Engler et al.

(10) **Patent No.:** **US D868,917 S**

(45) **Date of Patent:** **** Dec. 3, 2019**

(54) **GOLF CHIPPING GAME**

(71) Applicant: **P&P Imports LLC**, Santa Ana, CA
(US)

(72) Inventors: **Peter Engler**, Newport Beach, CA
(US); **Peter Tanoury**, Newport Beach,
CA (US)

(73) Assignee: **P & P Imports LLC**, Santa Ana, CA
(US)

(**) Term: **15 Years**

(21) Appl. No.: **29/677,633**

(22) Filed: **Jan. 22, 2019**

(51) **LOC (12) Cl.** **21-02**

(52) **U.S. Cl.**
USPC **D21/790**; D21/303

(58) **Field of Classification Search**

USPC D21/300–307, 319, 335, 342, 386, 699,
D21/705, 780, 789, 790, 791; 473/164,
473/172, 197, 436

CPC A63B 63/00; A63B 71/022; A63B 65/00;
A63B 1/00; A63B 67/00; A63B 63/04;
A63B 63/045; A63F 1/067; A47B 25/00

See application file for complete search history.

(56) **References Cited**

U.S. PATENT DOCUMENTS

3,106,401 A * 10/1963 Moran A63D 15/02
273/108

D382,601 S * 8/1997 Antill D21/303
(Continued)

OTHER PUBLICATIONS

“Gosport battlechip”, posted Jul. 1, 2019 [online], [retrieved Aug. 18, 2018]. Retrieved from internet, https://www.amazon.com/GoSports-BattleChip-Targets-Scorecard-Carrying/product-reviews/B07N26KJFZ/ref=cm_cr_dp_d_show_all_btm?ie=UTF8&reviewerType=all_reviews.*

(Continued)

Primary Examiner — Kevin K Rudzinski

Assistant Examiner — Mehri F Bajoul

(74) *Attorney, Agent, or Firm* — Casey Kempner

(57) **CLAIM**

The ornamental design for a golf chipping game, as shown and described.

DESCRIPTION

FIG. 1 is a top perspective view of a first embodiment of a golf chipping game showing the claimed design.

FIG. 2 is a bottom view of the golf chipping game shown in FIG. 1.

FIG. 3 is a top view of the golf chipping game shown in FIG. 1.

FIG. 4 is a right-side view of the golf chipping game shown in FIG. 1.

FIG. 5 is a left-side view of the golf chipping game shown in FIG. 1.

FIG. 6 is a rear-side view of the golf chipping game shown in FIG. 1.

FIG. 7 is a front-side view of the golf chipping game shown in FIG. 1.

FIG. 8 is a top perspective view of a second embodiment of a golf chipping game showing the claimed design.

FIG. 9 is a bottom view of the golf chipping game shown in FIG. 8.

FIG. 10 is a top view of the golf chipping game shown in FIG. 8.

FIG. 11 is a right-side view of the golf chipping game shown in FIG. 8.

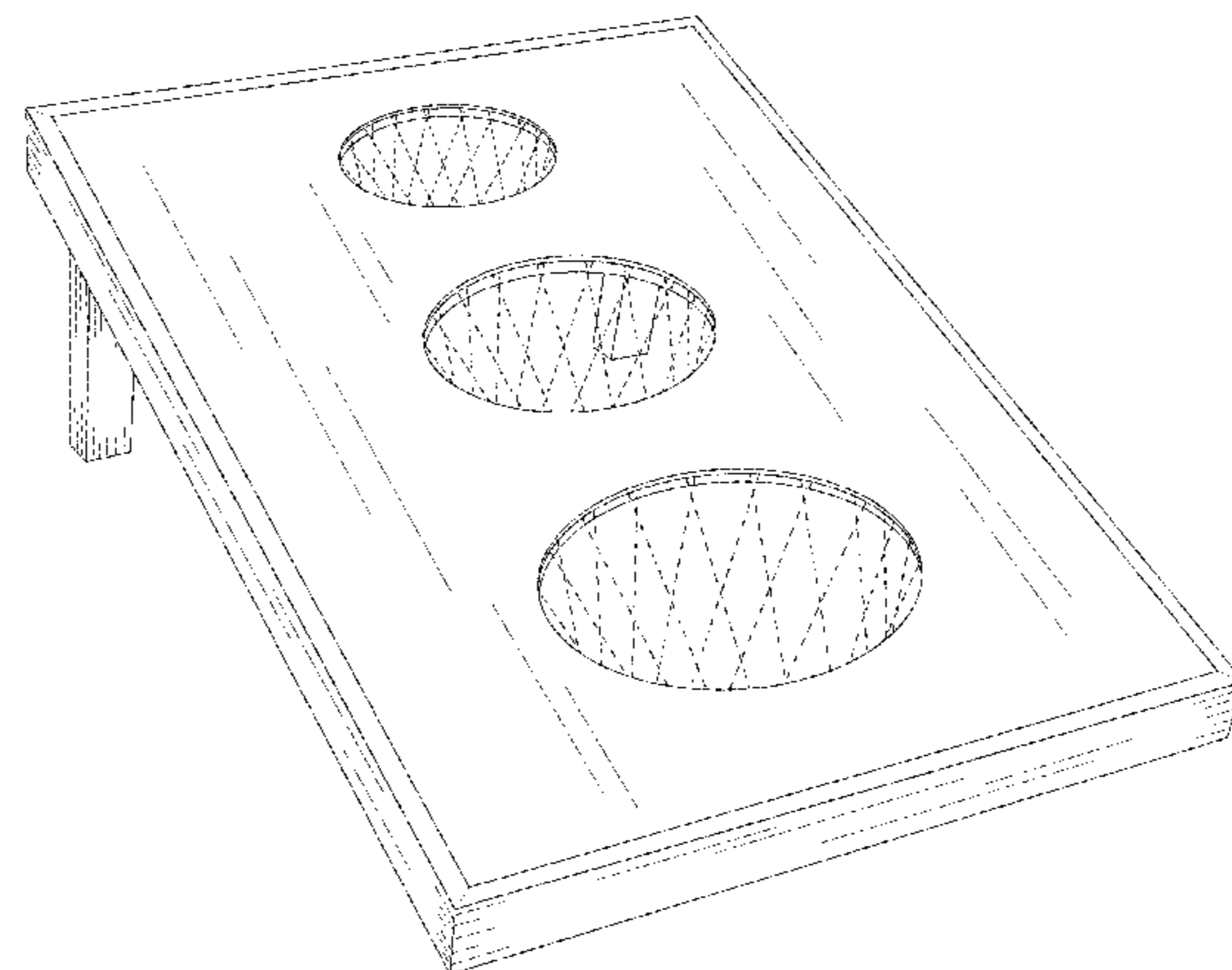
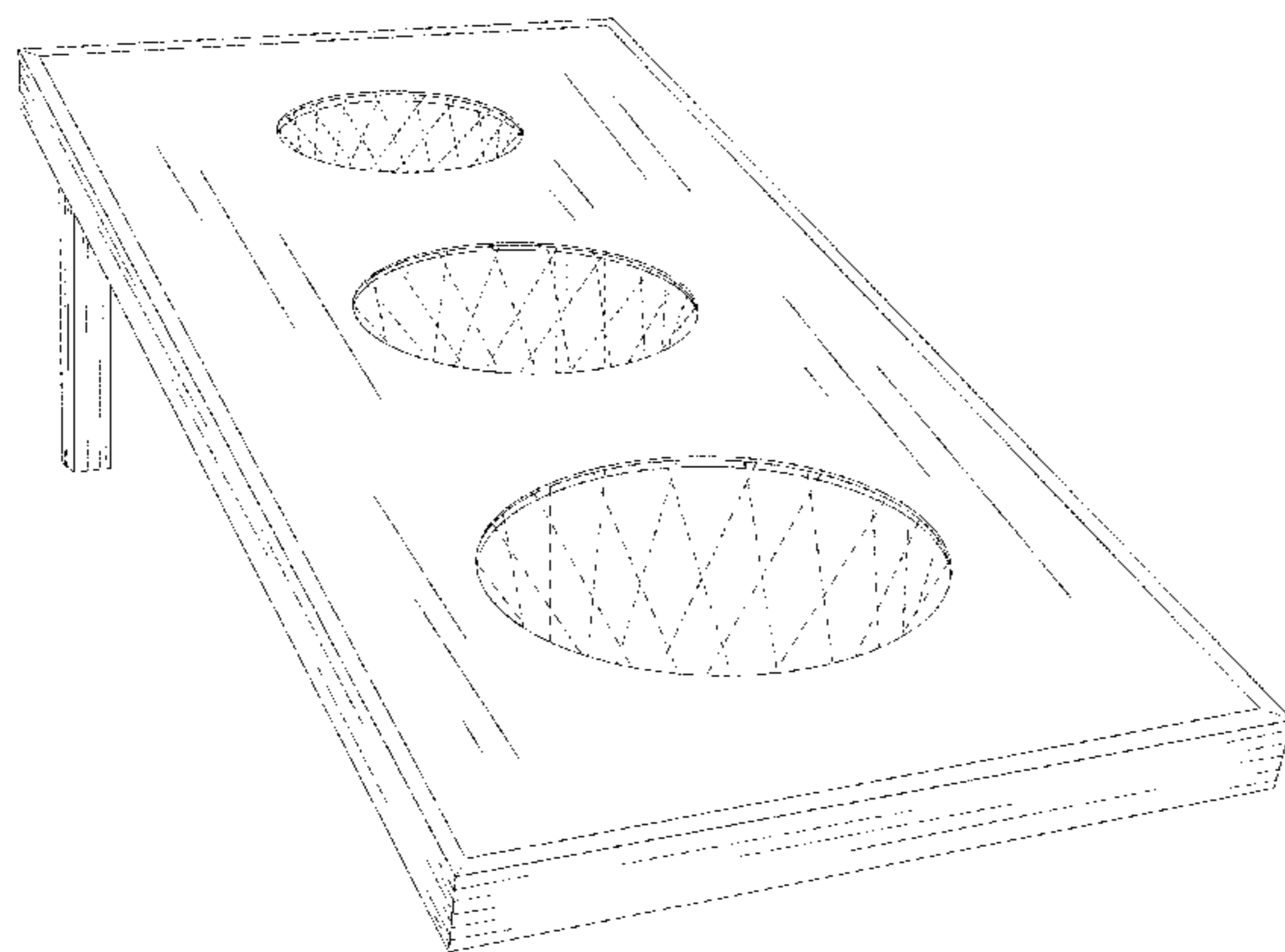
FIG. 12 is a left-side view of the golf chipping game shown in FIG. 8.

FIG. 13 is a rear-side view of the golf chipping game shown in FIG. 8; and,

FIG. 14 is a front-side view of the golf chipping game shown in FIG. 8.

The broken lines in the figures show portions of the golf chipping game that form no part of the claimed design.

1 Claim, 14 Drawing Sheets



(56)

References Cited

U.S. PATENT DOCUMENTS

D408,462 S * 4/1999 Frycz D21/303
 D409,135 S * 5/1999 Davis D12/420
 D420,083 S * 2/2000 Muto D21/790
 D545,911 S * 7/2007 Verni D21/303
 D635,197 S * 3/2011 Pryor D21/303
 D688,749 S * 8/2013 Pavony D21/303
 D692,500 S * 10/2013 Max D21/303
 D706,354 S * 6/2014 Montenare D21/303
 9,381,414 B1 * 7/2016 Gattton A63B 67/06
 D806,171 S * 12/2017 Nally D21/303
 D827,031 S * 8/2018 Valladares D21/303
 D827,078 S 8/2018 McAuley
 2004/0227284 A1 * 11/2004 Christianson A63B 65/10
 273/126 R
 2005/0104284 A1 * 5/2005 Pollu A63B 63/08
 273/123 R
 2008/0116644 A1 * 5/2008 Knoernschild A63B 67/06
 273/336
 2011/0256945 A1 * 10/2011 Hsiang A63B 63/00
 473/194

2011/0291357 A1 * 12/2011 Boyle A63B 67/06
 273/242
 2012/0038109 A1 * 2/2012 Battista A63F 9/0204
 273/402
 2012/0235356 A1 * 9/2012 Weiss A63F 3/00028
 273/398
 2013/0082442 A1 * 4/2013 Hanel A63B 63/00
 273/398
 2014/0151963 A1 * 6/2014 Bennett A63B 67/06
 273/348
 2017/0138586 A1 * 5/2017 Finch F21V 33/008
 2018/0036630 A1 * 2/2018 Wilder A63B 67/06
 2018/0085649 A1 * 3/2018 O'Neill F21V 3/0625
 2018/0207503 A1 * 7/2018 Rivard A63F 9/02

OTHER PUBLICATIONS

Eastpoint Sports—2 in ! Bean bag toss & Chip N score Golf, 1-16930FPO, https://www.amazon.com/EastPoint-bean-toss-Chip-score/dp/B07FXRTTZW/ref=lp_9556910011_1_10?srs=9556910011&ie=UTF8&qid=1556040707&sr=8-10, Published at least as early as Apr. 22, 2019.

* cited by examiner

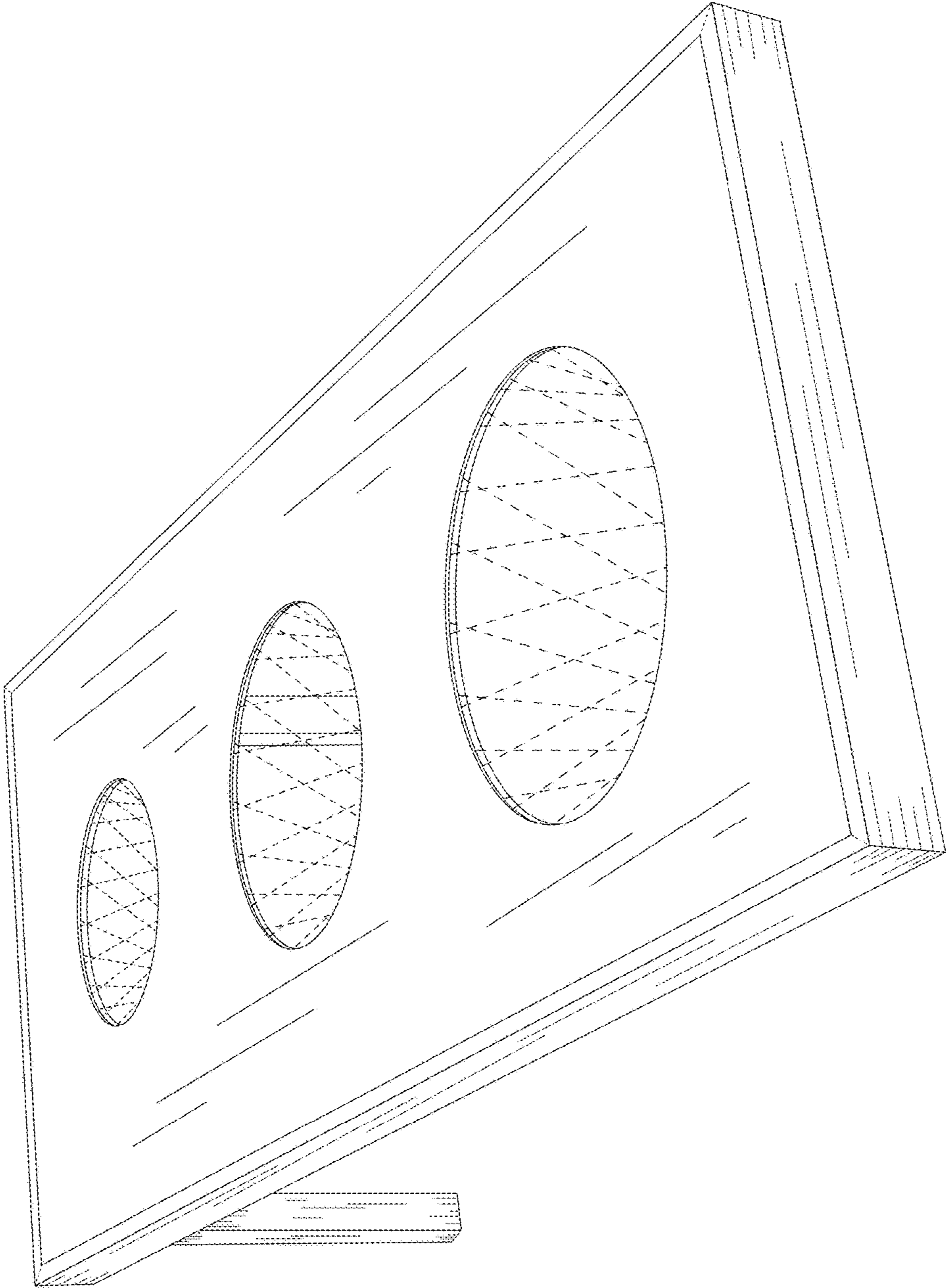


FIG. 1

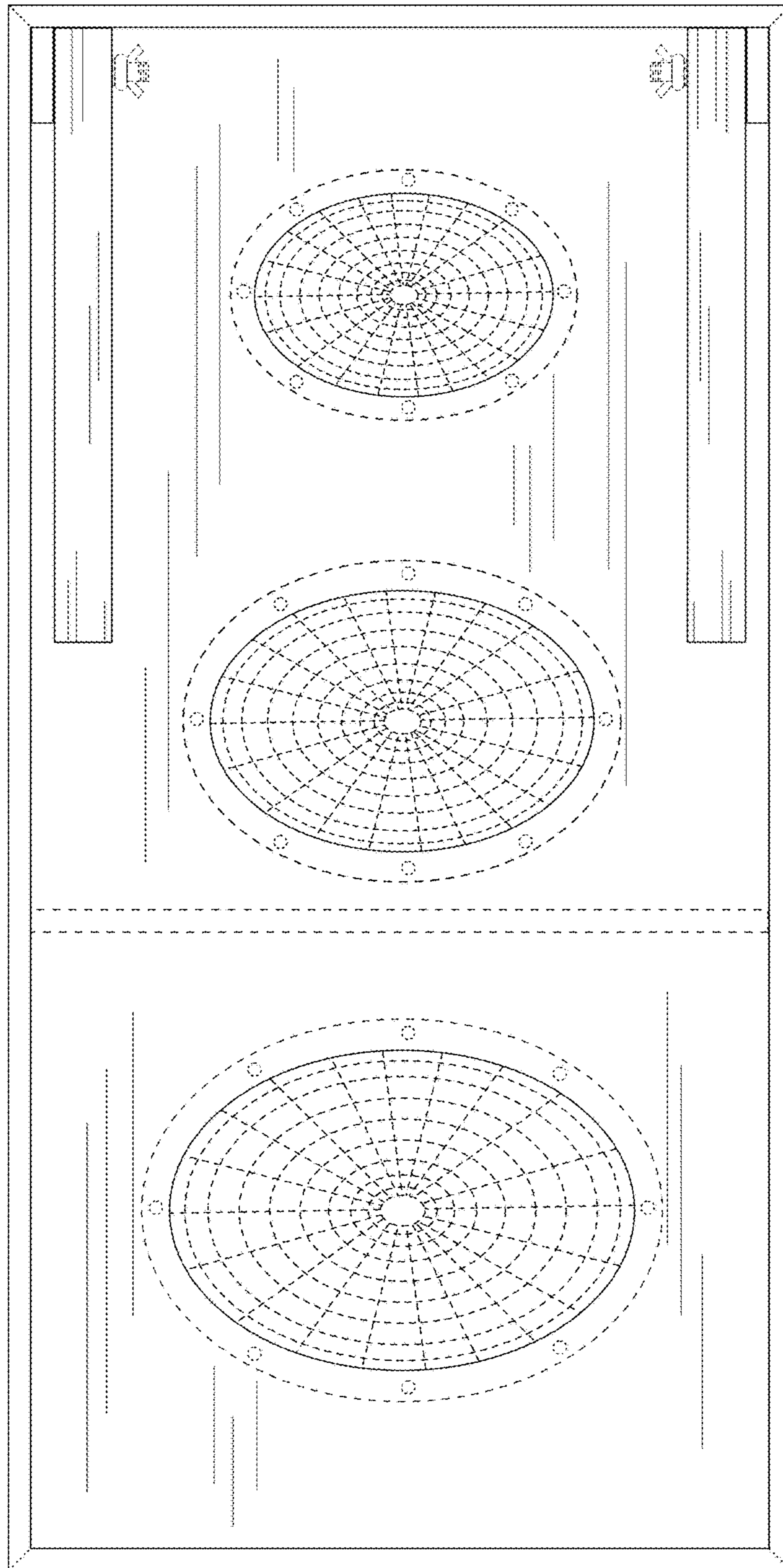


FIG. 2

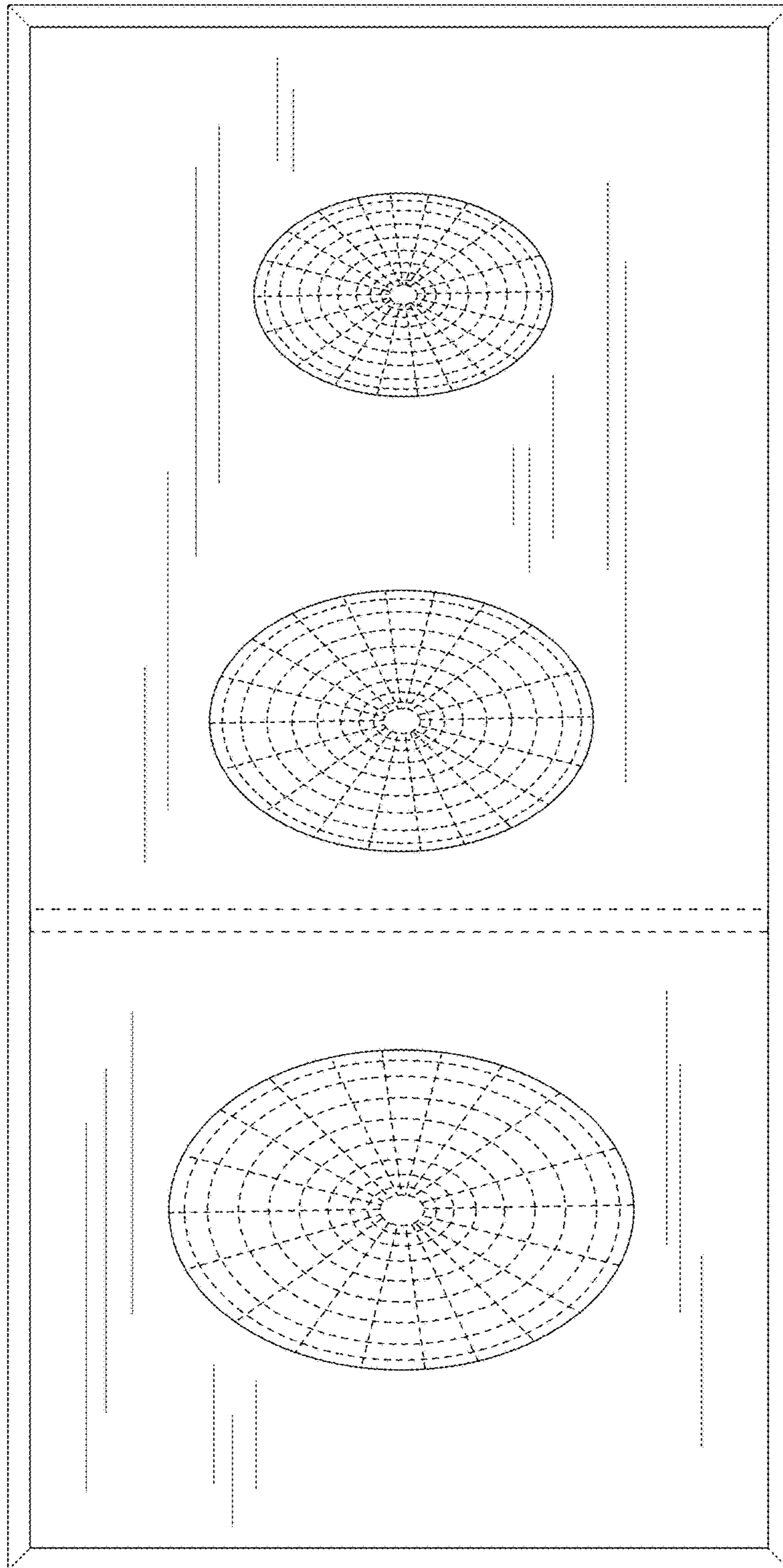
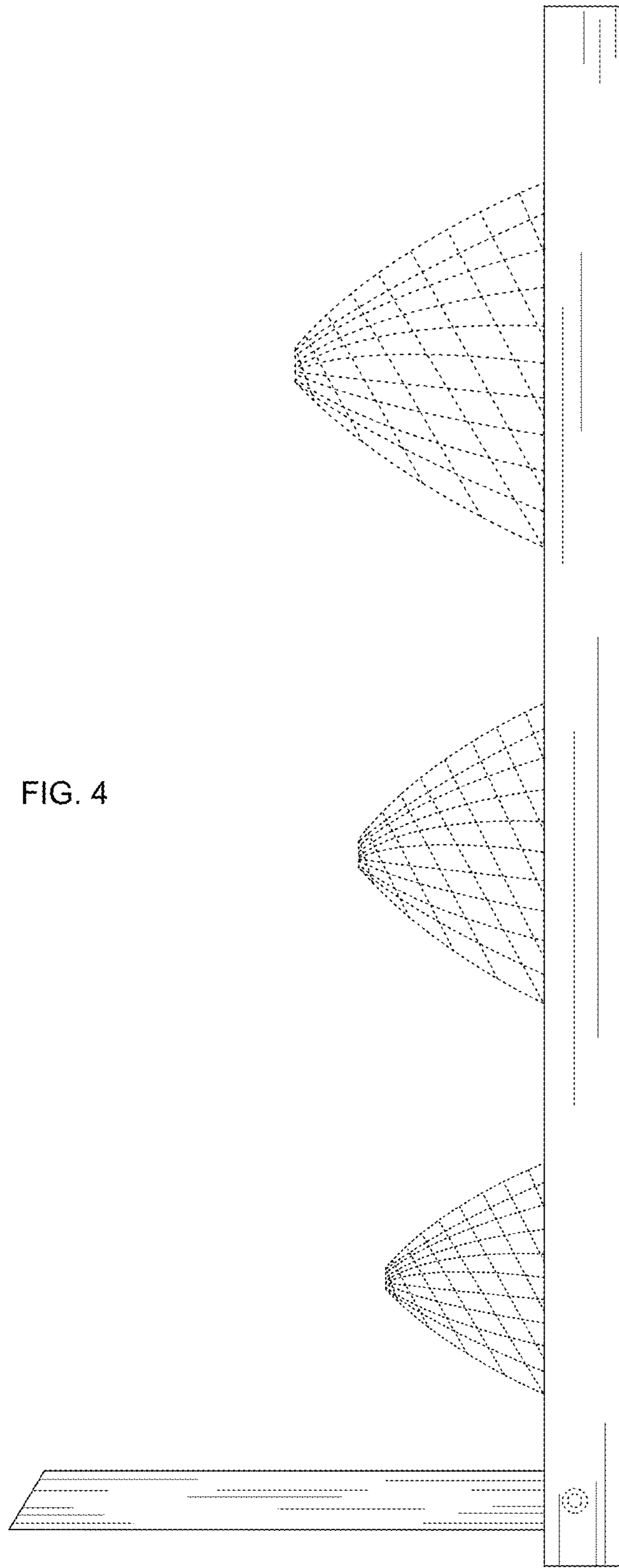


FIG. 3



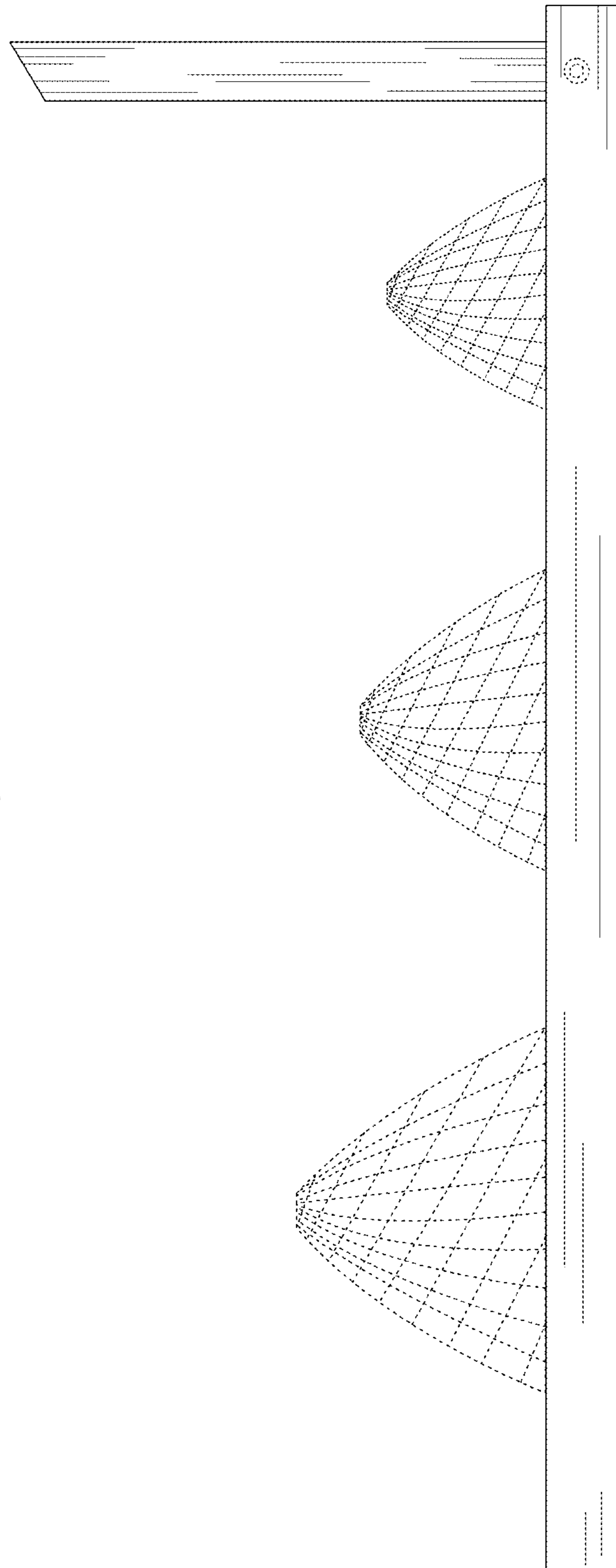


FIG. 5

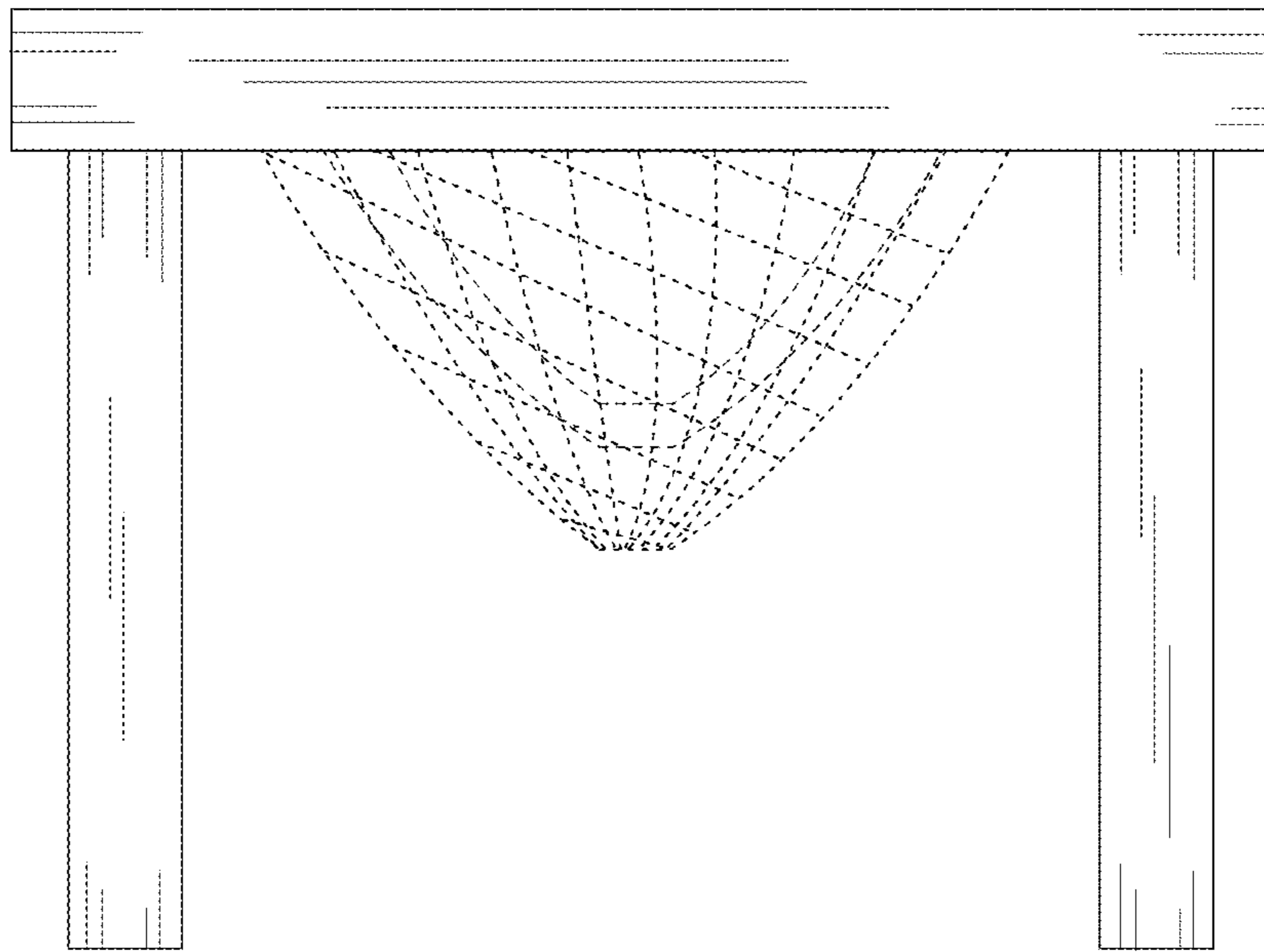


FIG. 6

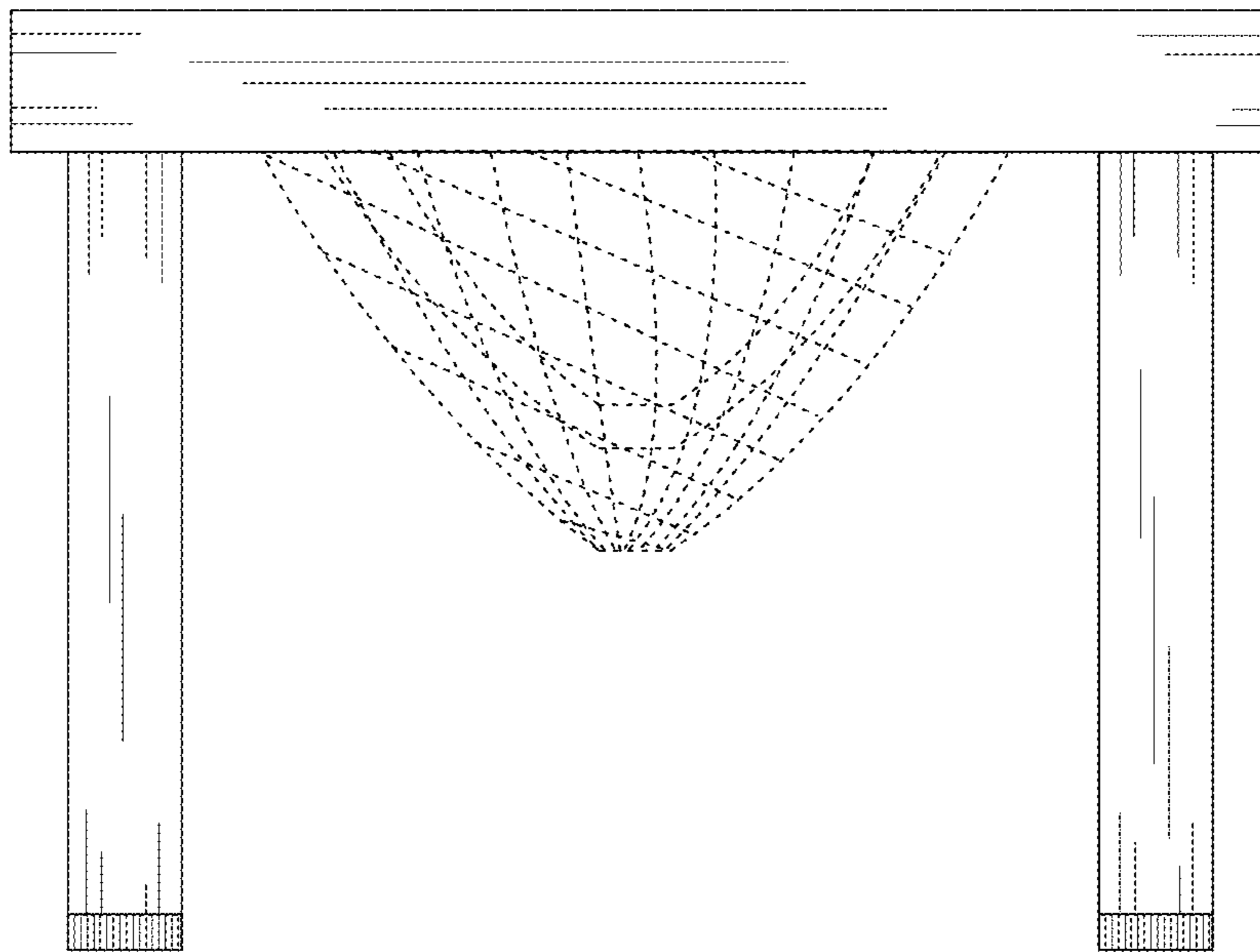


FIG. 7

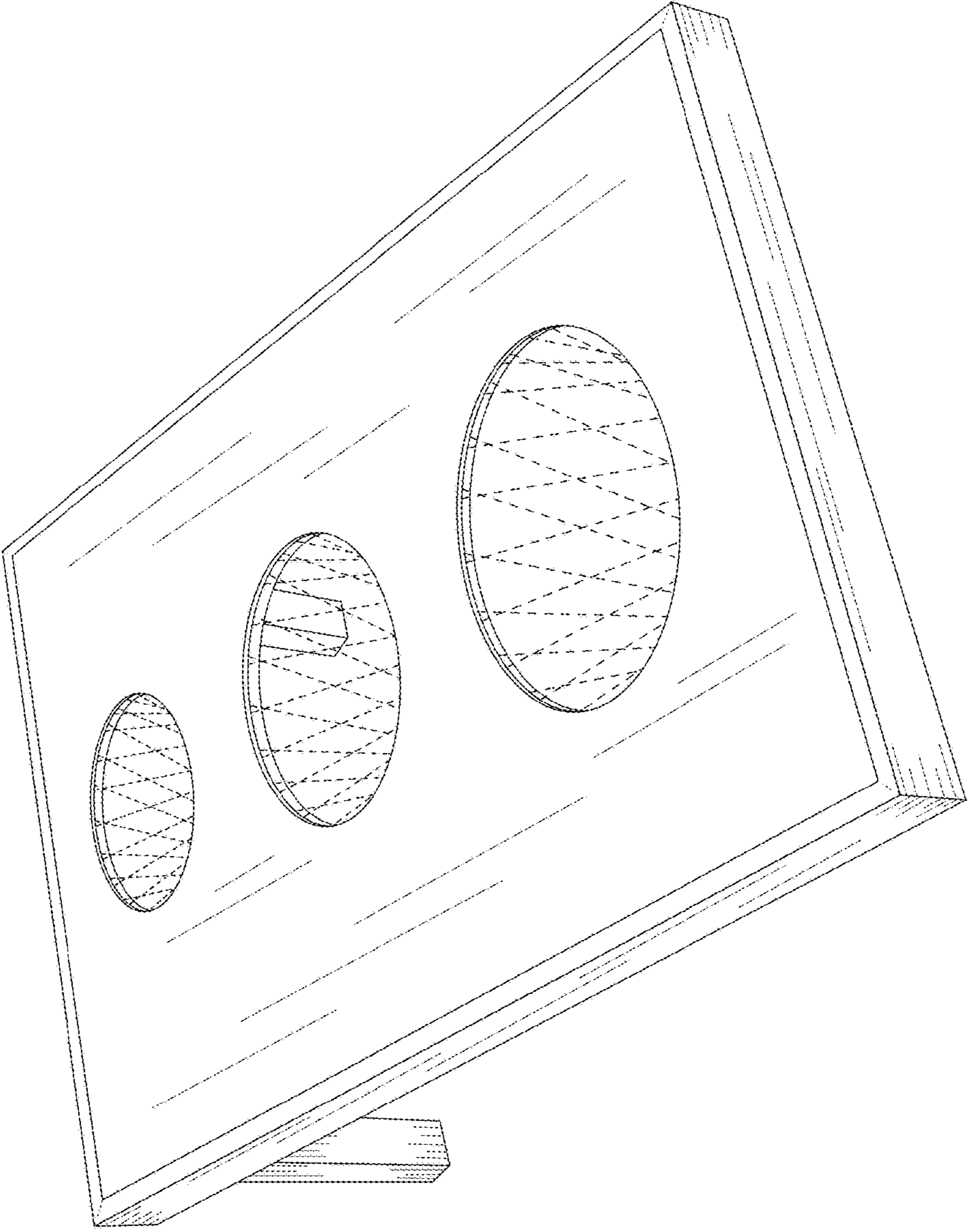


FIG. 8

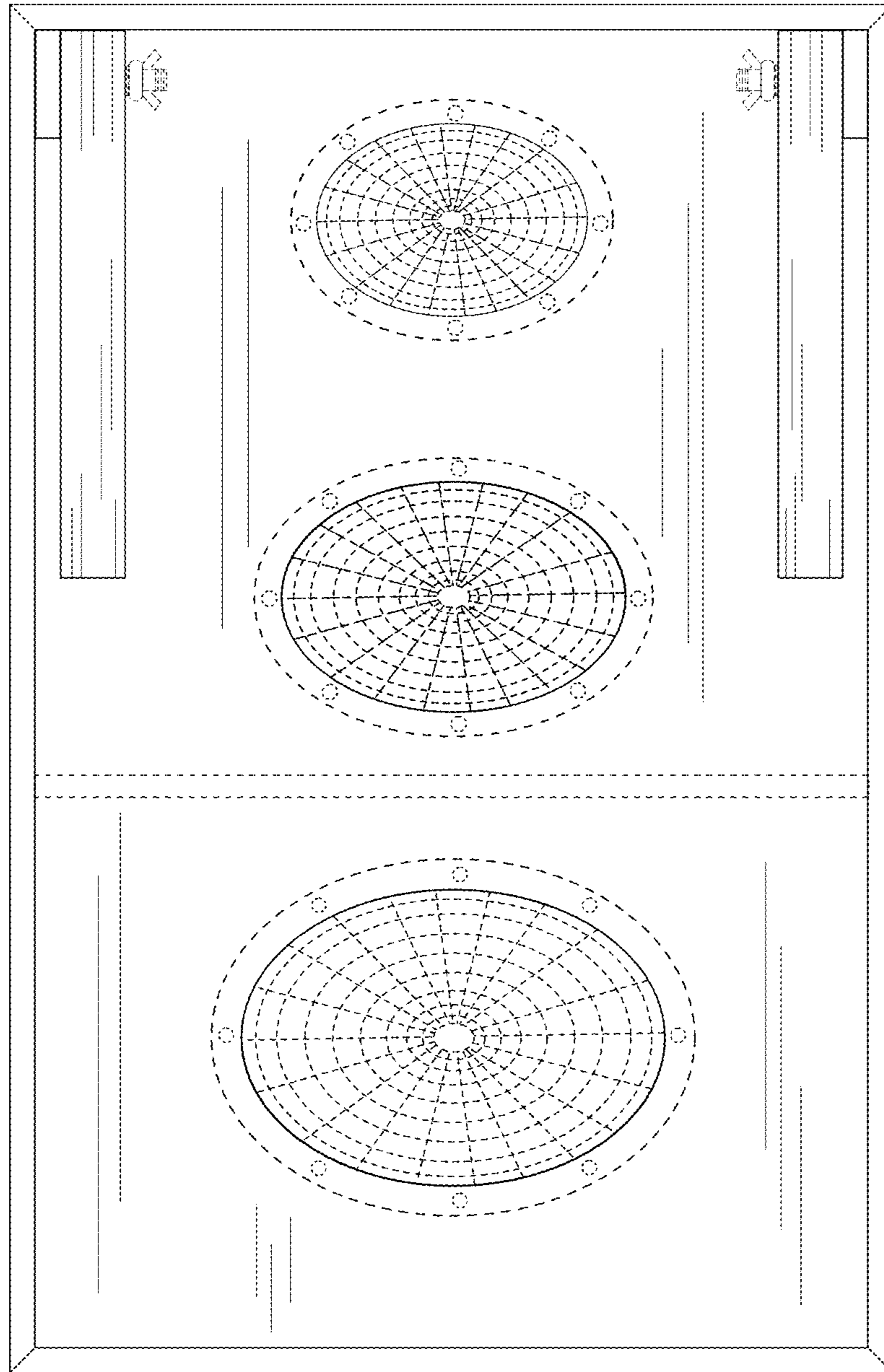


FIG. 9

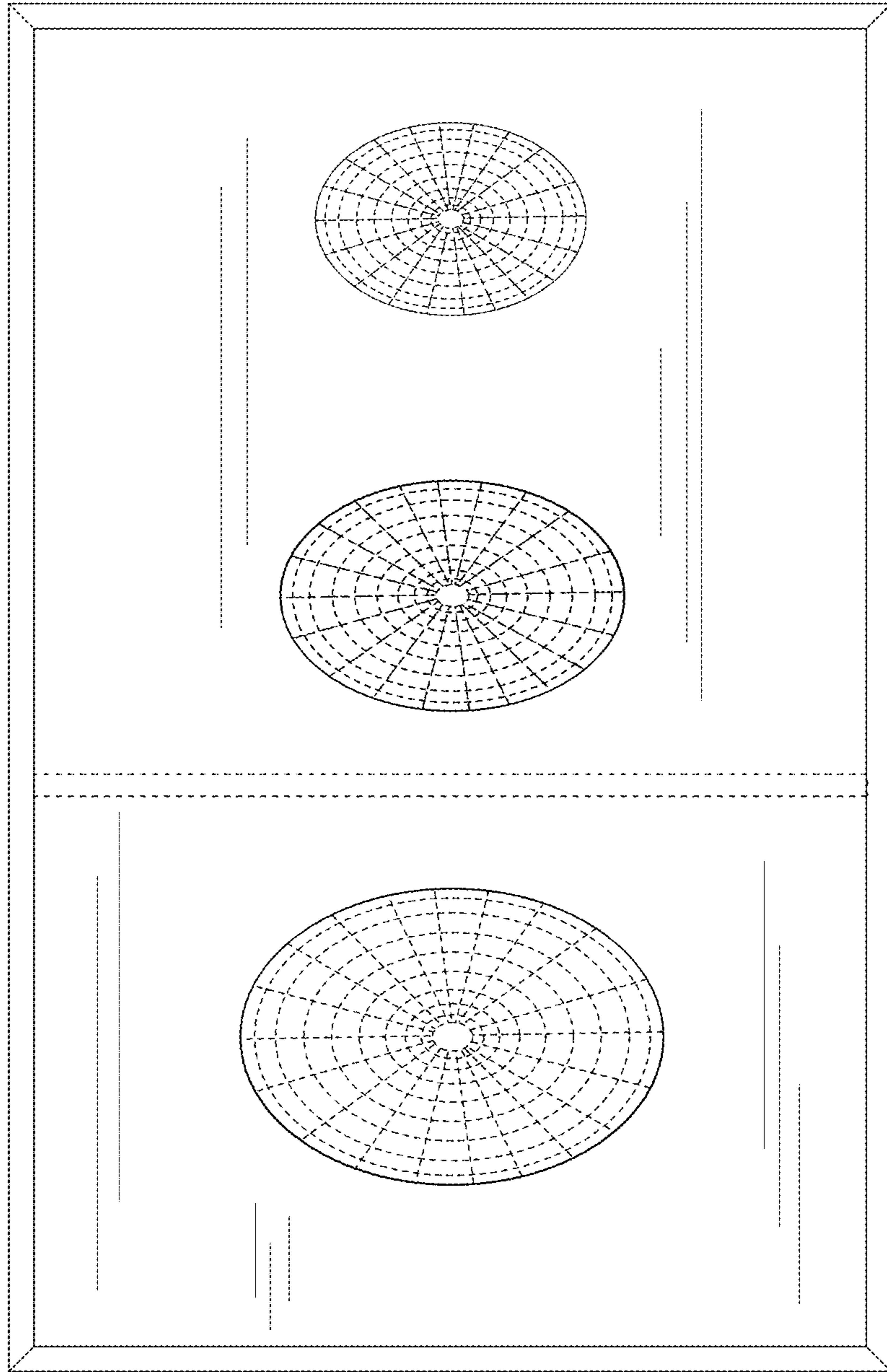


FIG. 10

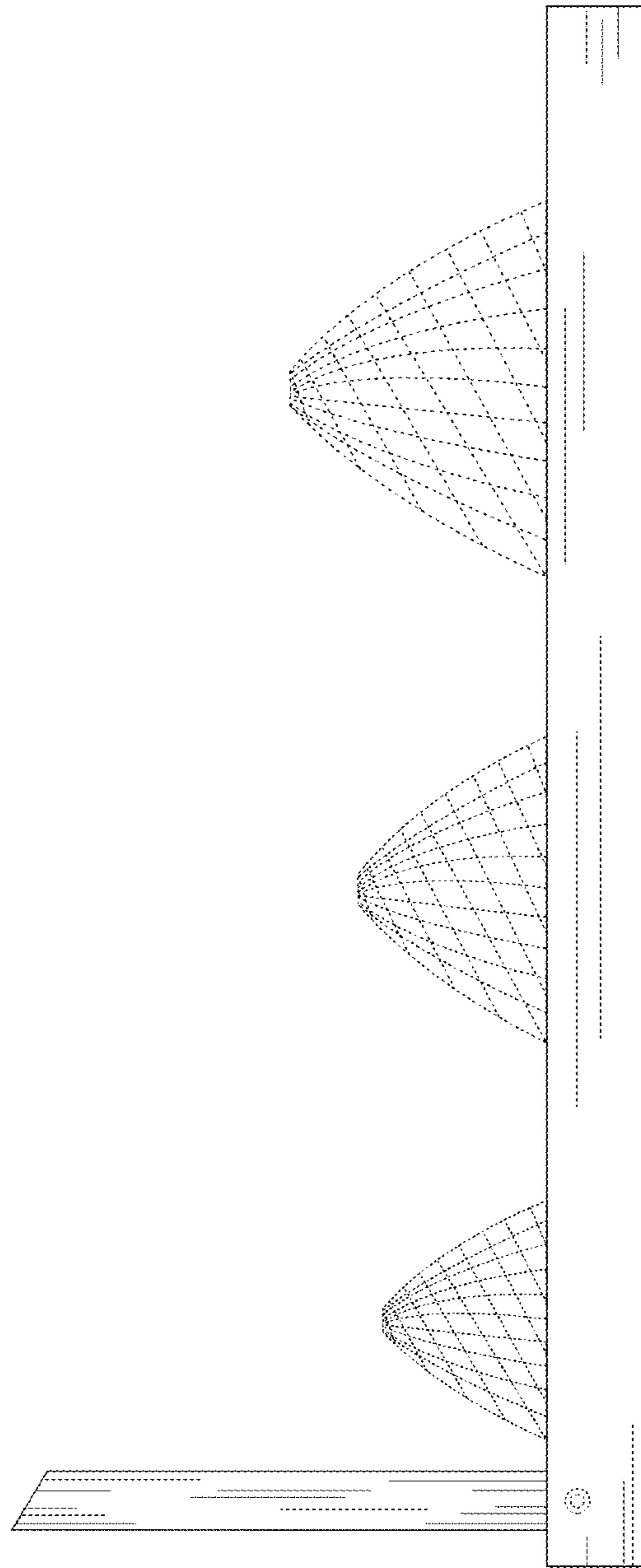


FIG. 11

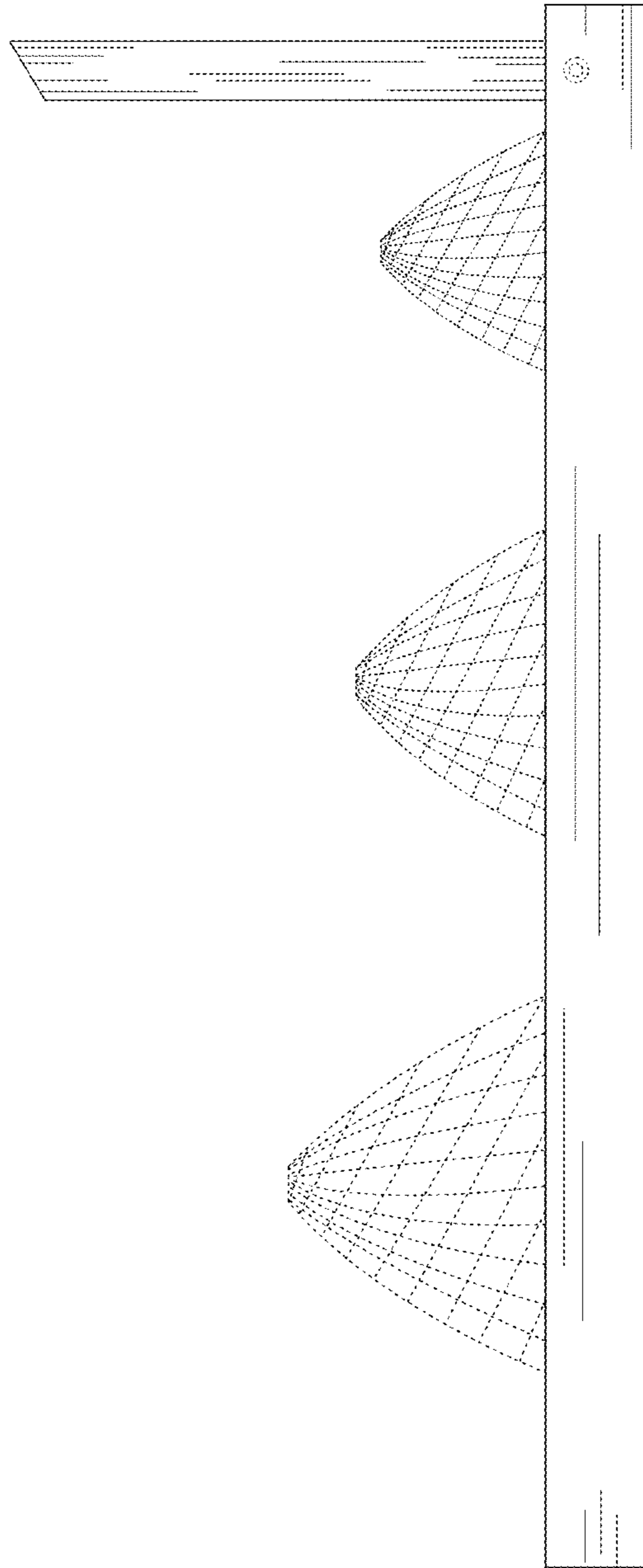


FIG. 12

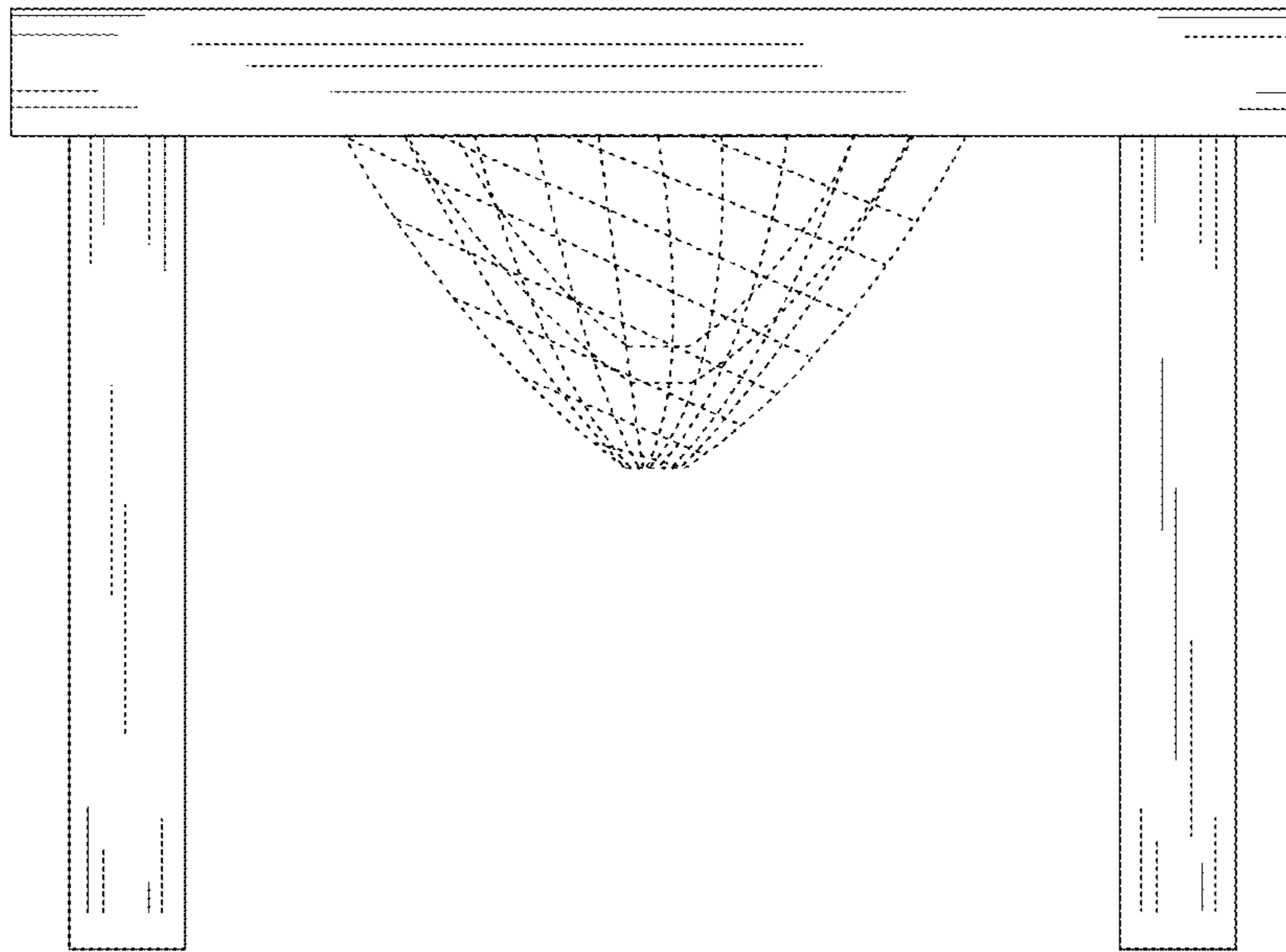


FIG. 13

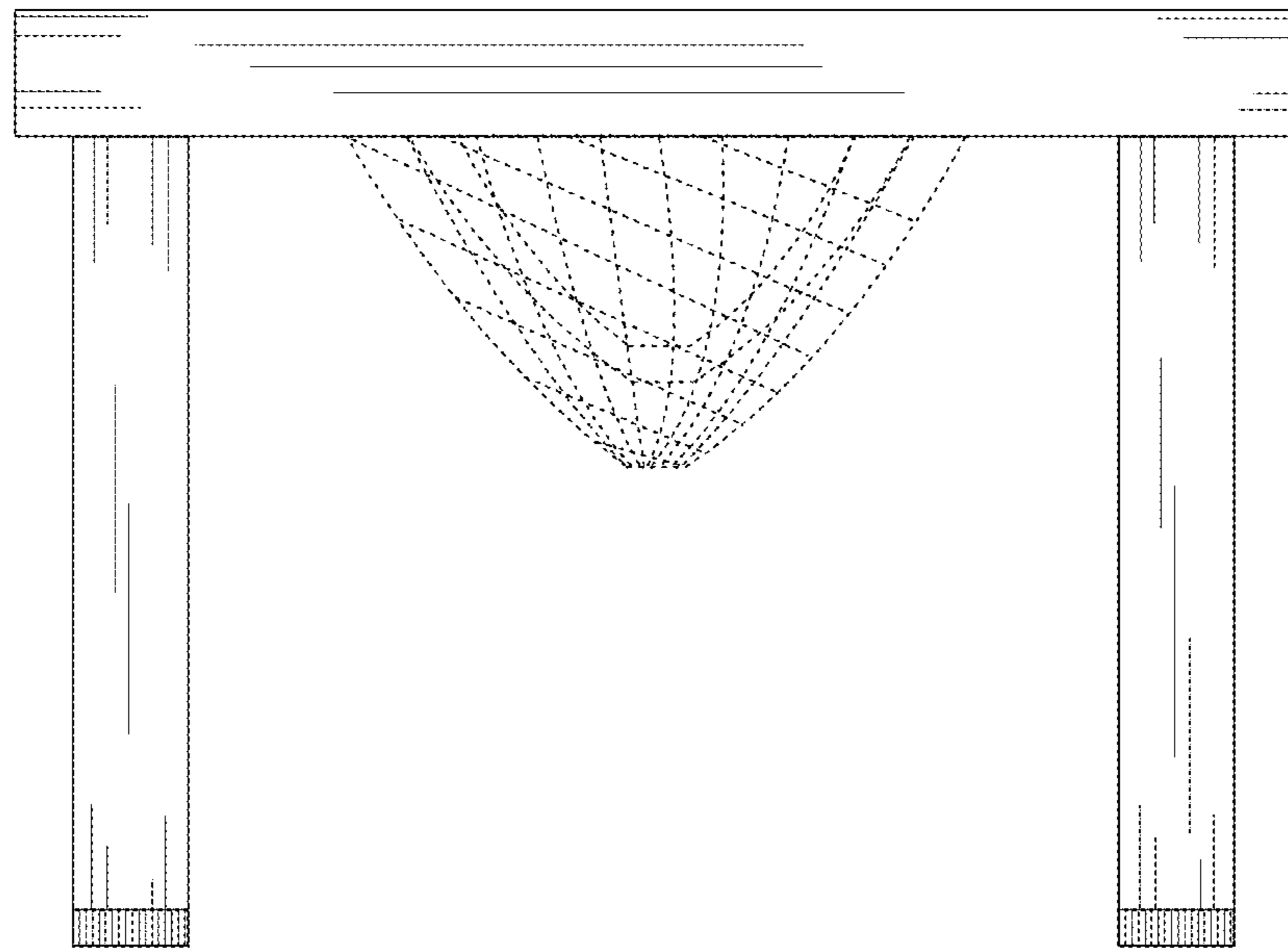


FIG. 14