



US00D868916S

(12) **United States Design Patent** (10) **Patent No.:** **US D868,916 S**
Engler et al. (45) **Date of Patent:** **** Dec. 3, 2019**

- (54) **GOLF CHIPPING GAME**
- (71) Applicant: **P&P Imports LLC**, Santa Ana, CA (US)
- (72) Inventors: **Peter Engler**, Newport Beach, CA (US); **Peter Tanoury**, Santa Ana, CA (US); **Sean Kyne**, Dana Point, CA (US)
- (73) Assignee: **P&P Imports LLC**, Santa Ana, CA (US)
- (**) Term: **15 Years**
- (21) Appl. No.: **29/673,025**
- (22) Filed: **Dec. 11, 2018**
- (51) **LOC (12) Cl.** **21-02**
- (52) **U.S. Cl.**
USPC **D21/790; D21/303**
- (58) **Field of Classification Search**
USPC D21/300-303, 319, 355, 342, 386, 699, D21/705, 771, 780, 789, 790, 791, D21/804.805; 473/164, 172, 197, 436
CPC A63B 65/00; A63B 1/00; A63B 67/00; A63B 63/00; A63B 63/04; A63B 63/045; A63F 1/067; A47B 25/00
See application file for complete search history.

6,155,936 A * 12/2000 Dorr A63B 63/00
124/6
D635,197 S * 3/2011 Pryor D21/303
D688,749 S * 8/2013 Pavony D21/303
(Continued)

OTHER PUBLICATIONS

Eastpoint Sports—2 in ! Bean bag toss & Chip N score Golf, 1-16930FPO, https://www.amazon.com/EastPoint-bean-toss-Chip-score/dp/B07FXRTZW/ref=lp_9556910011_1_10?srs=9556910011&ie=UTF8&qid=1556040707&sr=8-10, Published at least as early as Apr. 22, 2019.

Primary Examiner — Kevin K Rudzinski
Assistant Examiner — Mehri F Bajoul
(74) *Attorney, Agent, or Firm* — Casey Kempner

(57) **CLAIM**

The ornamental design for a golf chipping game, as shown and described.

DESCRIPTION

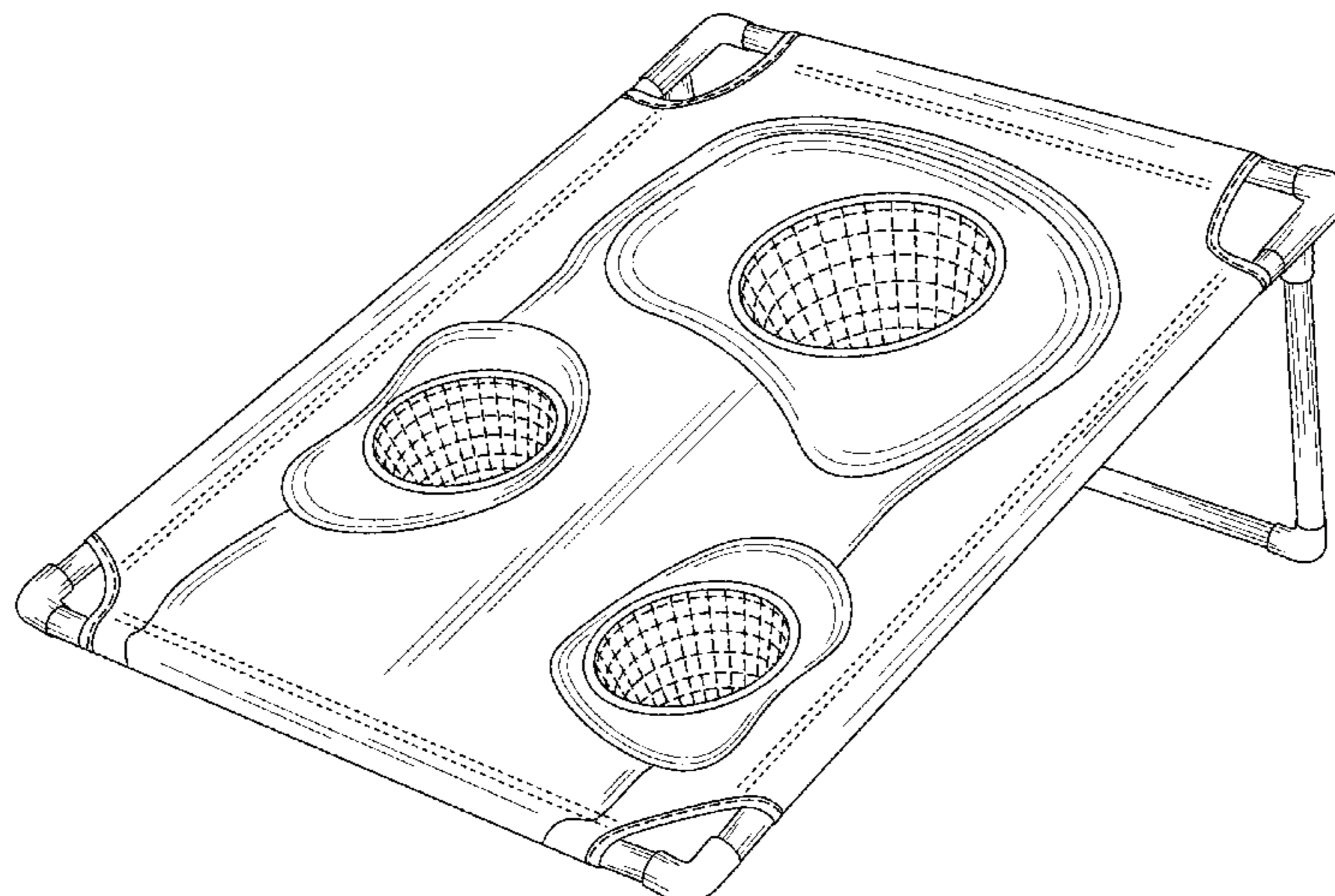
FIG. 1 is a top perspective view of a golf chipping game shown in FIG. 1.
FIG. 2 is a top view of the golf chipping game shown in FIG. 1.
FIG. 3 is a bottom view of the golf chipping game shown in FIG. 1.
FIG. 4 is a right-side view of the golf chipping game shown in FIG. 1.
FIG. 5 is a left-side view of the golf chipping game shown in FIG. 1.
FIG. 6 is a rear-side view of the golf chipping game shown in FIG. 1; and,
FIG. 7 is a front-side view of the golf chipping game shown in FIG. 1.
The broken lines in the figures show portions of the golf chipping game that form no part of the claimed design.

1 Claim, 7 Drawing Sheets

(56) **References Cited**

U.S. PATENT DOCUMENTS

- 2,170,850 A * 8/1939 Bonnett F41J 3/0038
273/403
- 3,106,401 A * 10/1963 David A63D 15/02
273/108
- 3,122,367 A * 2/1964 Dale F41J 13/02
273/394
- 4,492,380 A * 1/1985 Saytar A63B 63/00
273/400
- 4,883,272 A * 11/1989 Lay A63B 63/00
473/436
- 5,125,650 A * 6/1992 Paris A63B 21/00047
482/140
- D408,462 S * 4/1999 Frycz D21/303



(56)

References Cited

U.S. PATENT DOCUMENTS

D706,354 S * 6/2014 Montenare D21/303
D729,319 S * 5/2015 Meissner D21/303
9,192,841 B1 * 11/2015 Montgomery A63B 69/3623
9,381,414 B1 * 7/2016 Gatton A63B 67/06
D806,171 S * 12/2017 Nally D21/303
D807,963 S * 1/2018 Zandonella D21/303
D827,031 S * 8/2018 Valladares D21/303
D827,078 S 8/2018 McAuley
2009/0295093 A1 * 12/2009 Kiernan A63B 63/08
273/317.2
2009/0309307 A1 * 12/2009 Leal A63B 63/00
273/348.4
2013/0082442 A1 * 4/2013 Hanel A63B 63/00
273/398
2015/0054221 A1 * 2/2015 Sandman A63B 67/06
273/402
2017/0138586 A1 * 5/2017 Finch F21V 33/008
2018/0036630 A1 * 2/2018 Wilder A63B 67/06
2018/0056155 A1 * 3/2018 McAuley A63B 63/08

* cited by examiner

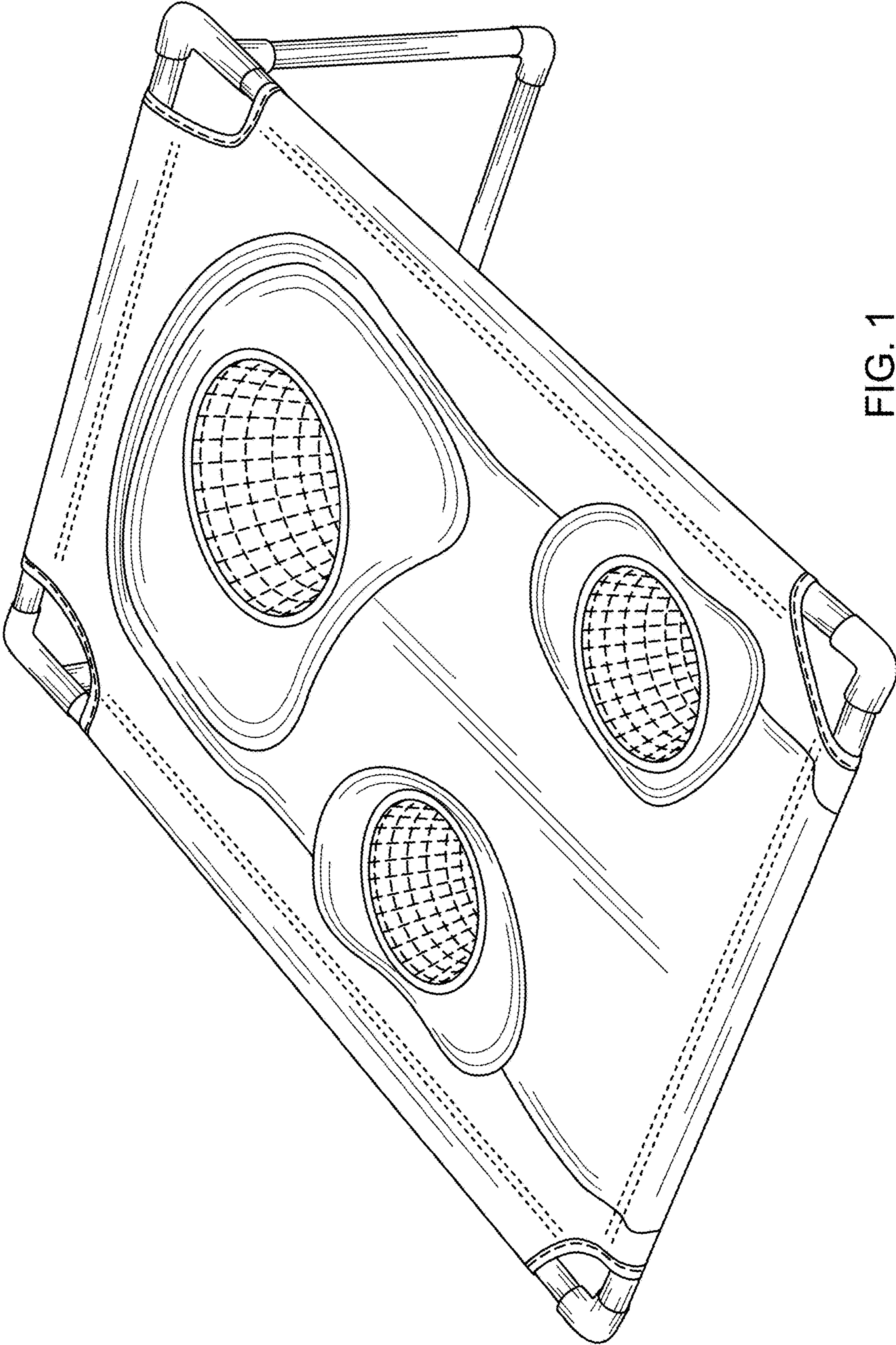


FIG. 1

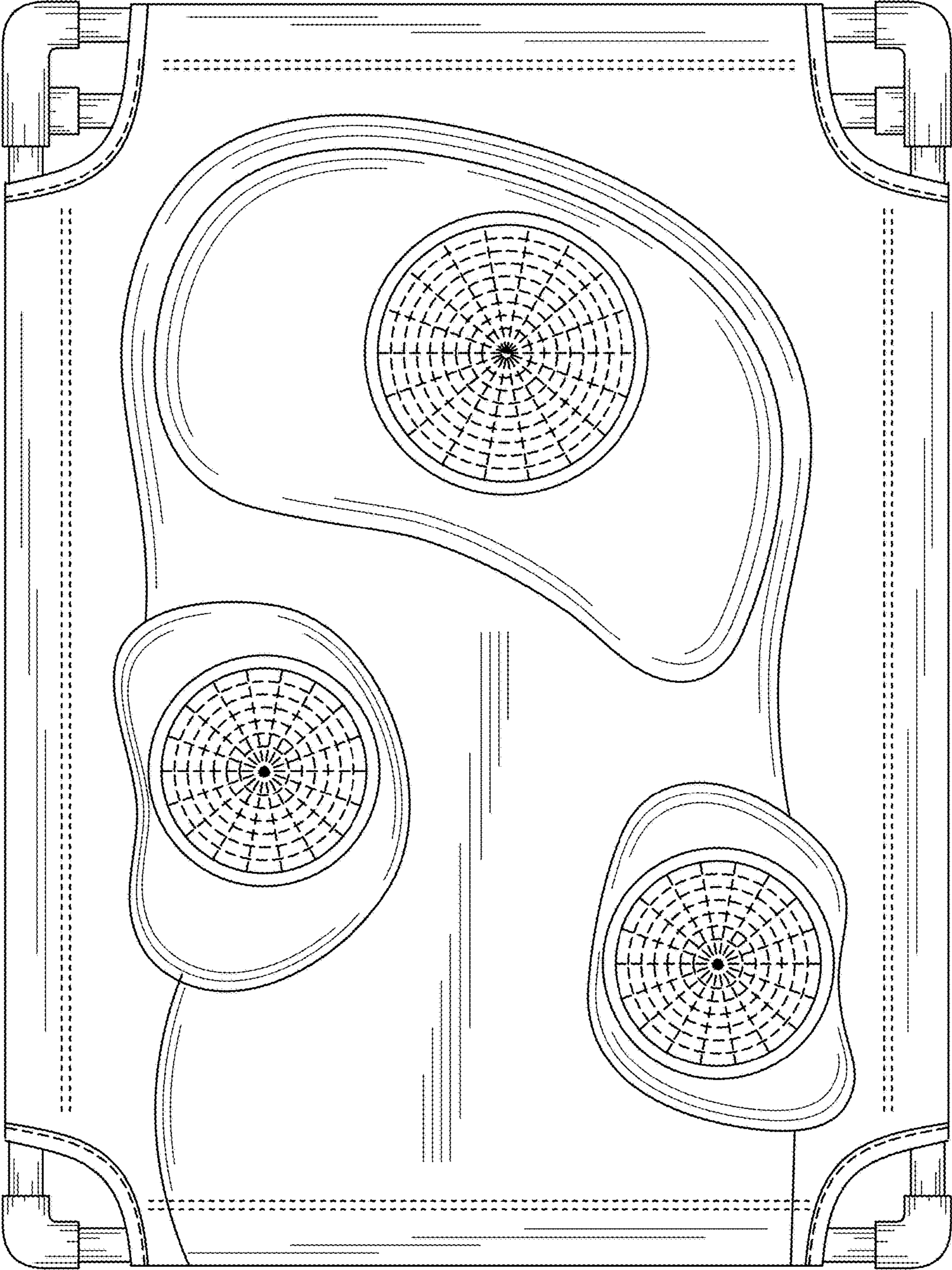


FIG. 2

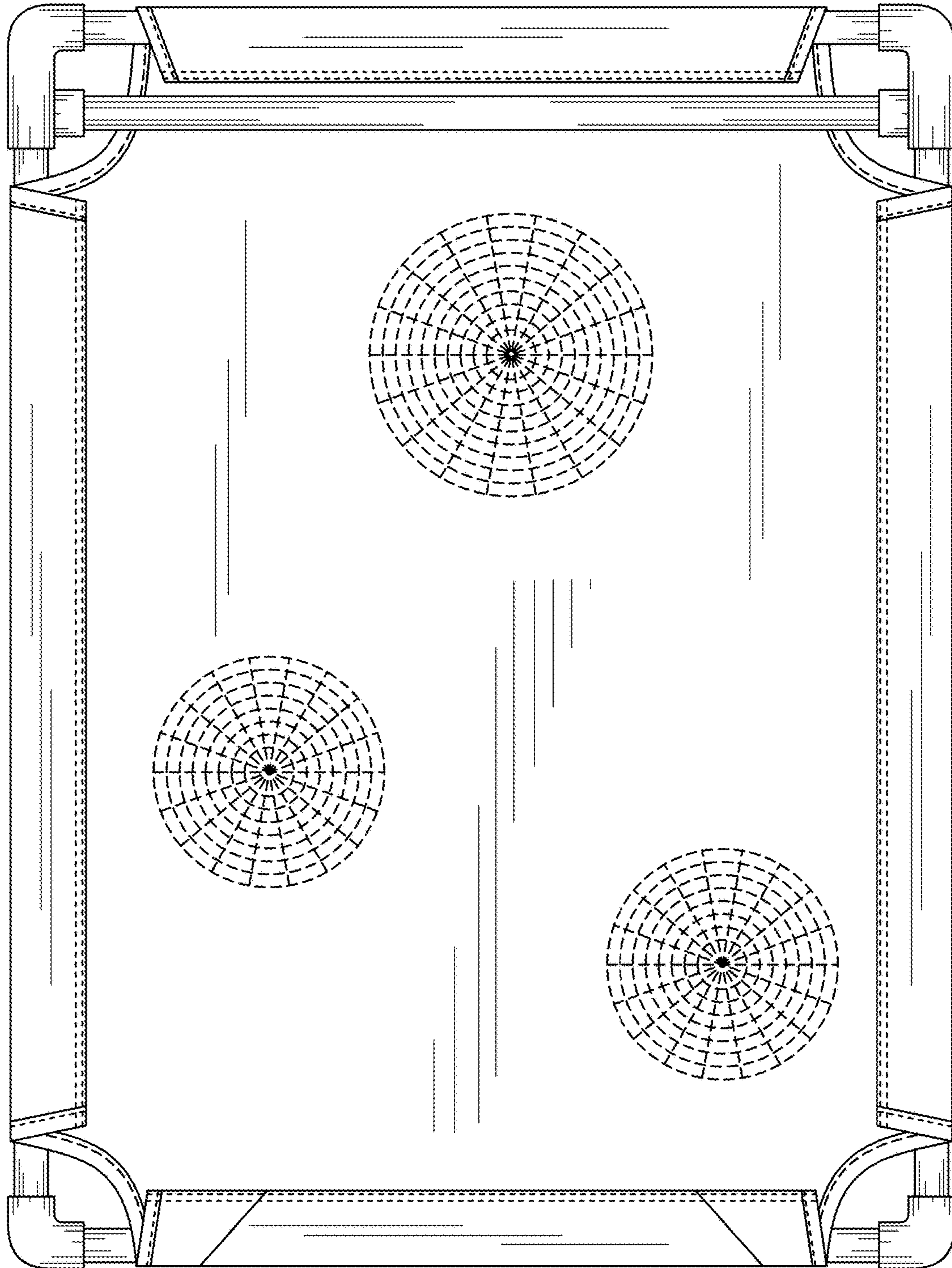


FIG. 3

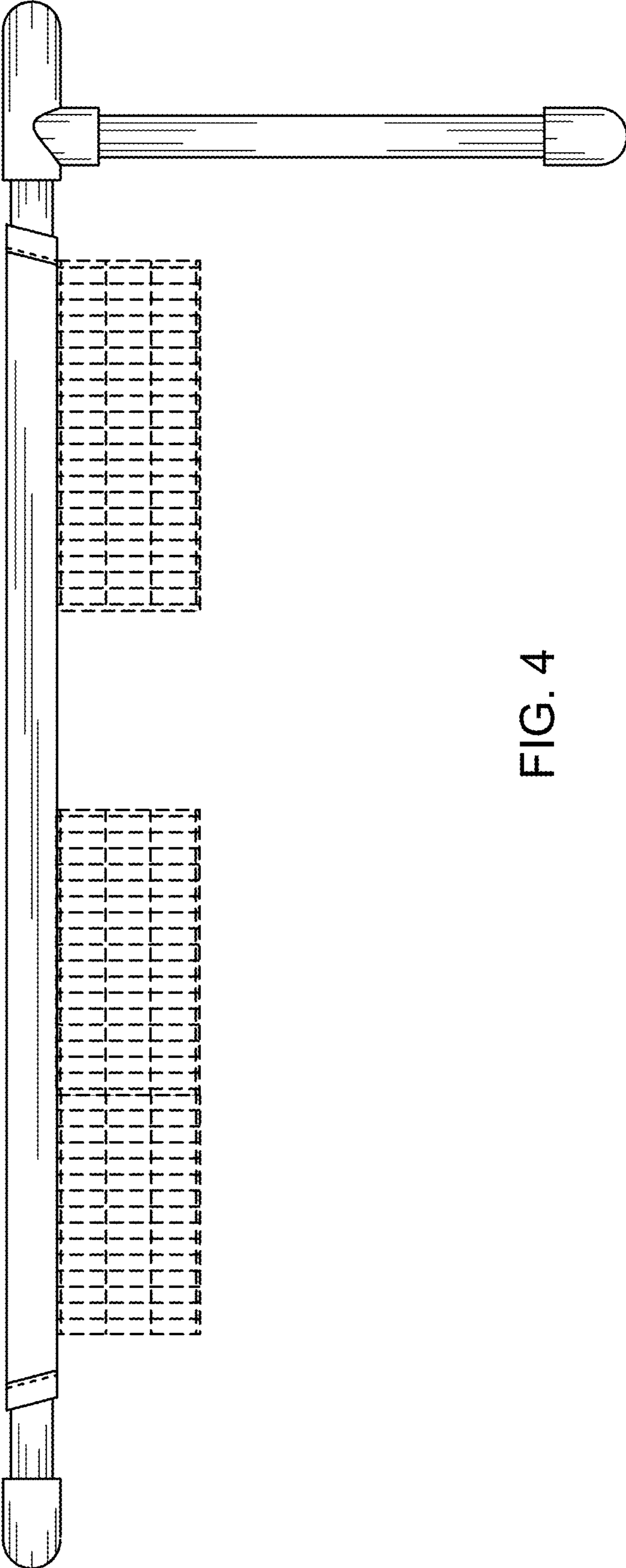


FIG. 4

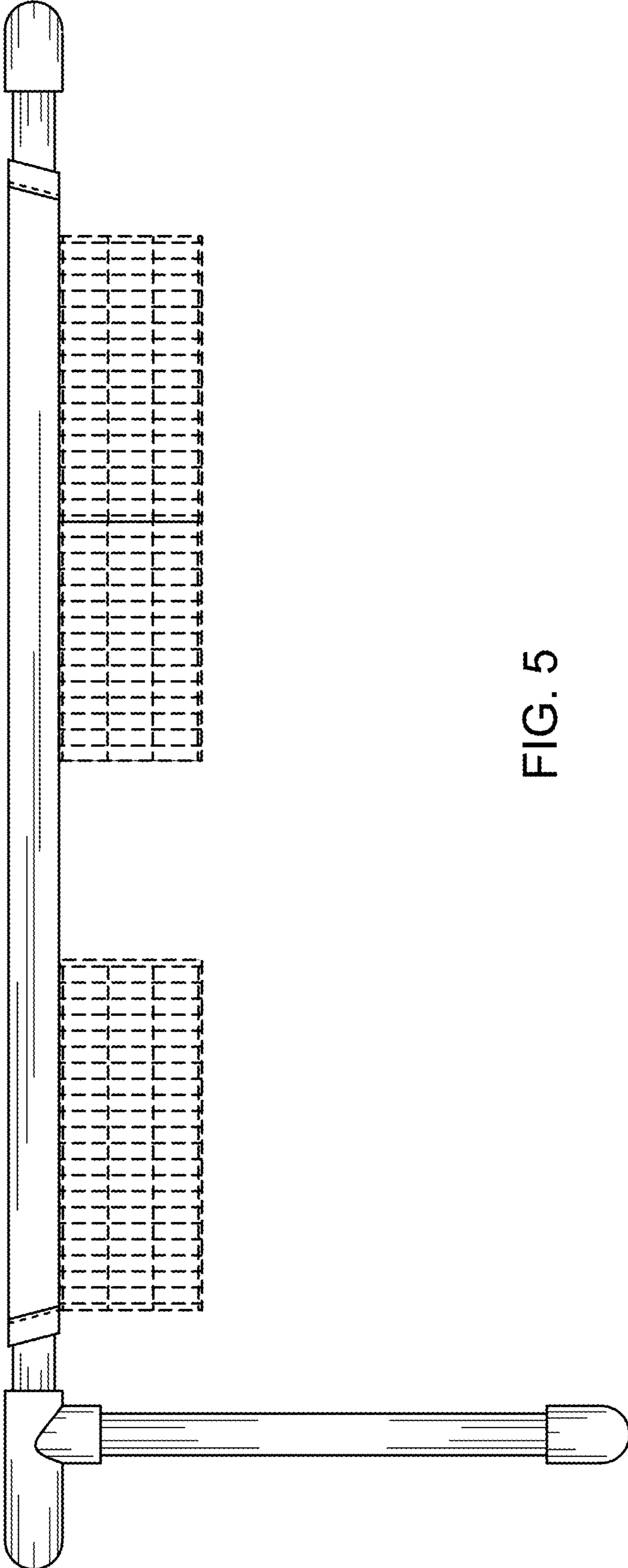


FIG. 5

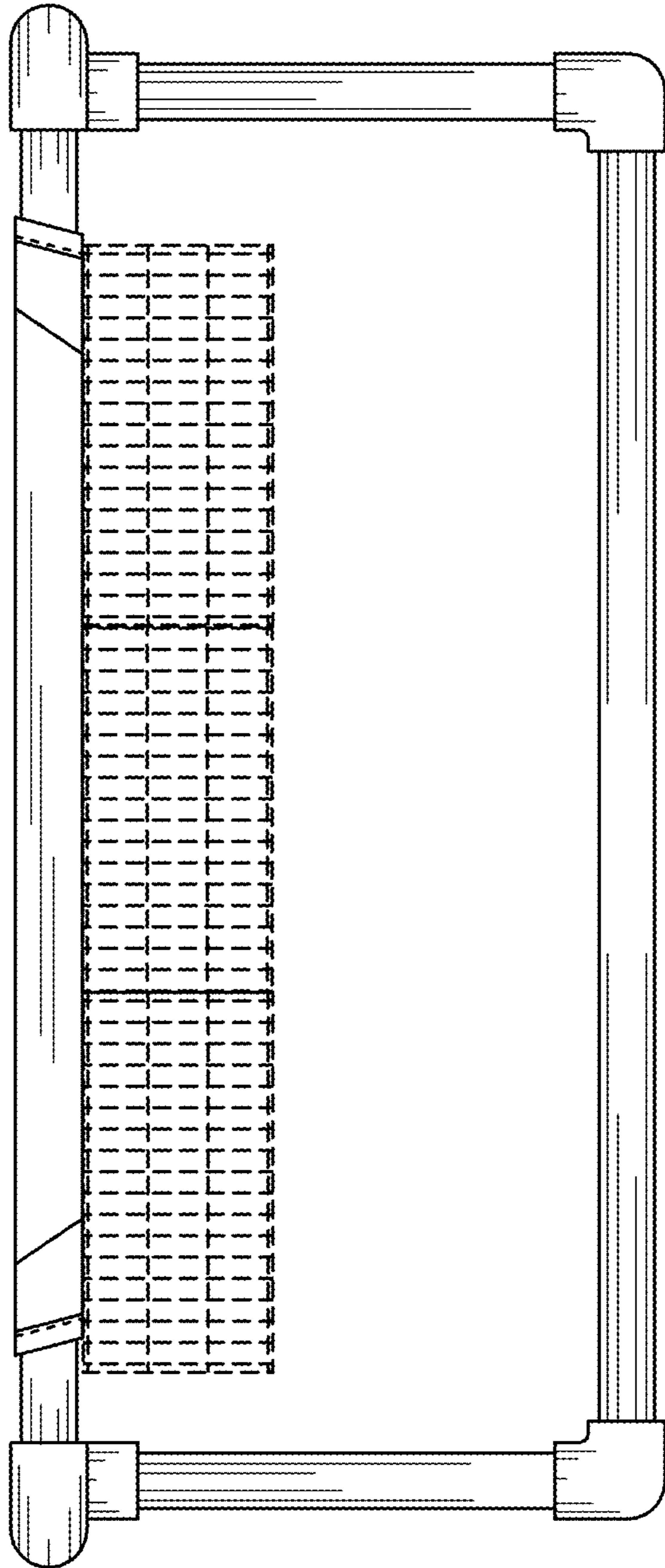


FIG. 6

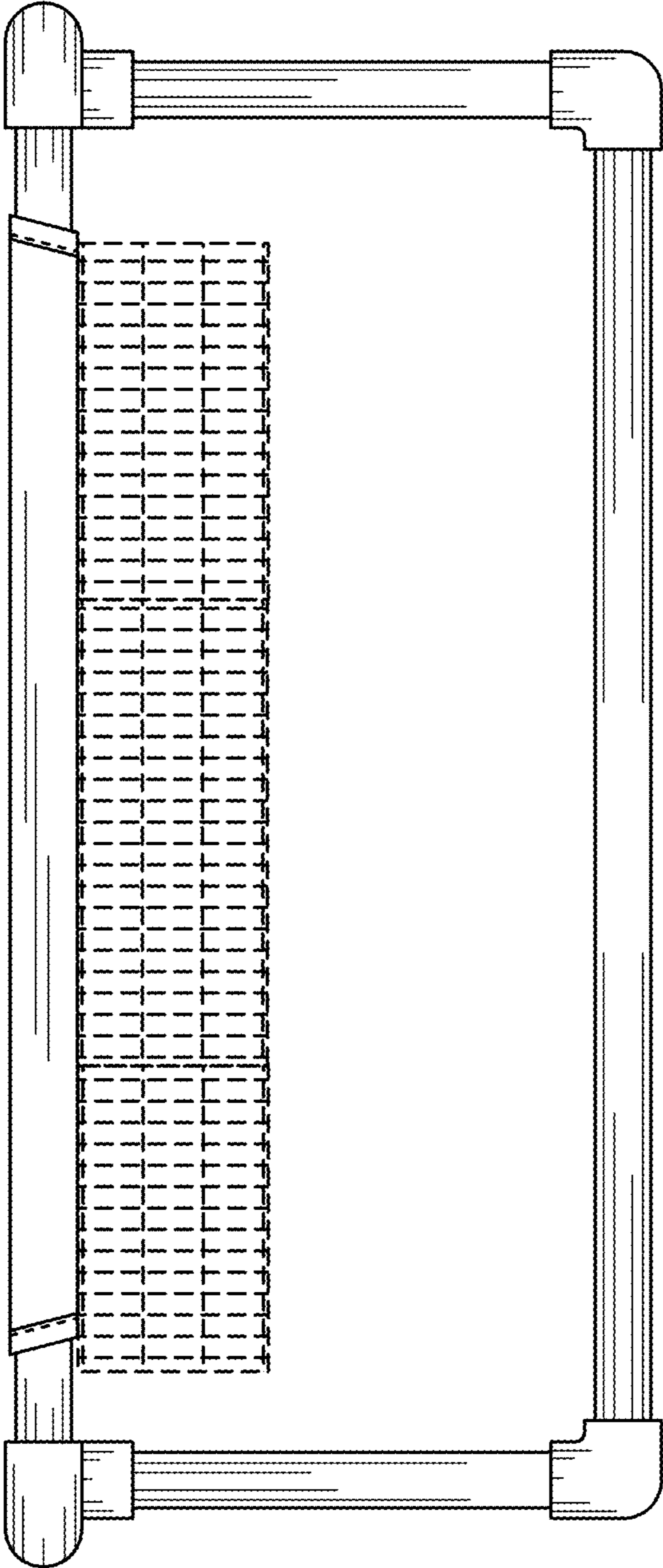


FIG. 7