



US00D868915S

(12) **United States Design Patent** (10) **Patent No.:** **US D868,915 S**
Faucher et al. (45) **Date of Patent:** **** Dec. 3, 2019**

(54) **BLADE HOLDER FOR GOALIE SKATE**
(71) Applicant: **SPORT MASKA INC.**, Montreal (CA)
(72) Inventors: **Alexis Faucher**, Laval (CA); **Philippe Lapierre**, Montreal (CA);
René-Charles Boudreault, Verdun (CA); **Bernard Daoust**, Sutton (CA)
(73) Assignee: **SPORT MASKA INC.**, Montreal, Quebec

8,454,030 B2 * 6/2013 Corbeil A63C 1/303
280/10
D806,194 S * 12/2017 Desrochers D21/761
D836,176 S * 12/2018 Desrochers D21/761
10,376,771 B2 * 8/2019 Rouzier A63C 1/30
2002/0190487 A1 * 12/2002 Blankenburg A63C 1/16
280/11.12
2012/0187642 A1 * 7/2012 Corbeil A63C 1/303
280/11.18
2017/0080323 A1 3/2017 Dubois et al.
2018/0178108 A1 * 6/2018 Labonte A63C 1/32

(**) Term: **15 Years**

Primary Examiner — Cynthia M. Chin
(74) *Attorney, Agent, or Firm* — Norton Rose Fulbright Canada

(21) Appl. No.: **29/629,963**

(22) Filed: **Dec. 18, 2017**

(57) **CLAIM**

(51) **LOC (12) Cl.** **21-02**

We claim the ornamental design for a blade holder for goalie skate, as shown and described.

(52) **U.S. Cl.**
USPC **D21/771**; D21/761

DESCRIPTION

(58) **Field of Classification Search**
USPC D21/760, 761, 762, 771, 772, 776;
280/7.13, 11.12, 11.15, 11.14, 11.17,
280/11.18, 11.223, 11.3, 825, 841
CPC A63C 1/00; A63C 1/30; A63C 1/32; A63C
1/34; A63C 1/40; A63C 3/00; A63C
17/00; A63C 17/18; A63C 17/20
See application file for complete search history.

FIG. 1 is tridimensional view of a skate including a blade holder for goalie skate according to our new design;
FIG. 2 is tridimensional view of the blade holder for goalie skate of FIG. 1;
FIG. 3 is front elevation view thereof;
FIG. 4 is rear elevation view thereof;
FIG. 5 is a first side view thereof;
FIG. 6 is second side view thereof, opposite the first side;
FIG. 7 is a top plan view thereof; and,
FIG. 8 is a bottom plan view thereof.
The broken lines are for the purpose of illustrating portions of the article that form no part of the claimed design.

(56) **References Cited**

U.S. PATENT DOCUMENTS

D424,149 S * 5/2000 Graf D21/761
D488,845 S * 4/2004 Labonte D21/761
D641,060 S * 7/2011 Boucher D21/771

1 Claim, 4 Drawing Sheets

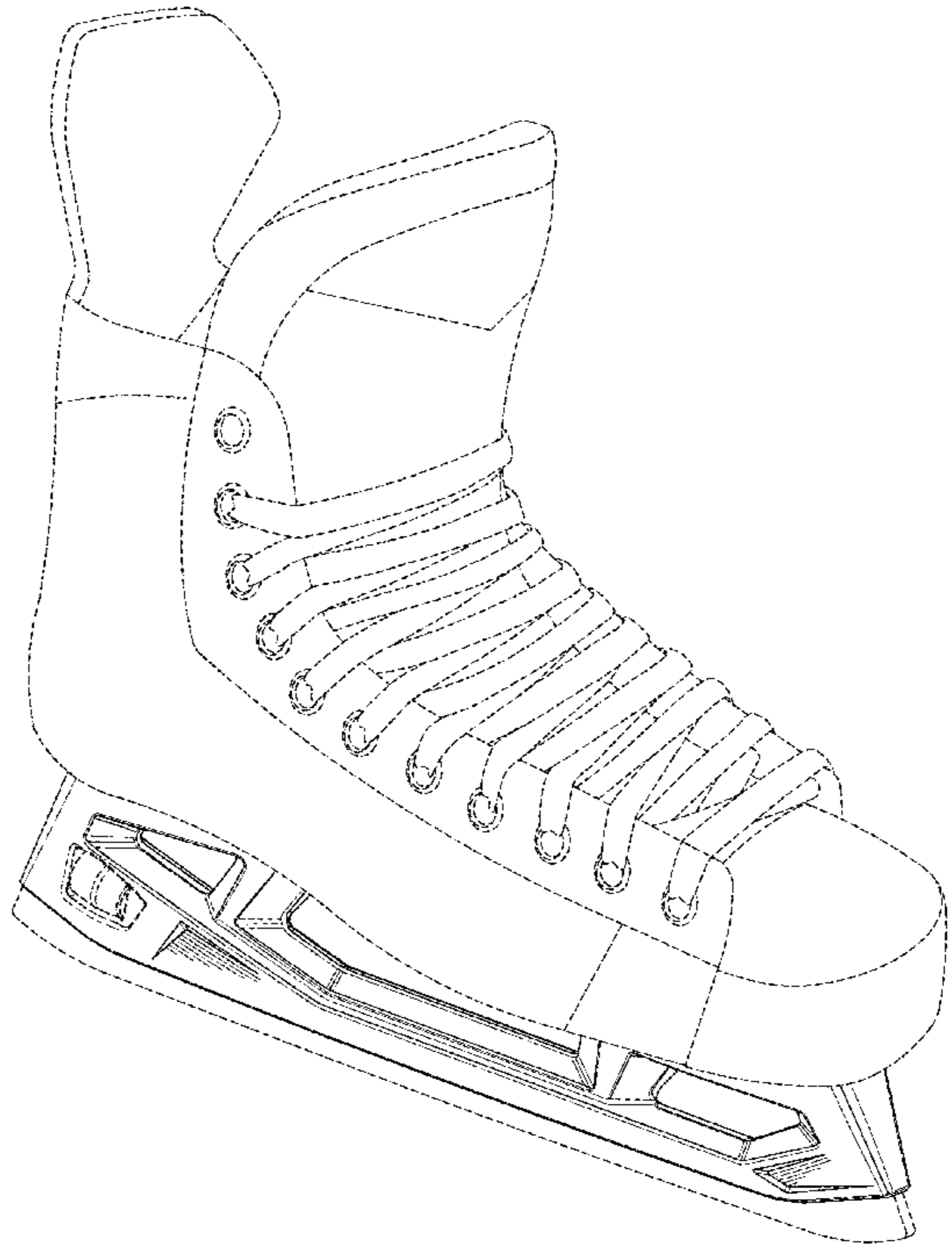




FIG. 1

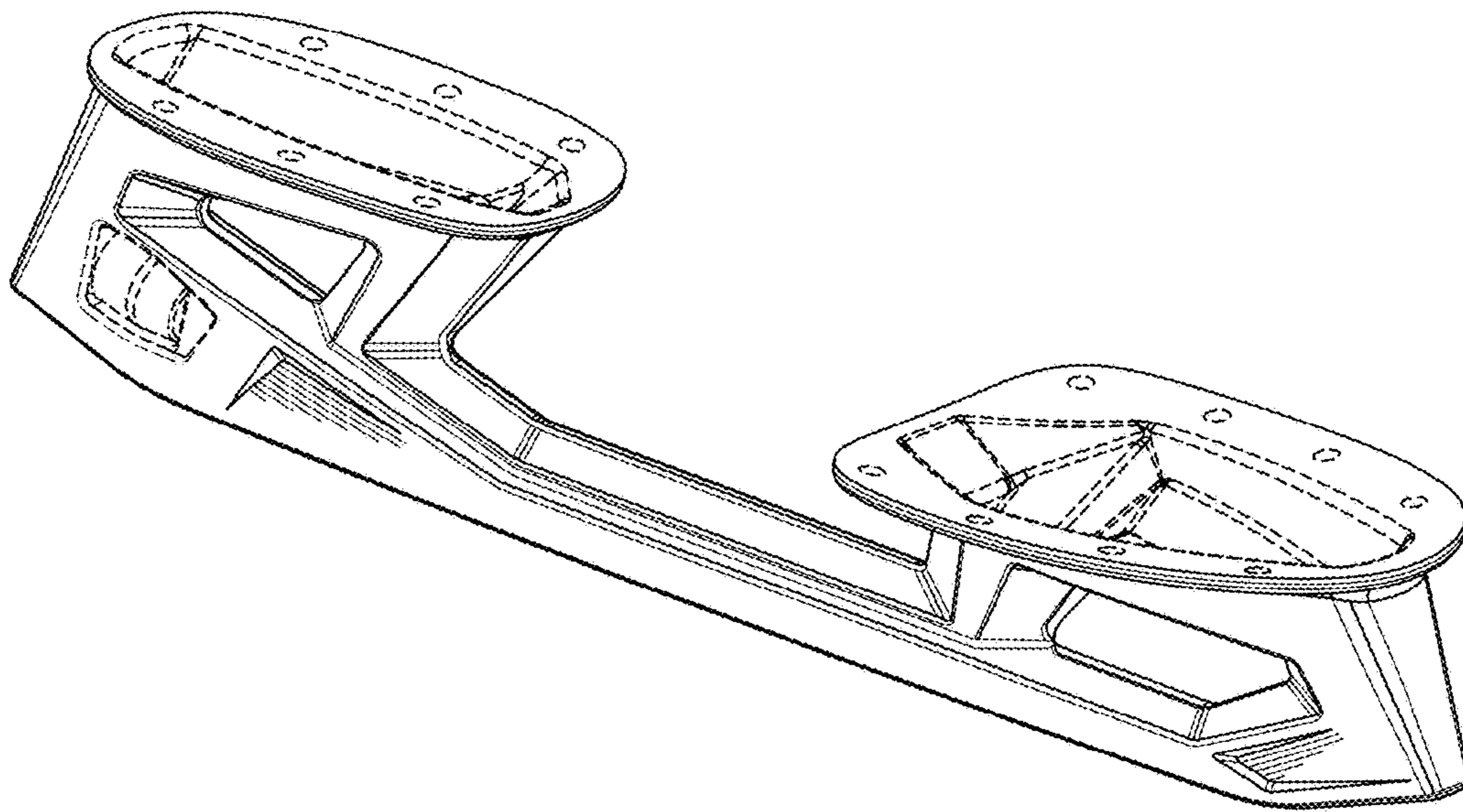


FIG. 2

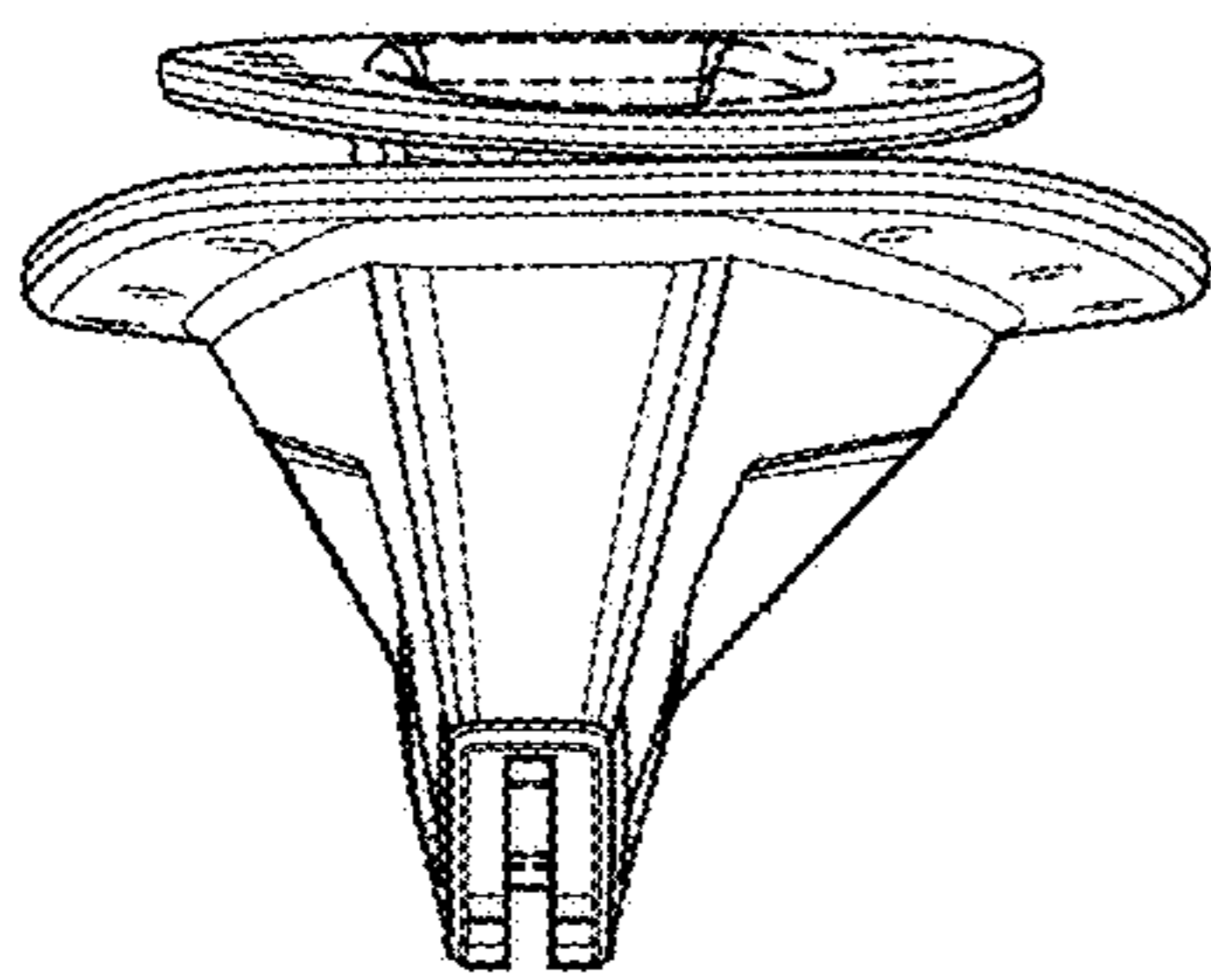


FIG. 3

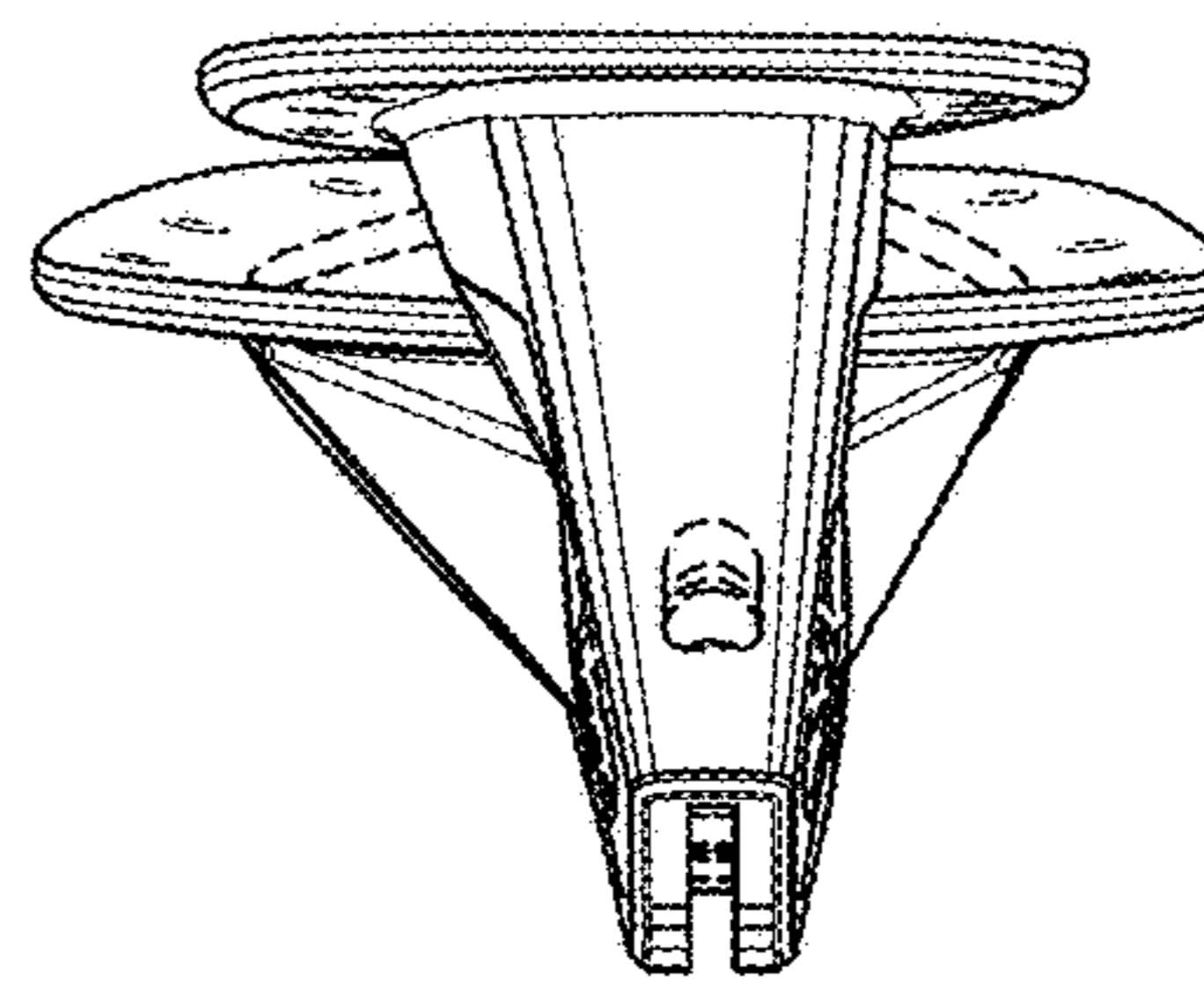


FIG. 4

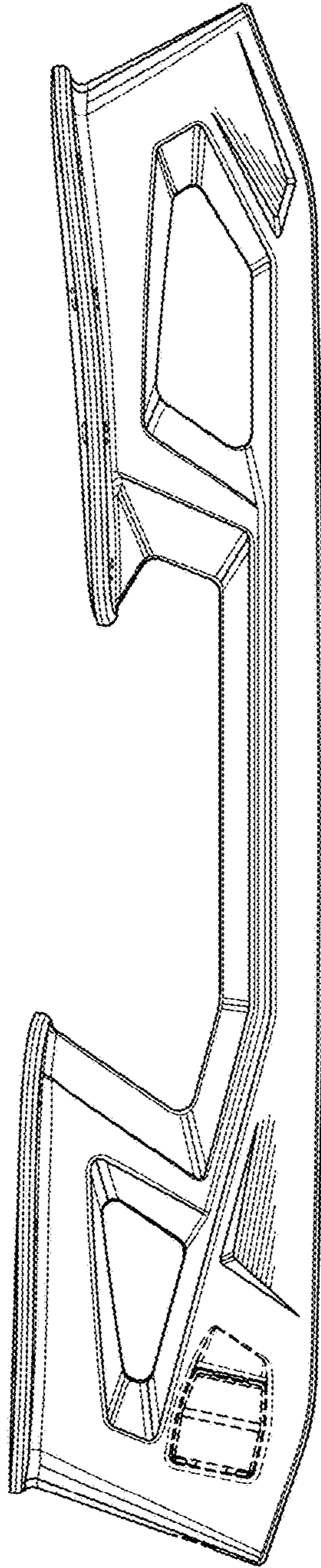


FIG. 5

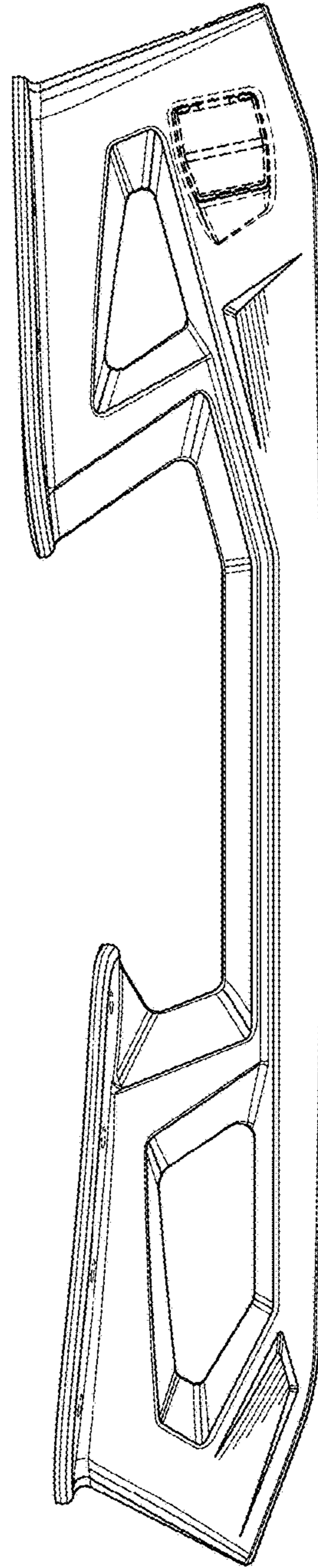


FIG. 6

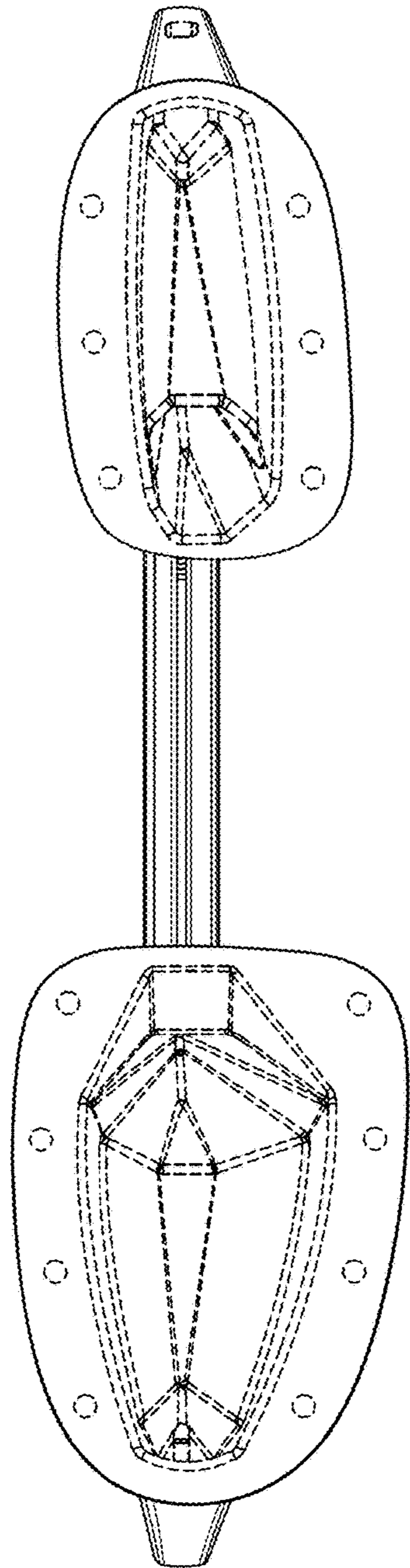


FIG. 7

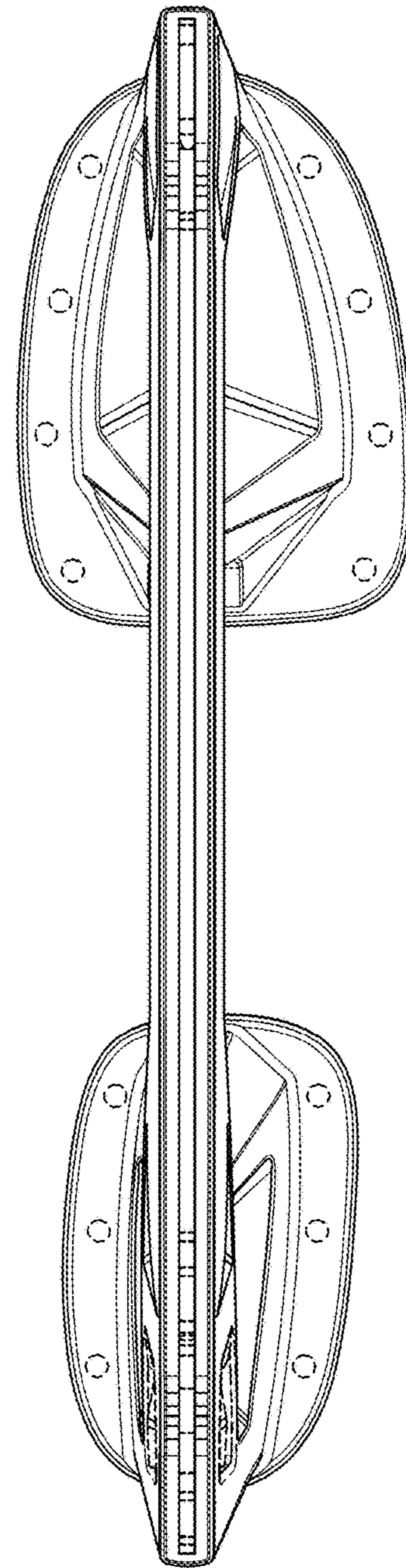


FIG. 8