



US00D868914S

(12) **United States Design Patent**  
**Kivini**

(10) **Patent No.:** **US D868,914 S**

(45) **Date of Patent:** **\*\* Dec. 3, 2019**

(54) **GOLF TRAINING DEVICE**

(71) Applicant: **Tapani Kivini**, Tampere (FI)

(72) Inventor: **Tapani Kivini**, Tampere (FI)

(\*\*) Term: **15 Years**

(21) Appl. No.: **35/504,560**

(22) Filed: **Sep. 16, 2017**

(80) **Hague Agreement Data**

Int. Filing Date: **Sep. 16, 2017**

Int. Reg. No.: **DM/099880**

Int. Reg. Date: **Sep. 16, 2017**

Int. Reg. Pub. Date: **Mar. 9, 2018**

(51) **LOC (12) Cl.** ..... **21-02**

(52) **U.S. Cl.**  
USPC ..... **D21/753**

(58) **Field of Classification Search**

USPC ..... D21/753, 789, 791

CPC .... A63B 2053/0491; A63B 2053/0495; A63B

69/36; A63B 69/3623; A63B 69/3632;

A63B 69/3635; A63B 69/3638

See application file for complete search history.

(56) **References Cited**

U.S. PATENT DOCUMENTS

D169,880 S \* 6/1953 Williams ..... 473/256

D237,515 S \* 11/1975 Thiel ..... D21/680

D415,231 S \* 10/1999 Bourque ..... A63B 53/04

D426,607 S \* 6/2000 Wurster ..... A63B 15/00

D490,492 S \* 5/2004 Nemeckay ..... A63B 69/3638

D617,861 S \* 6/2010 Miki ..... D21/791

D617,861 S \* 6/2010 Miki ..... D21/753

D697,991 S \* 1/2014 Ramirez ..... D21/791  
2002/0072427 A1 \* 6/2002 Chang ..... A63B 15/00  
473/219  
2003/0130057 A1 \* 7/2003 Rodgers ..... A63B 15/00  
473/297  
2004/0009826 A1 \* 1/2004 Aisenberg ..... A63B 15/00  
473/256  
2012/0149483 A1 \* 6/2012 Donahue ..... A63B 69/3623  
473/231  
2013/0053162 A1 \* 2/2013 Marrero ..... A63B 69/3638  
473/256  
2014/0086705 A1 \* 3/2014 Dawson ..... A63B 53/04  
411/393

\* cited by examiner

*Primary Examiner* — George D. Kirschbaum

*Assistant Examiner* — Joseph J Kukella

(57) **CLAIM**

The ornamental design for a golf training device, as shown and described.

**DESCRIPTION**

1. Golf training device

The golf head design is made for easy adjustment of weight to make over speed training to improve swing speed; it has an underweight head with extra weight parts to add and adjust.

Figure 1.1 is a perspective view

Figure 1.2 is a perspective view

Figure 1.3 is a side view

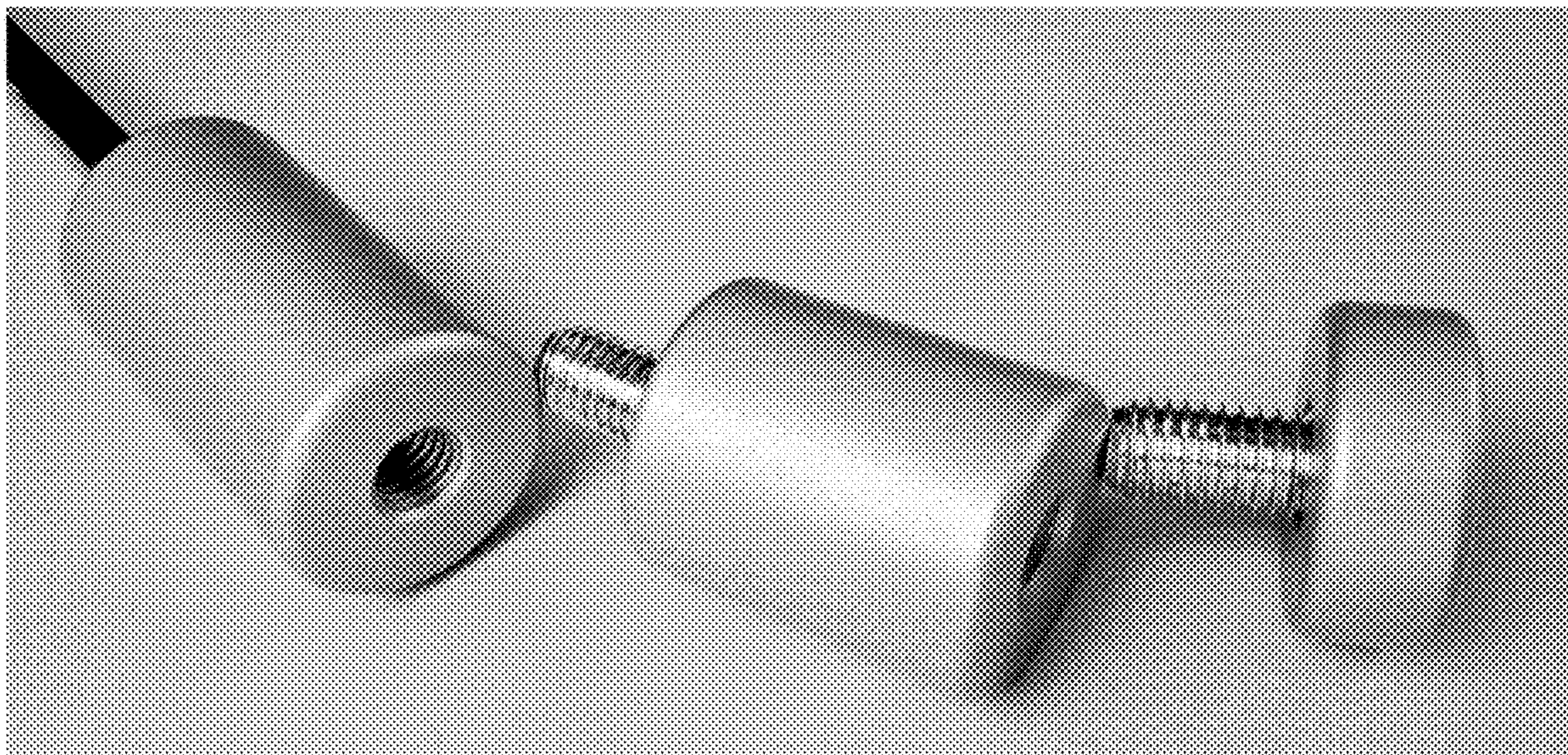
Figure 1.4 is a side view

Figure 1.5 is a side view

Figure 1.6 is a side view

In all of the views the golf club shaft, including cone at the end of the shaft and the grip, forms no part of the claimed design.

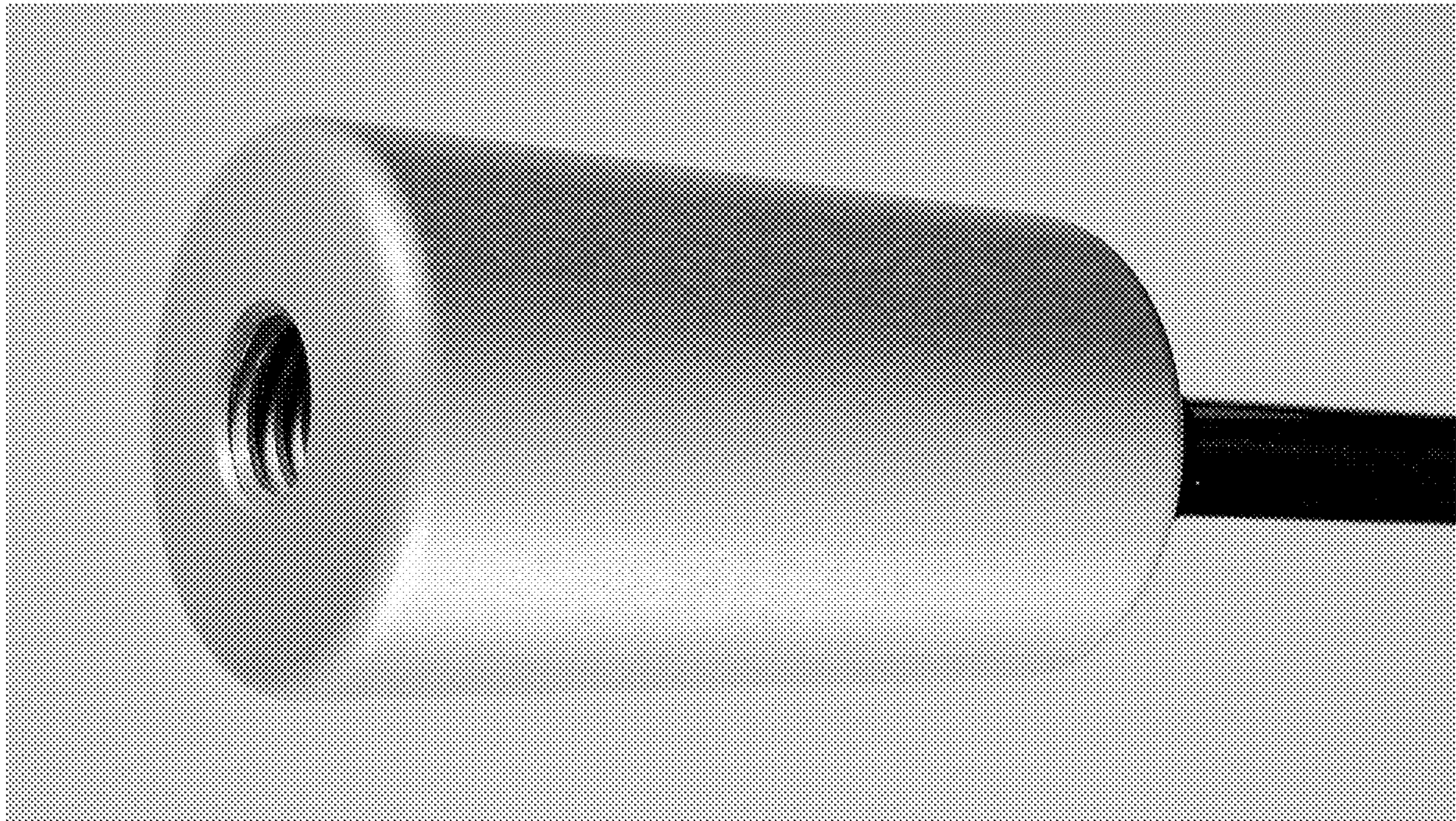
**1 Claim, 6 Drawing Sheets**



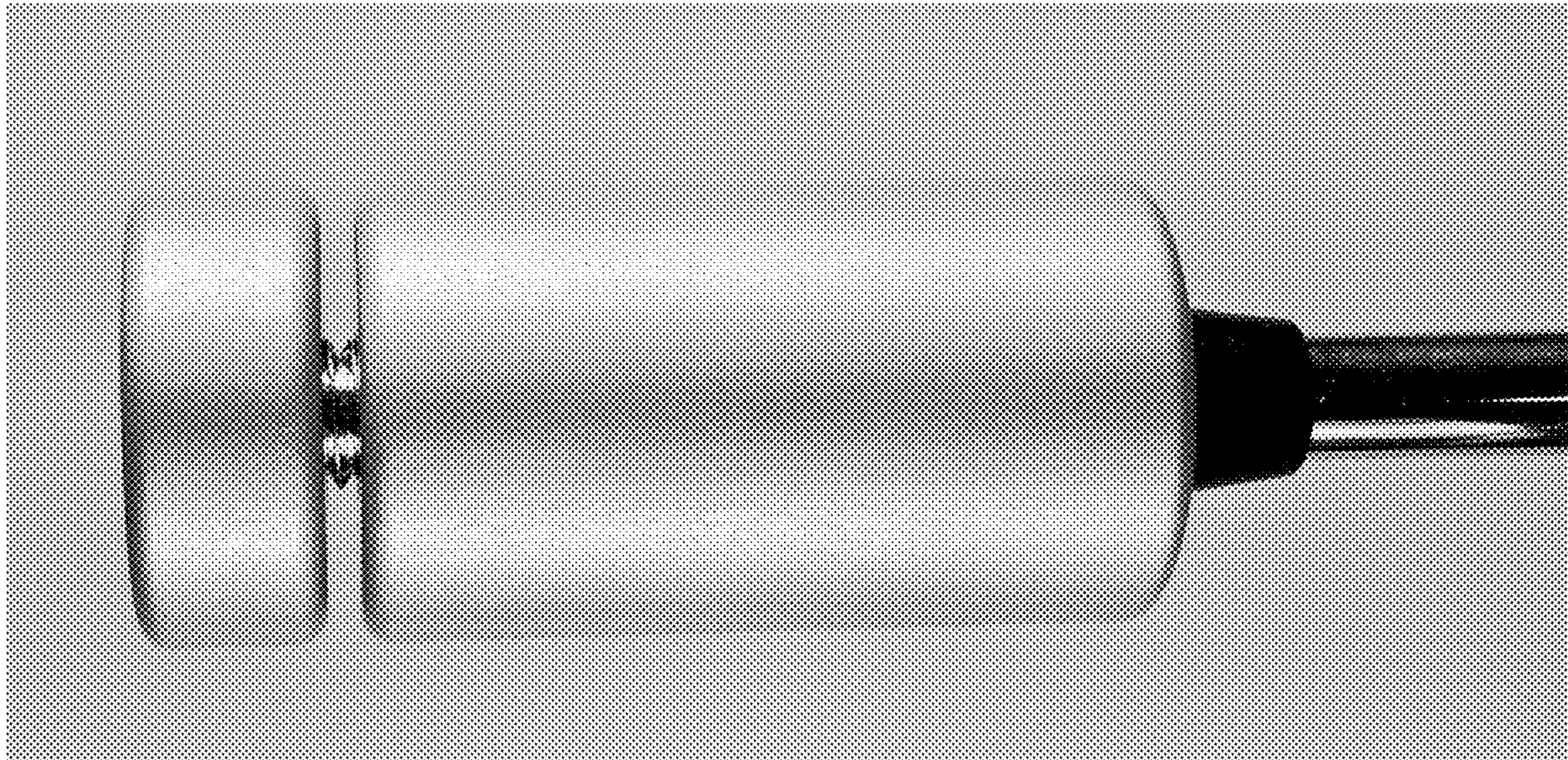
1.1



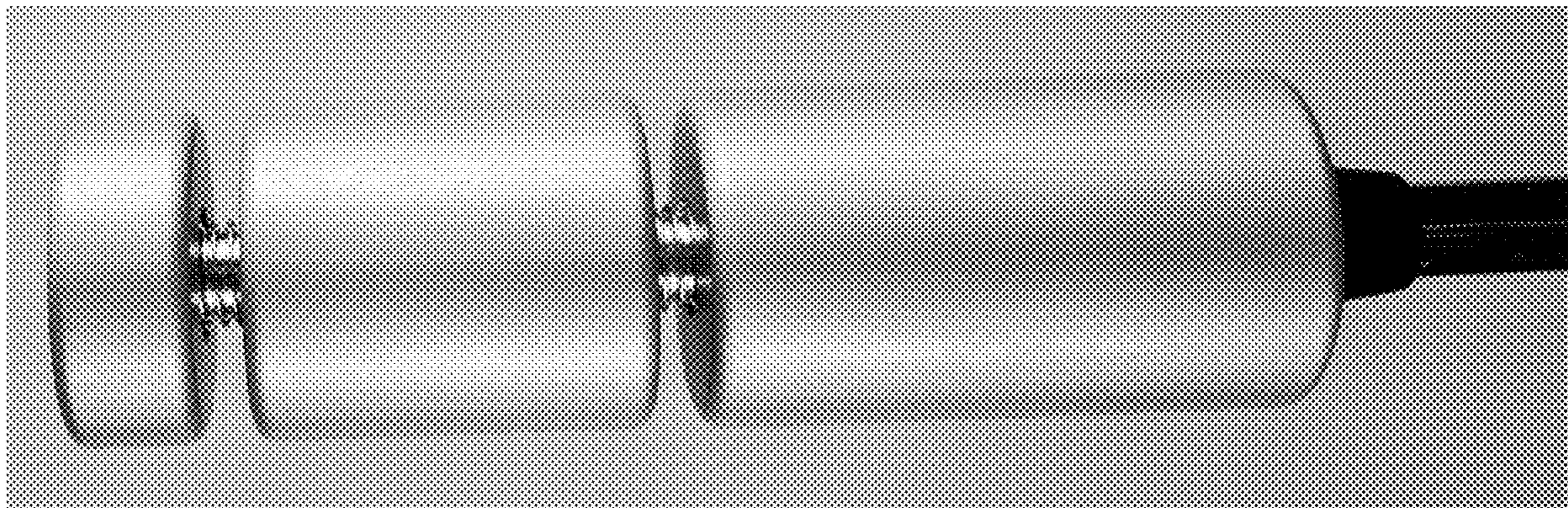
1.2



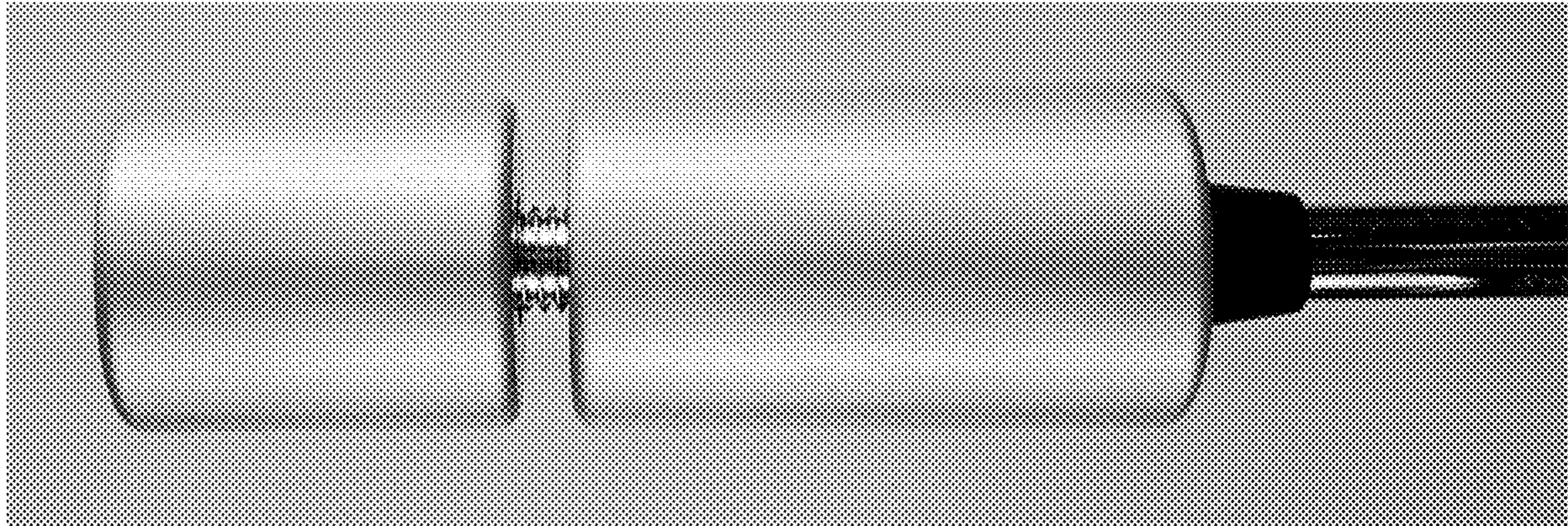
1.3



1.4



1.5



1.6

