



US00D868913S

(12) **United States Design Patent**
Hocknull

(10) **Patent No.:** **US D868,913 S**

(45) **Date of Patent:** **** Dec. 3, 2019**

(54) **GOLF PUTTER HEAD**

(71) Applicant: **John C. Hocknull**, Gilbert, AZ (US)

(72) Inventor: **John C. Hocknull**, Gilbert, AZ (US)

(**) Term: **15 Years**

(21) Appl. No.: **29/646,502**

(22) Filed: **May 4, 2018**

(51) **LOC (12) Cl.** **21-02**

(52) **U.S. Cl.**
USPC **D21/742**

(58) **Field of Classification Search**
USPC D21/736-746
CPC A63B 53/00; A63B 53/04; A63B 53/007;
A63B 53/065; A63B 53/0487; A63B
60/00; A63B 60/46

See application file for complete search history.

(56) **References Cited**

U.S. PATENT DOCUMENTS

D202,715 S *	11/1965	Solheim	D21/743
4,852,880 A	8/1989	Kobayashi		
D318,893 S *	8/1991	Antonious	D21/740
D322,112 S *	12/1991	Kastenhuber	D21/740
D322,646 S *	12/1991	Antonious	D21/740
D329,480 S *	9/1992	Antonious	D21/740
5,655,976 A *	8/1997	Rife	A63B 53/04 473/340
5,842,935 A	12/1998	Nelson		
6,641,487 B1	11/2003	Hamburger		
D524,387 S *	7/2006	Burrows	D21/736
D529,110 S *	9/2006	Hueber	D21/746
D537,134 S *	2/2007	Imamoto	D21/736
D539,370 S *	3/2007	Imamoto	D21/736

D541,894 S *	5/2007	Imamoto	D21/736
D599,867 S *	9/2009	Teramoto	D21/736
D607,951 S *	1/2010	Teramoto	D21/736
D791,891 S *	7/2017	Davis	D21/736
D794,146 S *	8/2017	Davis	D21/736

* cited by examiner

Primary Examiner — Mitchell I. Siegel

(74) *Attorney, Agent, or Firm* — Sandberg Phoenix & von Gontard PC

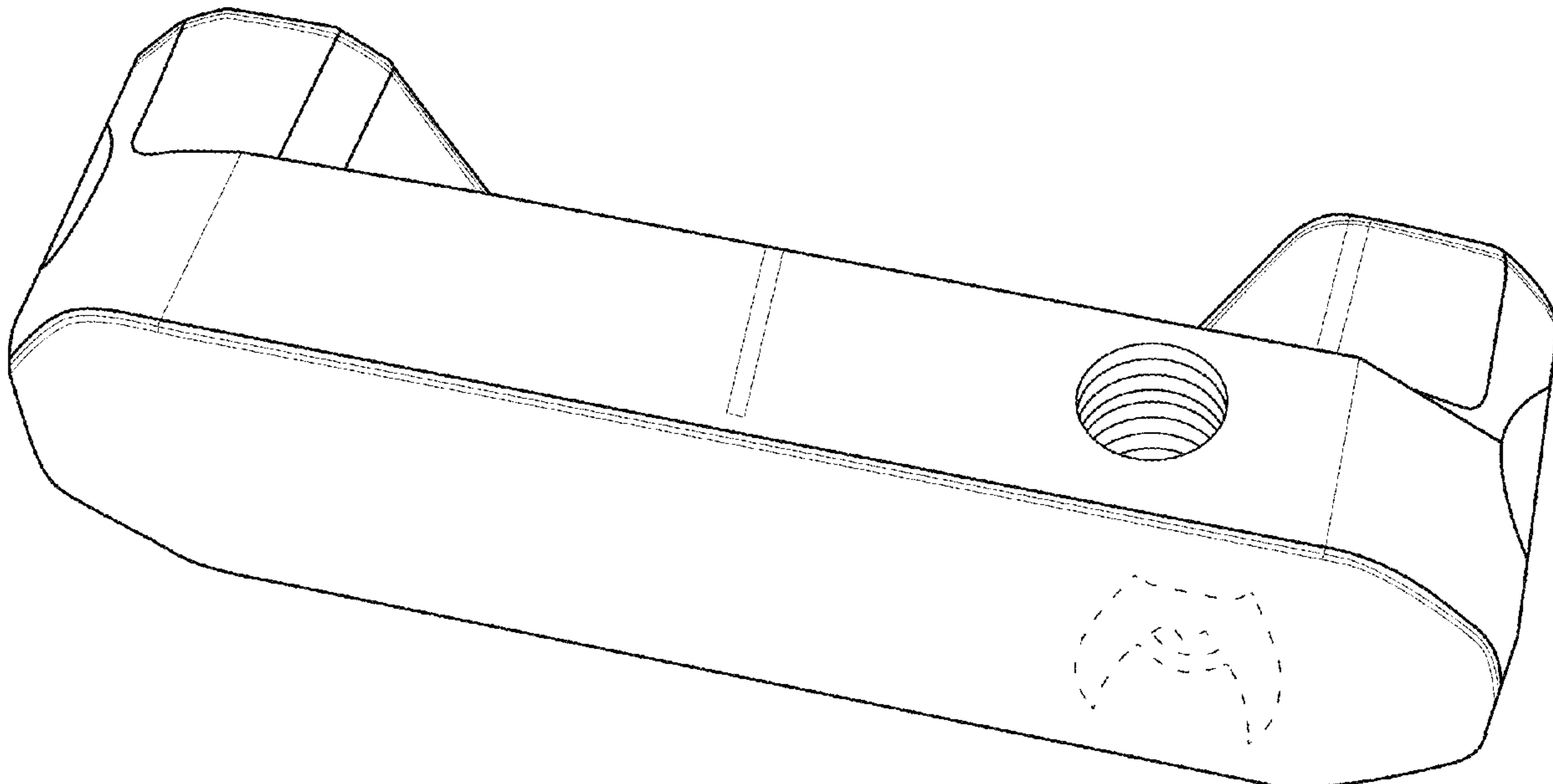
(57) **CLAIM**

The ornamental design for a golf putter head, as shown and described.

DESCRIPTION

FIG. 1 is a perspective view of the ball striking face of golf putter head showing my new design including a shaft partly broken away, the shaft not forming a part of the design; FIG. 2 is a perspective of the side opposite the ball striking face of the golf putter head shown in FIG. 1; FIG. 3 is a top plan view of the golf putter head shown in FIG. 1; FIG. 4 is a view in perspective showing the top and player facing side wall of the golf putter head shown in FIG. 1 with the shaft of the club removed; FIG. 5 is a view in perspective showing the top and opposite side wall of the view shown in FIG. 4 with the shaft of the club removed; and, FIG. 6 is bottom plan view in perspective of the bottom side wall of the golf putter head shown in FIG. 1. The broken lines shown are included for the purpose of illustrating unclaimed subject matter and forms no part of the claimed design.

1 Claim, 6 Drawing Sheets



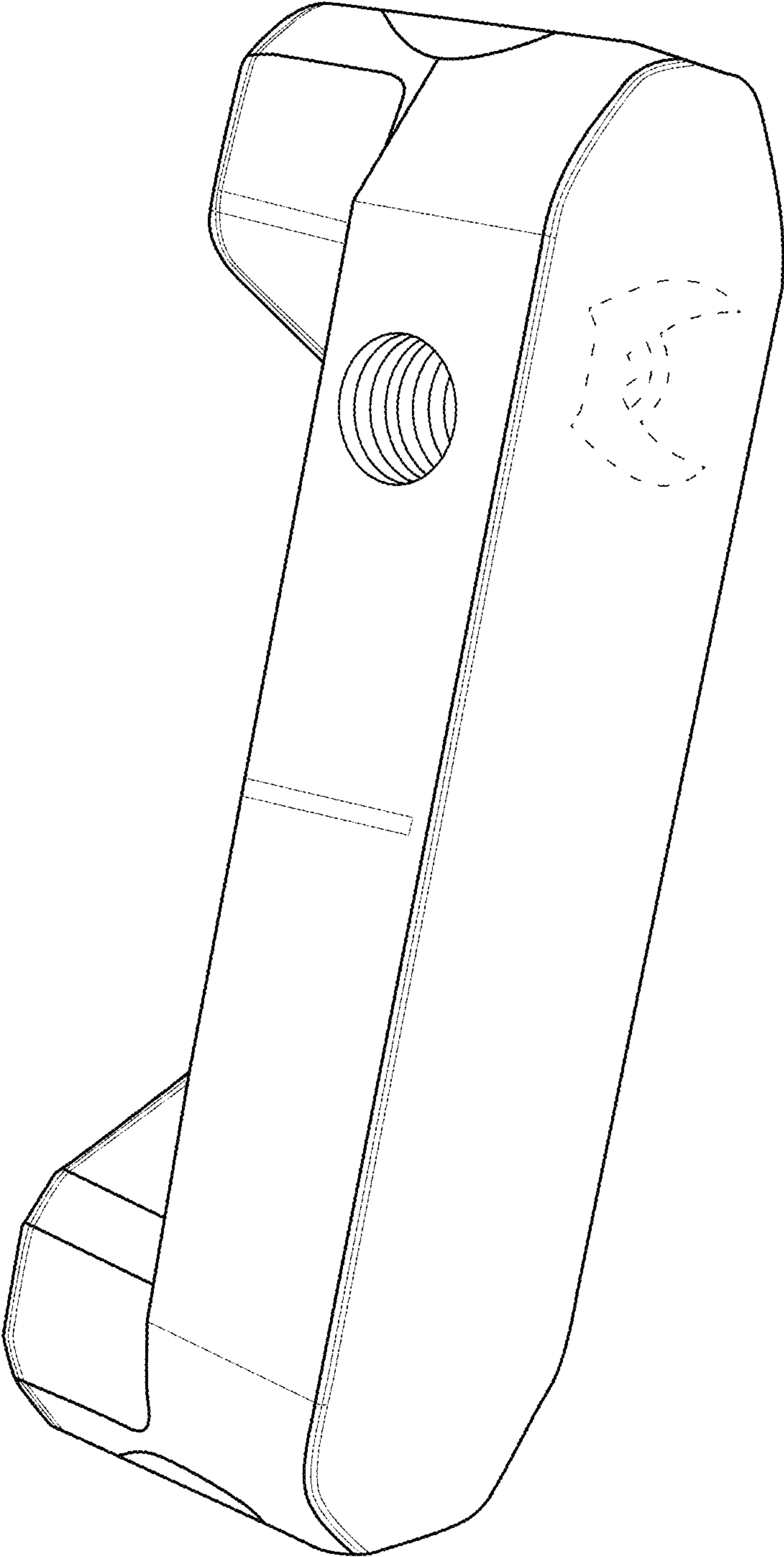


FIG. 1

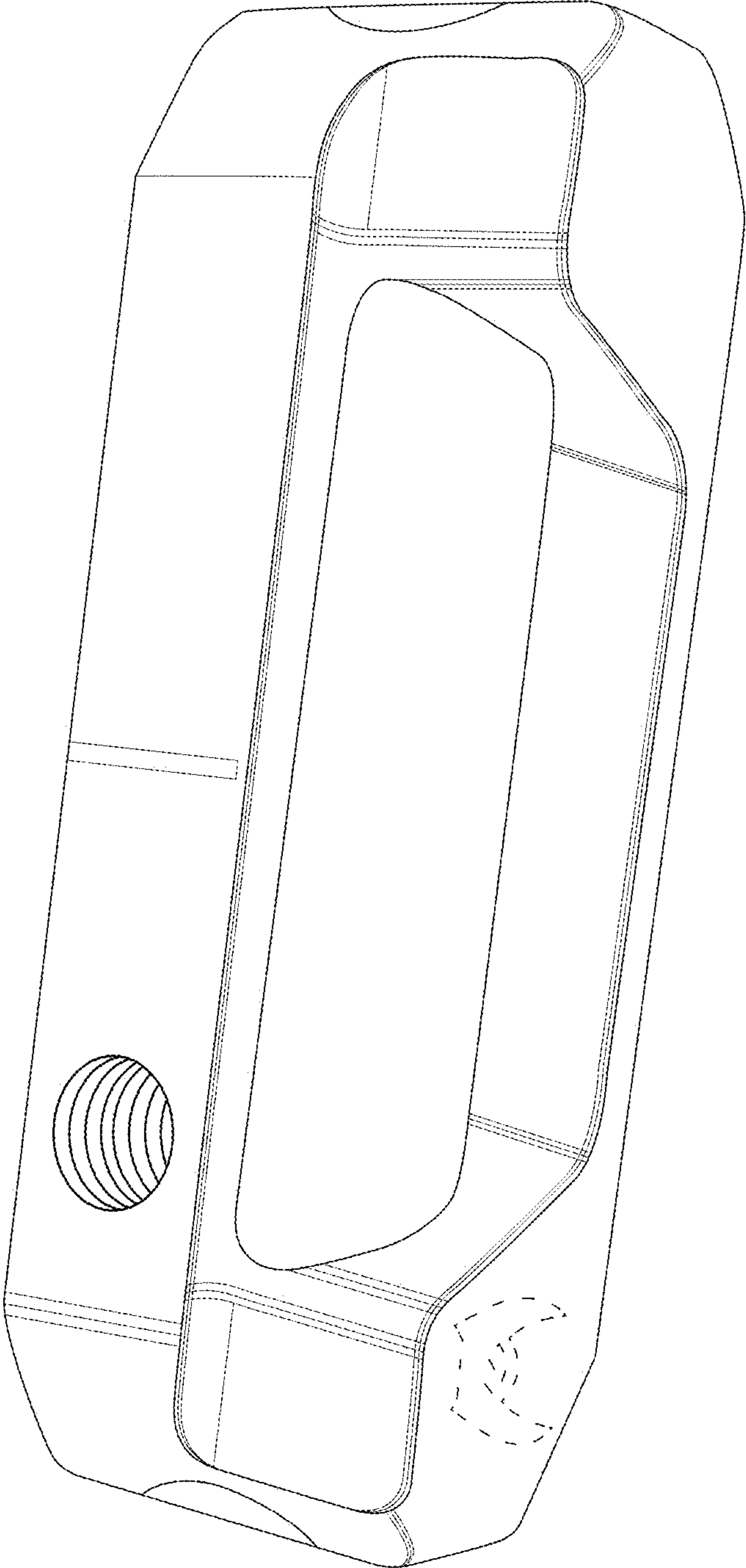


FIG. 2

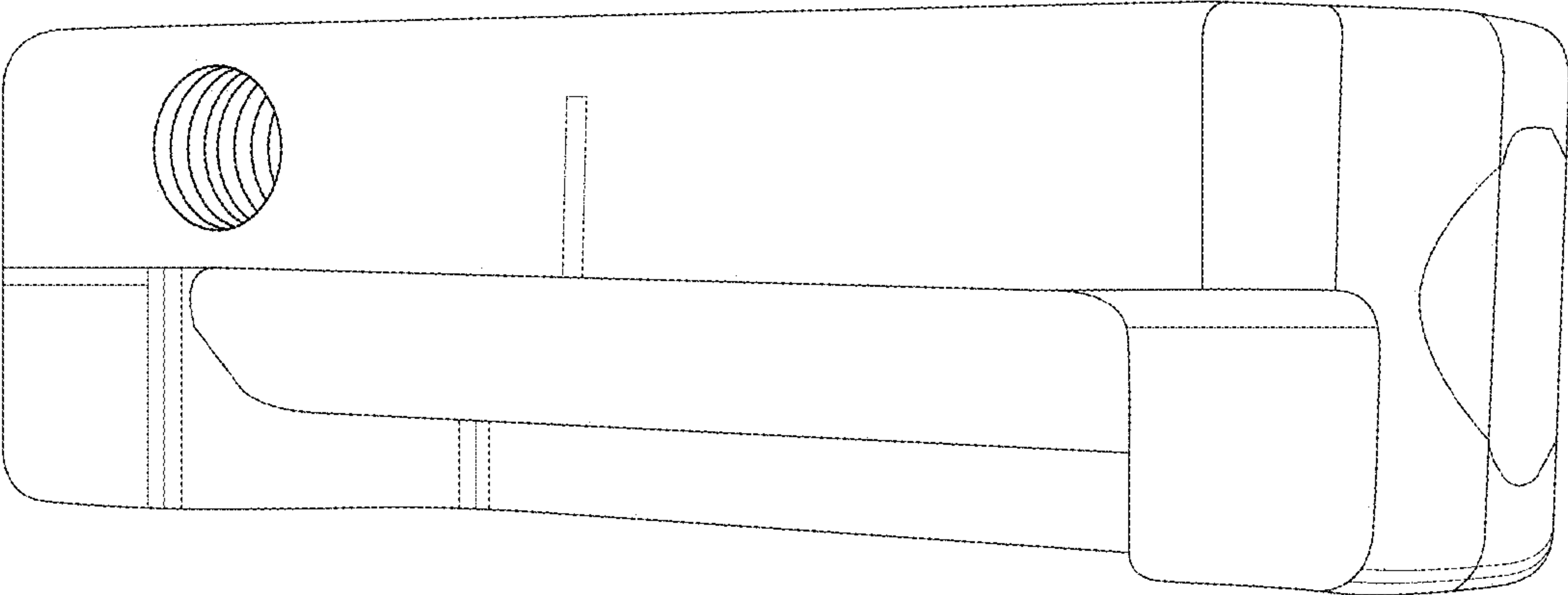


FIG. 3

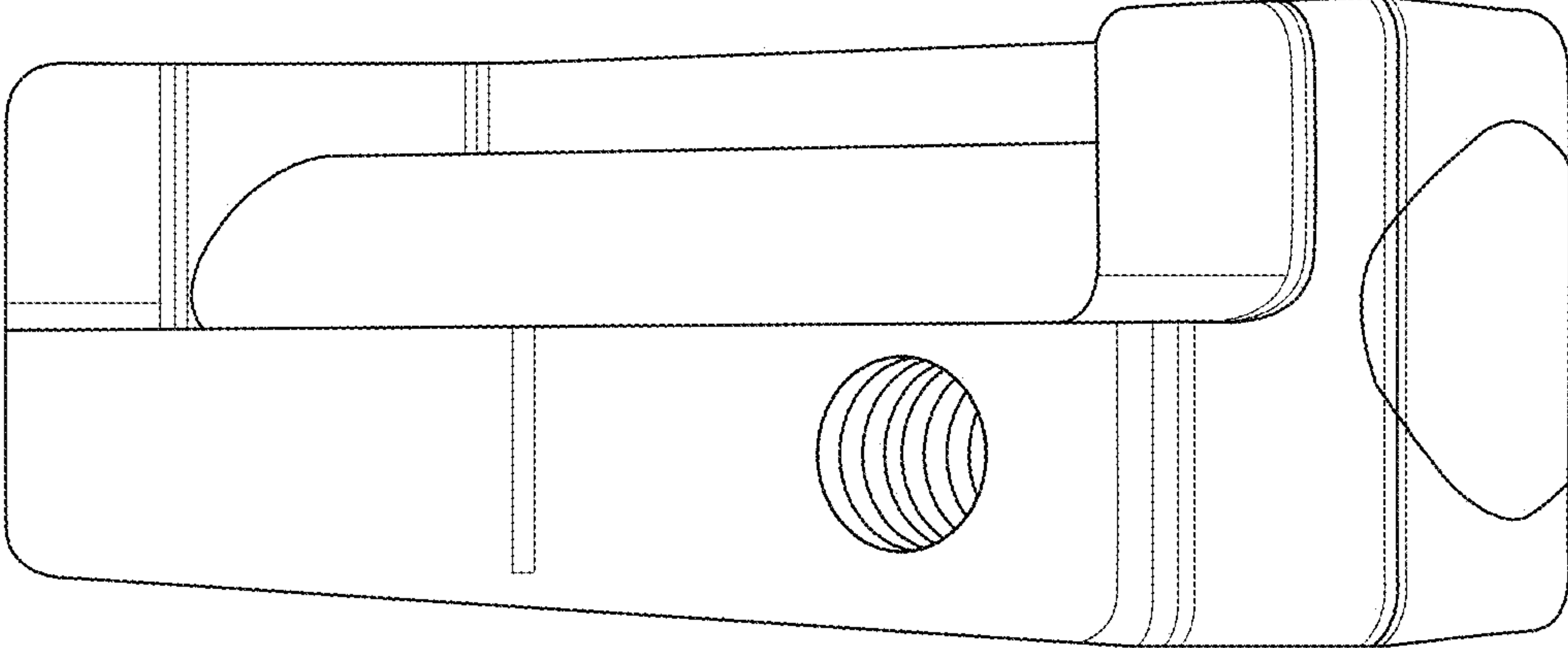


FIG. 4

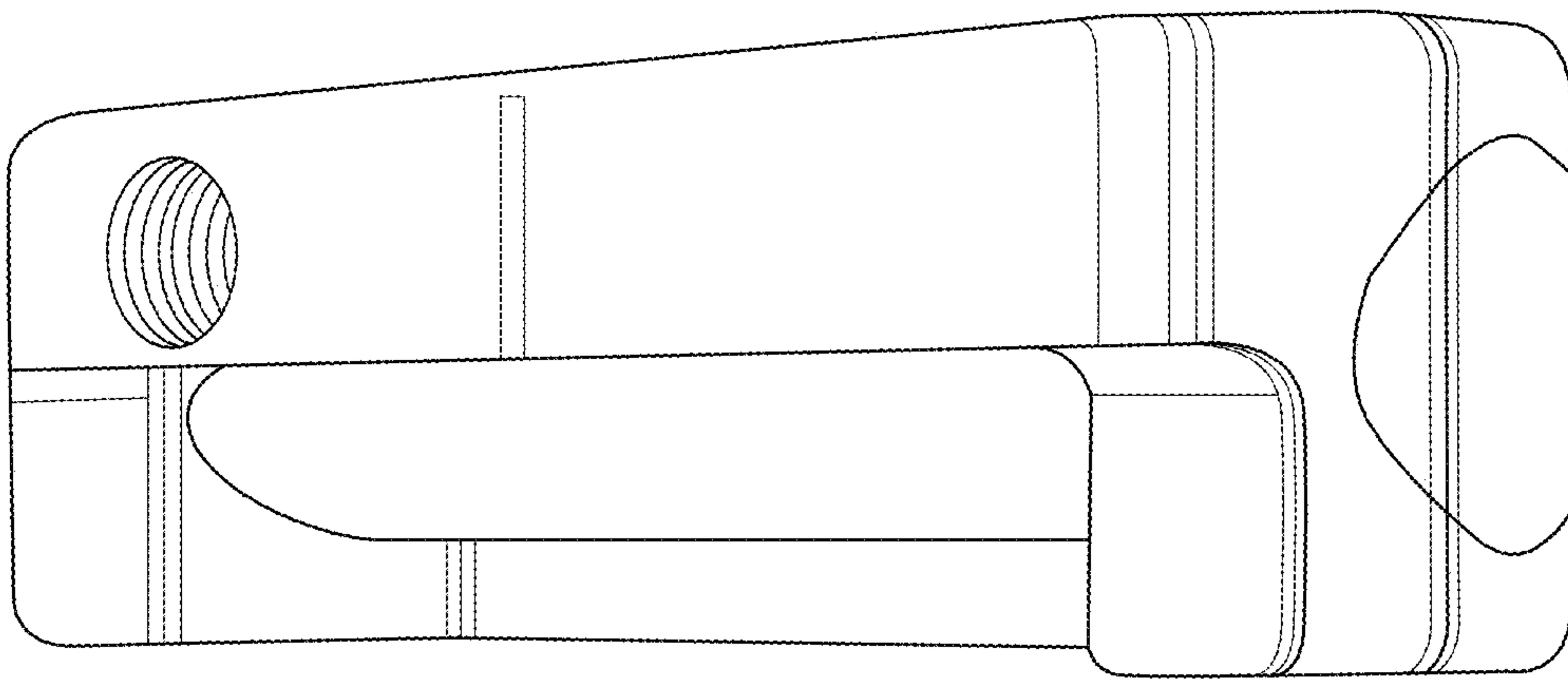


FIG. 5

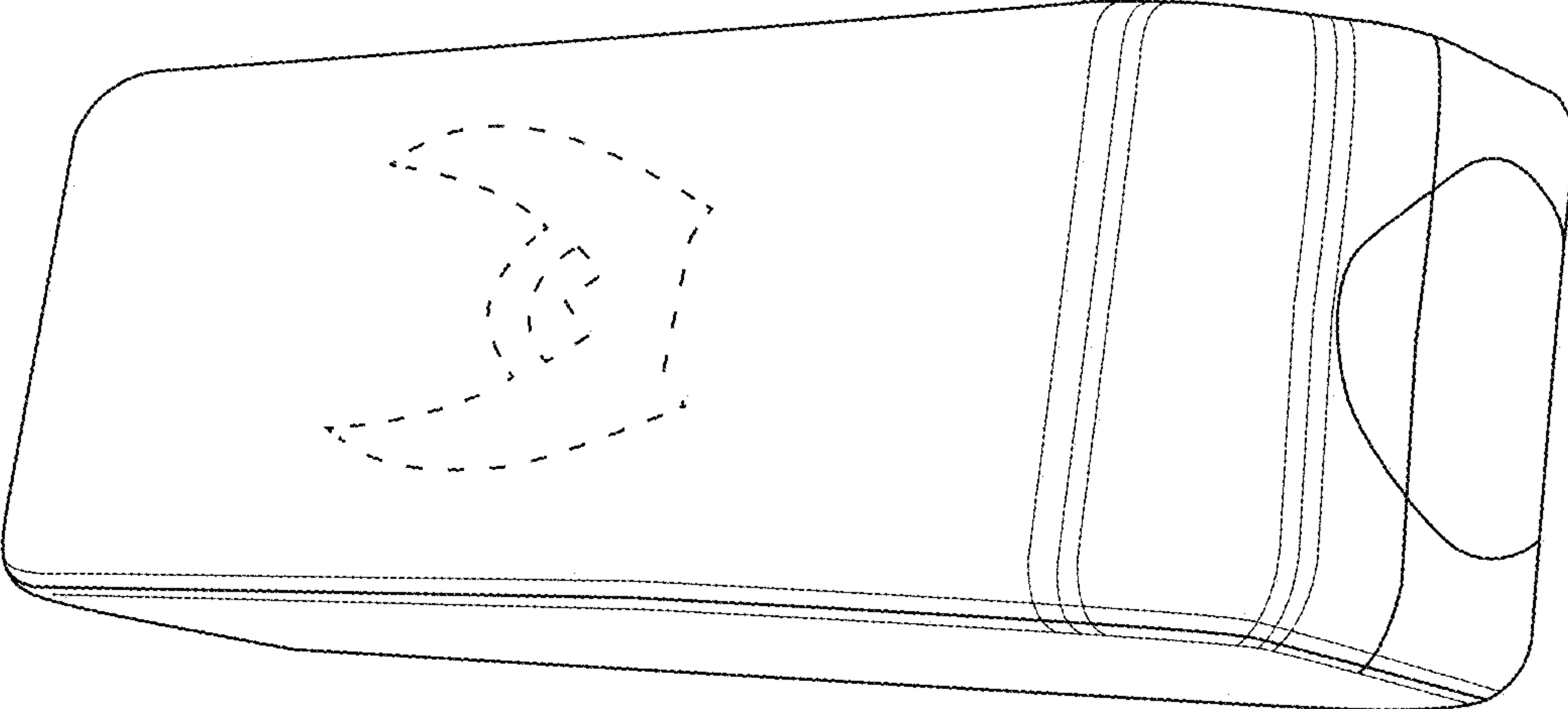


FIG. 6