



US00D868911S

(12) **United States Design Patent** (10) **Patent No.:** **US D868,911 S**  
**Rogers** (45) **Date of Patent:** **\*\* Dec. 3, 2019**

(54) **CALISTHENICS EXERCISE MACHINE**

(71) Applicant: **Kim Rogers**, Bothell, WA (US)

(72) Inventor: **Kim Rogers**, Bothell, WA (US)

(\*\*) Term: **15 Years**

(21) Appl. No.: **29/610,933**

(22) Filed: **Jul. 17, 2017**

D212,193 S \* 9/1968 Rudy ..... D21/539  
3,857,561 A \* 12/1974 Cecchetti ..... A63B 21/00047  
482/142  
D265,575 S \* 7/1982 Lunford ..... D21/691

(Continued)

**OTHER PUBLICATIONS**

Stamina by Fitness Factory Outlet dated no date given. Found online [Jan. 22, 2019] [https://www.fitnessfactoryoutlet.com/Stamina-X-Warrior.html?utm\\_source=google-shopping&utm\\_medium=organic&gclid=Cj0KCQiAm5viBRD4ARIsADGUT25TL8-eywR\\_gVP5IOW3DypLCmrCwht7S2XgTHIJg463CO96-ewgmxaAIOgEALw\\_wcB](https://www.fitnessfactoryoutlet.com/Stamina-X-Warrior.html?utm_source=google-shopping&utm_medium=organic&gclid=Cj0KCQiAm5viBRD4ARIsADGUT25TL8-eywR_gVP5IOW3DypLCmrCwht7S2XgTHIJg463CO96-ewgmxaAIOgEALw_wcB).\*

*Primary Examiner* — Ryan Harvey

(74) *Attorney, Agent, or Firm* — Dean A. Crane, P.S.

**Related U.S. Application Data**

(63) Continuation-in-part of application No. 13/907,067, filed on May 31, 2013, now Pat. No. 9,713,745.

(51) **LOC (12) Cl.** ..... **21-02**

(52) **U.S. Cl.**  
USPC ..... **D21/691**

(58) **Field of Classification Search**

USPC ..... D6/656.1, 552, 549, 548; D21/827, 826, D21/797, 694, 691, 690, 686, 679, 673, D21/665, 662; 482/96, 95, 94, 93, 92, 482/87, 8, 77, 41, 40, 38, 36, 35, 2, 148, 482/147, 144, 142, 141, 140, 135, 133, 482/132, 130, 128, 104, 101; 472/136, 472/118  
CPC ..... A63B 21/4035; A63B 21/0552; A63B 23/0211; A63B 2210/50; A63B 21/4047; A63B 23/12; A63B 21/068; A63B 21/154; A63B 2208/0204; A63B 23/1236; A63B 21/00047; A63B 23/1218; A63B 23/1227; A63B 1/00

See application file for complete search history.

(57) **CLAIM**

The ornamental design for a calisthenics exercise machine, as shown and described.

**DESCRIPTION**

FIG. 1 is a side perspective view of a calisthenics exercise machine in a typical operating position.  
FIG. 2 is a right side elevational view of the calisthenics exercise machine shown in FIG. 1.  
FIG. 3 is a left side elevational view of the calisthenics exercise machine shown in FIG. 1.  
FIG. 4 is a rear elevational view of the calisthenics exercise machine shown in FIG. 1.  
FIG. 5 is a front elevational view of the calisthenics exercise machine shown in FIG. 1.  
FIG. 6 is a bottom plan view of the calisthenics exercise machine shown in FIG. 1 in a folded, closed position with the side member aligned in a parallel configuration.  
FIG. 7 is a top plan view of the calisthenics exercise machine shown in FIG. 6.  
FIG. 8 is a top plan view of the calisthenics exercise machine shown in FIG. 1 with the two side members rotated outward; and,

(Continued)

(56) **References Cited**

**U.S. PATENT DOCUMENTS**

2,673,737 A \* 3/1954 Daniels ..... A63B 21/00072  
482/130  
3,006,643 A \* 10/1961 Ryan ..... A61G 13/009  
273/DIG. 6

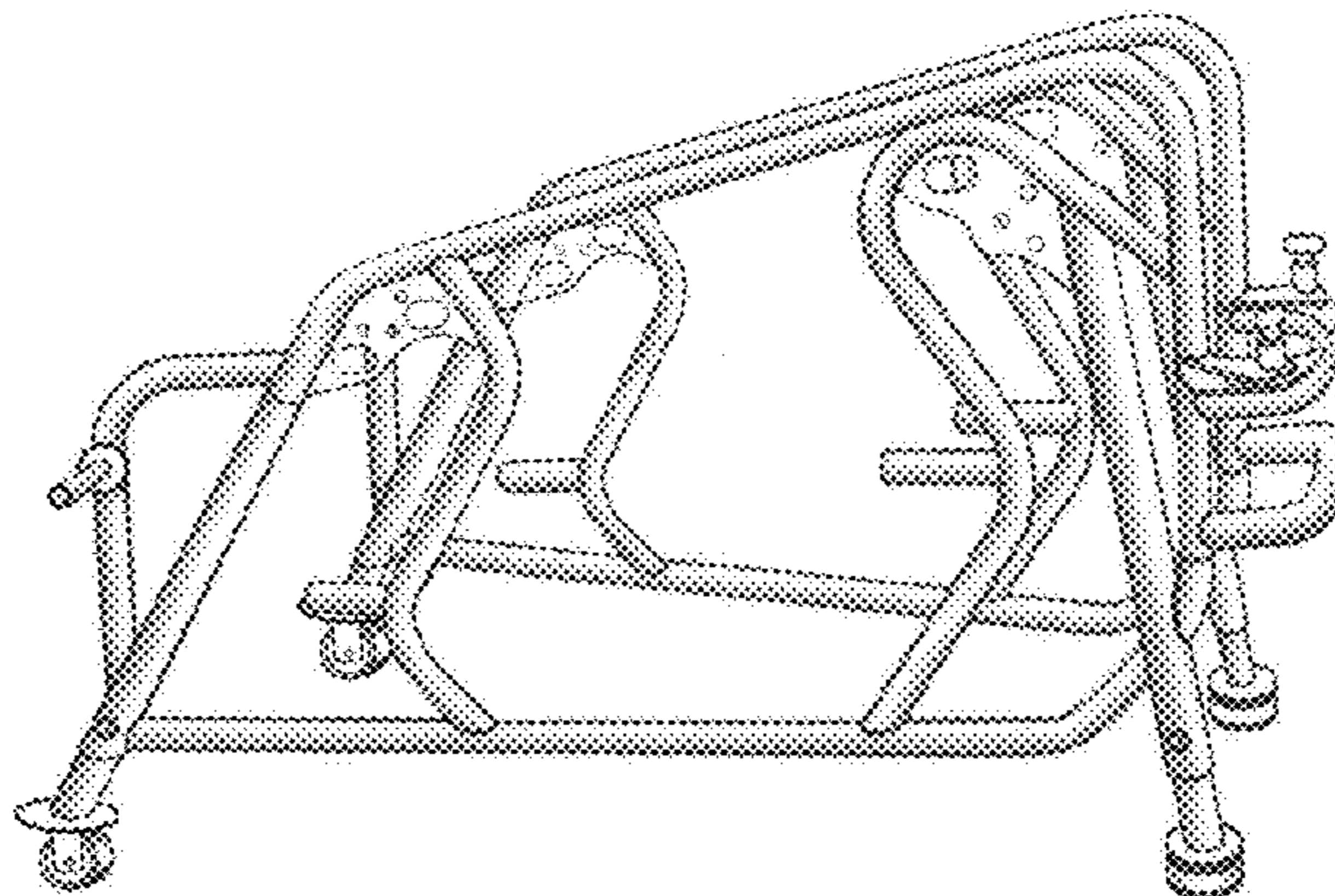


FIG. 9 is a top plan view of the calisthenics exercise machine shown in FIG. 7 with the two side members rotated in an offset configuration for compact storage.

1 Claim, 9 Drawing Sheets

(56)

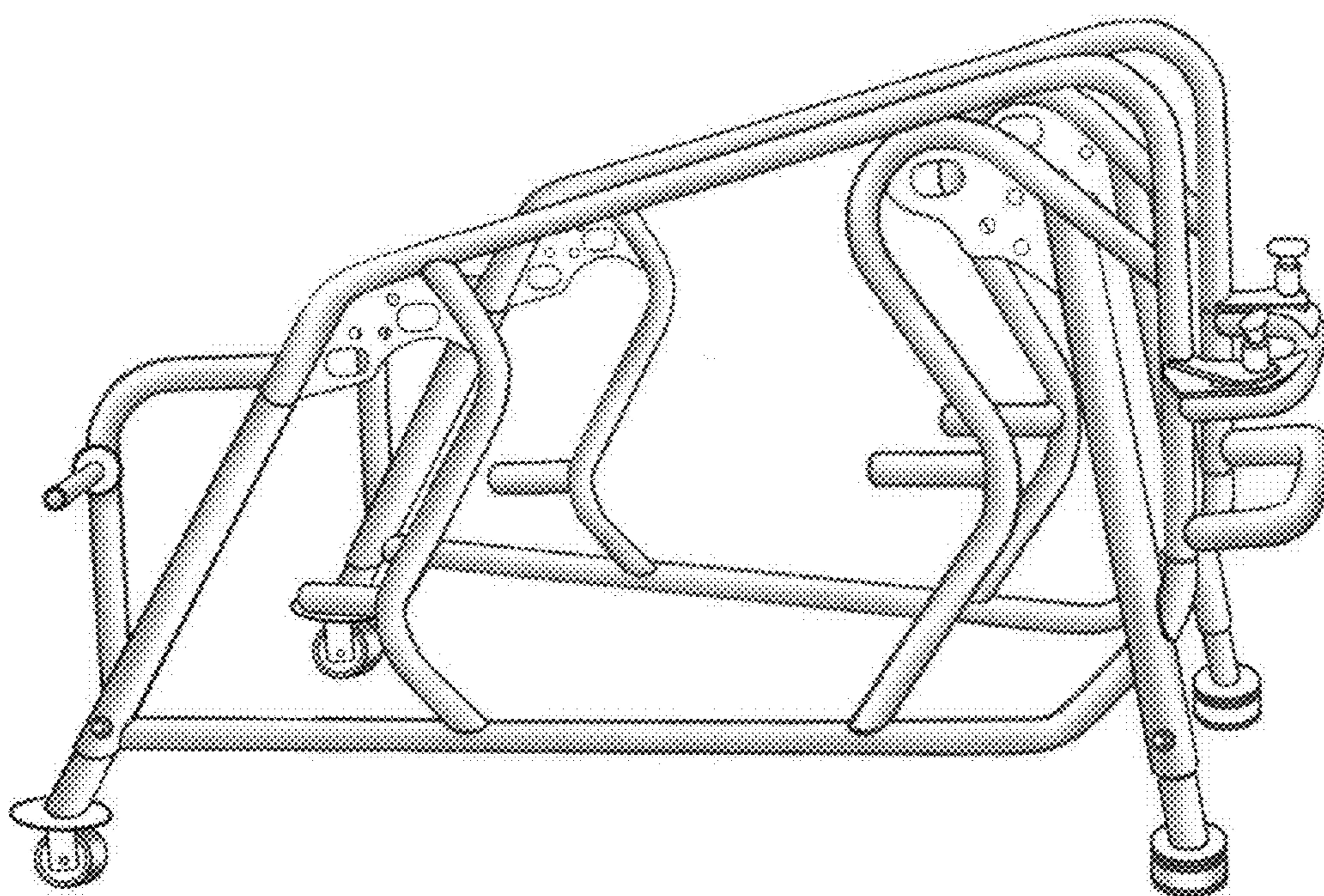
References Cited

U.S. PATENT DOCUMENTS

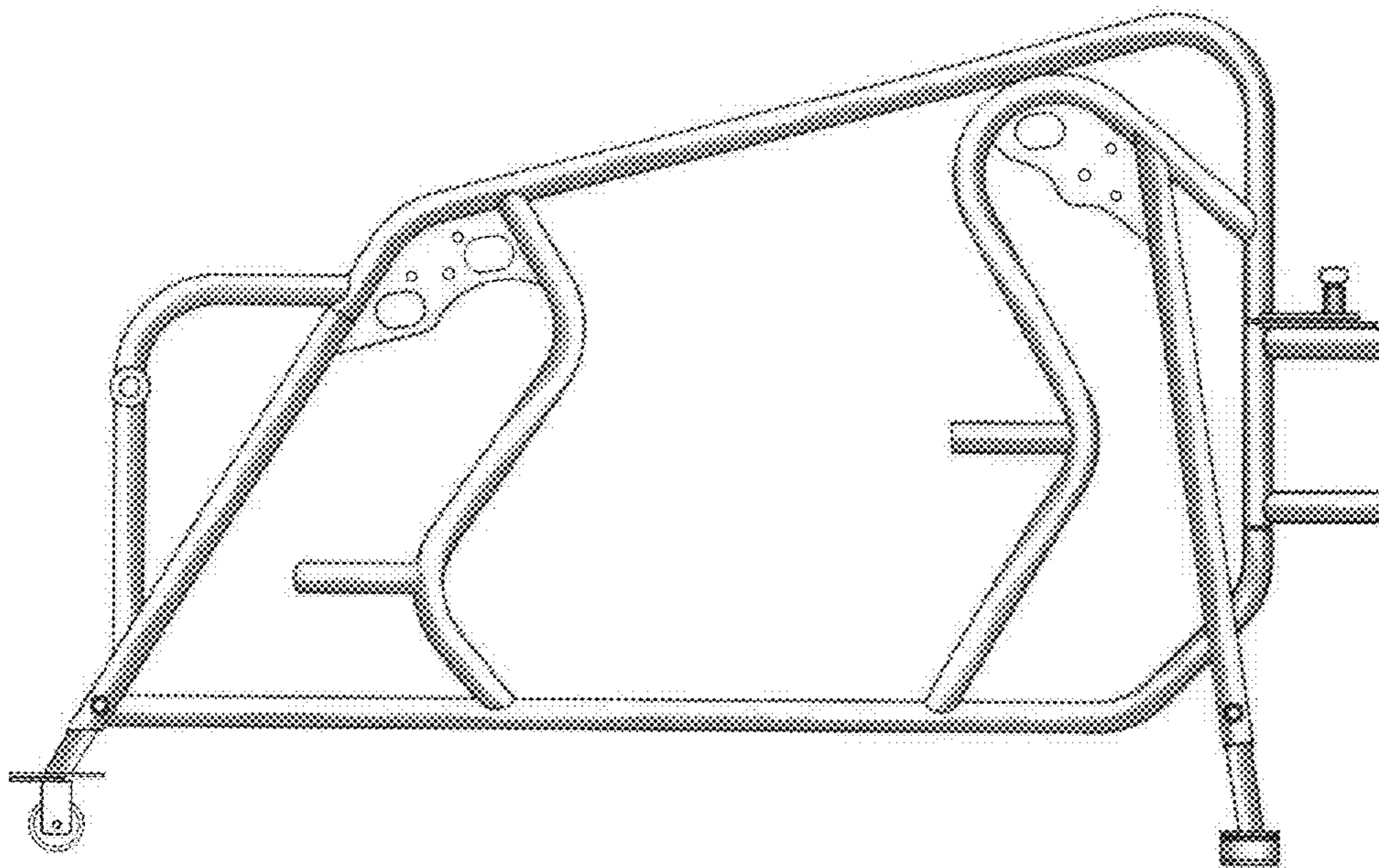
4,369,966 A \* 1/1983 Silberman ..... A63B 21/154  
482/104  
4,461,287 A \* 7/1984 Takahashi ..... A61H 1/0218  
482/144  
D280,922 S \* 10/1985 Sieder ..... D21/690  
4,638,995 A \* 1/1987 Wilson ..... A63B 21/0004  
297/452.13  
4,666,154 A \* 5/1987 Lipscomb ..... A63B 21/00047  
482/142  
4,753,438 A \* 6/1988 Paris ..... A61H 1/0218  
482/144  
D298,959 S \* 12/1988 DeGalvez ..... D21/691  
D300,157 S \* 3/1989 Yates ..... D21/690  
4,923,194 A \* 5/1990 Montgomery ... A63B 21/00047  
482/141  
D320,823 S \* 10/1991 Tanner ..... D21/686  
D320,824 S \* 10/1991 Cordon ..... D21/690  
5,082,260 A \* 1/1992 Dinelli ..... A63B 21/078  
482/104  
D324,708 S \* 3/1992 Walsh ..... D21/691  
5,221,246 A \* 6/1993 Torii ..... A63B 21/00047  
482/121  
5,876,311 A \* 3/1999 Coates ..... A47C 3/0252  
297/274  
6,422,982 B1 \* 7/2002 Retel ..... A61H 1/0218  
482/143  
6,692,417 B2 \* 2/2004 Burrell ..... A63B 21/00047  
482/141

D503,757 S \* 4/2005 Sjurdagardi ..... D21/686  
7,125,371 B2 \* 10/2006 Henderson ..... A63B 21/068  
482/142  
7,144,353 B2 \* 12/2006 Sjuragari ..... A63B 21/00047  
482/142  
7,534,200 B1 \* 5/2009 Martinez ..... A63B 21/00047  
482/142  
7,651,449 B1 \* 1/2010 Balentine ..... A63B 21/00047  
248/163.1  
7,662,067 B2 \* 2/2010 Payne ..... A63B 21/00047  
482/140  
D613,804 S \* 4/2010 Perez ..... D21/691  
D617,400 S \* 6/2010 Hetzel ..... D21/691  
D633,962 S \* 3/2011 Stacey ..... D21/691  
8,021,273 B2 \* 9/2011 Kopp ..... A63B 1/00  
297/281  
D666,259 S \* 8/2012 Garcia ..... D21/686  
D686,287 S \* 7/2013 Boatwright ..... D21/686  
9,095,742 B2 \* 8/2015 Henniger ..... A63B 21/0724  
D752,161 S \* 3/2016 Wartenbergh ..... D21/691  
9,327,153 B2 \* 5/2016 Wallisch ..... A63B 3/00  
9,517,382 B2 \* 12/2016 Payne ..... A63B 23/1236  
2002/0082145 A1 \* 6/2002 Hamilton ..... A63B 3/00  
482/38  
2005/0187083 A1 \* 8/2005 Krystoff ..... A63B 21/00047  
482/140  
2009/0124471 A1 \* 5/2009 Storch ..... A63B 21/00047  
482/141  
2010/0152007 A1 \* 6/2010 Le ..... A63B 26/003  
482/148  
2013/0324383 A1 \* 12/2013 Rogers ..... A63B 26/00  
482/142  
2015/0014212 A1 \* 1/2015 Beaver ..... A63B 23/0458  
206/579  
2015/0290488 A1 \* 10/2015 Hopperstad ..... A63B 21/078  
482/38  
2016/0129302 A1 \* 5/2016 Vallo ..... A61H 15/00  
482/132  
2017/0209733 A1 \* 7/2017 Beaver ..... A63B 21/169  
2018/0326250 A1 \* 11/2018 Henniger ..... A63B 21/068

\* cited by examiner



**FIG. 1**



**FIG. 2**

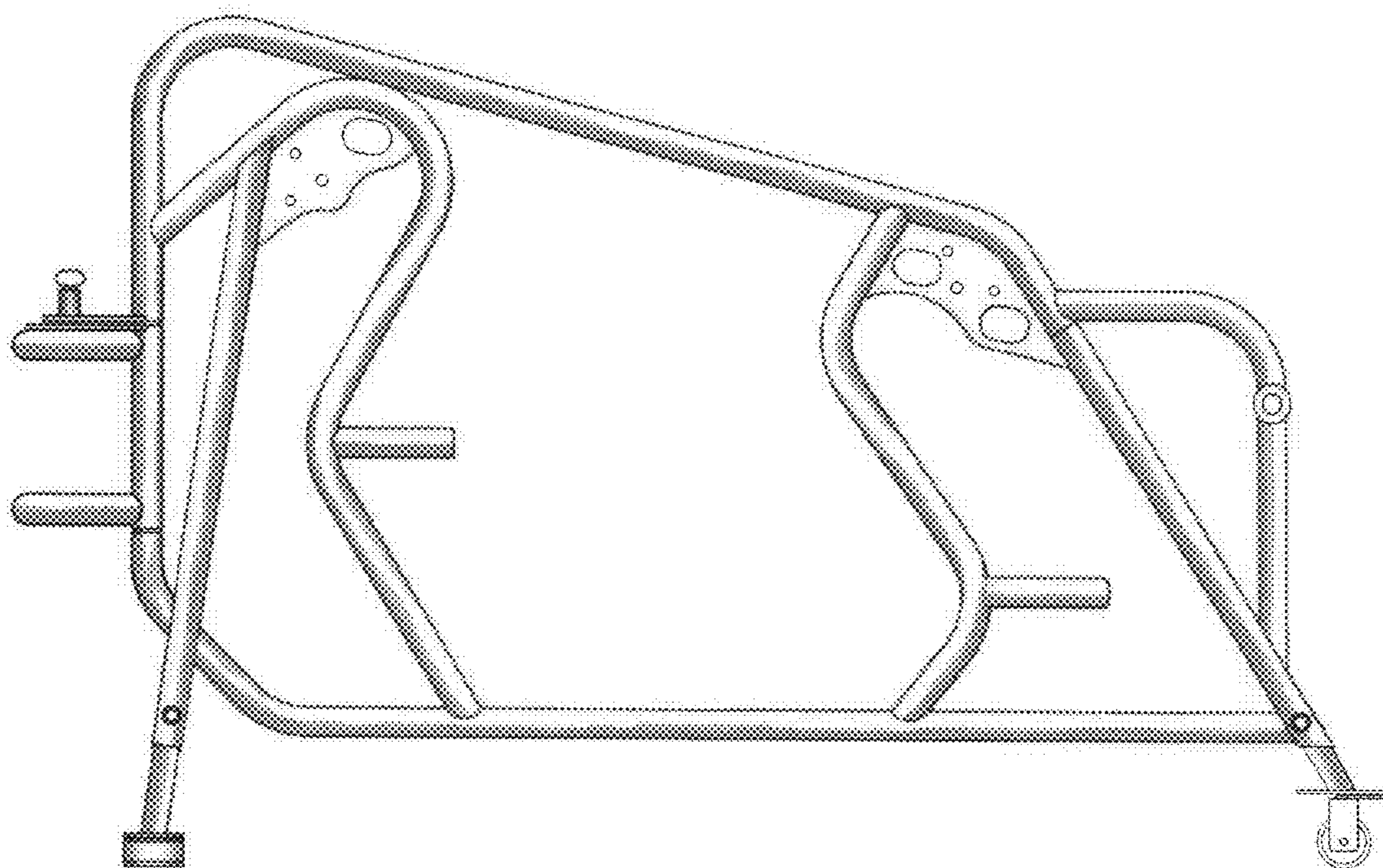
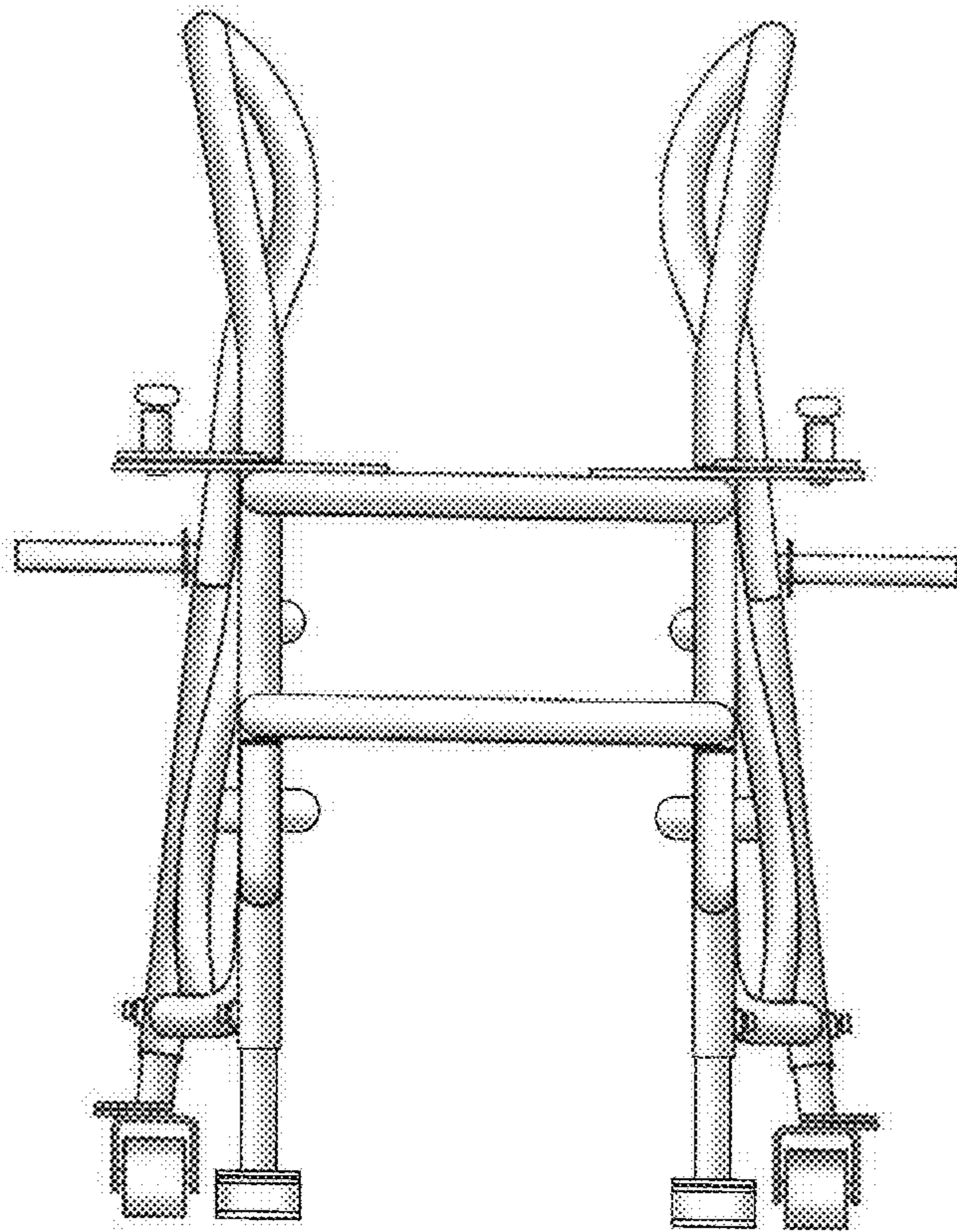
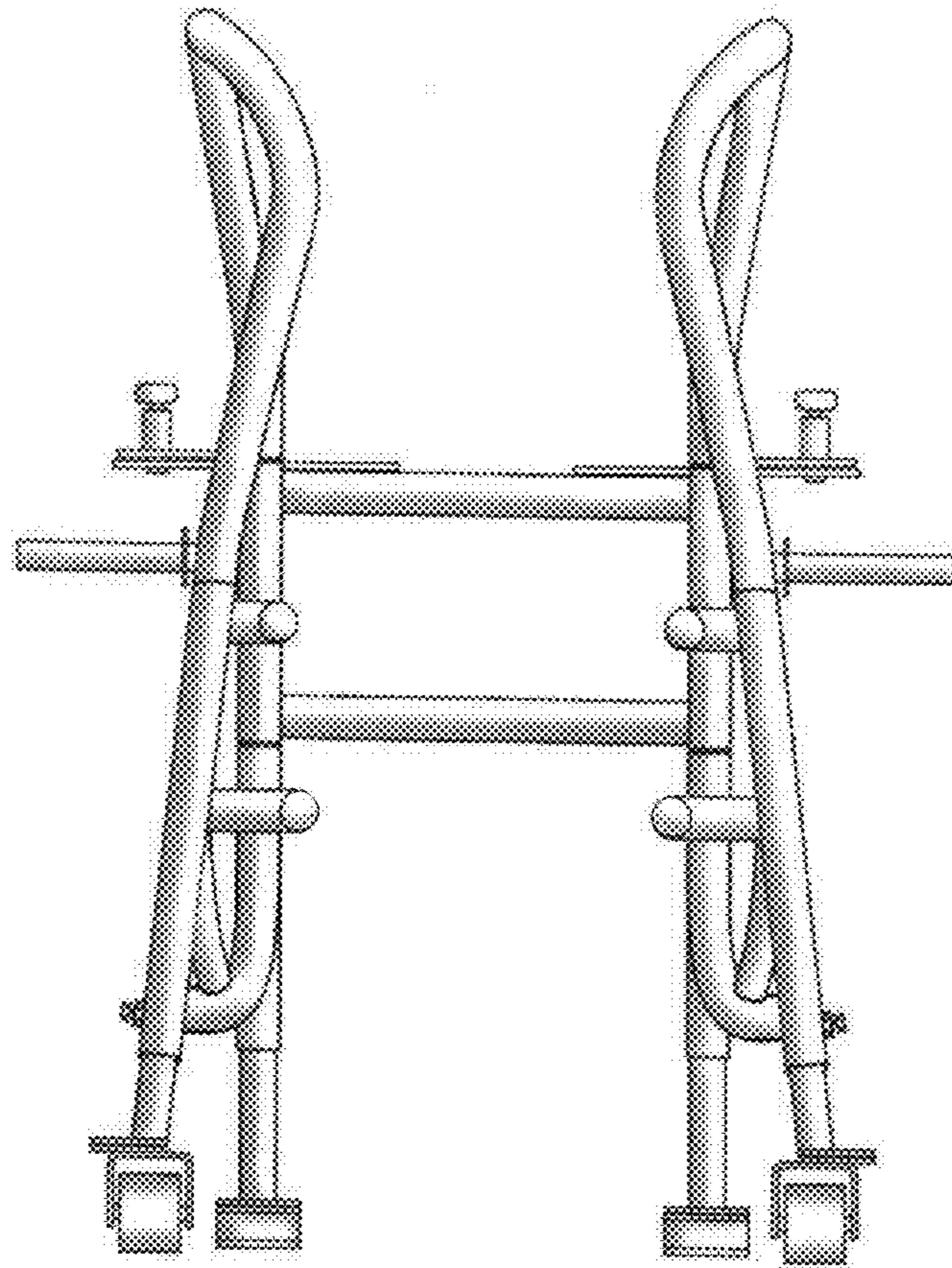


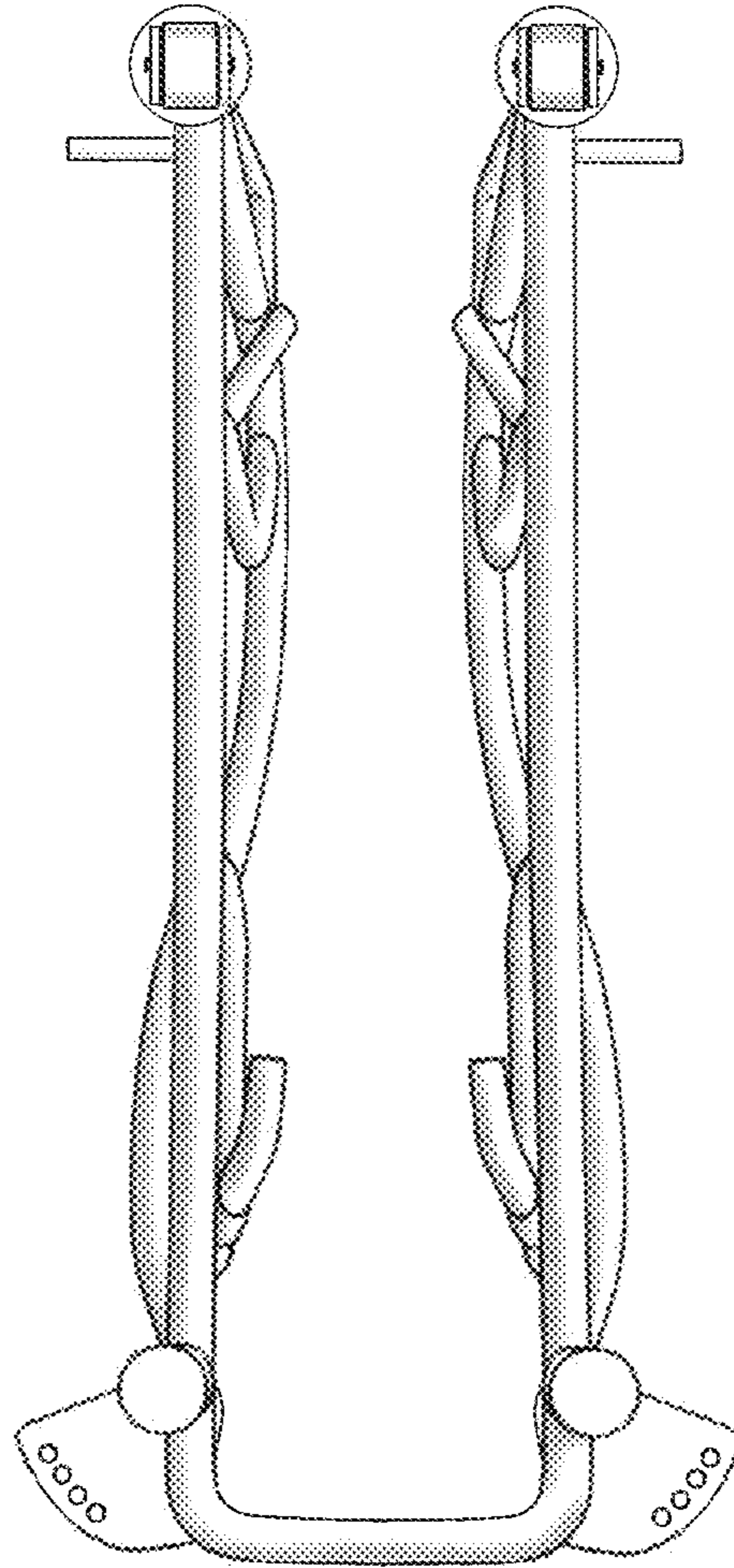
FIG. 3



**FIG. 4**

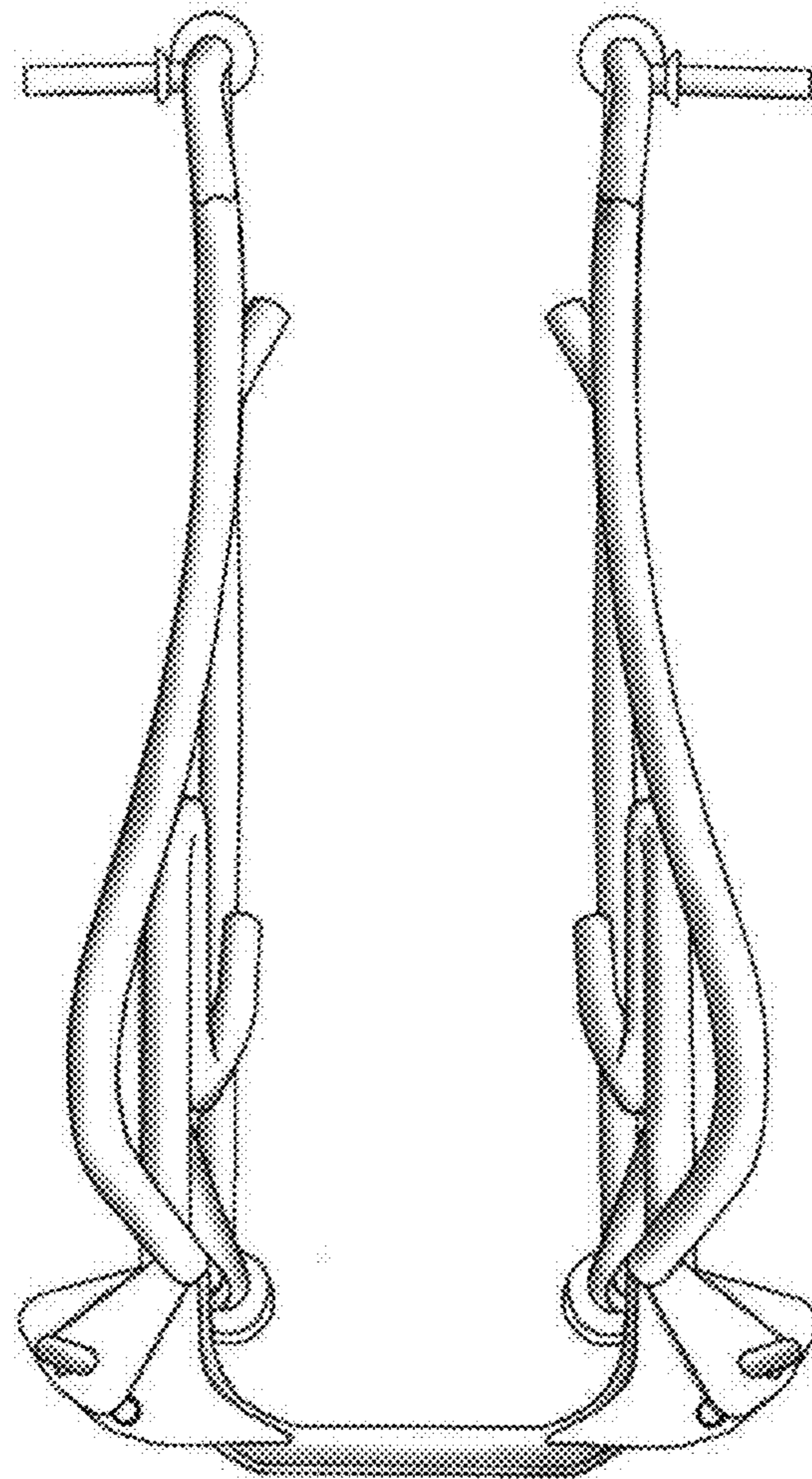


**FIG. 5**

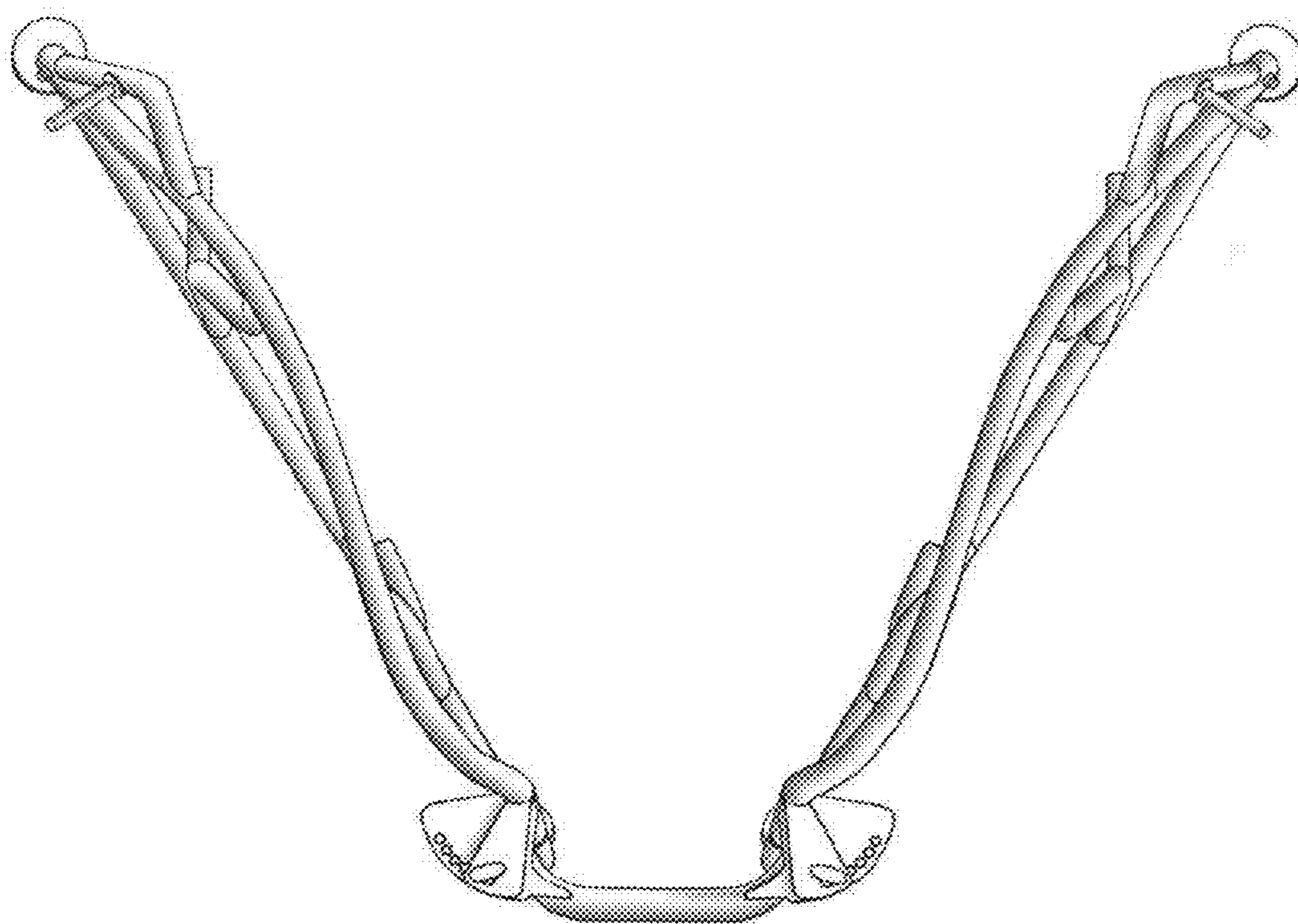


**FIG. 6**

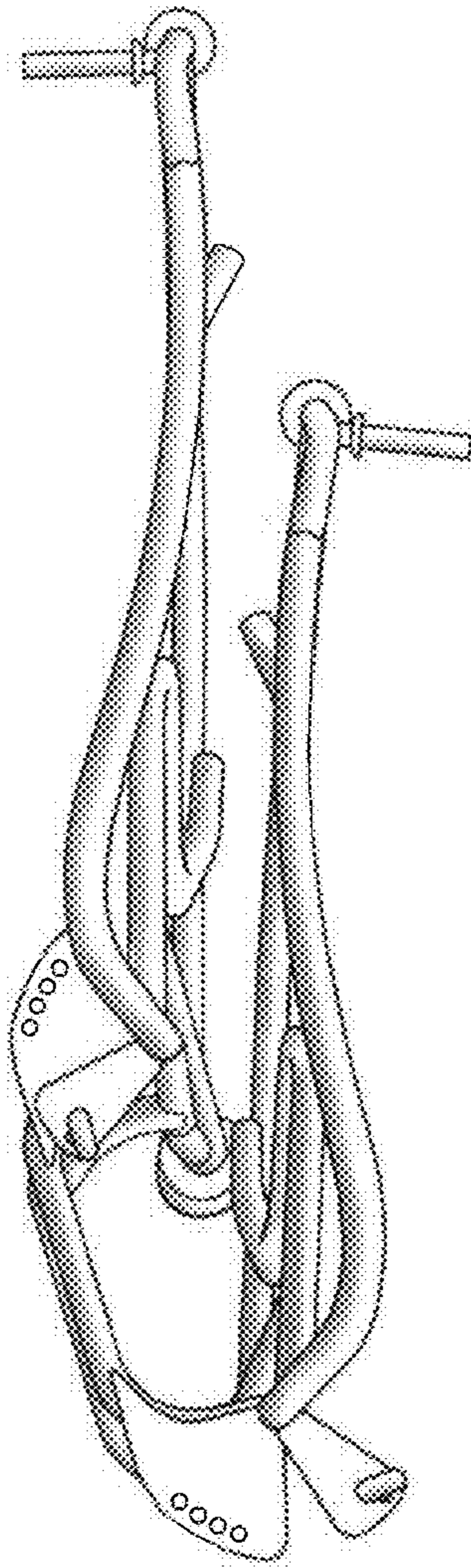




**FIG. 7**



**FIG. 8**



**FIG. 9**