



US00D868910S

(12) **United States Design Patent** (10) **Patent No.:** **US D868,910 S**
Huang (45) **Date of Patent:** **** Dec. 3, 2019**

(54) **PULL UP BAR**

(71) Applicant: **Jia Huang**, Shenzhen (CN)

(72) Inventor: **Jia Huang**, Shenzhen (CN)

(**) Term: **15 Years**

(21) Appl. No.: **29/660,424**

(22) Filed: **Aug. 21, 2018**

(51) **LOC (12) Cl.** **21-02**

(52) **U.S. Cl.**
USPC **D21/679**

(58) **Field of Classification Search**
USPC D21/694, 691, 679, 681; D6/681.1;
482/38, 40, 131, 140, 93, 97
CPC A63B 21/4035; A63B 21/4047; A63B
21/0628; A63B 23/0211; A63B 23/03525;
A63B 21/068; A63B 23/1218; A63B
23/1209; A63B 1/00
See application file for complete search history.

(56) **References Cited**

U.S. PATENT DOCUMENTS

| | | | | |
|-------------------|---------|-------------|-------|-------------------------|
| D297,957 S * | 10/1988 | Gordon, III | | D21/691 |
| 5,180,350 A * | 1/1993 | Thomas | | A63B 1/00 482/138 |
| D348,706 S * | 7/1994 | Harrell | | D21/691 |
| 8,206,273 B2 * | 6/2012 | Skipper | | A63B 21/00047 482/39 |
| 2011/0245040 A1 * | 10/2011 | Skipper | | A63B 9/00 482/38 |
| 2012/0046150 A1 * | 2/2012 | Stacey | | A63B 1/00 482/131 |

| | | | | |
|-------------------|---------|---------|-------|------------------------|
| 2013/0244836 A1 * | 9/2013 | Maughan | | A63B 21/1645 482/40 |
| 2014/0302968 A1 * | 10/2014 | Velikin | | A63B 1/00 482/40 |
| 2018/0085622 A1 * | 3/2018 | Ivan | | A63B 21/1618 |

OTHER PUBLICATIONS

Pull up by Ikonfitness dated Aug. 24, 2018. Found online [Jul. 19, 2019]https://www.amazon.com/Iron-Age-Portable-Technology-Invention/dp/B07FNQTH4Y/ref=cm_cr_arp_d_product_top?ie=UTF8 (Year: 2018).*

* cited by examiner

Primary Examiner — Ryan Harvey

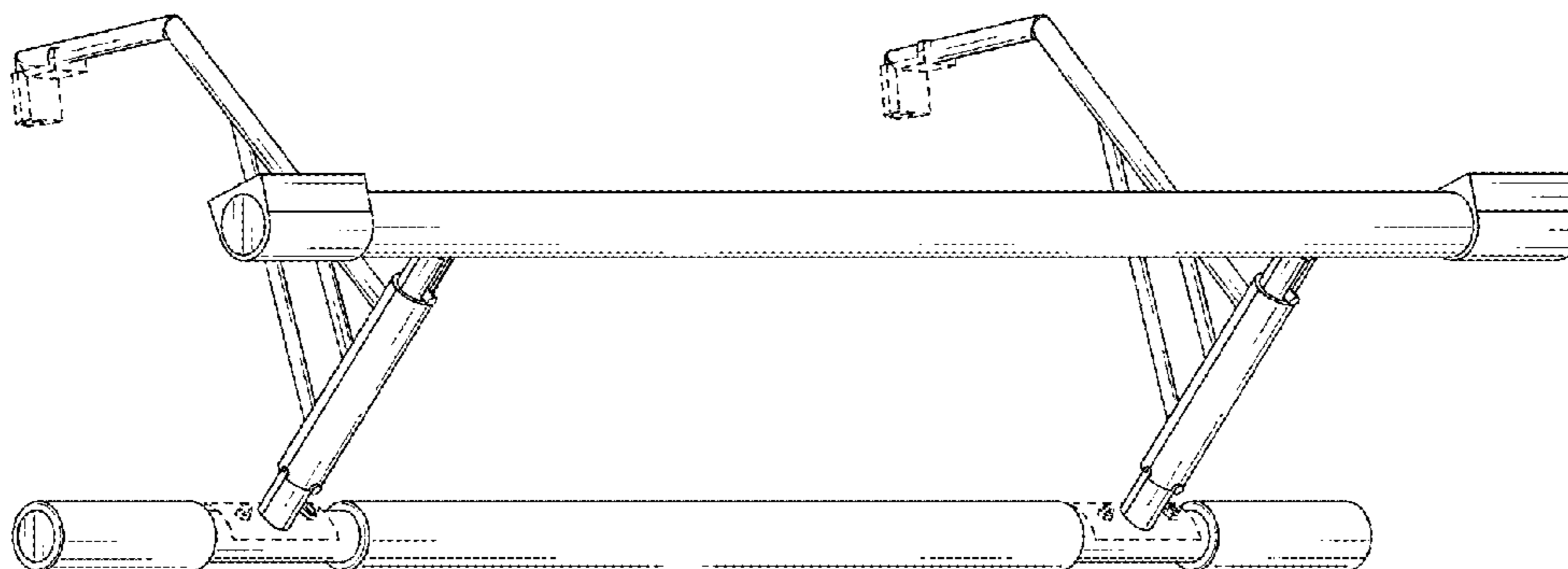
(57) **CLAIM**

The ornamental design for a pull up bar, as shown and described.

DESCRIPTION

FIG. 1 is a front-top-left perspective view of a pull up bar, showing my new design;
FIG. 2 is a back-top-left perspective view thereof;
FIG. 3 is a left elevational view thereof; the right elevational view being a mirror view thereof;
FIG. 4 is a front elevational view thereof;
FIG. 5 is a front elevational view thereof, with the supports folded;
FIG. 6 is a rear elevational view thereof;
FIG. 7 is a top plan view thereof; and,
FIG. 8 is a bottom plan view thereof.
The broken lines showing of the mounting plates in FIGS. 1-8 are included for the purpose of showing environmental structure and form no part of the claimed design.

1 Claim, 8 Drawing Sheets



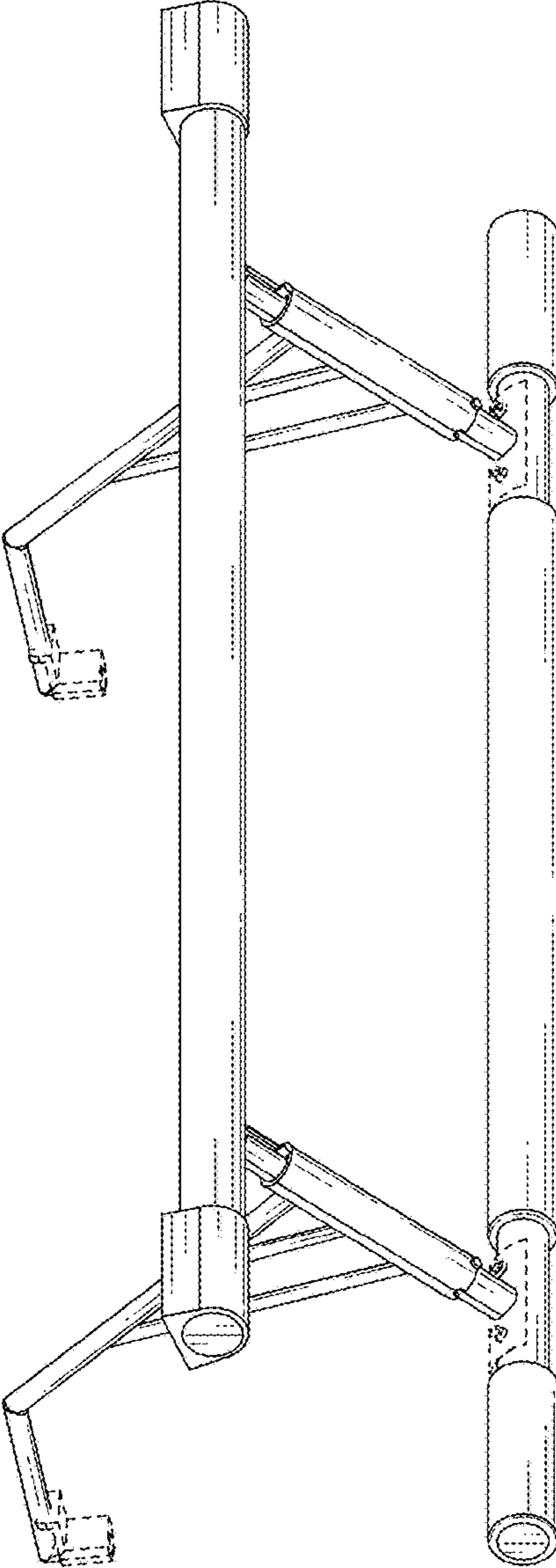


FIG. 1

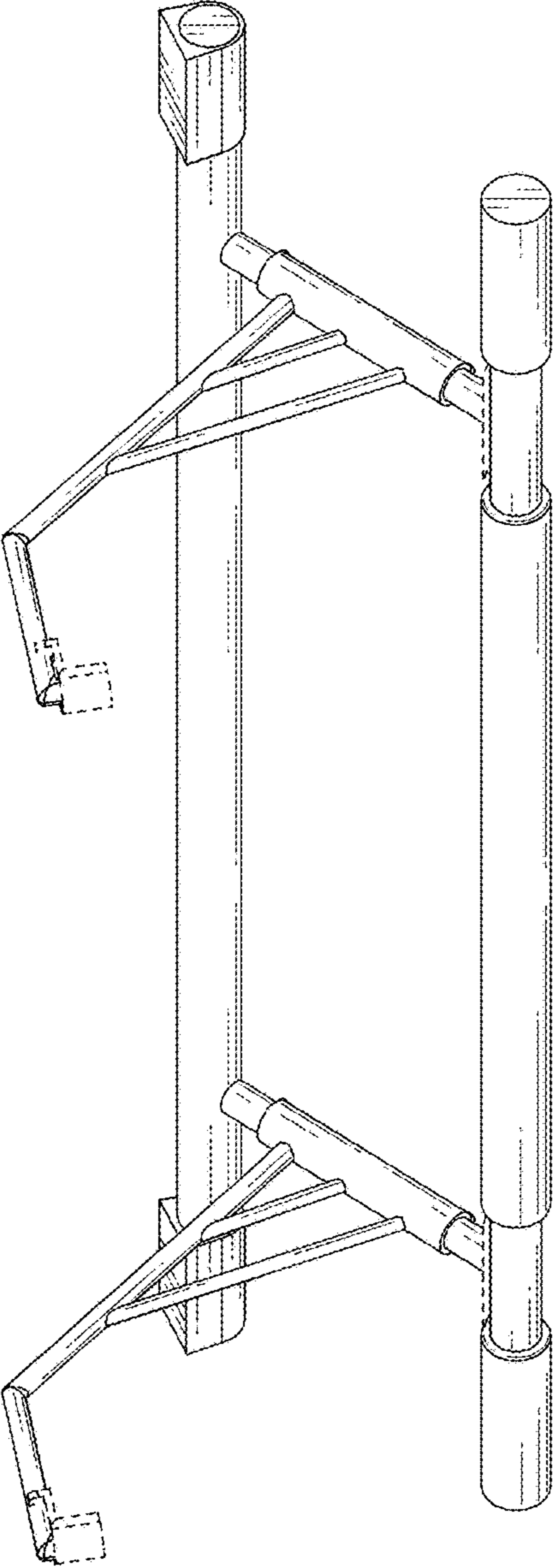


FIG. 2

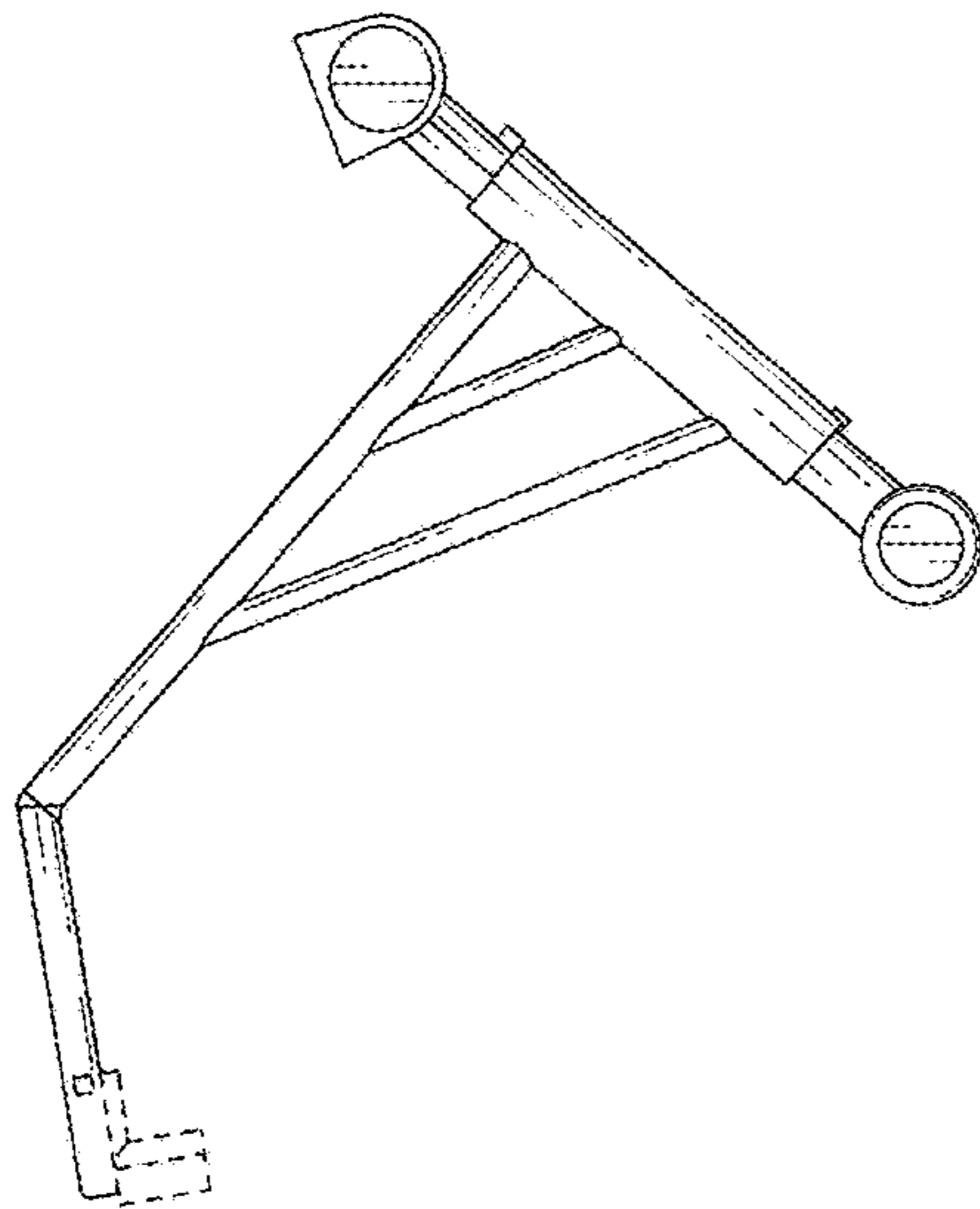


FIG. 3

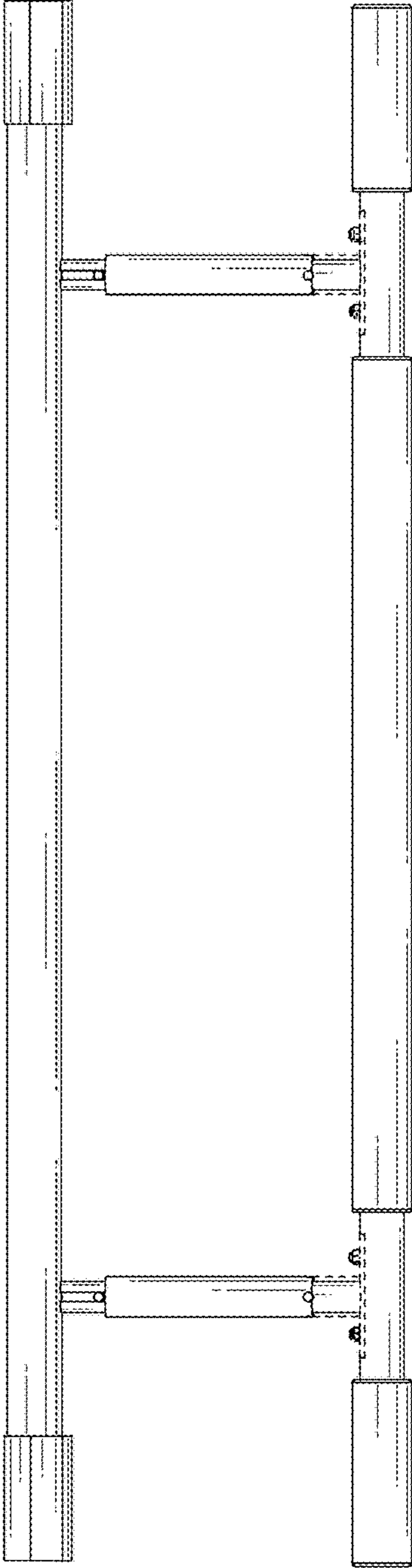


FIG. 4

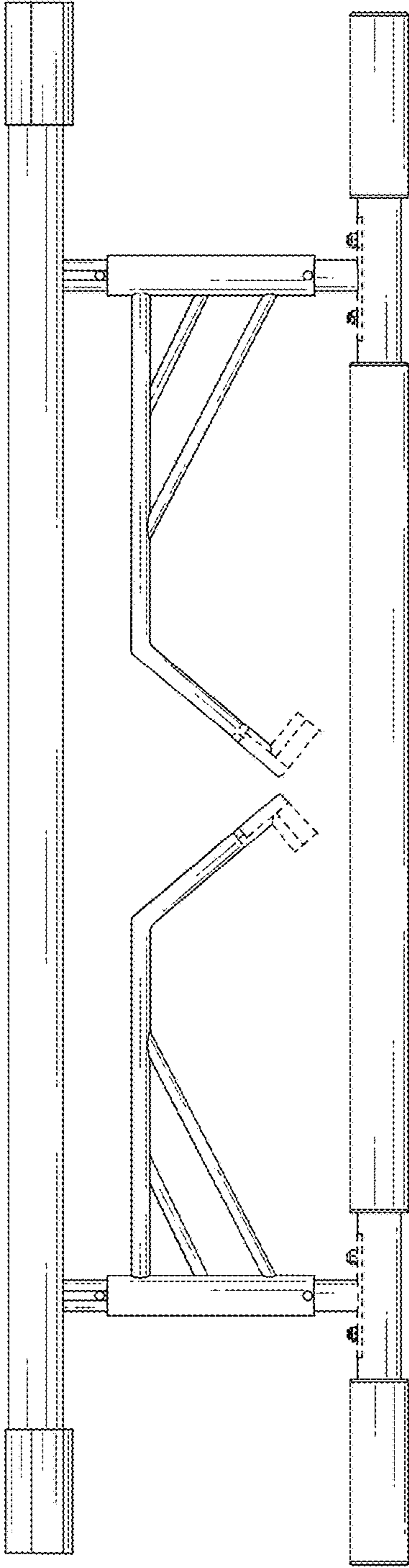


FIG. 5

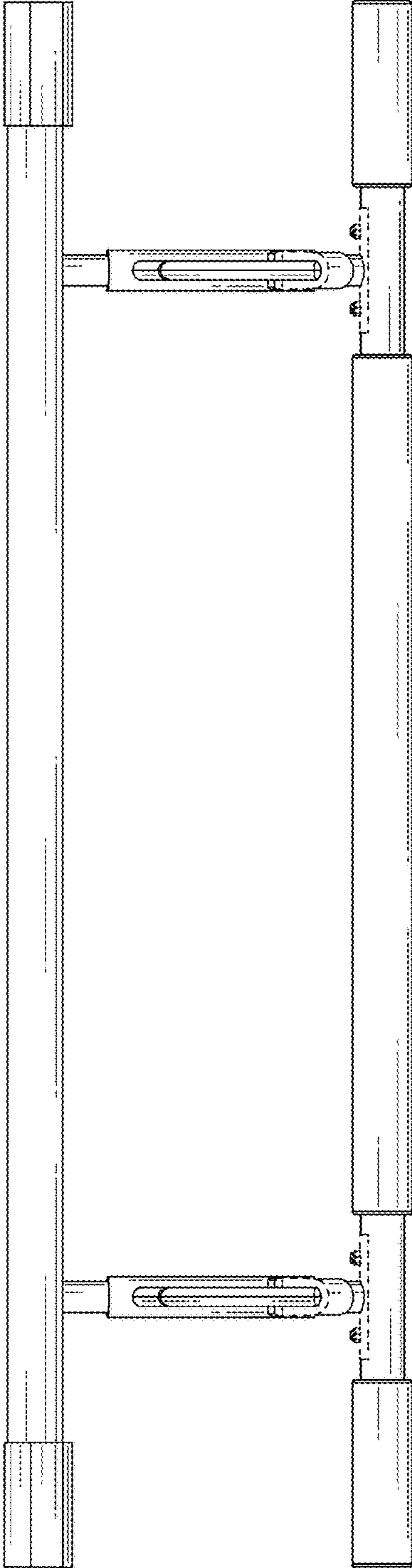


FIG. 6

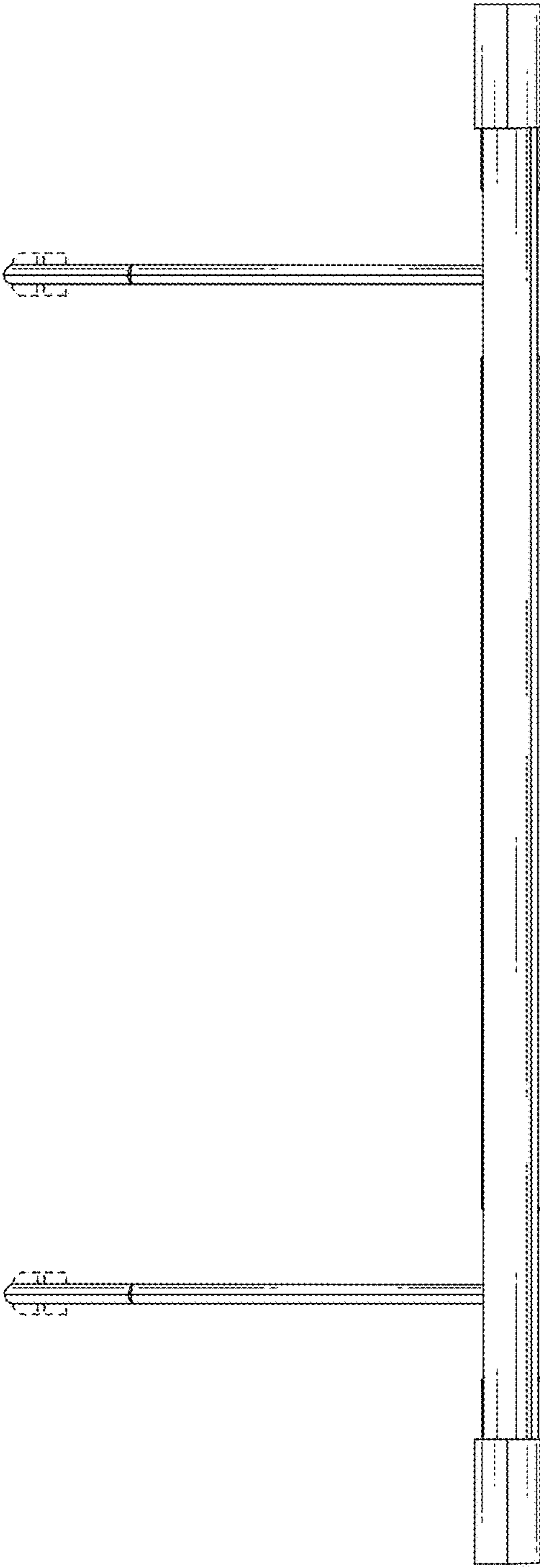


FIG. 7

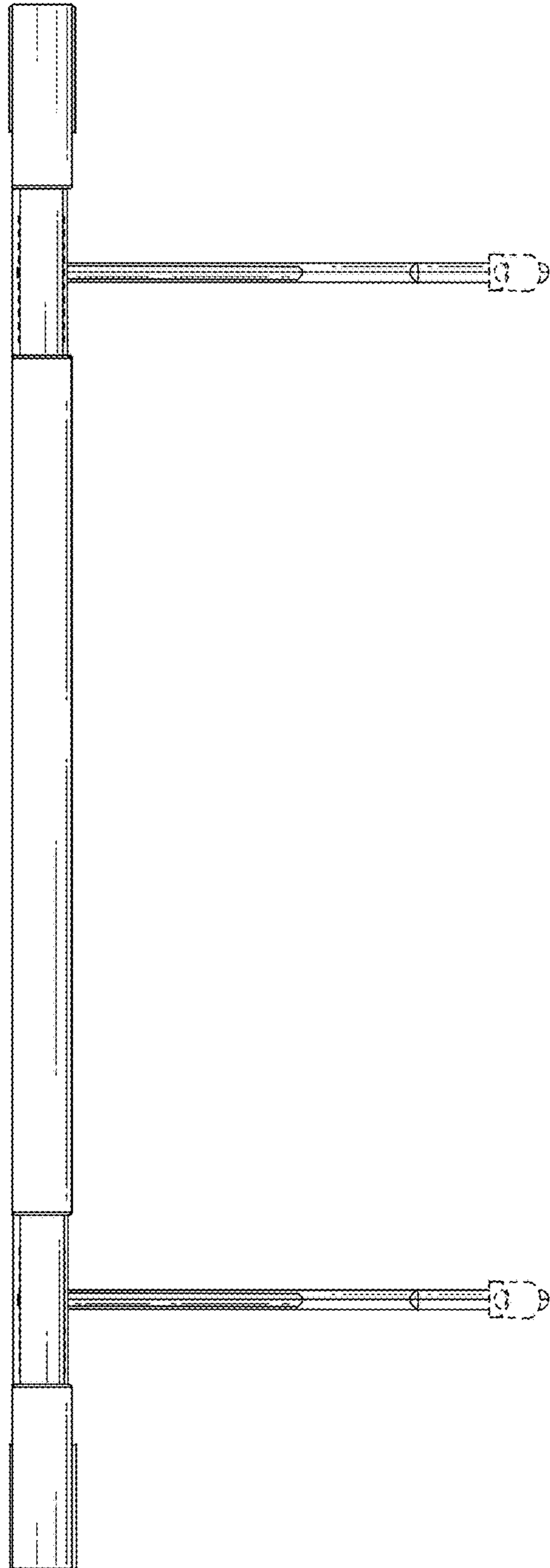


FIG. 8