



US00D868909S

(12) **United States Design Patent** (10) **Patent No.:** **US D868,909 S**
Cutler et al. (45) **Date of Patent:** **** Dec. 3, 2019**

(54) **EXERCISE DEVICE** D512,113 S * 11/2005 Carter D21/675
D520,085 S * 5/2006 Willardson D21/675
(71) Applicant: **ICON Health & Fitness, Inc.**, Logan, D552,193 S * 10/2007 Husted D21/676
UT (US) D633,581 S * 3/2011 Thulin D21/676
8,096,926 B1 * 1/2012 Batca A63B 21/00058
482/92
(72) Inventors: **Gordon Cutler**, Providence, UT (US); 8,500,607 B2 * 8/2013 Vittone A63B 21/151
Michael L. Olson, Providence, UT 482/102
(US); **William T. Dalebout**, North 8,550,964 B2 * 10/2013 Ish, III A63B 21/156
Logan, UT (US) 482/103
D746,388 S * 12/2015 Hockridge D21/673
(73) Assignee: **ICON Health & Fitness, Inc.**, Logan, D807,445 S * 1/2018 Gettle D21/686
UT (US) (Continued)

(**) Term: **15 Years**

(21) Appl. No.: **29/568,648**

(22) Filed: **Jun. 20, 2016**

Related U.S. Application Data

(63) Continuation of application No. 14/582,493, filed on Dec. 24, 2014, now Pat. No. 9,403,047.

(51) **LOC (12) Cl.** **21-02**

(52) **U.S. Cl.**
USPC **D21/673**

(58) **Field of Classification Search**
USPC D21/662, 668, 669, 670, 671, 676
CPC A63B 24/0062; A63B 24/0087; A63B
24/0075; A63B 22/0605; A63B
2024/0065; A63B 21/225; A63B 21/4034;
A63B 21/4035; A63B 2220/12; A63B
22/02; A63B 22/0664; A63B 71/0622;
A63B 2024/0068; A63B 2024/0093
See application file for complete search history.

(56) **References Cited**

U.S. PATENT DOCUMENTS

D457,580 S * 5/2002 Webber D21/675
D511,190 S * 11/2005 Panatta D21/675

OTHER PUBLICATIONS

NordicTrack Fusion CST Series, [online], [site visited Jan. 2, 2018]. Available from Internet, URL:https://www.nordictrack.com/fusion-cst-series.*

Primary Examiner — Michael C Stout

Assistant Examiner — Katrina N Gonzalez

(74) *Attorney, Agent, or Firm* — Ray Quinney & Nebeker

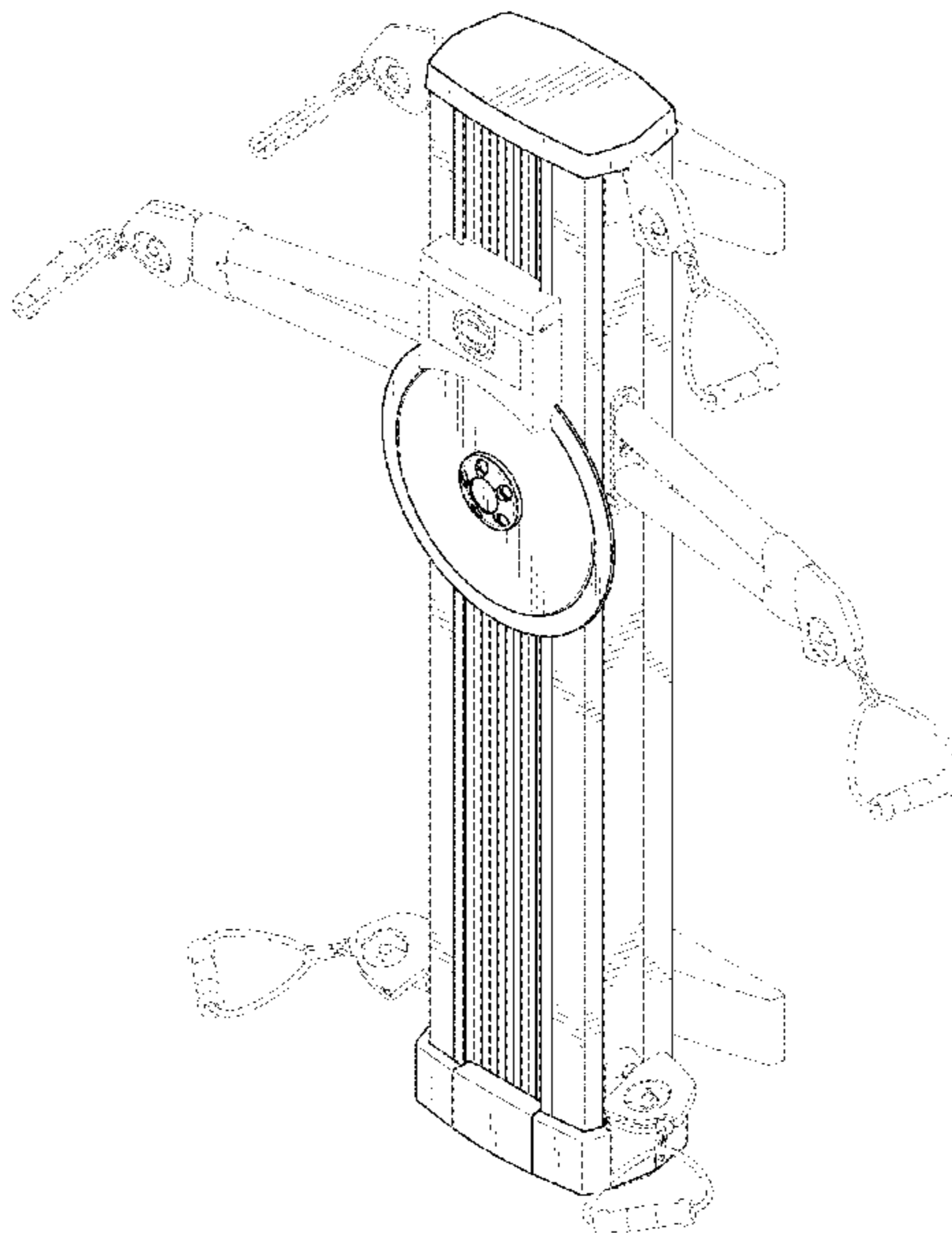
(57) **CLAIM**

The ornamental design for an exercise device, as shown and described.

DESCRIPTION

FIG. 1 is a perspective view of an exercise device of the present invention;
FIG. 2 is a front view of the exercise device of FIG. 1;
FIG. 3 is a rear view of the exercise device of FIG. 1;
FIG. 4 is a left side view of the exercise device of FIG. 1;
FIG. 5 is a right side view of the exercise device of FIG. 1;
FIG. 6 is a top view of the exercise device of FIG. 1; and,
FIG. 7 is a bottom plan view thereof.
The broken lines illustrate portions of the exercise device that form no part of the claim.

1 Claim, 5 Drawing Sheets



(56)

References Cited

U.S. PATENT DOCUMENTS

2002/0025888 A1* 2/2002 Germanton A63B 21/063
482/1
2013/0109543 A1* 5/2013 Reyes A63B 23/03558
482/99
2015/0182773 A1* 7/2015 Olson A63B 21/00192
482/8
2017/0361145 A1* 12/2017 Olson A63B 24/0087

* cited by examiner

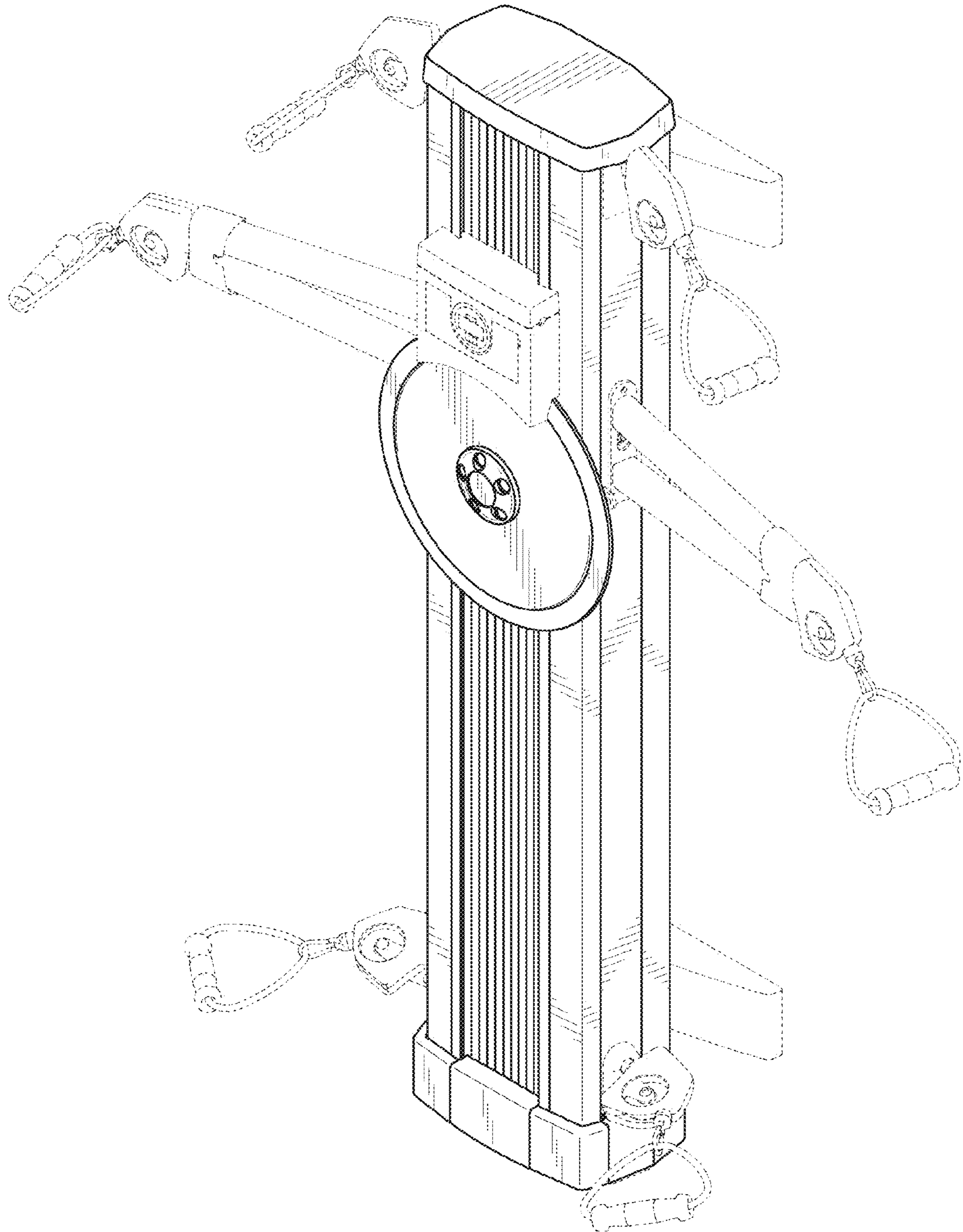


FIG. 1

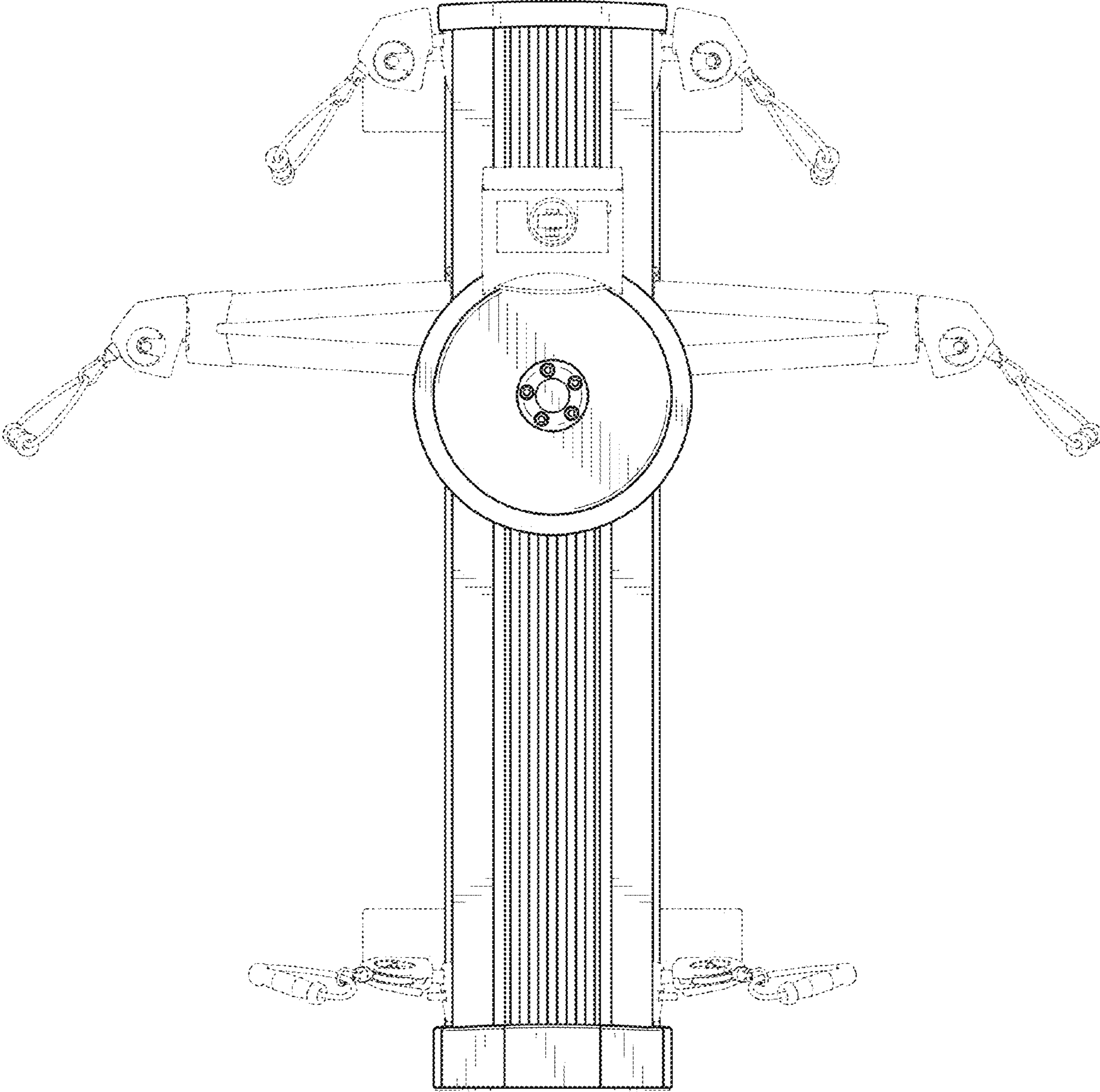


FIG. 2

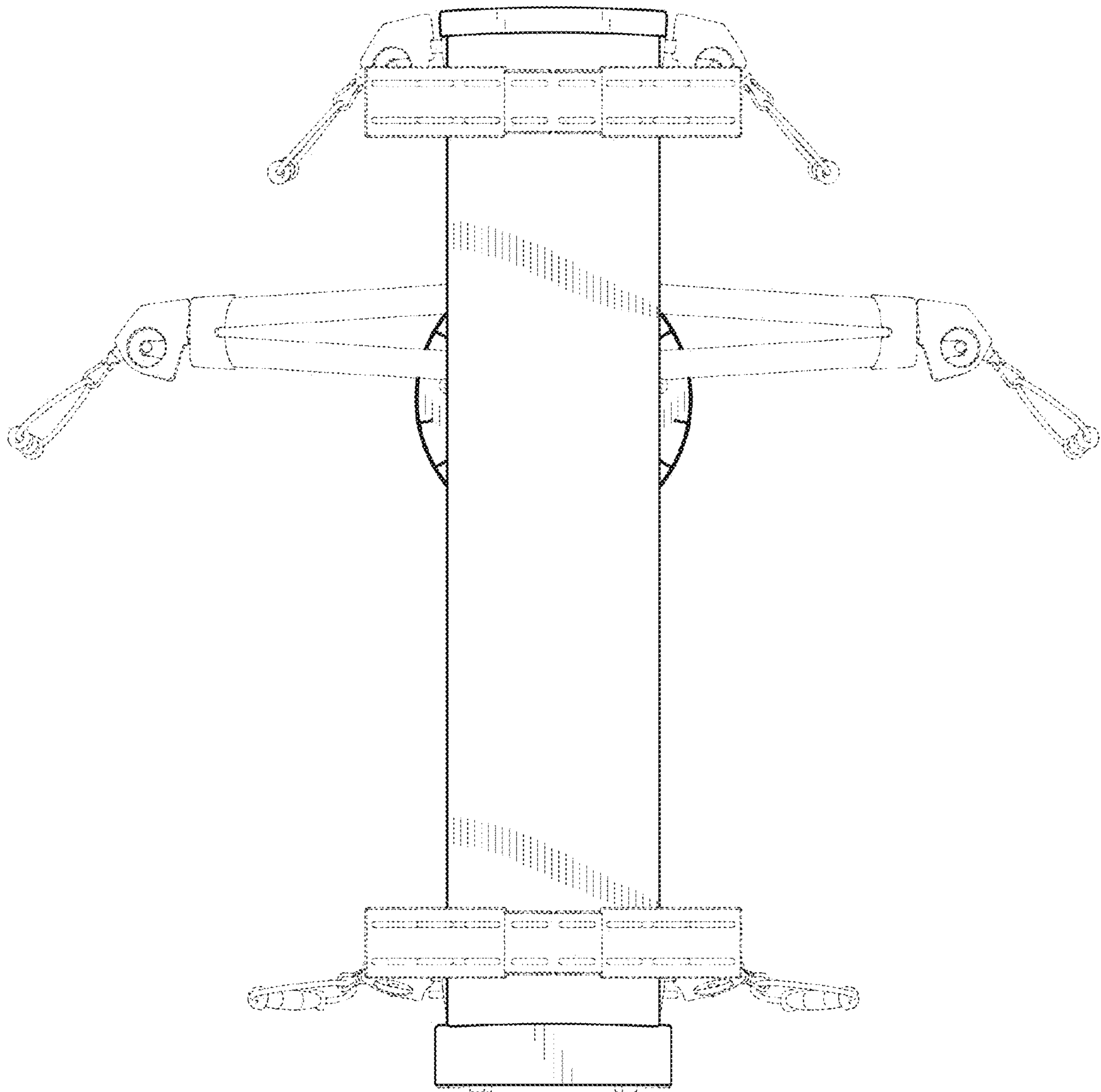


FIG. 3

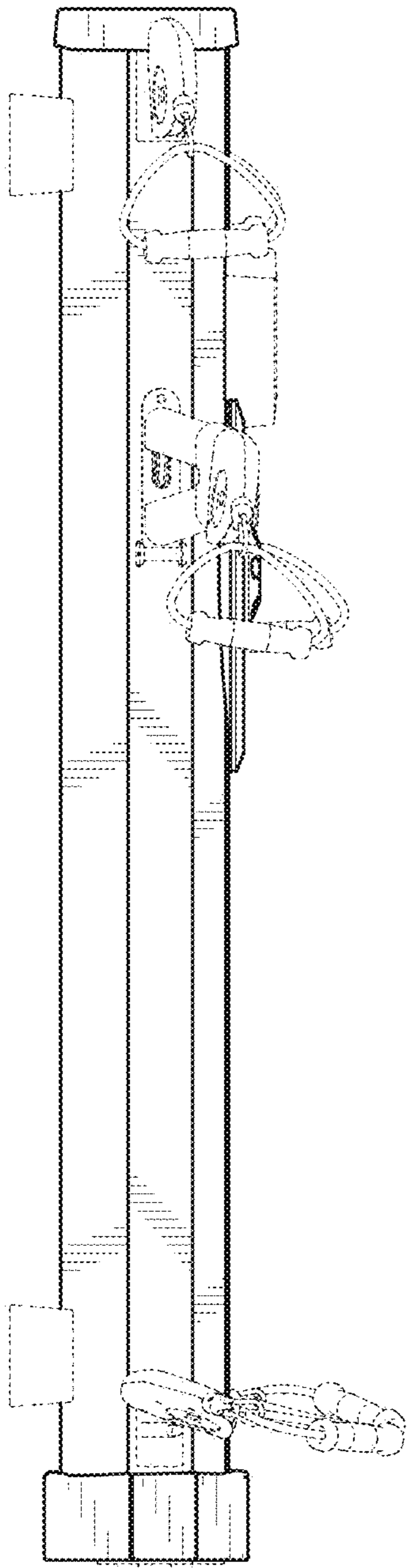


FIG. 4

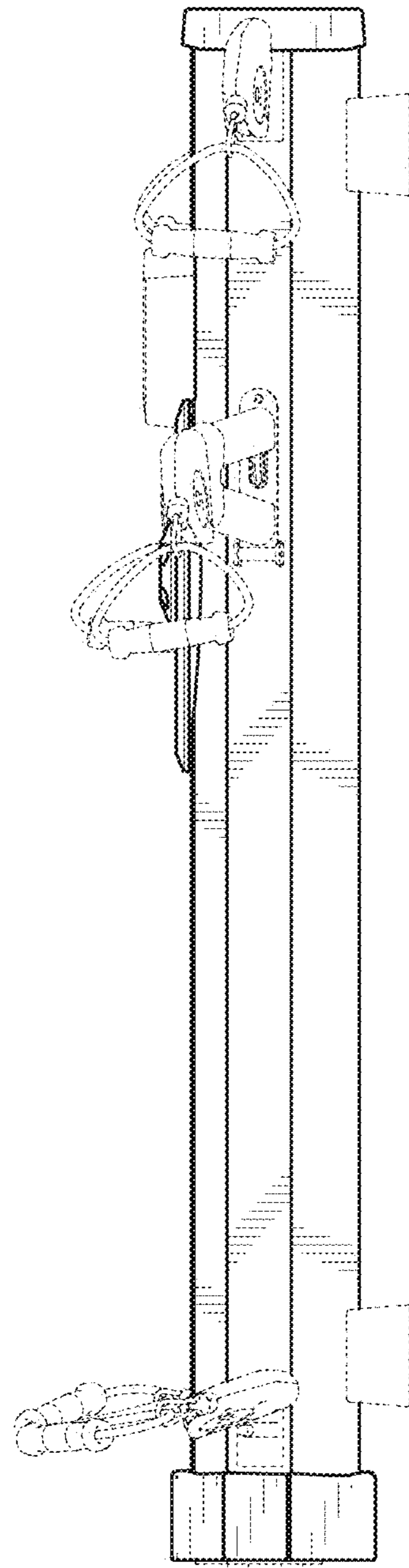


FIG. 5

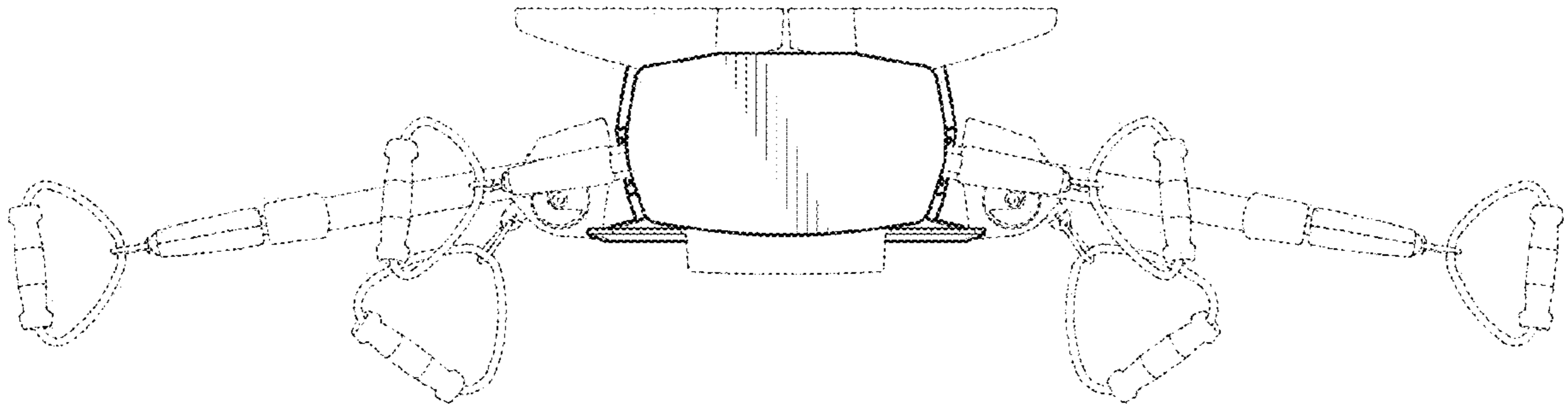


FIG. 6

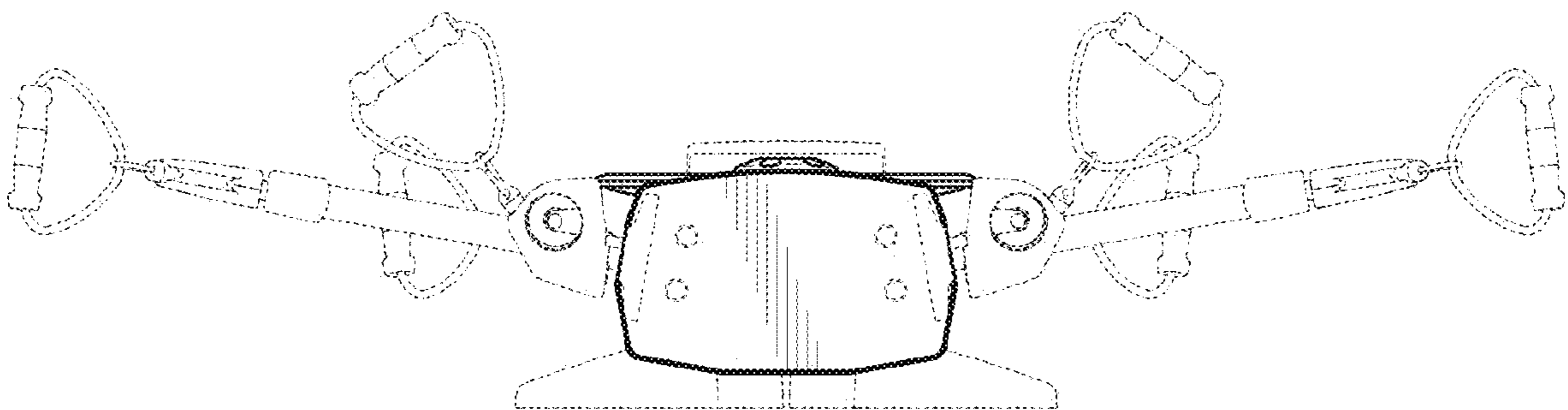


FIG. 7