

US00D868908S

(12) **United States Design Patent**  
**Bartee, Jr.**

(10) **Patent No.:** **US D868,908 S**

(45) **Date of Patent:** **\*\* Dec. 3, 2019**

- (54) **DOLL**
- (71) Applicant: **Harry A. Bartee, Jr.**, Saltillo, MS (US)
- (72) Inventor: **Harry A. Bartee, Jr.**, Saltillo, MS (US)
- (\*\*) Term: **15 Years**
- (21) Appl. No.: **29/660,613**
- (22) Filed: **Aug. 22, 2018**
- (51) **LOC (12) Cl.** ..... **21-01**
- (52) **U.S. Cl.**  
USPC ..... **D21/621**
- (58) **Field of Classification Search**  
USPC ..... D21/621, 622, 630, 658, 659, 660, 661  
CPC ..... A63H 3/00  
See application file for complete search history.

D723,633 S \* 3/2015 Masters ..... D21/621  
D737,383 S \* 8/2015 Hochstrasser ..... D21/621  
D748,206 S \* 1/2016 Turbyfill ..... D21/621

**OTHER PUBLICATIONS**

Antique Doll Purse Felt Doll or Child Size. Product listing [online].  
© 1998-2018 Ruby Lane, Inc. [retrieved on Jun. 27, 2018]. Retrieved  
from the Internet: <URL:https://www.rubylane.com/item/672393-  
3582/Antique-Doll-Purse-Felt-Doll-Child>.

\* cited by examiner

*Primary Examiner* — Zenia I Bennett

(74) *Attorney, Agent, or Firm* — Cramer Patent & Design,  
PLLC; Aaron R. Cramer

(56) **References Cited**

**U.S. PATENT DOCUMENTS**

D48,947 S	4/1916	Plunder	
D60,920 S	4/1922	Schmucker et al.	
D74,169 S	1/1928	Cohen	
D113,238 S *	2/1939	Reighard	D21/621
D143,580 S	1/1946	Cohen	
D159,668 S *	8/1950	Schleich	D21/621
D181,304 S	10/1957	Mann	
D187,177 S *	2/1960	Lawson	D20/31
D265,022 S	6/1982	Parker	
D360,001 S *	7/1995	Sheldon	D21/636
5,487,467 A	1/1996	Sherman	
5,638,561 A	6/1997	Sperry et al.	
7,175,497 B2	2/2007	Herzog	
D671,602 S *	11/2012	Bradford	D21/621
D690,780 S *	10/2013	Tranmer	D21/621

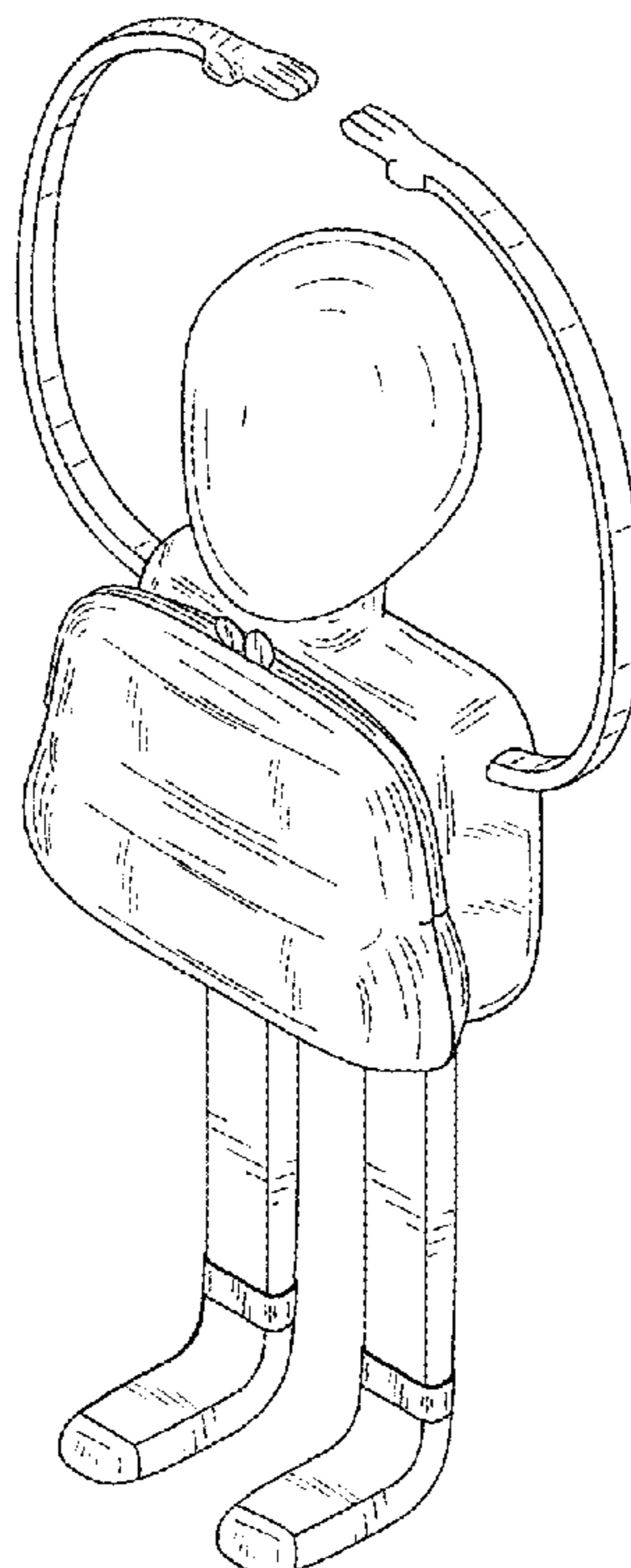
(57) **CLAIM**

The ornamental design for a doll, as shown and described.

**DESCRIPTION**

FIG. 1 is a perspective top front right view of a doll, showing  
my new design;  
FIG. 2 is a perspective top rear left view thereof;  
FIG. 3 is a front elevation view thereof;  
FIG. 4 is a rear elevation view thereof;  
FIG. 5 is a right elevation view thereof;  
FIG. 6 is a left elevation view thereof;  
FIG. 7 is a top plan view thereof; and,  
FIG. 8 is a bottom plan view thereof.

**1 Claim, 8 Drawing Sheets**



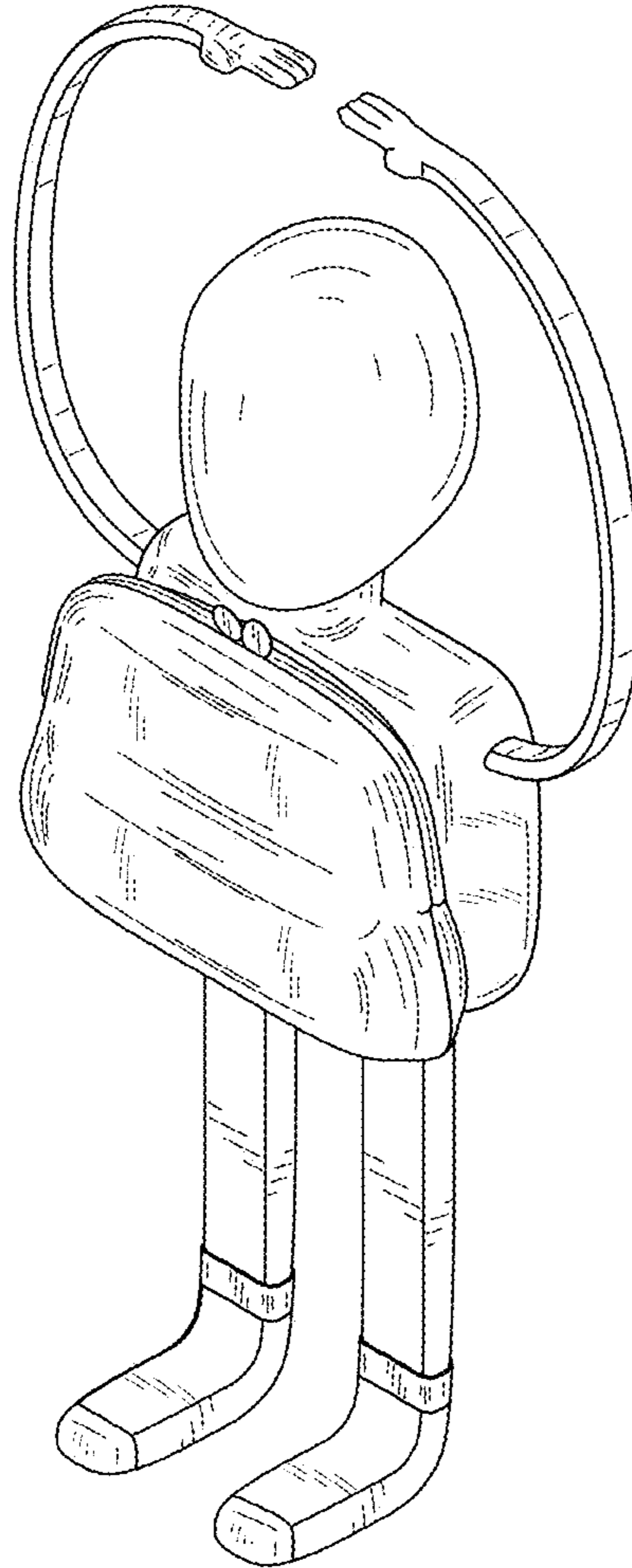


FIG. 1

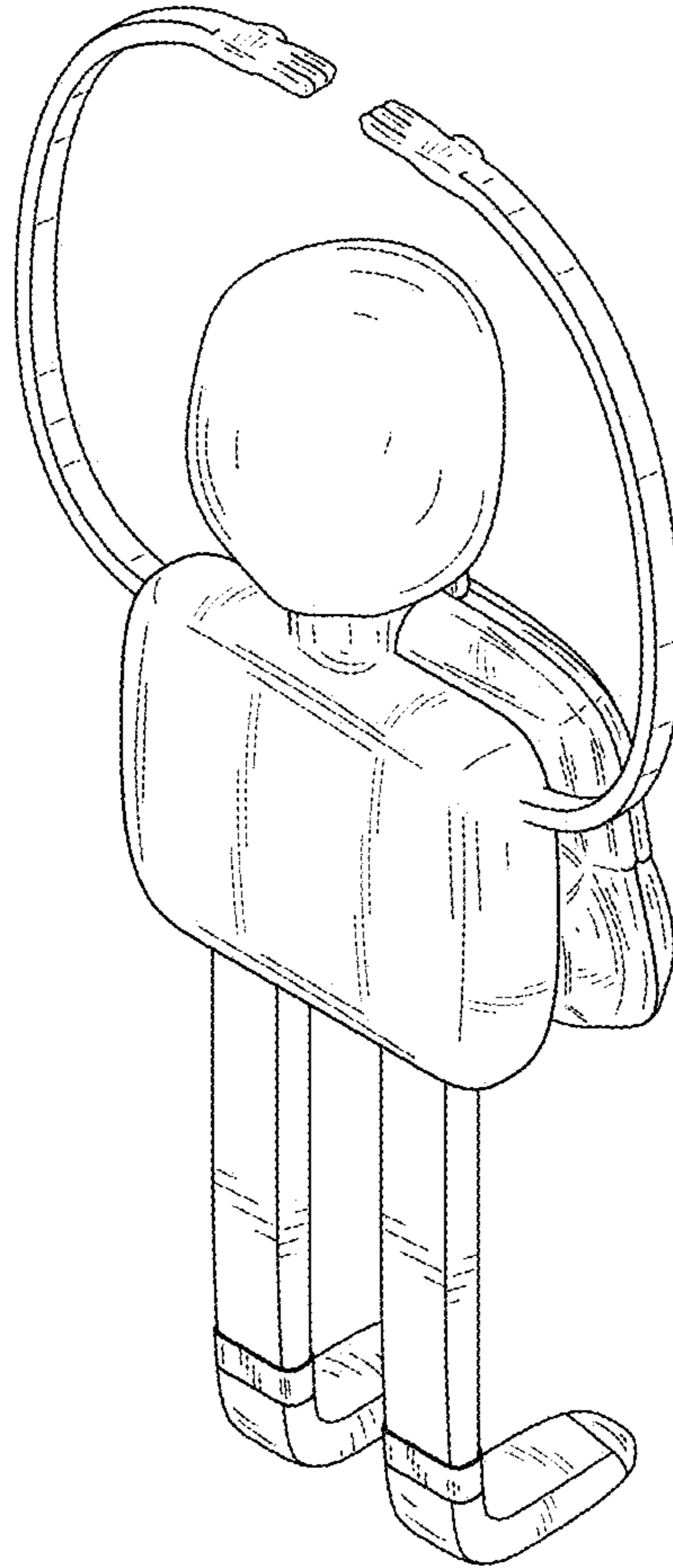


FIG. 2

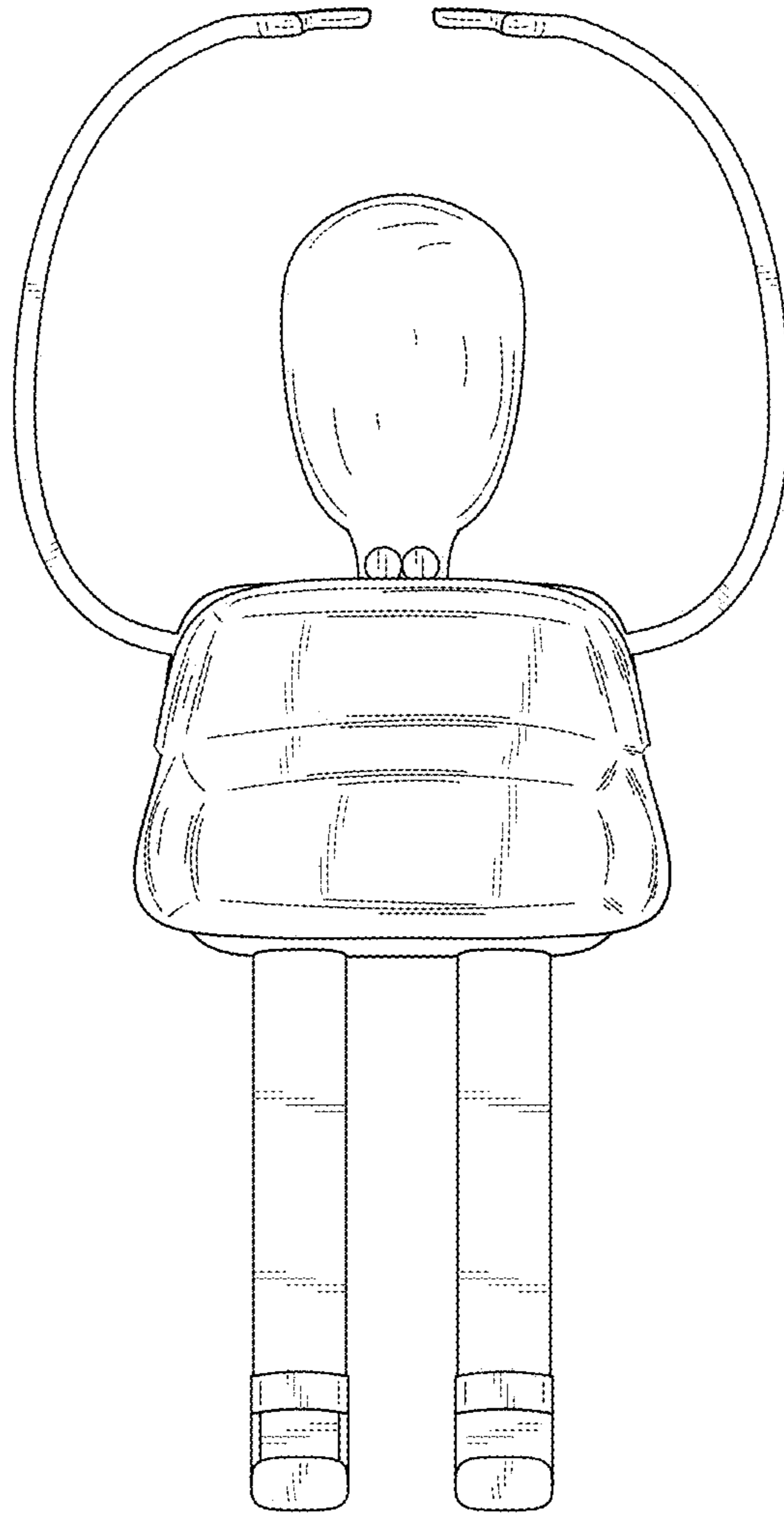


FIG. 3

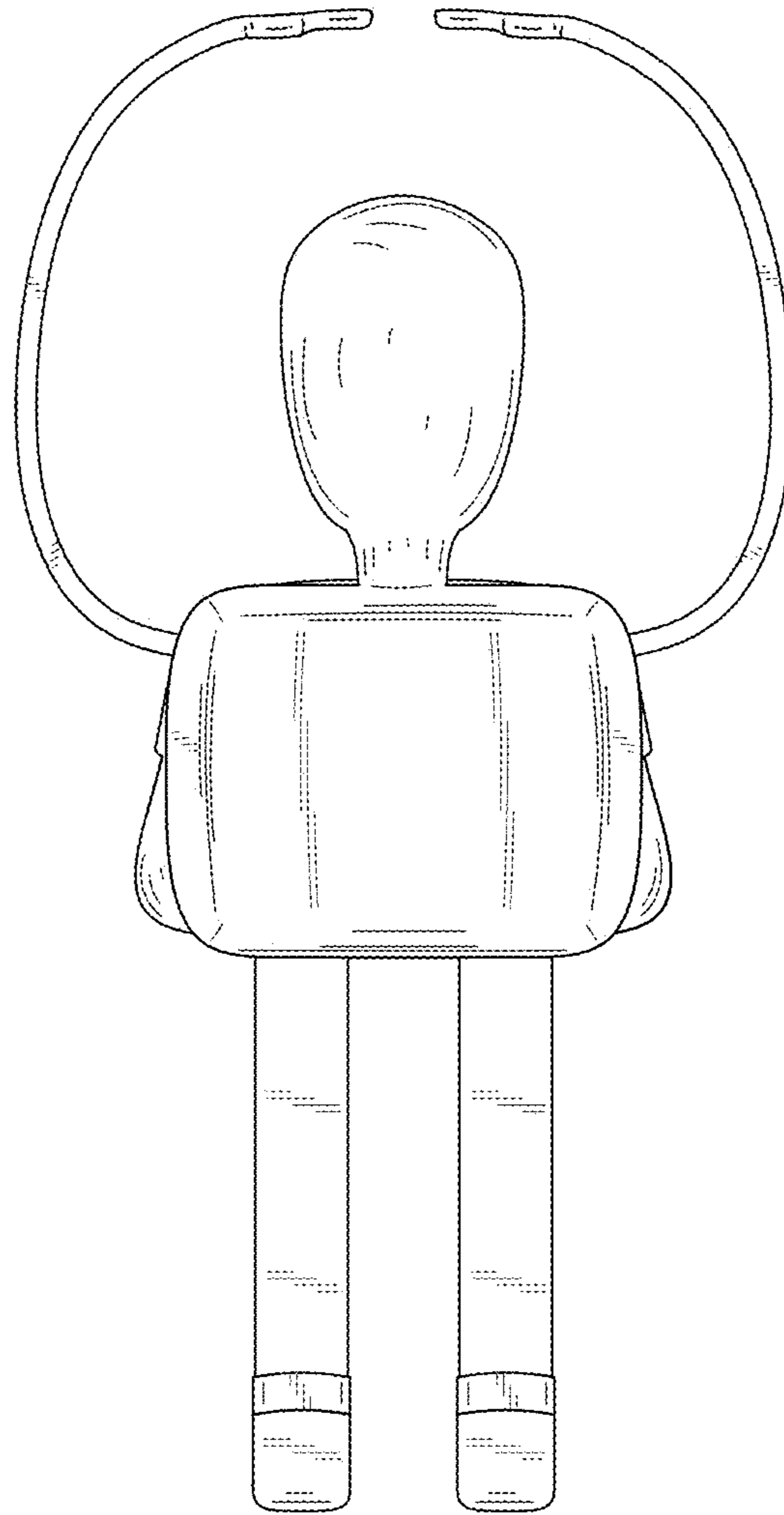


FIG. 4

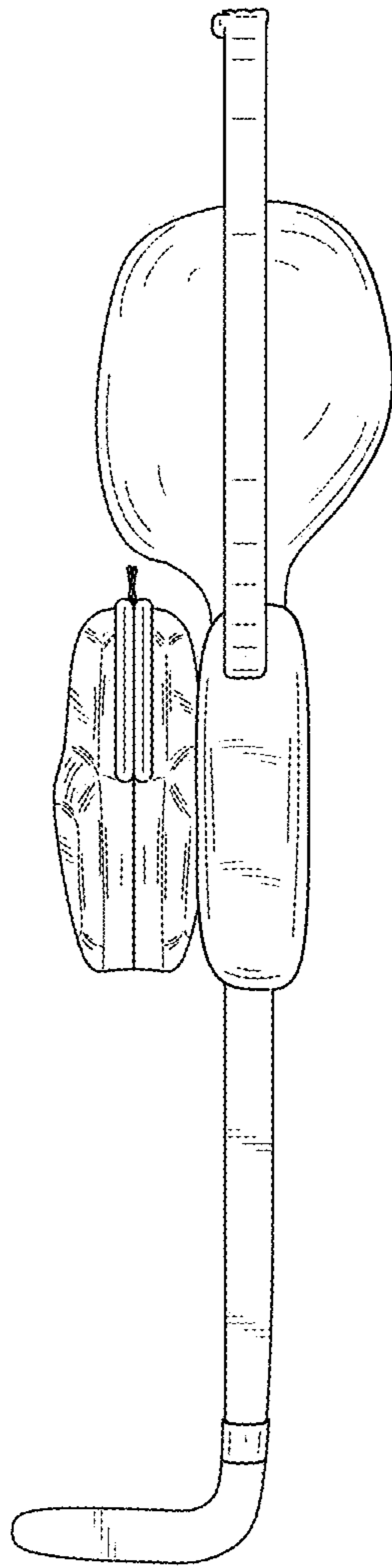


FIG. 5

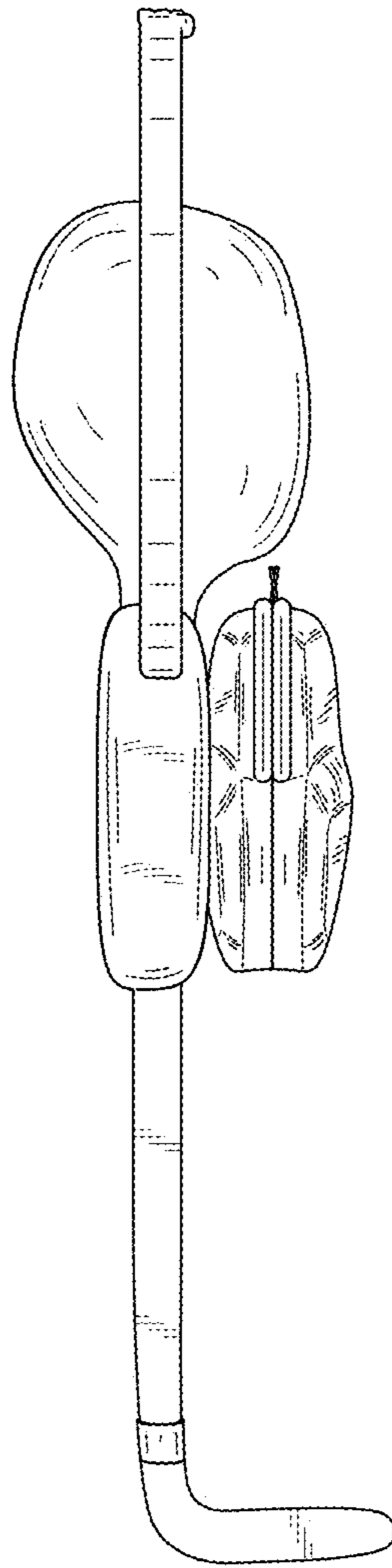


FIG. 6

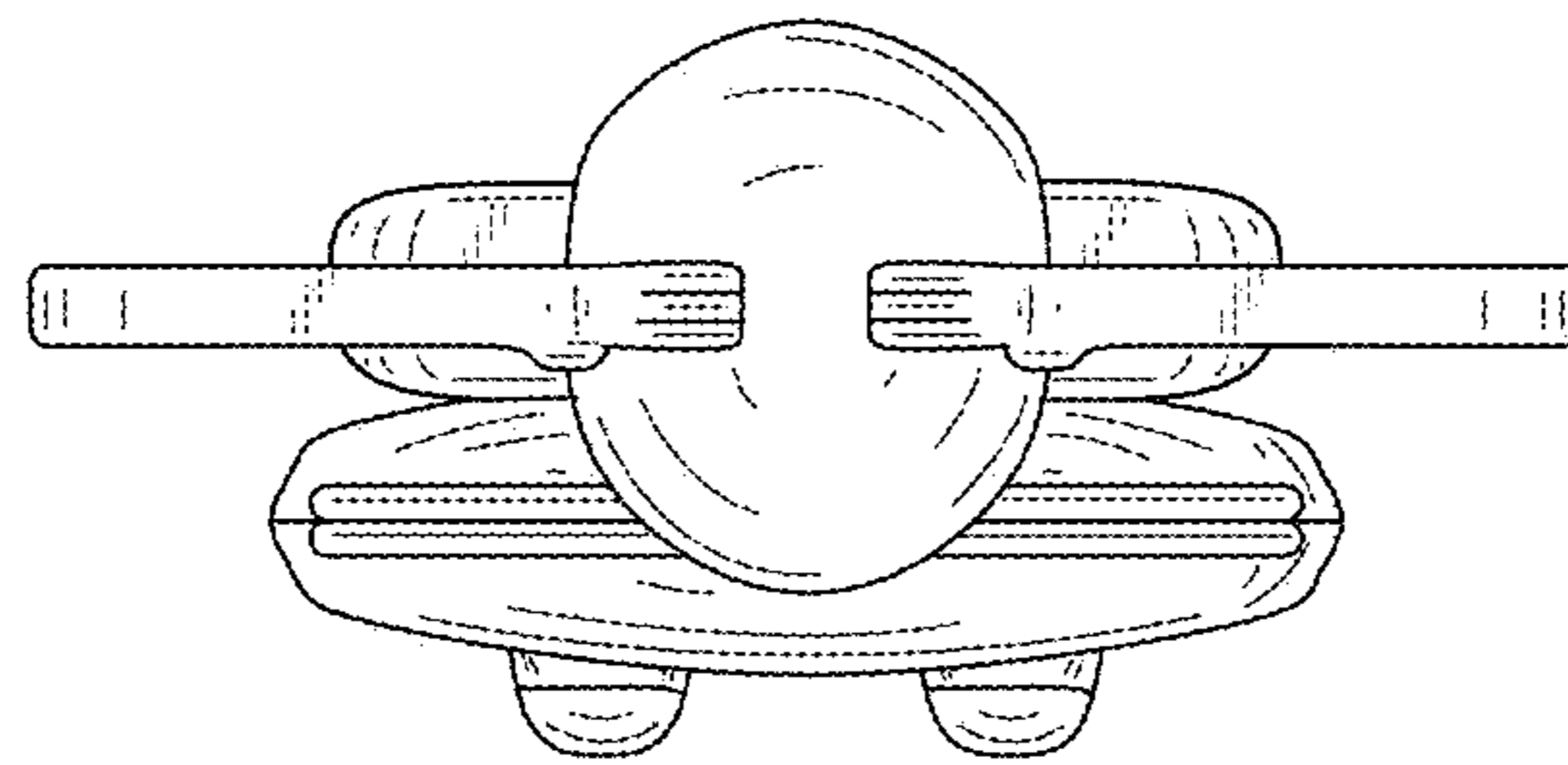


FIG. 7



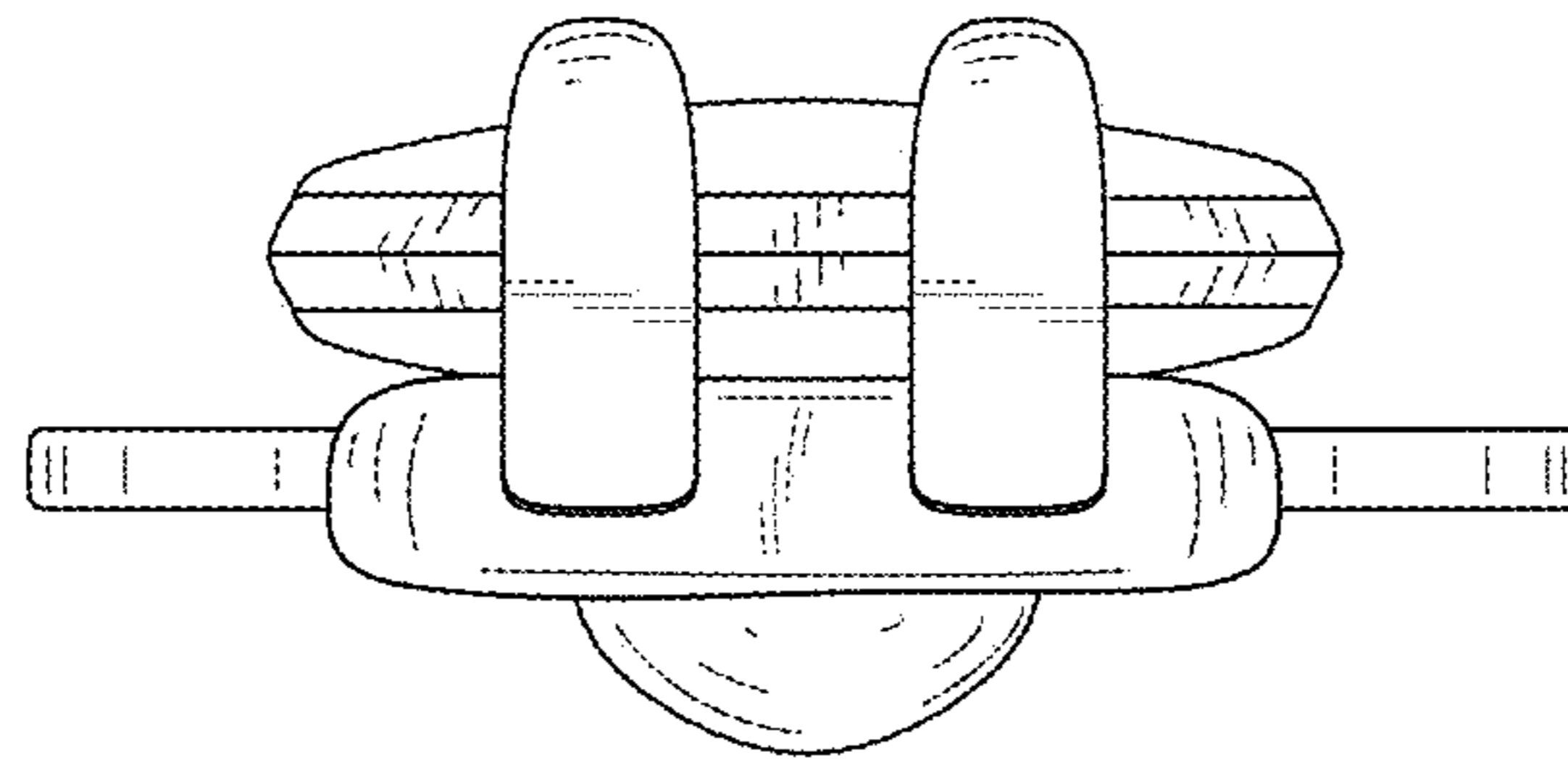


FIG. 8