



US00D868907S

(12) **United States Design Patent** (10) **Patent No.:** **US D868,907 S**
Liu (45) **Date of Patent:** **** Dec. 3, 2019**

(54) **TOY ROBOT**
(71) Applicant: **Wen-Rui Liu**, Shantou (CN)
(72) Inventor: **Wen-Rui Liu**, Shantou (CN)
(73) Assignee: **SHANTOU JIABAILE BABY PRODUCTS CO., LTD.**, Guangdong (CN)

D490,486 S * 5/2004 Hornsby D21/578
D685,438 S * 7/2013 Fan D15/199
D710,953 S * 8/2014 Katsutani D15/199
D746,384 S * 12/2015 Kantawala D21/621
D761,894 S * 7/2016 Ho D15/199
D822,770 S * 7/2018 Hsiao D21/578
D824,978 S * 8/2018 Amino D15/199
D825,010 S * 8/2018 Osentoski D21/578

* cited by examiner

Primary Examiner — Zenia I Bennett

(**) Term: **15 Years**

(21) Appl. No.: **29/653,161**

(22) Filed: **Jun. 13, 2018**

(51) **LOC (12) Cl.** **21-01**

(52) **U.S. Cl.**
USPC **D21/578**; D15/199

(58) **Field of Classification Search**
USPC D21/578–586; D19/59; D15/199
CPC . B25J 9/00; B25J 9/0003; B25J 9/0006; B25J
13/00; B25J 5/00; B25J 5/007
See application file for complete search history.

(56) **References Cited**

U.S. PATENT DOCUMENTS

D463,834 S * 10/2002 Hornsby D21/578
D480,768 S * 10/2003 Hornsby D21/578

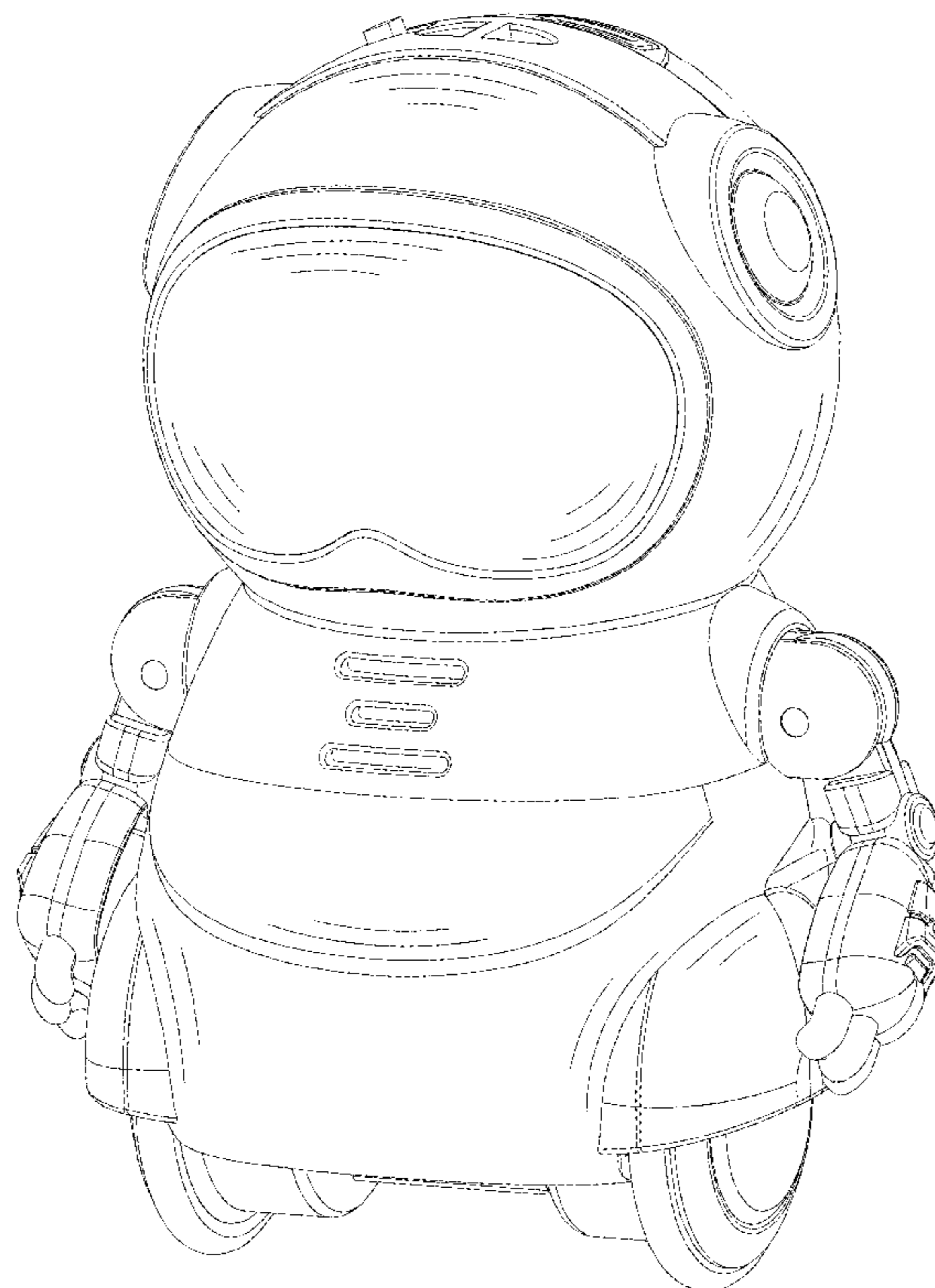
(57) **CLAIM**

I claim the ornamental design for a toy robot, as shown and described.

DESCRIPTION

FIG. 1 is a perspective view of a toy robot showing my new design;
FIG. 2 is a front elevational view thereof;
FIG. 3 is a top plan view thereof;
FIG. 4 is a left side elevational view thereof;
FIG. 5 is a rear elevational view thereof;
FIG. 6 is a right side view thereof; and,
FIG. 7 is a bottom plan view thereof.

1 Claim, 7 Drawing Sheets



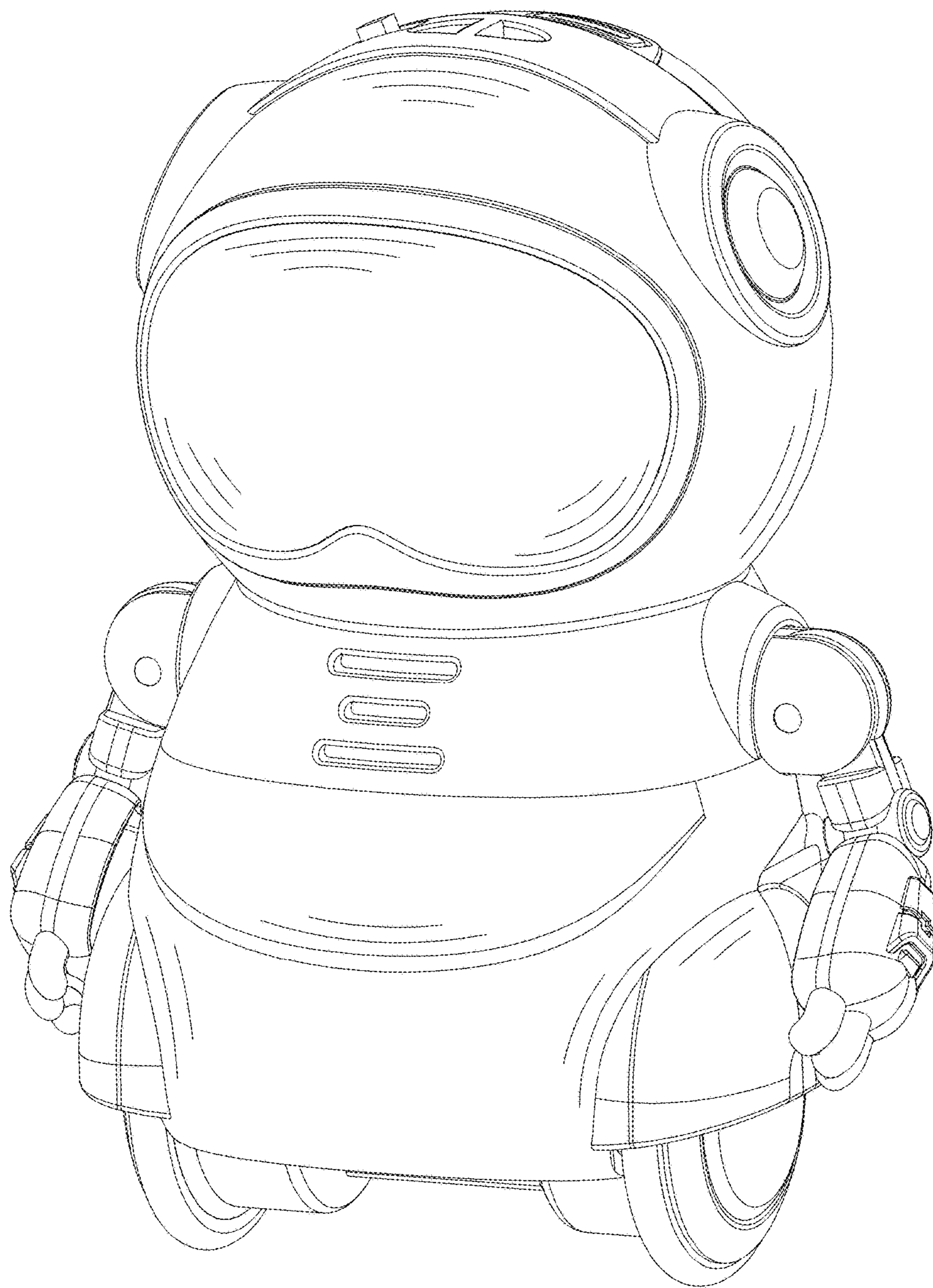


FIG. 1

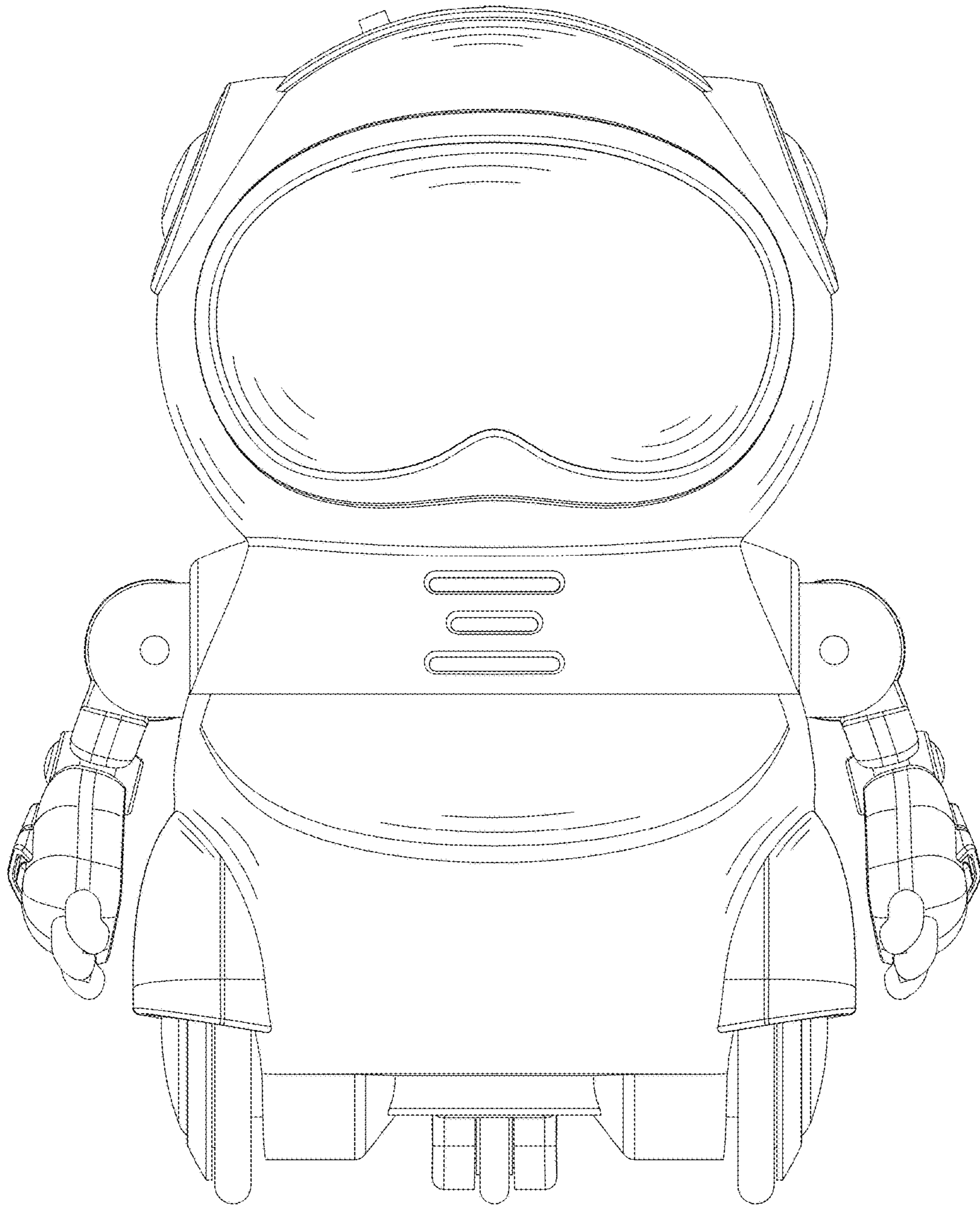


FIG. 2

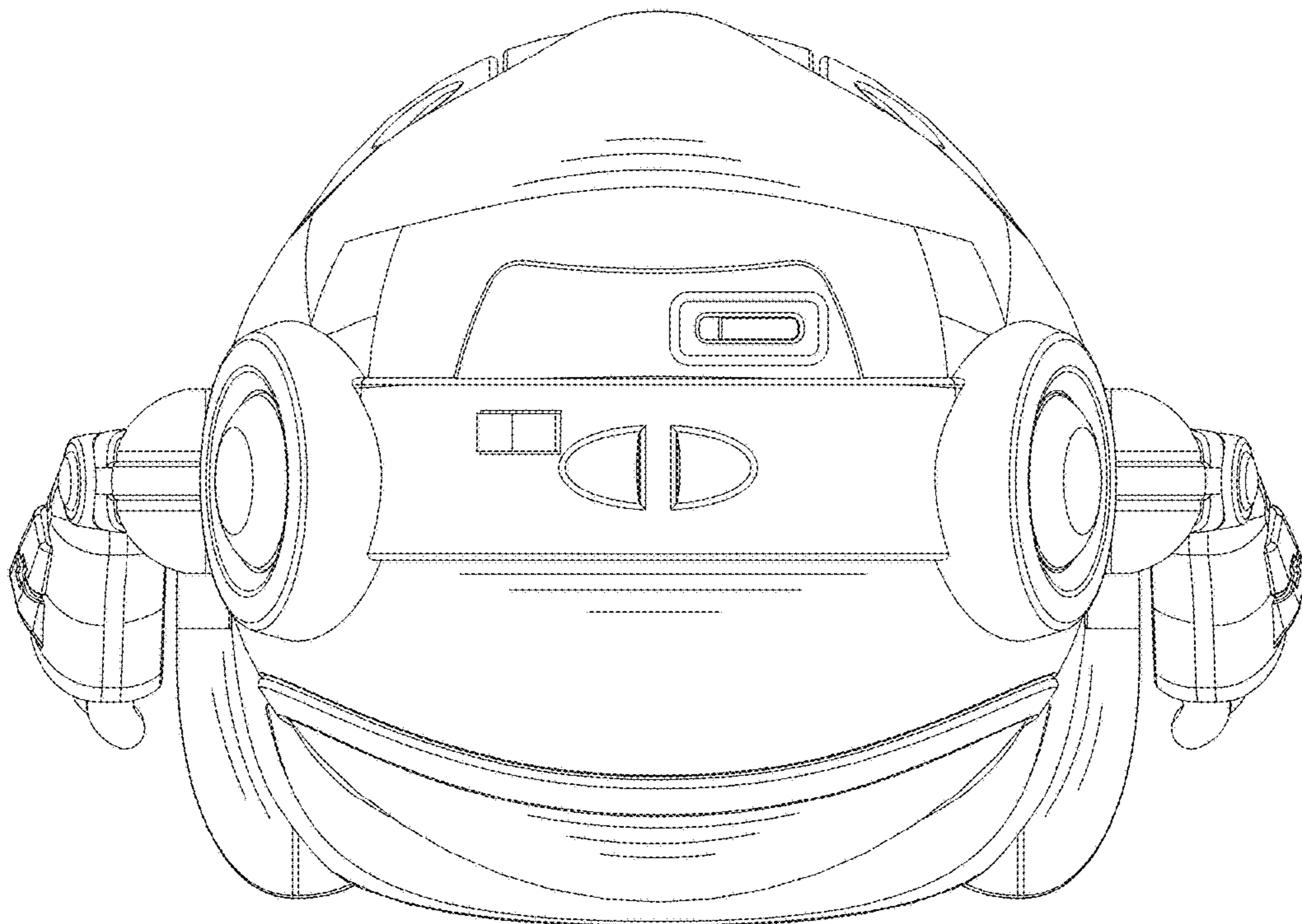


FIG. 3

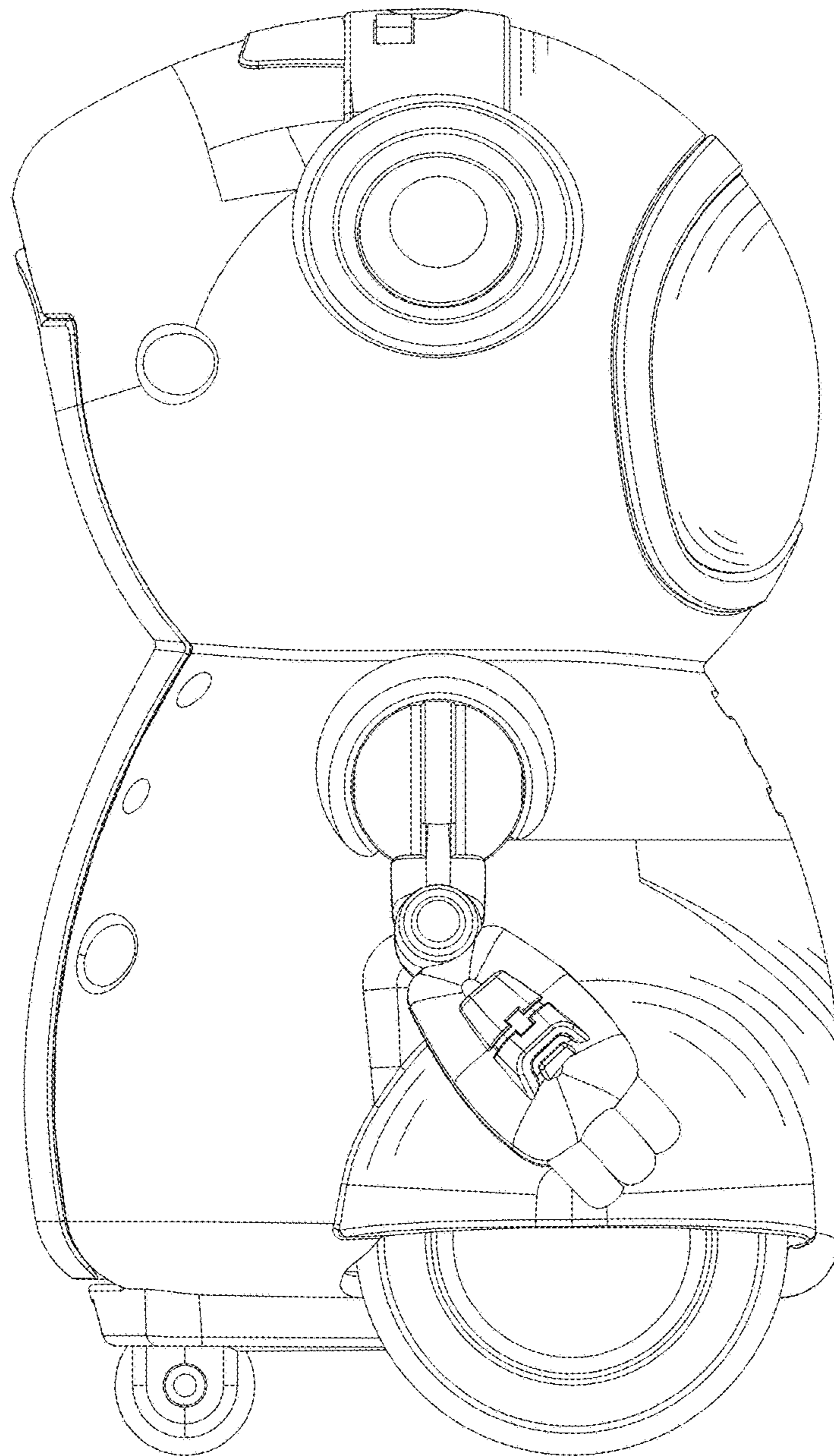


FIG. 4

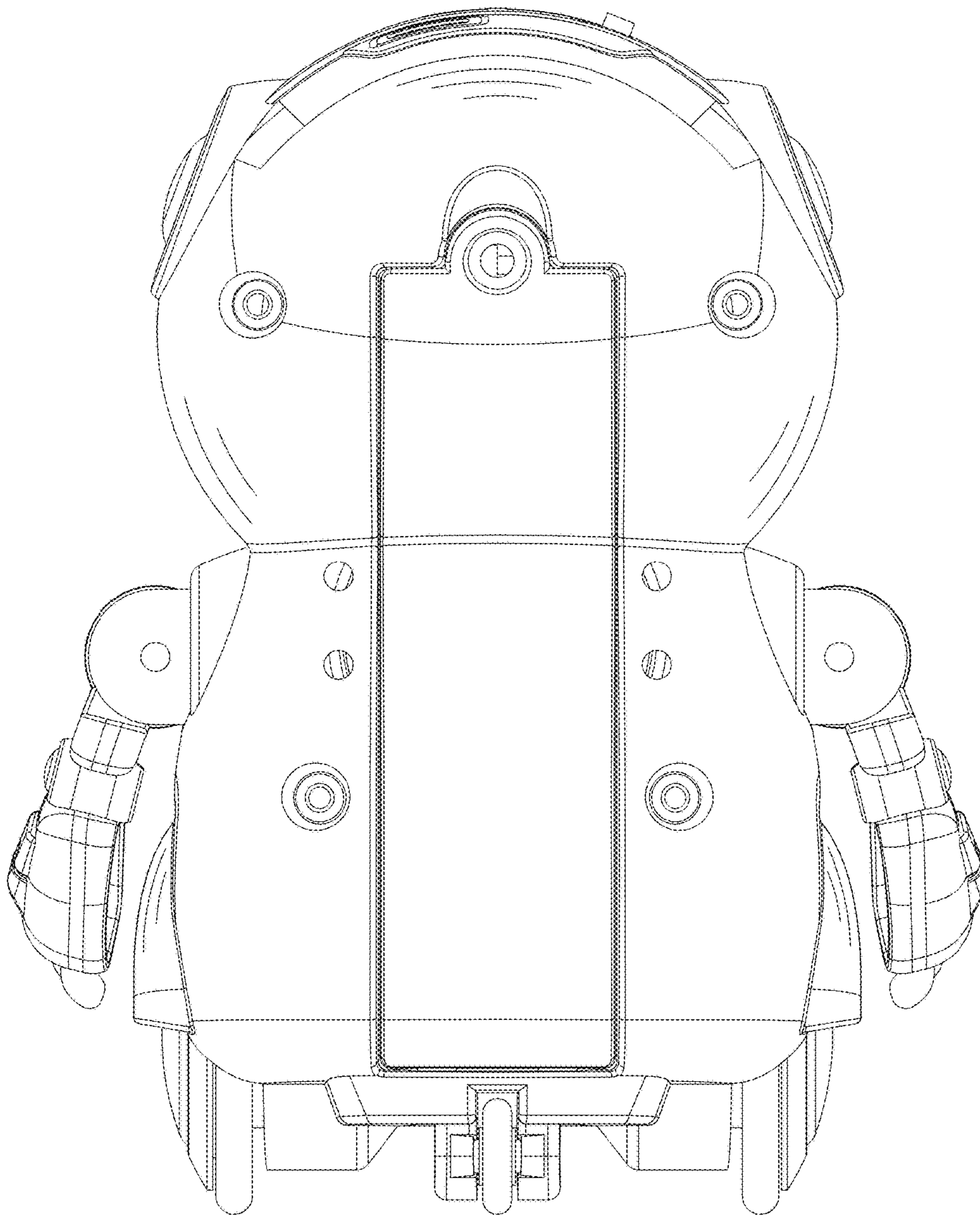


FIG. 5

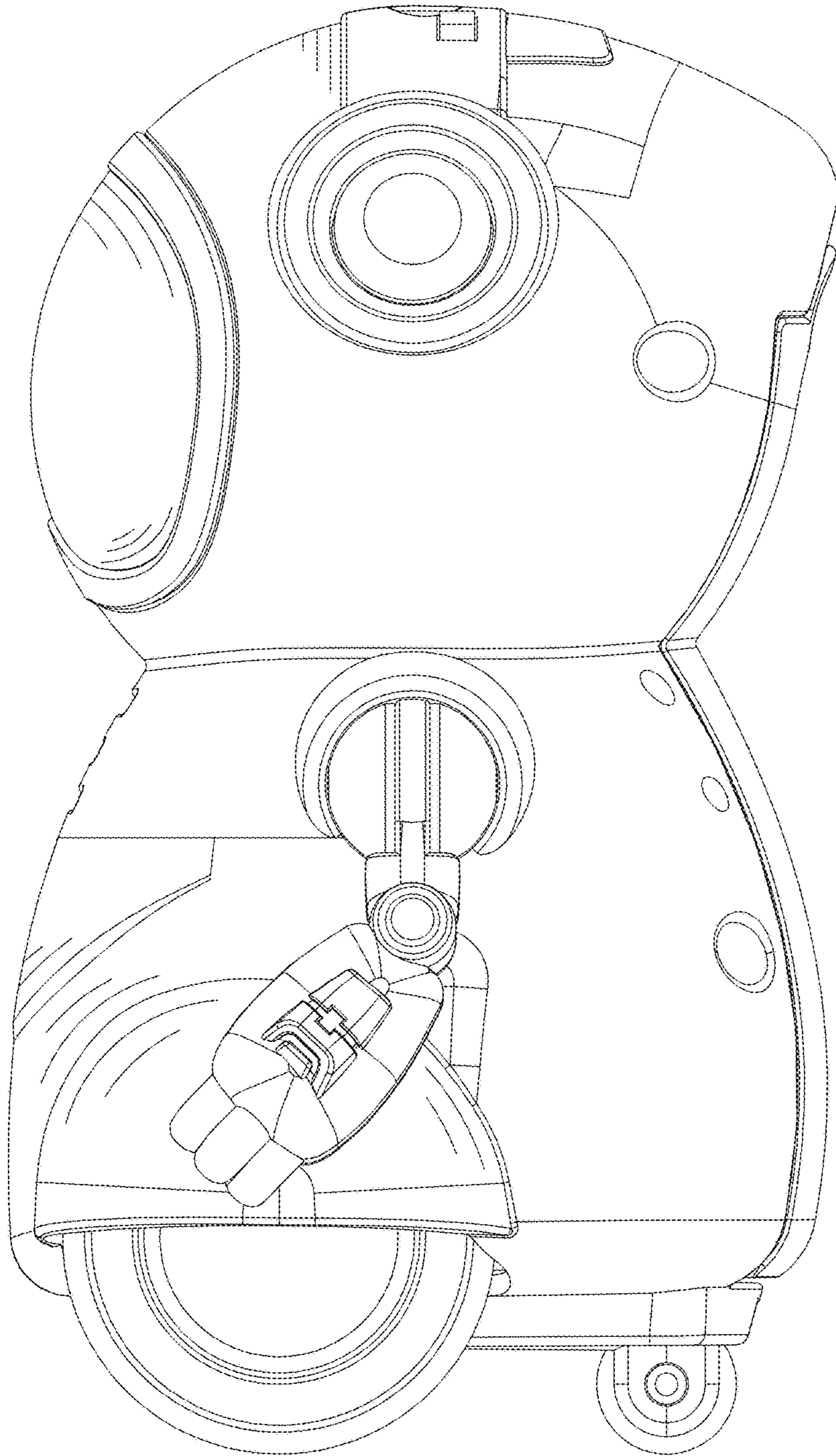


FIG. 6

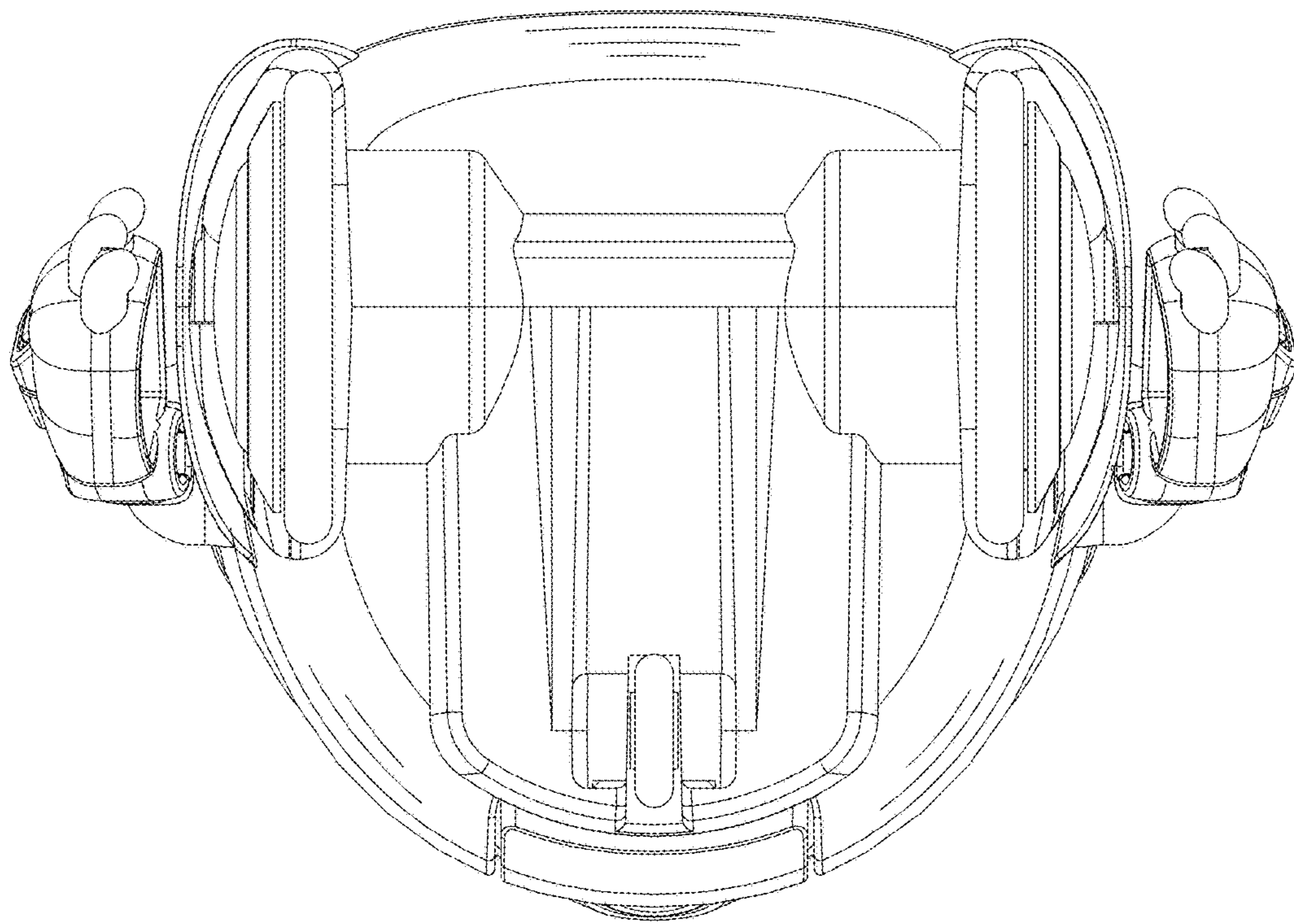


FIG. 7