



US00D868906S

(12) **United States Design Patent**  
**Chen**

(10) **Patent No.:** **US D868,906 S**

(45) **Date of Patent:** **\*\* Dec. 3, 2019**

- (54) **TOY BULLDOZER**
- (71) Applicant: **Bo Chen**, Guangdong (CN)
- (72) Inventor: **Bo Chen**, Guangdong (CN)
- (73) Assignee: **Shantou P&C Plastic Products Company Limited**, Guangdong (CN)
- (\*\*) Term: **15 Years**
- (21) Appl. No.: **29/666,370**
- (22) Filed: **Oct. 12, 2018**
- (30) **Foreign Application Priority Data**

Jul. 17, 2018 (CN) ..... ZL2018 3 0384875

- (51) **LOC (12) Cl.** ..... **21-01**
- (52) **U.S. Cl.**  
USPC ..... **D21/552**; D12/83
- (58) **Field of Classification Search**  
USPC ..... D12/86, 88, 90-92, 164, 173, 184-186,  
D12/190, 196; D21/419, 421, 423-426,  
D21/433-434, 537, 548, 549, 550, 552,  
D21/559, 561  
CPC .... A63H 17/26; A63H 17/262; A63H 17/264;  
A63H 17/266; A63H 17/36; A63H 17/38;  
A63H 29/00; A63H 29/22; A63H 29/24;  
A63H 30/04  
See application file for complete search history.

(56) **References Cited**

**U.S. PATENT DOCUMENTS**

- D262,391 S \* 12/1981 Kanaoki ..... D21/450
- D274,632 S \* 7/1984 Terui ..... D21/559
- D281,000 S \* 10/1985 Kuna ..... D21/559
- D281,987 S \* 12/1985 Catelli ..... D21/552
- D289,187 S \* 4/1987 Ohno ..... D21/580
- D312,488 S \* 11/1990 Kwan ..... D21/551

- 5,372,534 A \* 12/1994 Levy ..... A63H 17/26  
180/209
- D401,292 S \* 11/1998 Park ..... D21/537
- D421,073 S \* 2/2000 Wei ..... 15/25
- D424,130 S \* 5/2000 Wei ..... D21/537
- D425,142 S \* 5/2000 Wei ..... D21/552
- D443,318 S \* 6/2001 Tse ..... D21/559
- D454,602 S \* 3/2002 Tse ..... D21/552
- 6,508,320 B2 \* 1/2003 Huntsberger ..... B62K 9/00  
180/65.1
- D549,738 S \* 8/2007 Hiraoka ..... D15/25
- D678,425 S \* 3/2013 Foster ..... D21/537
- D721,769 S \* 1/2015 Johnson ..... D21/552
- D771,202 S \* 11/2016 Gan ..... D21/552
- D771,203 S \* 11/2016 Gan ..... D21/552
- D827,038 S \* 8/2018 Exley ..... D21/434
- D840,477 S \* 2/2019 Flores ..... D21/548
- D852,900 S \* 7/2019 Zhou ..... D21/552
- 2014/0170932 A1 \* 6/2014 Lee ..... A63H 17/26  
446/409

\* cited by examiner

*Primary Examiner* — Manpreet S Matharu

*Assistant Examiner* — Keith J Wilson

(74) *Attorney, Agent, or Firm* — Minder Law Group;  
Willy H. Wong

(57) **CLAIM**

The ornamental design for a toy bulldozer, as shown and described.

**DESCRIPTION**

FIG. 1 is a front view of a toy bulldozer in accordance with the present invention.

FIG. 2 is a back view thereof.

FIG. 3 is a right view thereof.

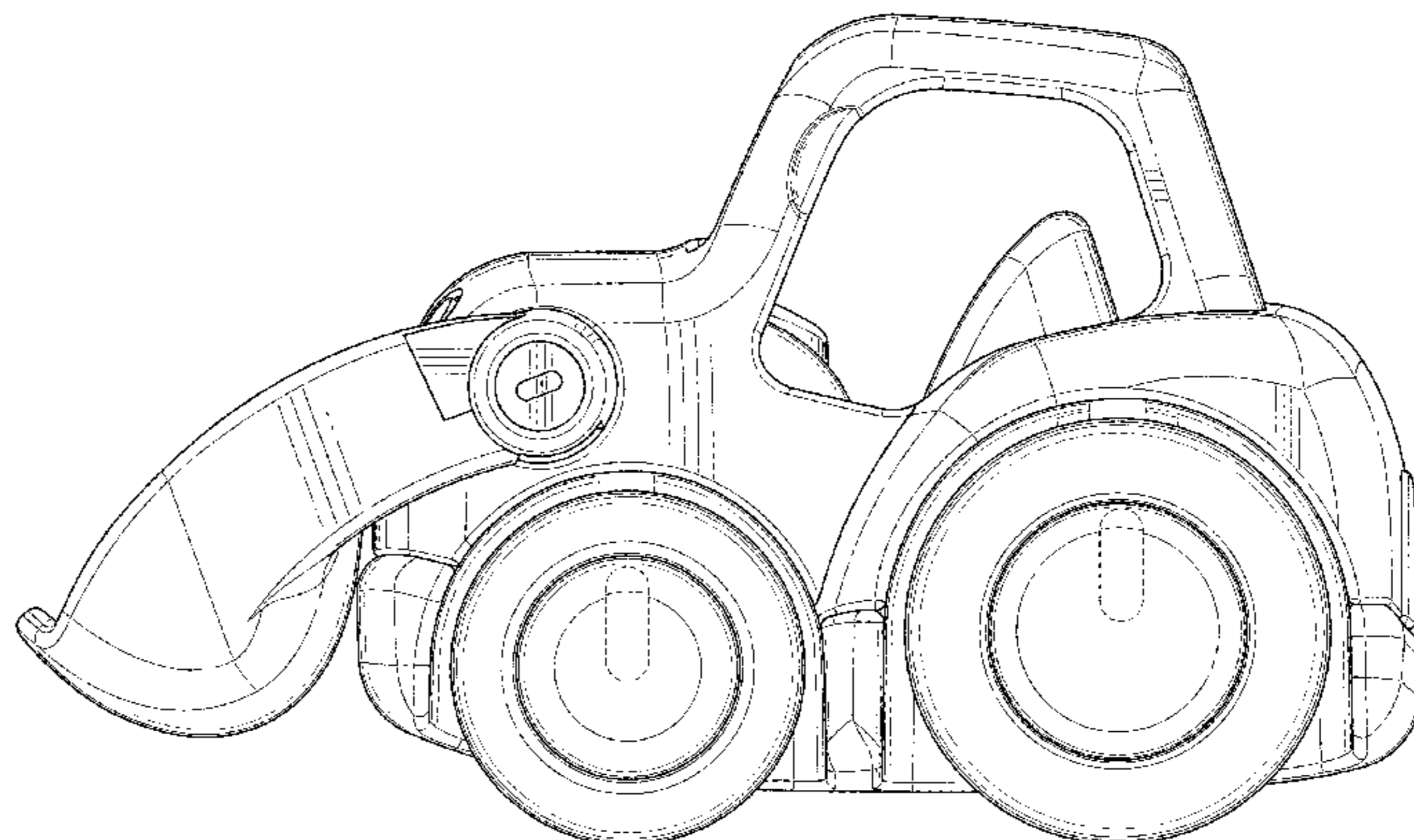
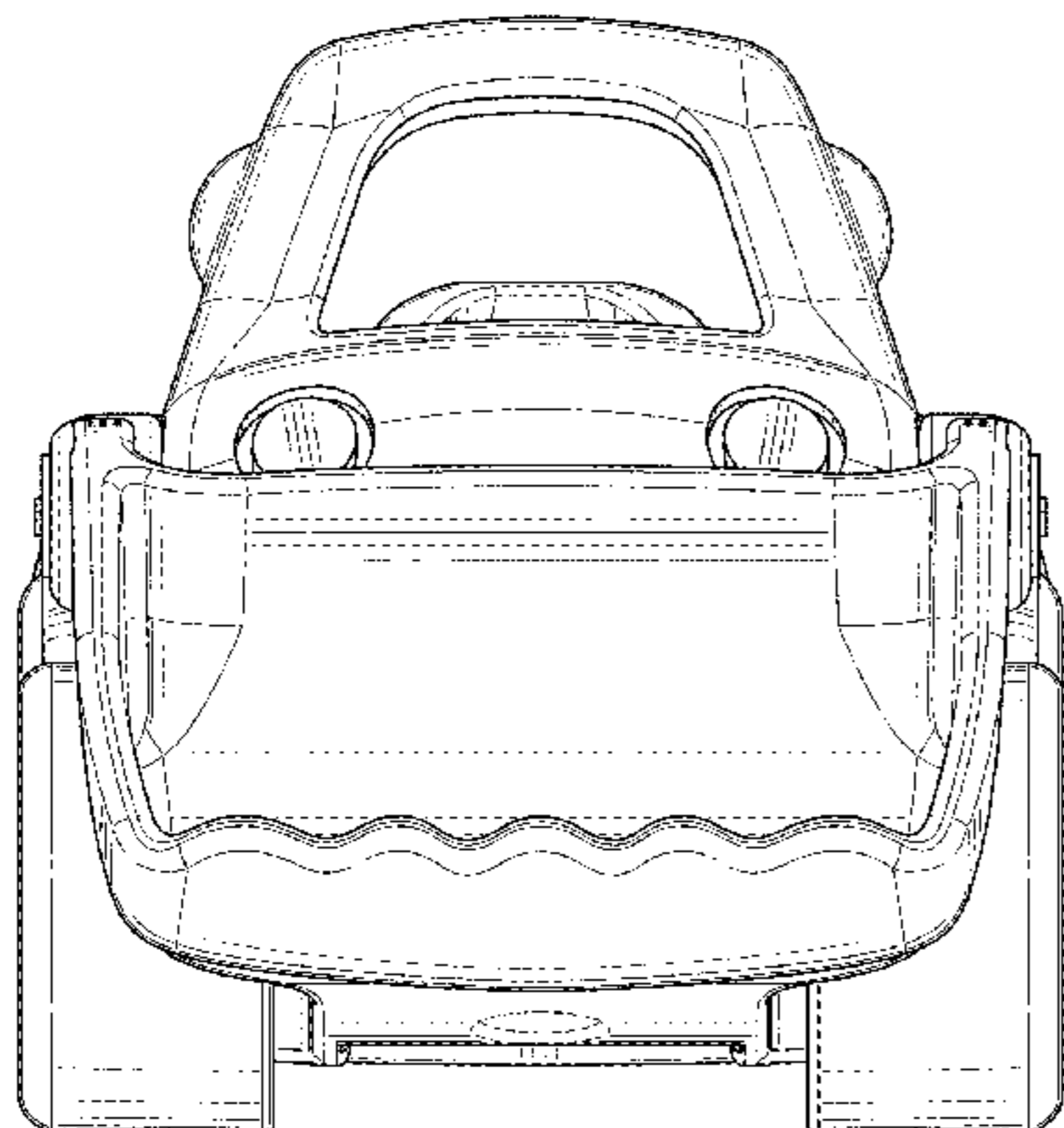
FIG. 4 is a left view thereof.

FIG. 5 is a top view thereof; and,

FIG. 6 is a bottom view thereof.

The broken lines show portions of the toy bulldozer that form no part of the claimed design.

**1 Claim, 6 Drawing Sheets**



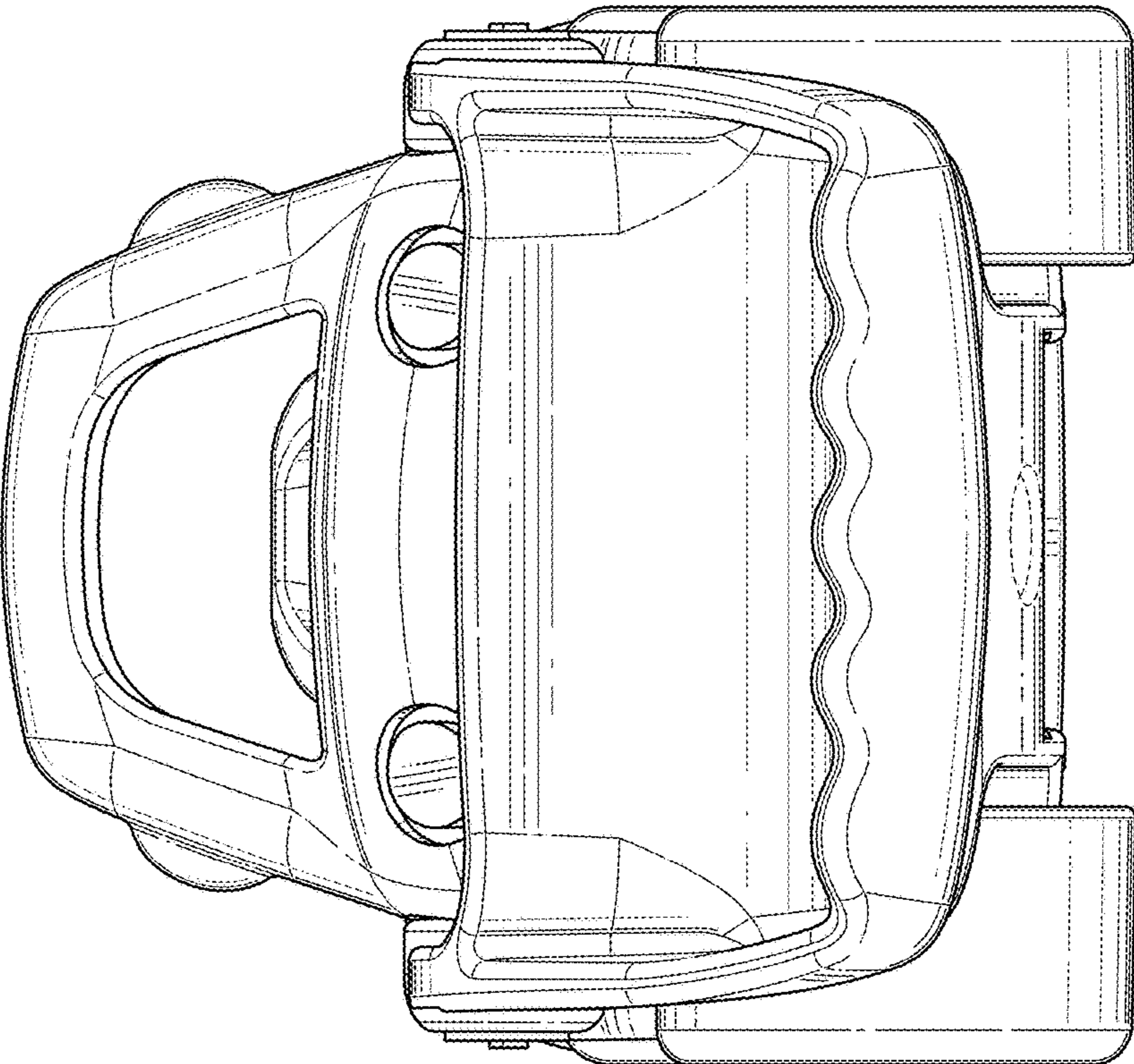


FIG. 1

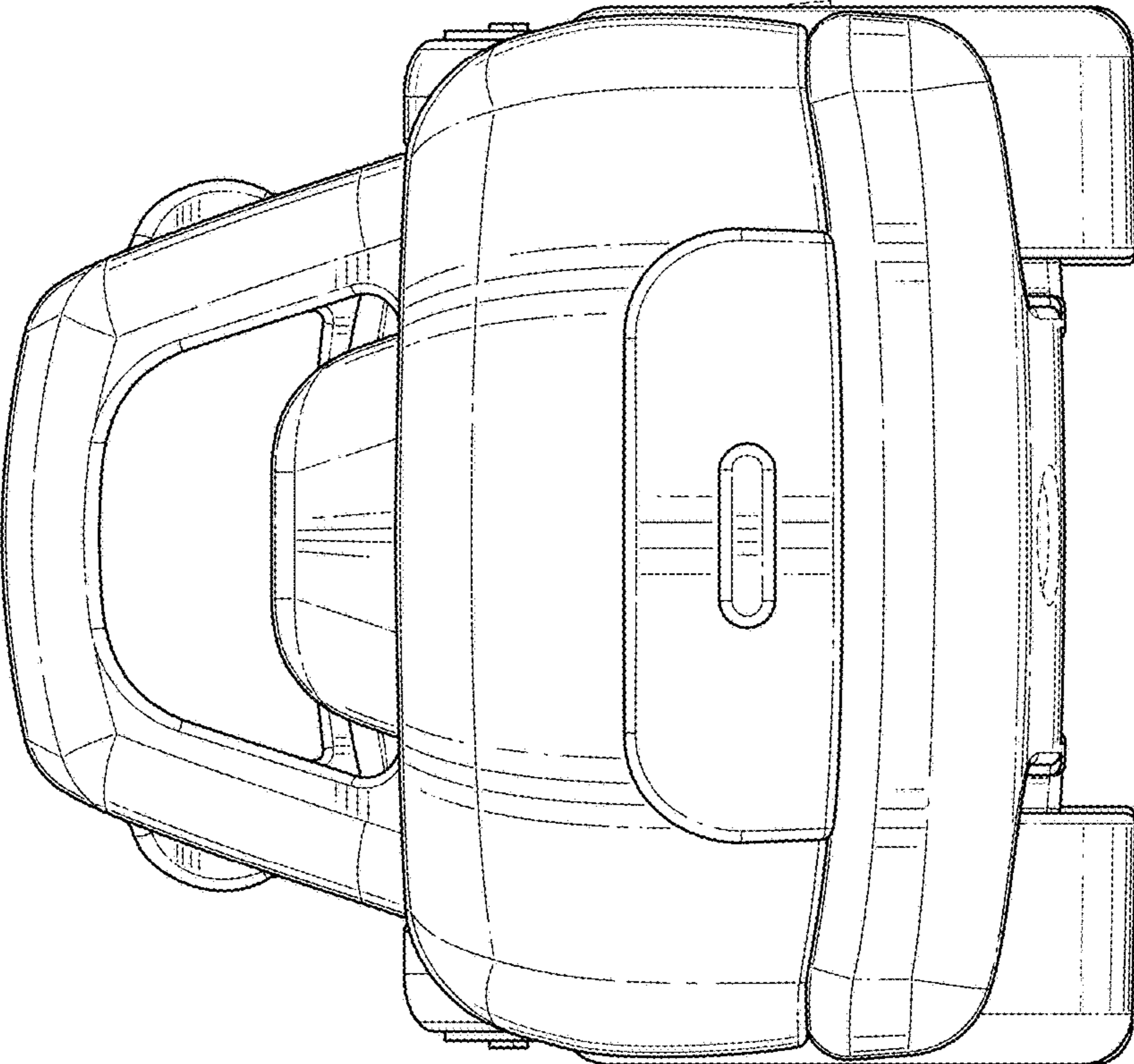


FIG. 2

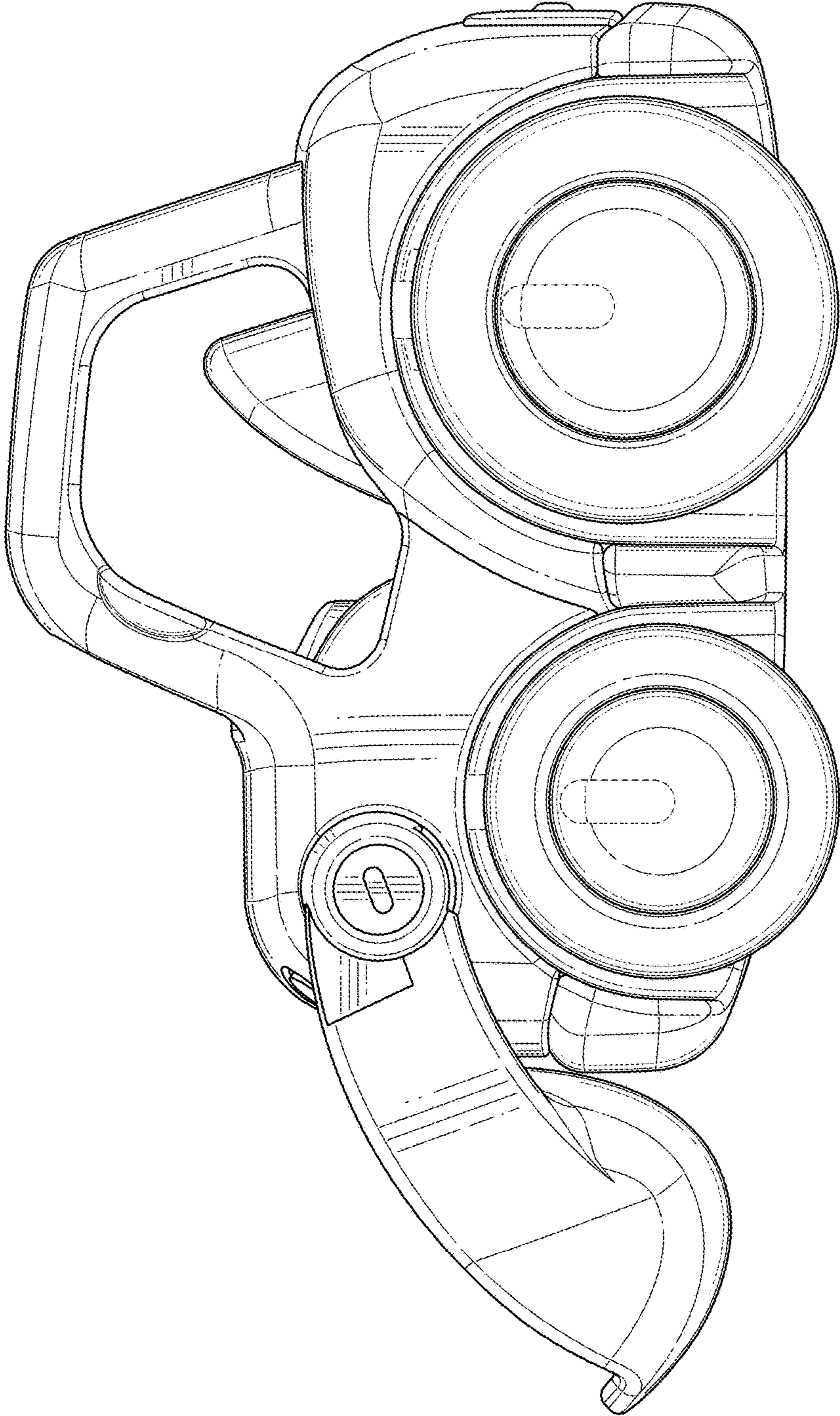


FIG. 3

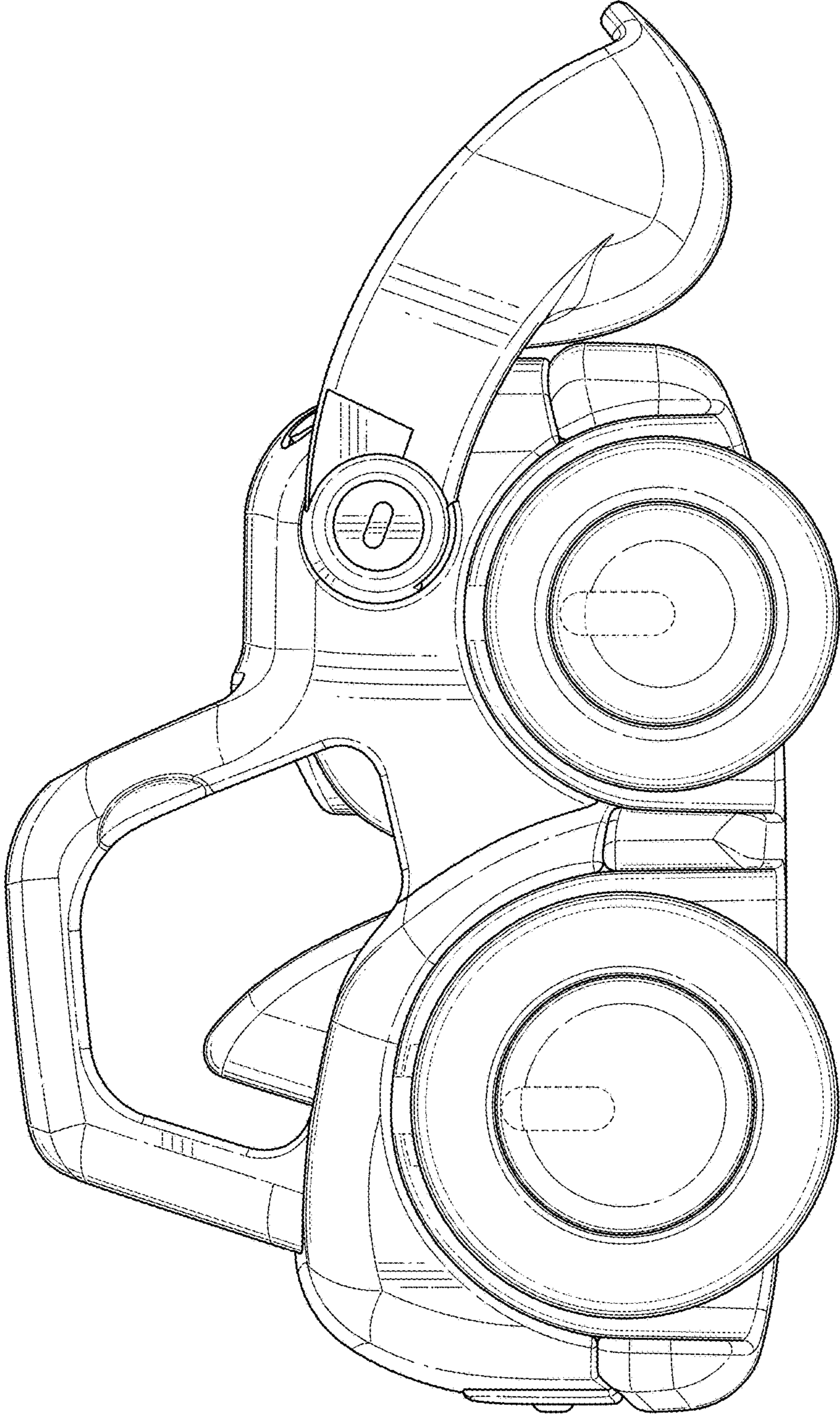


FIG. 4

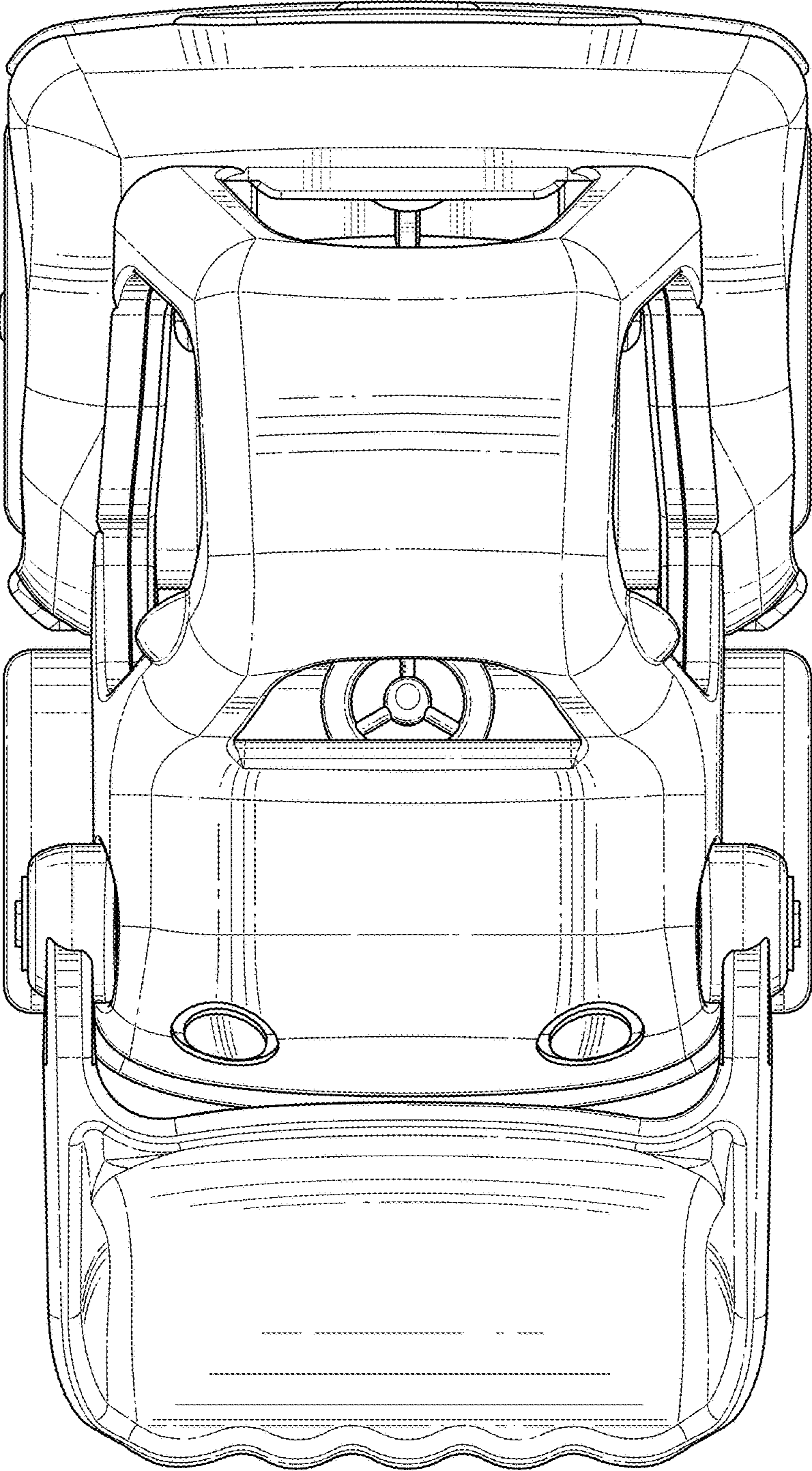


FIG. 5

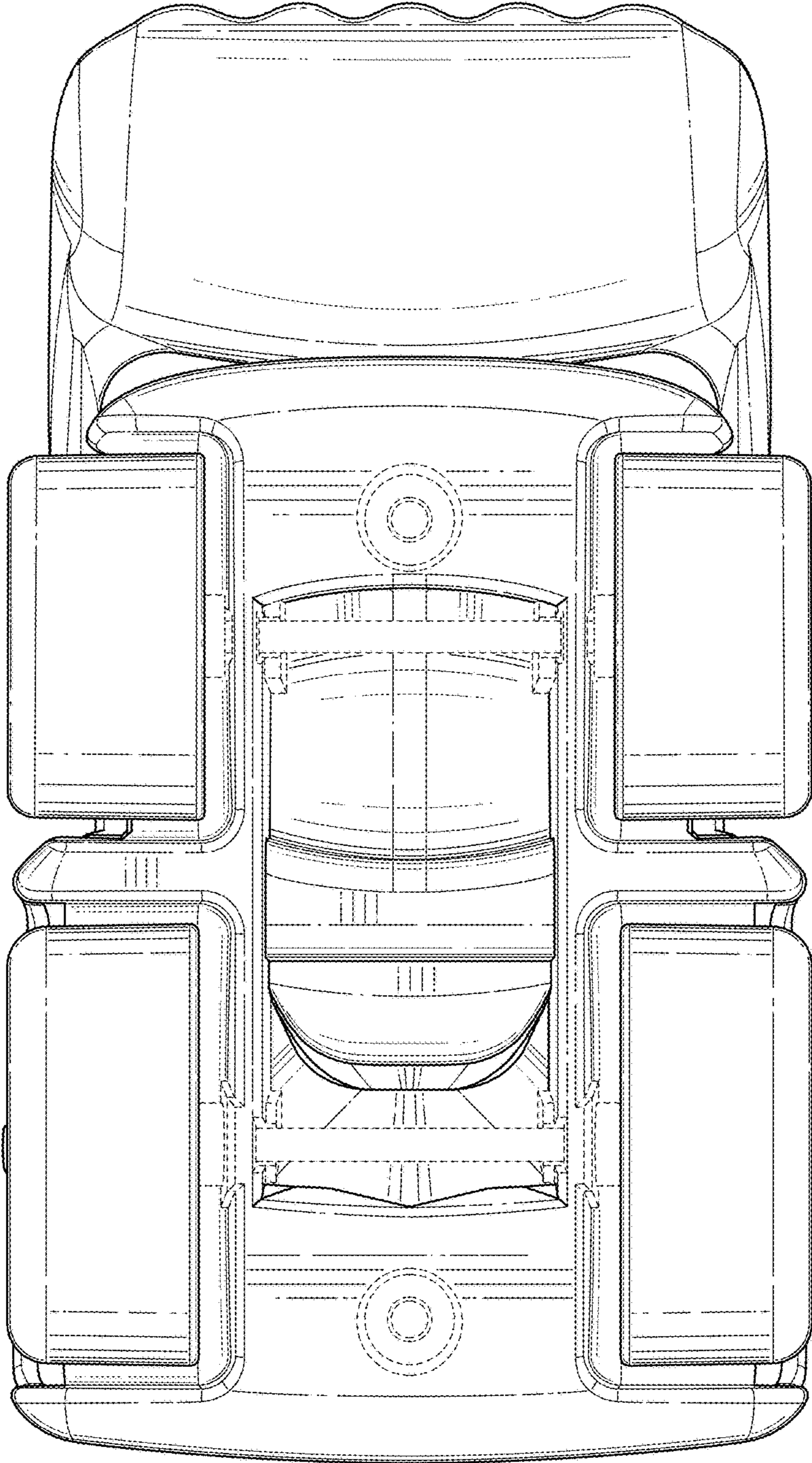


FIG. 6