



US00D868904S

(12) **United States Design Patent**
Mølgaard et al.

(10) **Patent No.:** **US D868,904 S**

(45) **Date of Patent:** **** Dec. 3, 2019**

(54) **TOY BUILDING ELEMENT**

(71) Applicant: **LEGO A/S**, Billund (DK)

(72) Inventors: **Rikke Høgstrup Mølgaard**, Åbyhøj (DK); **Søren Hansen Hinge**, Århus N (DK); **Søren Holm**, Vejle (DK)

(73) Assignee: **LEGO A/S**, Billund (DK)

(**) Term: **15 Years**

(21) Appl. No.: **29/635,009**

(22) Filed: **Jan. 26, 2018**

(30) **Foreign Application Priority Data**

Aug. 11, 2017 (EM) 004143824

(51) **LOC (12) Cl.** **21-01**

(52) **U.S. Cl.**
USPC **D21/500**; D21/491

(58) **Field of Classification Search**
USPC D21/484, 486, 489, 491, 492, 493, 494, D21/495, 500, 501, 502, 503, 504
CPC A63H 33/04; A63H 33/044; A63H 33/06; A63H 33/062; A63H 33/10; A63H 33/101; A63H 33/108
See application file for complete search history.

(56) **References Cited**

U.S. PATENT DOCUMENTS

D290,628 S * 6/1987 Dideriksen 446/128
D295,541 S * 5/1988 Knudsen D21/484

D335,159 S * 4/1993 Olsen D21/503
5,391,103 A * 2/1995 Mak A63H 33/06
446/124
D380,789 S * 7/1997 Gabriel D21/491
D614,250 S * 4/2010 Frederiksen D21/501
D620,989 S * 8/2010 Ryaa D21/501
D694,222 S * 11/2013 Thompson D14/238.1
D731,596 S * 6/2015 Jensen D21/491
D736,862 S * 8/2015 Karunaratne D21/491
D748,203 S * 1/2016 Karunaratne D21/491
D777,845 S * 1/2017 Marcil D21/491
D786,983 S * 5/2017 Cote D21/491
D800,844 S * 10/2017 Cote D21/491
D801,442 S * 10/2017 Cote D21/491

* cited by examiner

Primary Examiner — Cynthia M. Chin

(74) *Attorney, Agent, or Firm* — Day Pitney LLP

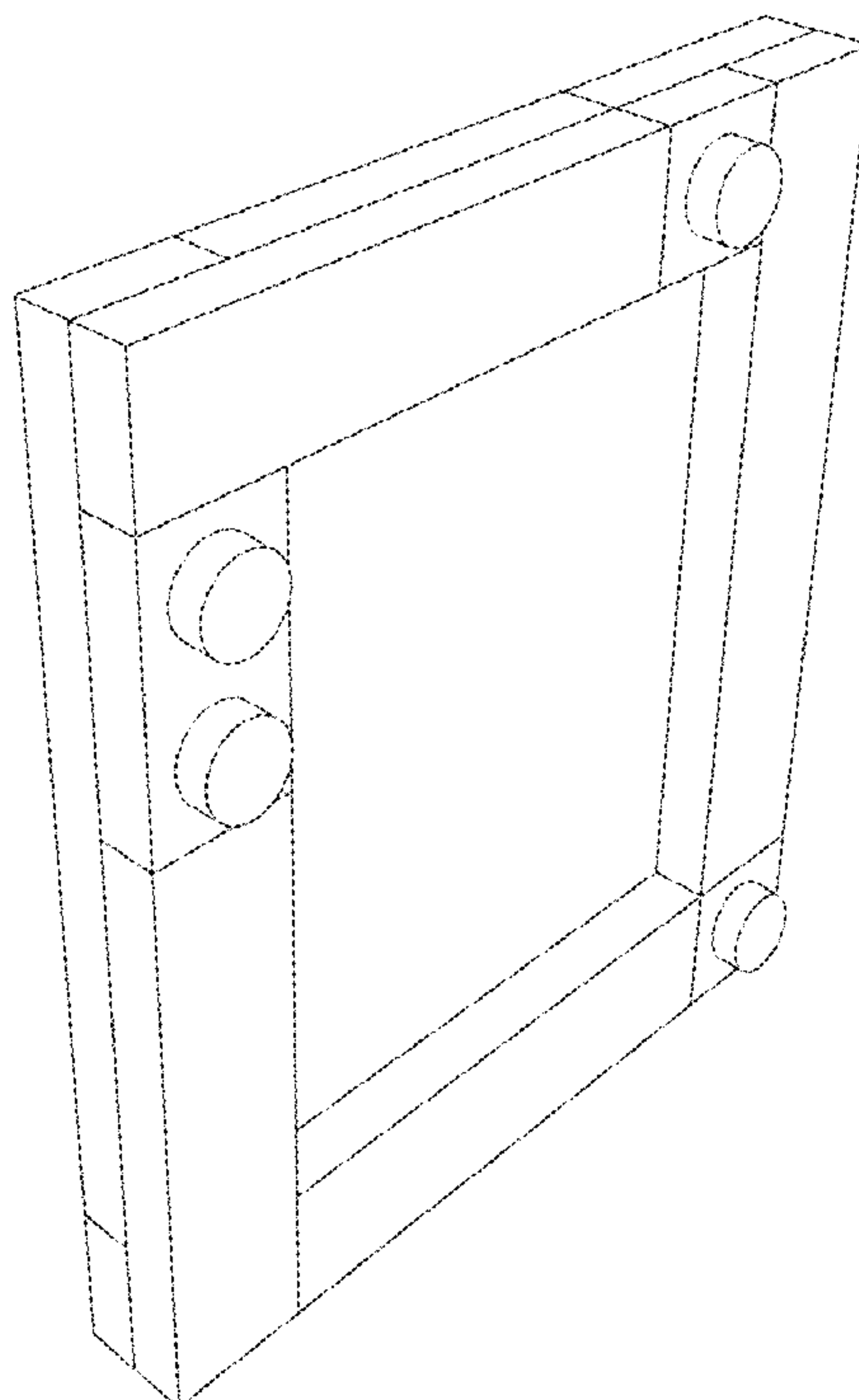
(57) **CLAIM**

The ornamental design for a toy building element, as shown and described.

DESCRIPTION

FIG. 1 is a top perspective view of an ornamental design for toy building element;
FIG. 2 is a left side elevational view thereof;
FIG. 3 is a top plan view thereof;
FIG. 4 is a front elevational view thereof;
FIG. 5 is a bottom plan view thereof;
FIG. 6 is a rear elevational view thereof; and,
FIG. 7 is a right side elevational view thereof.
The broken lines in FIG. 5 are for the purpose of illustrating portions of the article that form no part of the claim.

1 Claim, 7 Drawing Sheets



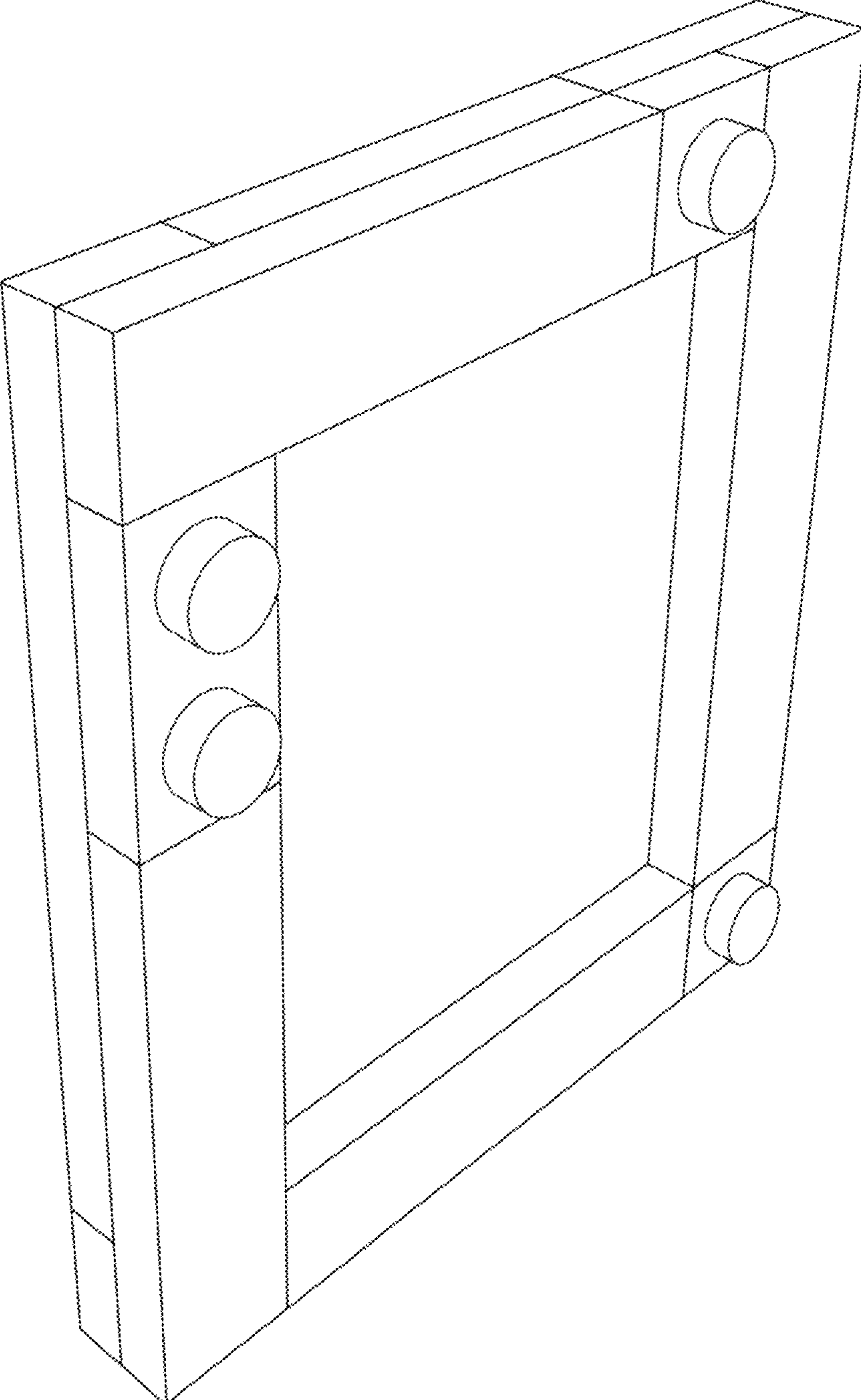


FIG. 1

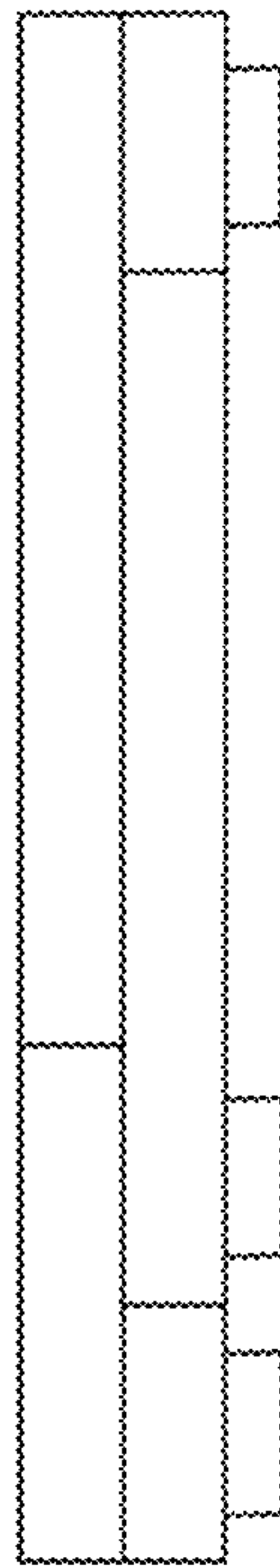


FIG. 2

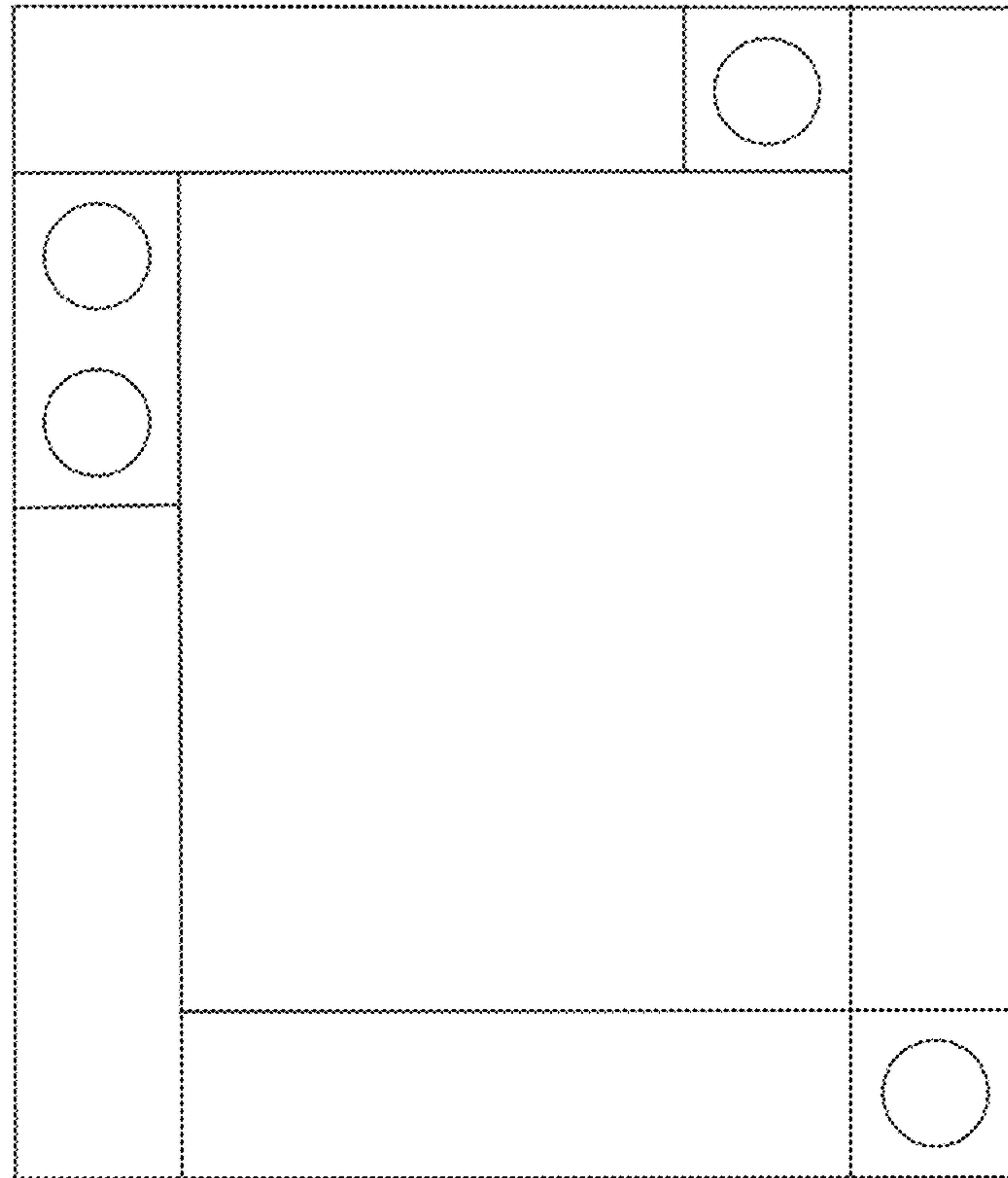


FIG. 3

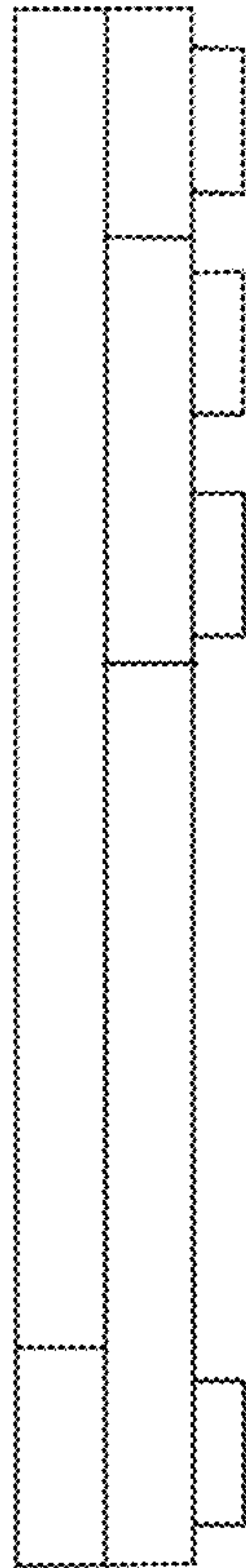


FIG. 4

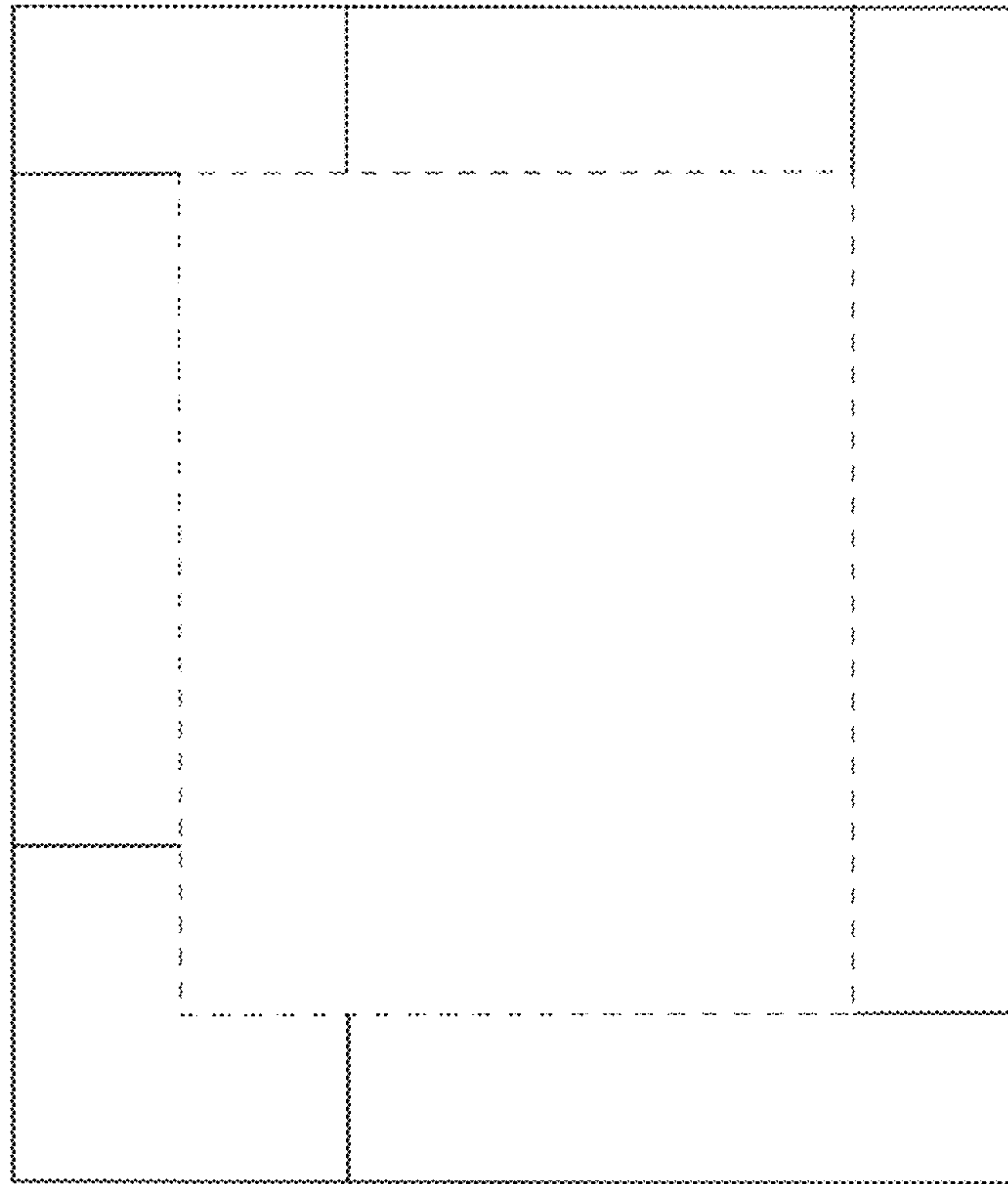


FIG. 5

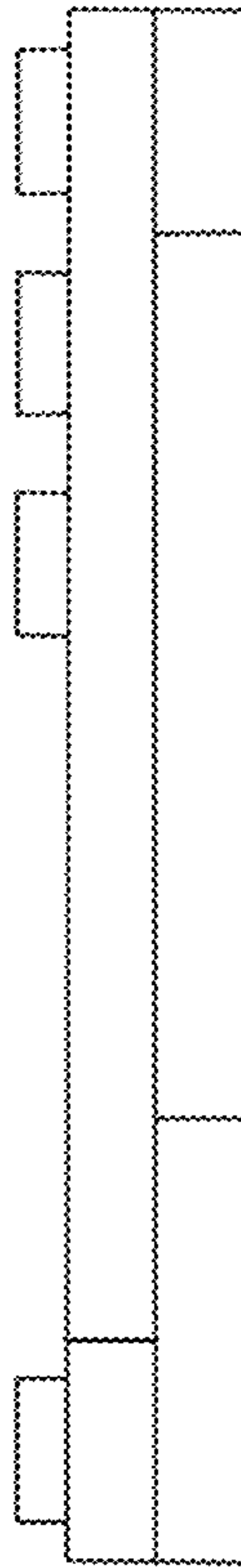


FIG. 6

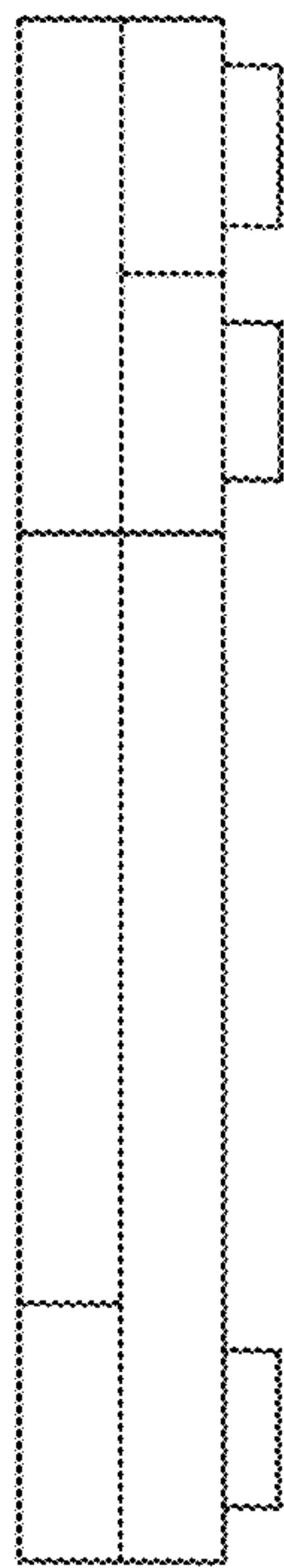


FIG. 7