



US00D868903S

(12) **United States Design Patent**
Paolino, Jr. et al.

(10) **Patent No.:** **US D868,903 S**
(45) **Date of Patent:** **** Dec. 3, 2019**

- (54) **LAUNCHING APPARATUS FOR SPINNING TOP TOY**
- (71) Applicant: **TOMY COMPANY, LTD.**, Tokyo (JP)
- (72) Inventors: **Michelino Paolino, Jr.**, Rumford, RI (US); **Thomas Maguire**, Warwick, RI (US); **Luke Christopher Lohan**, Abington, MA (US); **Hiroyuki Hama**, Tokyo (JP); **Hiroyuki Matsukawa**, Tokyo (JP)
- (73) Assignee: **TOMY COMPANY, LTD.**, Tokyo (JP)
- (**) Term: **15 Years**
- (21) Appl. No.: **29/667,990**
- (22) Filed: **Oct. 26, 2018**
- (51) **LOC (12) Cl.** **21-01**
- (52) **U.S. Cl.**
USPC **D21/461**; D21/599
- (58) **Field of Classification Search**
USPC D21/454, 455–464, 561, 566, 570;
446/38–45, 236–266, 429, 430, 462, 489
CPC A63H 1/00–06; A63H 1/12; A63H 17/008;
A63H 27/14; A63H 29/00; A63H 29/20;
A63H 29/24; A63H 31/06; A63H 31/08;
A63F 9/16
See application file for complete search history.

- D325,068 S * 3/1992 Gaury D1/100
 - D334,696 S * 4/1993 Makris D21/599
 - D353,633 S * 12/1994 Nonaka D21/461
 - D433,899 S * 11/2000 Saffron D8/18
 - D451,774 S * 12/2001 Kelleghan D8/18
 - 6,743,070 B1 * 6/2004 Lin A63H 1/02
446/15
 - D500,648 S * 1/2005 Kelleghan D8/38
 - D639,349 S * 6/2011 Horikoshi D21/461
 - D767,046 S * 9/2016 Stack D21/570
 - 9,435,820 B1 * 9/2016 Muraki G01P 3/486
 - D816,781 S * 5/2018 Horikoshi D21/461
- (Continued)

FOREIGN PATENT DOCUMENTS

- CN 3351619 * 2/2004
 - CN 300894241 * 3/2009
- (Continued)

Primary Examiner — Catherine A Tuttle
(74) *Attorney, Agent, or Firm* — Oliff PLC

(57) **CLAIM**

The ornamental design for a launching apparatus for spinning top toy, as shown and described.

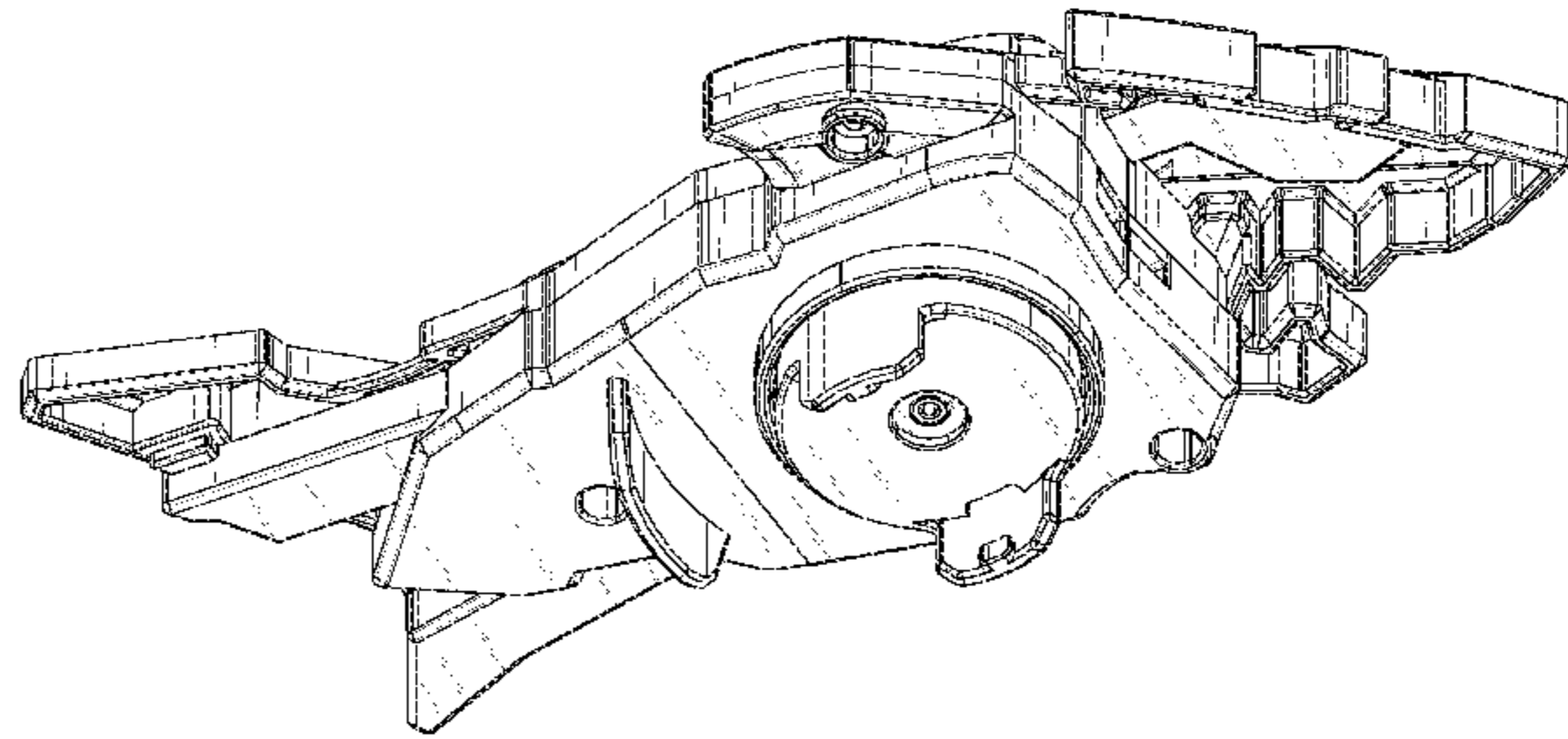
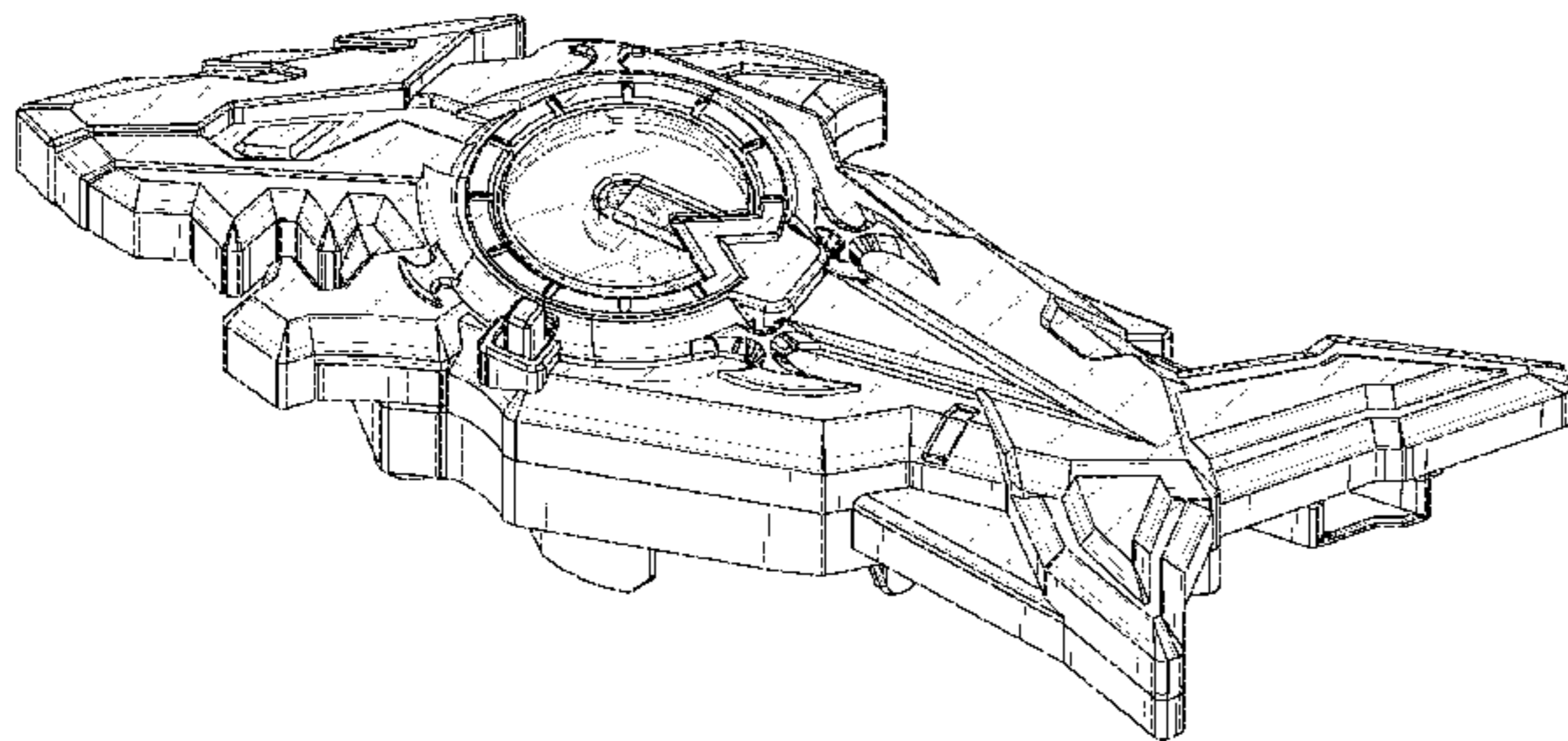
DESCRIPTION

FIG. 1 is a front elevational view of the launching apparatus for spinning top toy;
 FIG. 2 is a rear elevational view thereof;
 FIG. 3 is a left-side elevational view thereof;
 FIG. 4 is a right-side elevational view thereof;
 FIG. 5 is a top plan view thereof;
 FIG. 6 is a bottom plan view thereof;
 FIG. 7 is a front, right-side, top perspective view thereof;
 FIG. 8 is a rear, left-side, bottom perspective view thereof;
 and,
 FIG. 9 is a front, right-side, bottom perspective view thereof.

1 Claim, 9 Drawing Sheets

(56) **References Cited**
U.S. PATENT DOCUMENTS

- D199,536 S * 11/1964 Salayka D21/461
- 3,473,256 A * 10/1969 Tyler A63H 27/14
446/38
- D225,423 S * 12/1972 Tanis et al. D21/461
- D279,645 S * 7/1985 Makris D8/18
- D324,602 S * 3/1992 Meyers, Jr. D1/106



(56)

References Cited

U.S. PATENT DOCUMENTS

D825,677 S * 8/2018 Kitamura D21/461
D843,490 S * 3/2019 Kelemen D21/461
D852,895 S * 7/2019 Saito D21/461
2005/0142983 A1* 6/2005 Matsukawa A63H 1/04
446/246
2011/0256794 A1* 10/2011 Horikoshi A63H 1/04
446/259

FOREIGN PATENT DOCUMENTS

CN 302944420 * 4/2016
CN 304830189 * 9/2018
EP 0659456 A2 * 6/1995 A63H 1/02

* cited by examiner

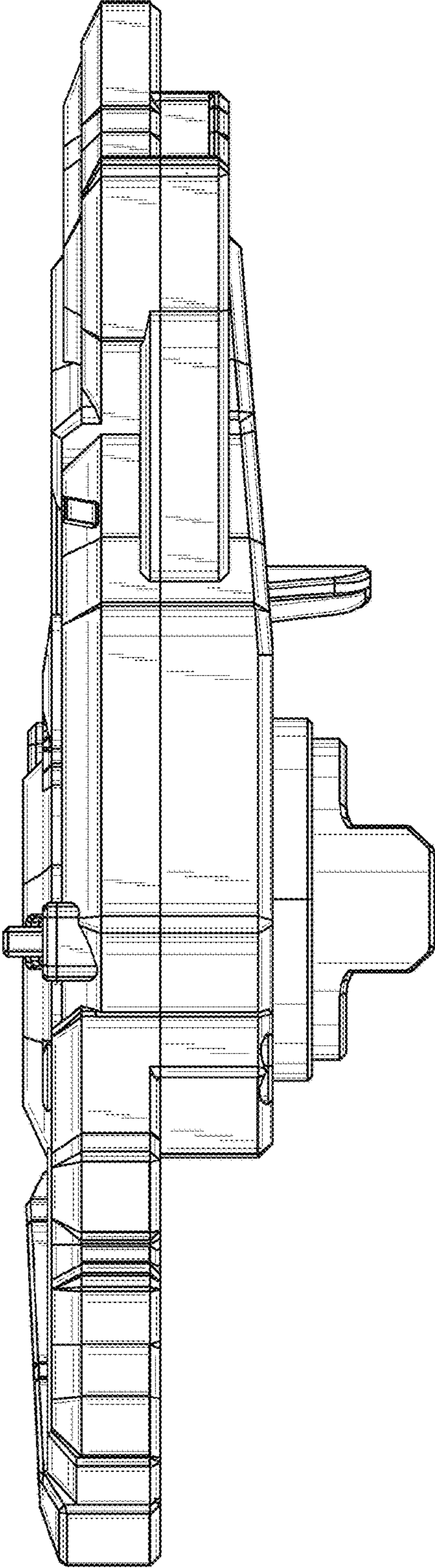


FIG. 1

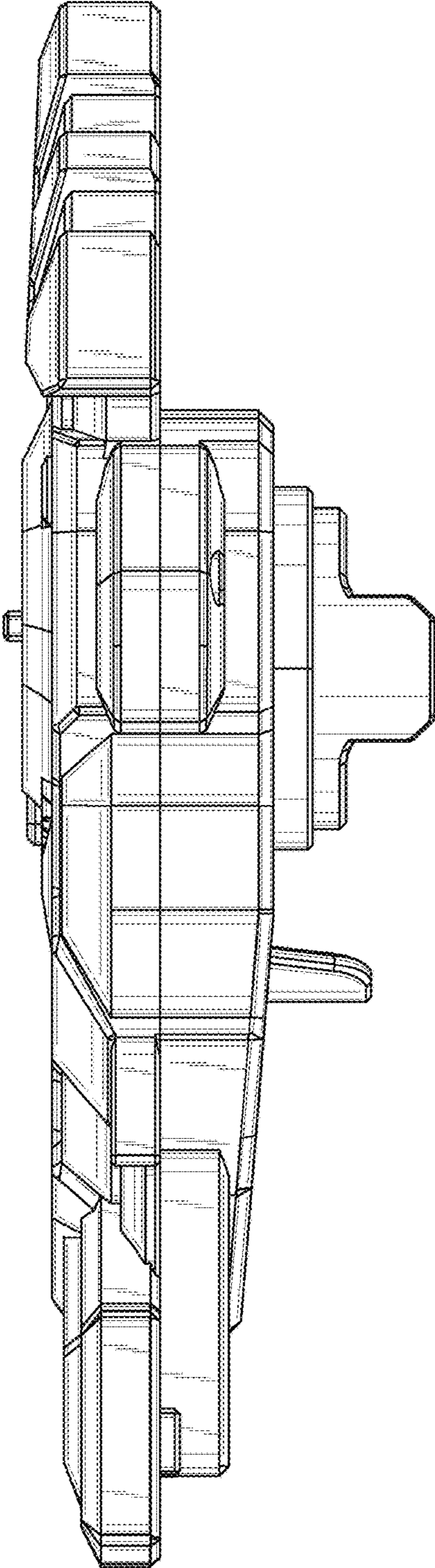


FIG. 2

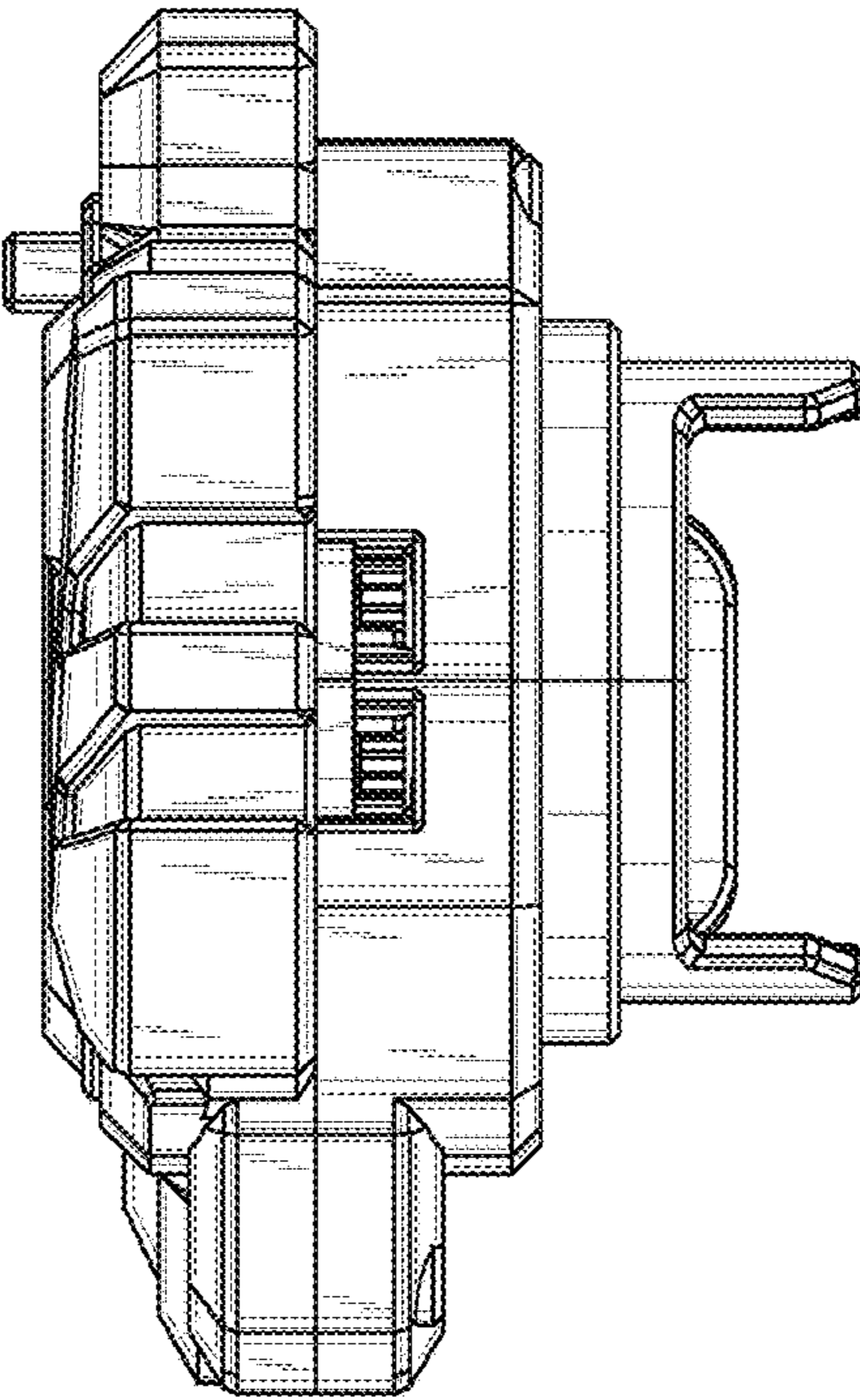


FIG. 3

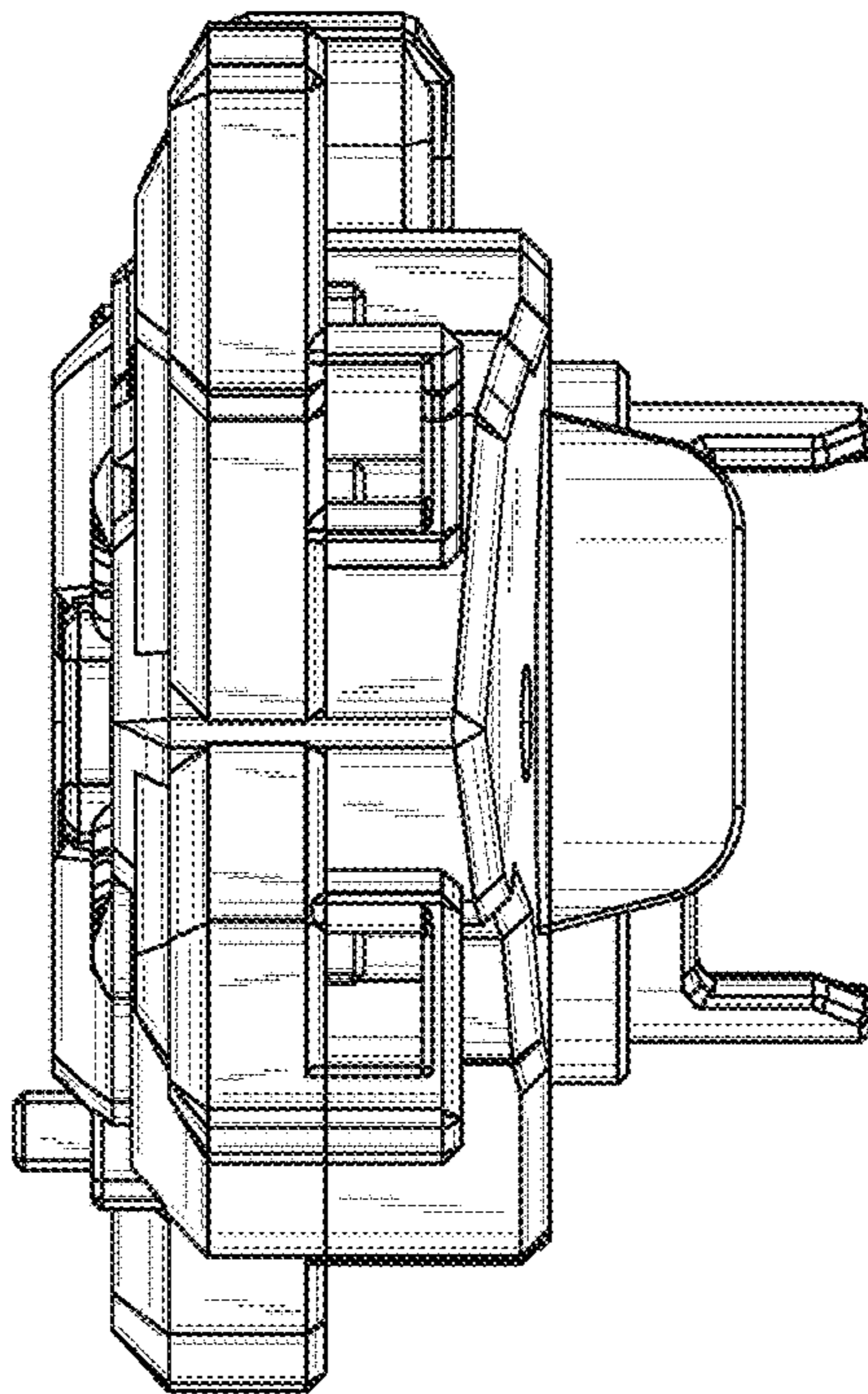


FIG. 4

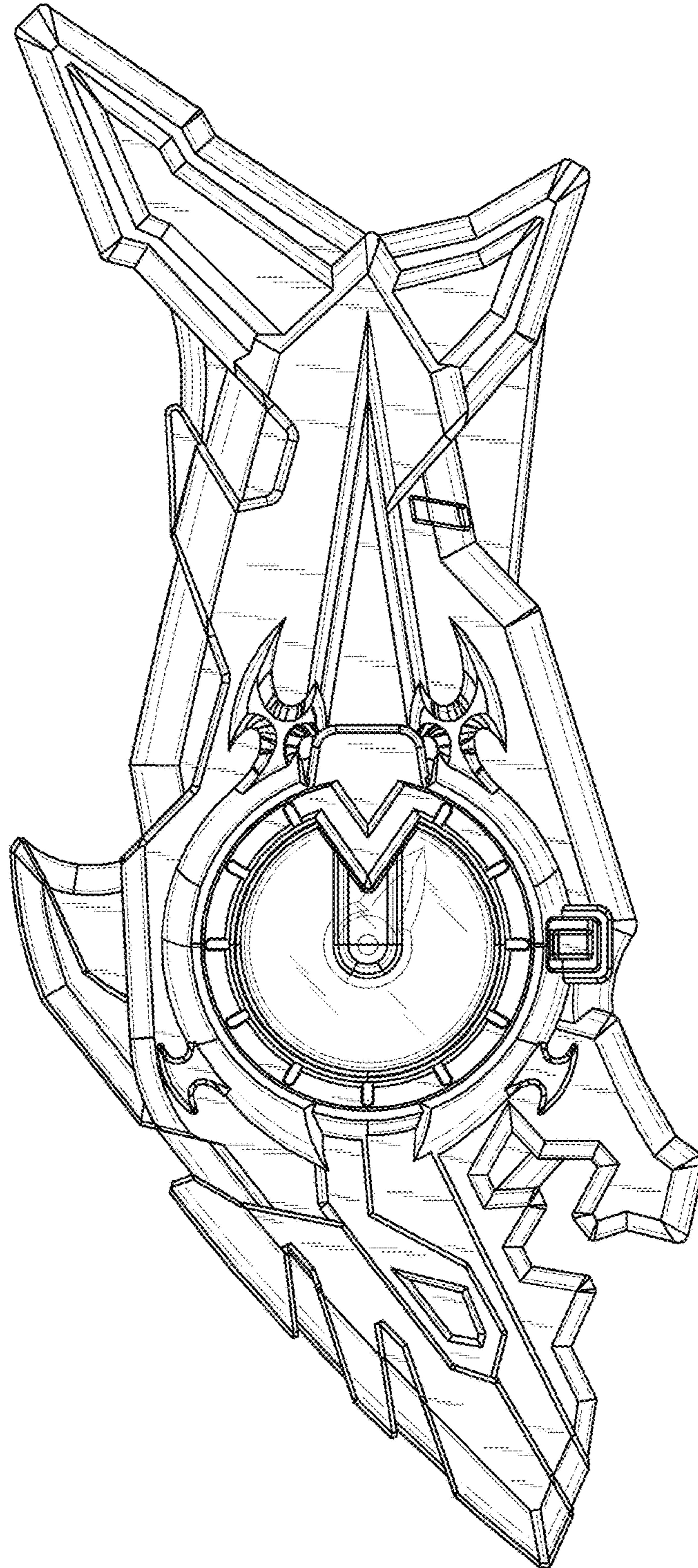


FIG. 5

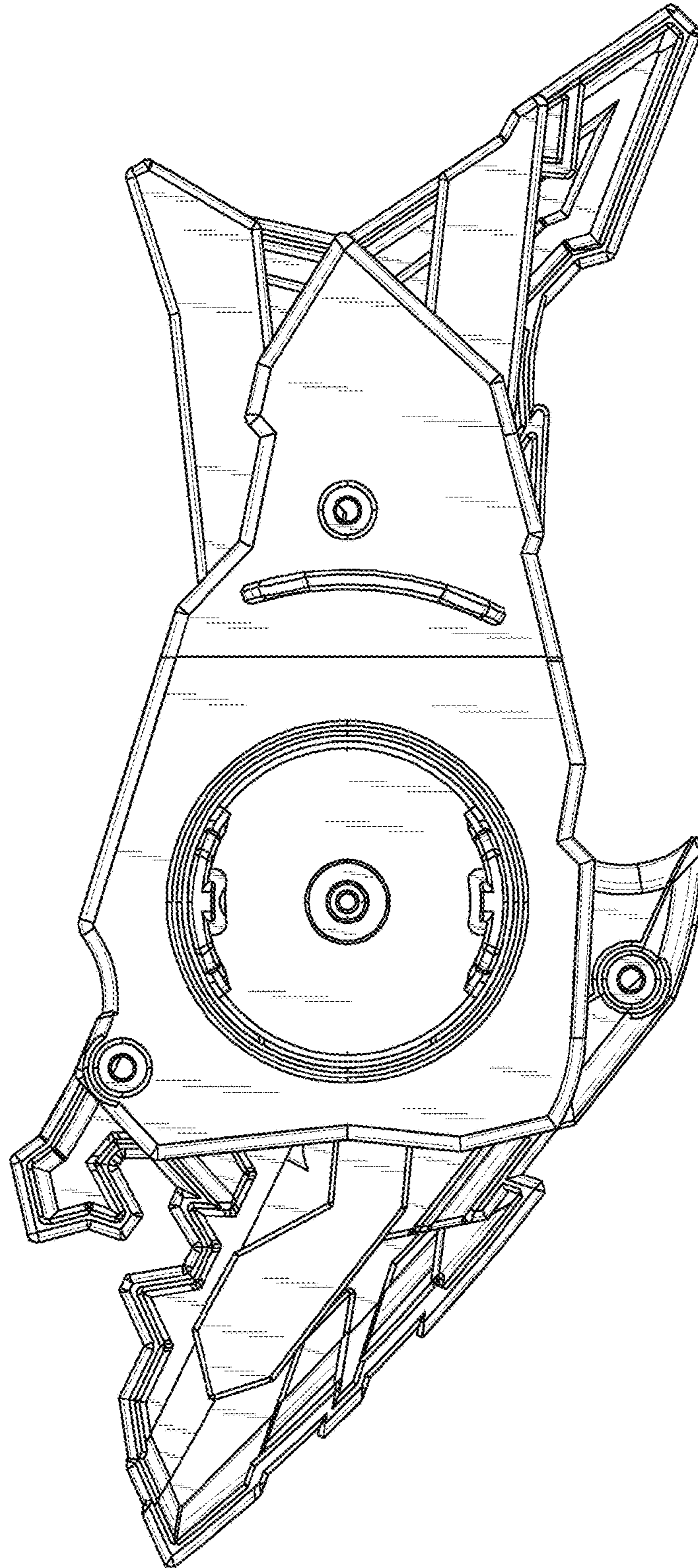


FIG. 6

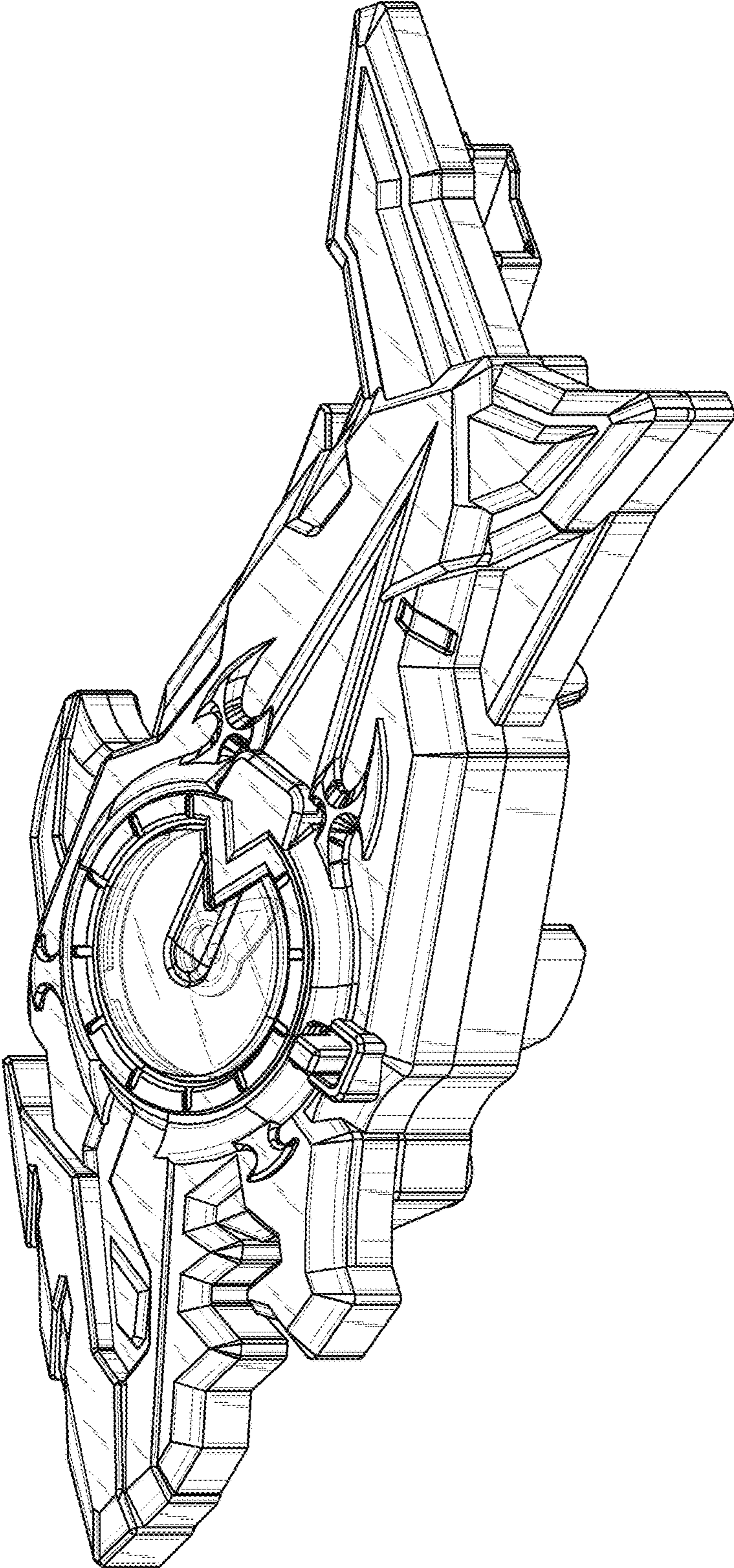


FIG. 7

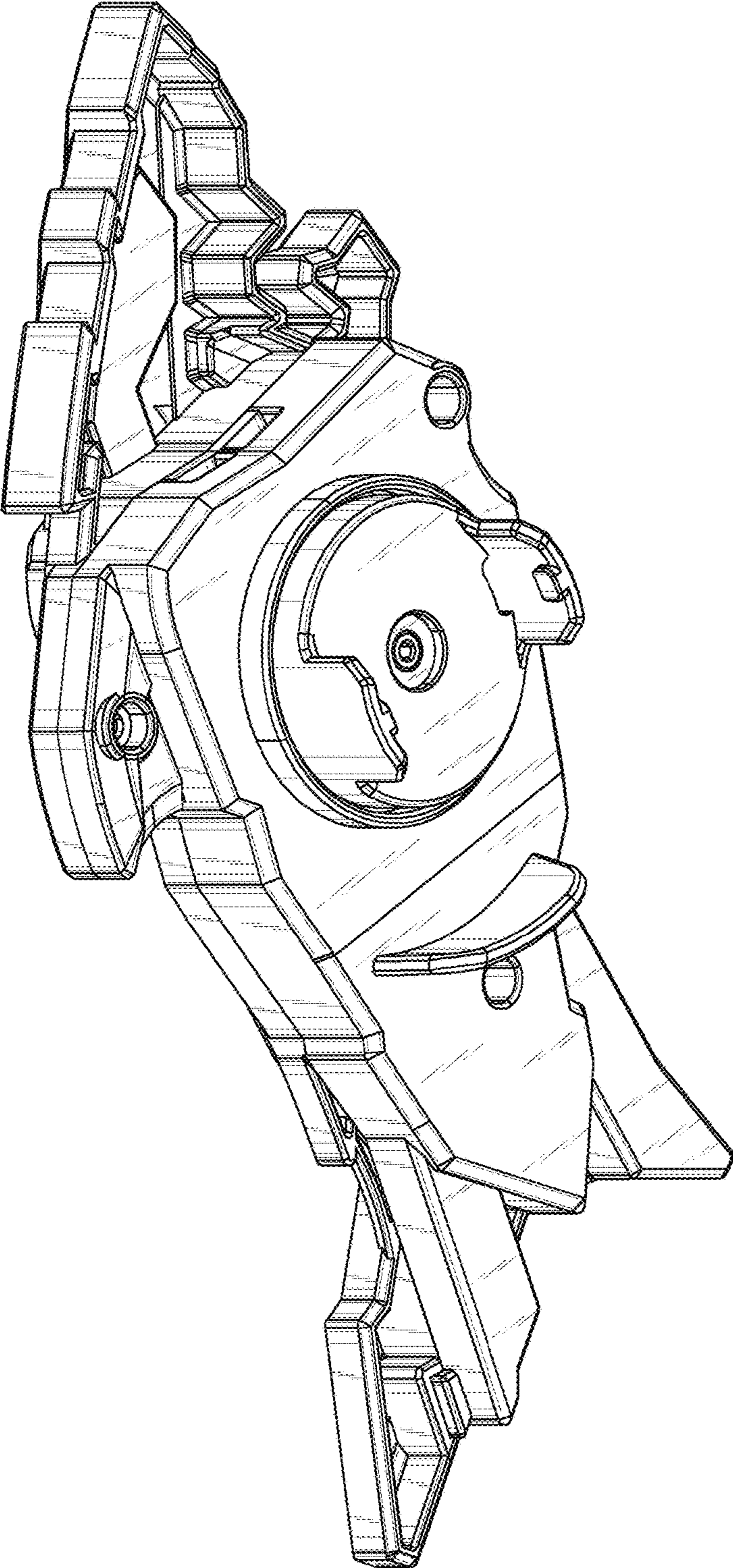


FIG. 8

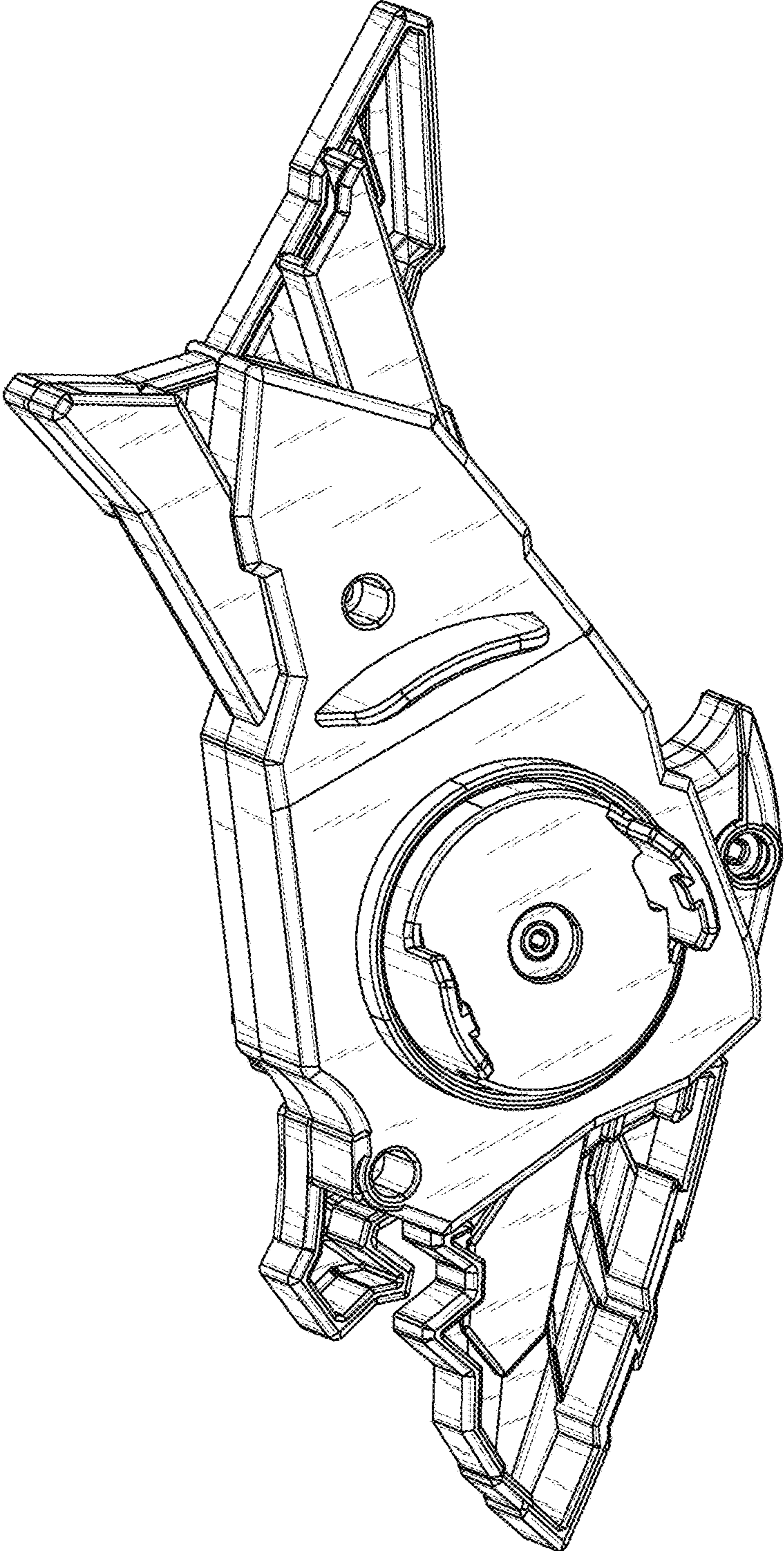


FIG. 9