



US00D868901S

(12) **United States Design Patent** (10) **Patent No.:** **US D868,901 S**
Allais (45) **Date of Patent:** **** Dec. 3, 2019**

(54) **PEDAL BASE WITH FOOT INSERTS FOR A SCOOTER**

4,705,286 A 11/1987 Lauzier et al.
D295,428 S 4/1988 Cummings
4,761,014 A 8/1988 Huang
4,811,971 A * 3/1989 Phillips A63C 17/01
280/87.041

(71) Applicant: **Denis Allais**, Auckland (NZ)

D300,756 S 4/1989 Cummings

(72) Inventor: **Denis Allais**, Auckland (NZ)

4,824,131 A 4/1989 Thay

(**) Term: **15 Years**

D301,157 S 5/1989 Hess

D305,134 S 12/1989 Rubio et al.

(21) Appl. No.: **29/580,735**

5,039,121 A 8/1991 Holter

5,072,961 A 12/1991 Huppe

(Continued)

(22) Filed: **Oct. 12, 2016**

Related U.S. Application Data

(63) Continuation-in-part of application No. 29/522,796, filed on Apr. 2, 2015, now Pat. No. Des. 772,990.

OTHER PUBLICATIONS

Allais, U.S. Appl. No. 29/522,796, filed Apr. 2, 2015, entitled "Scooter".

(30) **Foreign Application Priority Data**

Primary Examiner — Cynthia M. Chin

(74) *Attorney, Agent, or Firm* — Nixon & Vanderhye P.C.

Aug. 8, 2014 (NZ) 419151

(51) **LOC (12) Cl.** **21-01**

(57) **CLAIM**

(52) **U.S. Cl.**

The ornamental design for a pedal base with foot inserts for a scooter, as shown and described.

USPC **D21/423**

(58) **Field of Classification Search**

DESCRIPTION

USPC D21/423, 419, 421, 426-428, 435, 760, D21/765, 771; D12/1, 8, 108, 112, 113

CPC . B62K 3/002; B62K 9/00; B62K 9/02; B62K 13/00; B62K 2202/00

See application file for complete search history.

FIG. 1 is a front perspective view of a pedal base with foot inserts for a scooter according to my new design;

FIG. 2 is a left side view thereof;

FIG. 3 is a right side view thereof;

FIG. 4 is a top view thereof;

FIG. 5 is a bottom view thereof;

FIG. 6 is a rear view thereof;

FIG. 7 is a front view thereof; and,

FIG. 8 is a rear perspective view thereof.

The broken lines represent environmental structure or unclaimed portions of the pedal base with foot inserts for a scooter and do not form a portion of the claimed design.

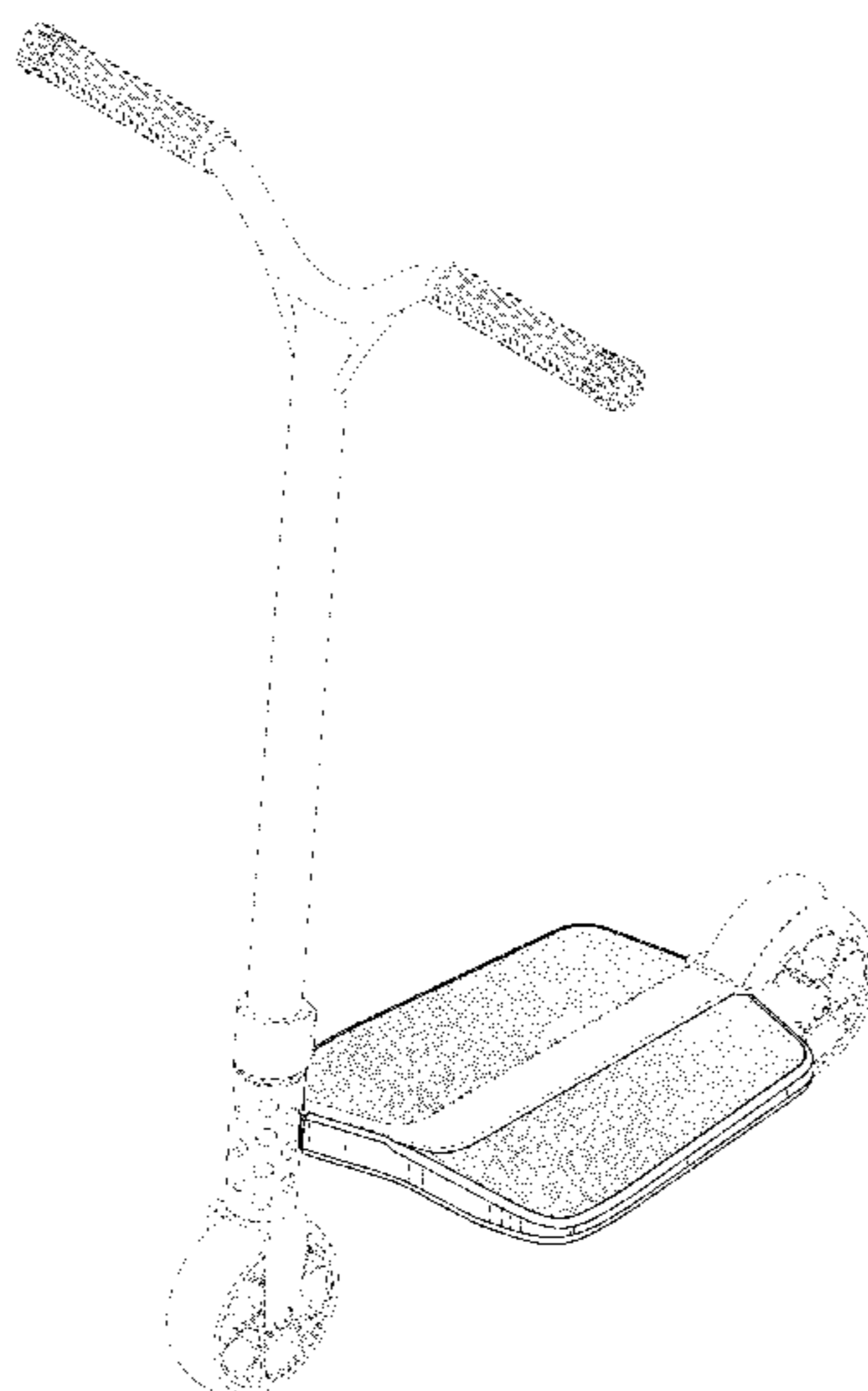
The foot inserts are shown in stippling to indicate a contrasting material or color.

(56) **References Cited**

U.S. PATENT DOCUMENTS

1,591,581 A 7/1926 Trejo
1,664,858 A 4/1928 Headley
1,689,916 A 10/1928 Fisher
1,844,305 A 2/1932 White
3,179,433 A 4/1965 Flack
3,620,547 A 11/1971 Vaverek
4,203,610 A 5/1980 Mihalik
4,204,698 A 5/1980 Mihalik
4,669,746 A 6/1987 Wu
D292,221 S 10/1987 Mueller

1 Claim, 7 Drawing Sheets



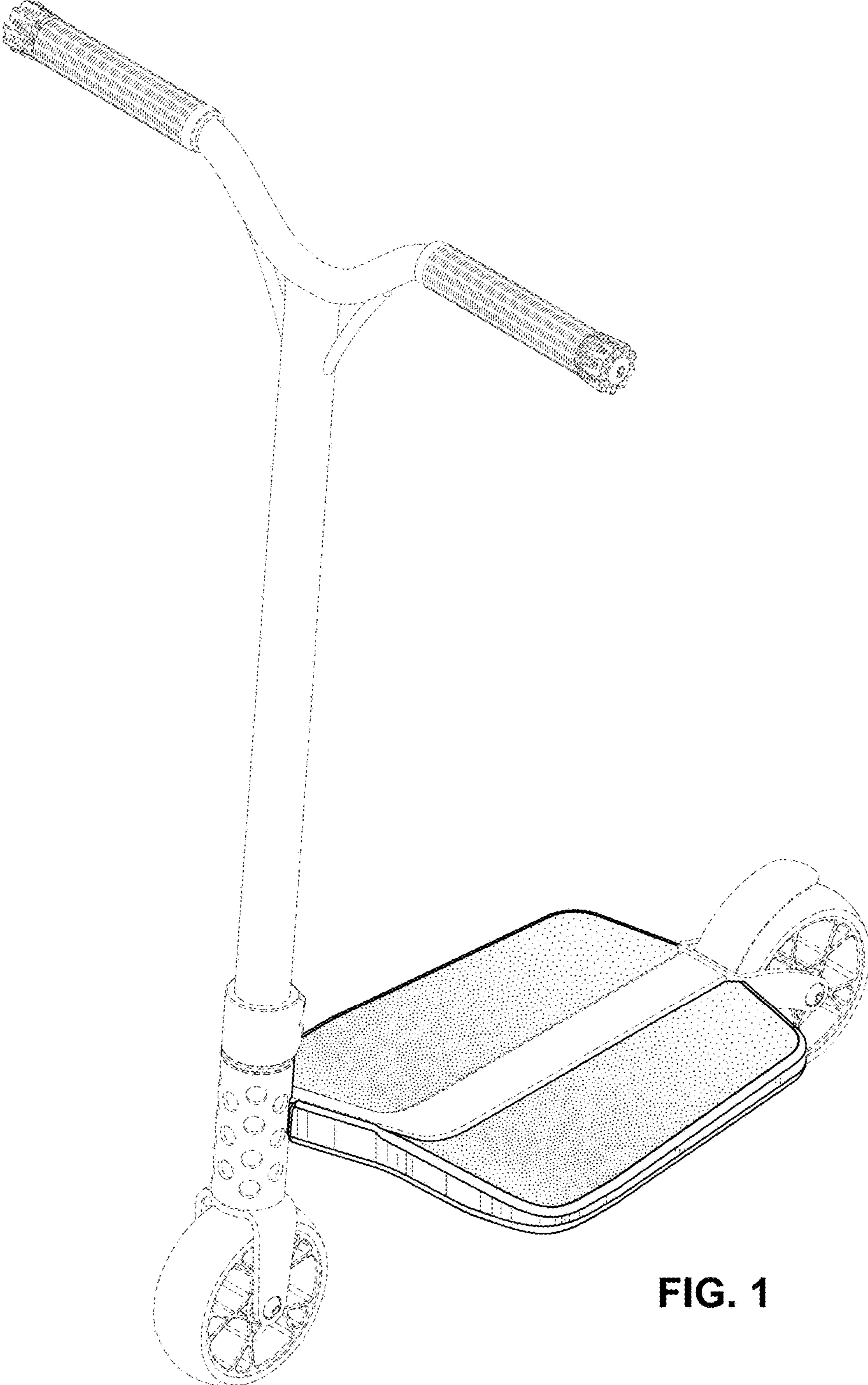


FIG. 1

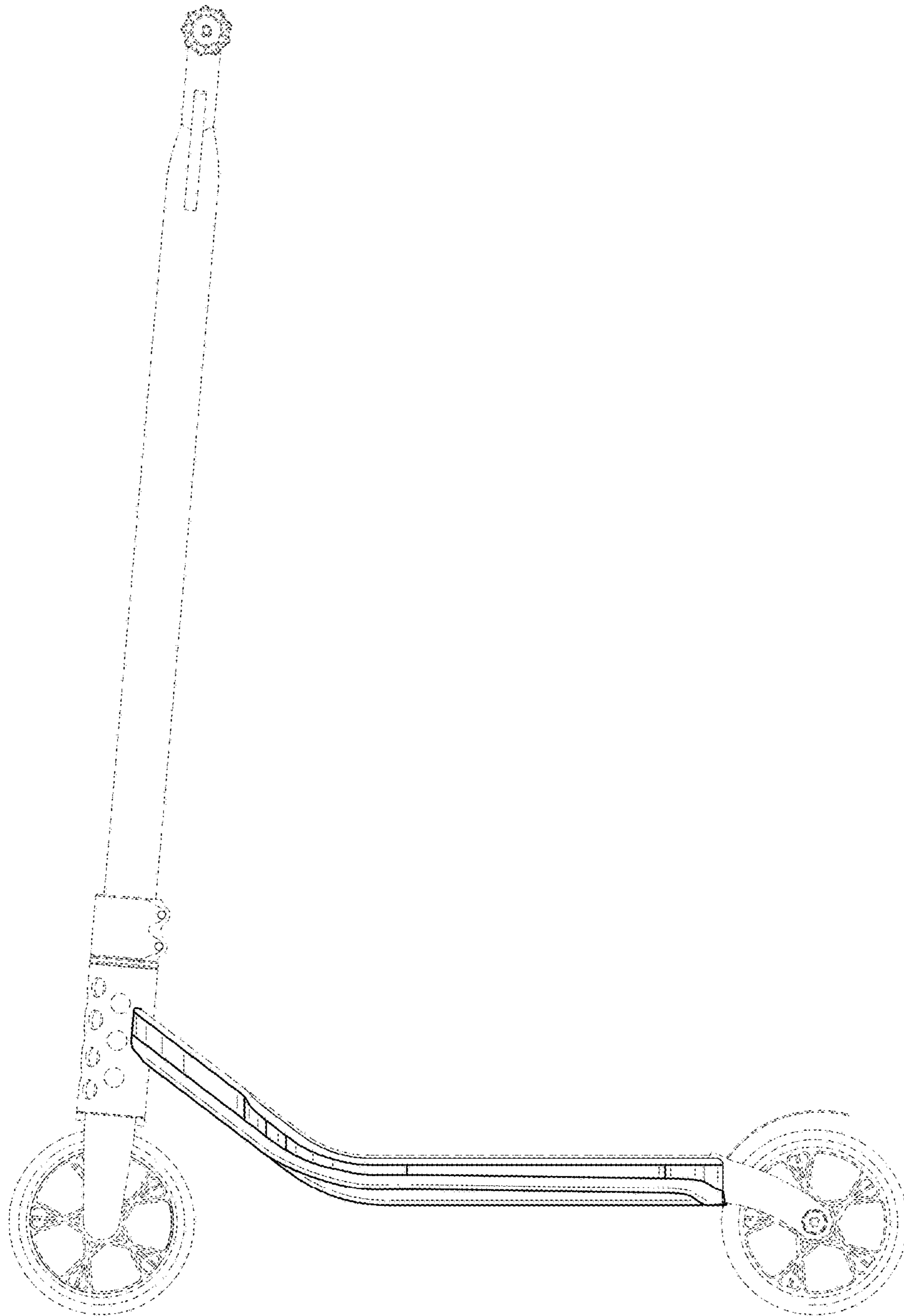


FIG. 2

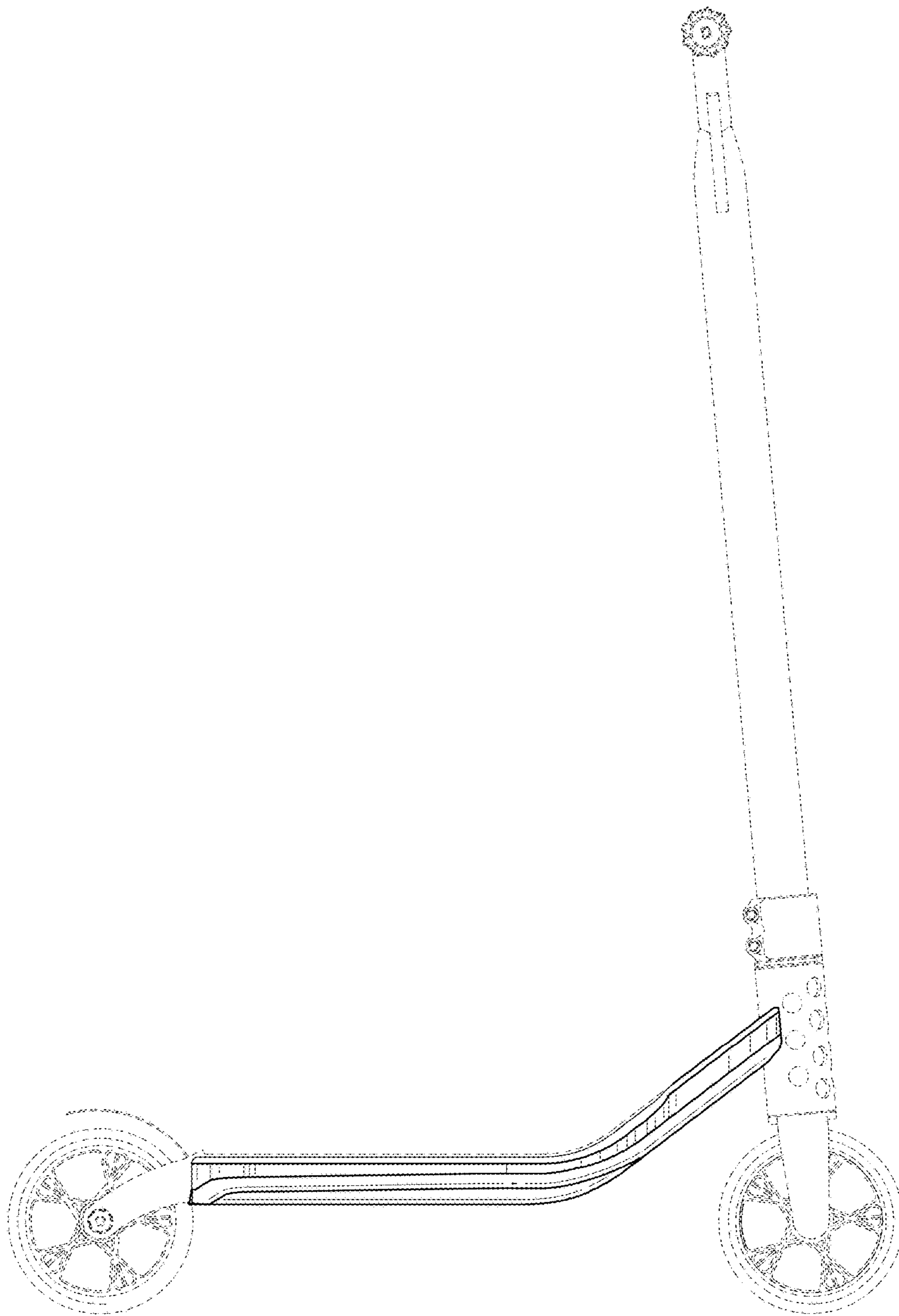


FIG. 3

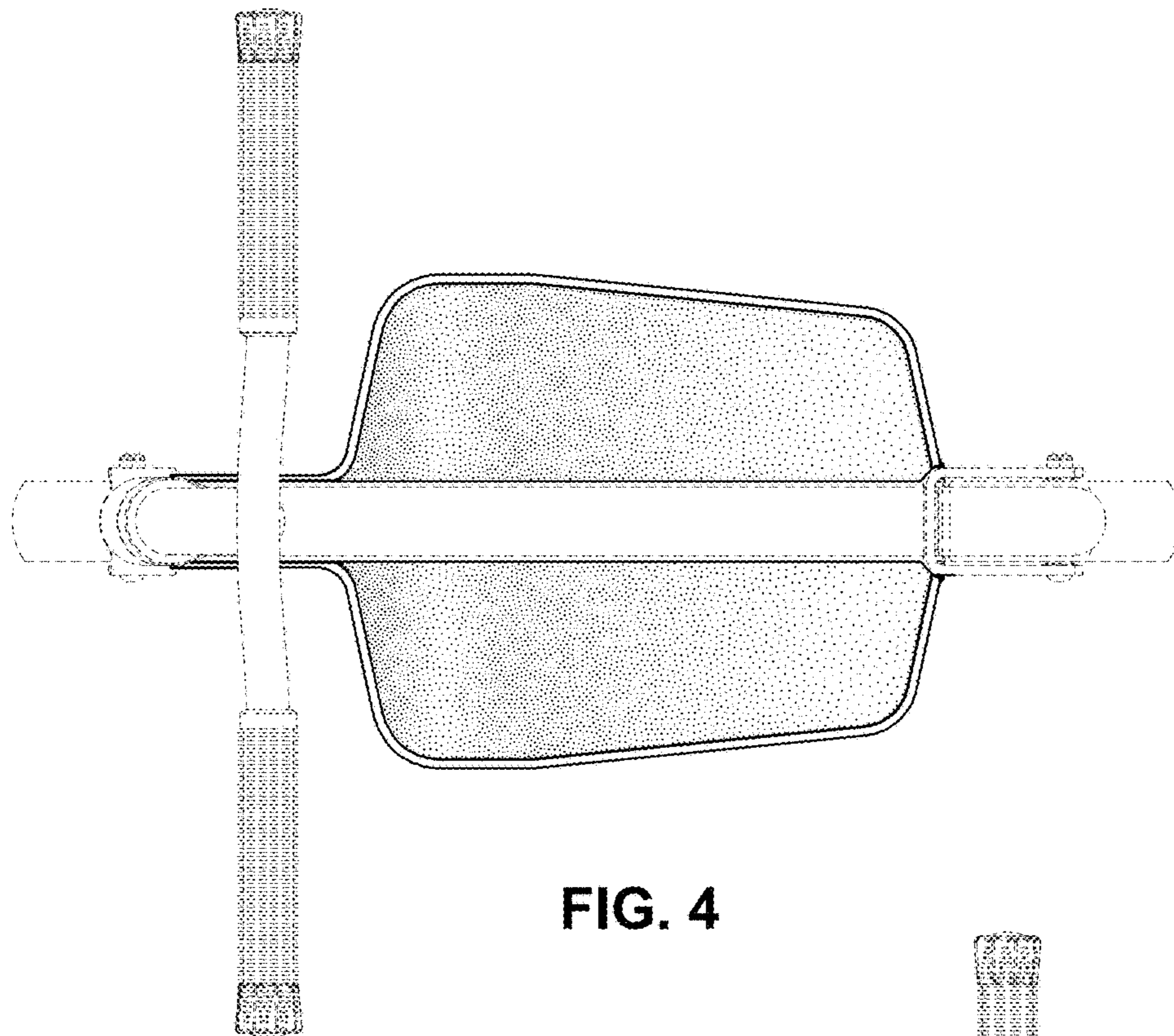


FIG. 4

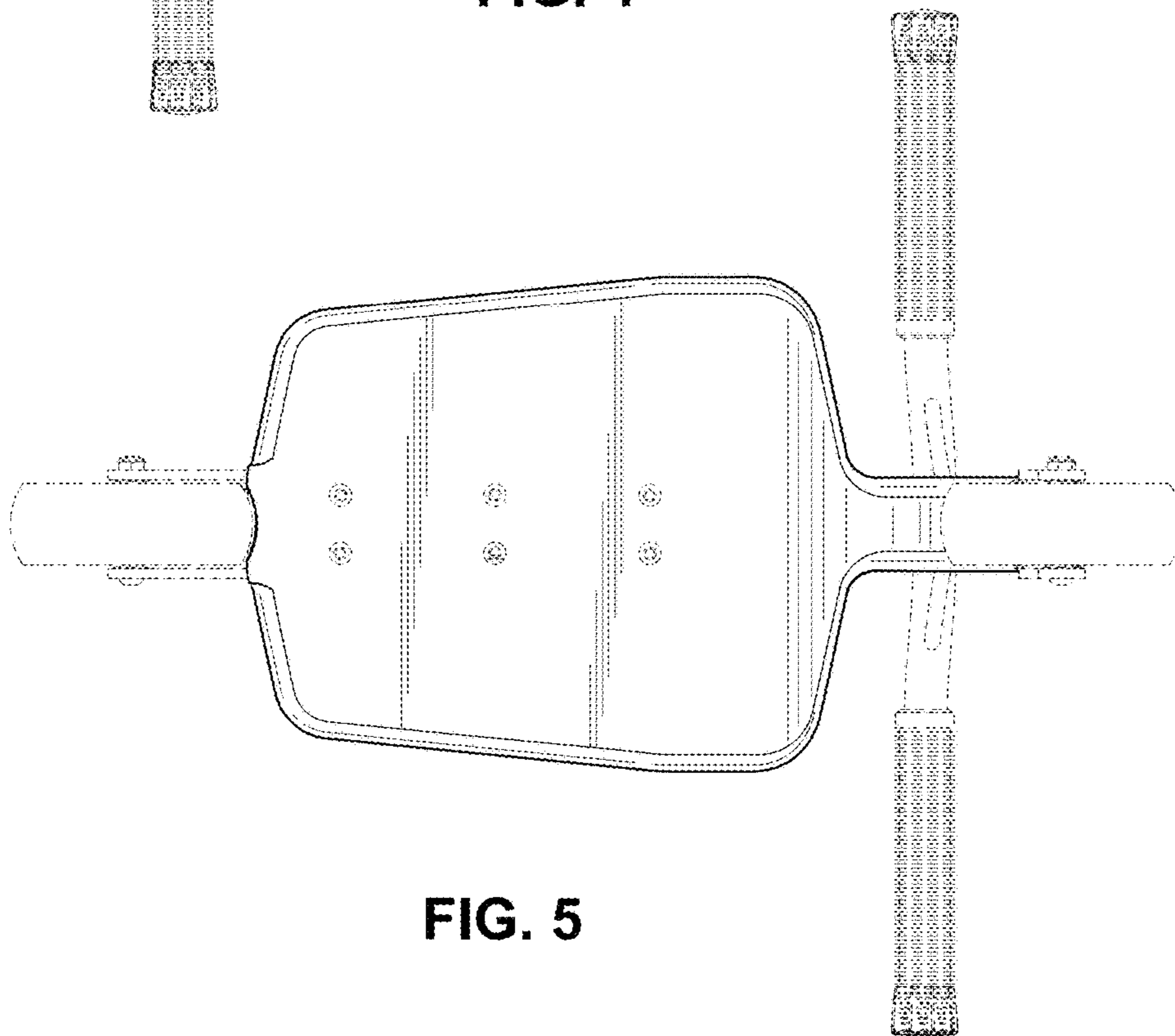


FIG. 5

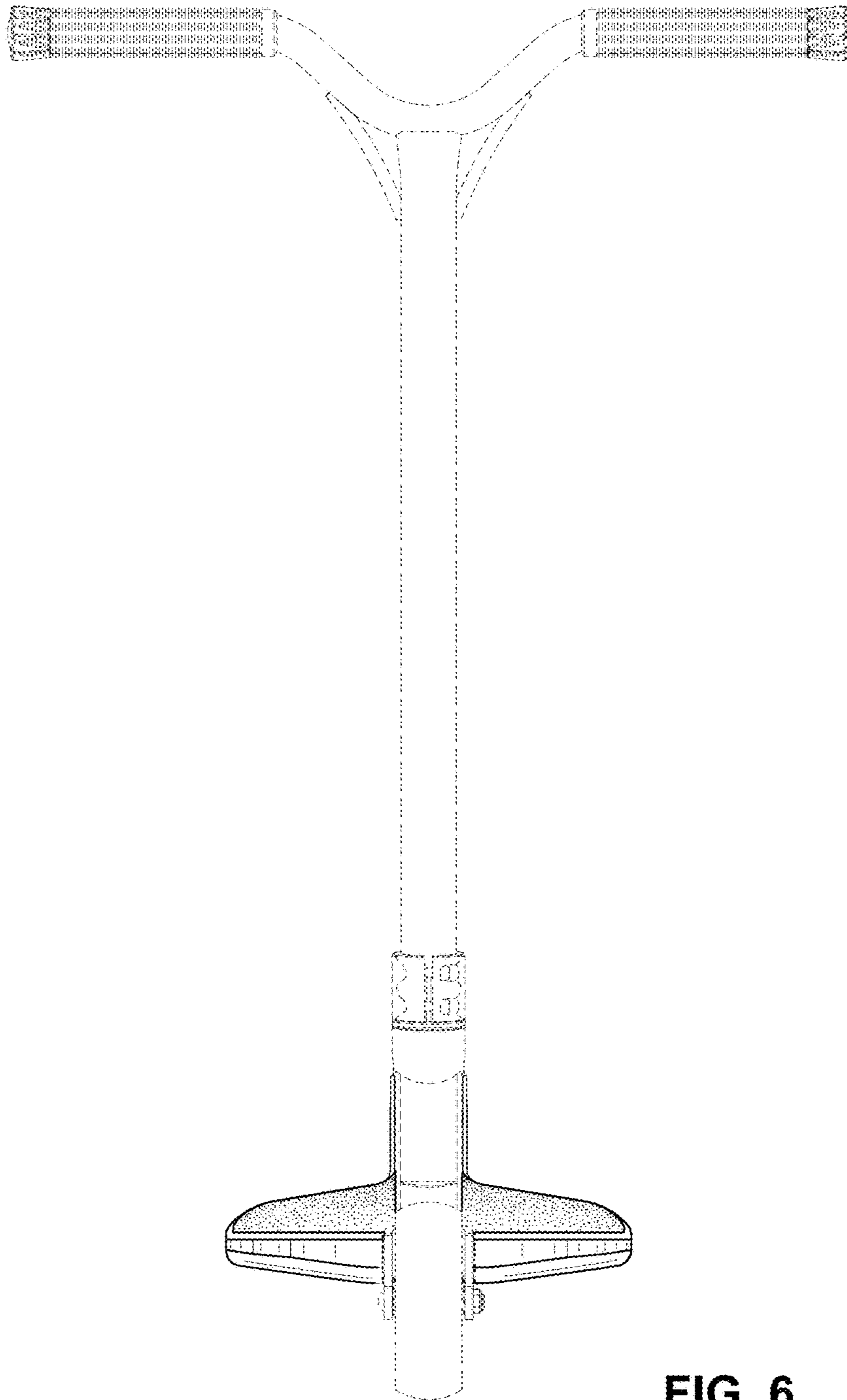


FIG. 6

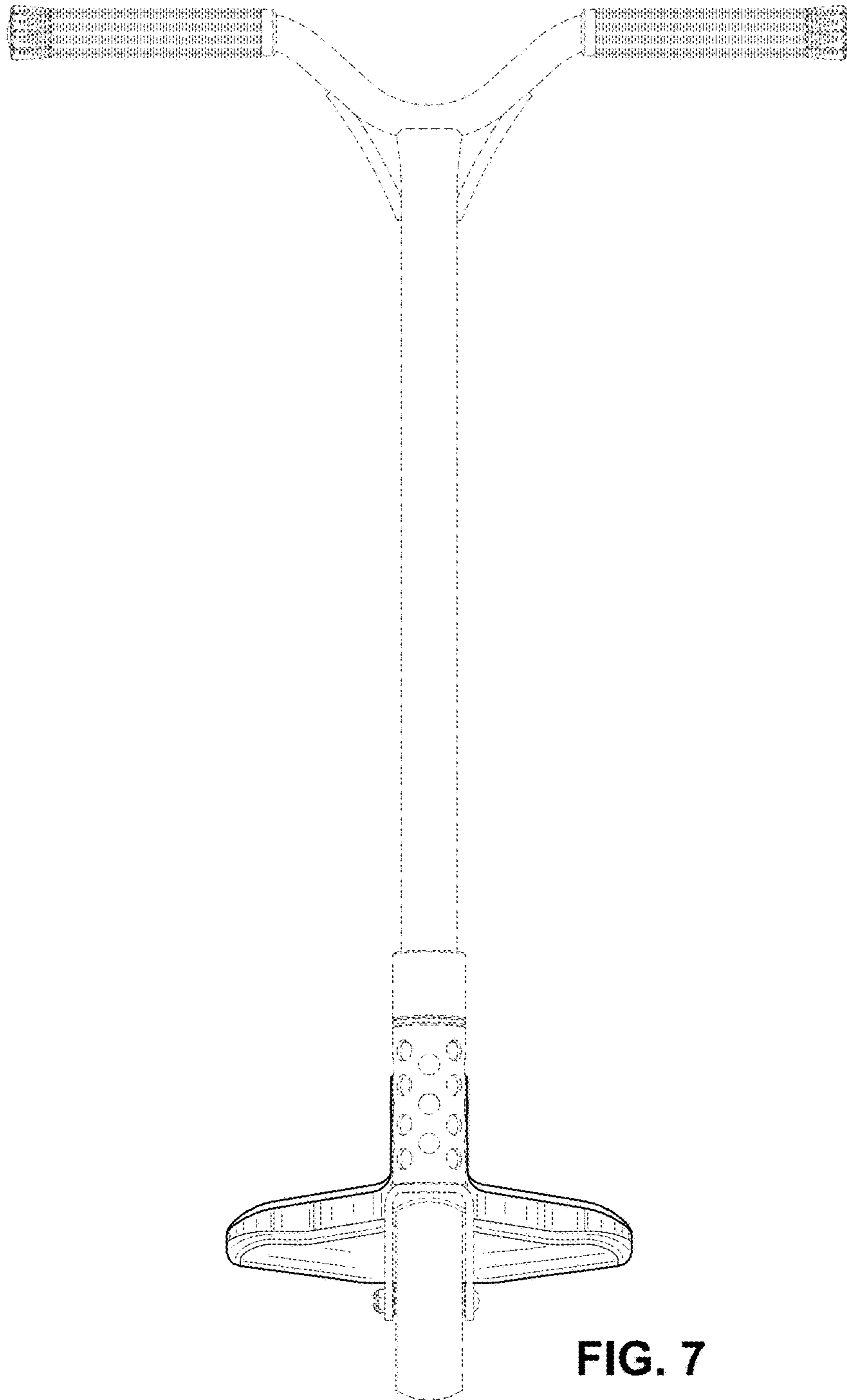


FIG. 7

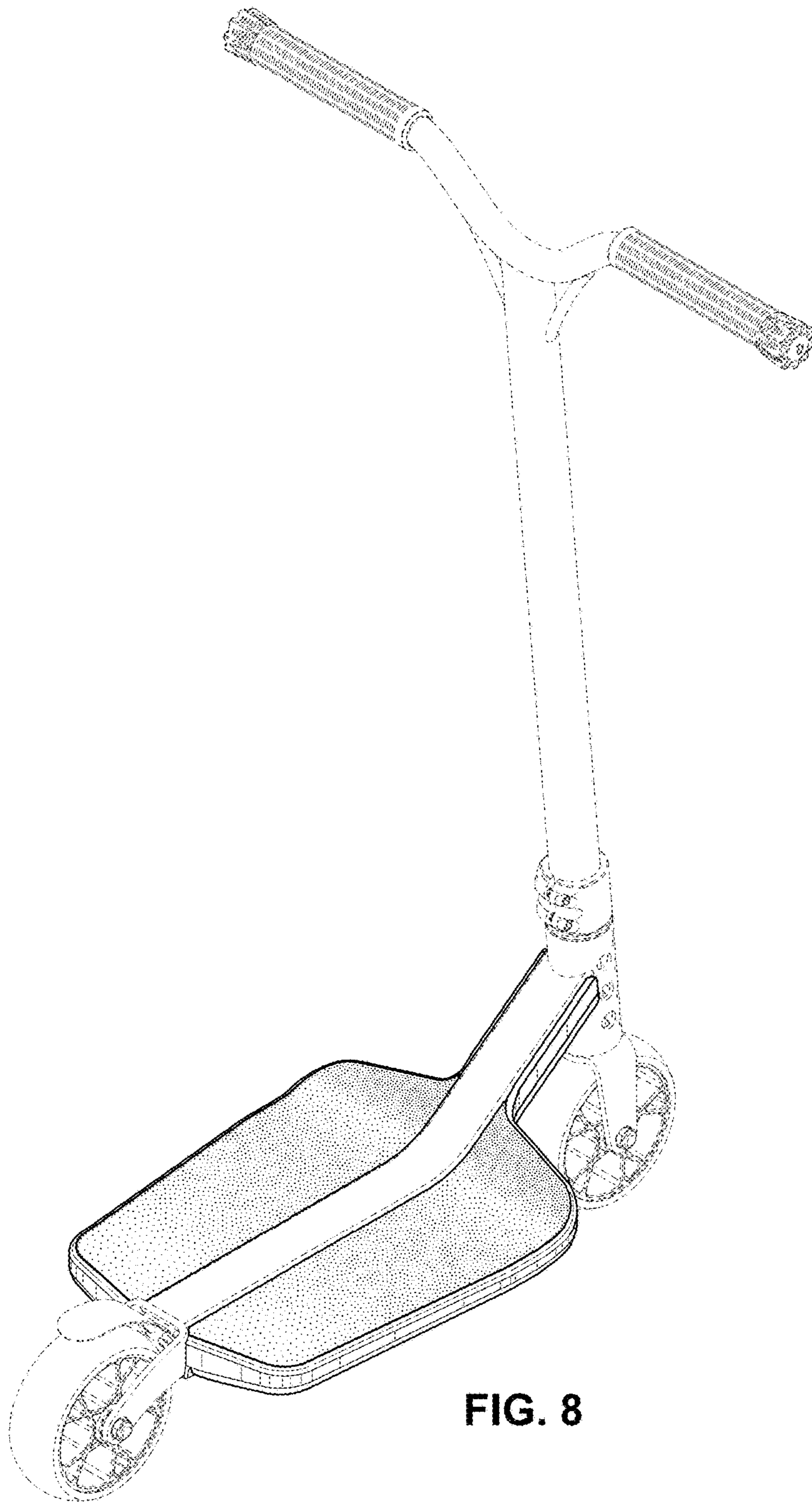


FIG. 8