

US00D868900S

(12) **United States Design Patent**  
**Healy et al.**

(10) **Patent No.:** **US D868,900 S**  
(45) **Date of Patent:** **\*\* Dec. 3, 2019**

(54) **INFANT ACTIVITY CENTER**

- (71) Applicant: **Skip Hop, Inc.**, New York, NY (US)
- (72) Inventors: **John Healy**, Brooklyn, NY (US);  
**Benjamin Bearsch**, Brooklyn, NY (US);  
**Janet Villano**, Jersey City, NJ (US);  
**Ellen Diamant**, New York, NY (US)
- (73) Assignee: **SKIP HOP, INC.**, New York, NY (US)
- (\*\*) Term: **15 Years**
- (21) Appl. No.: **29/616,837**
- (22) Filed: **Sep. 8, 2017**

**Related U.S. Application Data**

- (63) Continuation of application No. 15/429,855, filed on Feb. 10, 2017.
- (51) **LOC (12) Cl.** ..... **21-01**
- (52) **U.S. Cl.**  
USPC ..... **D21/419**; D6/333; D12/412
- (58) **Field of Classification Search**  
USPC ..... D21/412, 419; D12/130; D6/333  
(Continued)

(56) **References Cited**

**U.S. PATENT DOCUMENTS**

- 5,451,093 A \* 9/1995 Petrie ..... A47D 1/002  
248/618
- 5,700,201 A \* 12/1997 Bellows ..... A47D 13/107  
297/137

(Continued)

**FOREIGN PATENT DOCUMENTS**

- CN 105 231 725 1/2016
- CN 205 144 102 4/2016

(Continued)

**OTHER PUBLICATIONS**

European Search Report dated Dec. 11, 2018 in corresponding European Application No. 17 155 622.8.

(Continued)

*Primary Examiner* — Cynthia M. Chin

(74) *Attorney, Agent, or Firm* — Stephen J. Weyer, Esq.;  
James R. Hayne, Esq.; Stites & Harbison, PLLC

(57) **CLAIM**

The ornamental design for an infant activity center, as shown and described.

**DESCRIPTION**

FIG. 1 is a top, front, and right side perspective view of the infant activity center of our design.

FIG. 2 is a top plan view of the infant activity center of FIG. 1.

FIG. 3 is a right side view of the infant activity center of FIG. 1.

FIG. 4 is a left side view of the infant activity center of FIG. 1.

FIG. 5 is a front elevation view of the infant activity center of FIG. 1.

FIG. 6 is a rear elevation view of the infant activity center of FIG. 1.

FIG. 7 is a top, front, and right side perspective view of the infant activity center of FIG. 1 in a second configuration.

FIG. 8 is a top plan view of the infant activity center of FIG. 7.

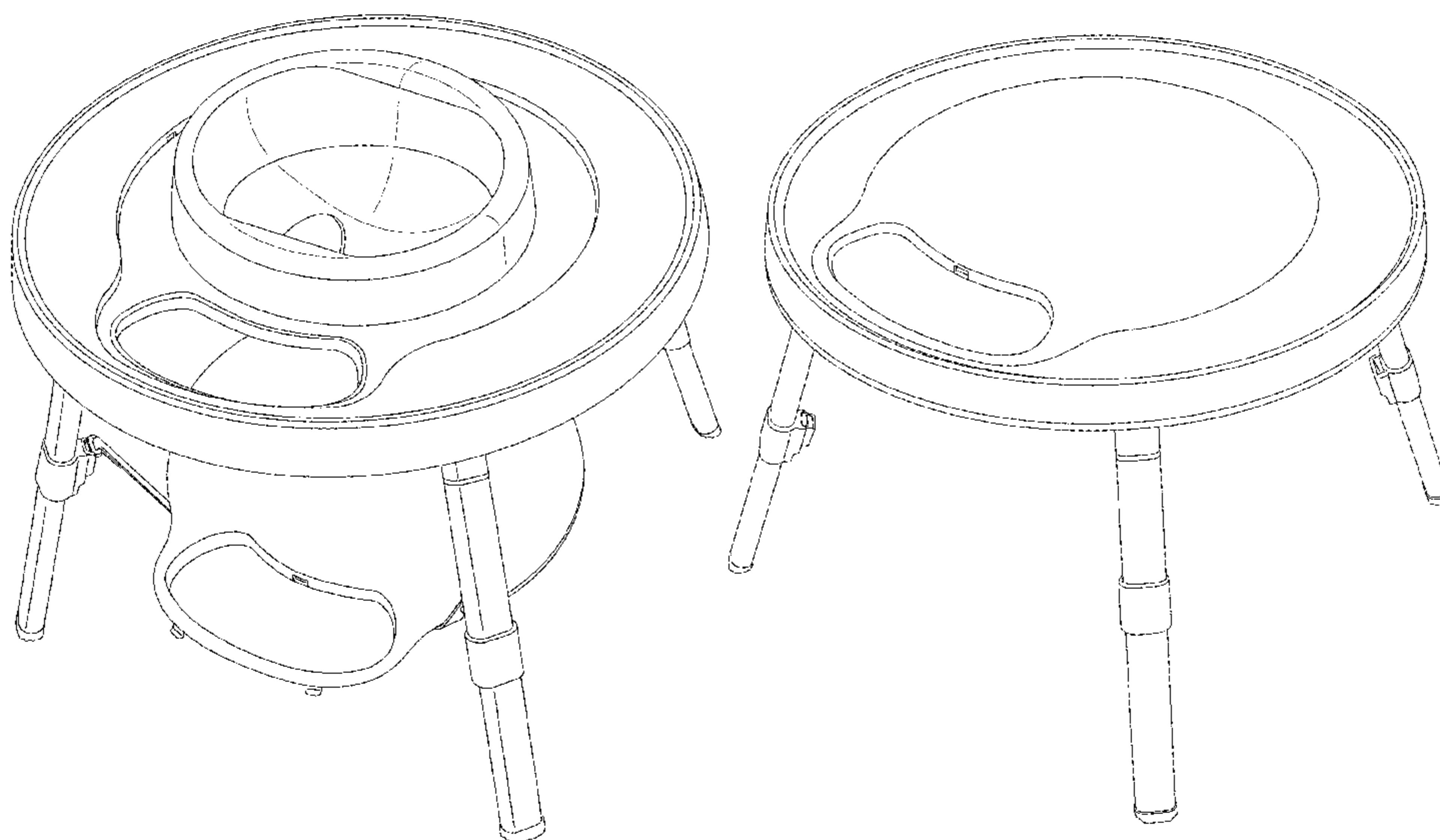
FIG. 9 is a right side view of the infant activity center of FIG. 7.

FIG. 10 is a left side view of the infant activity center of FIG. 7.

FIG. 11 is a front elevation view of the infant activity center of FIG. 7; and

FIG. 12 is a rear elevation view of the infant activity center of FIG. 7.

**1 Claim, 10 Drawing Sheets**



(58) **Field of Classification Search**

CPC ..... A47D 13/00; A47D 13/04; A47D 13/043;  
A47D 13/046; A47D 13/08; A47D 13/107  
See application file for complete search history.

(56) **References Cited**

U.S. PATENT DOCUMENTS

5,728,030 A \* 3/1998 Hsieh ..... A47D 13/043  
472/15  
D395,467 S \* 6/1998 Bellows ..... D12/130  
6,637,814 B1 \* 10/2003 Bellows ..... A47D 1/008  
297/137  
6,817,864 B1 \* 11/2004 Martinez ..... A47D 1/008  
434/258  
7,510,238 B2 \* 3/2009 McClintock ..... A47D 3/00  
297/137  
8,303,033 B2 \* 11/2012 Lundeen ..... A47D 13/107  
297/136  
2005/0264088 A1 12/2005 Tadin et al.  
2011/0012408 A1 1/2011 Lee et al.  
2018/0035824 A1 \* 2/2018 Goh ..... A47D 1/02  
2018/0317668 A1 \* 11/2018 Cotirla ..... A47D 13/107

FOREIGN PATENT DOCUMENTS

CN 205 144 104 4/2016  
CN 205 144 108 4/2016

OTHER PUBLICATIONS

European Search Report dated Oct. 26, 2017 in corresponding  
European Application No. 17 15 5622.

\* cited by examiner

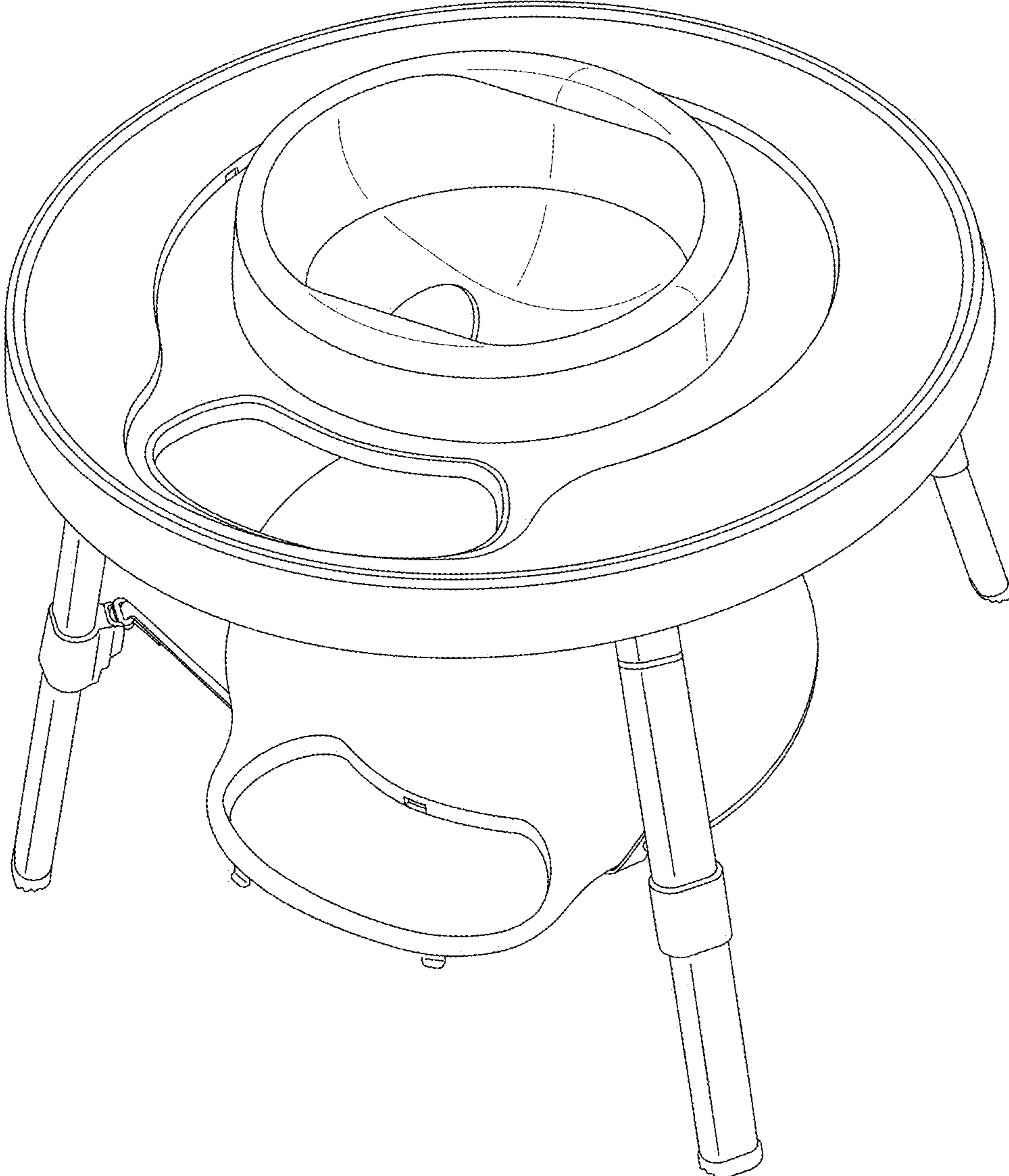


FIG. 1

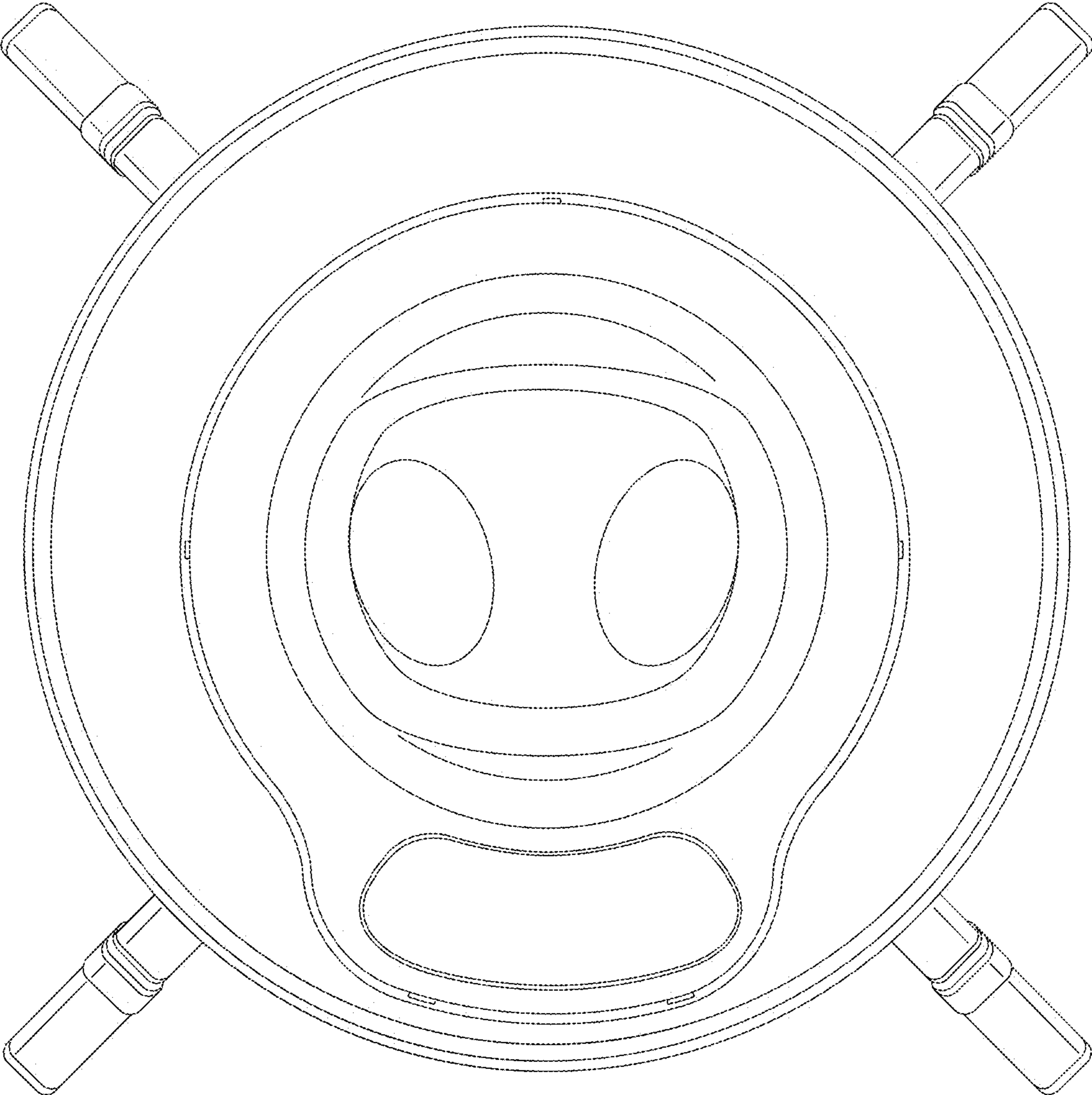


FIG. 2

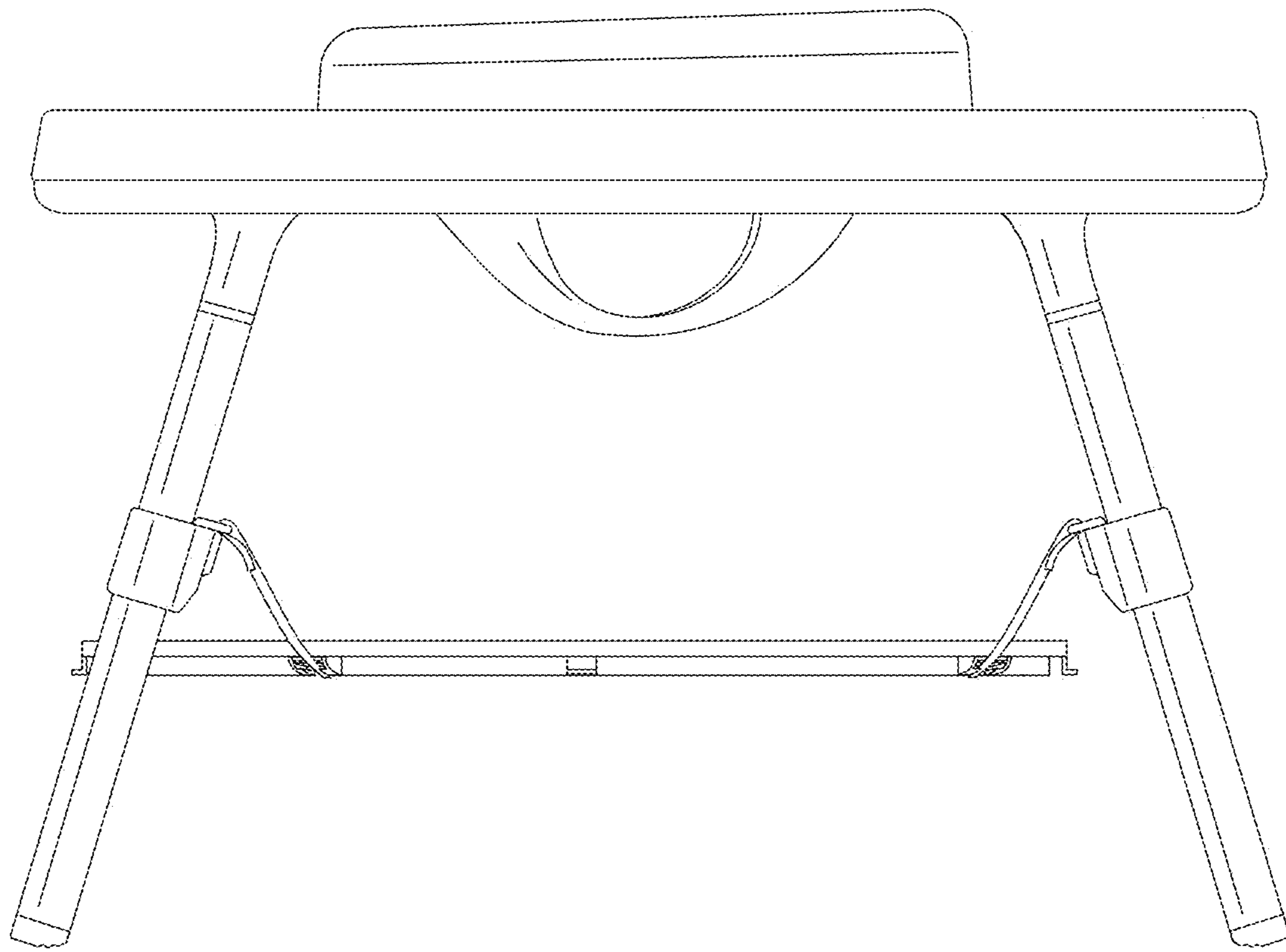


FIG. 3

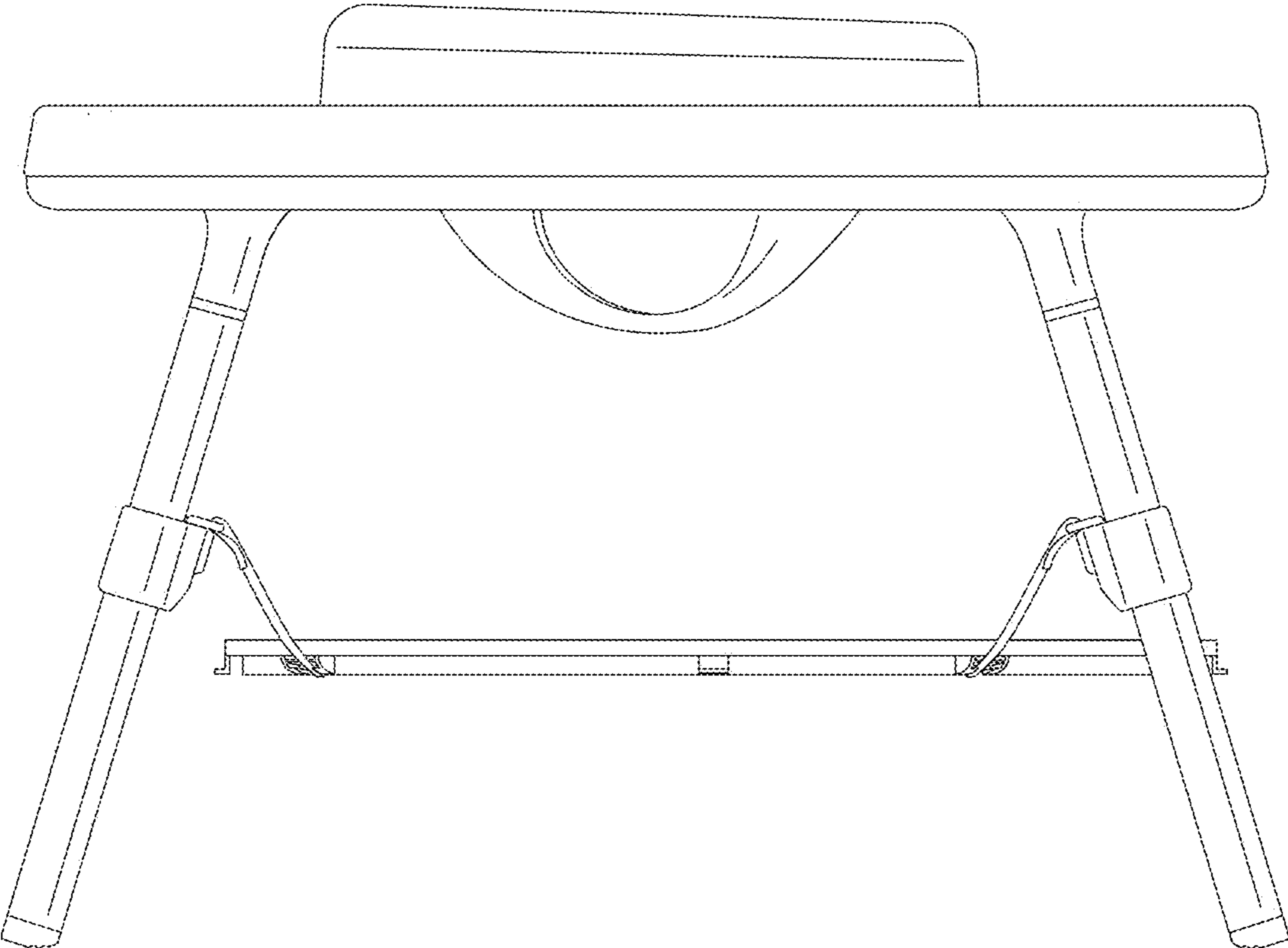


FIG. 4

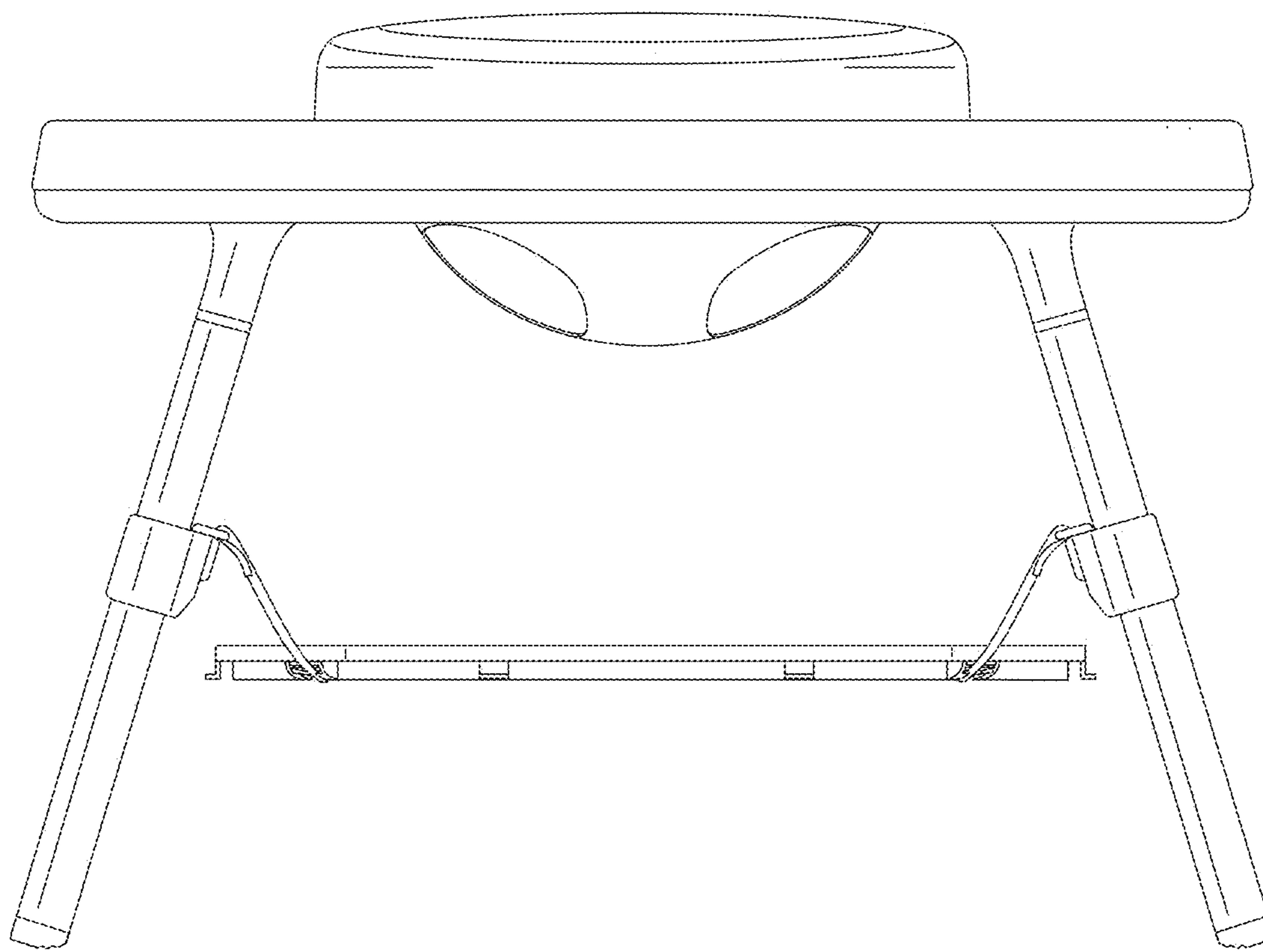


FIG. 5

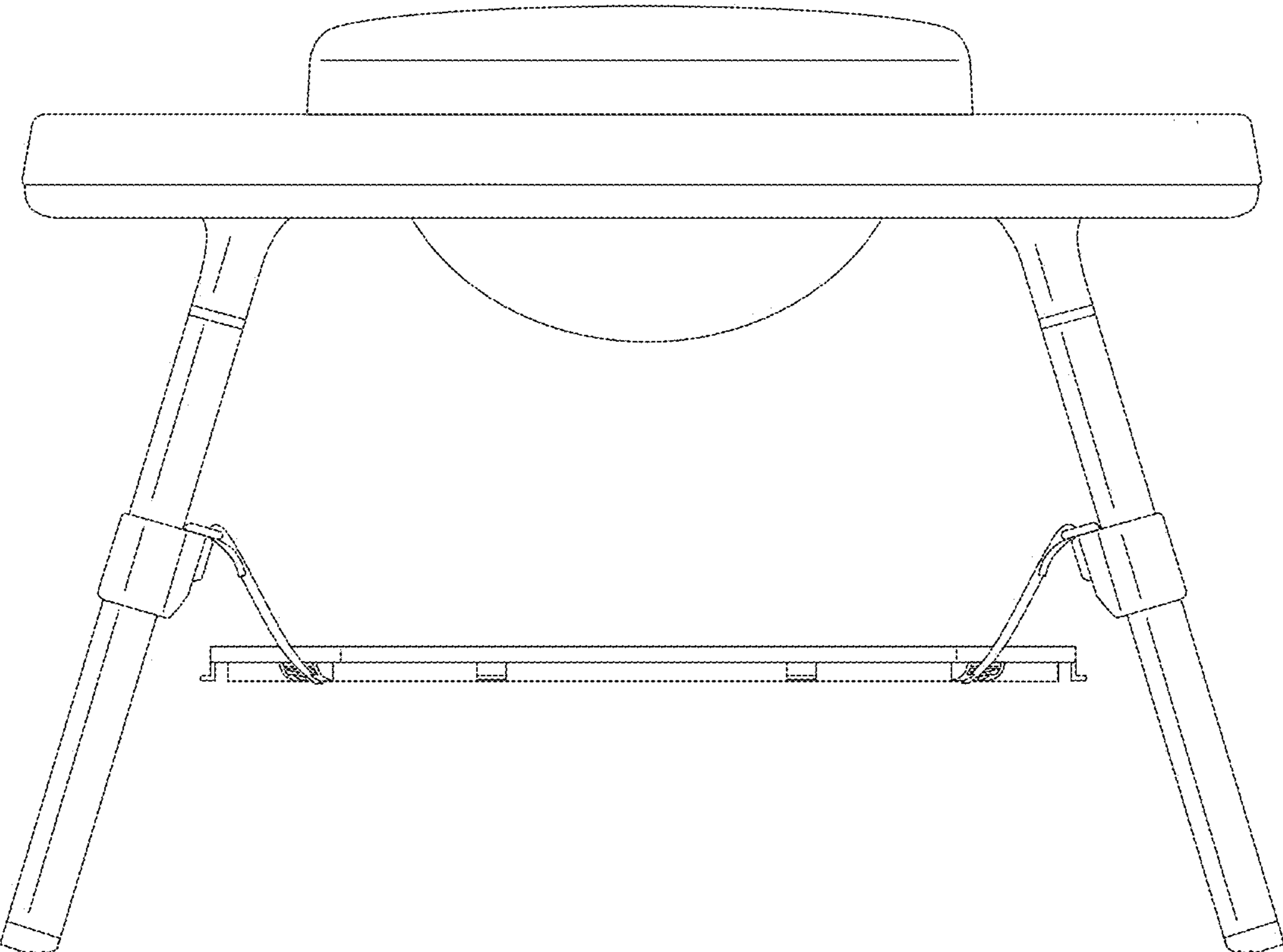


FIG. 6



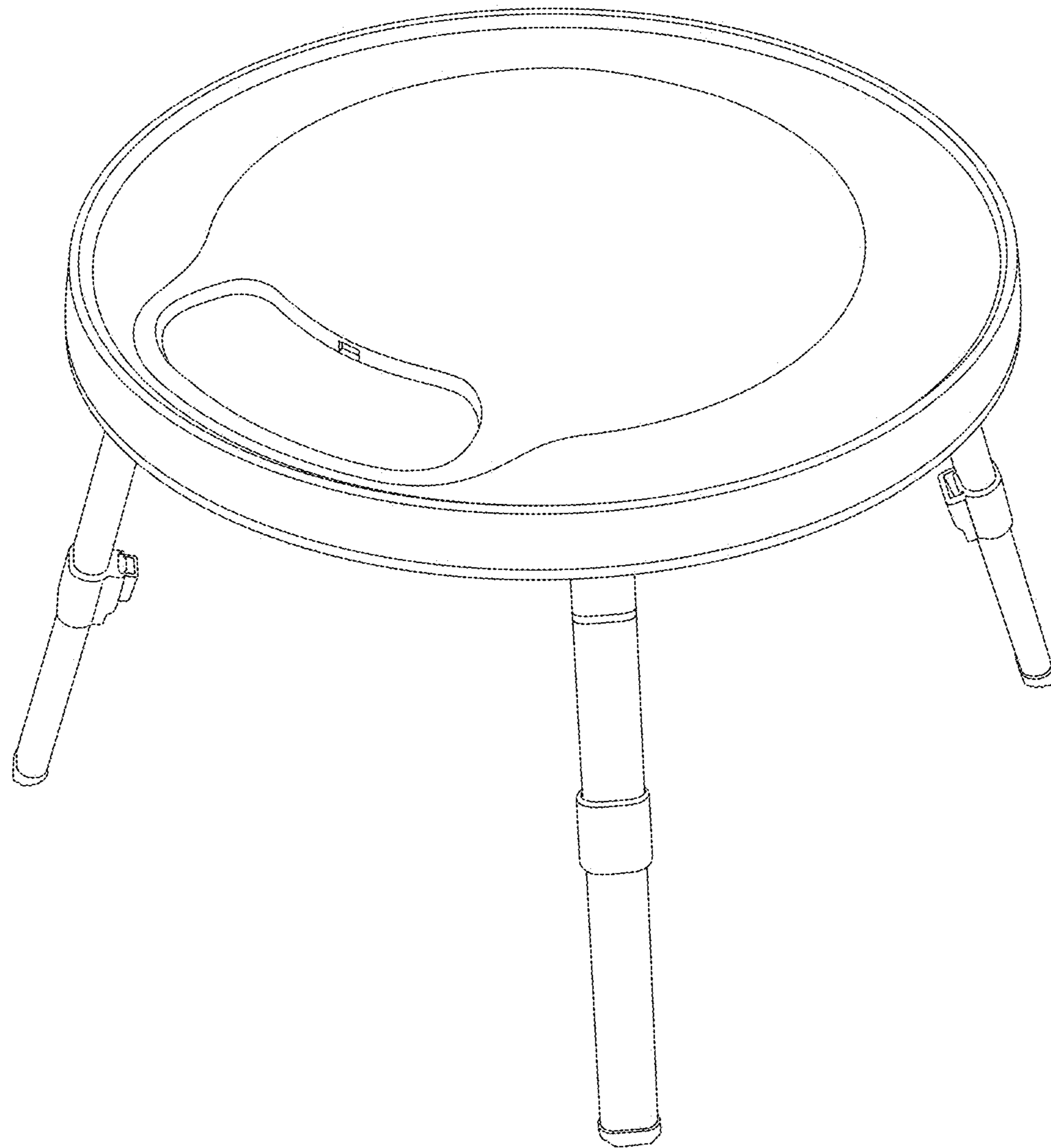


FIG. 7

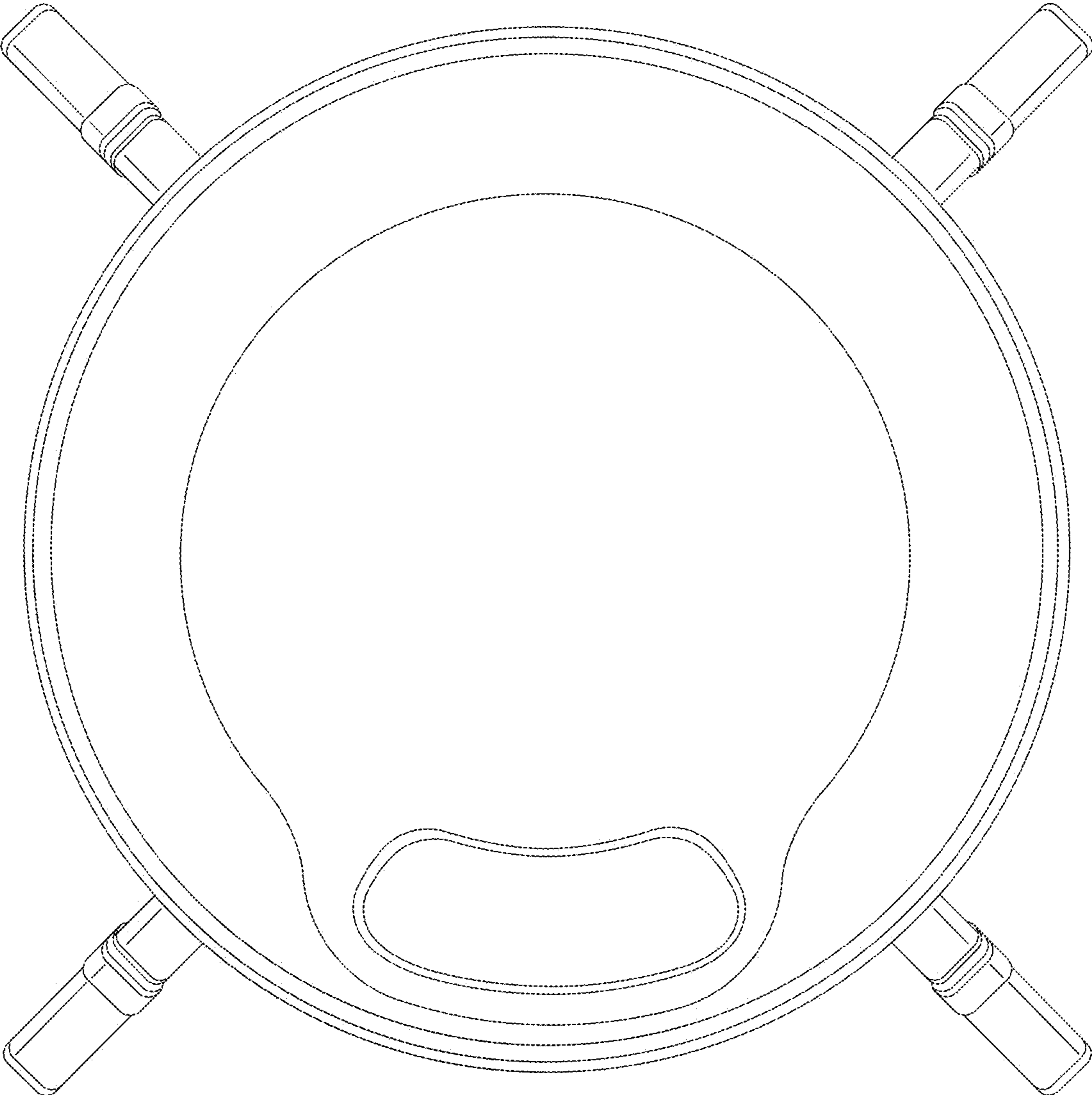


FIG. 8

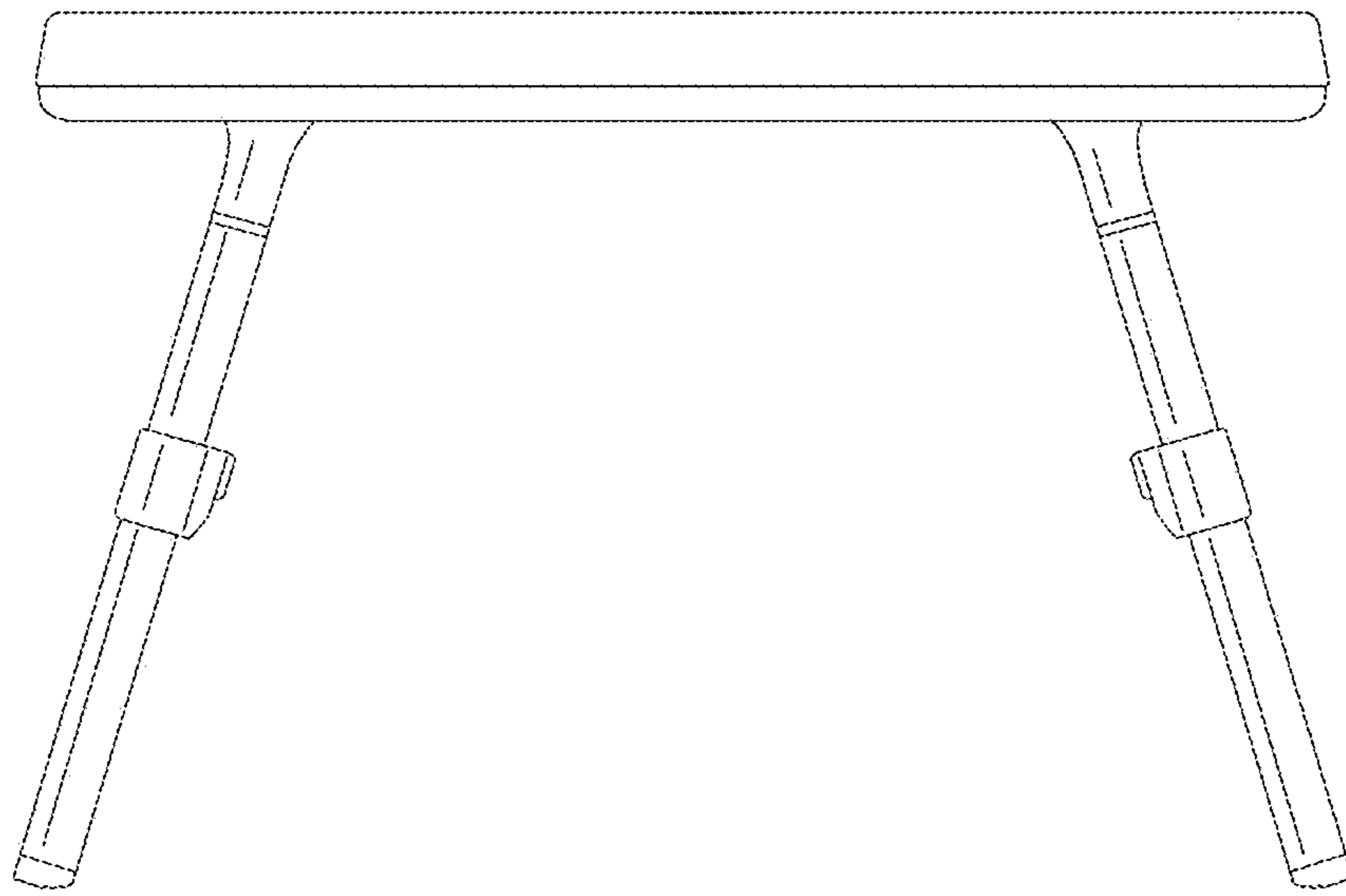


FIG. 9

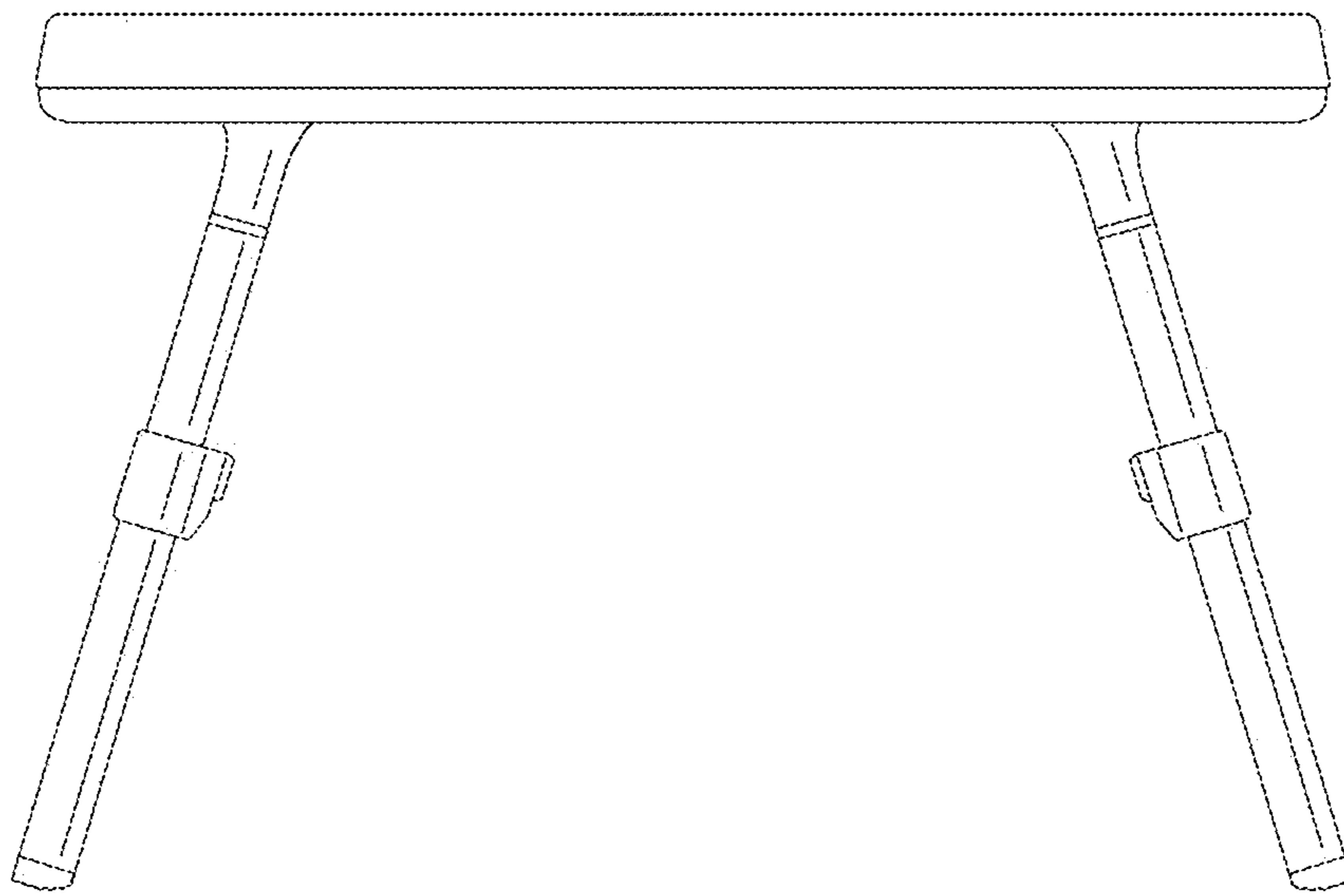


FIG. 10

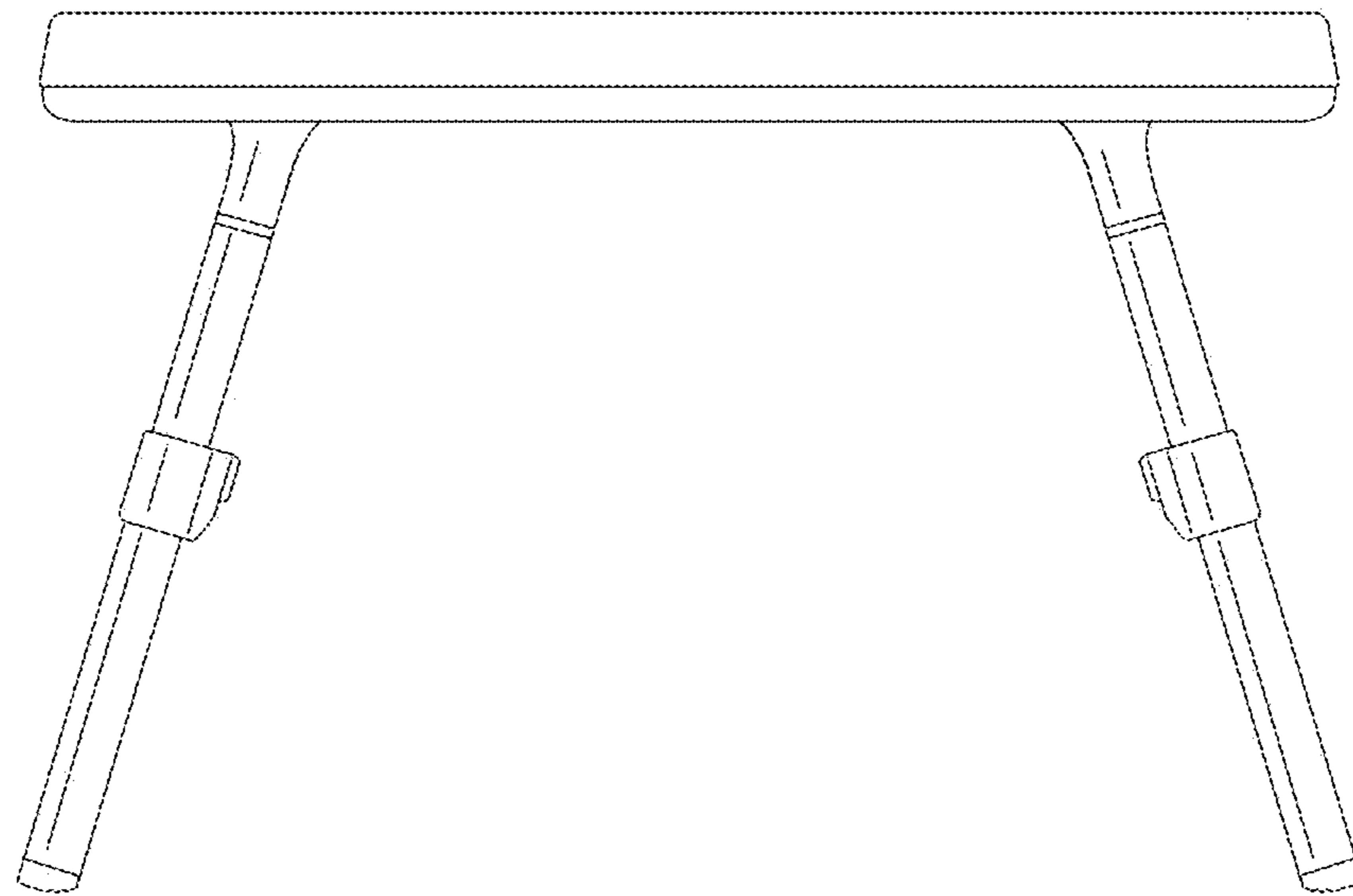


FIG. 11

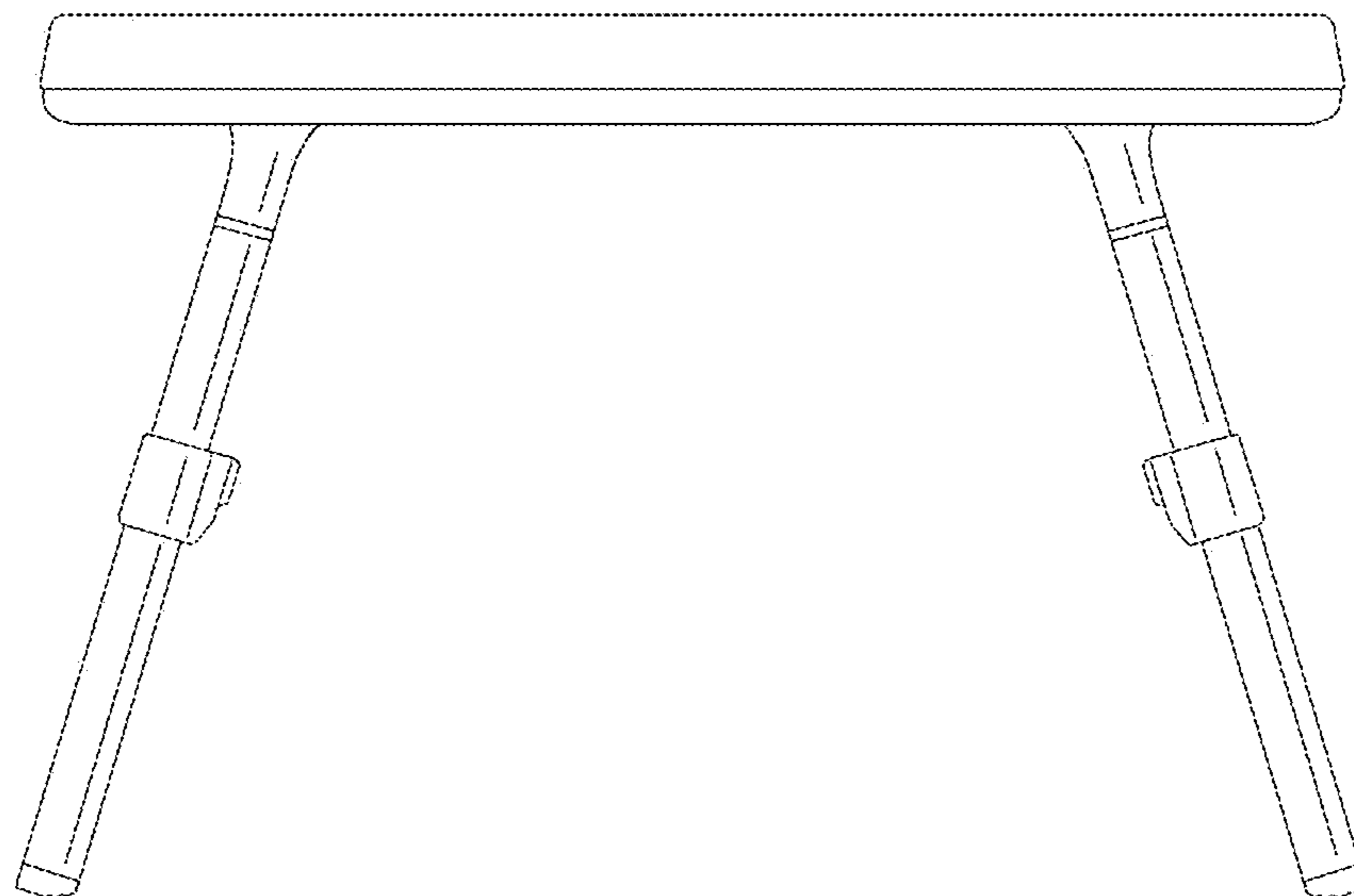


FIG. 12