

US00D868898S

(12) **United States Design Patent** (10) **Patent No.:** **US D868,898 S**  
**Fei** (45) **Date of Patent:** **\*\* Dec. 3, 2019**

(54) **GAME CONTROLLER**

(71) Applicant: **Qin Fei**, Shenzhen (CN)

(72) Inventor: **Qin Fei**, Shenzhen (CN)

(\*\*) Term: **15 Years**

(21) Appl. No.: **29/642,483**

(22) Filed: **Mar. 29, 2018**

(51) **LOC (12) Cl.** ..... **21-01**

(52) **U.S. Cl.**  
USPC ..... **D21/333**

(58) **Field of Classification Search**  
USPC ..... D21/333; D14/160, 137, 138, 168, 174,  
D14/217, 218, 356, 387, 388, 389, 400,  
D14/401, 443, 449, 450, 454, 471, 474,  
D14/483, 496, 511; D12/174, 177, 190,  
D12/218; D13/164, 168; D18/19  
CPC ..... A63F 13/24; G06F 1/1666; H04N 7/14;  
H04N 21/00

See application file for complete search history.

(56) **References Cited**

**U.S. PATENT DOCUMENTS**

D646,275 S	*	10/2011	Ikeda	.....	D14/401
D692,000 S	*	10/2013	Ibuki	.....	D14/401
D692,001 S	*	10/2013	Ibuki	.....	D14/401
D694,830 S	*	12/2013	Crowley	.....	D14/401
D708,615 S	*	7/2014	Delrue	.....	D14/401
D765,791 S	*	9/2016	Chatterjee	.....	D14/401
D765,792 S	*	9/2016	Chatterjee	.....	D14/401
D766,902 S	*	9/2016	Bellinghausen	.....	D14/401
D772,988 S	*	11/2016	Kujawski	.....	D14/401
D786,251 S	*	5/2017	Chatterjee	.....	D14/401

D786,870 S	*	5/2017	Coe	.....	D14/401
D787,606 S	*	5/2017	Coe	.....	D21/333
D794,717 S	*	8/2017	Kujawski	.....	D14/401
D795,351 S	*	8/2017	Chatterjee	.....	D14/401
D795,960 S	*	8/2017	Chatterjee	.....	D14/401
D795,961 S	*	8/2017	Chatterjee	.....	D14/401
D798,954 S	*	10/2017	Chatterjee	.....	D21/333
D816,674 S	*	5/2018	Wu	.....	D14/401
2018/0207523 A1	*	7/2018	Lyden	.....	A63F 13/24

**OTHER PUBLICATIONS**

“Obecome-Bluetooth-Wireless-Controller”, posted Jul. 27, 2017 [online], [retrieved Dec. 18, 2018. Retrieved from internet, [https://www.amazon.com/Obecome-Bluetooth-Wireless-Controller-Joystick-PC/dp/B01M9JMGNO/ref=cm\\_cr\\_ar\\_p\\_d\\_product\\_top?ie=UTF8](https://www.amazon.com/Obecome-Bluetooth-Wireless-Controller-Joystick-PC/dp/B01M9JMGNO/ref=cm_cr_ar_p_d_product_top?ie=UTF8).\*

\* cited by examiner

*Primary Examiner* — Sandra S Snapp  
*Assistant Examiner* — Mehri F Bajoul  
(74) *Attorney, Agent, or Firm* — Che-Yang Chen; Law offices of Scott Warmuth

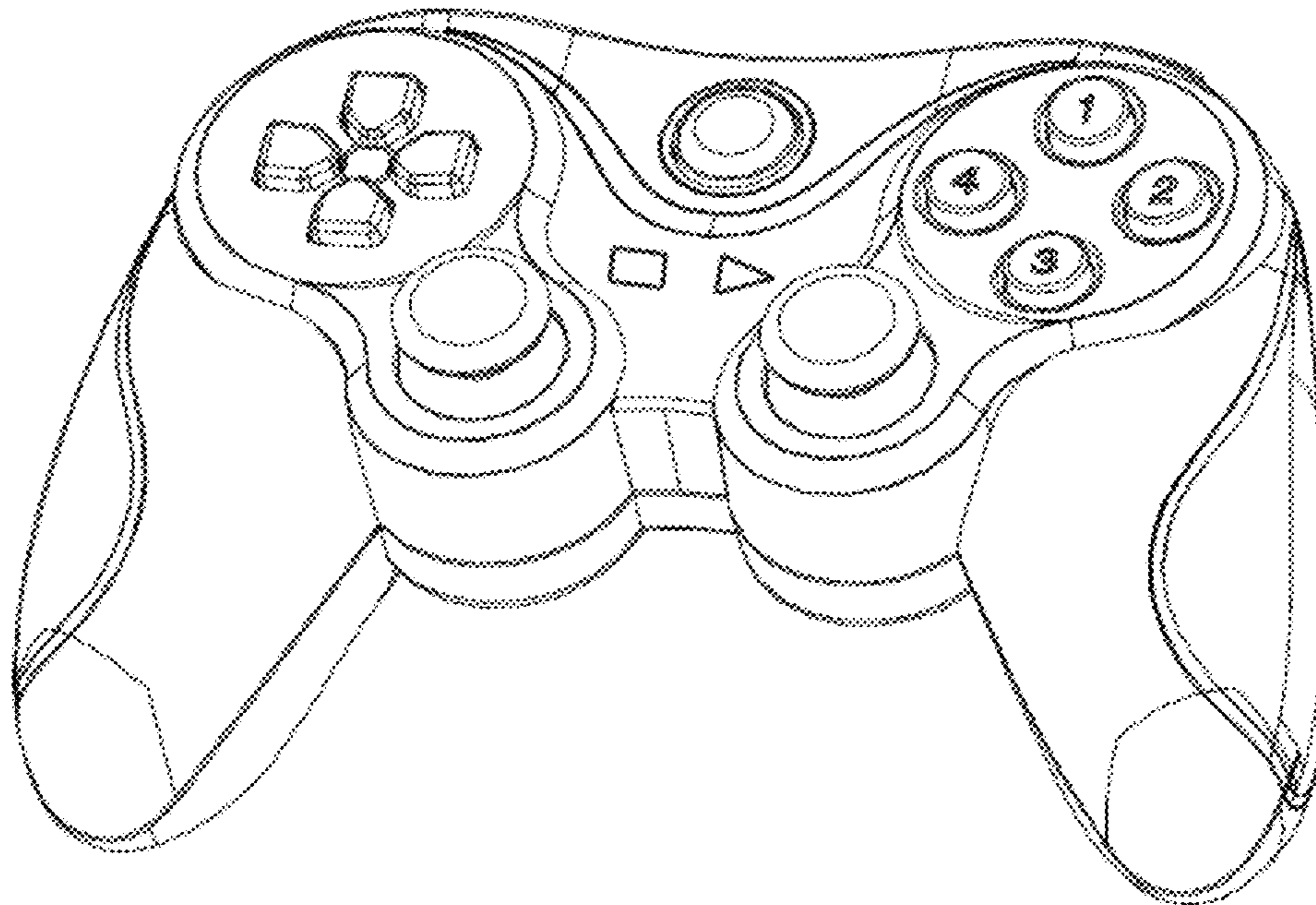
(57) **CLAIM**

The ornamental design for a game controller, as shown and described.

**DESCRIPTION**

FIG. 1 is a front perspective view of a game controller showing my new design;  
FIG. 2 is a front elevation view thereof;  
FIG. 3 is a rear elevation view thereof;  
FIG. 4 is a left side elevational view thereof;  
FIG. 5 is a right side elevational view thereof; and,  
FIG. 6 is a top plan view thereof.

**1 Claim, 5 Drawing Sheets**



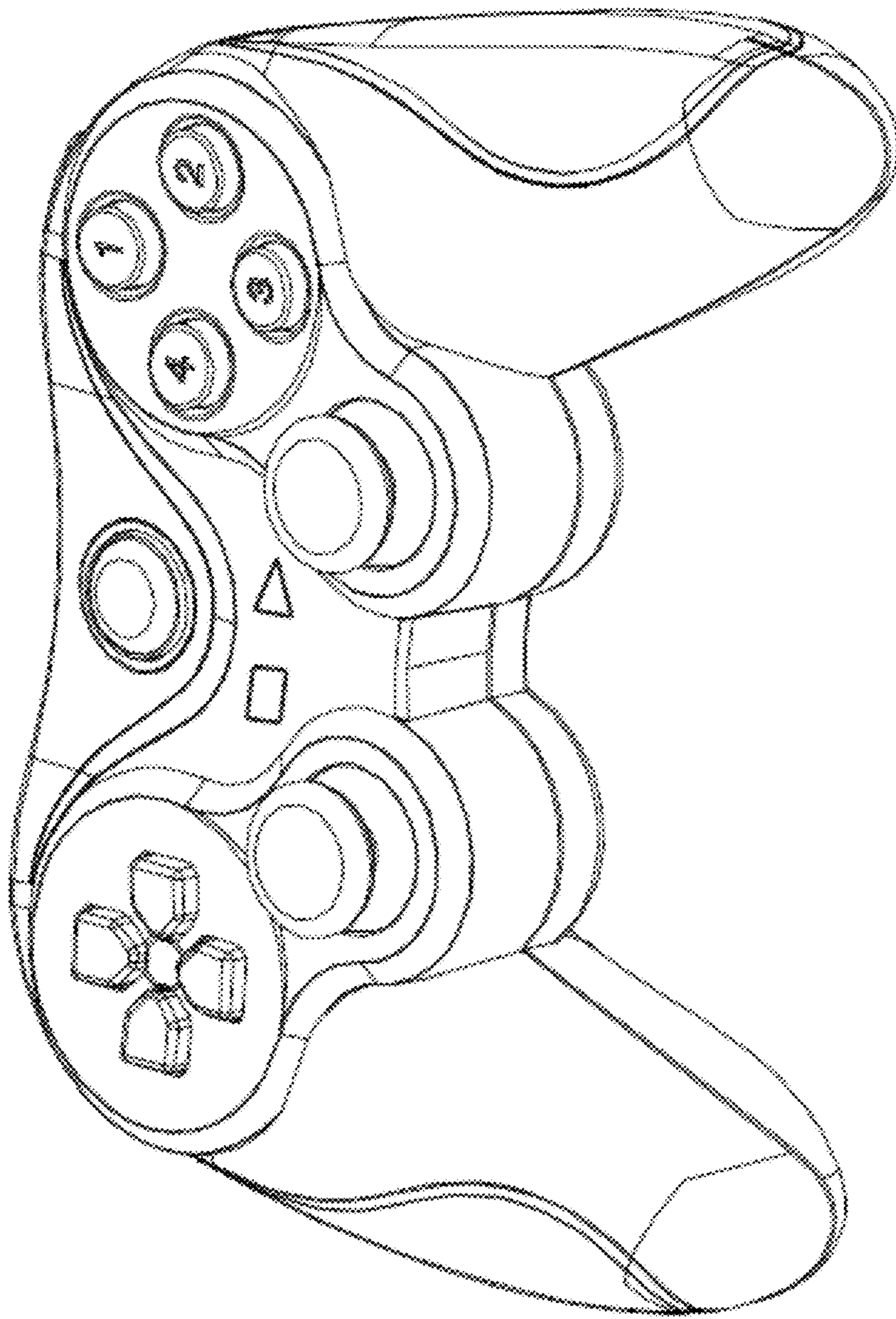


FIG. 1

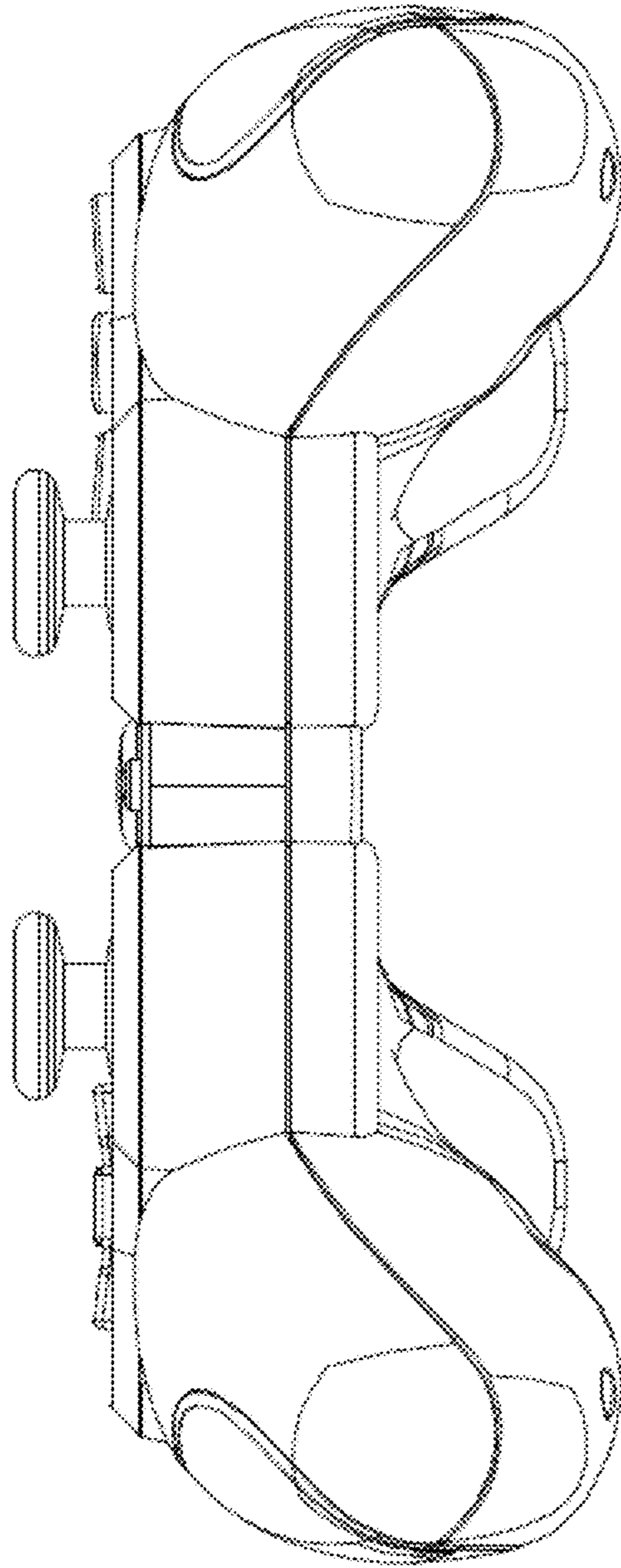


FIG. 2



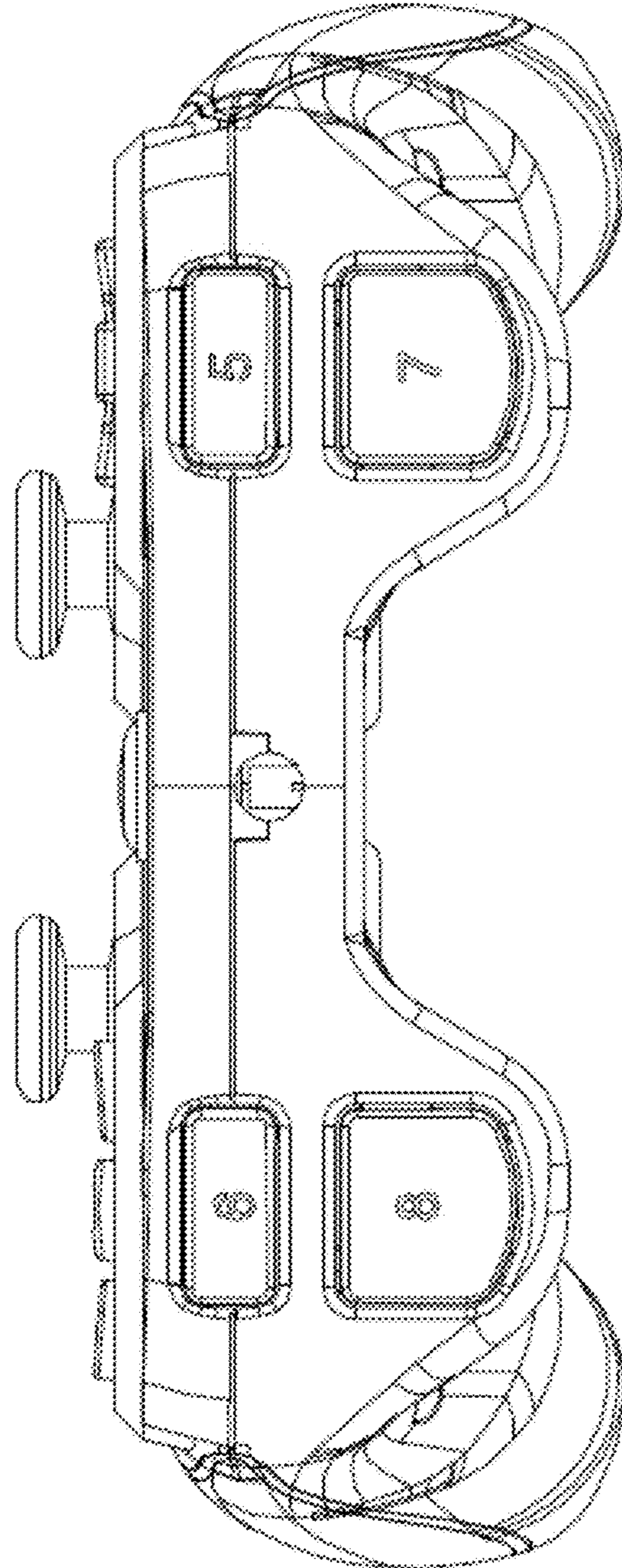


FIG. 3

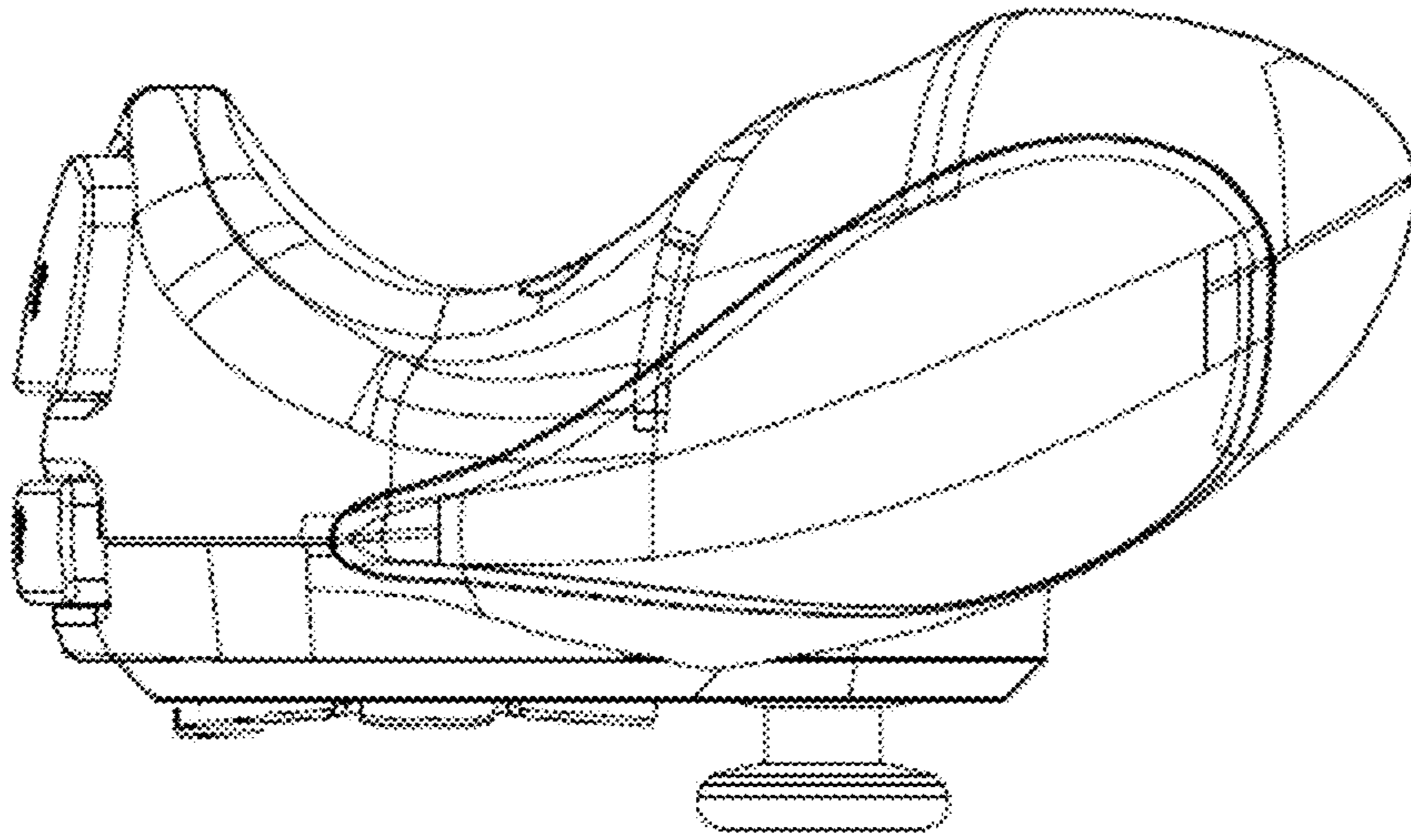


FIG. 4

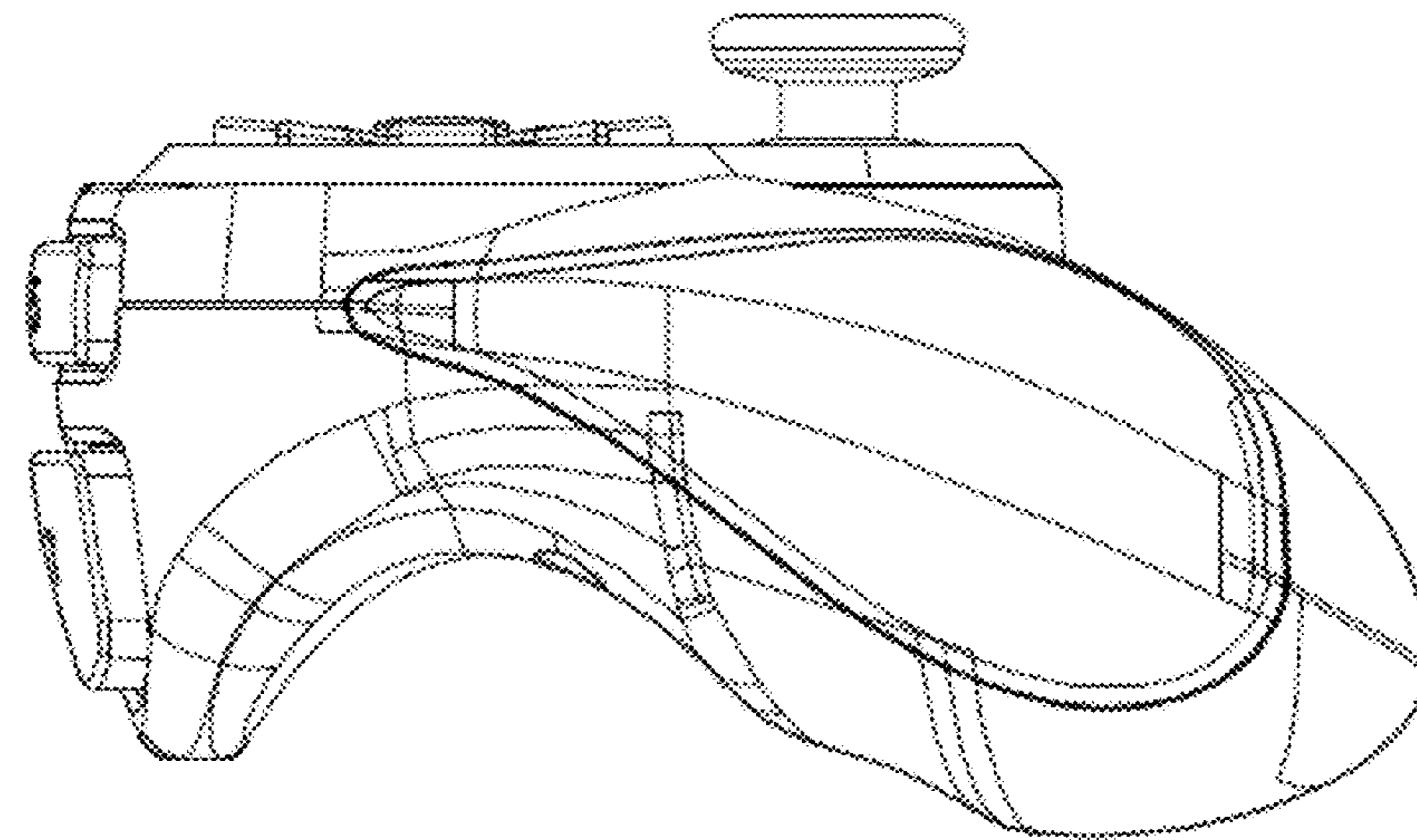


FIG. 5

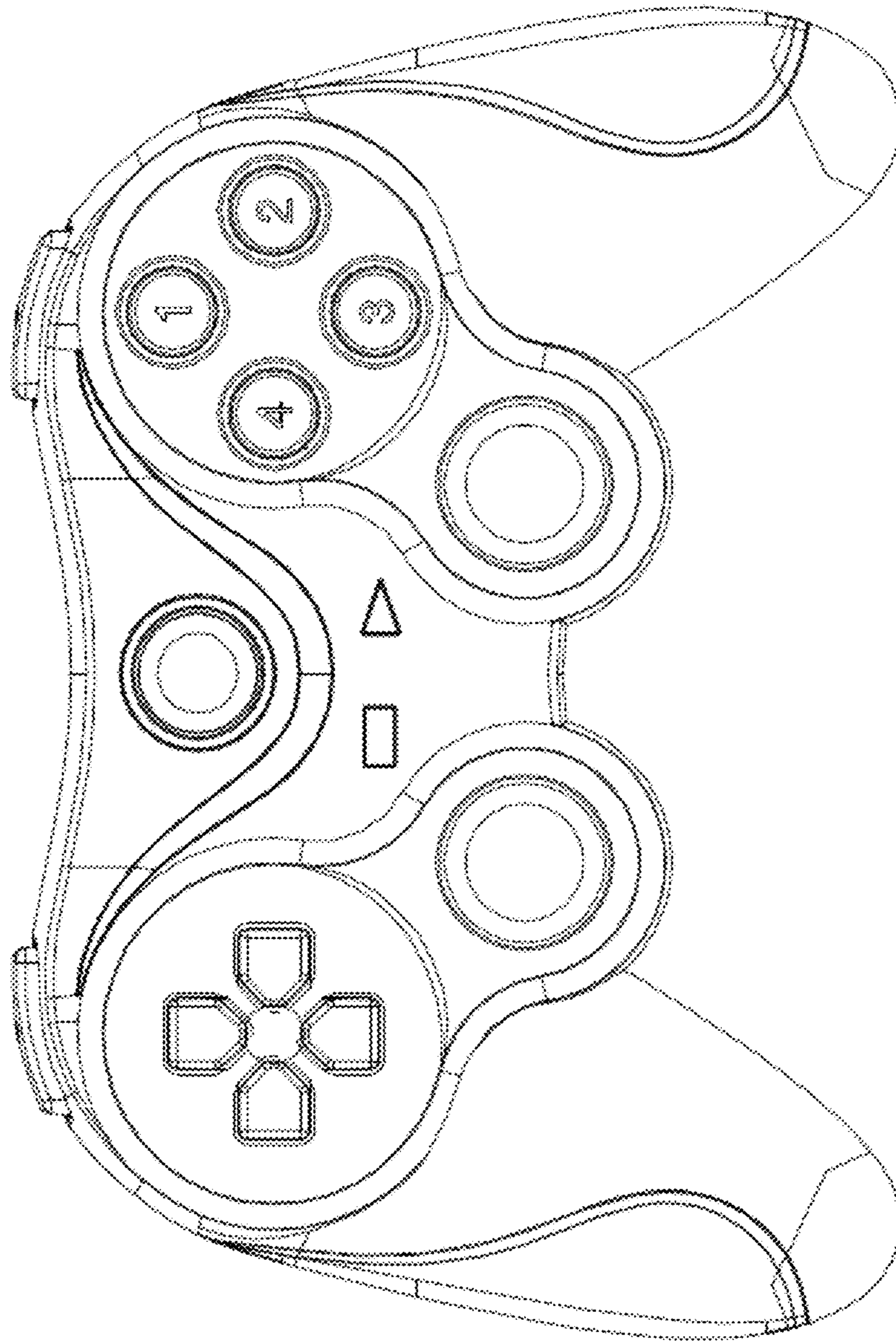


FIG. 6