



US00D868893S

(12) **United States Design Patent** (10) **Patent No.:** **US D868,893 S**
Broen et al. (45) **Date of Patent:** **** Dec. 3, 2019**

(54) **VENDING MACHINE**
(71) Applicant: **PepsiCo, Inc.**, Purchase, NY (US)
(72) Inventors: **Martin Eduardo Broen**, New York, NY (US); **Stephen Lim**, Chappaqua, NY (US); **Curtis Barbre**, Brooklyn, NY (US); **Marco Perry**, Brooklyn, NY (US); **Mark Prommel**, Brooklyn, NY (US); **Lisa Yanz**, Brooklyn, NY (US)

(73) Assignee: **PepsiCo, Inc.**, Purchase, NY (US)

(**) Term: **15 Years**

(21) Appl. No.: **29/655,715**

(22) Filed: **Jul. 6, 2018**

Related U.S. Application Data

(63) Continuation of application No. 29/560,850, filed on Apr. 11, 2016, now Pat. No. Des. 822,764.

(51) **LOC (12) Cl.** **20-01**

(52) **U.S. Cl.**
USPC **D20/1**

(58) **Field of Classification Search**
USPC D20/1-9; D7/300, 306-308; D99/28
CPC G07F 11/00; G07F 11/02; G07F 11/08;
G07F 11/24; G07F 13/00; G07F 13/02;
G07F 13/06; G07F 13/065; G07F 13/10;
G07F 15/00

See application file for complete search history.

(56) **References Cited**

U.S. PATENT DOCUMENTS

1,629,211 A 5/1927 Giambra
2,191,235 A 2/1940 Llovera
D137,822 S 5/1944 Schladermundt et al.
D151,650 S 11/1948 Naiden
D153,540 S 4/1949 Otto

D175,887 S 10/1955 Hodgman
2,726,026 A 12/1955 Gould et al.
D182,277 S 3/1958 Giepen
2,963,202 A 12/1960 Dickinson et al.
3,548,738 A 12/1970 McDevitt et al.
D276,924 S 12/1984 Bellis
D329,465 S * 9/1992 Kastanek D20/8
D387,809 S 12/1997 Reese et al.
D419,193 S 1/2000 Kojima et al.
D445,594 S 7/2001 McClintock et al.
D497,269 S 10/2004 Richardson et al.
7,311,828 B2 12/2007 Miles et al.
D641,988 S 7/2011 Giroux
D641,990 S 7/2011 Giroux
D641,991 S 7/2011 Giroux
D650,443 S 12/2011 Hallenbeck et al.
D652,244 S 1/2012 Richardson et al.
D696,350 S 12/2013 d'Amore et al.
D704,950 S 5/2014 Bogner et al.
D719,381 S 12/2014 DelaGrange

(Continued)

Primary Examiner — Mary Ann Calabrese

(74) *Attorney, Agent, or Firm* — Sterne, Kessler, Goldstein & Fox P.L.L.C.

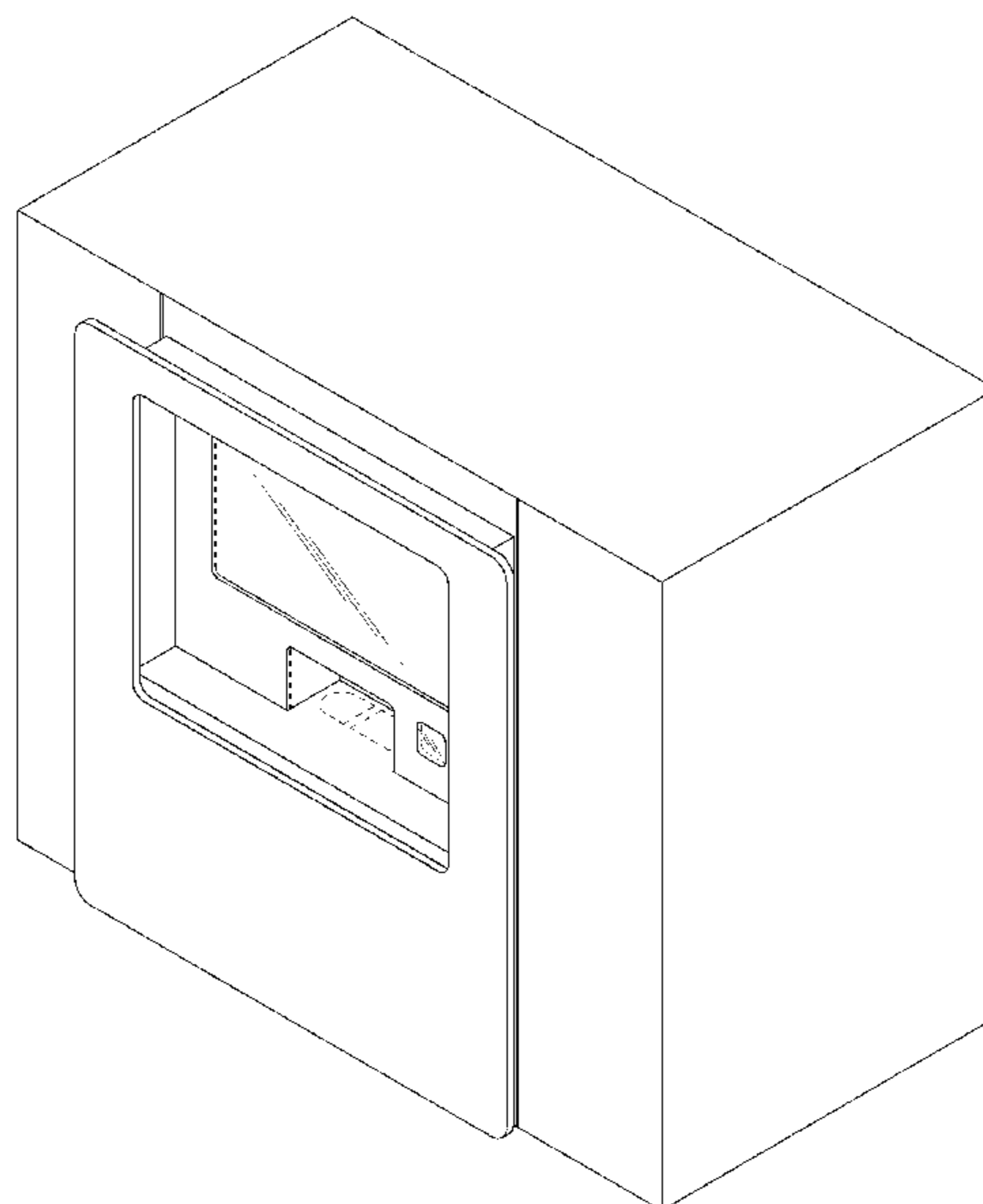
(57) **CLAIM**

The ornamental design for a vending machine, as shown and described.

DESCRIPTION

FIG. 1 is a top front perspective view of a vending machine showing the claimed design;
FIG. 2 is a front view thereof;
FIG. 3 is a rear view thereof;
FIG. 4 is a left side view thereof;
FIG. 5 is a right side view thereof;
FIG. 6 is a top view thereof; and,
FIG. 7 is a bottom view thereof.
The broken lines in the figures show portions of the vending machine that form no part of the claimed design.

1 Claim, 6 Drawing Sheets



(56)

References Cited

U.S. PATENT DOCUMENTS

D727,055 S 4/2015 Bogner et al.
D730,538 S 5/2015 Lin
D743,730 S * 11/2015 Yang D7/300
D746,539 S 12/2015 Lee et al.
D759,757 S 6/2016 Chen et al.
D763,355 S 8/2016 Stolarz et al.
D781,930 S * 3/2017 Ward D15/79
D816,771 S * 5/2018 Kobe D20/1
D822,764 S * 7/2018 Broen D20/8
2005/0102918 A1 5/2005 Richardson et al.
2012/0318635 A1 12/2012 Brown
2017/0346795 A1* 11/2017 Gong B67D 1/0022

* cited by examiner

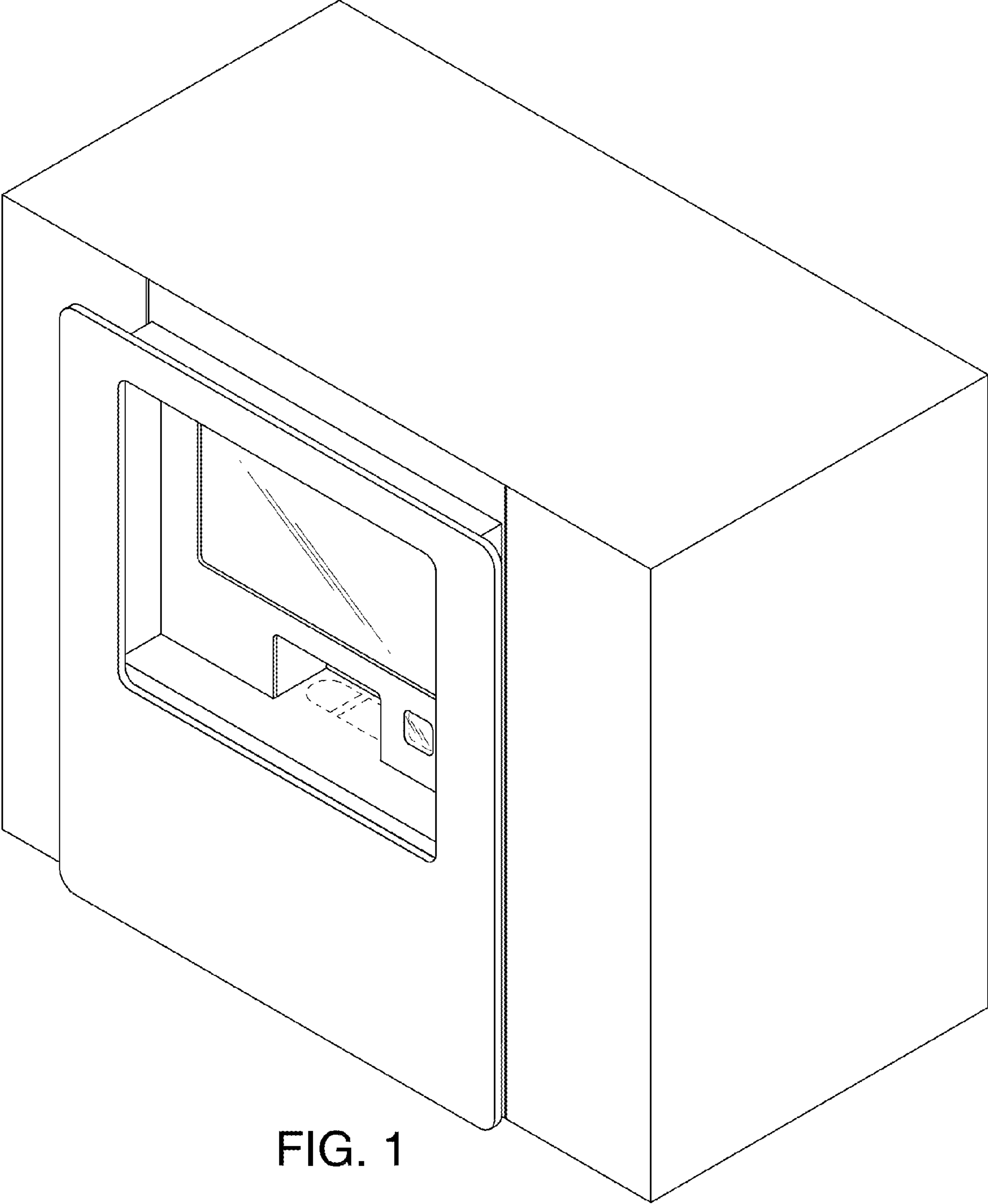


FIG. 1

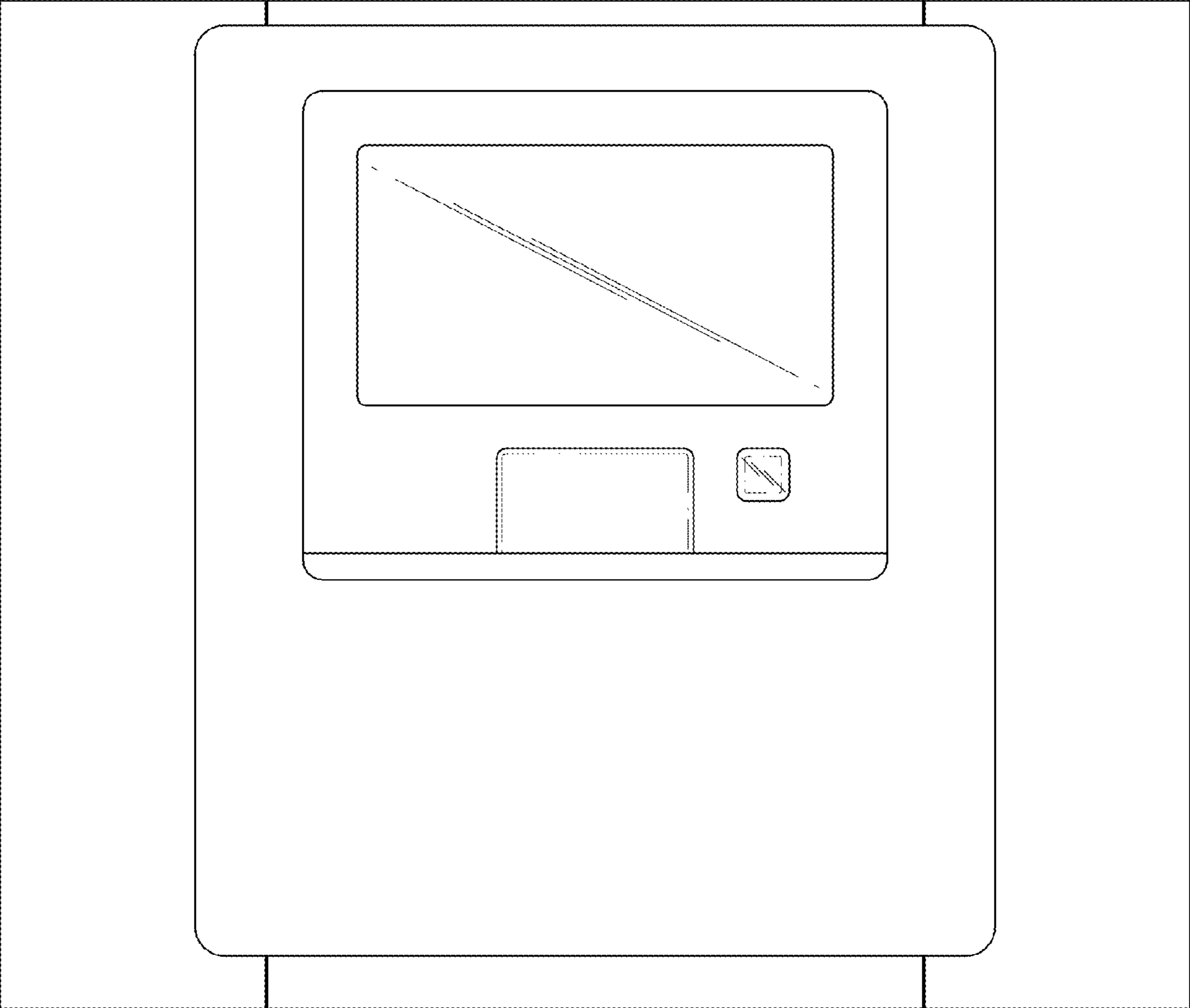


FIG. 2



FIG. 3

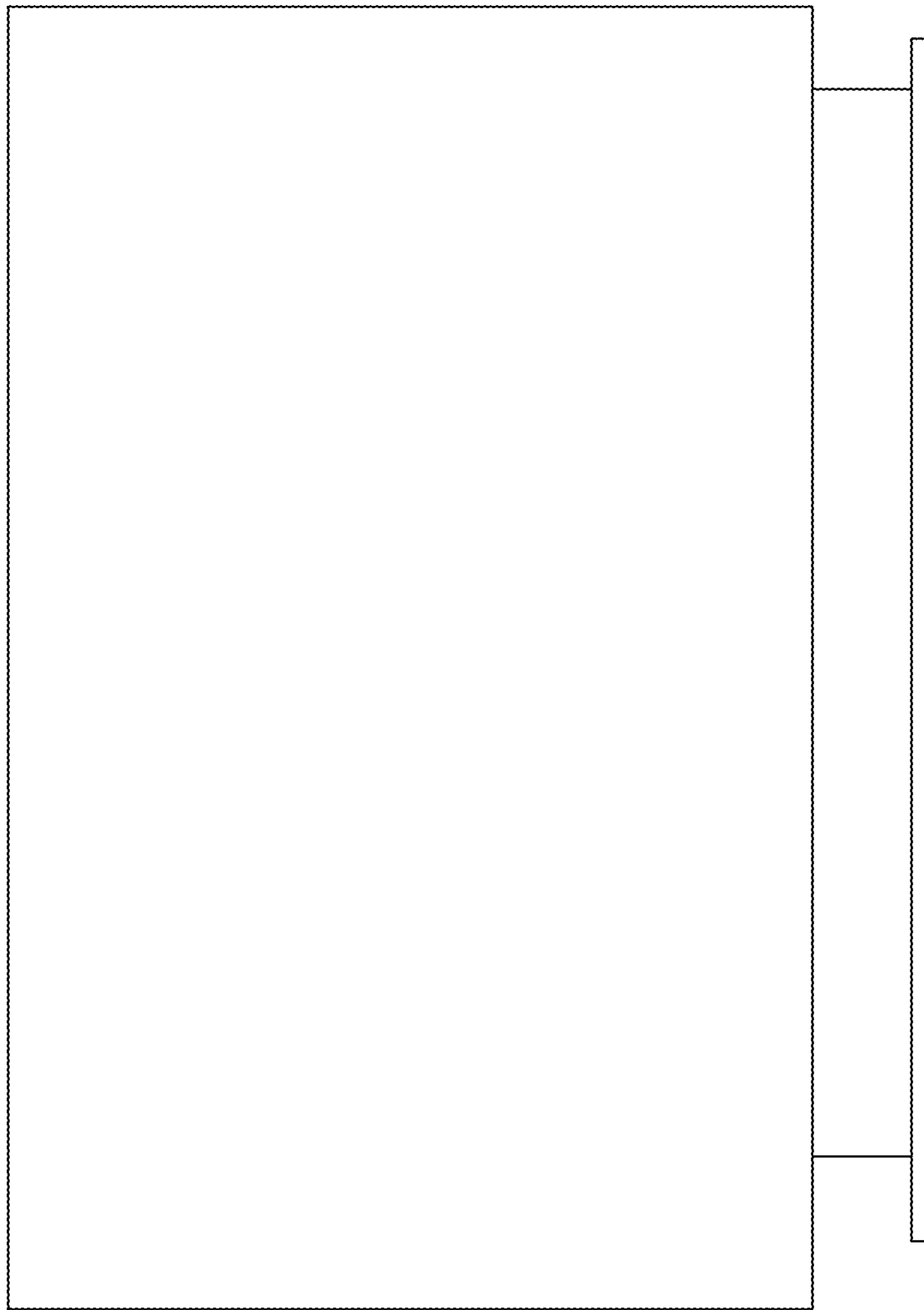


FIG. 4



FIG. 5

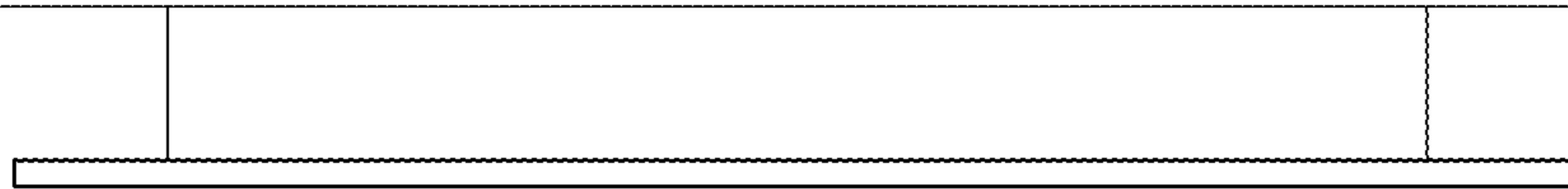
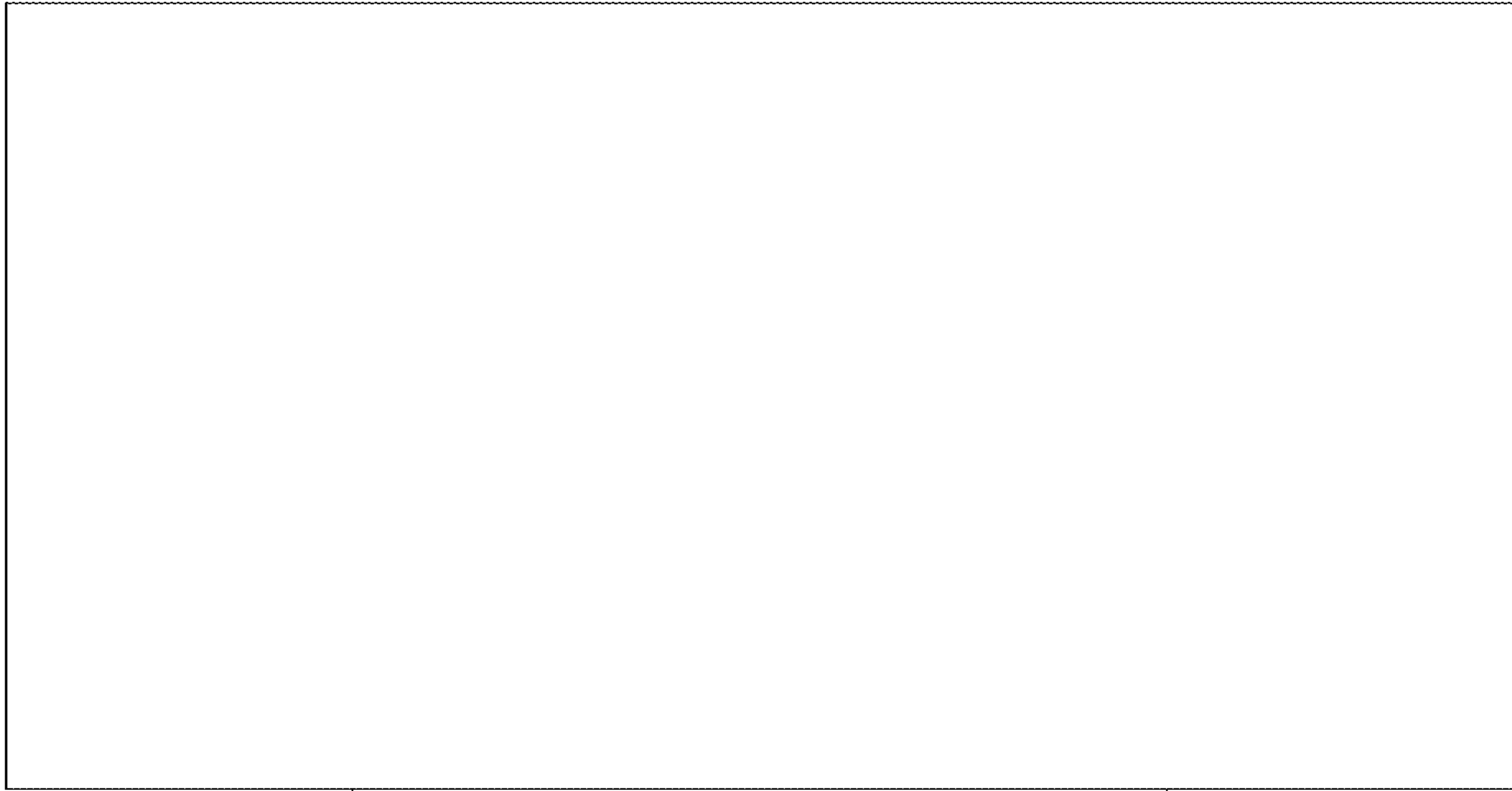


FIG. 6

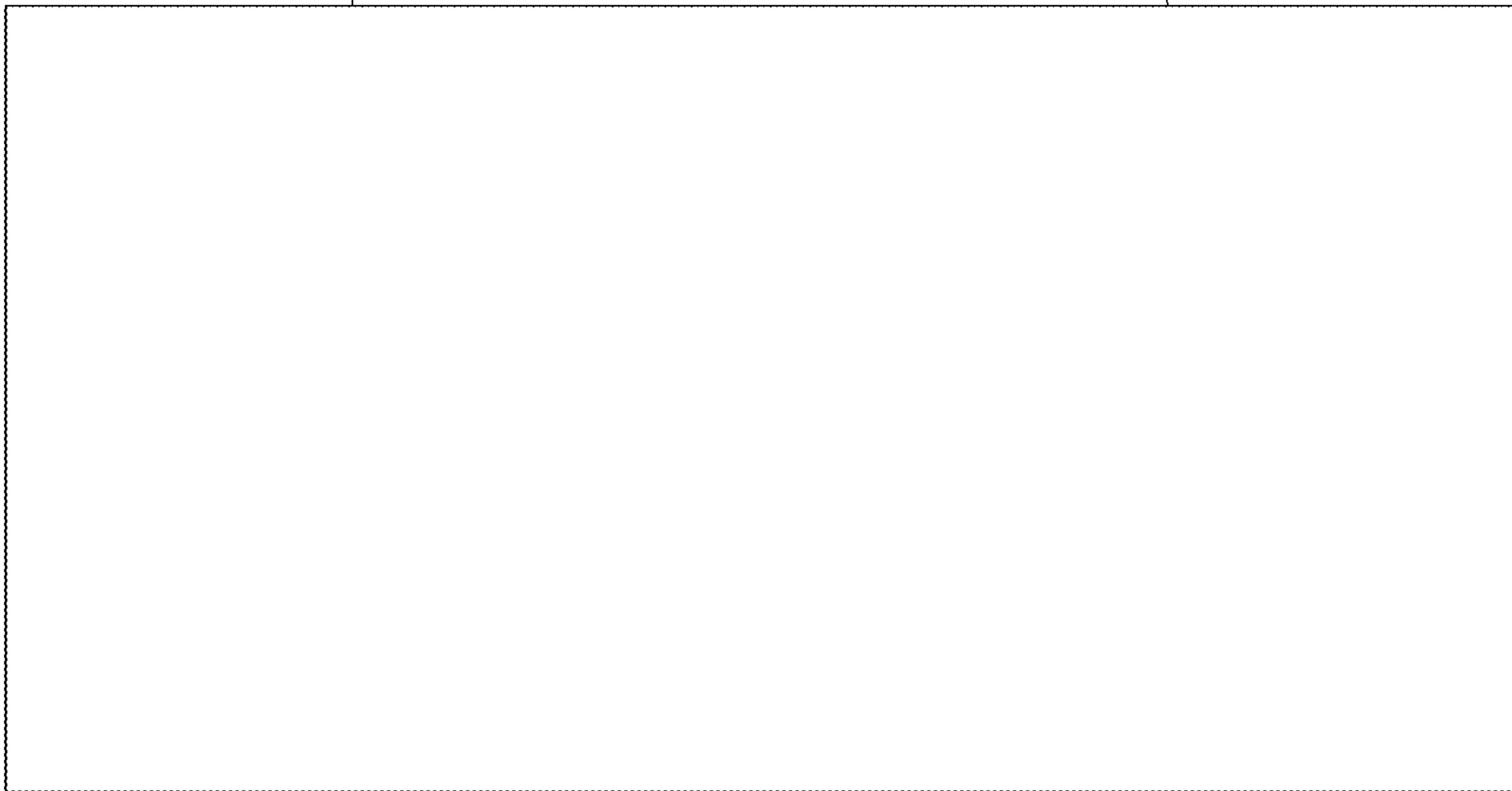
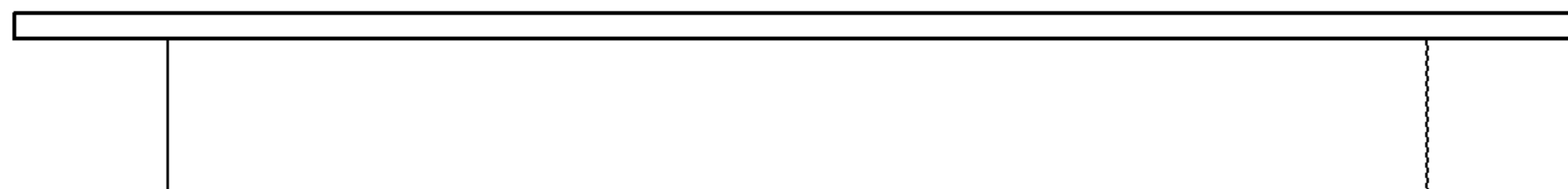


FIG. 7