



US00D868892S

(12) **United States Design Patent** (10) **Patent No.:** **US D868,892 S**  
**Allen** (45) **Date of Patent:** **\*\* Dec. 3, 2019**

(54) **PEN CAP**  
(71) Applicant: **Ferring B.V.**, Hoofddorp (NL)  
(72) Inventor: **Scott Peter Allen**, Copenhagen (DK)  
(73) Assignee: **FERRING B.V.**, Hoofddorp (NL)  
(\*\*) Term: **15 Years**  
(21) Appl. No.: **29/587,901**  
(22) Filed: **Dec. 16, 2016**

(30) **Foreign Application Priority Data**

Aug. 30, 2016 (EM) ..... 003357706-0001

(51) **LOC (12) Cl.** ..... **19-06**

(52) **U.S. Cl.**  
USPC ..... **D19/195**; D19/933

(58) **Field of Classification Search**  
USPC ..... D14/411; D19/115-204; D9/724, 725  
CPC . B43K 7/00; B43K 7/005; B43K 7/12; B43K  
8/04; B43K 8/06; B43K 19/00; B43K  
19/02; B43K 19/14; B43K 21/006; B43K  
23/06; B43K 24/08  
See application file for complete search history.

(56) **References Cited**

U.S. PATENT DOCUMENTS

D227,611 S \* 7/1973 Carre ..... D19/168  
D253,060 S \* 10/1979 Itoh ..... D19/167  
D254,912 S \* 5/1980 Ito ..... D19/164  
D259,792 S \* 7/1981 Itoh ..... D19/169  
D286,547 S \* 11/1986 Koizumi ..... D19/169  
D287,373 S \* 12/1986 Renault ..... D19/165  
D288,335 S \* 2/1987 Renault ..... D19/168  
D288,450 S \* 2/1987 Renault ..... D19/168  
D305,551 S \* 1/1990 Oka ..... D19/195  
D313,245 S \* 12/1990 Iwase ..... D19/169  
D318,294 S \* 7/1991 Cho-Kai ..... D19/166

D321,718 S \* 11/1991 Ambasz ..... D19/168  
D327,911 S \* 7/1992 Poisson ..... D19/168  
D331,940 S \* 12/1992 Shirai ..... D19/165  
D335,141 S \* 4/1993 Katami ..... D19/195  
D335,143 S \* 4/1993 Katami ..... D19/195  
D349,297 S \* 8/1994 Shimizu ..... D19/195  
D385,917 S \* 11/1997 Katami ..... D19/195  
5,688,251 A \* 11/1997 Chanoch ..... A61M 5/3146  
222/309  
D398,641 S \* 9/1998 Hollington ..... D19/169  
D404,528 S \* 1/1999 Wong ..... D19/123  
D470,887 S \* 2/2003 Okutani ..... D19/163  
D687,543 S \* 8/2013 Pala ..... D24/113  
D688,303 S \* 8/2013 Jiang ..... D19/163

(Continued)

*Primary Examiner* — Elizabeth A. Albert

(74) *Attorney, Agent, or Firm* — Finnegan, Henderson, Farabow, Garrett & Dunner LLP

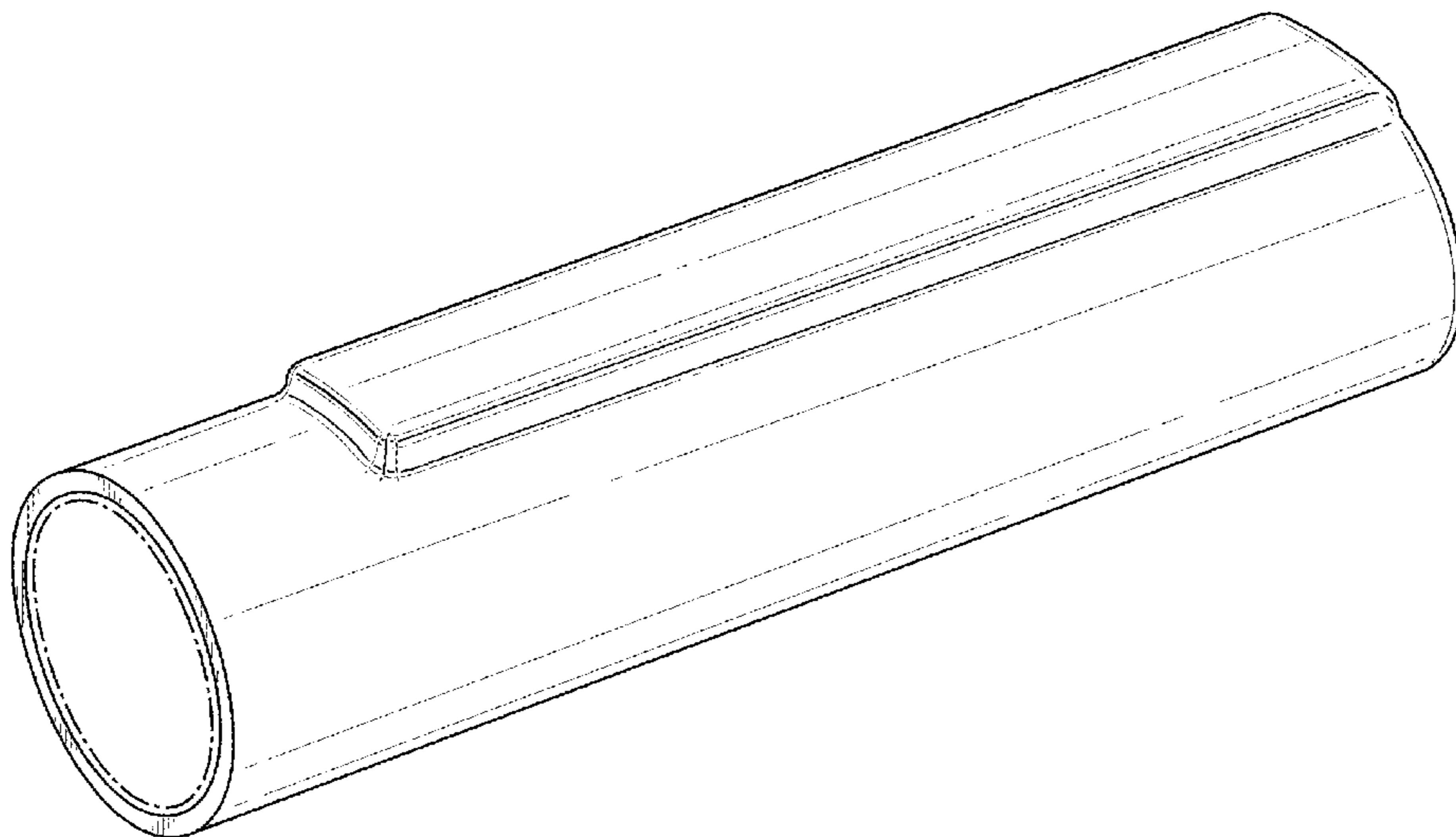
(57) **CLAIM**

The ornamental design for a pen cap, as shown and described.

**DESCRIPTION**

FIG. 1 is a bottom front right perspective view of a pen cap showing my new design;  
FIG. 2 is a top front right perspective view thereof;  
FIG. 3 is a right rear top perspective view thereof;  
FIG. 4 is a front elevation view thereof;  
FIG. 5 is a right side view thereof, the left side view being a mirror image thereof;  
FIG. 6 is a top plan view thereof;  
FIG. 7 is a bottom plan view thereof; and,  
FIG. 8 is a bottom front right perspective view of the pen cap of FIG. 1 shown attached to a pen.  
Portions shown in even-length broken lines are environment. Broken lines of uneven length illustrate the boundary of the claimed design. The broken lines form no part of the claim.

**1 Claim, 7 Drawing Sheets**



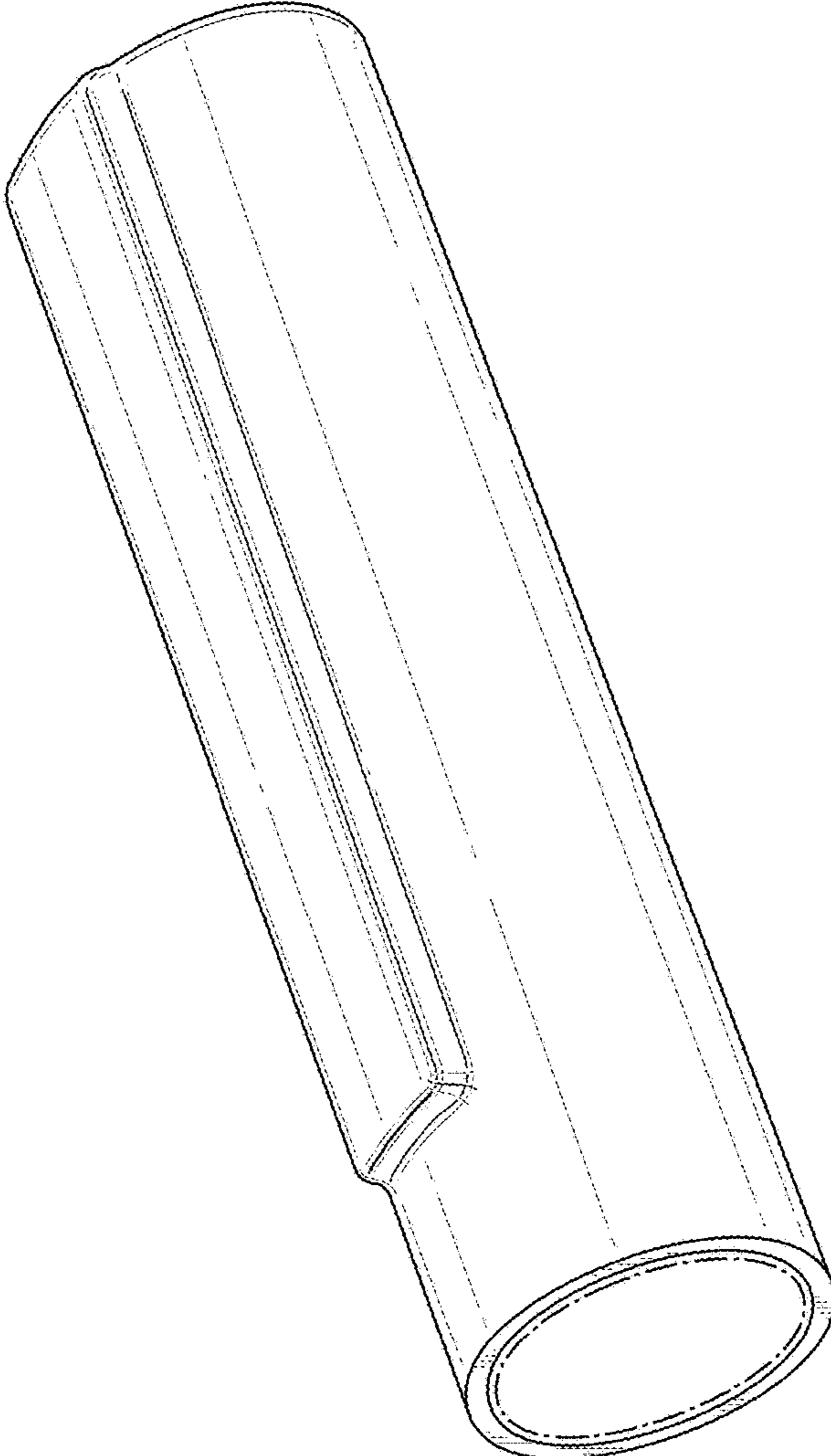
(56)

**References Cited**

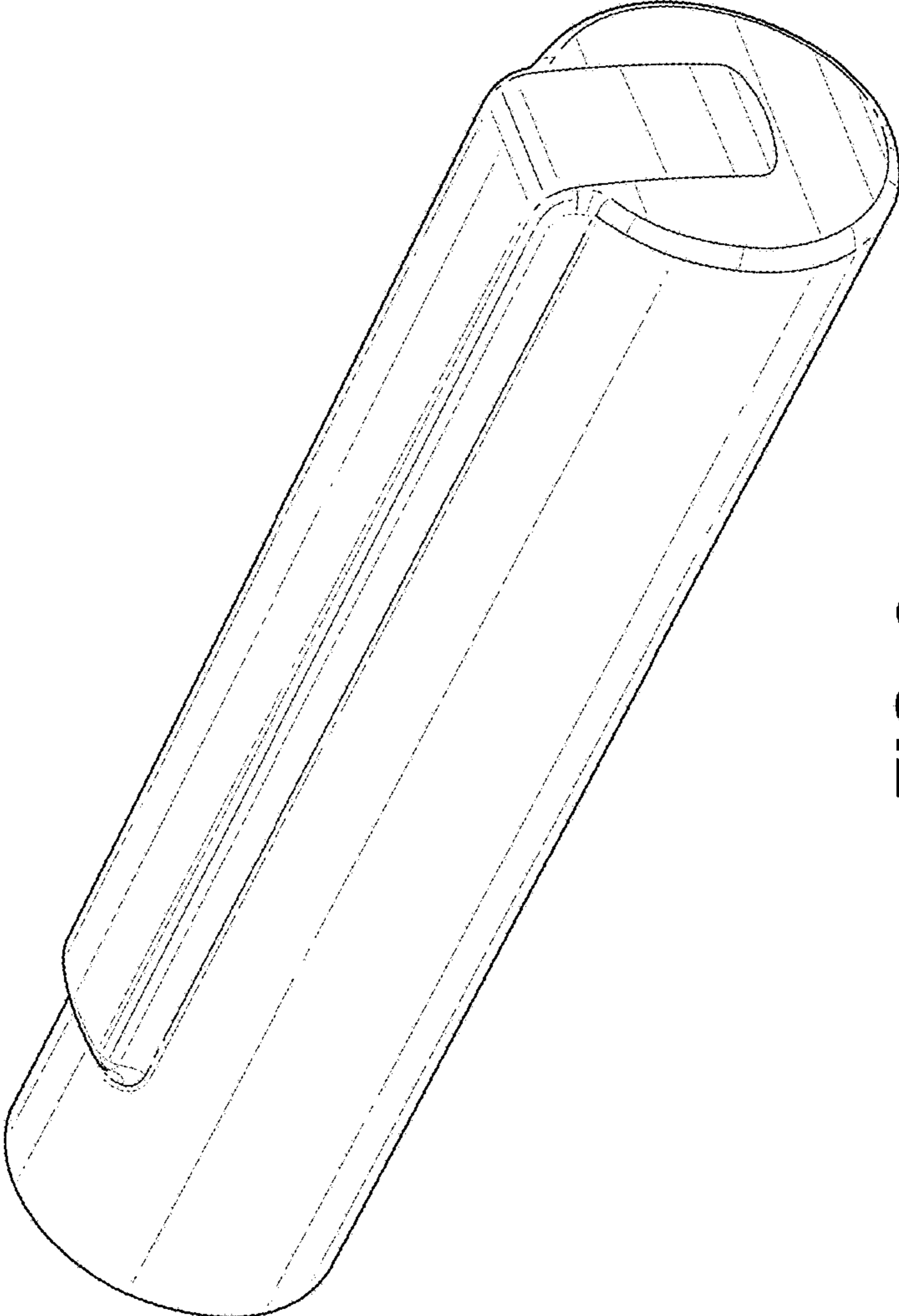
U.S. PATENT DOCUMENTS

D698,864 S \* 2/2014 Watase ..... D19/164  
D724,668 S \* 3/2015 Bo ..... D19/170

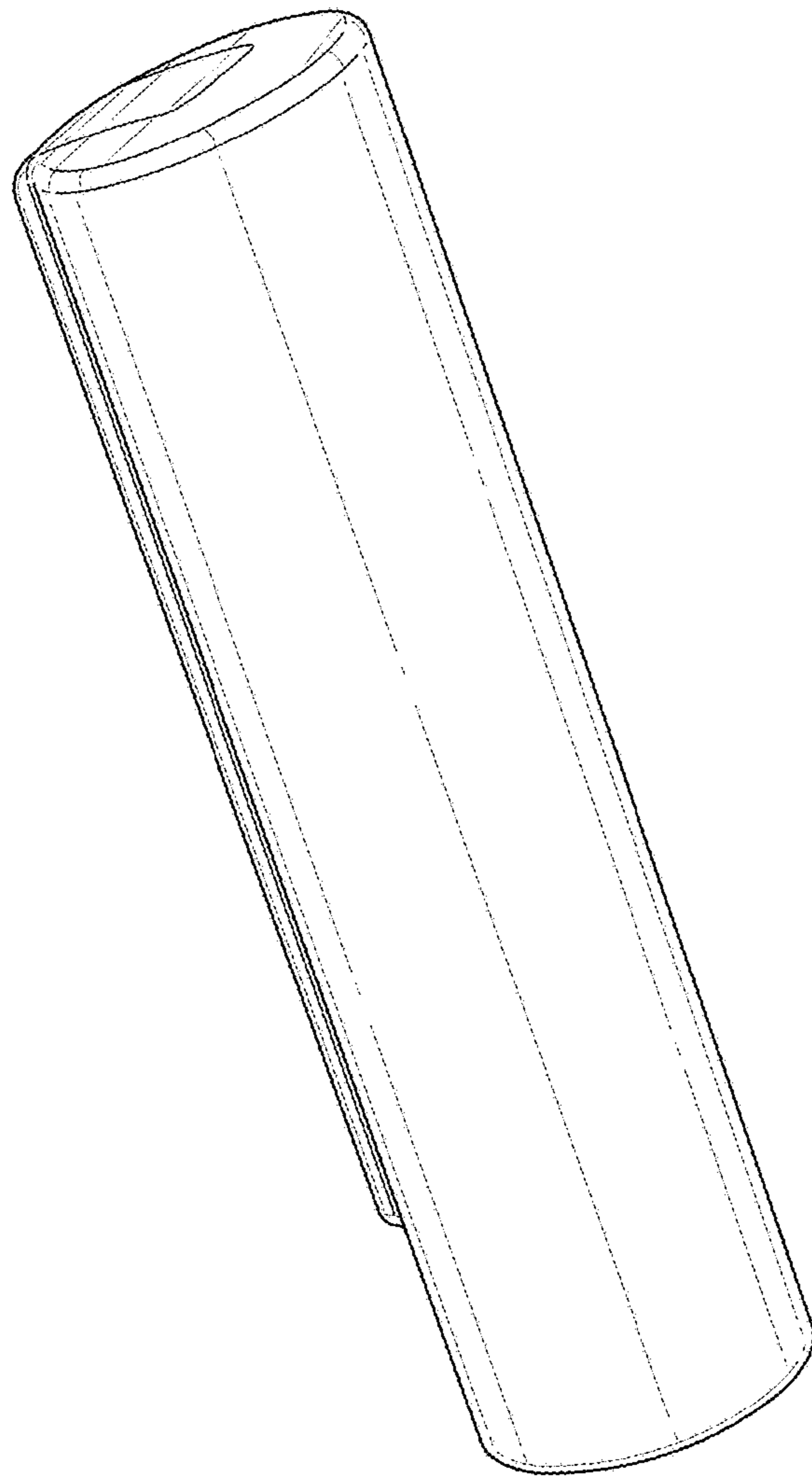
\* cited by examiner



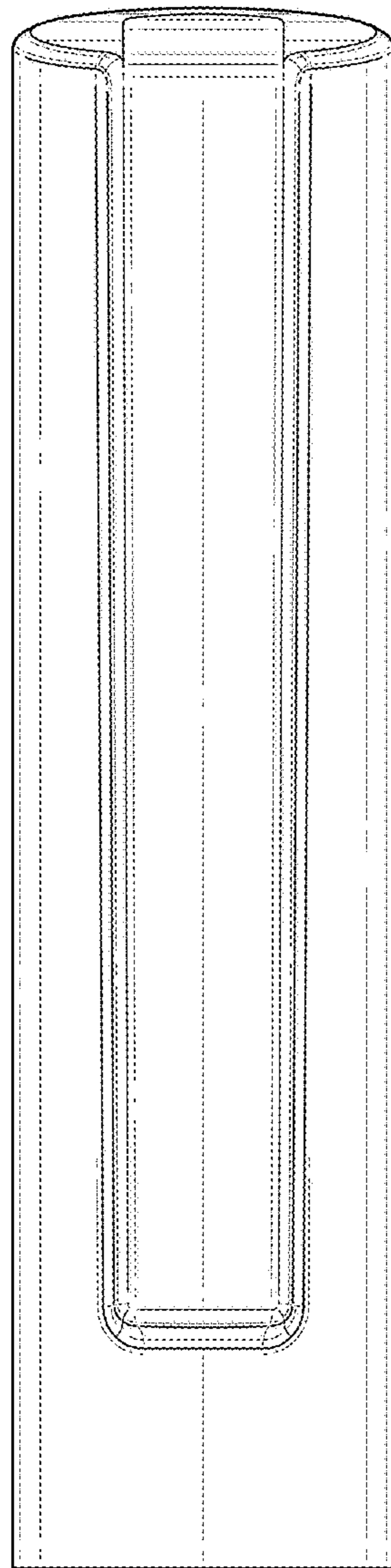
**FIG. 1**



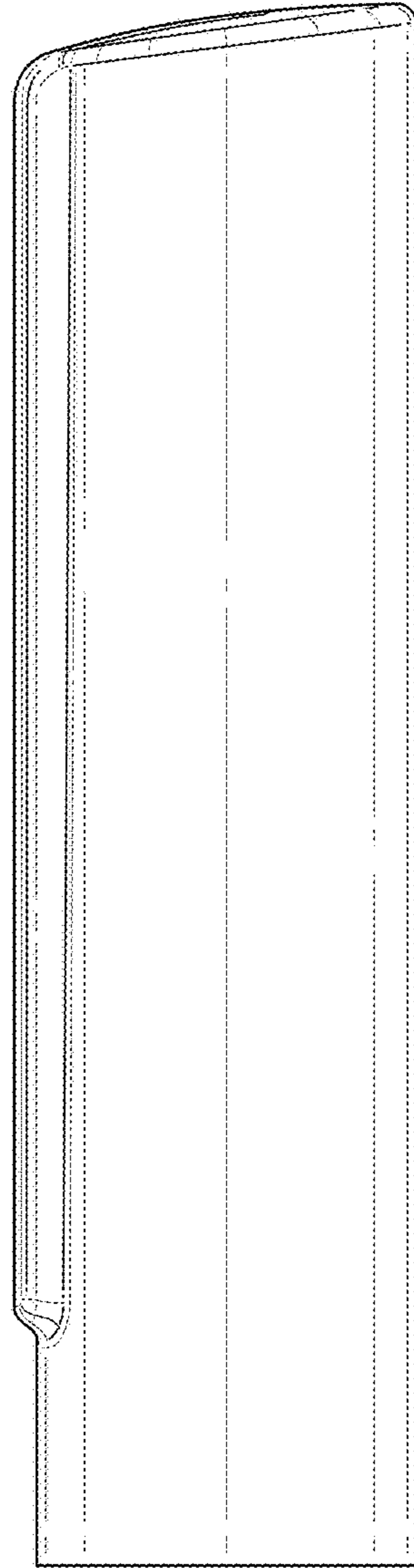
**FIG. 2**



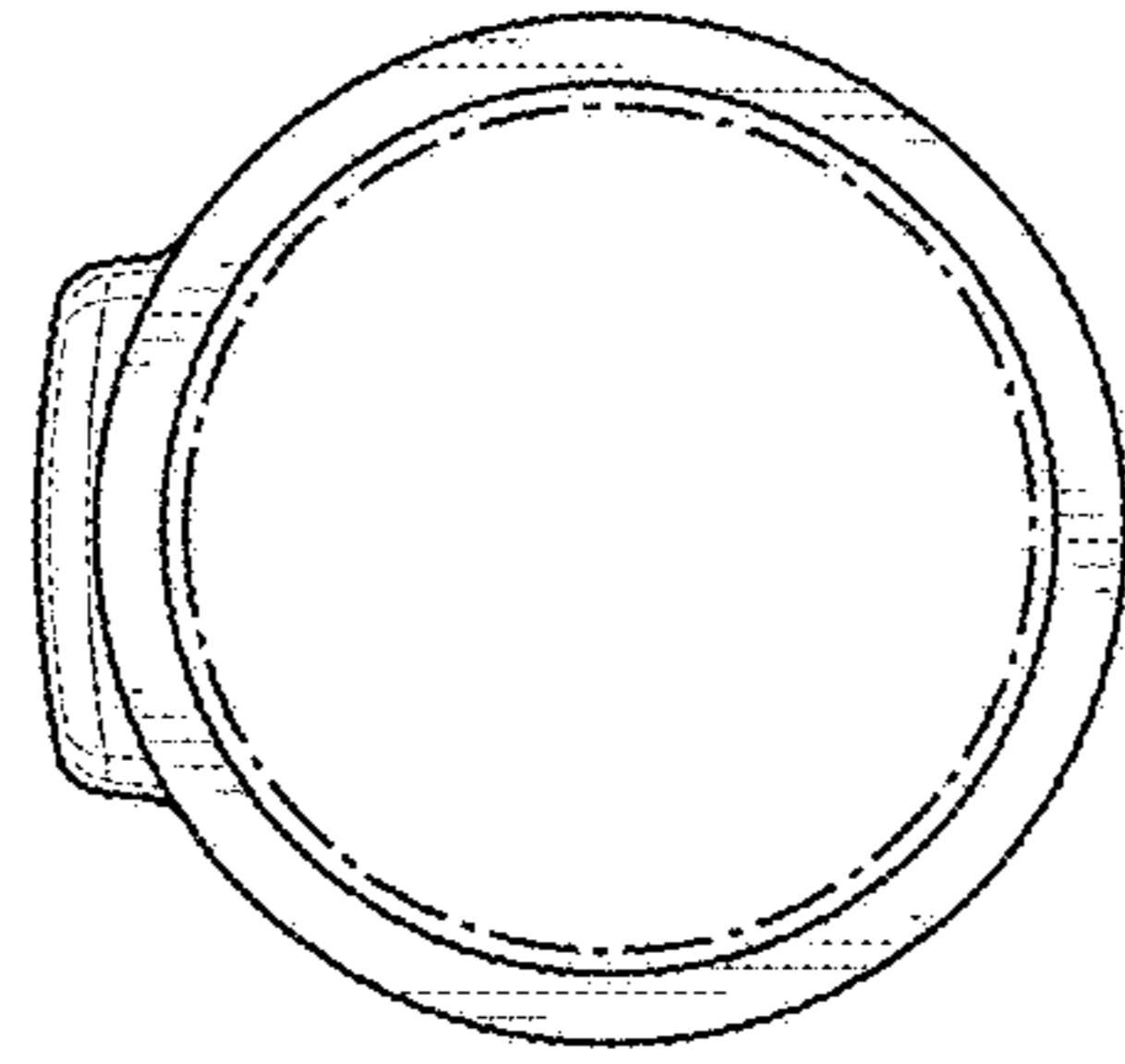
**FIG. 3**



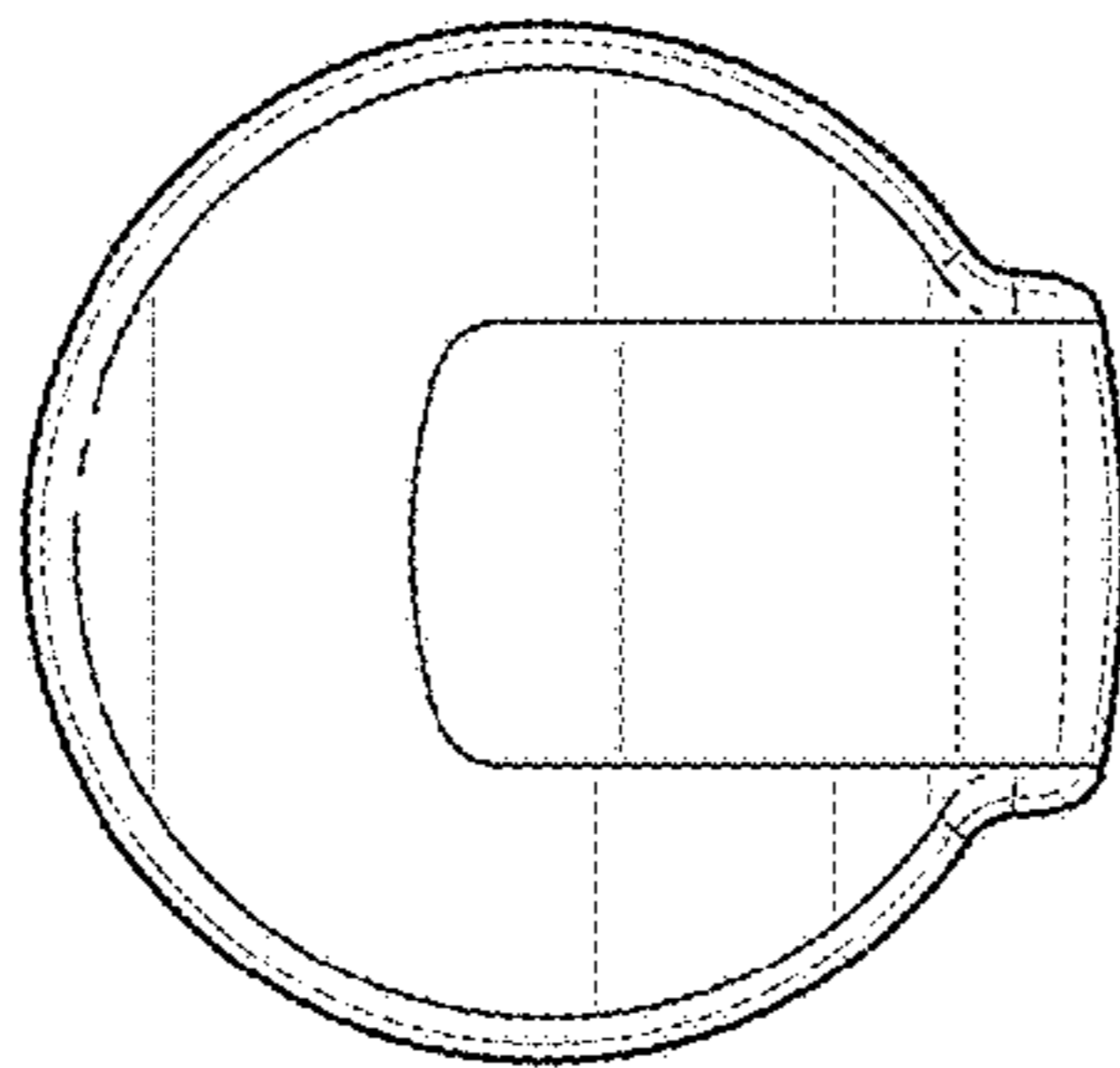
**FIG. 4**



**FIG. 5**

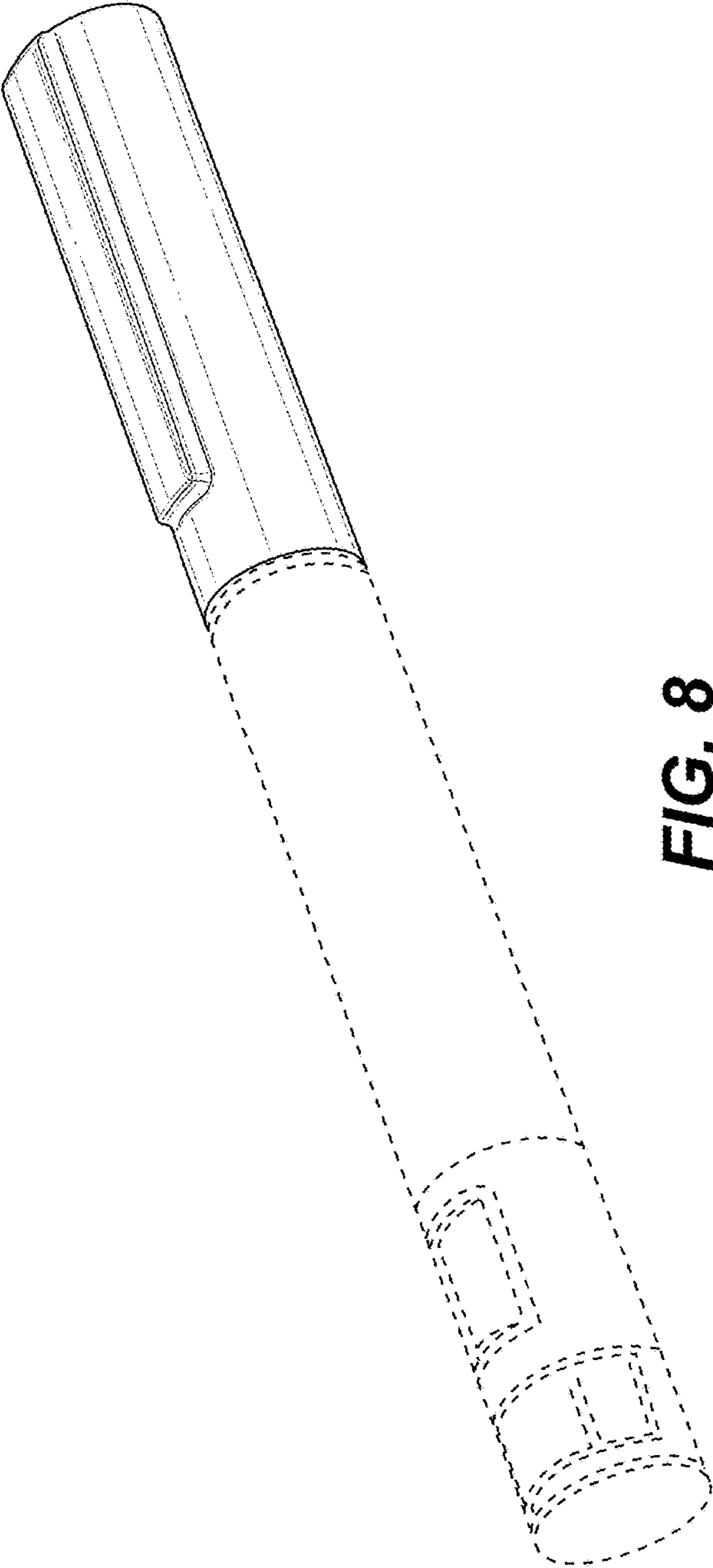


**FIG. 7**



**FIG. 6**





**FIG. 8**