



US00D868891S

(12) **United States Design Patent**
Long et al.

(10) **Patent No.:** **US D868,891 S**

(45) **Date of Patent:** **** Dec. 3, 2019**

- (54) **MECHANICAL PENCIL**
- (71) Applicant: **Debbie Lynn, Inc.**, Monkton, MD (US)
- (72) Inventors: **Kenneth Long**, Parkton, MD (US);
Keegan McGovern, Baltimore, MD (US)
- (73) Assignee: **Little Falls, Inc.**, Parkton, MD (US)
- (**) Term: **15 Years**
- (21) Appl. No.: **29/637,003**
- (22) Filed: **Feb. 13, 2018**
- (51) **LOC (12) Cl.** **19-06**
- (52) **U.S. Cl.**
USPC **D19/177; D19/917; D19/927**
- (58) **Field of Classification Search**
USPC D19/115-204; D14/411
CPC . B43K 5/005; B43K 7/12; B43K 8/04; B43K
8/06; B43K 19/00; B43K 19/02; B43K
19/14; B43K 21/006; B43K 21/06
See application file for complete search history.

- 4,601,598 A * 7/1986 Schwartz B43K 23/004
24/530
- D327,911 S * 7/1992 Poisson D19/168
- 6,547,465 B1 * 4/2003 Rago B43K 29/02
15/428
- D474,239 S * 5/2003 Rosenbaum D19/121
- 6,732,407 B2 * 5/2004 Weiss B43K 29/02
15/424
- D501,879 S * 2/2005 Martin D19/123
- D541,859 S * 5/2007 Stollery D19/190
- D557,741 S * 12/2007 Lecce D19/174
- D668,292 S * 10/2012 Chen D19/163
- D672,815 S * 12/2012 Li D19/176
- 9,308,772 B2 * 4/2016 Anderson B43L 19/0075
- D760,839 S * 7/2016 Lee D19/168

* cited by examiner

Primary Examiner — Elizabeth A. Albert

(74) *Attorney, Agent, or Firm* — Massina Pat & TM Law PLLC

(57) **CLAIM**

The ornamental design for a mechanical pencil, as shown and described.

DESCRIPTION

FIG. 1 is a top, right isometric view of a mechanical pencil according to the present invention.

FIG. 2 is a top, left isometric view of the mechanical pencil shown in FIG. 1.

FIG. 3 is a top plan view of the mechanical pencil shown in FIG. 1.

FIG. 4 is a bottom plan view of the mechanical pencil shown in FIG. 1.

FIG. 5 is a right side view of the mechanical pencil shown in FIG. 1; and,

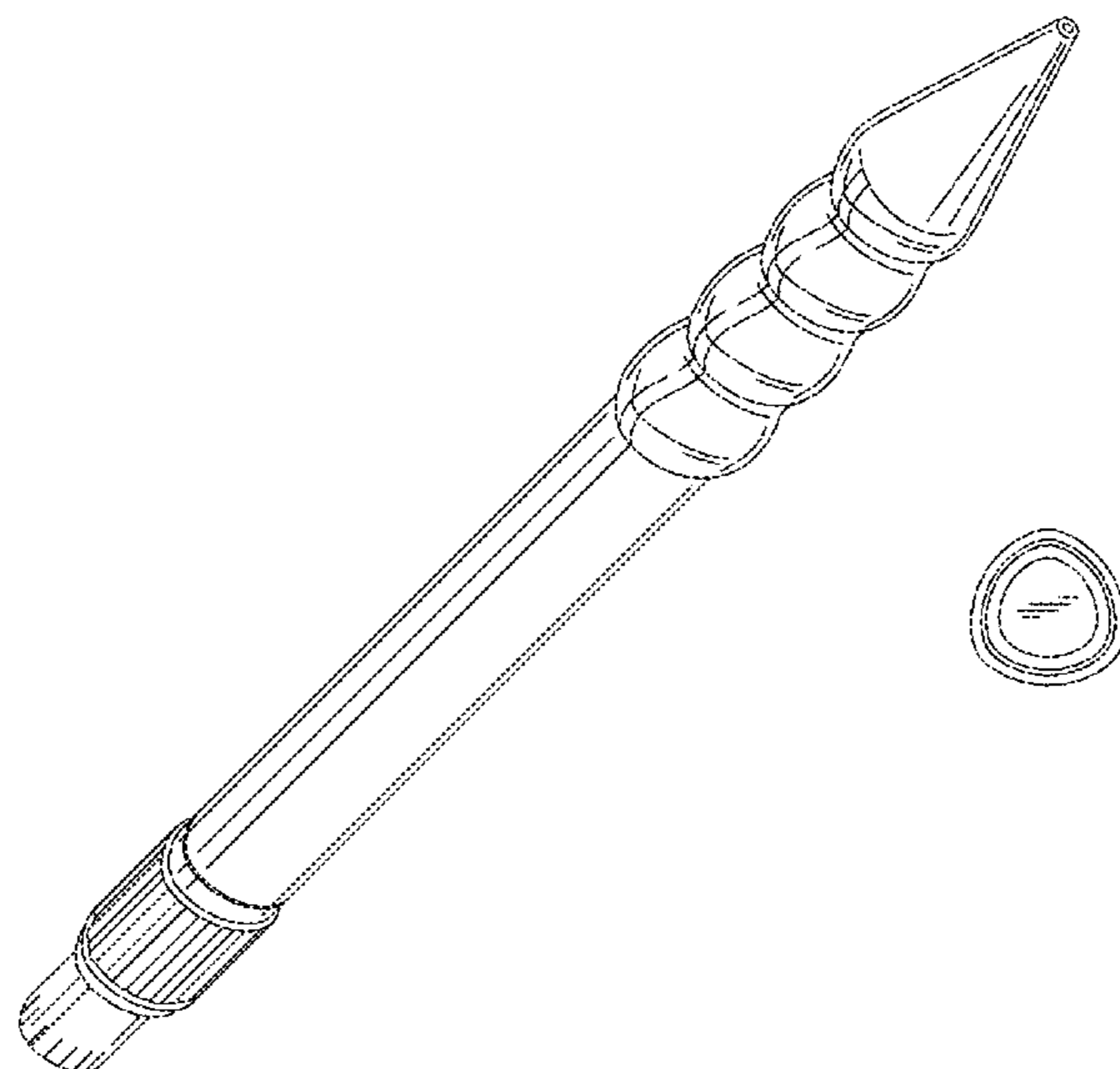
FIG. 6 is a left side view of the mechanical pencil shown in FIG. 1.

1 Claim, 3 Drawing Sheets

(56) **References Cited**

U.S. PATENT DOCUMENTS

- 144,337 A * 11/1873 Illfelder B43K 29/02
15/431
- 1,942,283 A * 1/1934 Hale B43K 29/02
15/105.51
- 2,103,417 A * 12/1937 Haack B43K 21/06
15/429
- 2,173,279 A * 9/1939 Kraemer B43K 21/06
401/84
- D155,429 S * 10/1949 Kahn D19/174
- 3,262,425 A * 7/1966 Waugh B43K 29/02
15/431



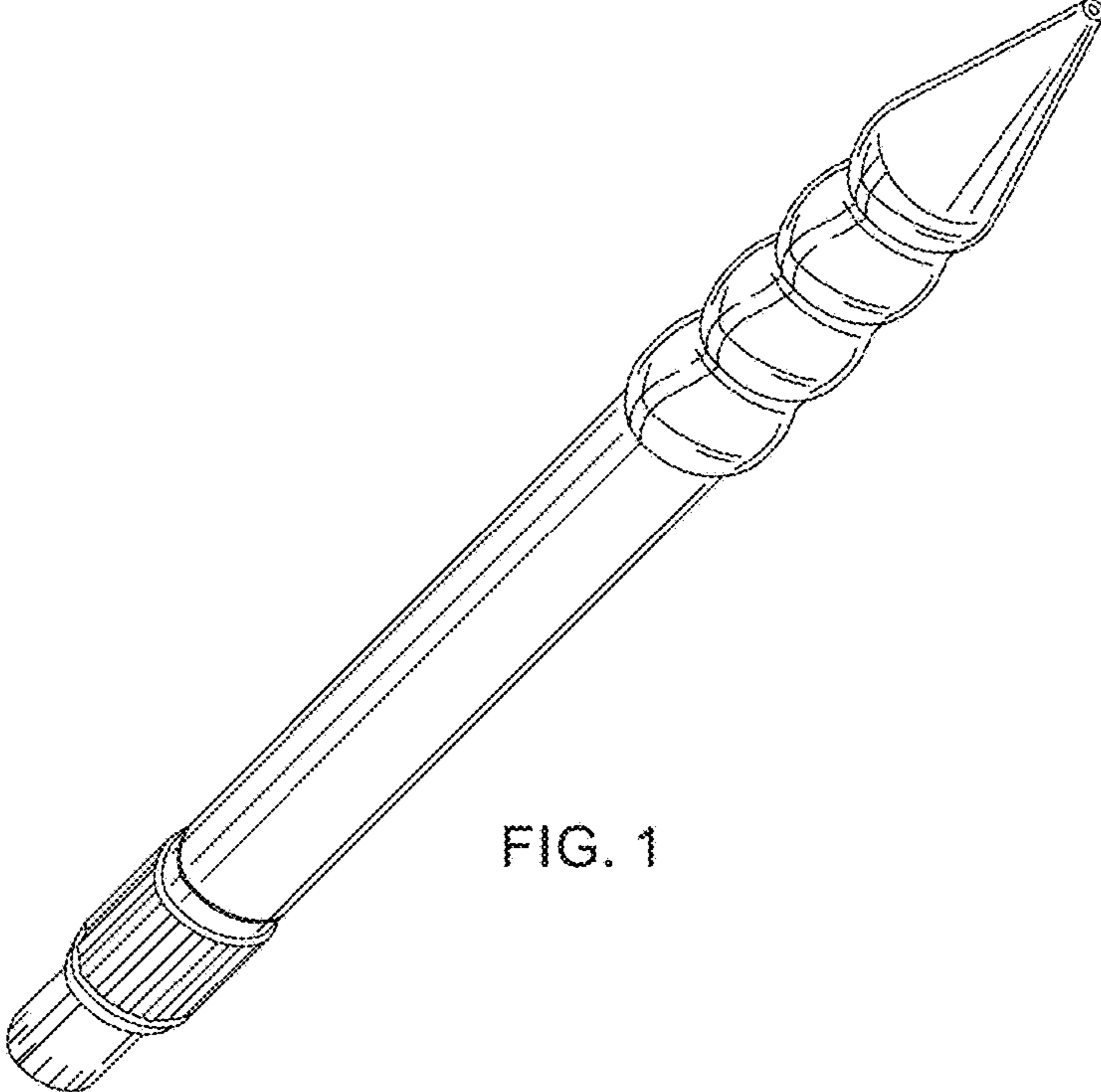


FIG. 1

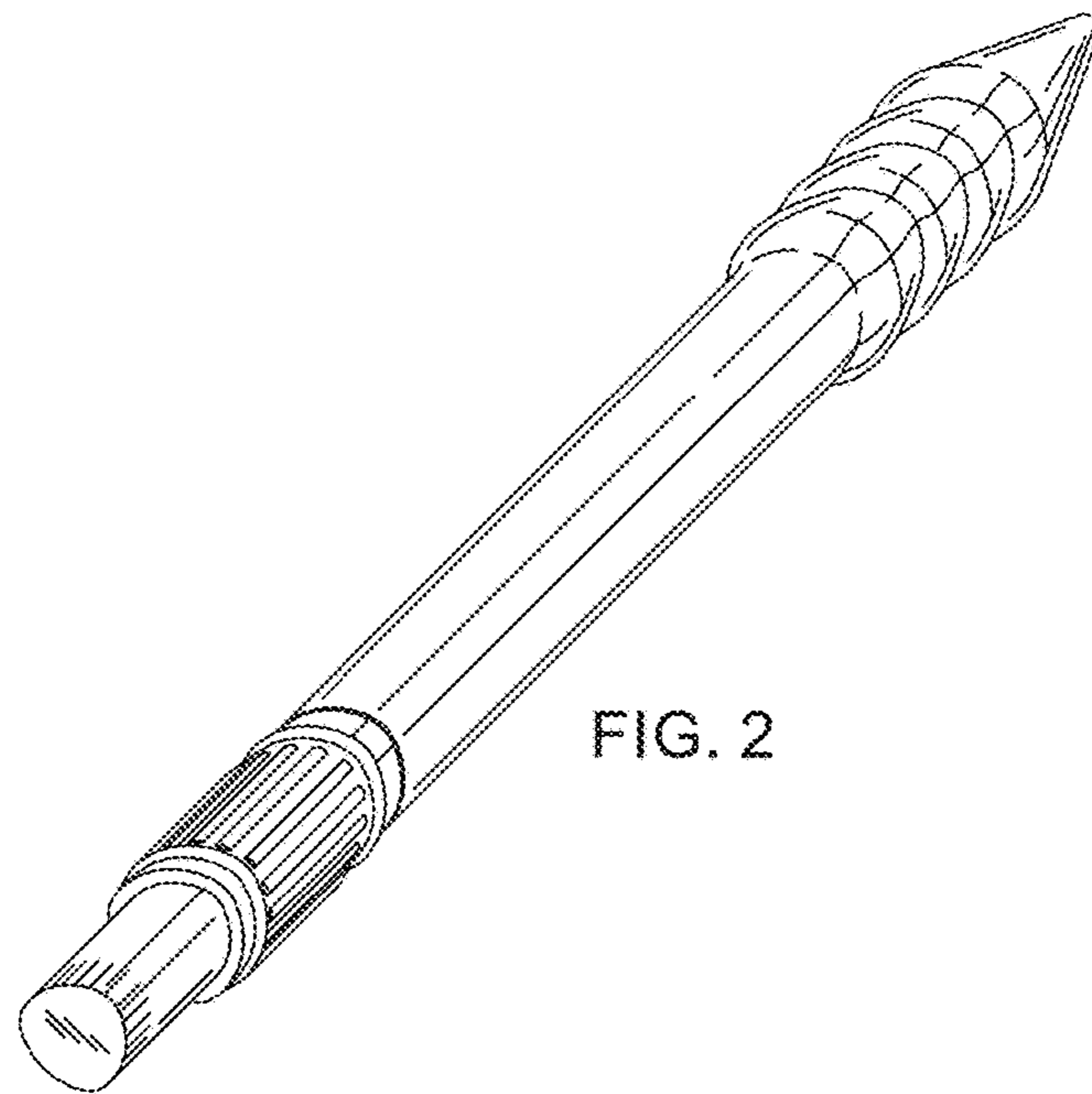


FIG. 2

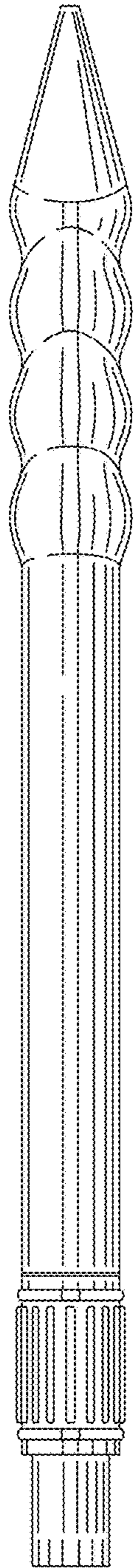


FIG. 3

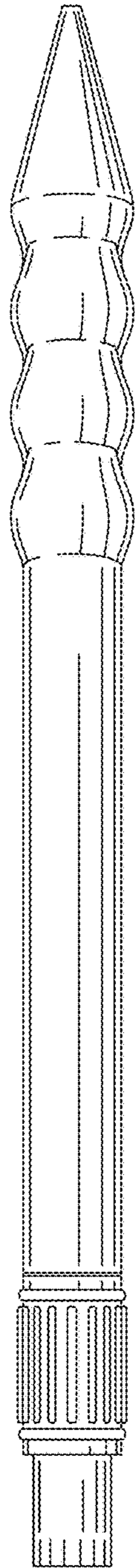


FIG. 4

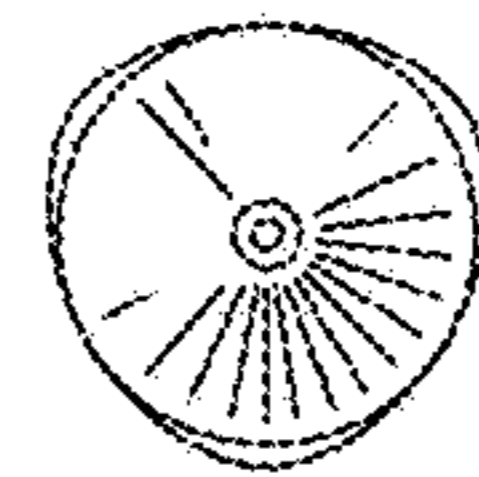


FIG. 5

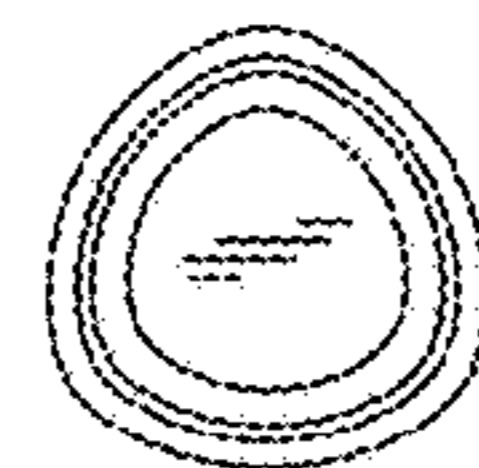


FIG. 6