



US00D868889S

(12) **United States Design Patent** (10) **Patent No.:** **US D868,889 S**
Costas (45) **Date of Patent:** **** Dec. 3, 2019**

(54) **DRY ERASE BOARD WITH NOTE HOLDER**

(71) Applicant: **Trophius Pty Ltd.**, Cremorne (AU)

(72) Inventor: **Eric Costas**, Cremorne (AU)

(73) Assignee: **Trophius Pty Ltd.**, Cremorne (AU)

(**) Term: **15 Years**

(21) Appl. No.: **29/584,481**

(22) Filed: **Nov. 15, 2016**

(51) **LOC (12) Cl.** **19-06**

(52) **U.S. Cl.**
USPC **D19/113**

(58) **Field of Classification Search**
USPC D19/62, 65, 88, 91, 113, 115; D20/10,
D20/27, 39, 43, 44
CPC ... B42D 5/005; B43L 5/02; B42F 9/00; B42F
9/001
See application file for complete search history.

D586,396 S 2/2009 Kang
D589,089 S 3/2009 Loerakker et al.
D589,560 S 3/2009 Beno et al.
D593,156 S * 5/2009 Vasconcelos D19/113
D594,062 S * 6/2009 Loerakker D19/113
D607,058 S 12/2009 Kim
D617,565 S 6/2010 Mischel, Jr.
D623,227 S 9/2010 Hoch et al.
D623,693 S 9/2010 Hoch et al.
D629,043 S * 12/2010 Beno D19/113

(Continued)

FOREIGN PATENT DOCUMENTS

AU 346443 1/2013
AU 346543 1/2013

Primary Examiner — Derrick E Holland

Assistant Examiner — Andrew Kerr

(74) *Attorney, Agent, or Firm* — Banner & Witcoff, Ltd.

(57) **CLAIM**

The ornamental design for a dry erase board with note holder, as shown and described.

(56) **References Cited**

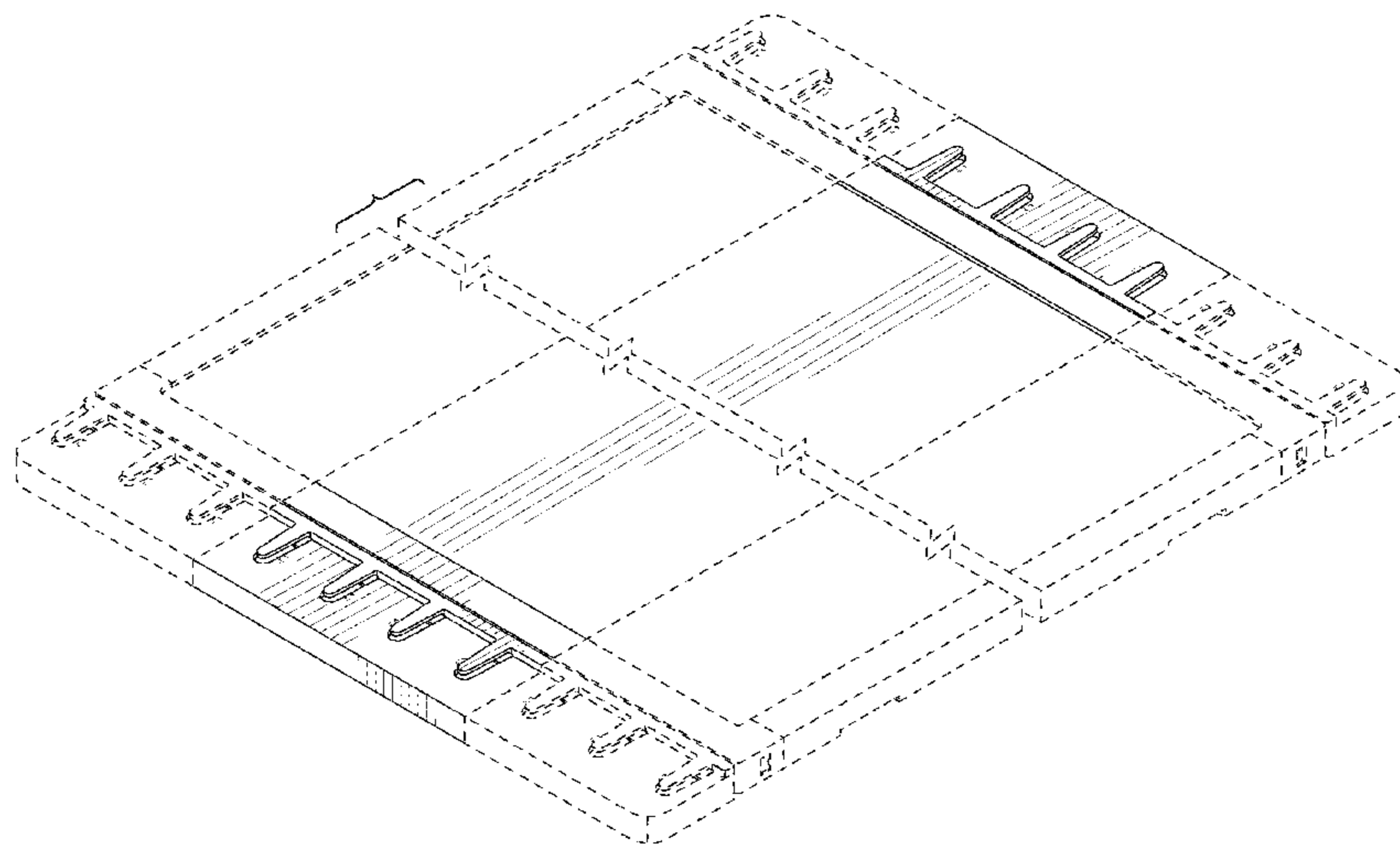
U.S. PATENT DOCUMENTS

3,363,341 A * 1/1968 Glassman B43L 1/06
211/90.01
D244,017 S * 4/1977 Bott D12/193
D251,124 S 2/1979 Takeuchi
D327,095 S 6/1992 Meyer
5,176,522 A 1/1993 Robertson, Jr.
5,397,091 A * 3/1995 Tsuar B43L 1/04
16/374
D413,146 S * 8/1999 Moore D19/113
D435,593 S * 12/2000 Hellwig D19/113
D451,134 S 11/2001 Fonfeder
D487,289 S 3/2004 Richter
D496,068 S * 9/2004 Mandel D19/113
D507,302 S 7/2005 Chen et al.
D507,812 S 7/2005 Cesaroni et al.
D521,068 S 5/2006 Newbould
7,040,051 B2 5/2006 Windorski

DESCRIPTION

FIG. 1 is a front perspective view of a dry erase board with note holder showing my new design;
FIG. 2 is a front view thereof;
FIG. 3 is a bottom view thereof;
FIG. 4 is a top view thereof;
FIG. 5 is a right side view thereof; and,
FIG. 6 is a left side view thereof.
The broken lines immediately adjacent to the shaded areas of the dry erase board with note holder define the bounds of the claimed design and form no part thereof. All other broken lines represent environmental structure and forms no part of the claimed design. The broken away middle portion of FIGS. 1-6 indicate indeterminate length. The broken away portion forms no part of the claimed design.

1 Claim, 4 Drawing Sheets



(56)

References Cited

U.S. PATENT DOCUMENTS

7,874,842 B2 * 1/2011 Beno A63F 9/0641
434/408
D645,515 S 9/2011 Williams, Sr.
D667,413 S 9/2012 Song
D669,532 S * 10/2012 Killian D19/113
D669,533 S * 10/2012 Okabe D19/113
D672,817 S * 12/2012 Butmir D19/113
D683,403 S * 5/2013 Vasconcelos D19/113
D690,361 S * 9/2013 Kang D19/113
D705,356 S * 5/2014 Kang D19/113
D715,859 S 10/2014 Costas
D715,860 S 10/2014 Costas
D715,861 S 10/2014 Costas
D716,377 S 10/2014 Costas
D719,217 S 12/2014 Costas
D719,218 S 12/2014 Costas
9,090,116 B2 7/2015 Tunis et al.
D747,412 S * 1/2016 Sachs D19/113
D752,145 S * 3/2016 Killian D19/113
D753,222 S 4/2016 Costas
D755,892 S 5/2016 Costas

D776,759 S * 1/2017 Costas D19/86
D778,356 S * 2/2017 Costas D19/86
D785,706 S * 5/2017 Hoch D19/113
D787,593 S * 5/2017 Robins D19/113
D794,121 S * 8/2017 Costas D19/86
D794,122 S * 8/2017 Costas D19/86
D794,123 S * 8/2017 Costas D19/86
D794,124 S * 8/2017 Costas D19/86
D794,125 S * 8/2017 Costas D19/86
D809,599 S 2/2018 Costas
D809,600 S * 2/2018 Anderson D19/113
D811,478 S 2/2018 Costas
D818,357 S 5/2018 Cummings
D836,720 S * 12/2018 Kang D19/113
2005/0191611 A1 * 9/2005 Owen A47B 97/001
434/408
2006/0183101 A1 * 8/2006 Williams B43L 1/06
434/408
2012/0206344 A1 * 8/2012 Hill G06F 3/03545
345/157
2012/0250936 A1 * 10/2012 Holmgren G06F 3/042
382/103
2013/0200228 A1 8/2013 Costas

* cited by examiner

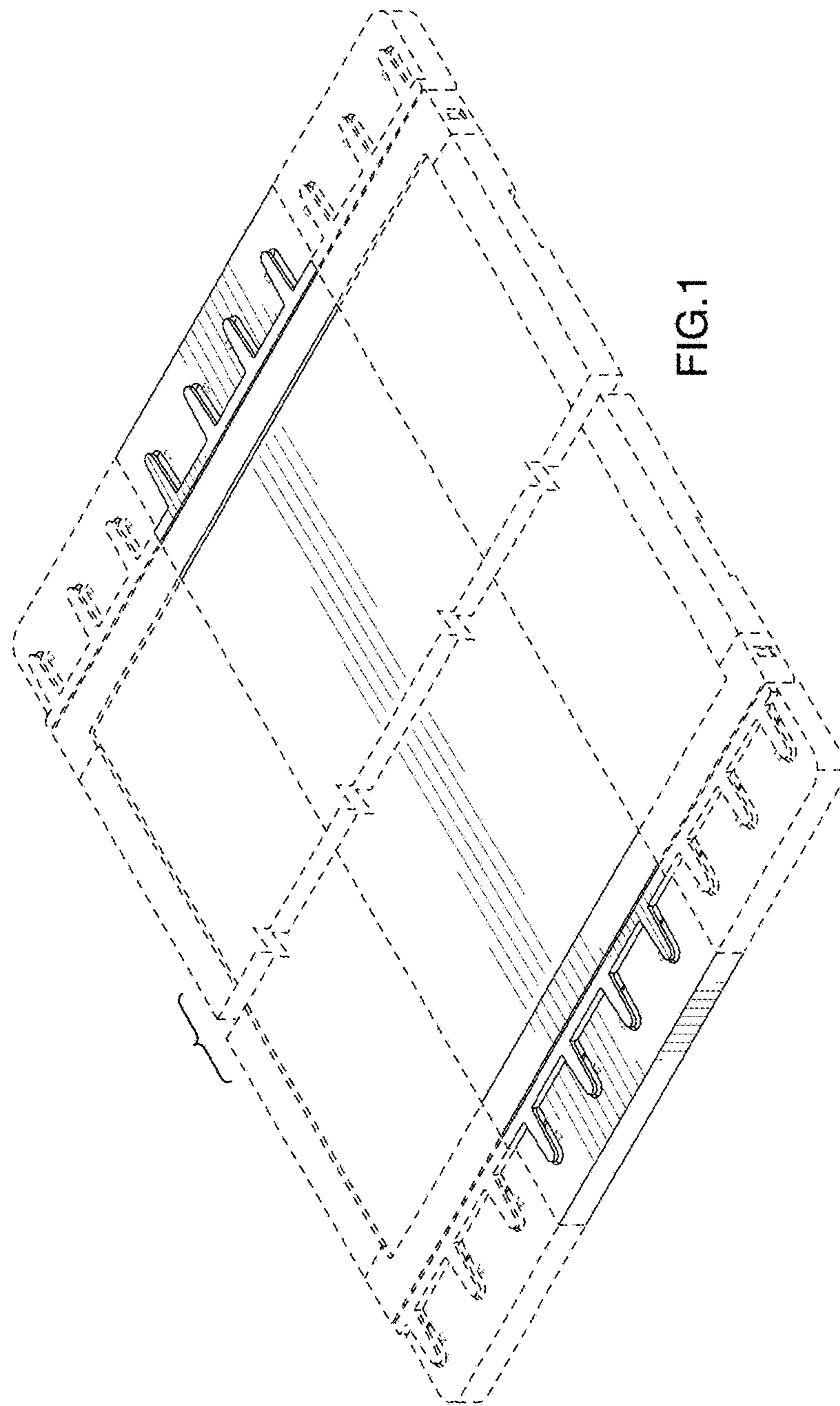


FIG. 1

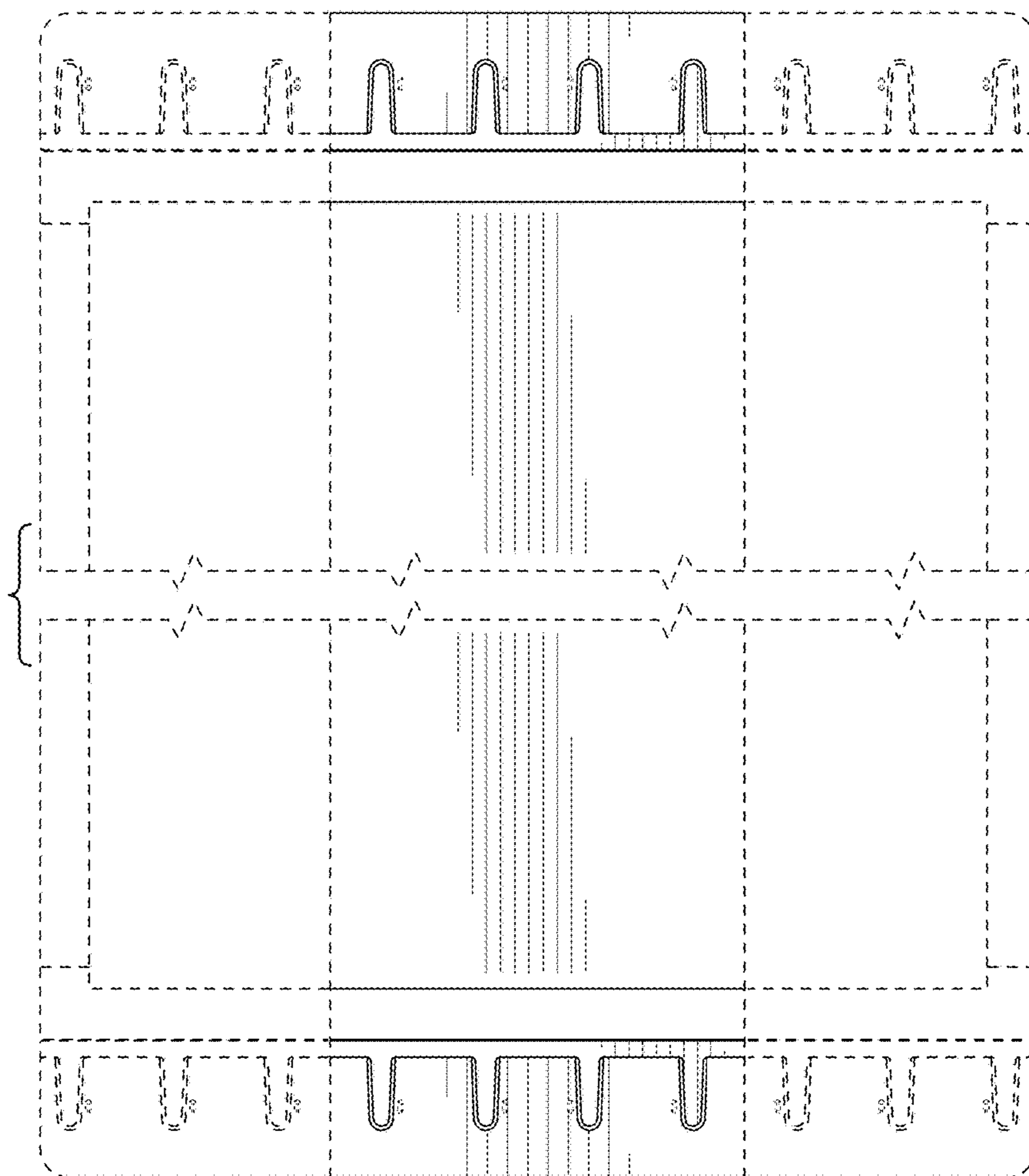


FIG. 2



FIG. 3



FIG. 4

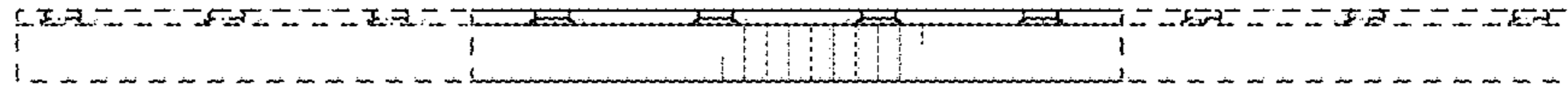


FIG. 6

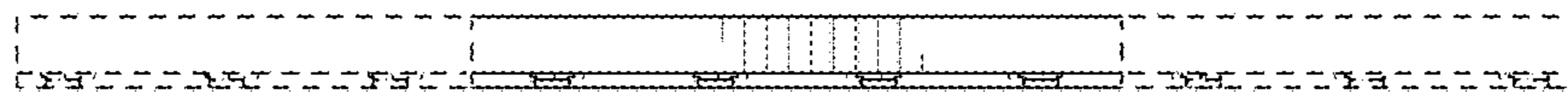


FIG. 5