



US00D86888S

(12) **United States Design Patent** (10) **Patent No.:** **US D868,888 S**
Lohri (45) **Date of Patent:** **** Dec. 3, 2019**

(54) **TRANSACTION CARD**

(71) Applicant: **FINE SWISS METALS AG**, Kriens (CH)

(72) Inventor: **Walter Lohri**, Kriens (CH)

(73) Assignee: **Fine Swiss Metals AG**, Kriens (CH)

(**) Term: **15 Years**

(21) Appl. No.: **35/502,512**

(22) Filed: **Sep. 2, 2016**

(80) **Hague Agreement Data**

Int. Filing Date: **Sep. 2, 2016**

Int. Reg. No.: **DM/093578**

Int. Reg. Date: **Sep. 2, 2016**

Int. Reg. Pub. Date: **Mar. 3, 2017**

(30) **Foreign Application Priority Data**

Mar. 3, 2016 (DE) 40 2016 100 246

Aug. 5, 2016 (EM) 003332832

(51) **LOC (12) Cl.** **19-08**

(52) **U.S. Cl.**
USPC **D19/9**

(58) **Field of Classification Search**

USPC D14/435, 436; D19/1, 2, 5, 6, 9, 10, 11, D19/12

CPC B42D 25/21; B42D 25/22; B42D 25/23; B42D 25/342; B42D 25/346; B42D 25/355; B42D 2033/00; B42D 2033/04; B42D 2033/06; B42D 2033/08; B42D 2033/10; B42D 2033/14; B42D 2033/16; B42D 2033/20; B42D 2033/24; B42D 2033/30; B42D 2035/16; B42D 2035/20; B42D 2035/26; B42D 2035/30; G06K 19/06196; G06K 19/042

See application file for complete search history.

(56) **References Cited**

U.S. PATENT DOCUMENTS

2,088,567 A * 8/1937 Ballou B42D 15/0006
101/369

2,128,793 A * 8/1938 Bondy Bey B41L 47/06
40/649

2,410,845 A * 11/1946 Snell G07F 1/06
194/212

3,287,839 A * 11/1966 Rotwein G06Q 20/347
101/369

3,312,197 A 4/1967 Smith

D222,516 S * 10/1971 Kelson D10/81

3,668,795 A * 6/1972 Barker G06K 19/16
101/369

D233,068 S * 10/1974 Bringas D19/1

4,466,534 A 8/1984 Dunn

4,612,436 A * 9/1986 Okada G06K 7/0021
235/449

4,667,087 A * 5/1987 Quintana G07F 7/1008
235/379

4,778,982 A * 10/1988 Beech G06K 7/0021
235/375

4,812,633 A * 3/1989 Vogelgesang G06K 19/04
235/487

4,931,629 A 6/1990 Frankfurt

4,968,873 A * 11/1990 Dethloff G06K 7/006
235/375

4,999,617 A * 3/1991 Uemura G06K 7/1093
235/462.21

5,145,538 A 9/1992 Yamaguchi

5,359,183 A * 10/1994 Skodlar G06K 19/06046
235/380

D368,276 S * 3/1996 Buzby D19/2

5,530,235 A * 6/1996 Stefik G06F 21/10
235/380

5,734,154 A * 3/1998 Jachimowicz G06K 19/077
235/454

5,789,733 A * 8/1998 Jachimowicz G06K 7/1097
235/380

5,844,230 A * 12/1998 Lalonde G06K 19/06187
235/449

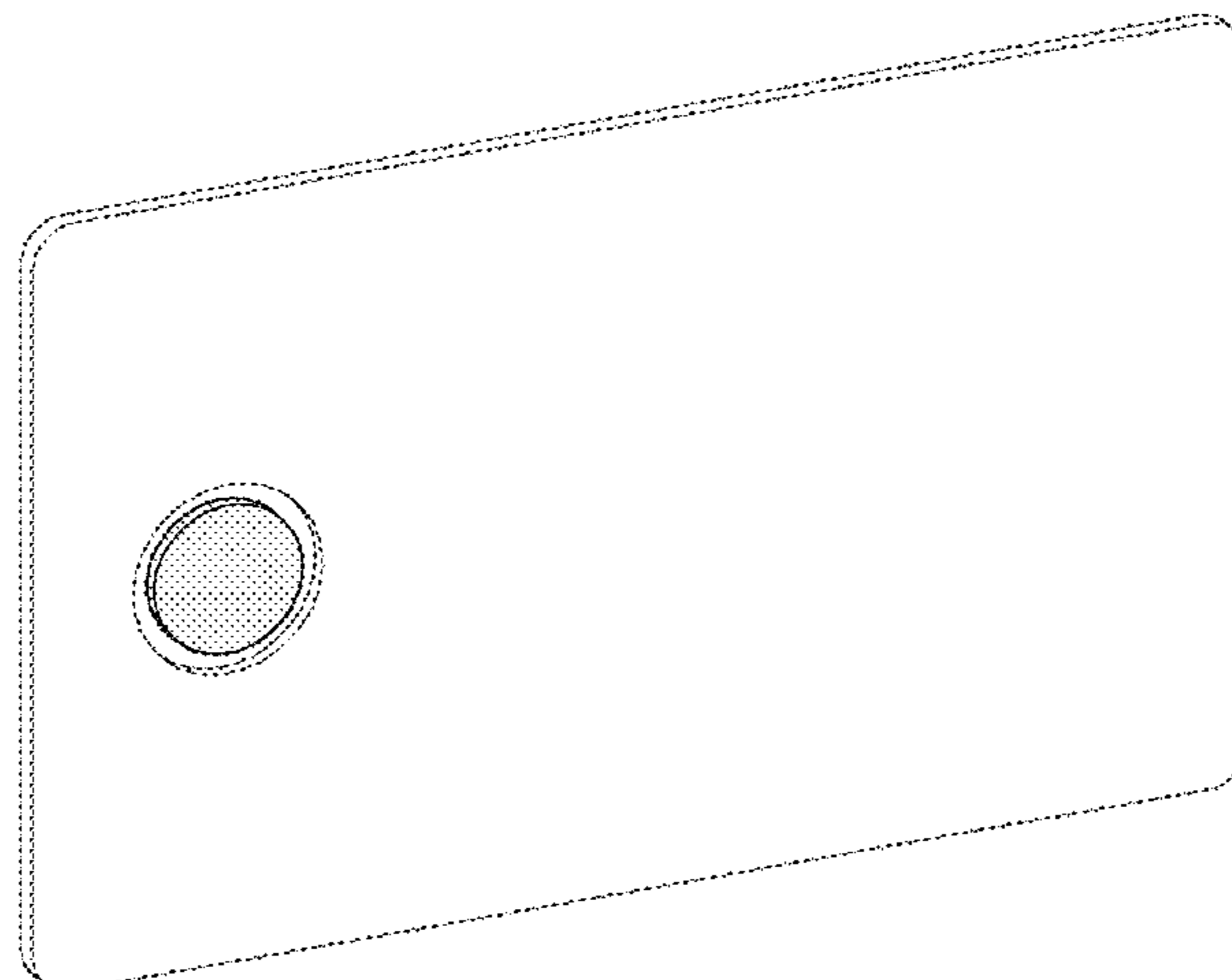
6,003,770 A * 12/1999 Schilling G06K 17/0022
235/375

6,006,456 A 12/1999 Hiromachi et al.

6,019,284 A * 2/2000 Freeman G02F 1/13452
235/375

6,036,099 A * 3/2000 Leighton B32B 37/185
156/154

6,076,675 A 6/2000 Pawlowski



US D868,888 S

Page 2

D429,733 S *	8/2000	Jones	D14/479	2007/0251999 A1*	11/2007	Bohlke, III	G06K 19/044
6,128,840 A	10/2000	Boisvert					235/380
D436,991 S *	1/2001	Morgante	D19/10	2010/0012731 A1	1/2010	Droz	
6,482,495 B1	11/2002	Kohama et al.		2011/0169208 A1*	7/2011	Almeda	A47J 47/005
6,514,367 B1 *	2/2003	Leighton	B32B 37/185				269/289 R
			156/153	2012/0067746 A1	3/2012	Gremaud et al.	
6,631,849 B2 *	10/2003	Blossom	G06K 19/06187	2013/0247432 A1	9/2013	Droz	
			235/380	2017/0124445 A1*	5/2017	Howard	G06F 1/26
6,635,143 B2	10/2003	Zurawski et al.					
6,832,730 B2 *	12/2004	Conner	G06K 19/044				
			235/487				
6,926,794 B2	8/2005	Kohama et al.					
6,991,155 B2 *	1/2006	Burchette, Jr.	G06Q 20/341				
			235/379				
7,036,739 B1 *	5/2006	Mann	G06K 19/06196				
			235/487				
7,080,783 B2 *	7/2006	Dilday	G06K 19/04				
			235/454				
D534,913 S *	1/2007	Wilcox	D14/435				
7,213,749 B2 *	5/2007	Webb	G06K 19/044				
			206/308.1				
D582,977 S *	12/2008	Field	D19/10				
7,487,908 B1 *	2/2009	Cook, Jr.	G06K 19/06196				
			235/375				
7,728,931 B2 *	6/2010	Hoffmuller	B42D 25/29				
			349/117				
7,793,834 B2 *	9/2010	Hachey	B42D 25/00				
			235/379				
D632,330 S *	2/2011	Qiao	D19/1				
D632,734 S *	2/2011	Qiao	D19/1				
7,986,459 B2 *	7/2011	Kaule	B44F 1/10				
			359/2				
7,988,036 B2 *	8/2011	Cook, Jr.	G06Q 20/105				
			235/375				
8,118,230 B2 *	2/2012	Selg	G07F 7/0866				
			235/487				
8,136,725 B2 *	3/2012	Yamazaki	G06K 19/0704				
			235/380				
8,149,511 B2 *	4/2012	Kaule	B42D 25/328				
			359/619				
8,276,945 B2 *	10/2012	Heim	B42D 25/351				
			283/81				
D680,585 S *	4/2013	Ahmad	D19/10				
8,528,824 B2	9/2013	Droz					
8,534,710 B2 *	9/2013	Hoffmuller	B42D 25/29				
			283/91				
8,613,471 B2 *	12/2013	Heim	B42D 25/29				
			283/72				
8,685,488 B2 *	4/2014	Hoffmuller	B41M 1/04				
			427/7				
8,725,589 B1 *	5/2014	Skelding	G06Q 20/341				
			156/42				
8,771,803 B2 *	7/2014	Dichtl	B29D 11/00365				
			427/256				
8,962,065 B2 *	2/2015	Dalal	B42D 25/21				
			427/7				
8,968,856 B2 *	3/2015	Hoffmuller	B42D 25/29				
			283/82				
9,004,540 B2 *	4/2015	Rahm	B42D 25/29				
			283/114				
9,007,669 B2 *	4/2015	Heim	G03H 1/0244				
			283/86				
9,274,258 B2 *	3/2016	Fuhse	G02B 5/285				
D759,022 S *	6/2016	Beals	D14/436				
9,399,366 B2 *	7/2016	Hoffmuller	B42D 25/342				
D765,177 S *	8/2016	Hewitt	D19/10				
9,430,727 B2 *	8/2016	Mann	G06K 7/084				
D786,355 S *	5/2017	Hendrick	D19/9				
9,697,456 B2 *	7/2017	Gregarek	B42D 25/41				
D797,188 S *	9/2017	Hendrick	D19/9				
D798,385 S *	9/2017	Yoo	D19/10				
2003/0037875 A1	2/2003	Kohama et al.					
2006/0278539 A1	12/2006	Fager					
2007/0047037 A1 *	3/2007	Yoshizawa	G03H 1/0011				
			359/3				
2007/0246933 A1 *	10/2007	Heim	B42D 25/29				
			283/98				

FOREIGN PATENT DOCUMENTS

CN	201020959	Y	2/2008
CN	101473338	A	7/2009
GB	2218044	A	11/1989
JP	H03288698	A	12/1991
JP	04090392	A	3/1992
JP	H4035563	U	3/1992
JP	H0564861	A	3/1993
JP	08034182	A	2/1996
JP	H08108669	A	4/1996
JP	2707068	B2	1/1998
JP	H10129165	A	5/1998
JP	H10166771	A	6/1998
JP	3024838	B2	3/2000
JP	2010501910	A	1/2010
KR	1020100116754	A	11/2010
TW	M274593	U	9/2005

OTHER PUBLICATIONS

English Abstract of CN 101473338, Jul. 1, 2009.
English Abstract of CN 201020959, Feb. 13, 2008.
English Abstract of JP 2707068, Jan. 28, 1998.
English Abstract of JP 3024838, Mar. 27, 2000.
English Abstract of JP 2010501910, Jan. 21, 2010.
English Abstract of JP H03288698, Dec. 18, 1991.
English Abstract of JP 04090392, Mar. 24, 1992.
English Abstract of JP 08034182, Feb. 6, 1996.
English Abstract of JP H10129165, May 19, 1998.
English Abstract of JP H10166771, Jun. 23, 1998.
English Abstract of KR 1020100116754, Nov. 2, 2010.
Japanese Office Action in JP Patent Application No. 2013-063520 dated Feb. 2014.
Machine English translation Japanese Office Action in JP Patent Application No. 2013-063520 dated Feb. 2014.
Taiwan IPO Search Report in Application No. 102110289 dated Jul. 2016.
English Abstract of JPH08108669A, dated Apr. 30, 1996.
English Abstract of JPH0564861A, dated Mar. 19, 1993.

* cited by examiner

Primary Examiner — Elizabeth A. Albert
(74) Attorney, Agent, or Firm — Cahn & Samuels, LLP

(57) CLAIM

The ornamental design for a transaction card, as shown and described.

DESCRIPTION

The patent or application file contains at least one drawing executed in color. Copies of this patent or patent application publication with color drawing(s) will be provided by the Office upon request and payment of the necessary fee.

- 1.-28. Transaction card
- 1.1 : Front
- 1.2 : Back
- 1.3 : Perspective view (front, top, left)
- 1.4 : Perspective view (back, top, right)
- 2.1 : Front

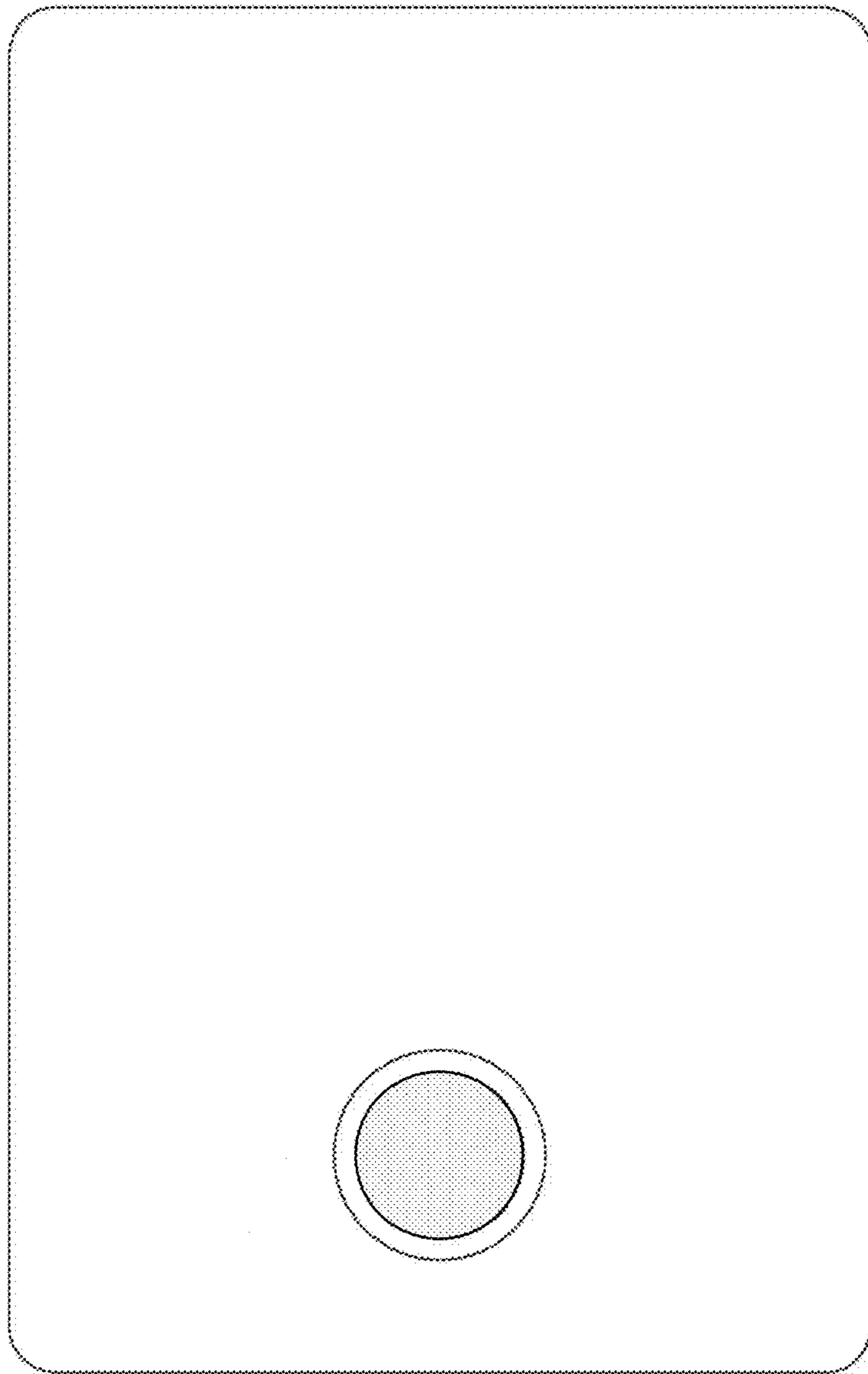
2.2 : Back
 2.3 : Perspective view (front, top, left)
 2.4 : Perspective view (back, top, right)
 3.1 : Front
 3.2 : Back
 3.3 : Perspective view (front, top, left)
 3.4 : Perspective view (back, top, right)
 4.1 : Front
 4.2 : Back
 4.3 : Perspective view (front, top, left)
 4.4 : Perspective view (back, top, right)
 5.1 : Front
 5.2 : Back
 5.3 : Perspective view (front, top, left)
 5.4 : Perspective view (back, top, right)
 6.1 : Front
 6.2 : Back
 6.3 : Perspective view (front, top, left)
 6.4 : Perspective view (back, top, right)
 7.1 : Front
 7.2 : Back
 7.3 : Perspective view (front, top, left)
 7.4 : Perspective view (back, top, right)
 8.1 : Front
 8.2 : Back
 8.3 : Perspective view (front, top, left)
 8.4 : Perspective view (back, top, right)
 9.1 : Front
 9.2 : Back
 9.3 : Perspective view (front, top, left)
 9.4 : Perspective view (back, top, right)
 10.1 : Front
 10.2 : Back
 10.3 : Perspective view (front, top, left)
 10.4 : Perspective view (back, top, right)
 11.1 : Front
 11.2 : Back
 11.3 : Perspective view (front, top, left)
 11.4 : Perspective view (back, top, right)
 12.1 : Front
 12.2 : Back
 12.3 : Perspective view (front, top, left)
 12.4 : Perspective view (back, top, right)
 13.1 : Front
 13.2 : Back
 13.3 : Perspective view (front, top, left)
 13.4 : Perspective view (back, top, right)
 14.1 : Front
 14.2 : Back
 14.3 : Perspective view (front, top, left)
 14.4 : Perspective view (back, top, right)
 15.1 : Front
 15.2 : Back
 15.3 : Perspective view (front, top, left)
 15.4 : Perspective view (back, top, right)
 16.1 : Front
 16.2 : Back
 16.3 : Perspective view (front, top, left)
 16.4 : Perspective view (back, top, right)
 17.1 : Front

17.2 : Back
 17.3 : Perspective view (front, top, left)
 17.4 : Perspective view (back, top, right)
 18.1 : Front
 18.2 : Back
 18.3 : Perspective view (front, top, left)
 18.4 : Perspective view (back, top, right)
 19.1 : Front
 19.2 : Back
 19.3 : Perspective view (front, top, left)
 19.4 : Perspective view (back, top, right)
 20.1 : Front
 20.2 : Back
 20.3 : Perspective view (front, top, left)
 20.4 : Perspective view (back, top, right)
 21.1 : Front
 21.2 : Back
 21.3 : Perspective view (front, top, left)
 21.4 : Perspective view (back, top, right)
 22.1 : Front
 22.2 : Back
 22.3 : Perspective view (front, top, left)
 22.4 : Perspective view (back, top, right)
 23.1 : Front
 23.2 : Back
 23.3 : Perspective view (front, top, left)
 23.4 : Perspective view (back, top, right)
 24.1 : Front
 24.2 : Back
 24.3 : Perspective view (front, top, left)
 24.4 : Perspective view (back, top, right)
 25.1 : Front
 25.2 : Back
 25.3 : Perspective view (front, top, left)
 25.4 : Perspective view (back, top, right)
 26.1 : Front
 26.2 : Back
 26.3 : Perspective view (front, top, left)
 26.4 : Perspective view (back, top, right)
 27.1 : Front
 27.2 : Back
 27.3 : Perspective view (front, top, left)
 27.4 : Perspective view (back, top, right)
 28.1 : Front
 28.2 : Back
 28.3 : Perspective view (front, top, left)
 28.4 : Perspective view (back, top, right)

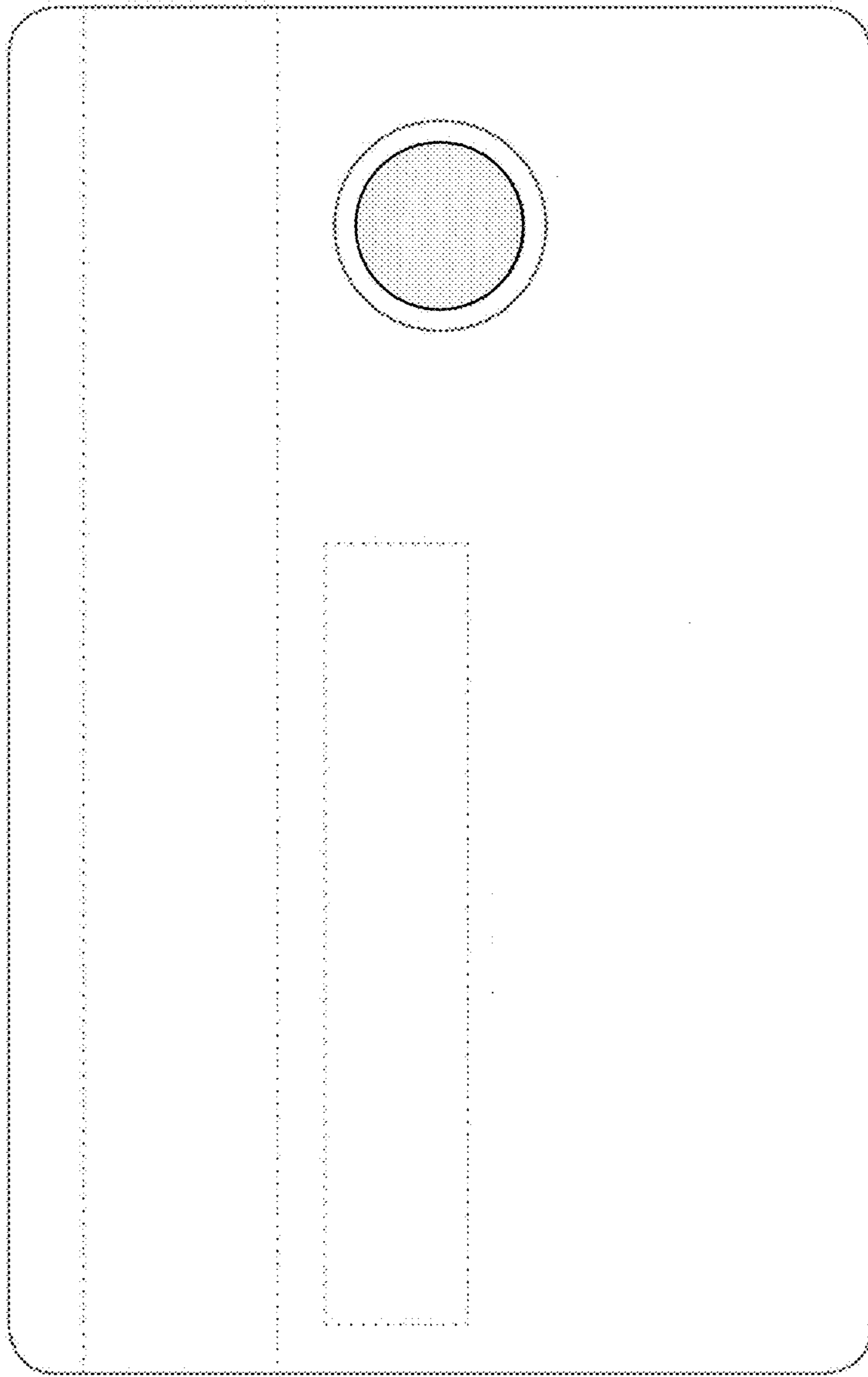
The representations show a card comprising a flattened rectangular, flattened square or flattened circular object inside a transparent window.

The parts shown in broken lines such as numbers, letters, chips, signature fields, and magnetic strips are included to show features that form no part of the claimed design. Separate elevational views of the top, bottom, left and right sides of the card are omitted because they are flat and include no ornamentation. Color forms part of the claimed design as shown in FIGS. 28.1-28.4.

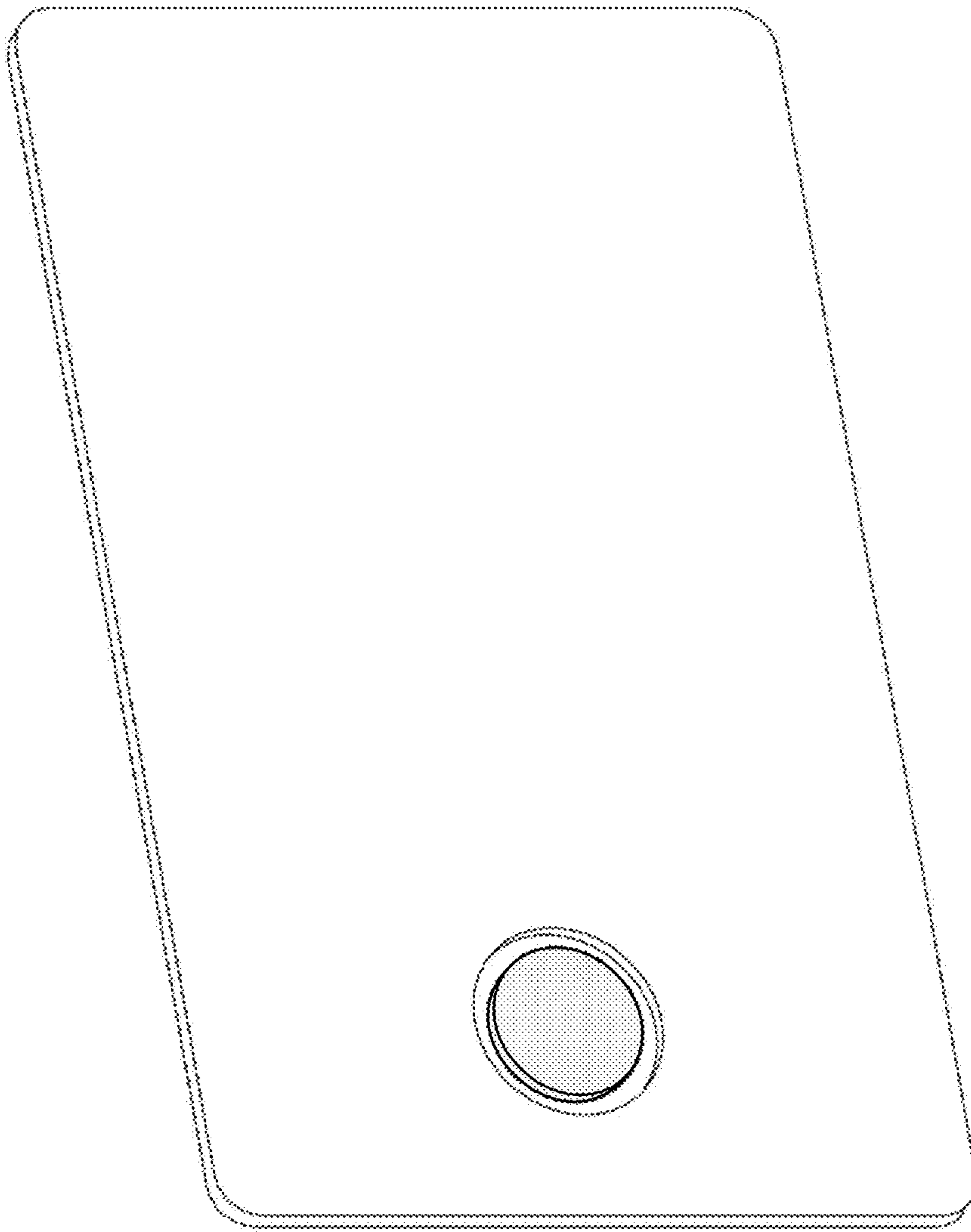
**1 Claim, 112 Drawing Sheets
 (4 of 112 Drawing Sheet(s) Filed in Color)**



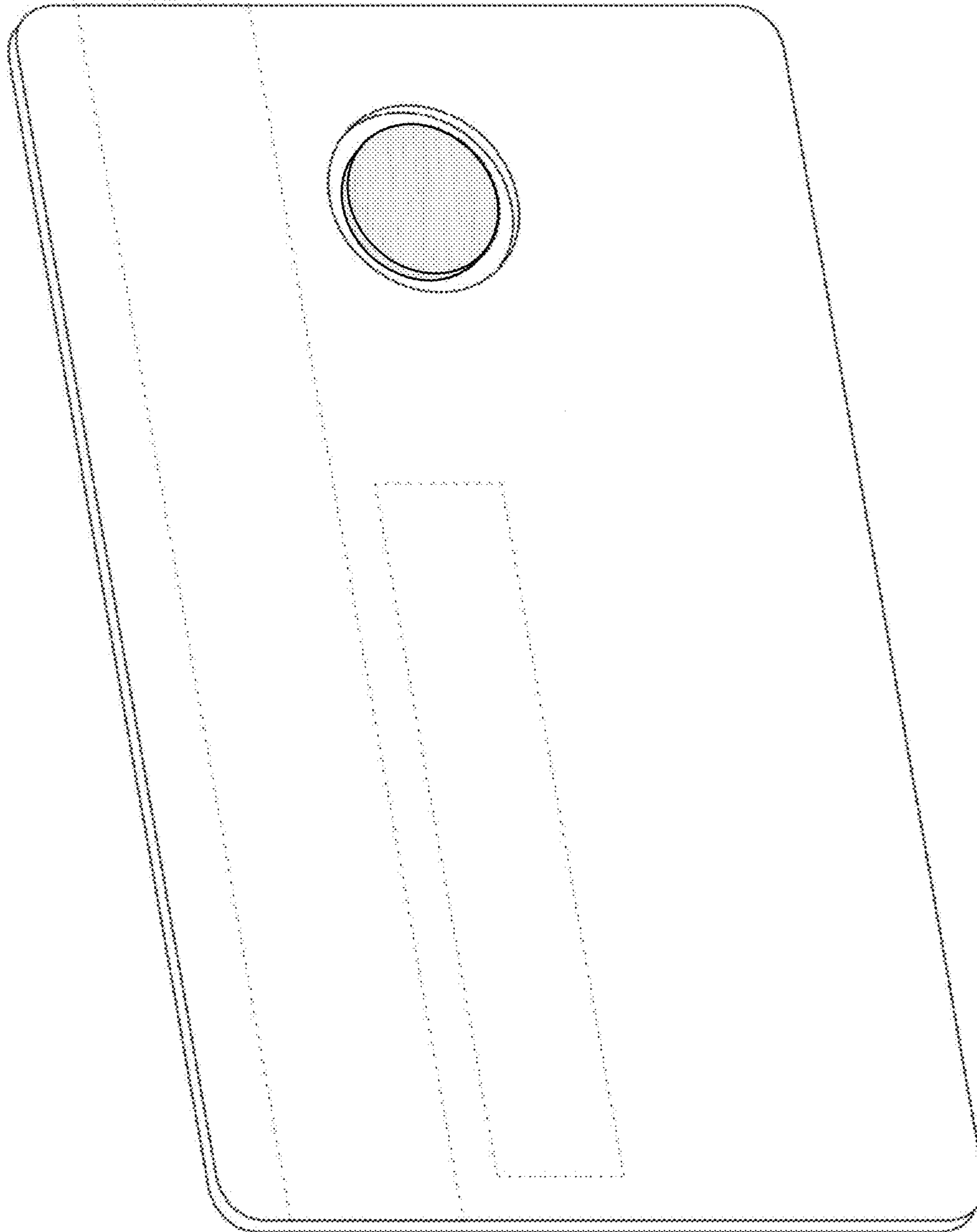
1.1



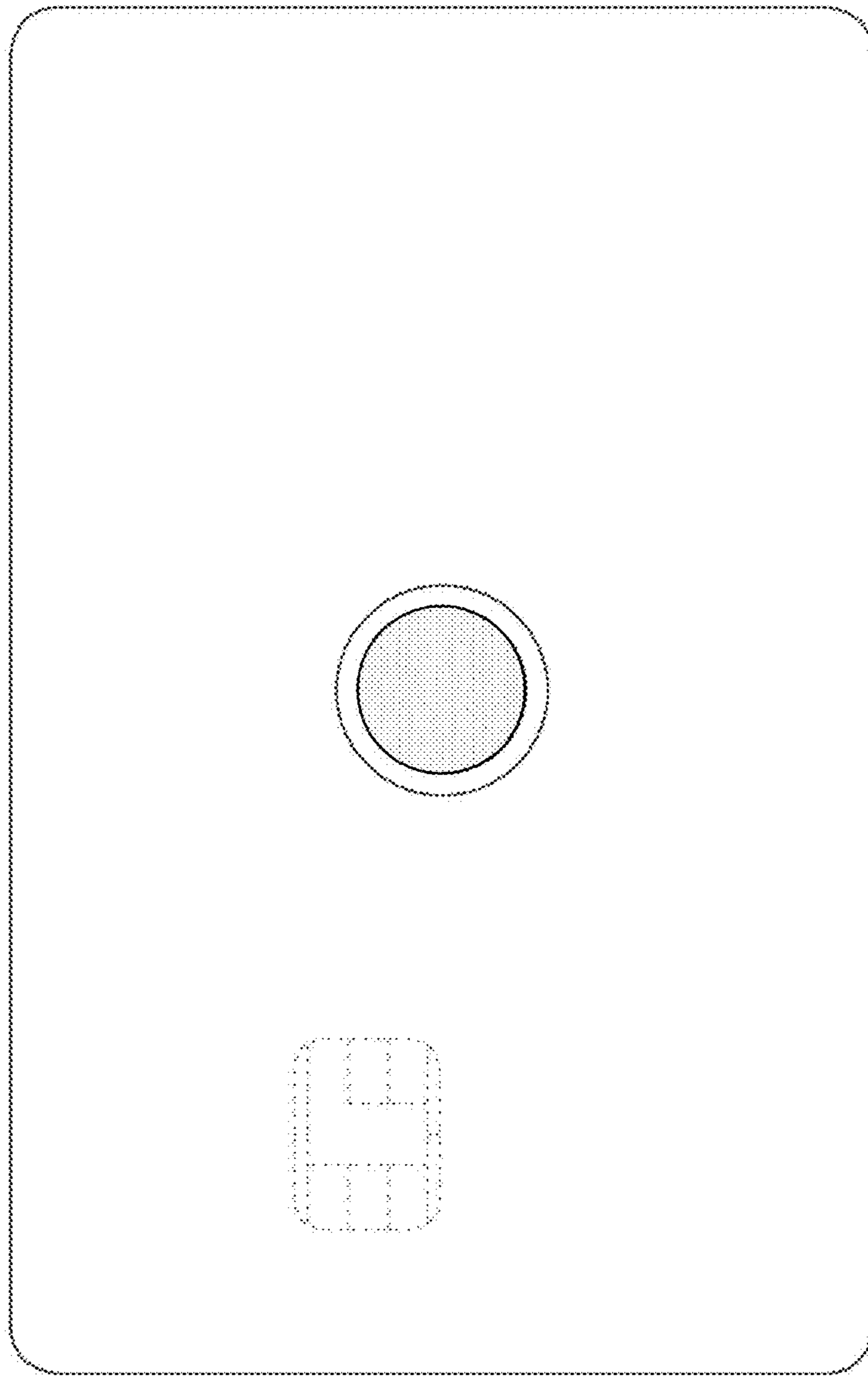
1.2



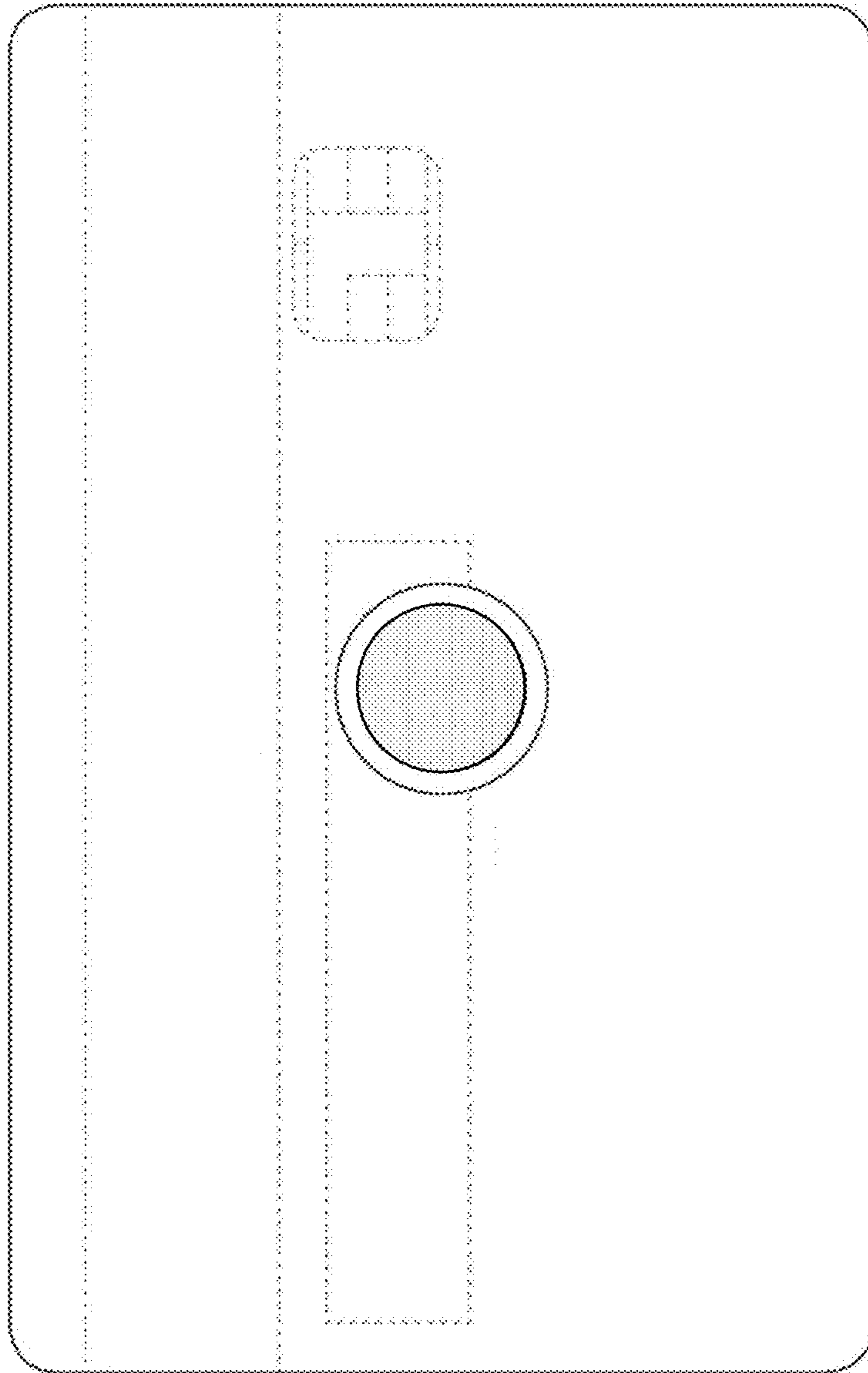
1.3



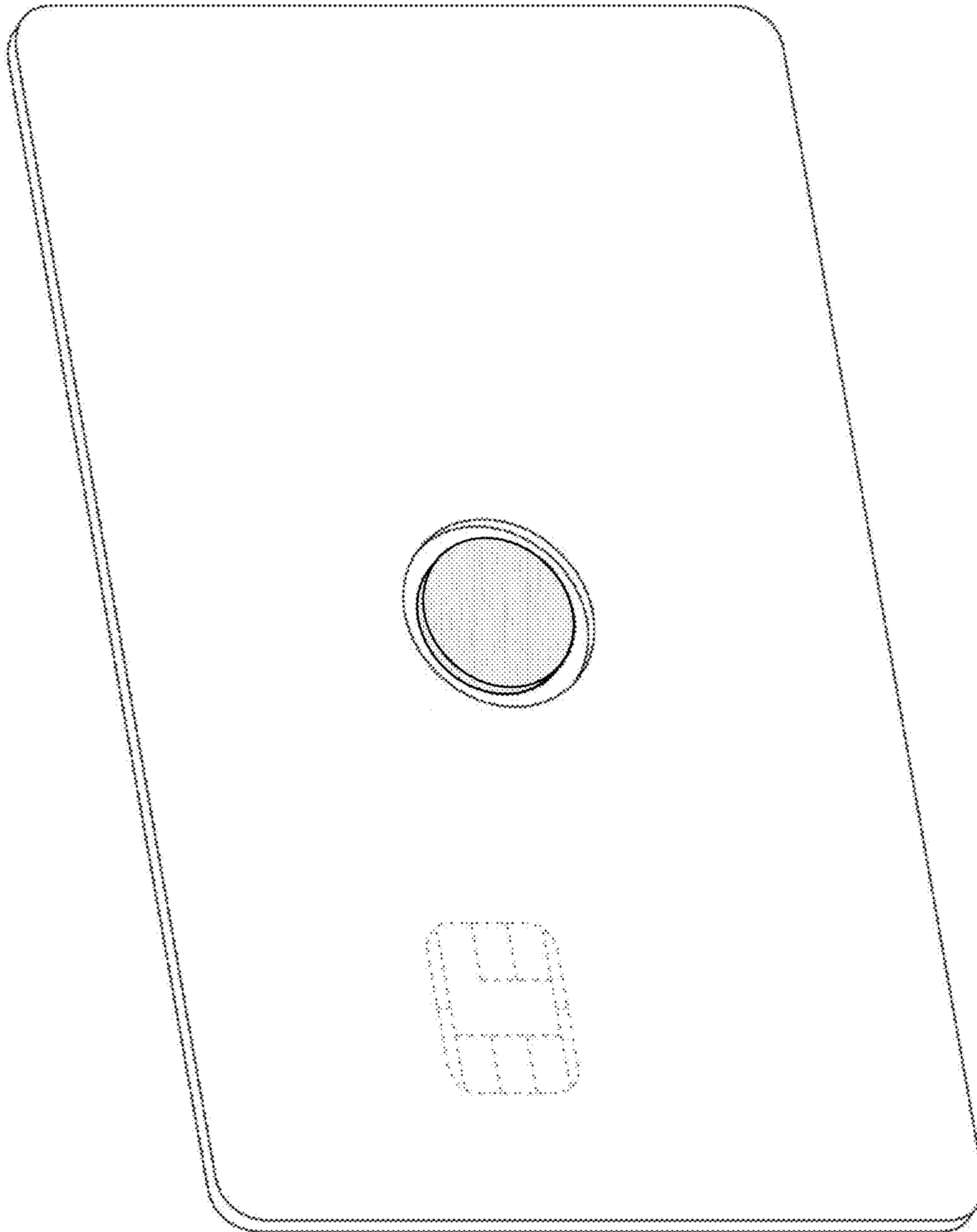
1.4



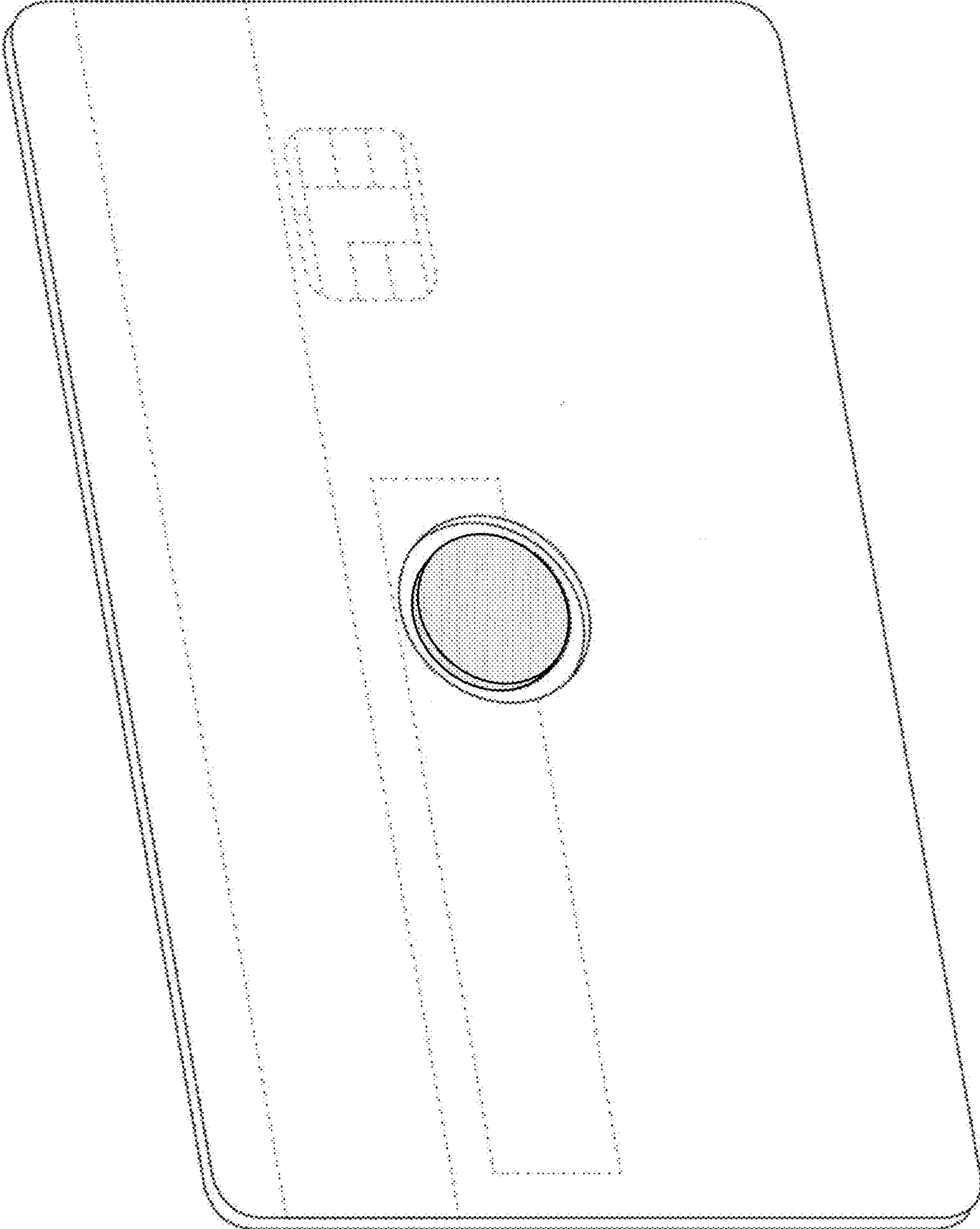
2.1



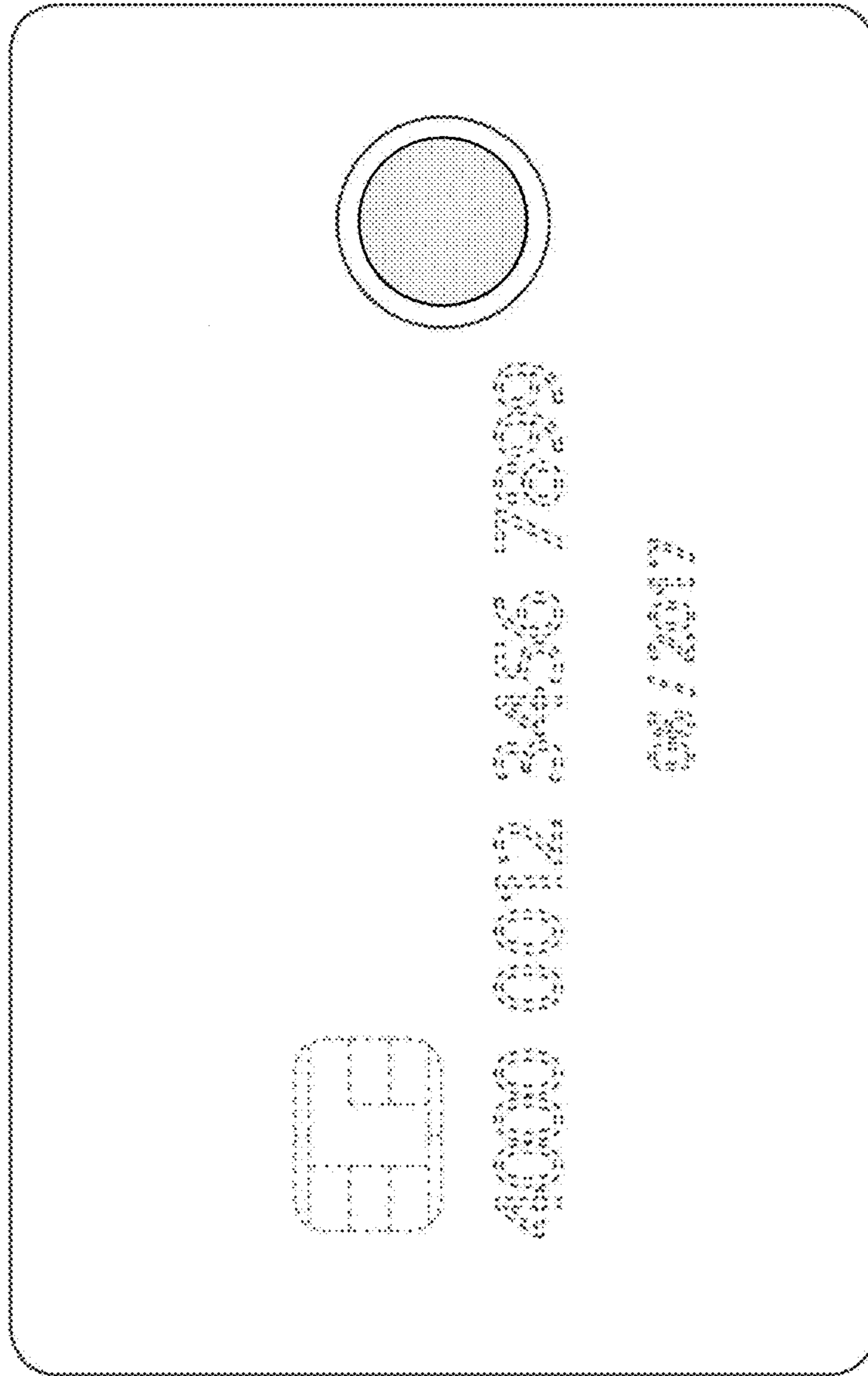
2.2



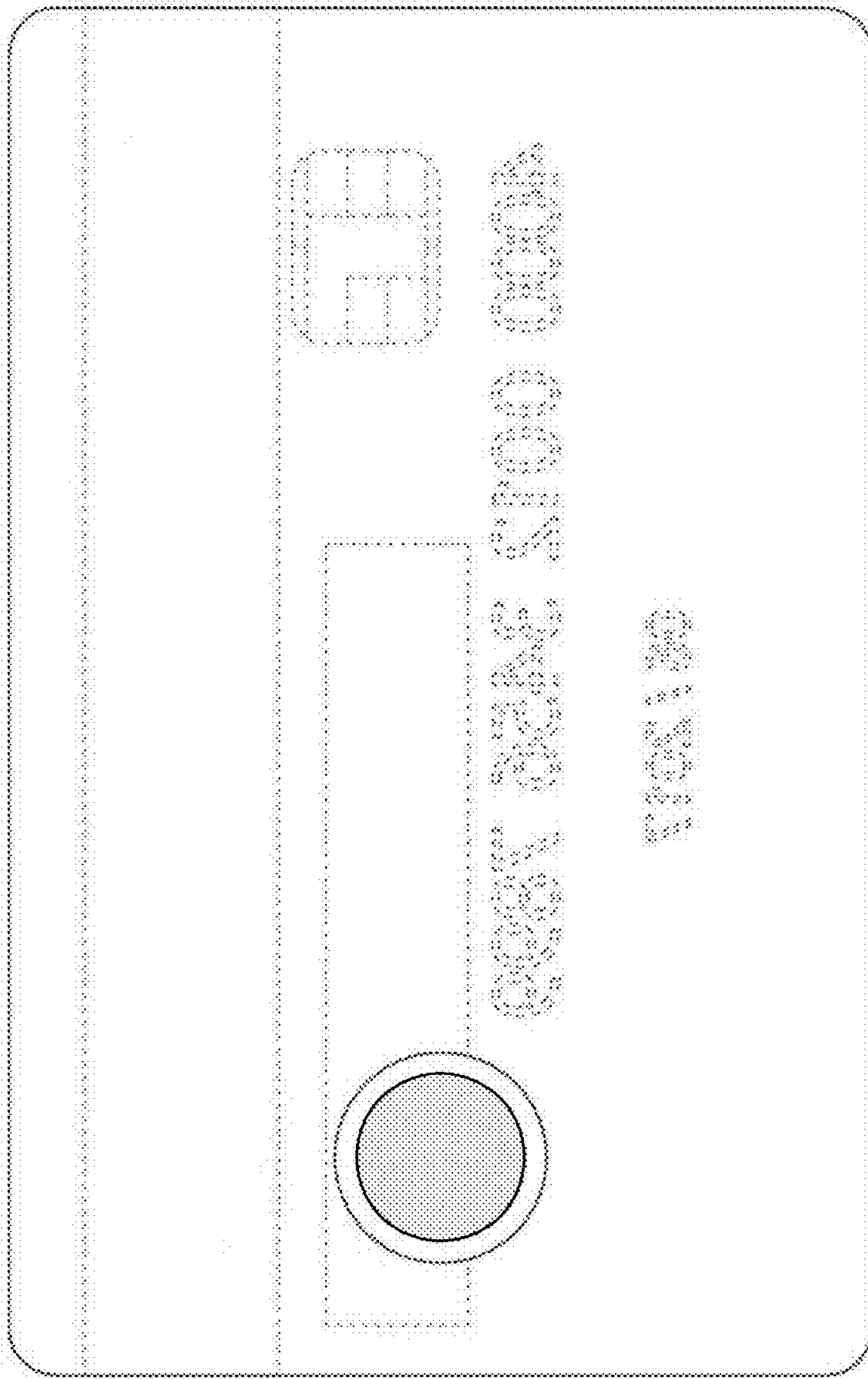
2.3



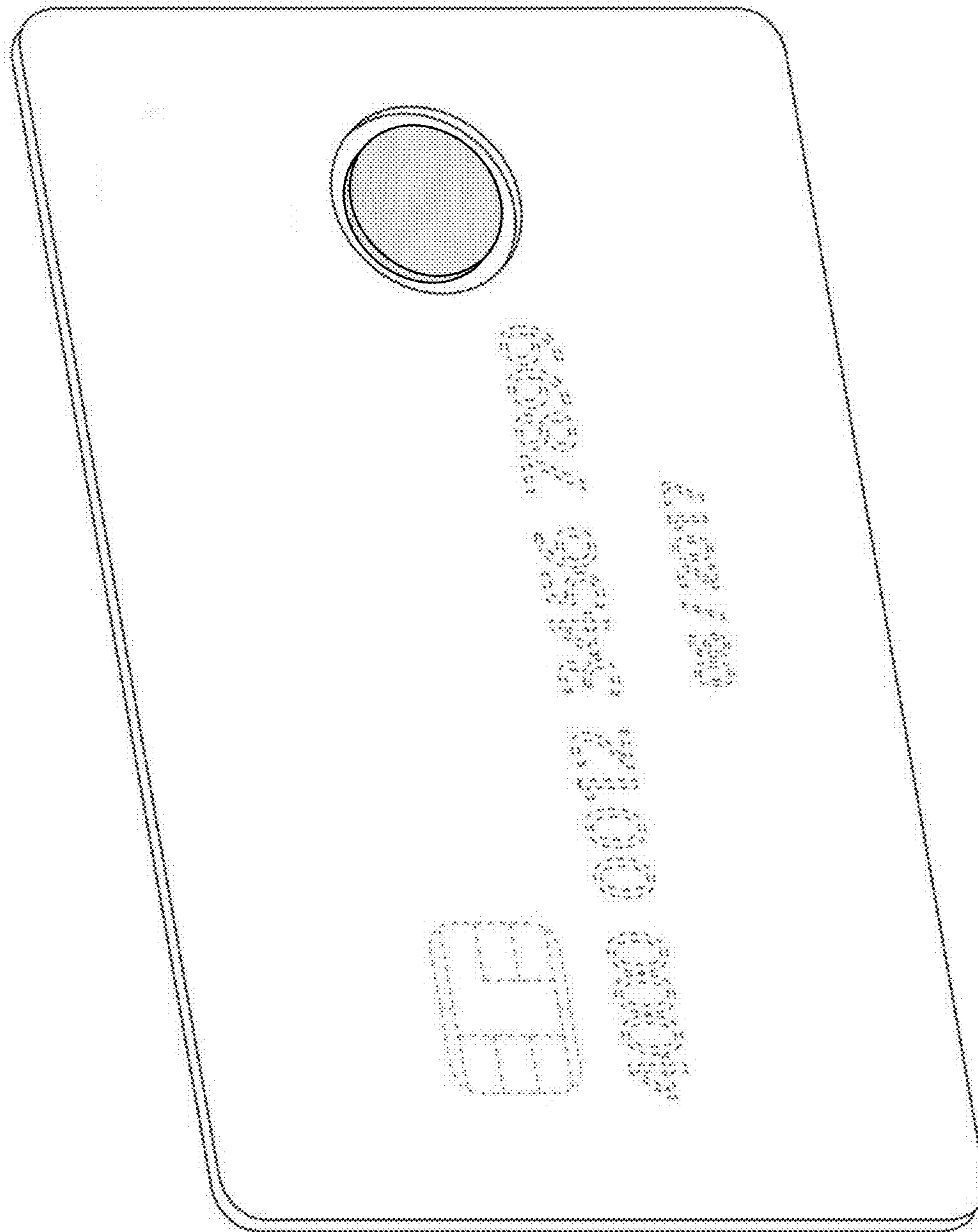
2.4



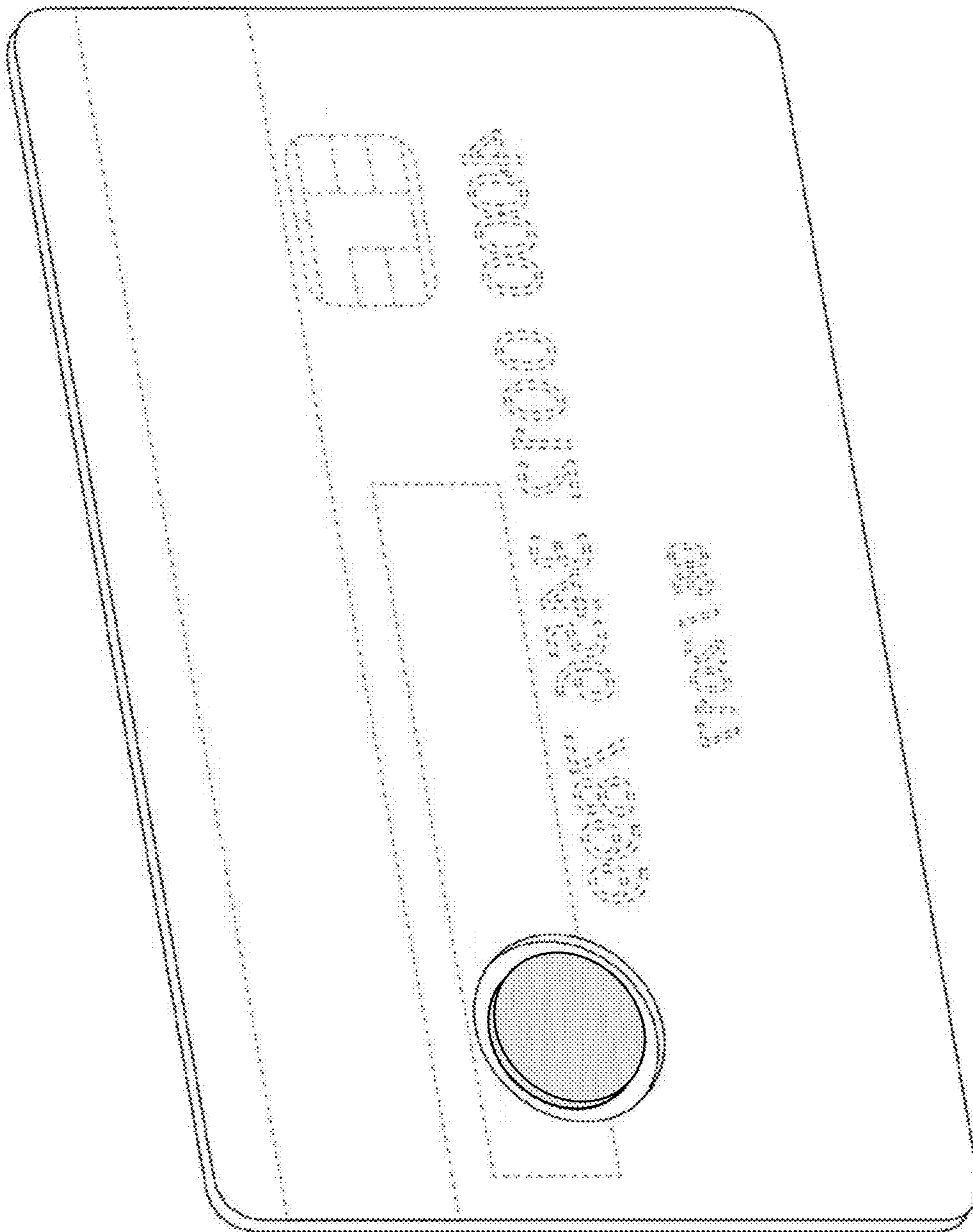
3.1



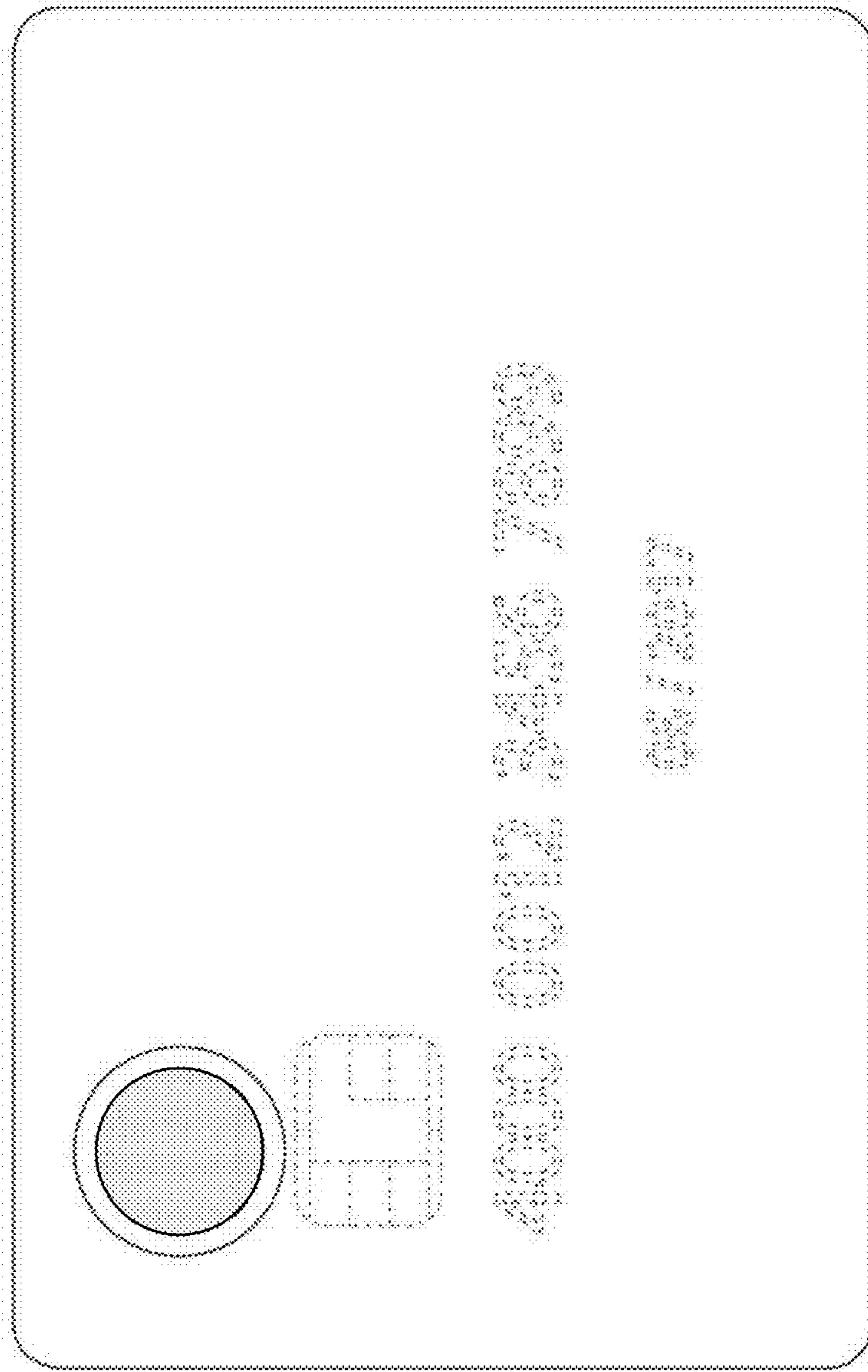
3.2



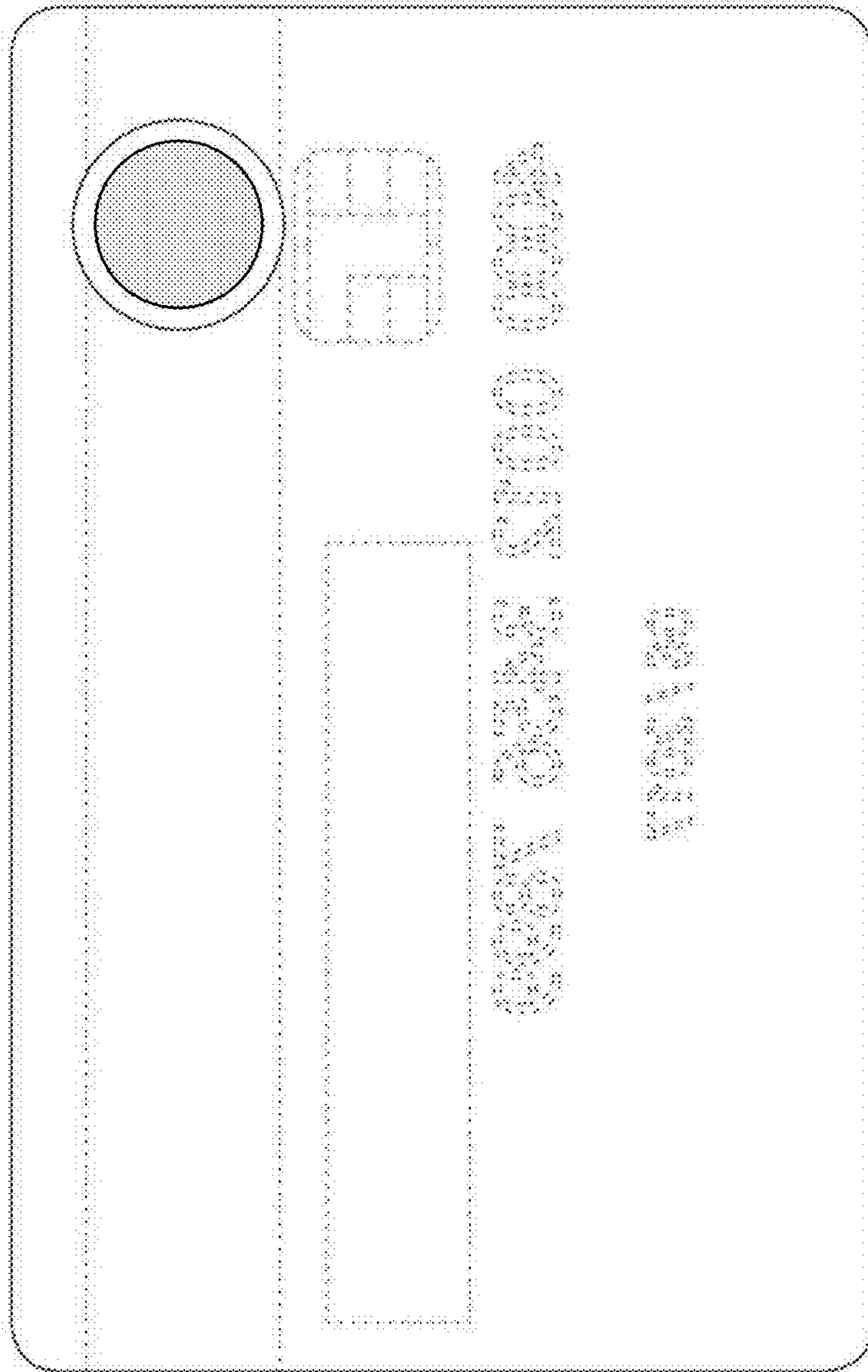
3.3



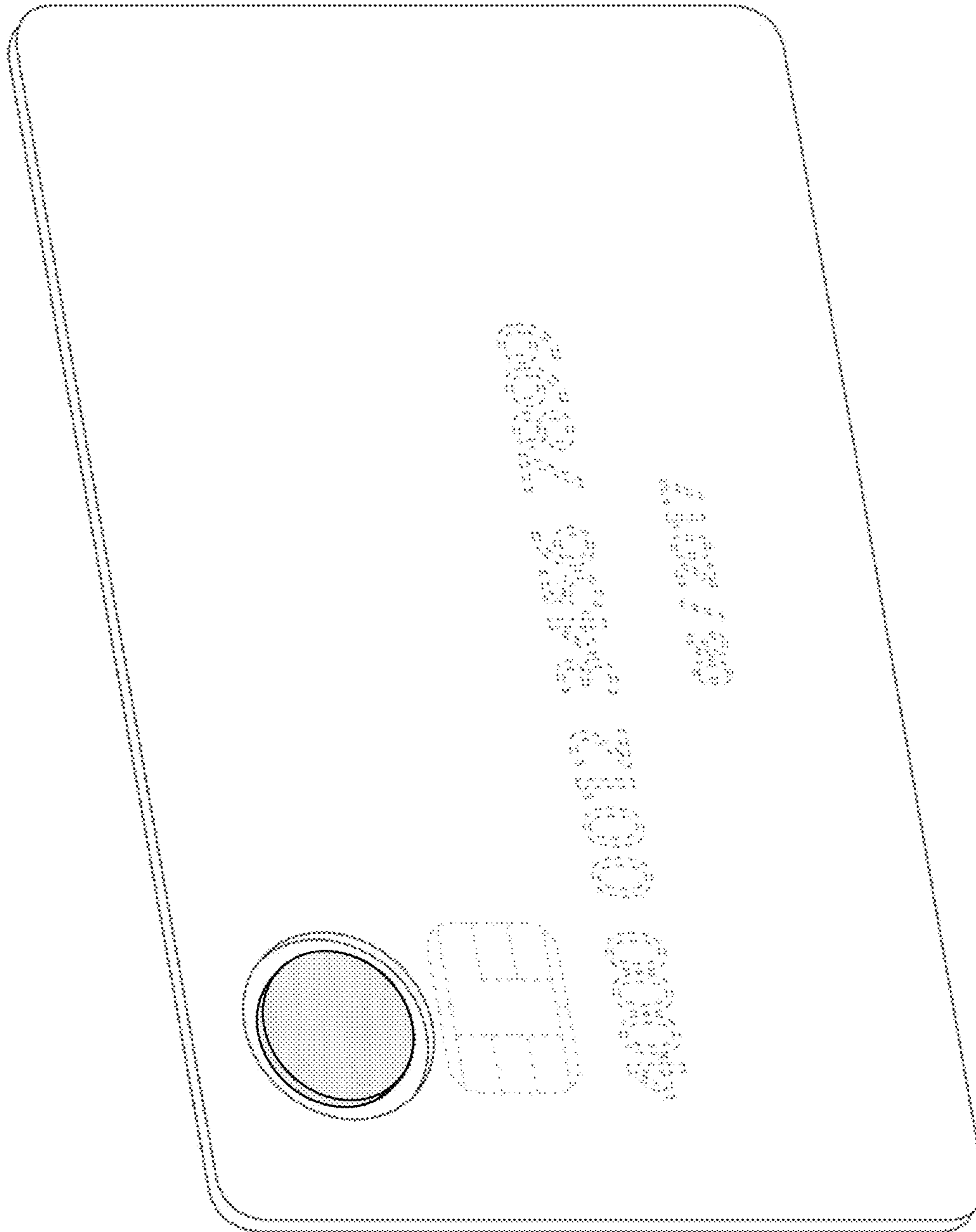
3.4



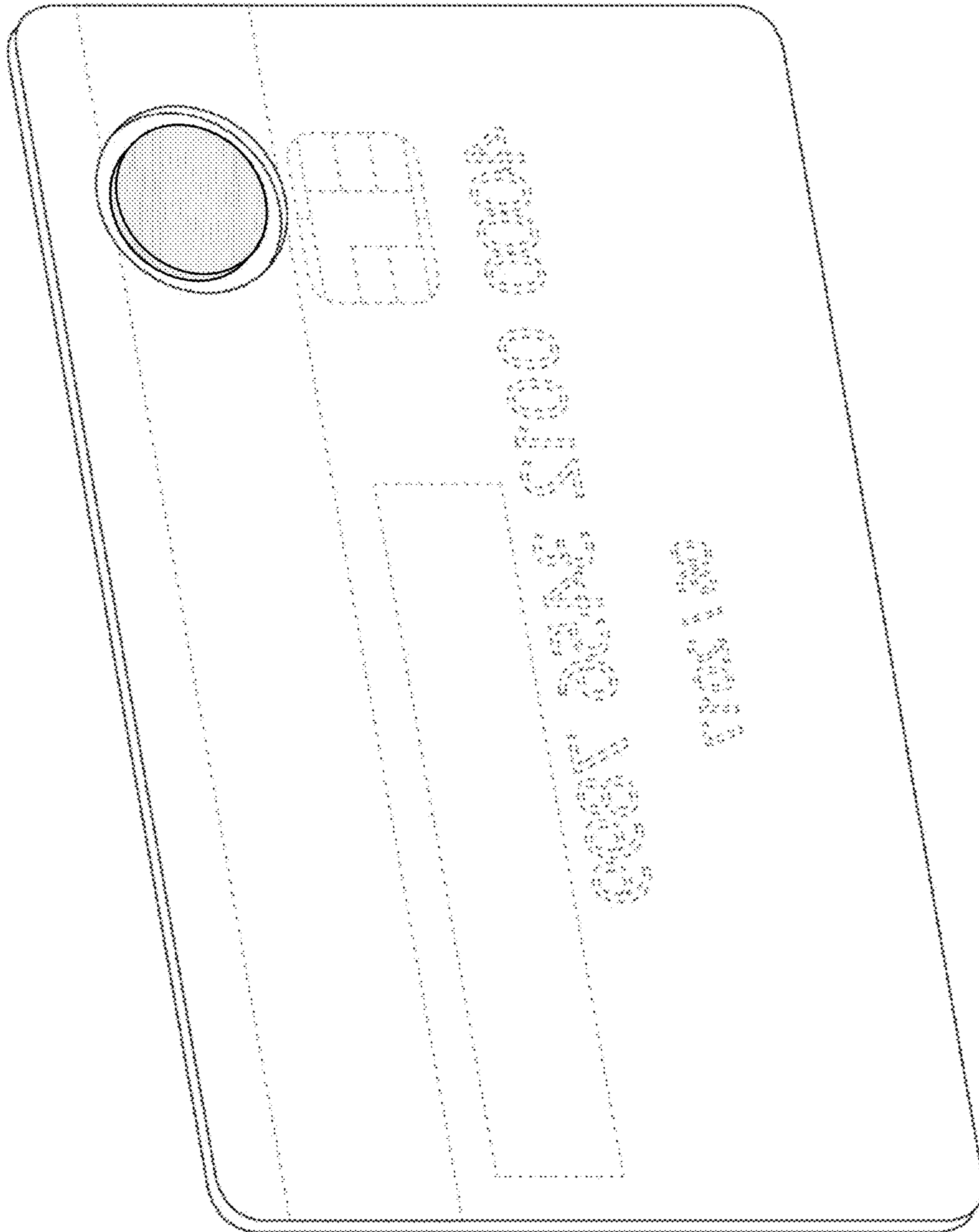
4.1



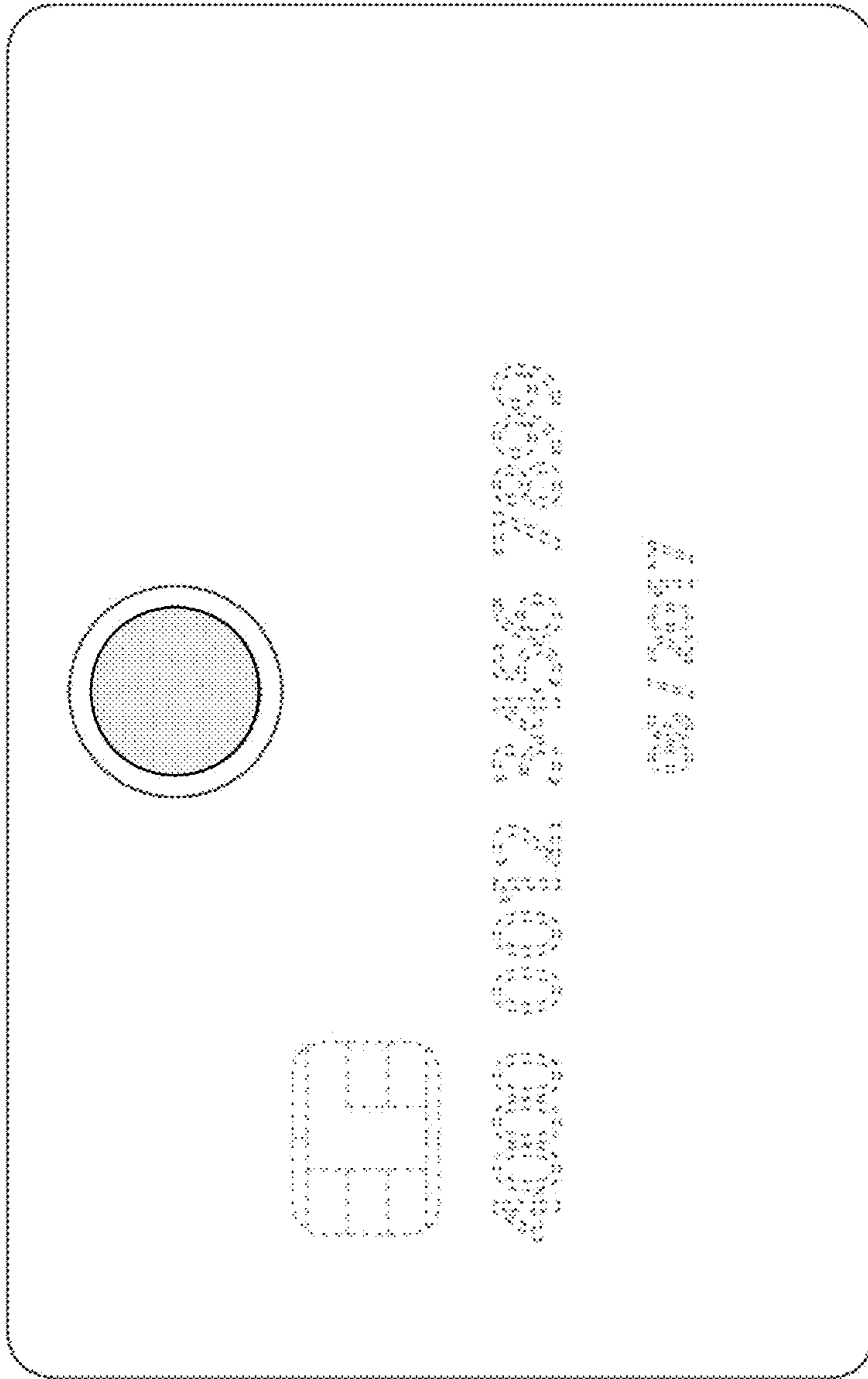
4.2



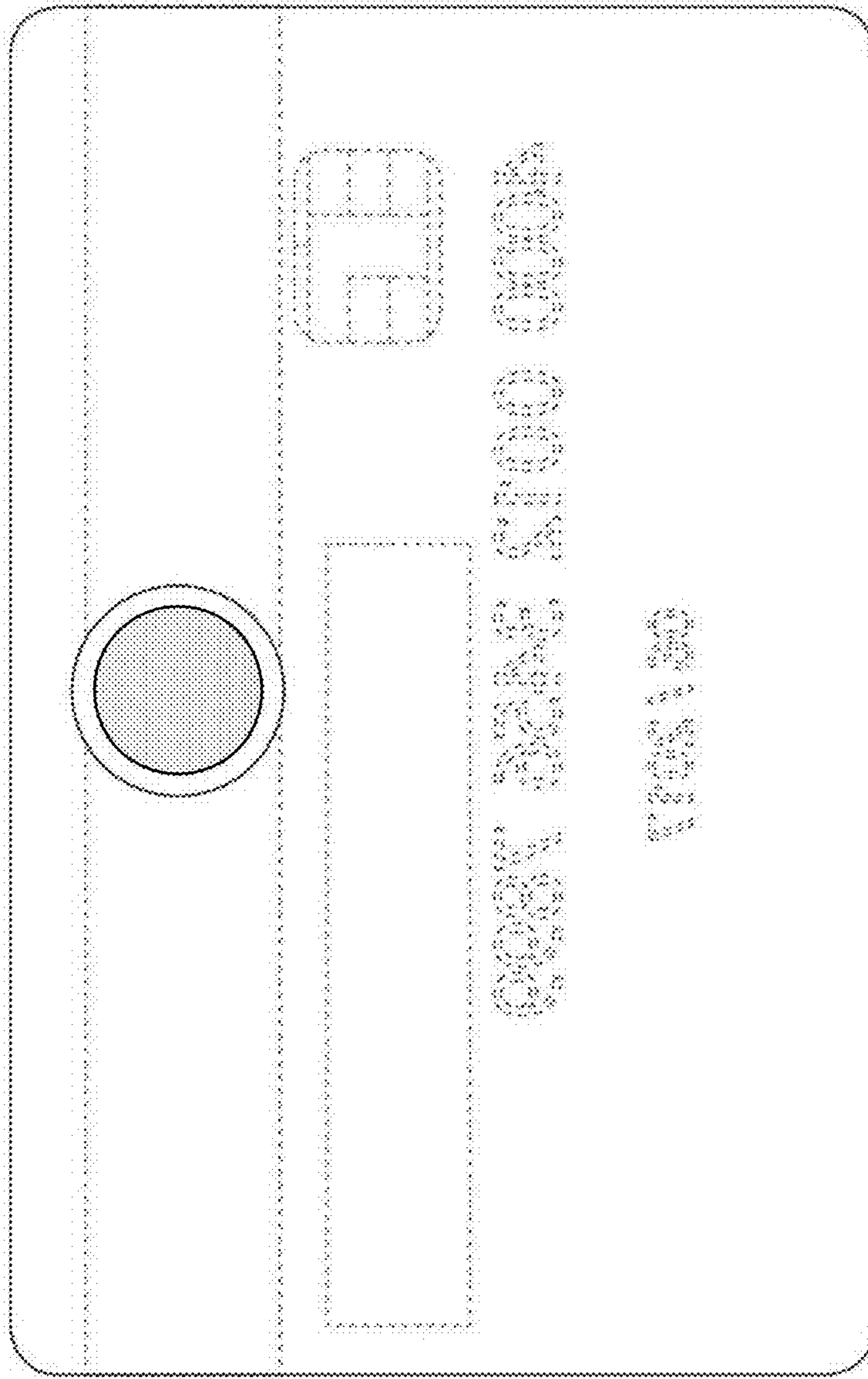
4.3



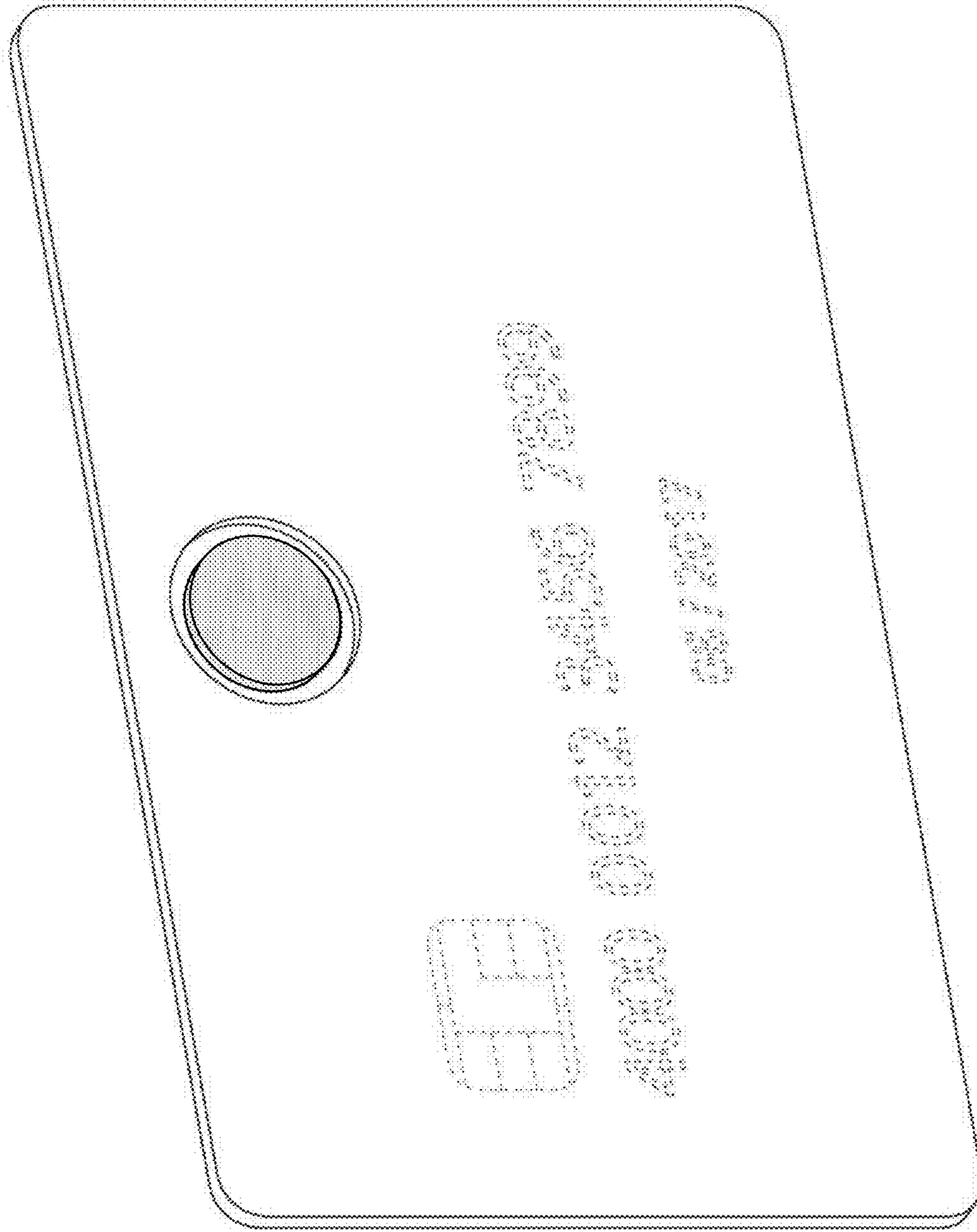
4.4



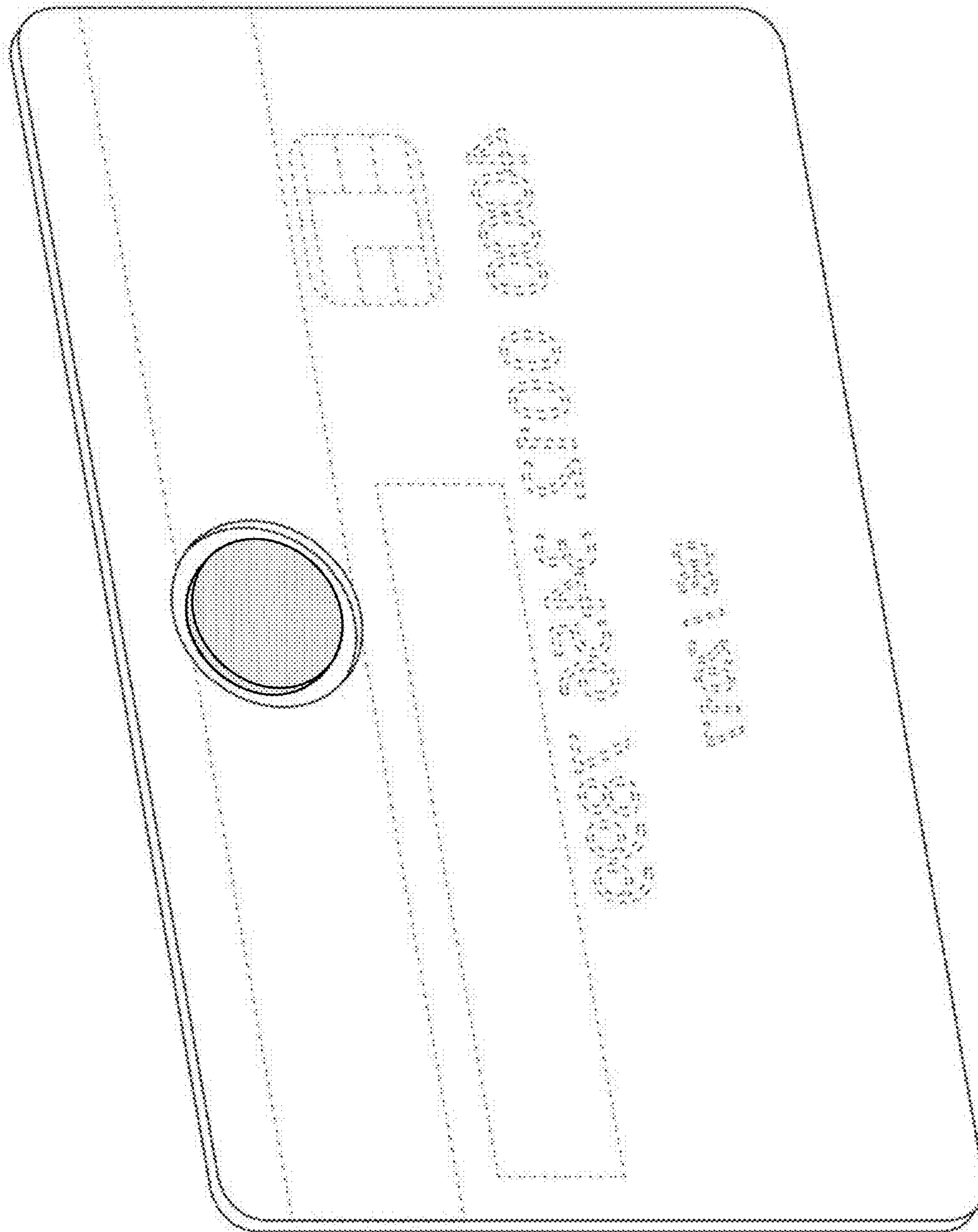
5.1



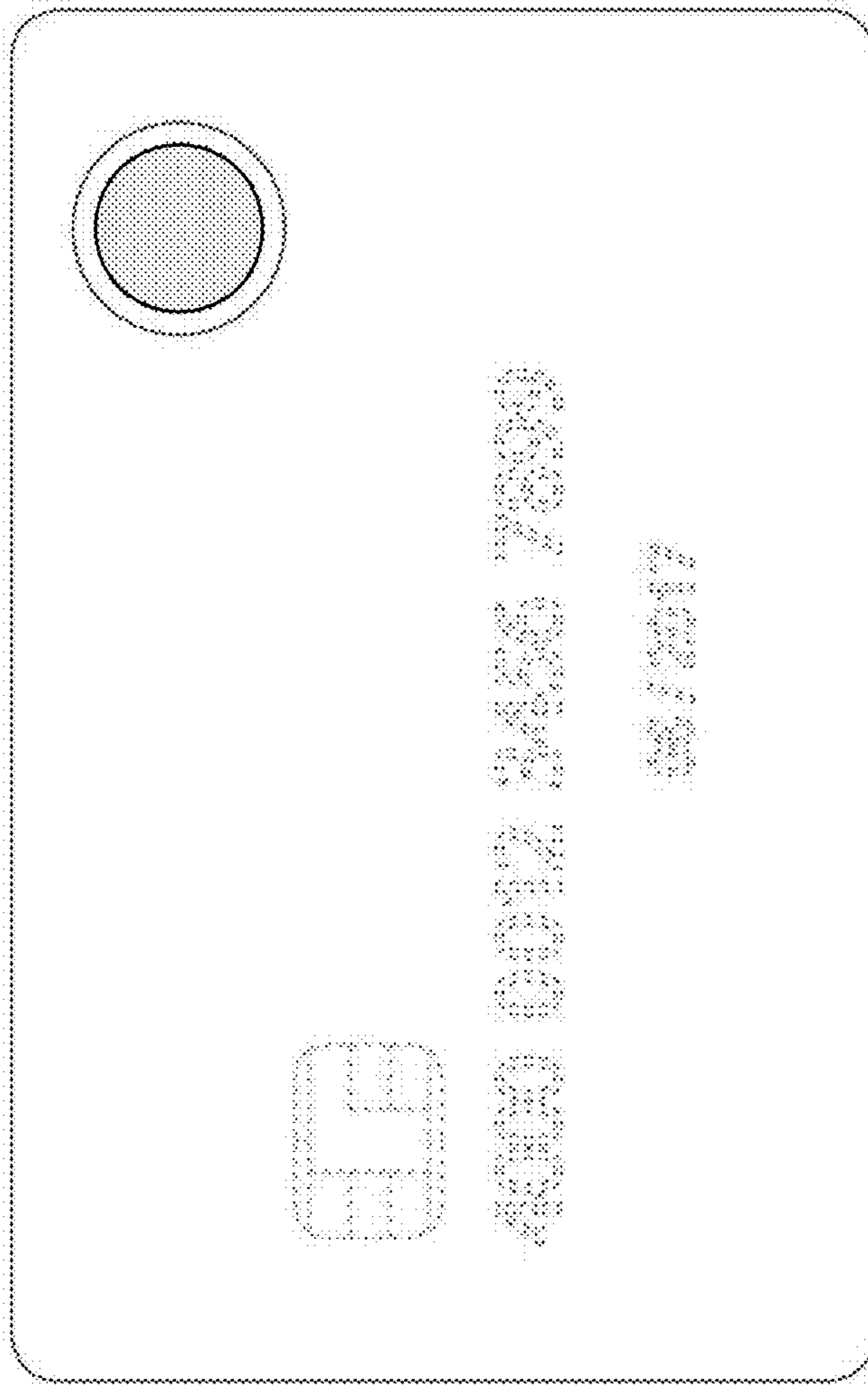
5.2



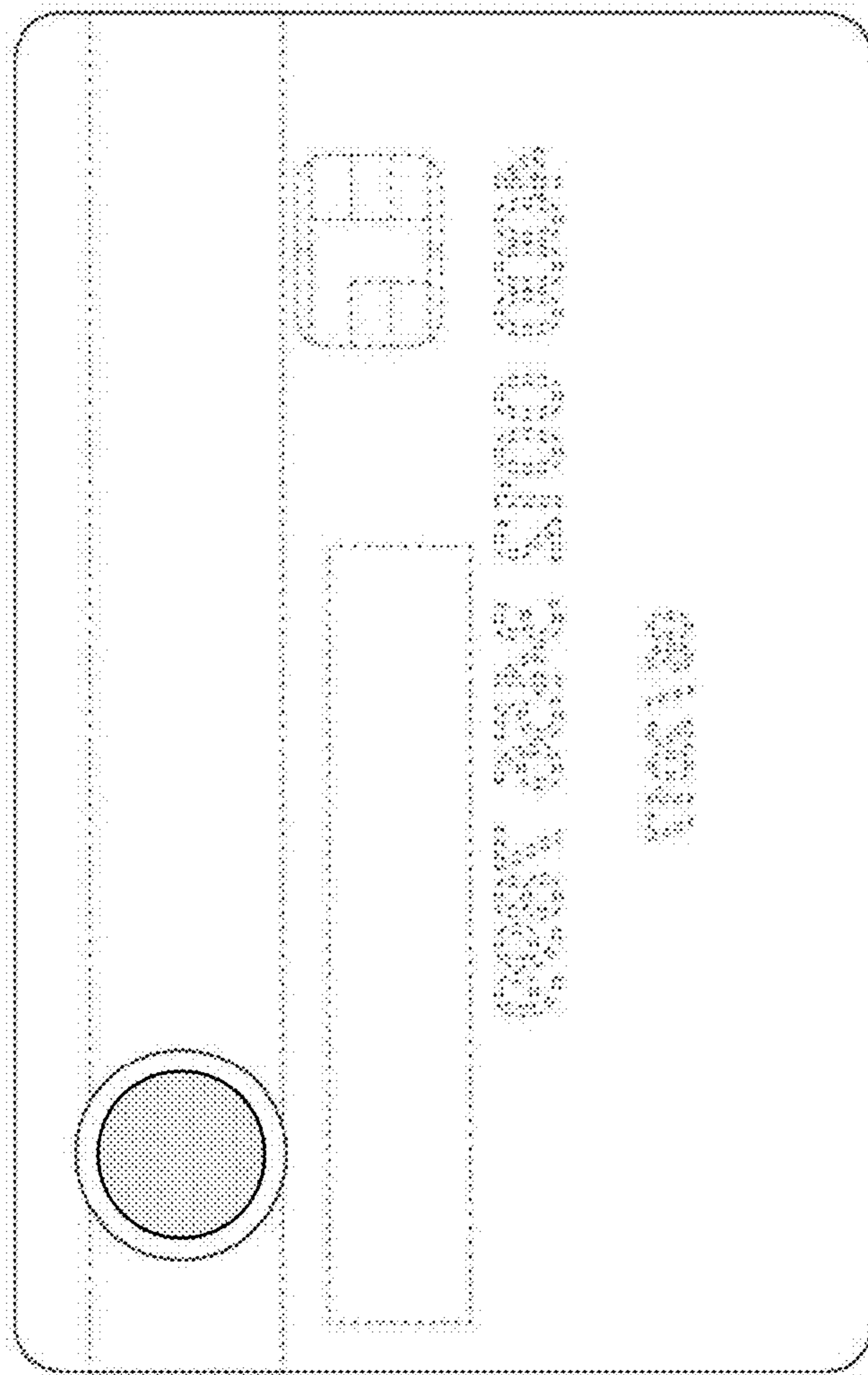
5.3



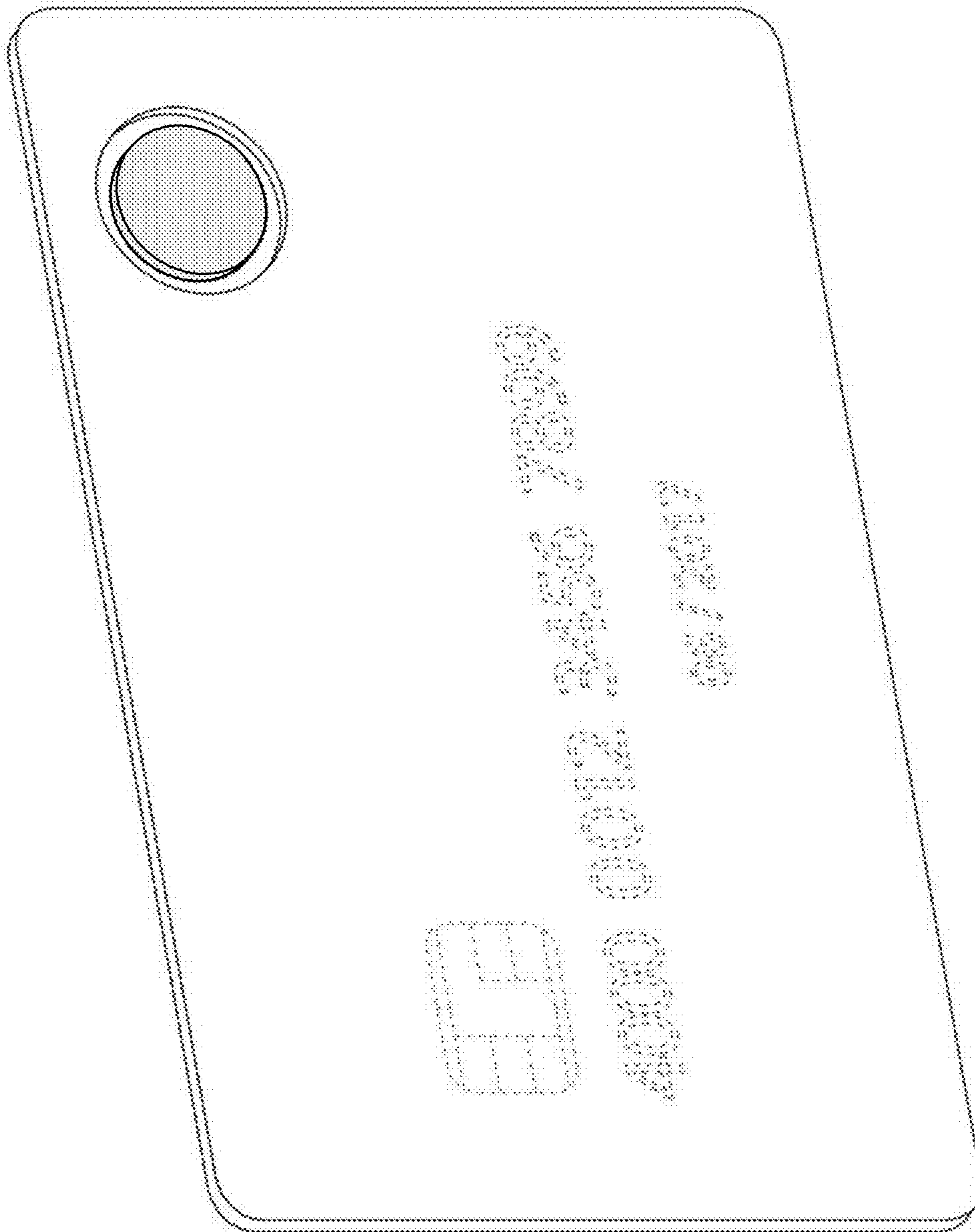
5.4



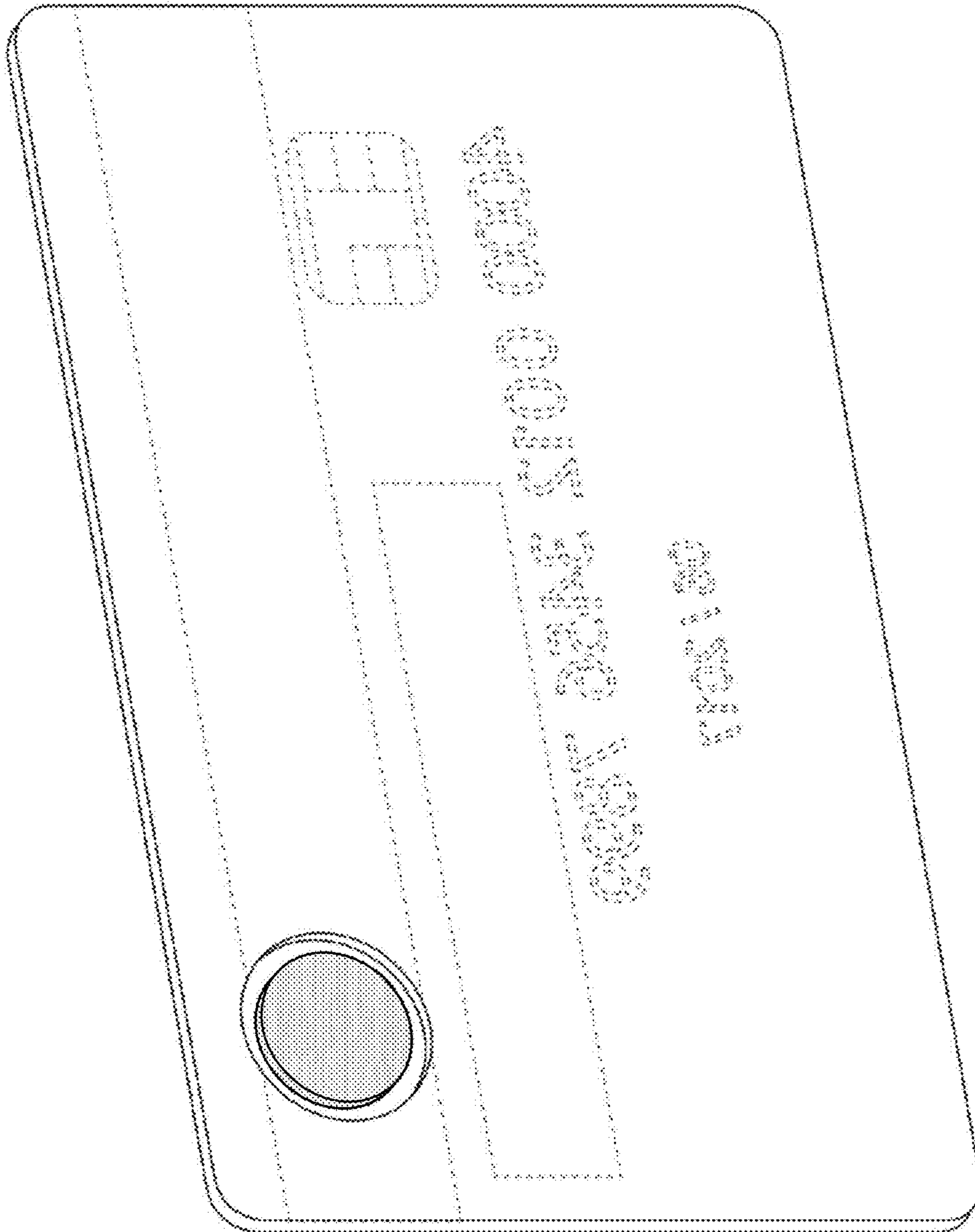
6.1



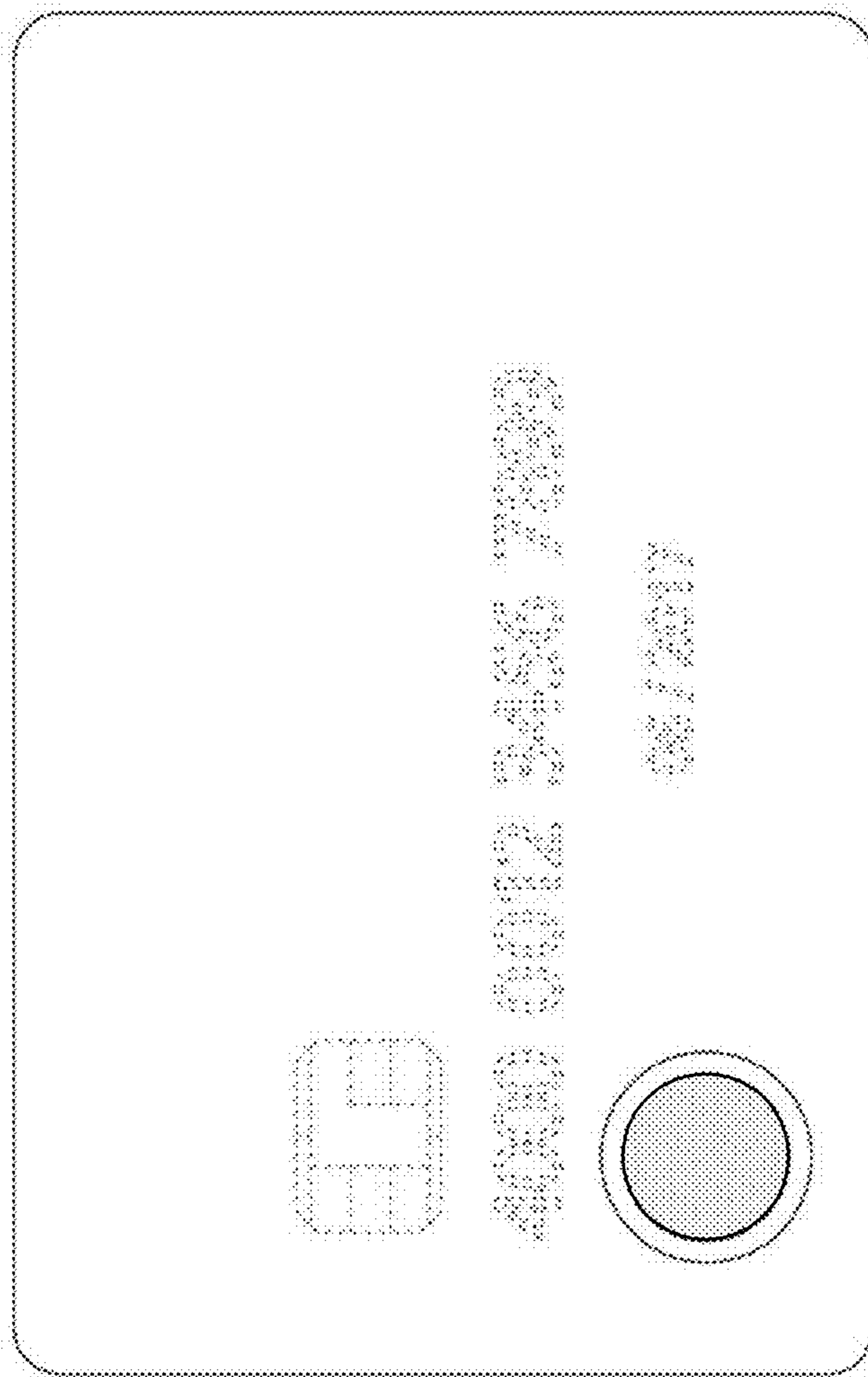
6.2



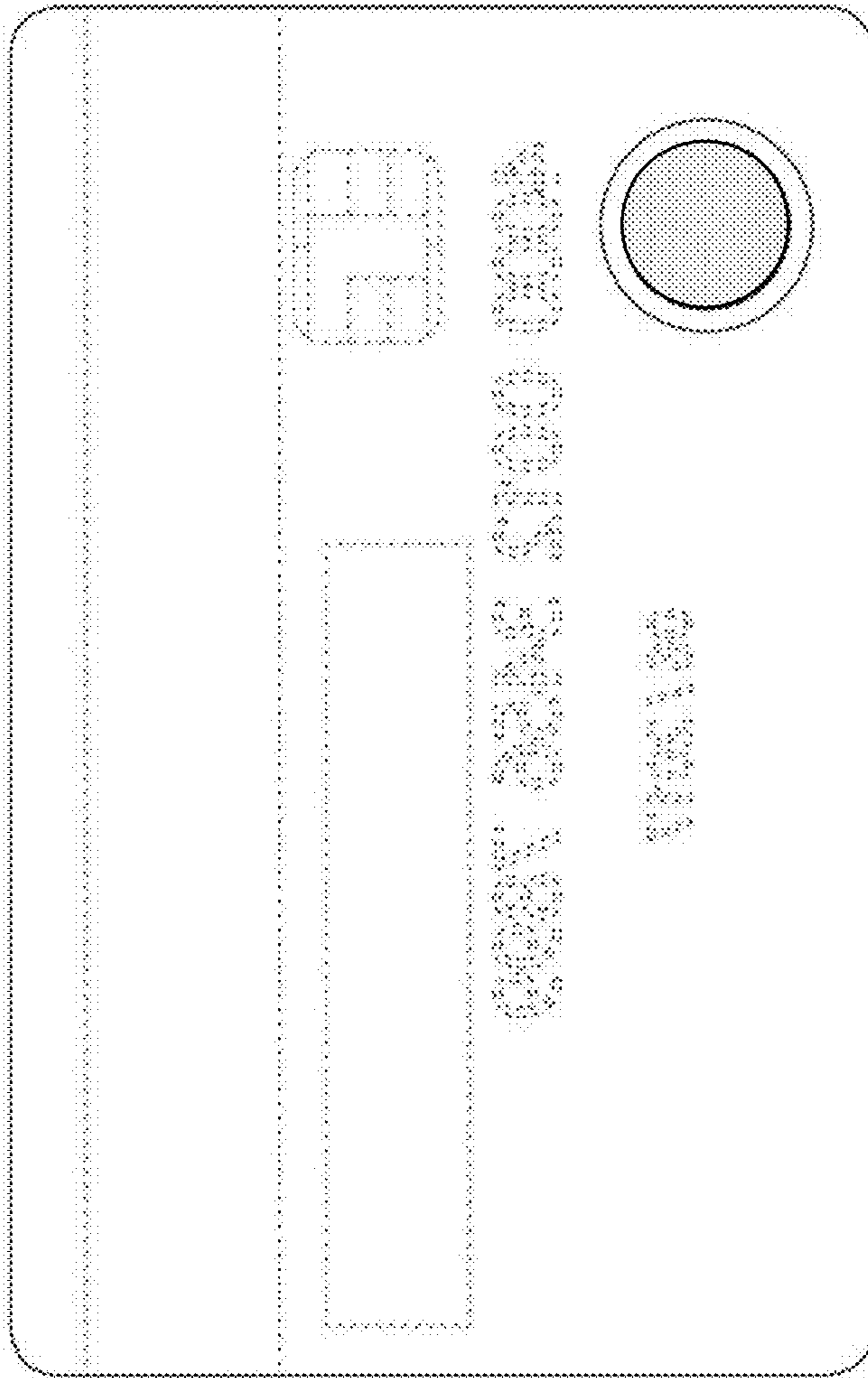
6.3



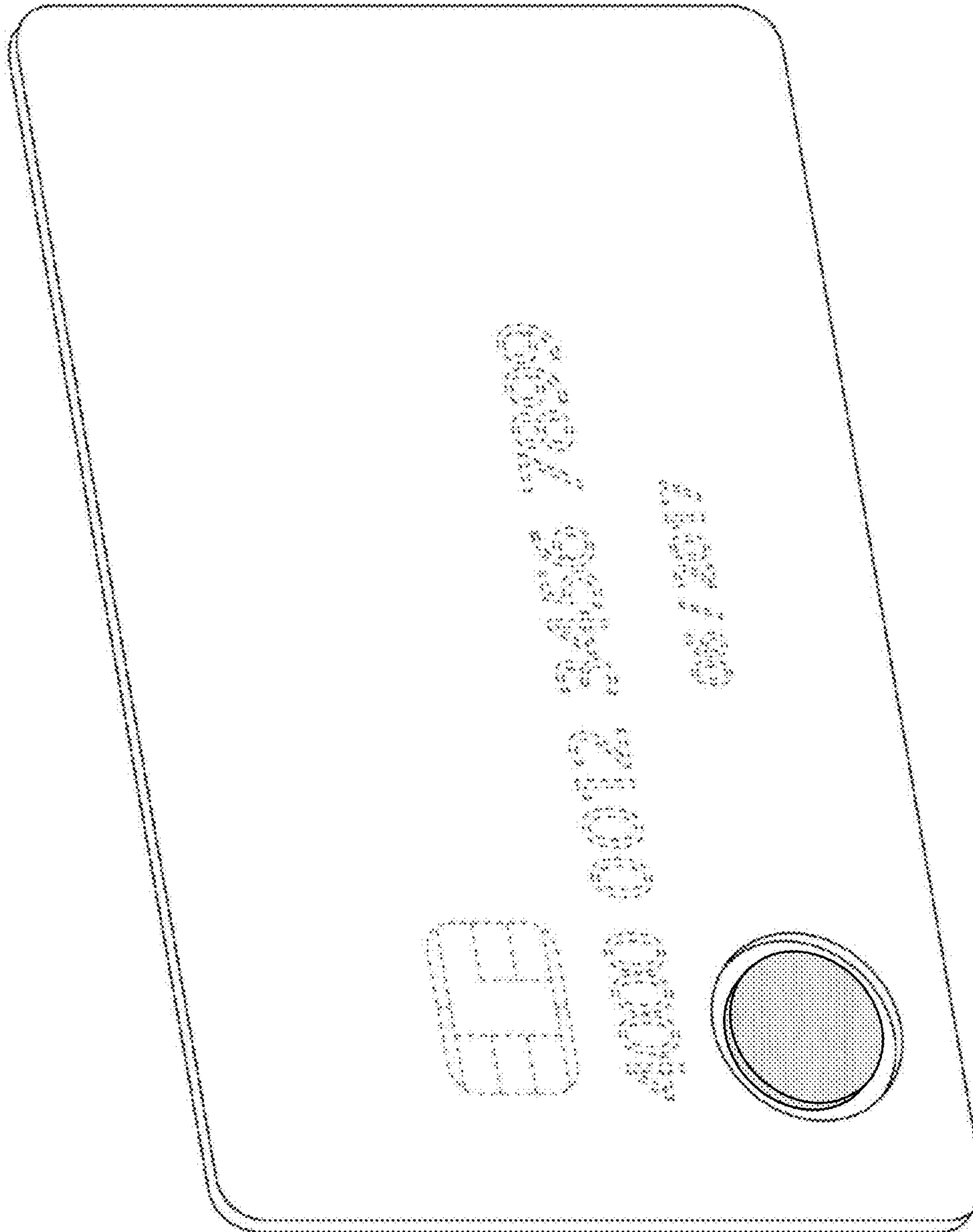
6.4



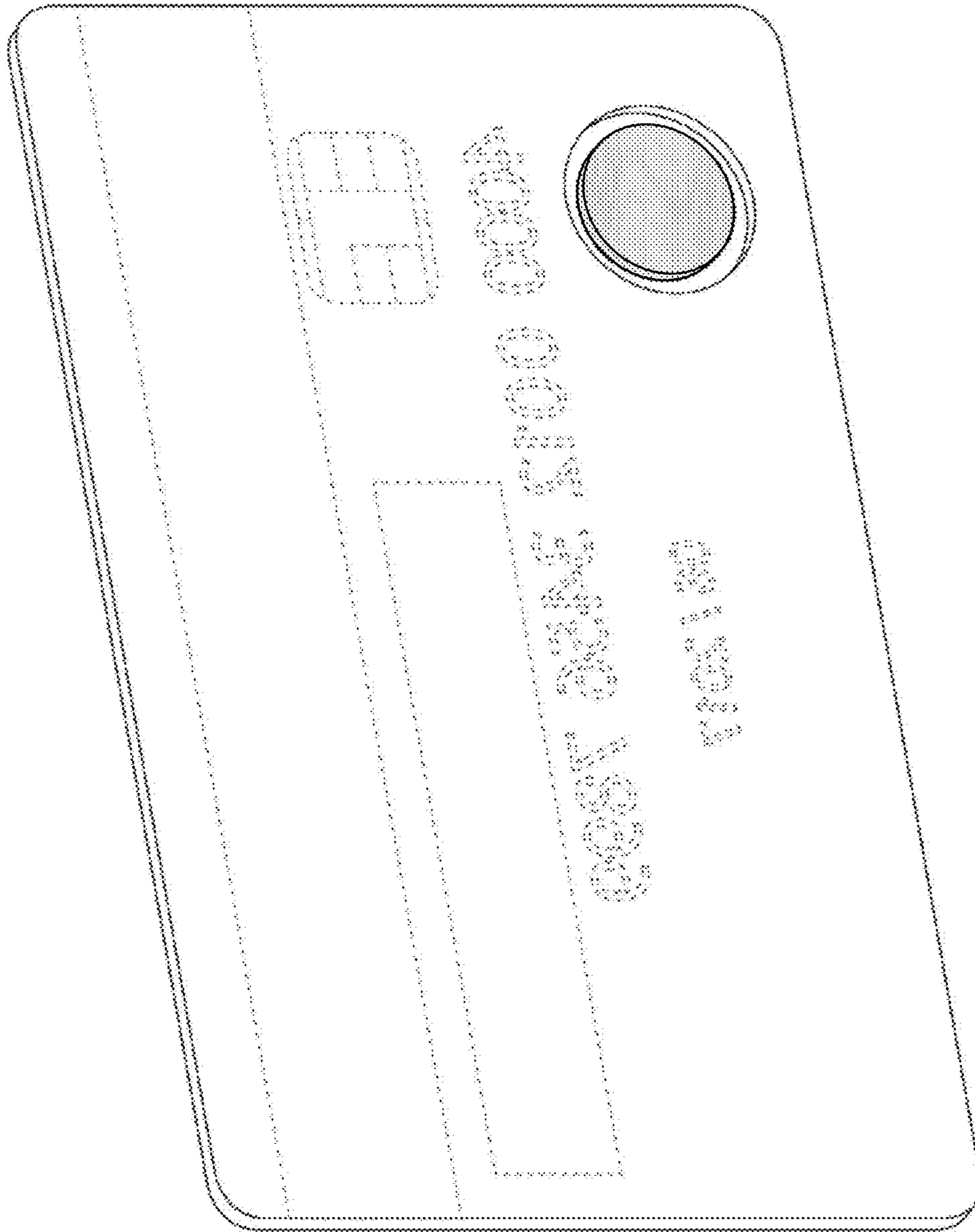
7.1



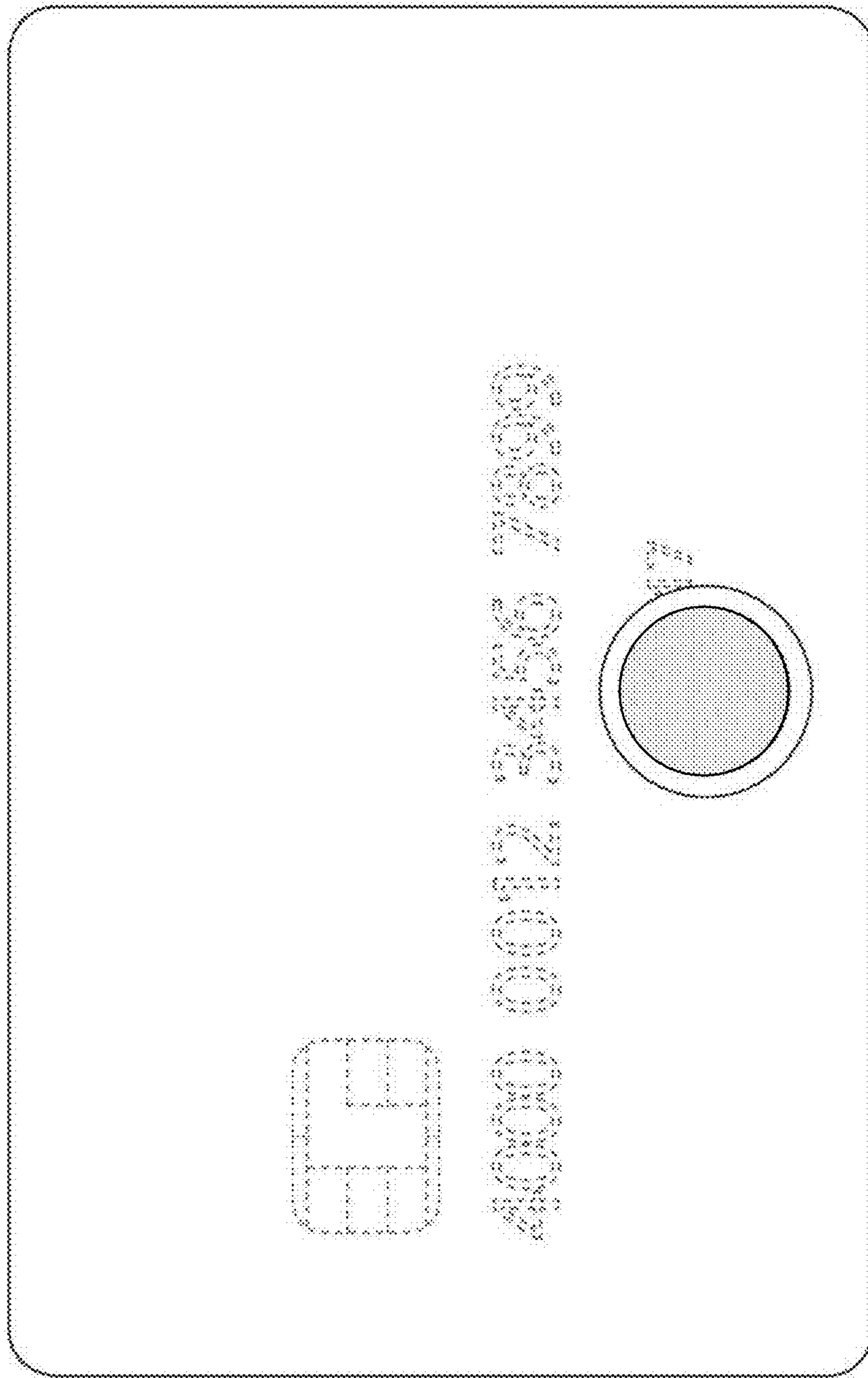
7.2



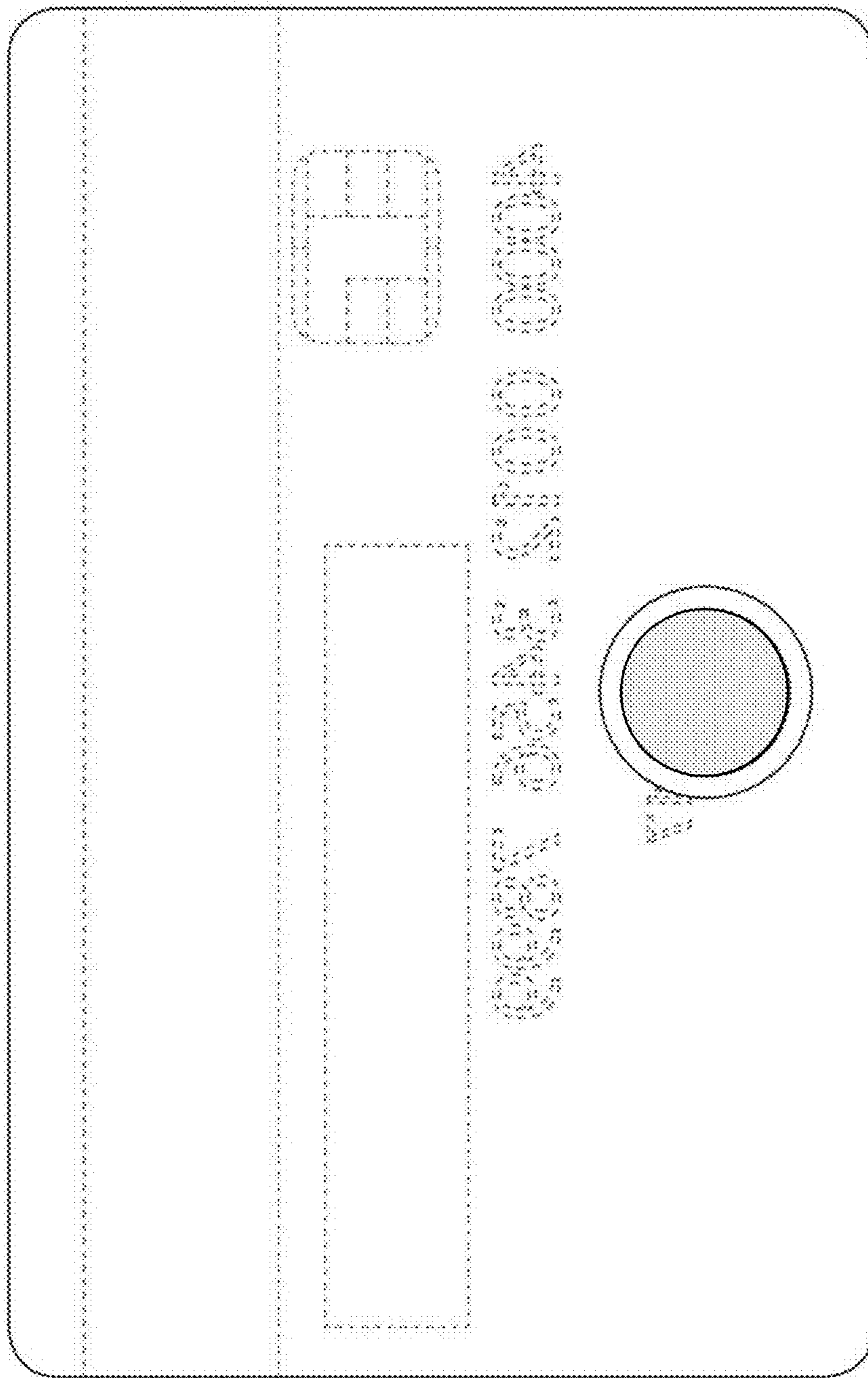
7.3



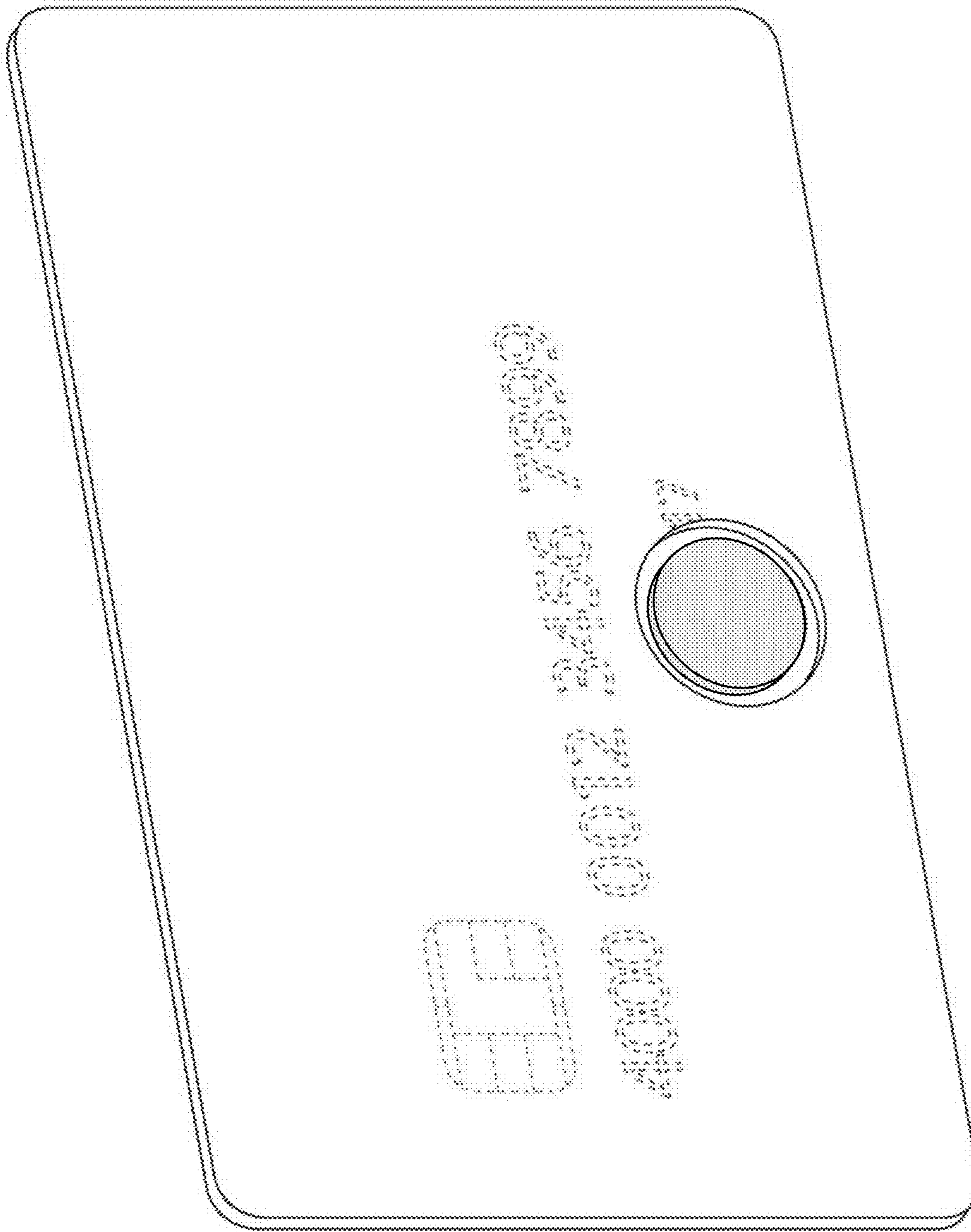
7.4



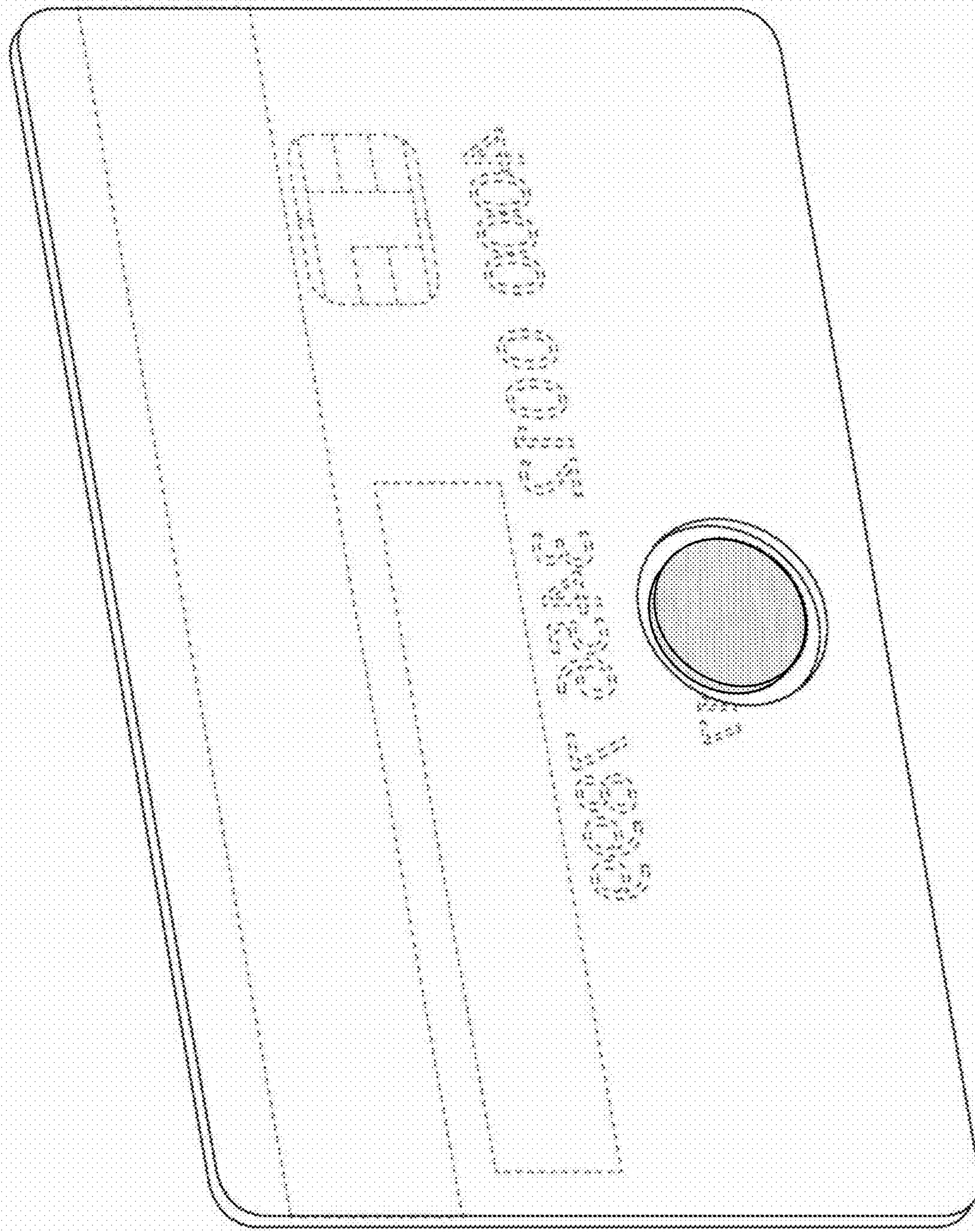
8.1



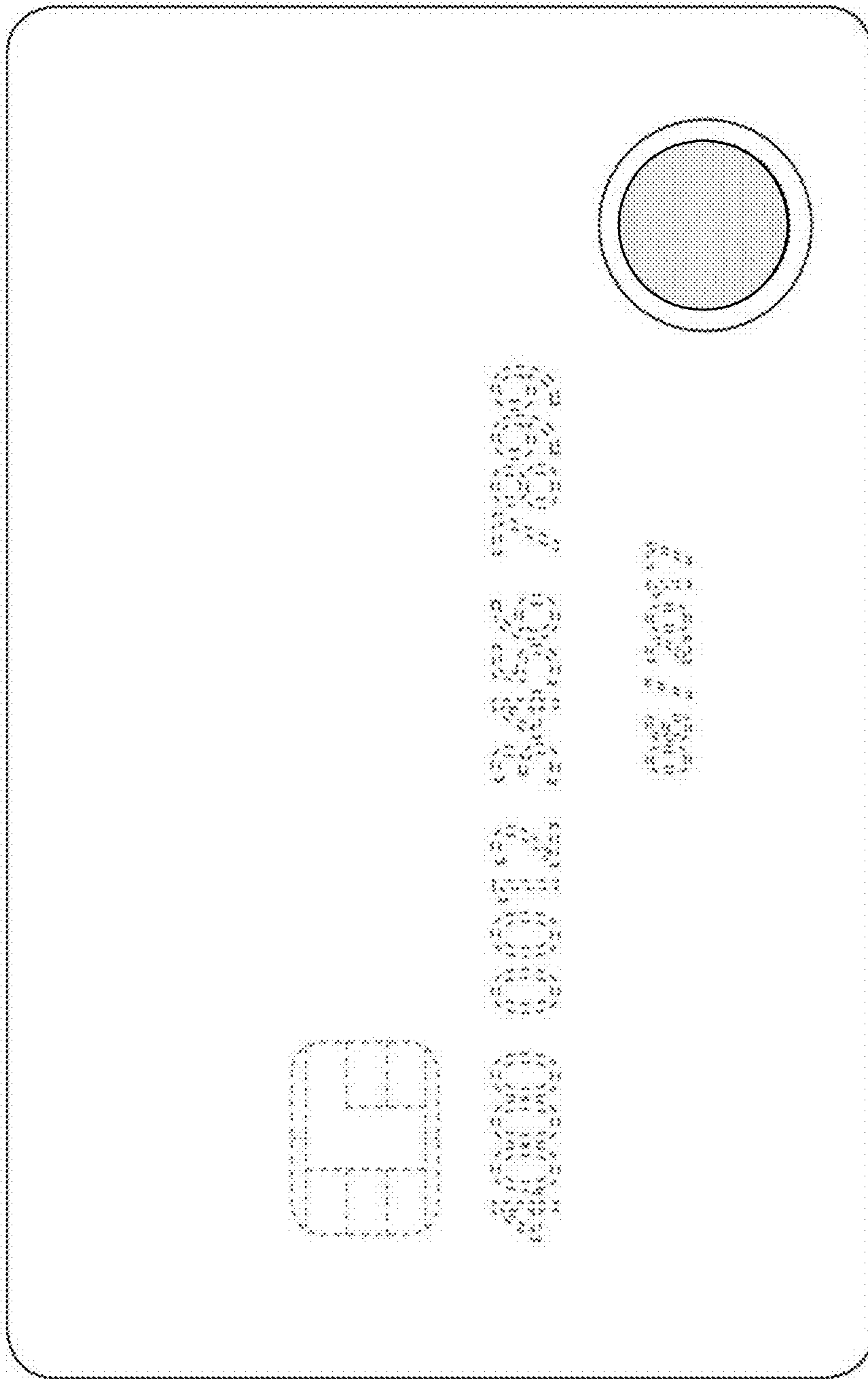
8.2



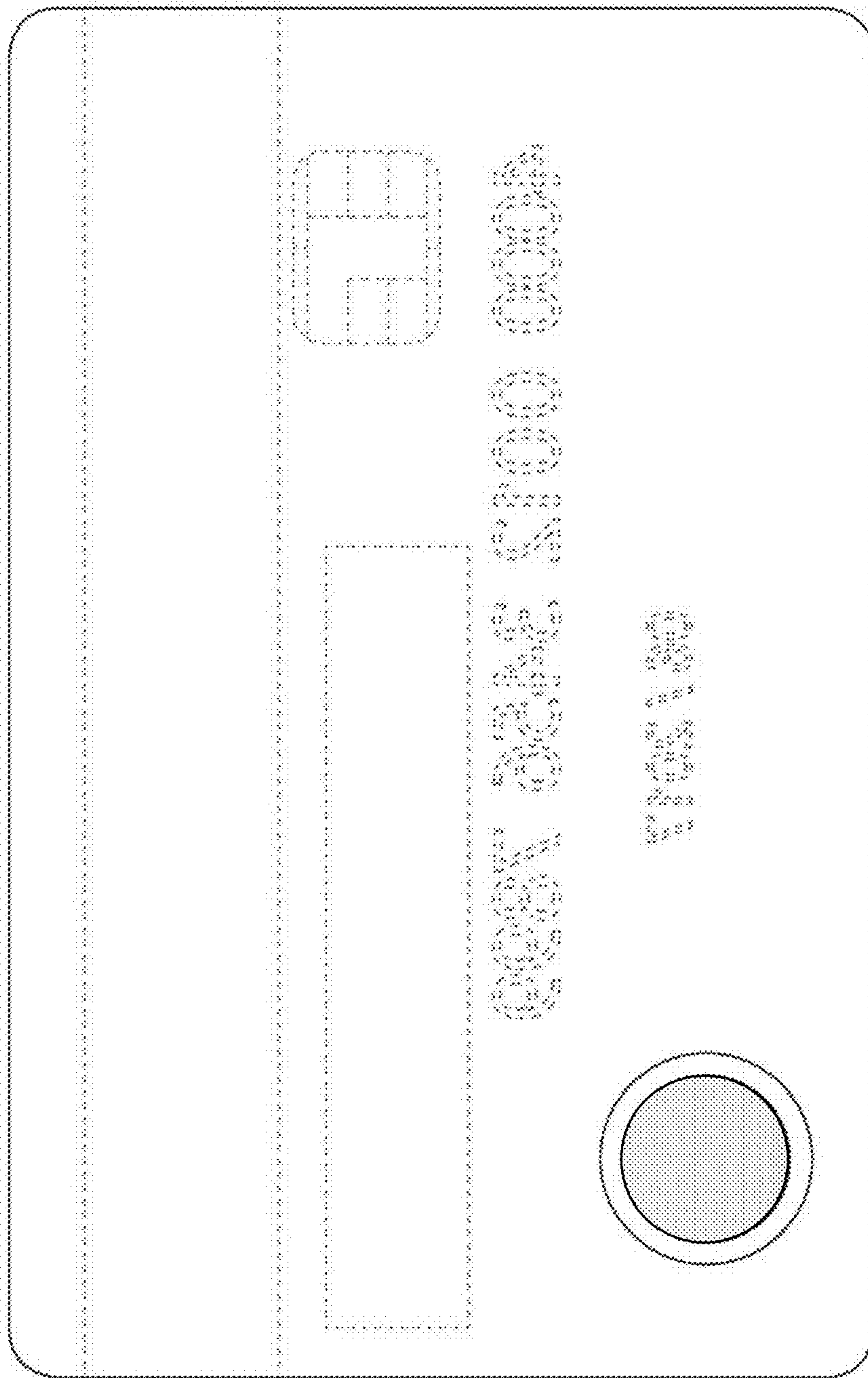
8.3



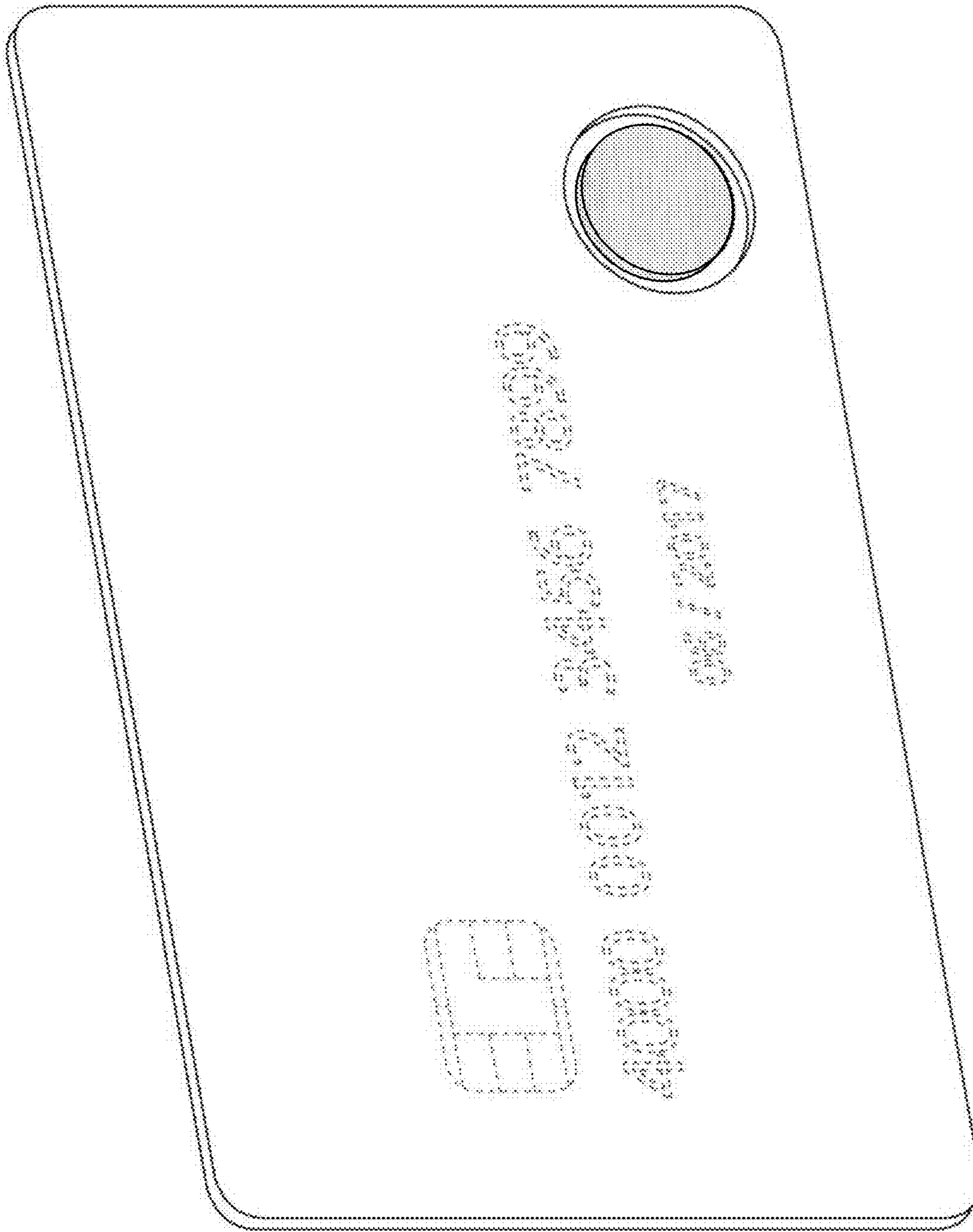
8.4



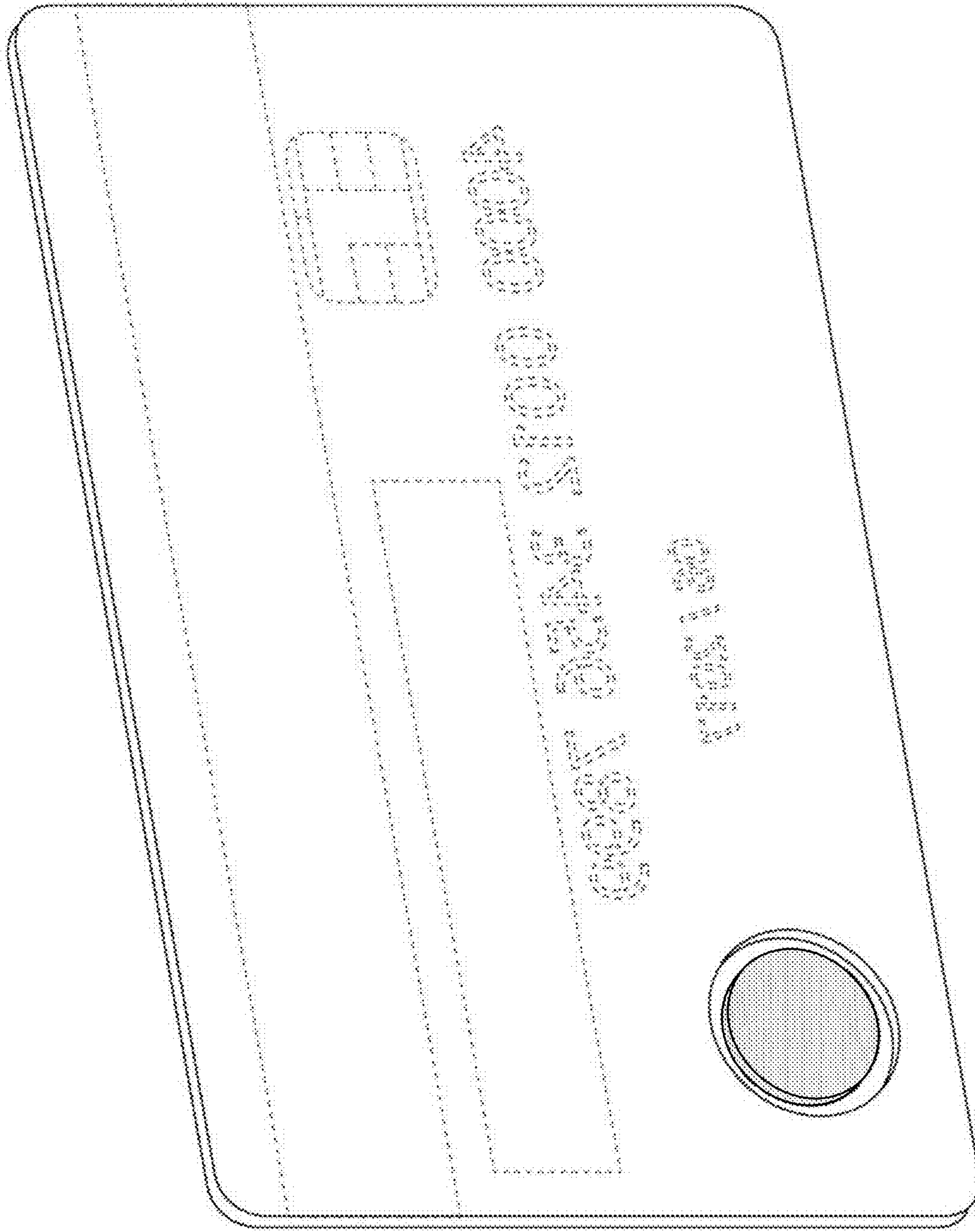
9.1



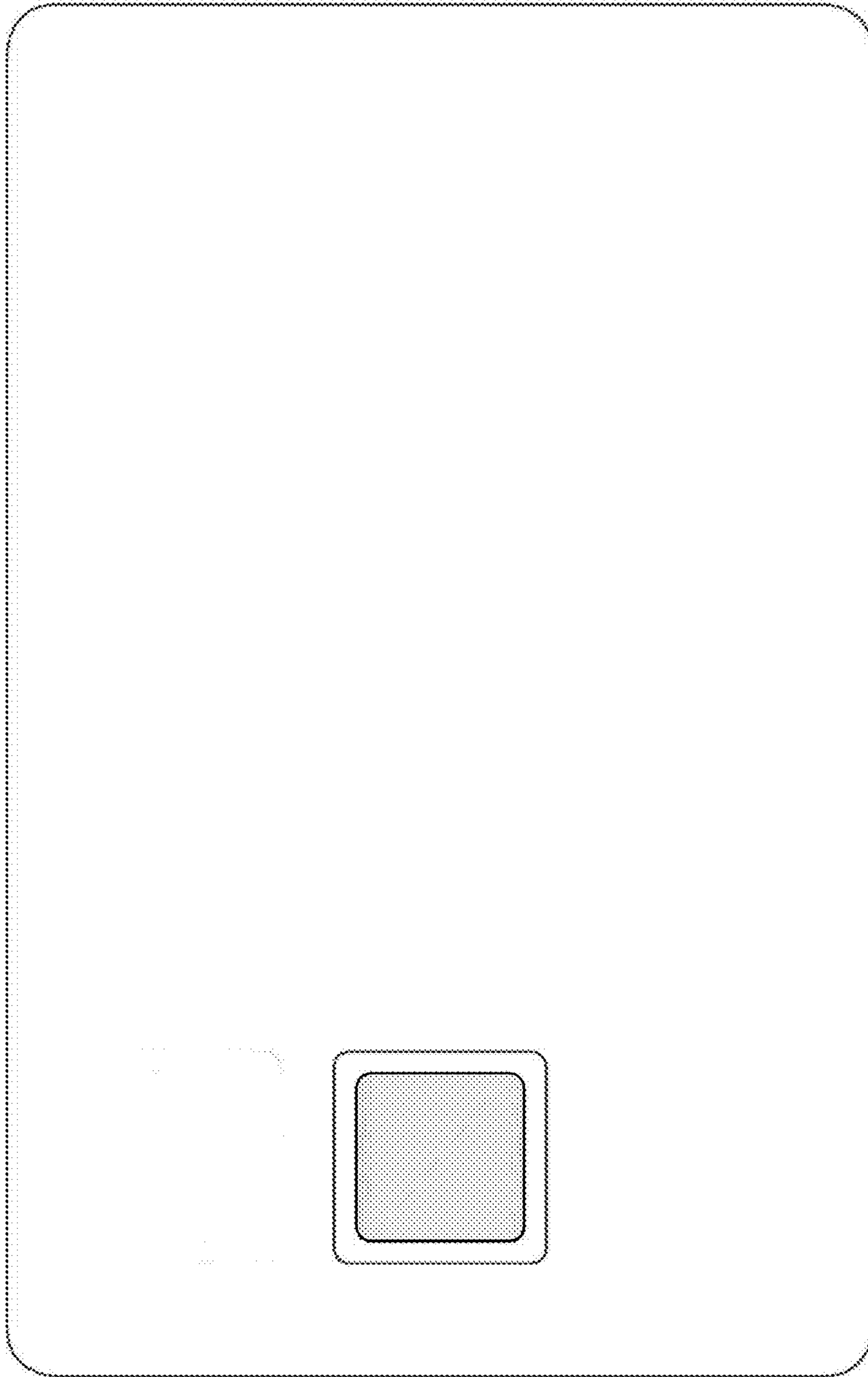
9.2



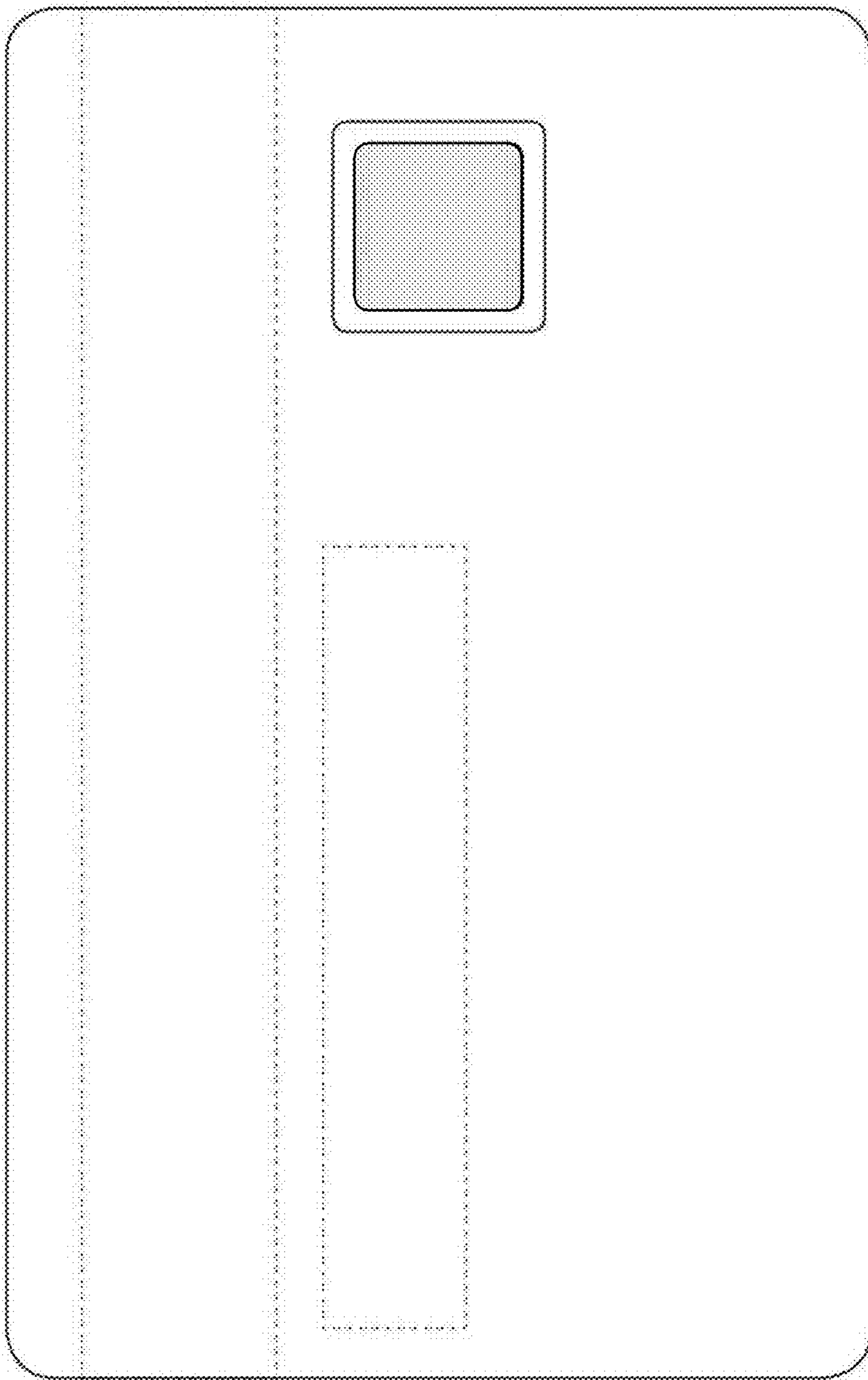
9.3



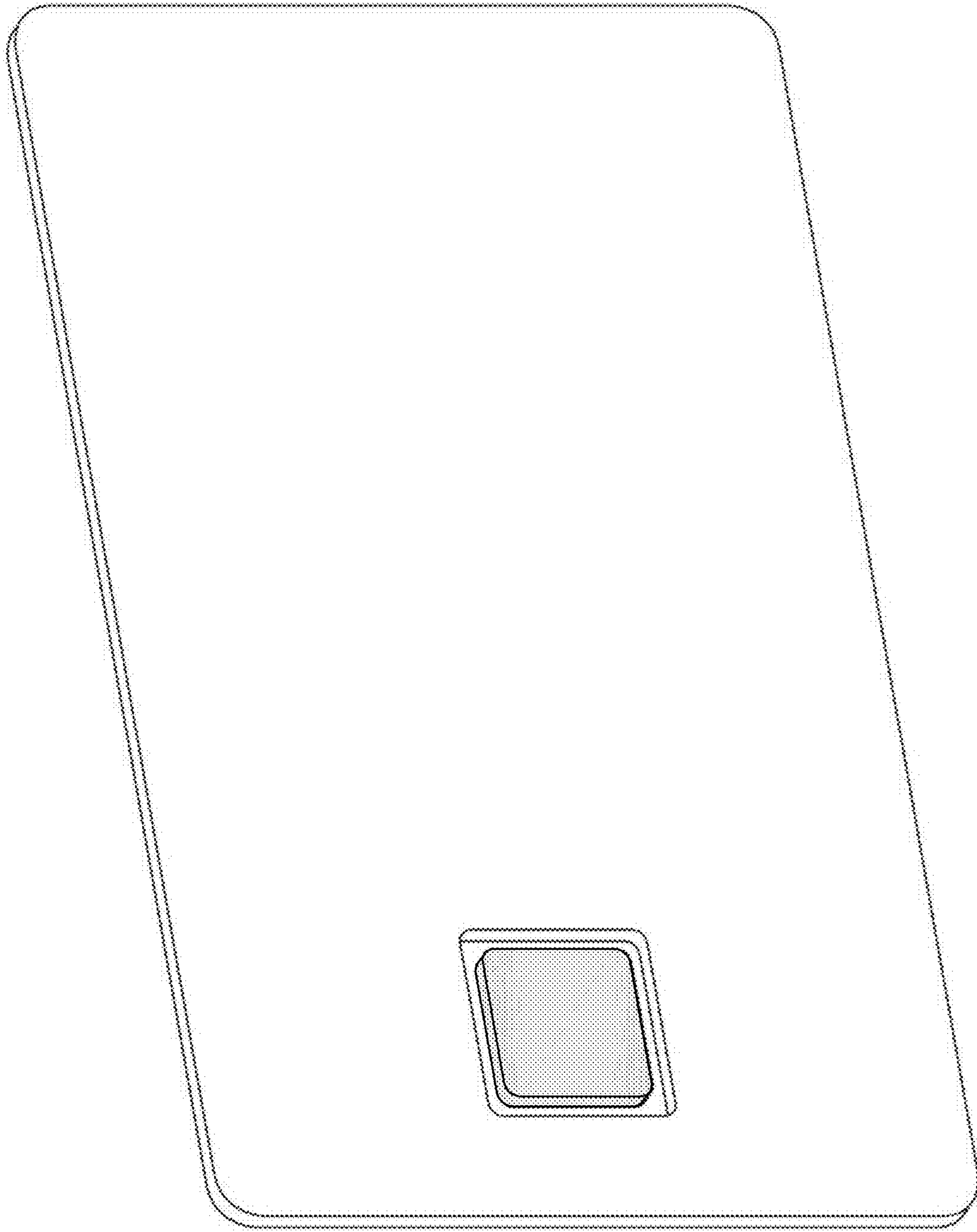
9.4



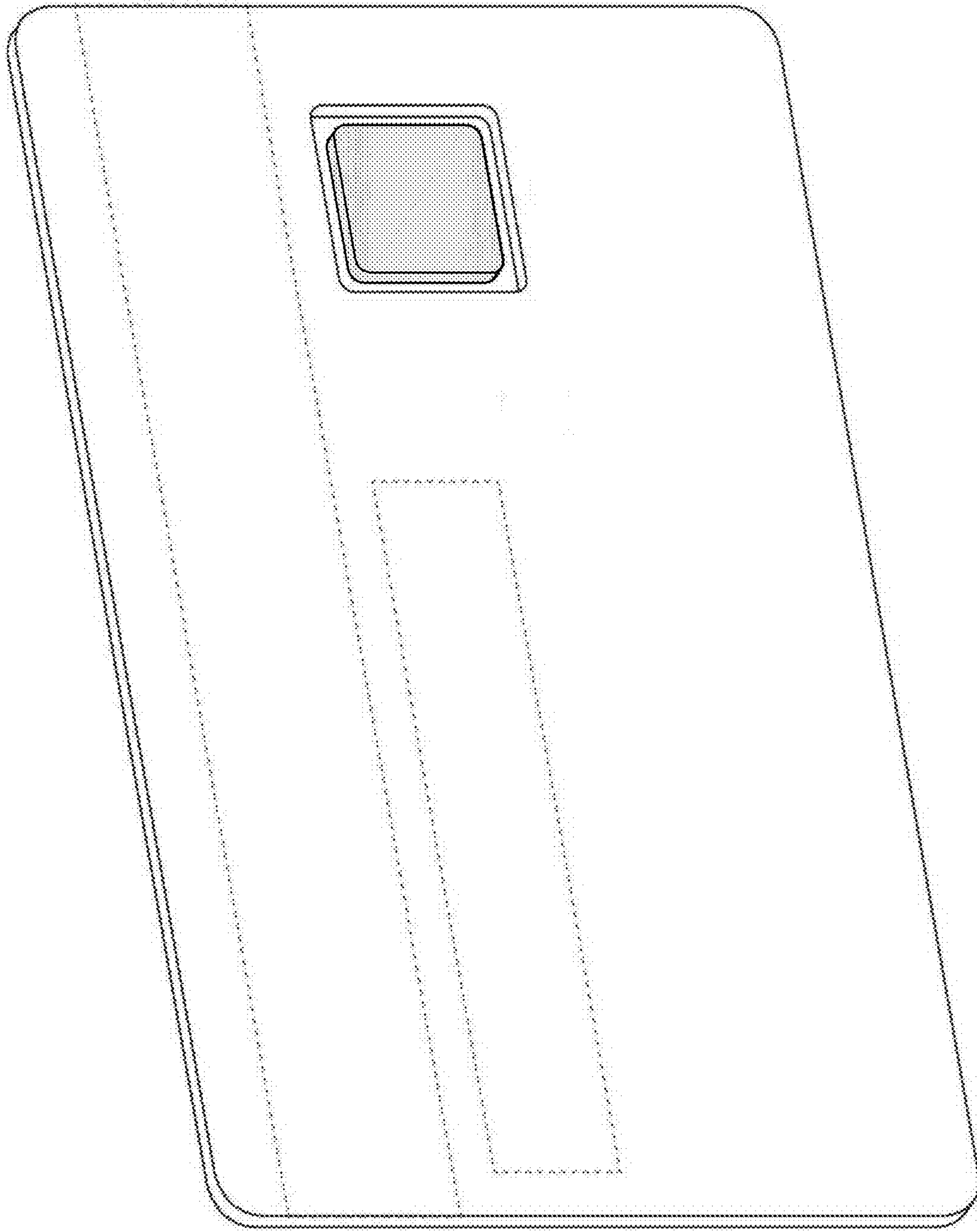
10.1



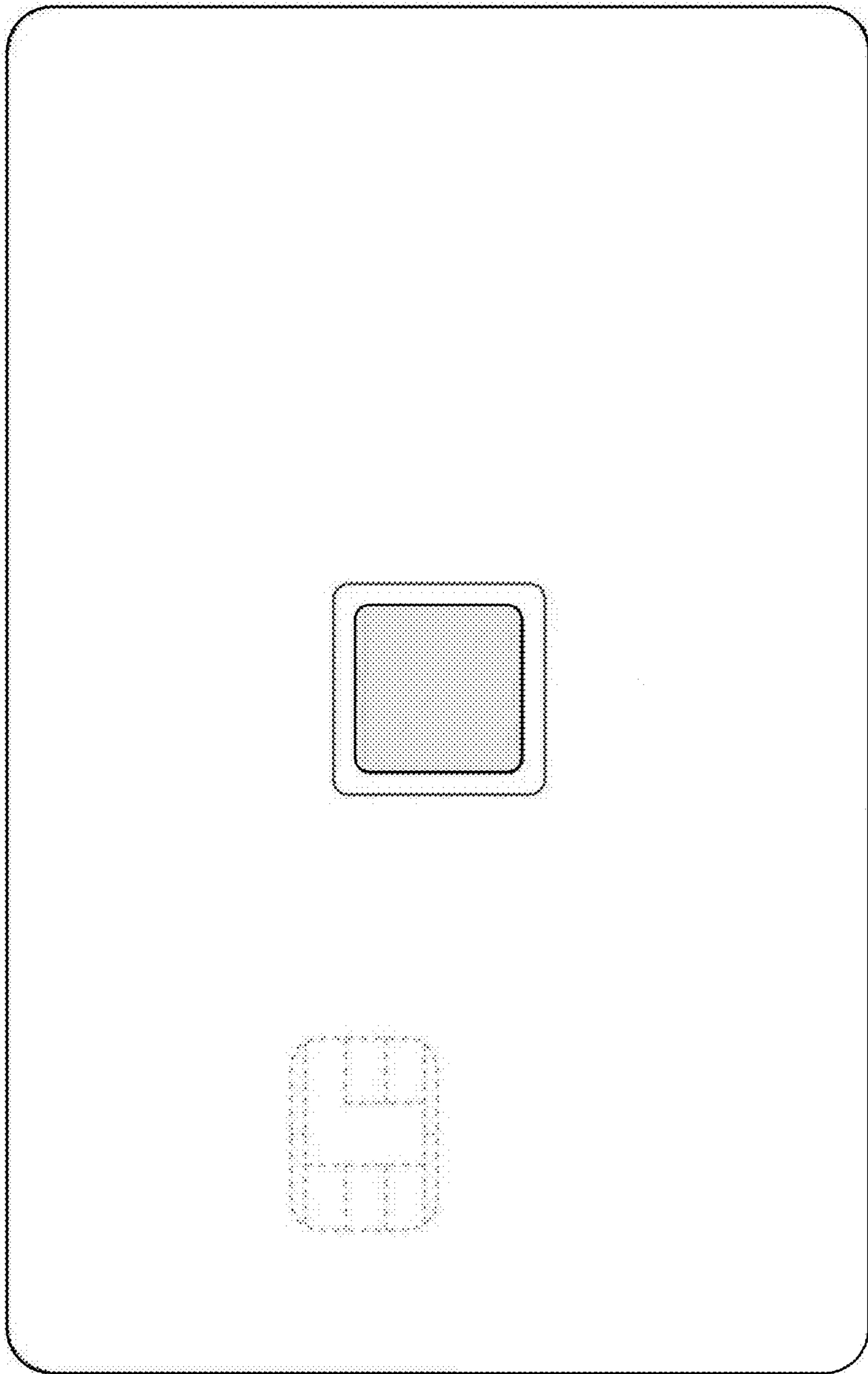
10.2



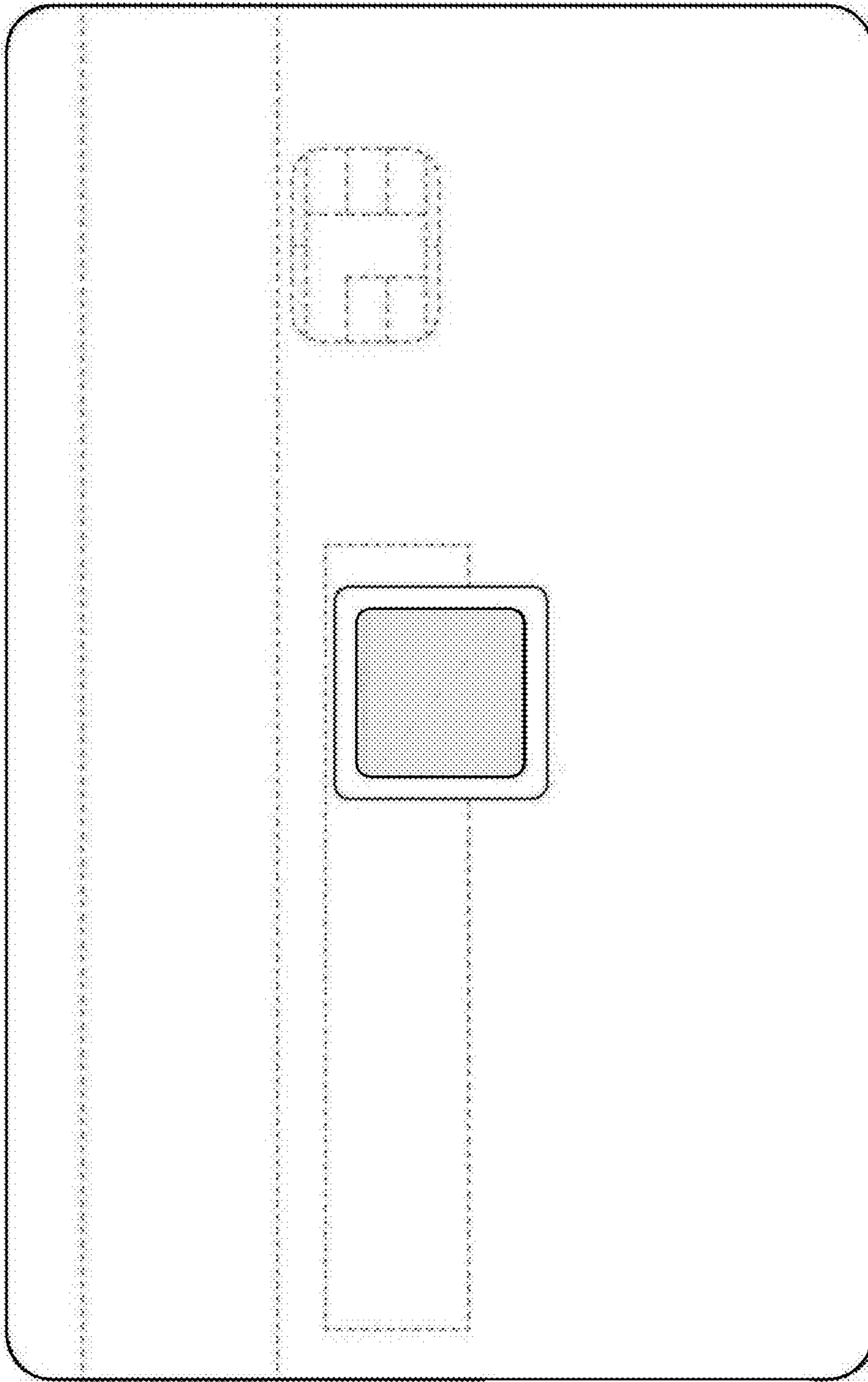
10.3



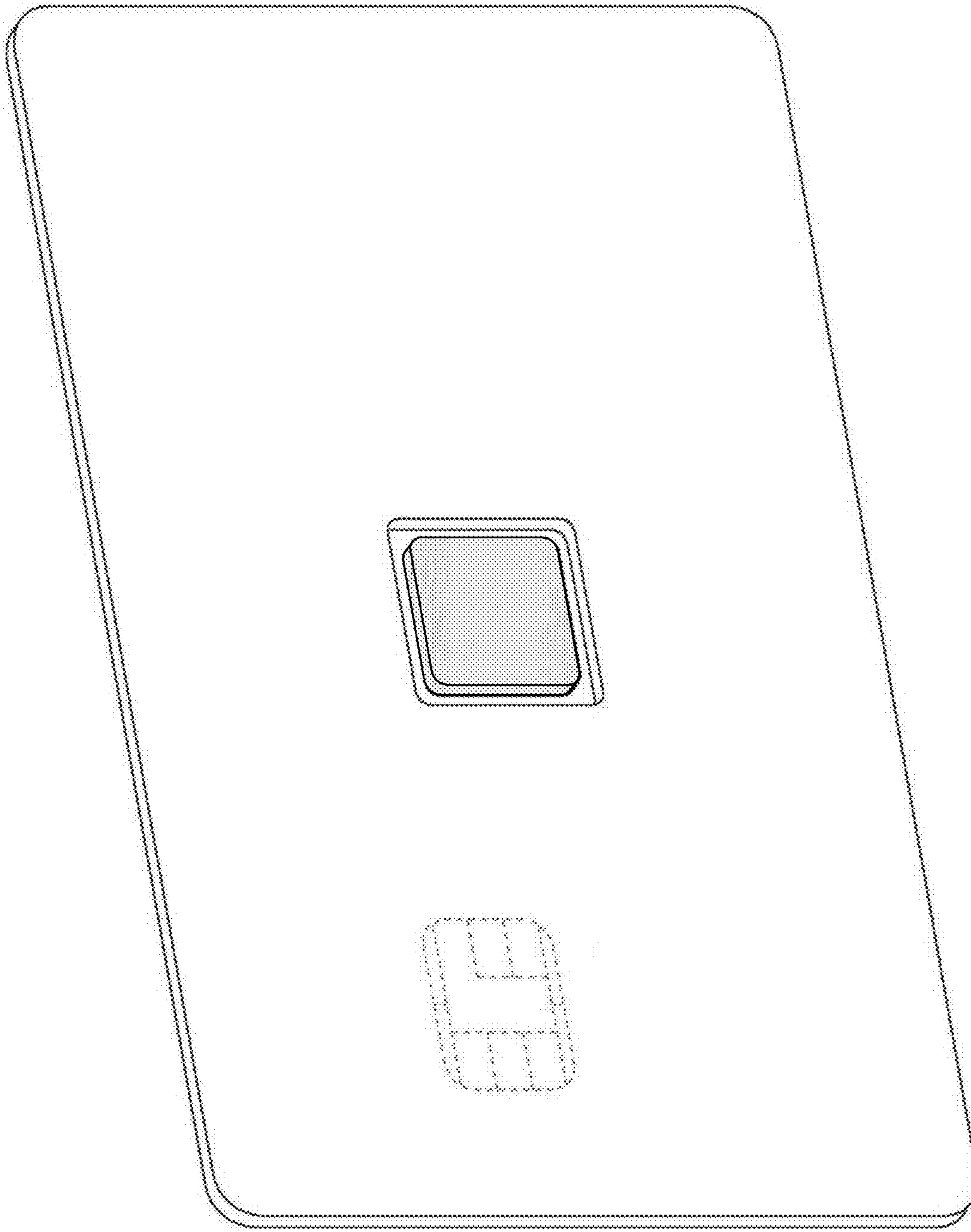
10.4



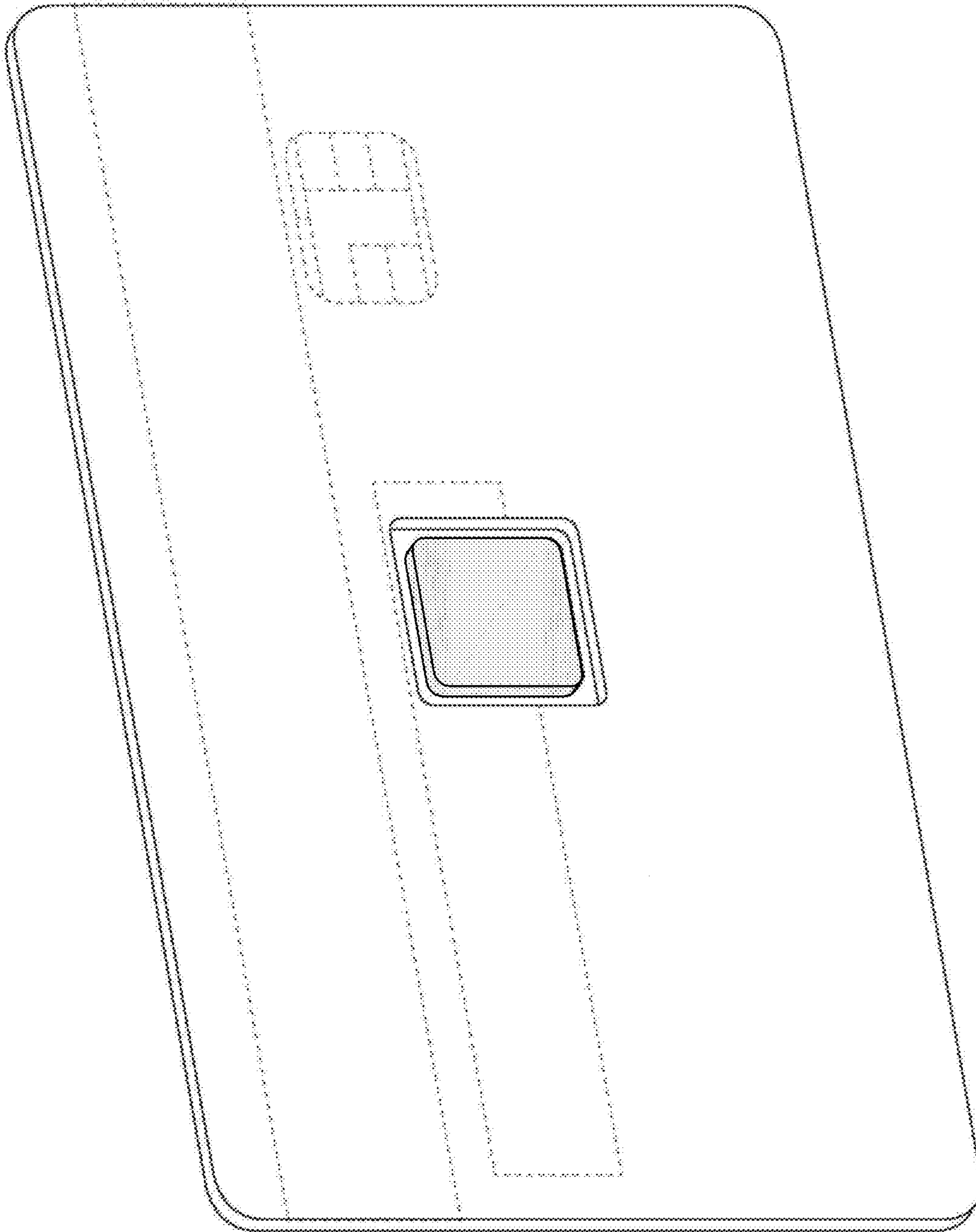
11.1



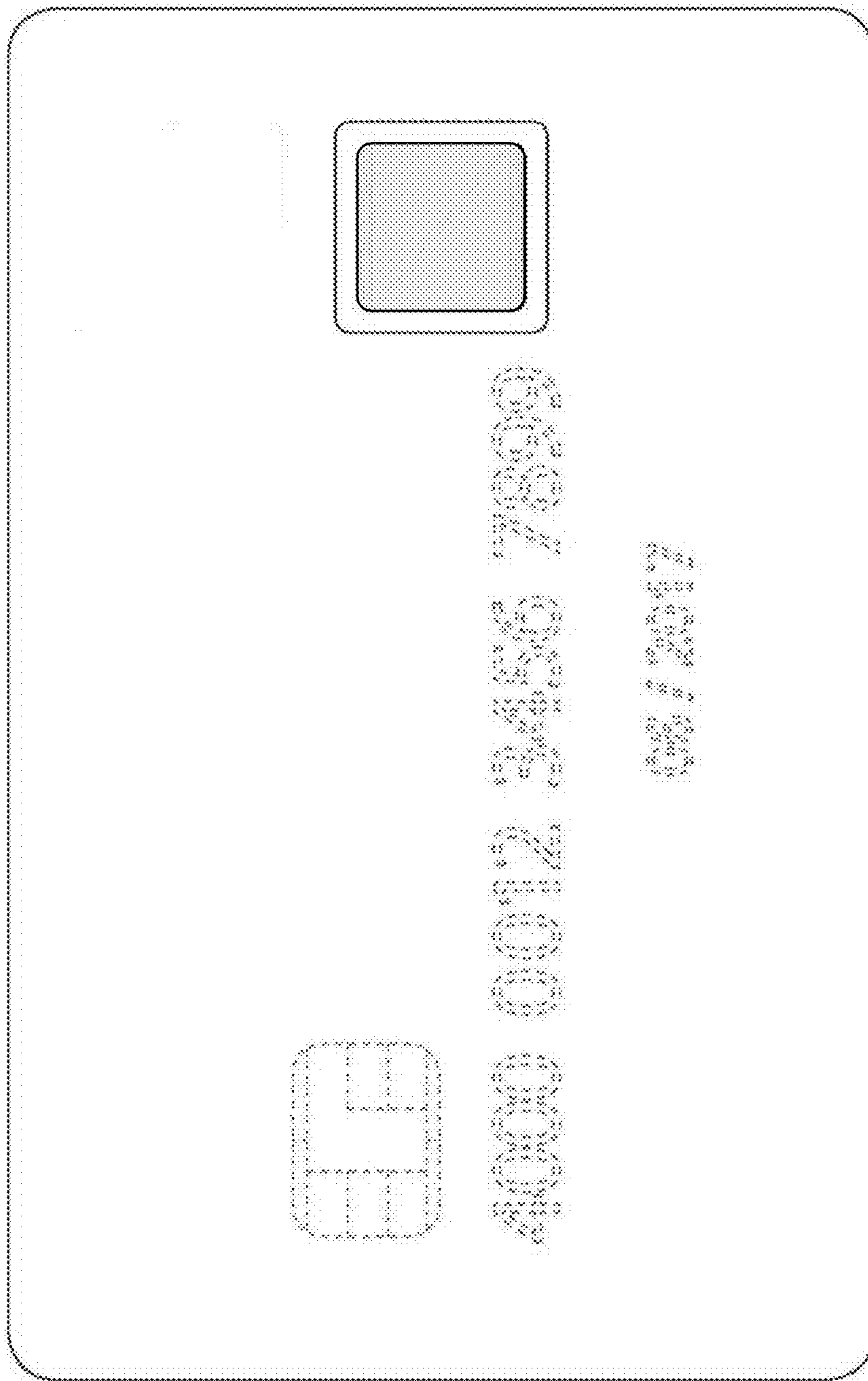
11.2



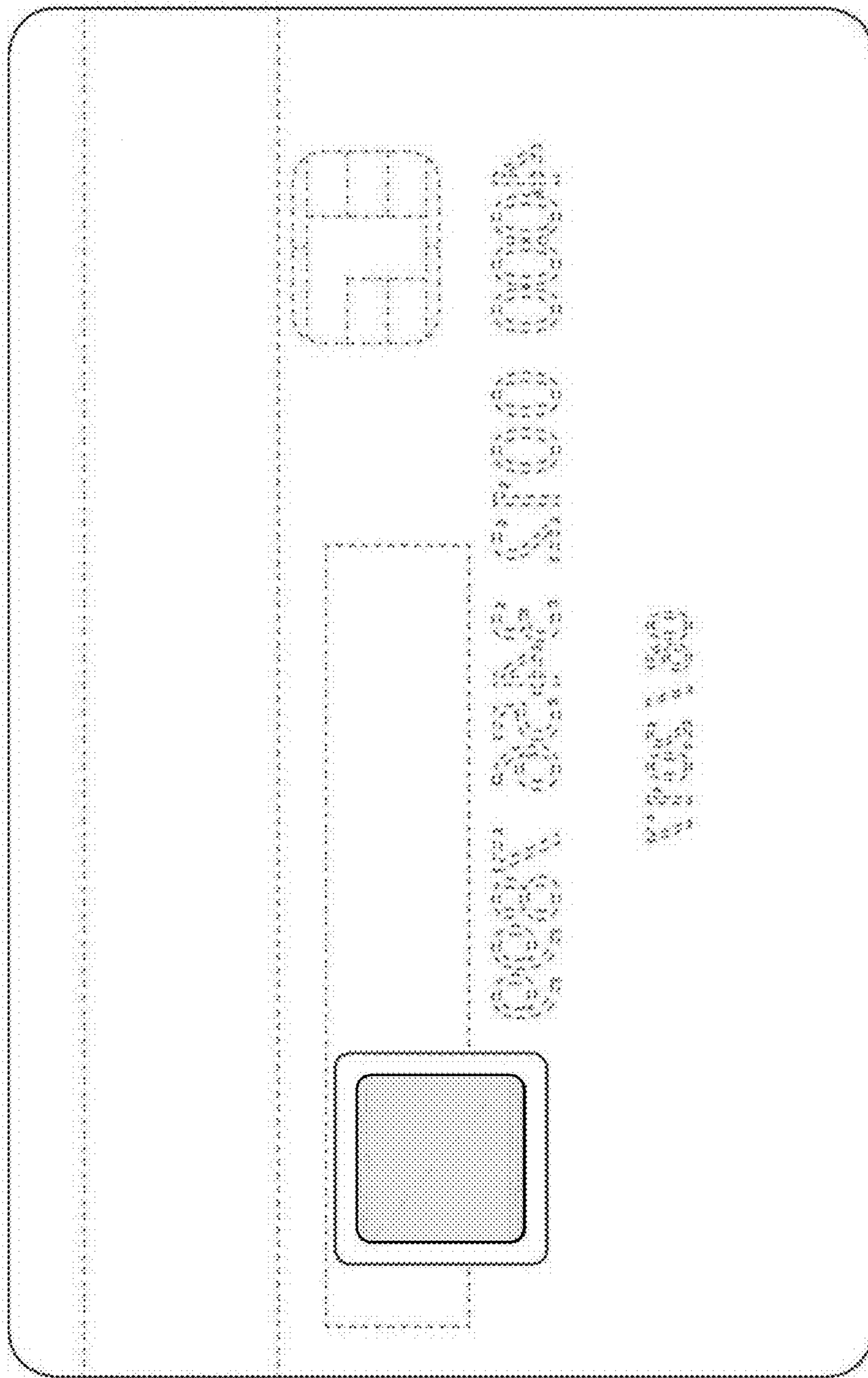
11.3



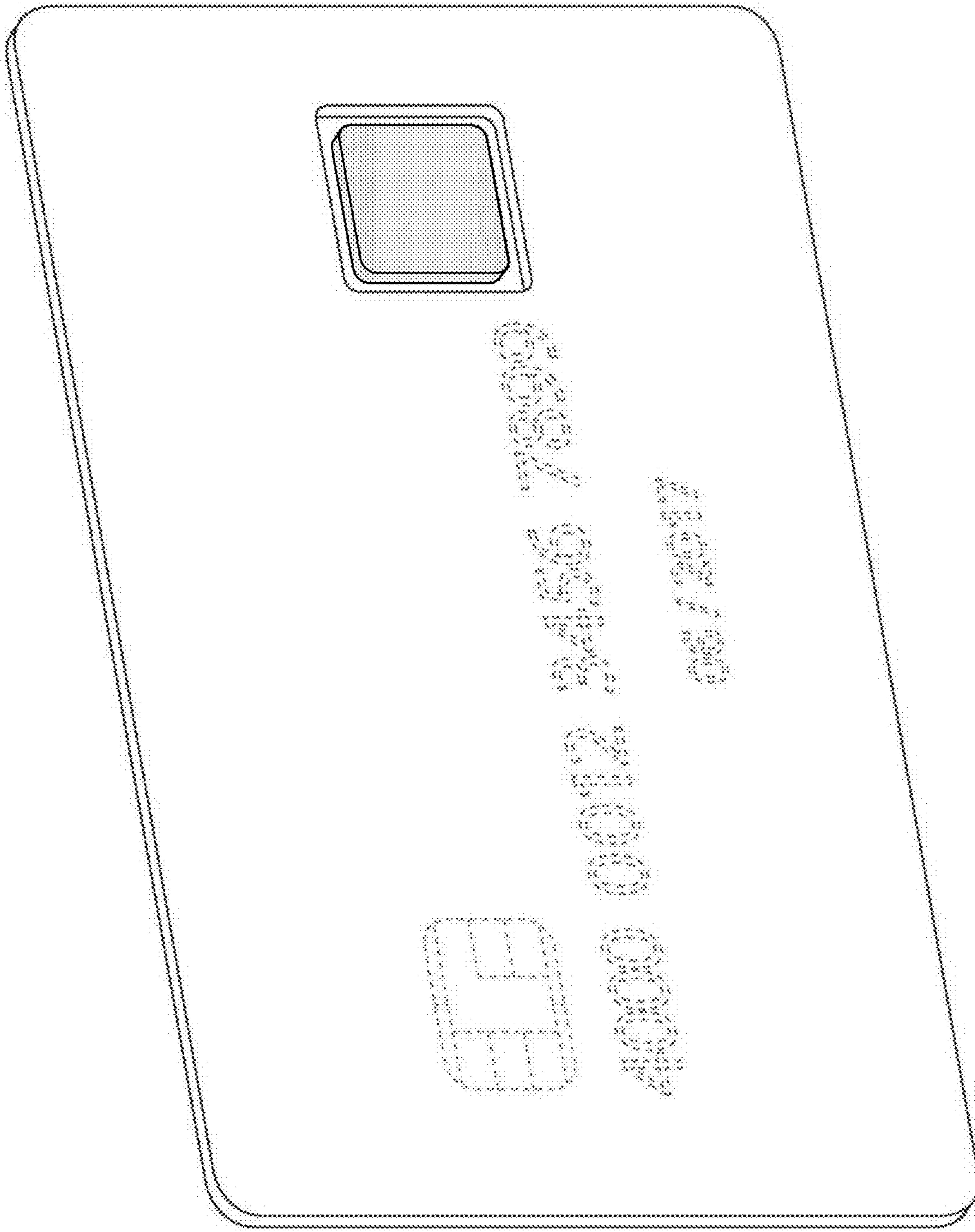
11.4



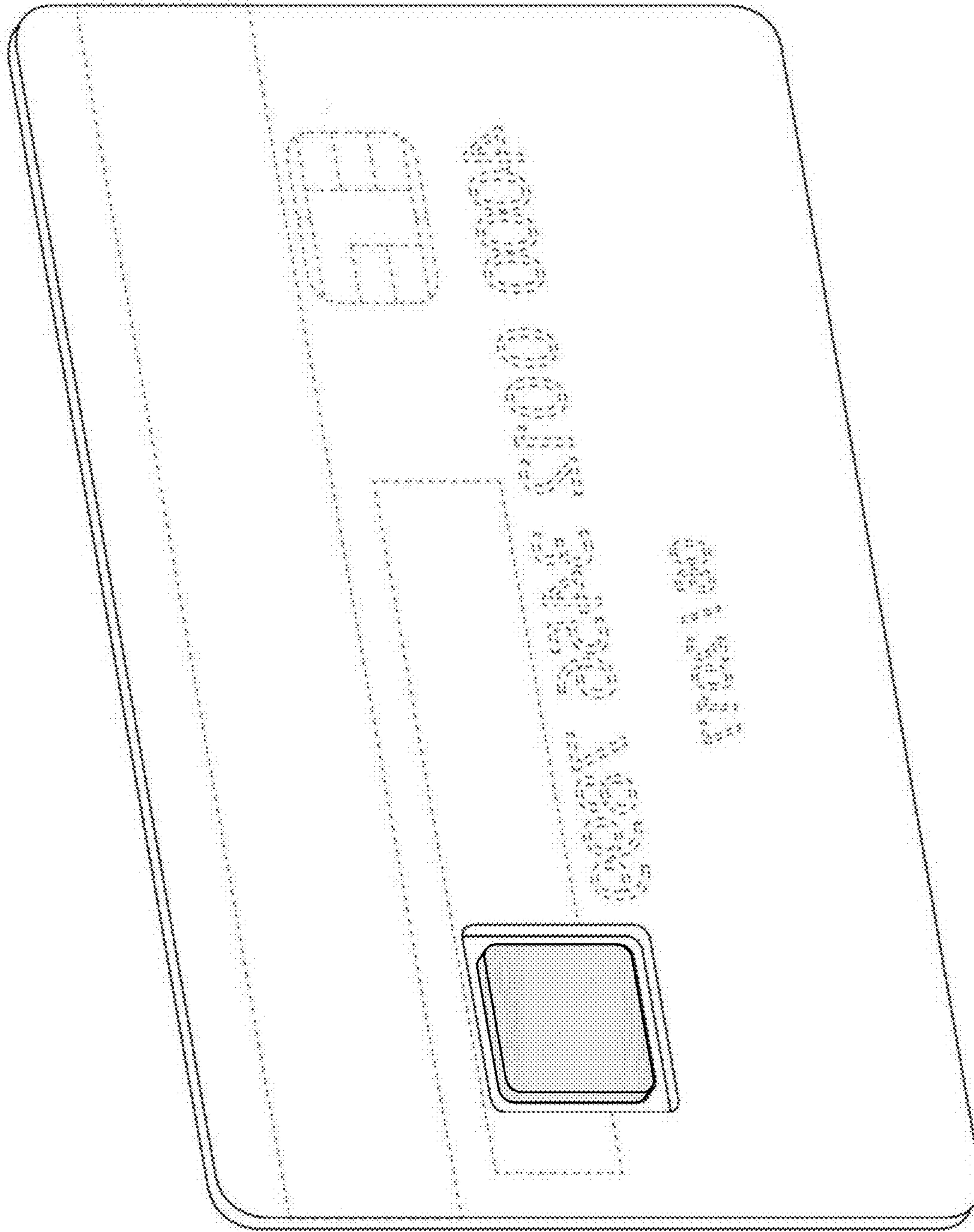
12.1



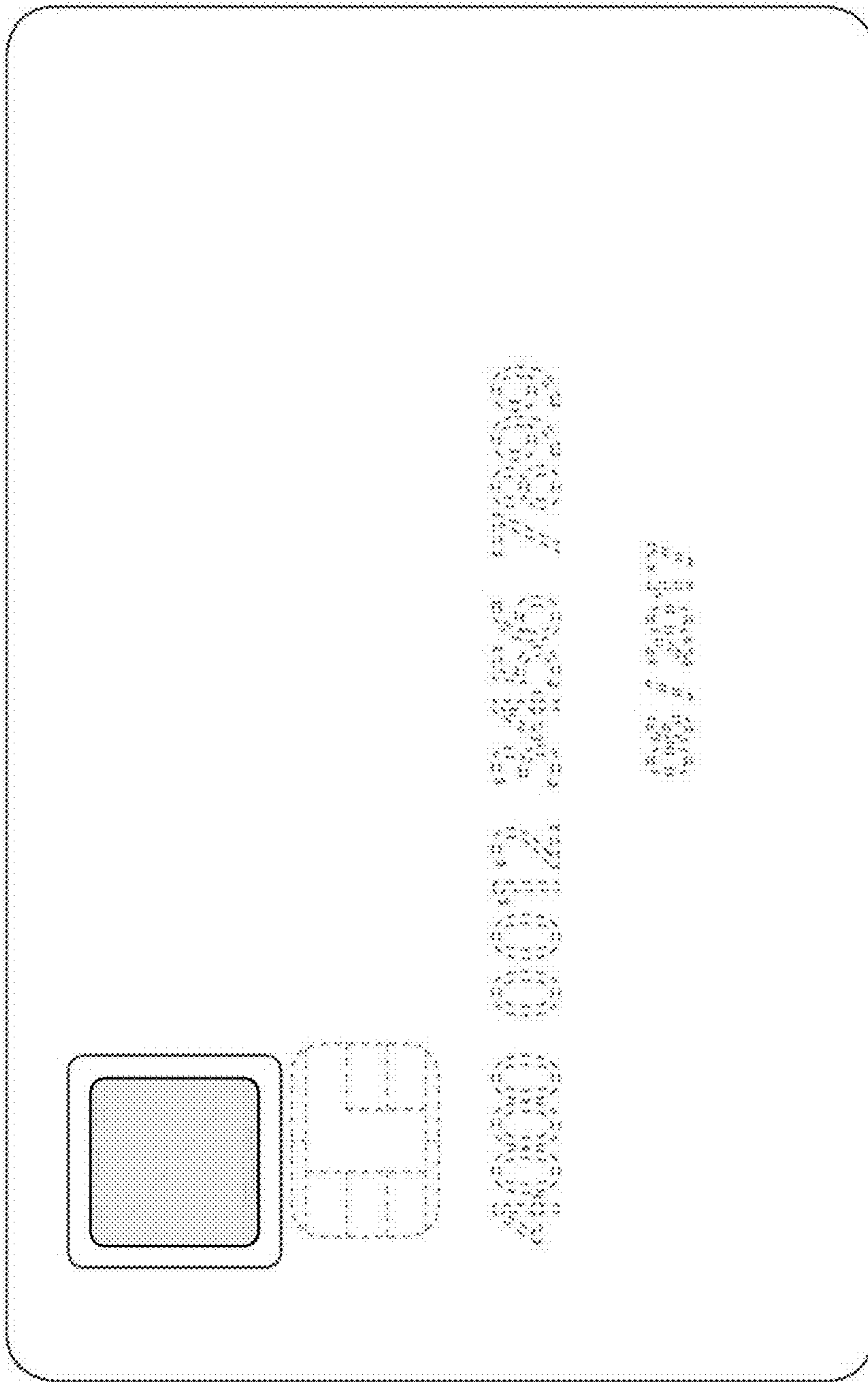
12.2



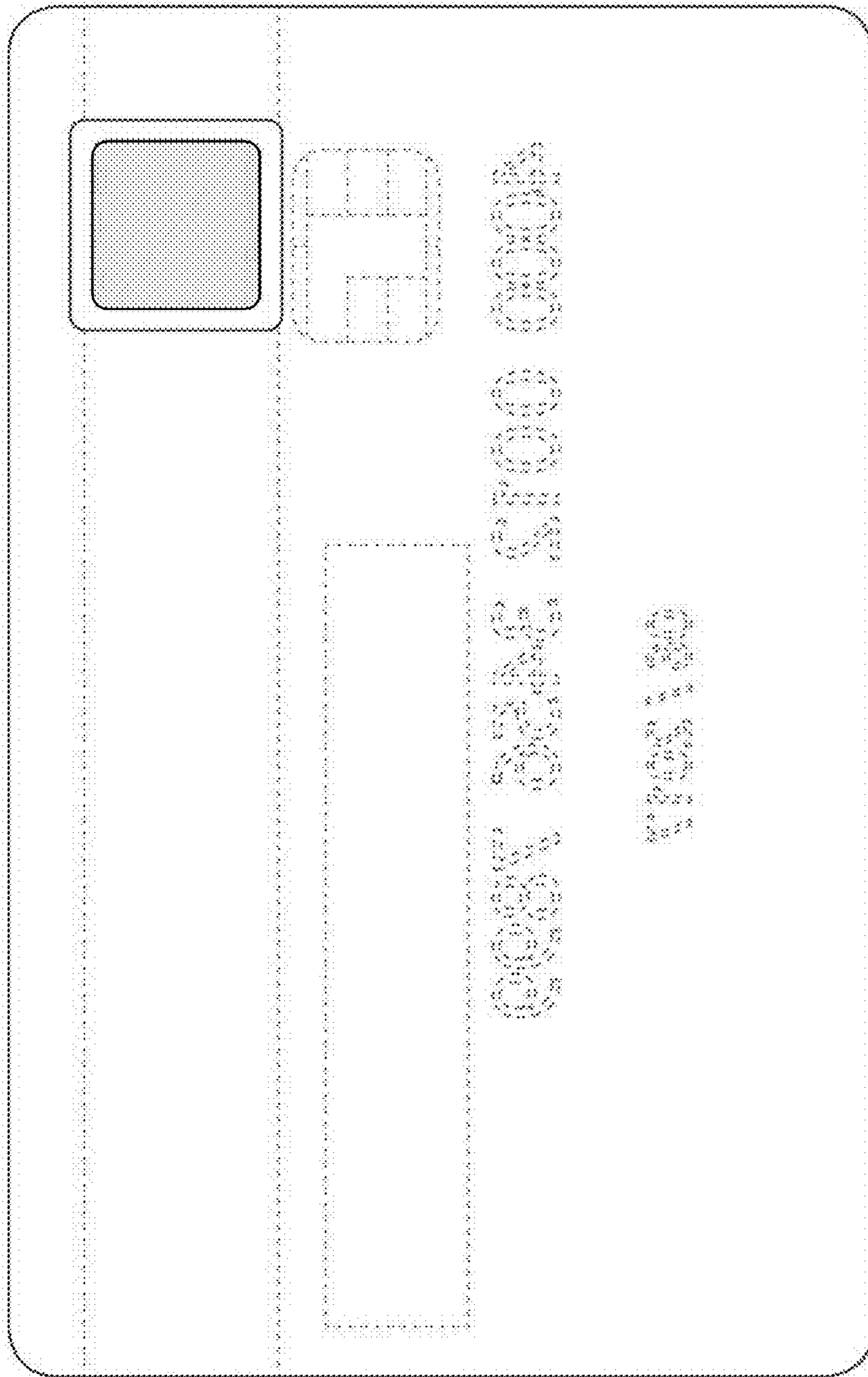
12.3



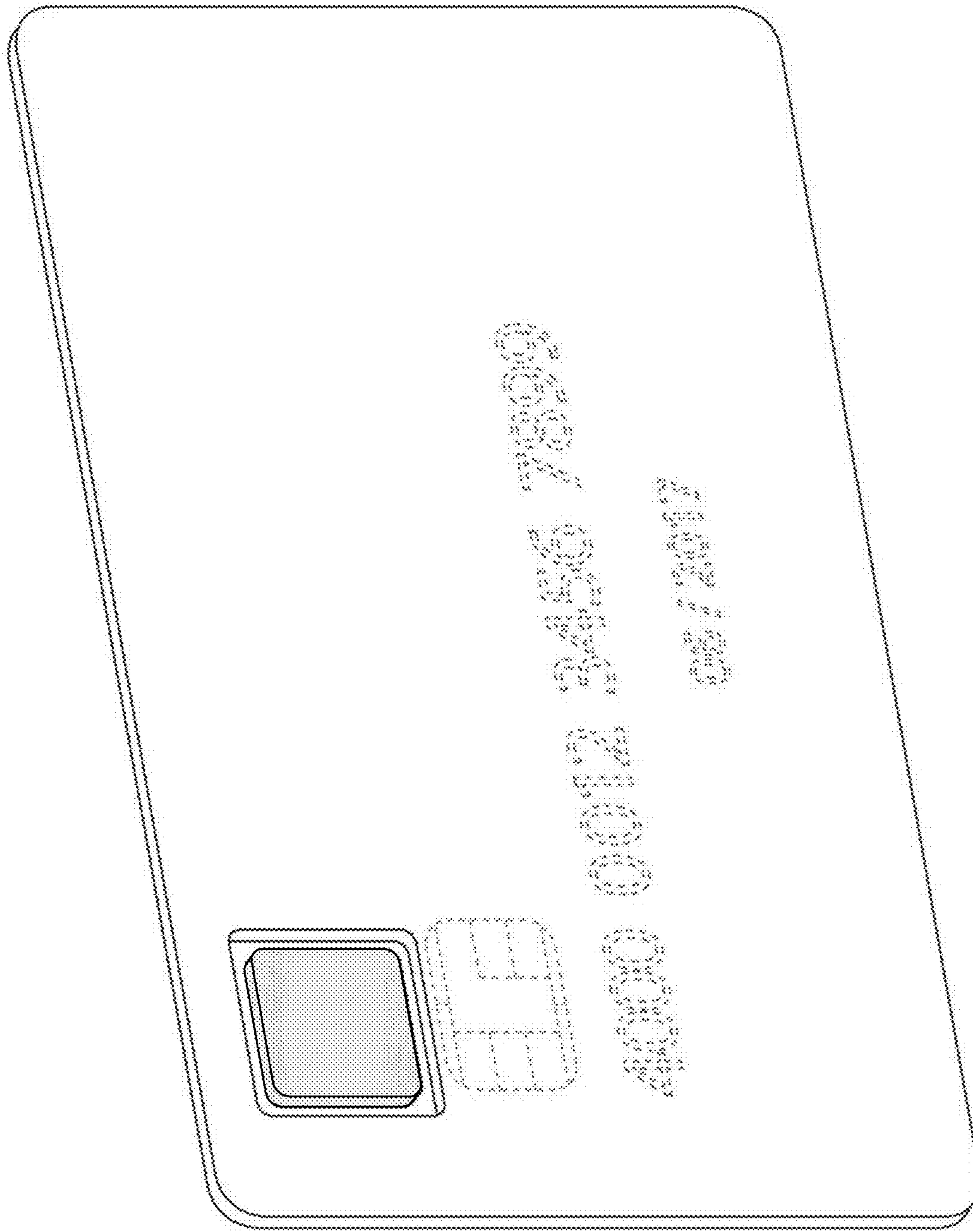
12.4



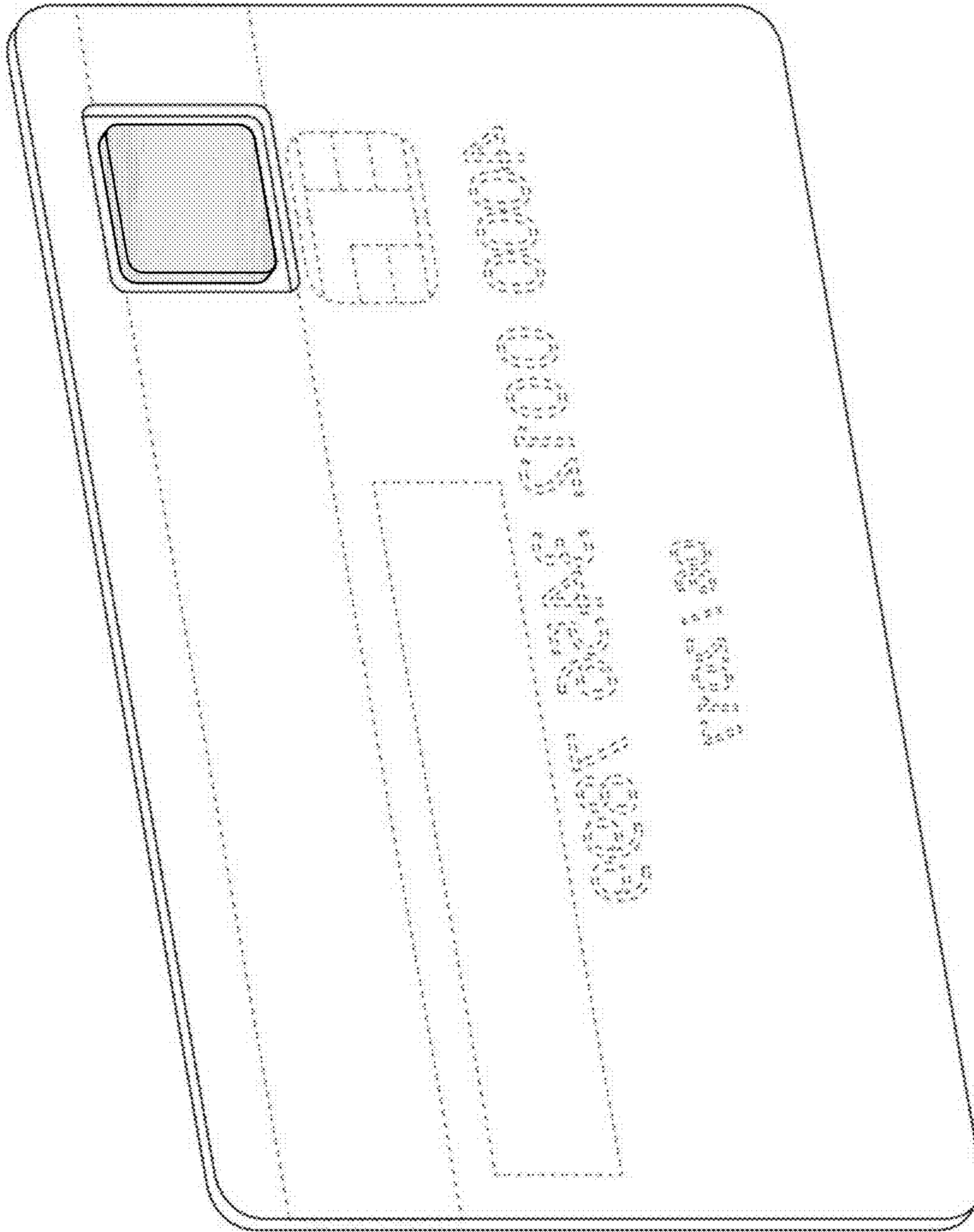
13.1



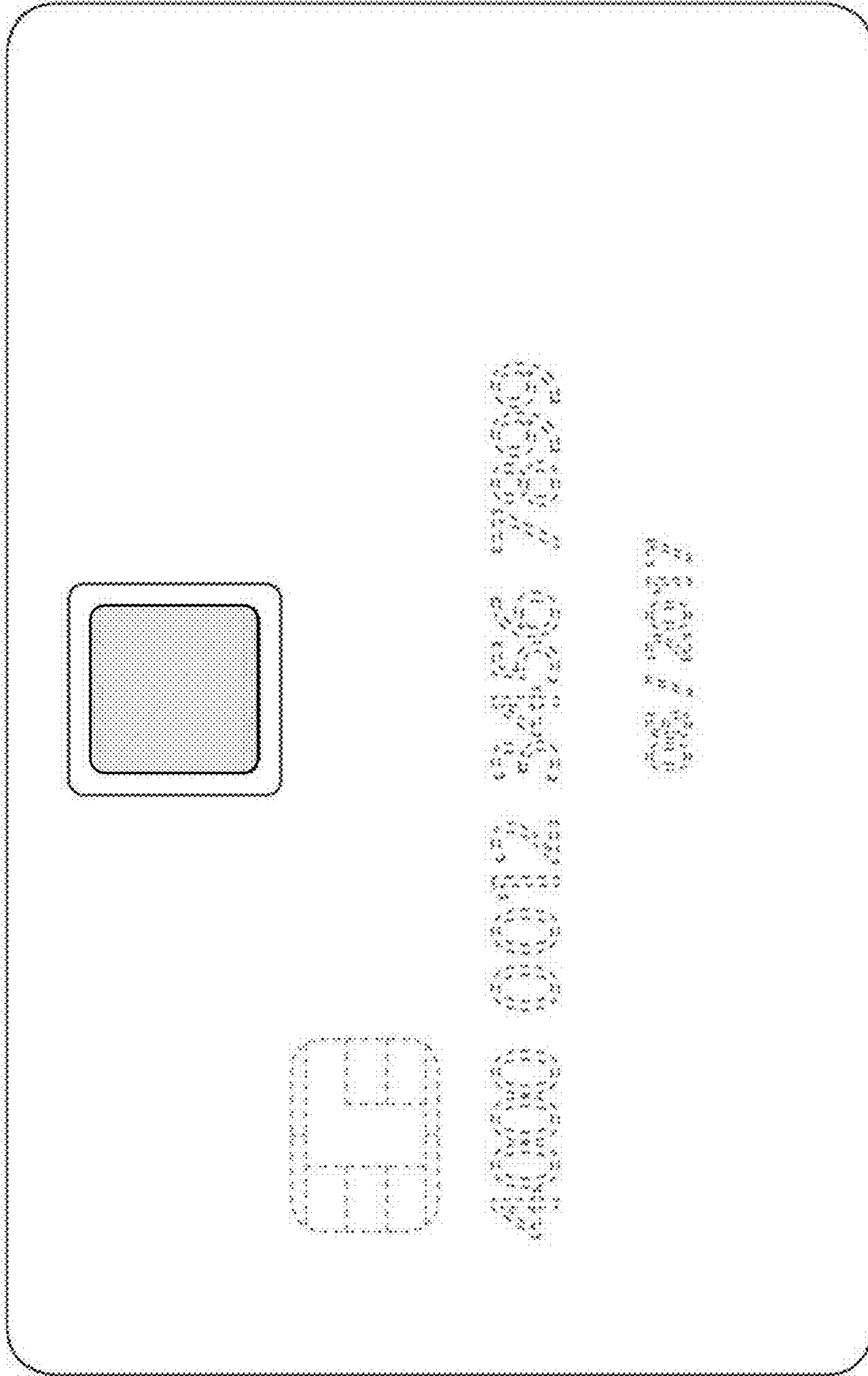
13.2



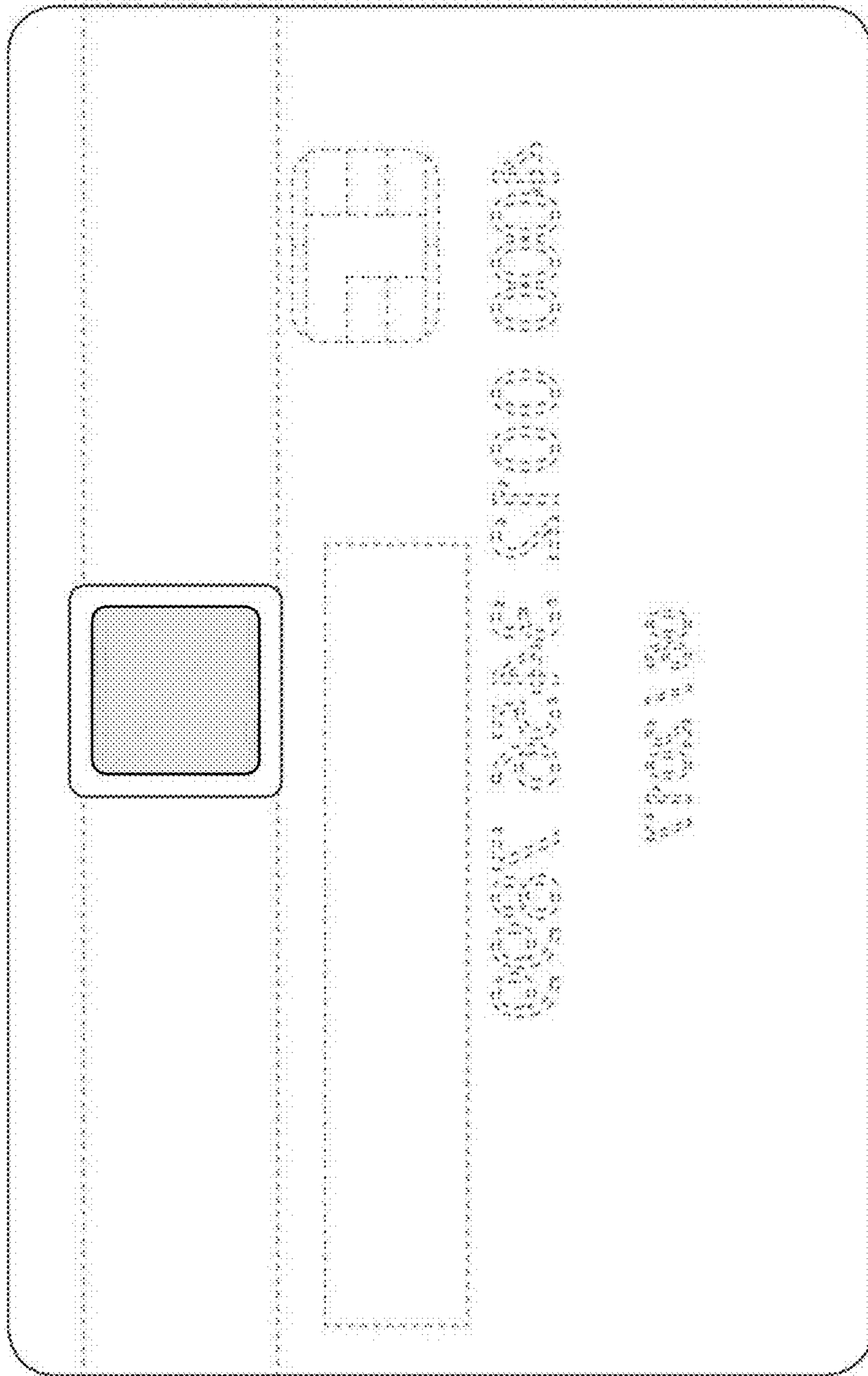
13.3



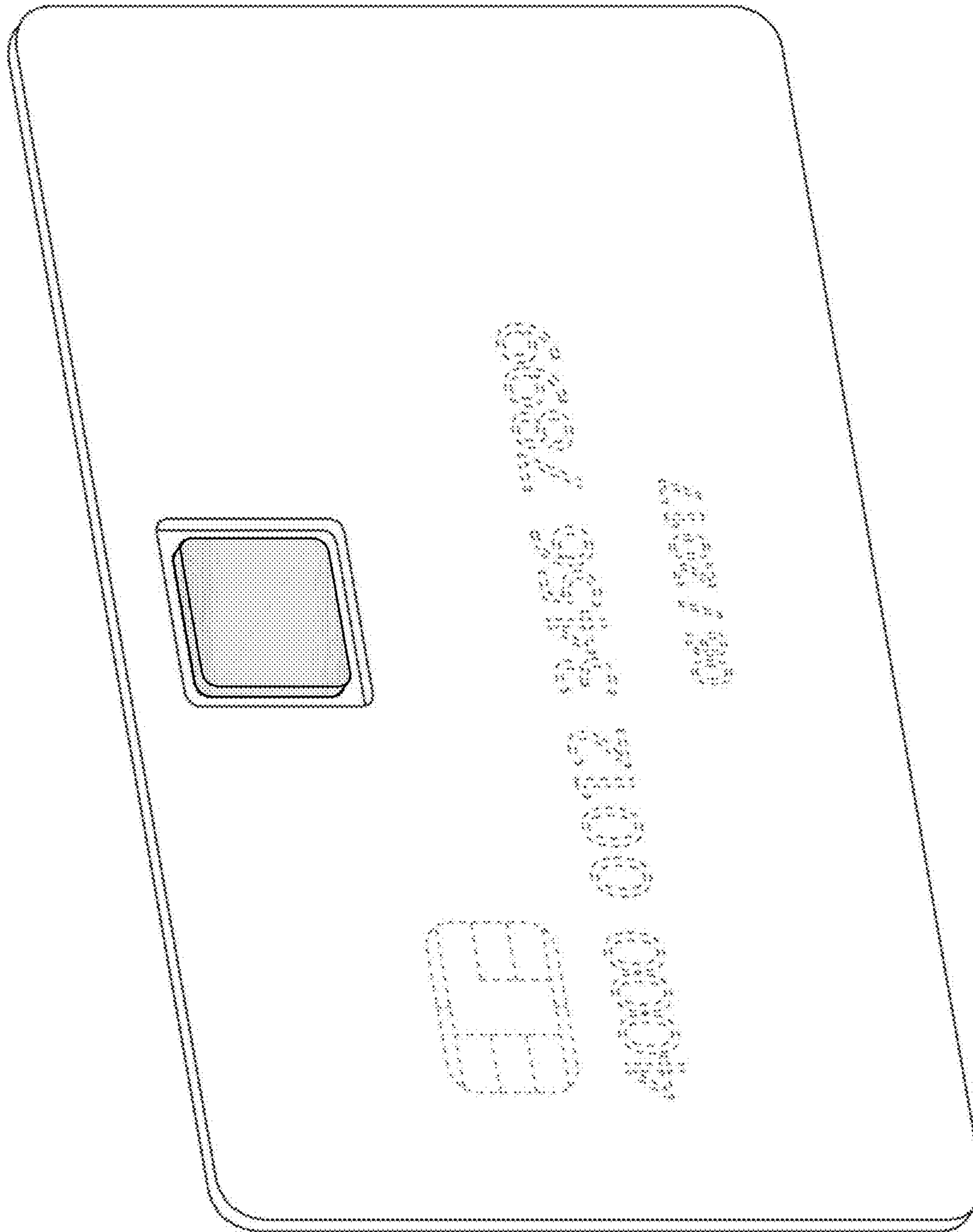
13.4



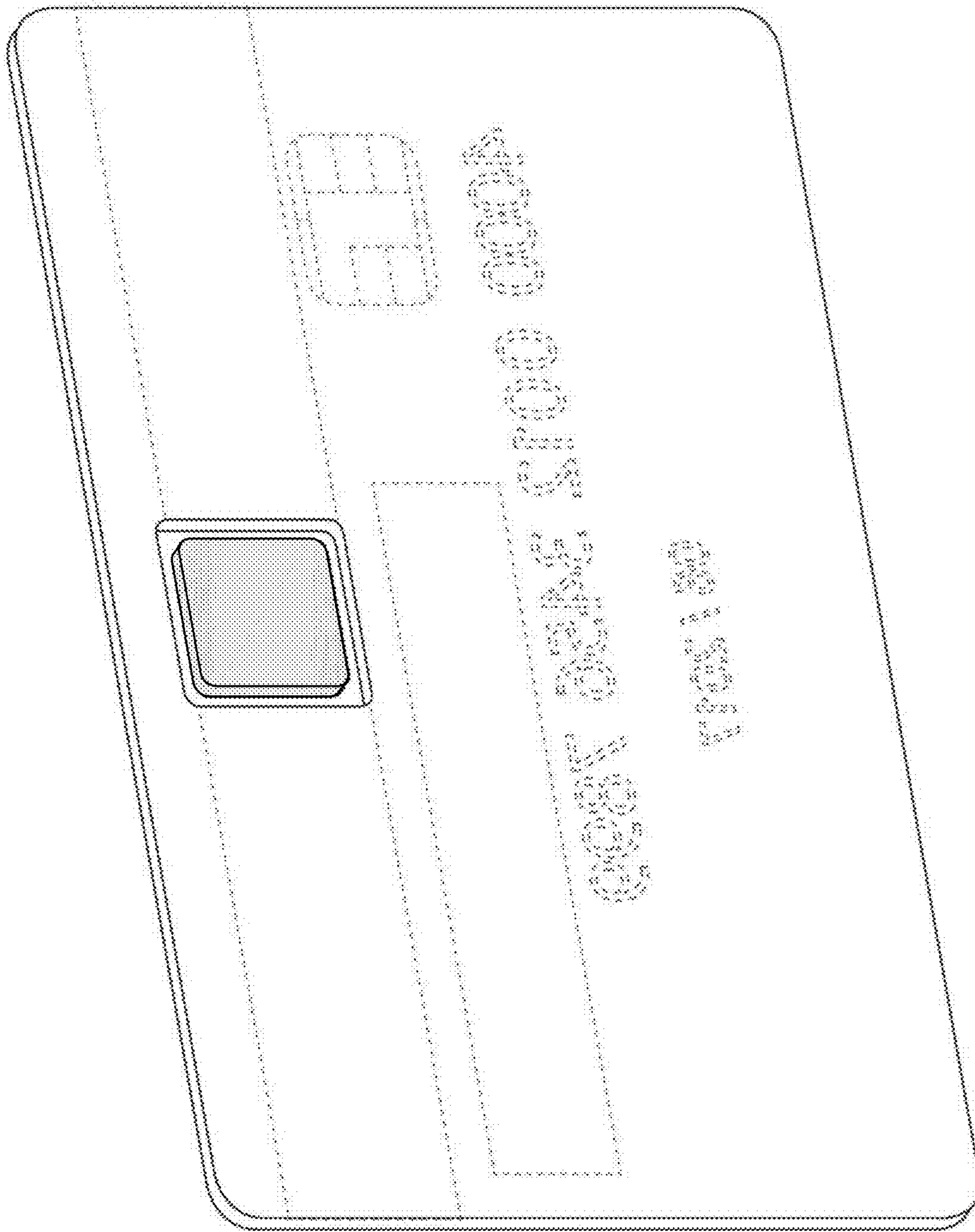
14.1



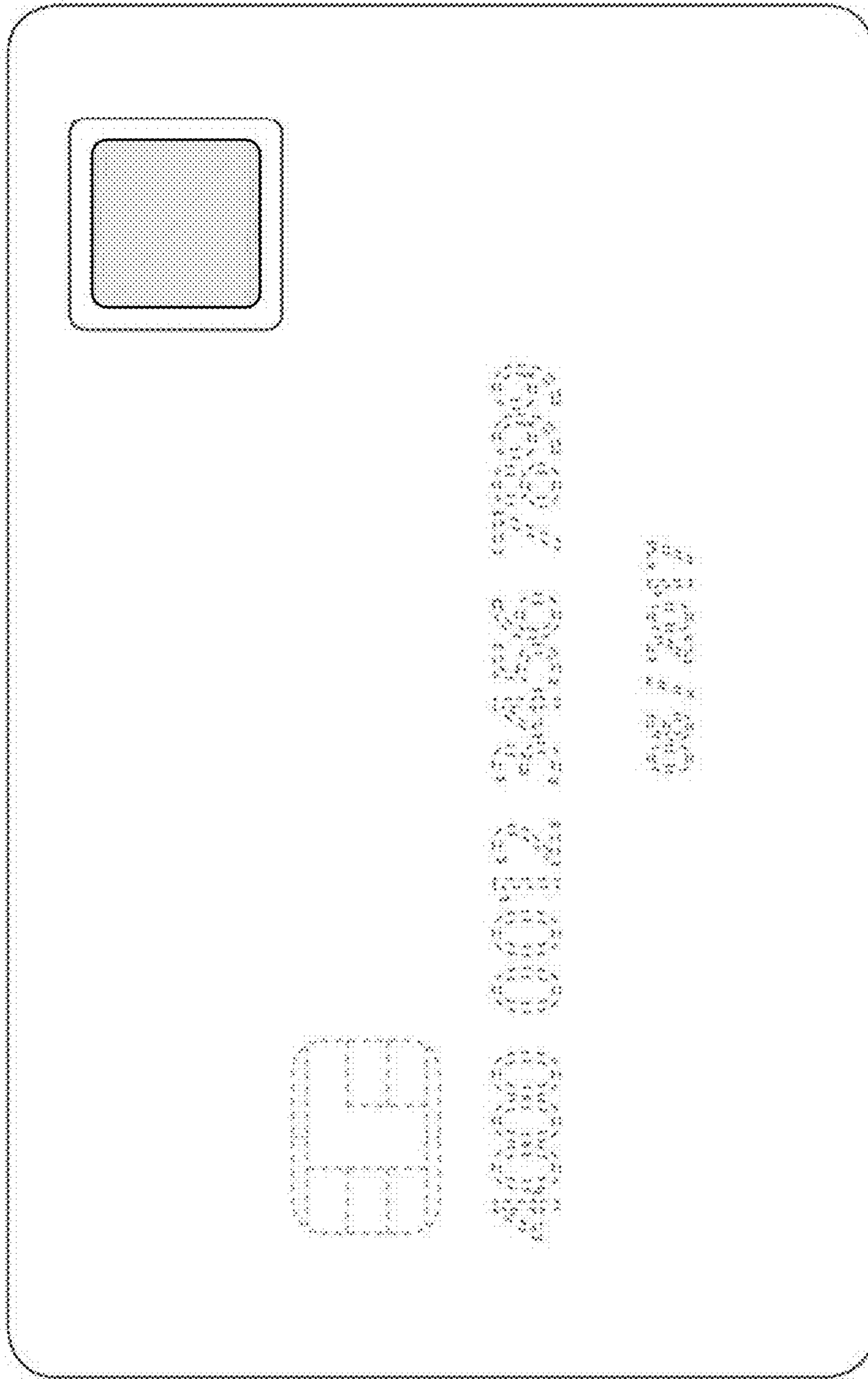
14.2



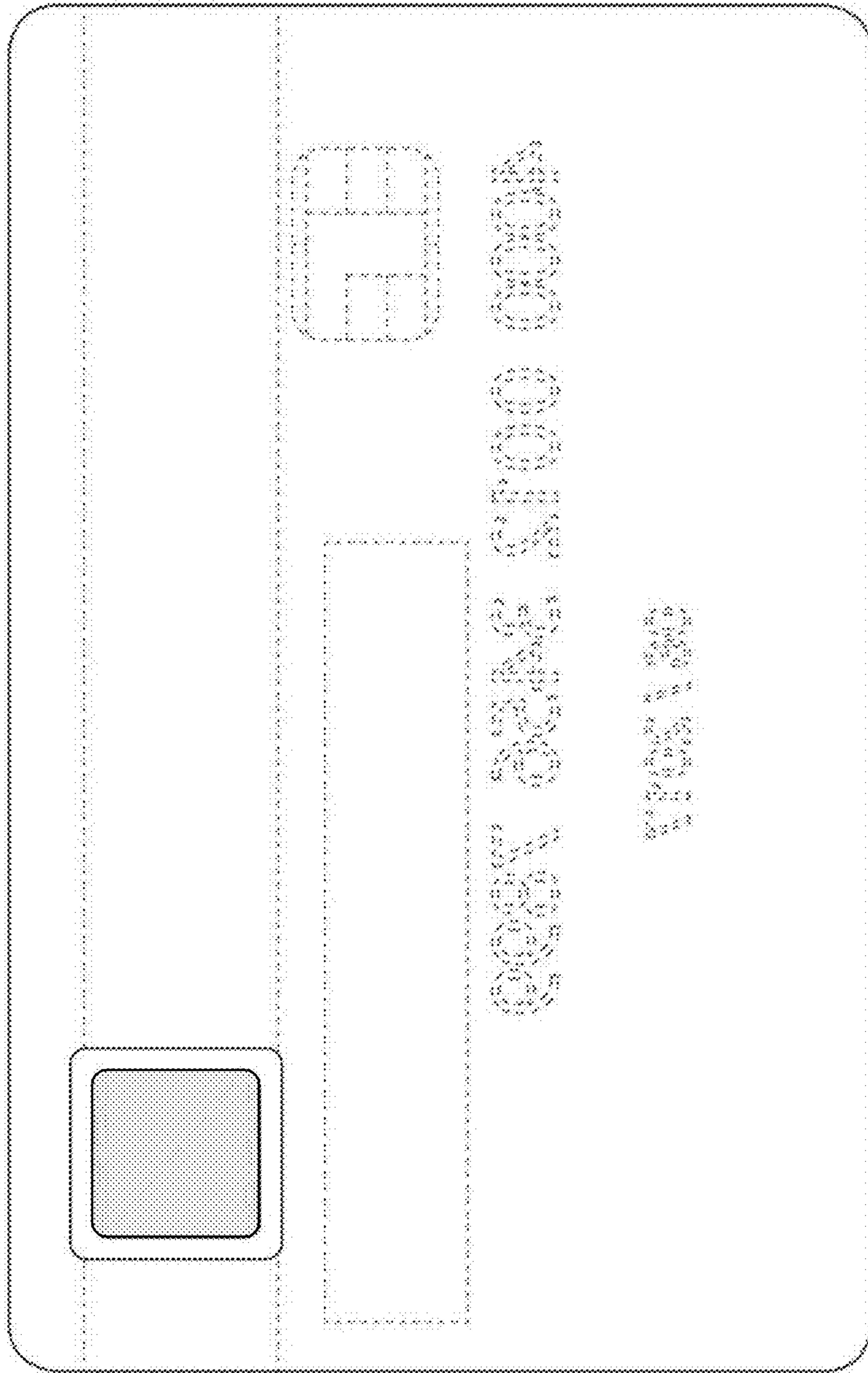
14.3



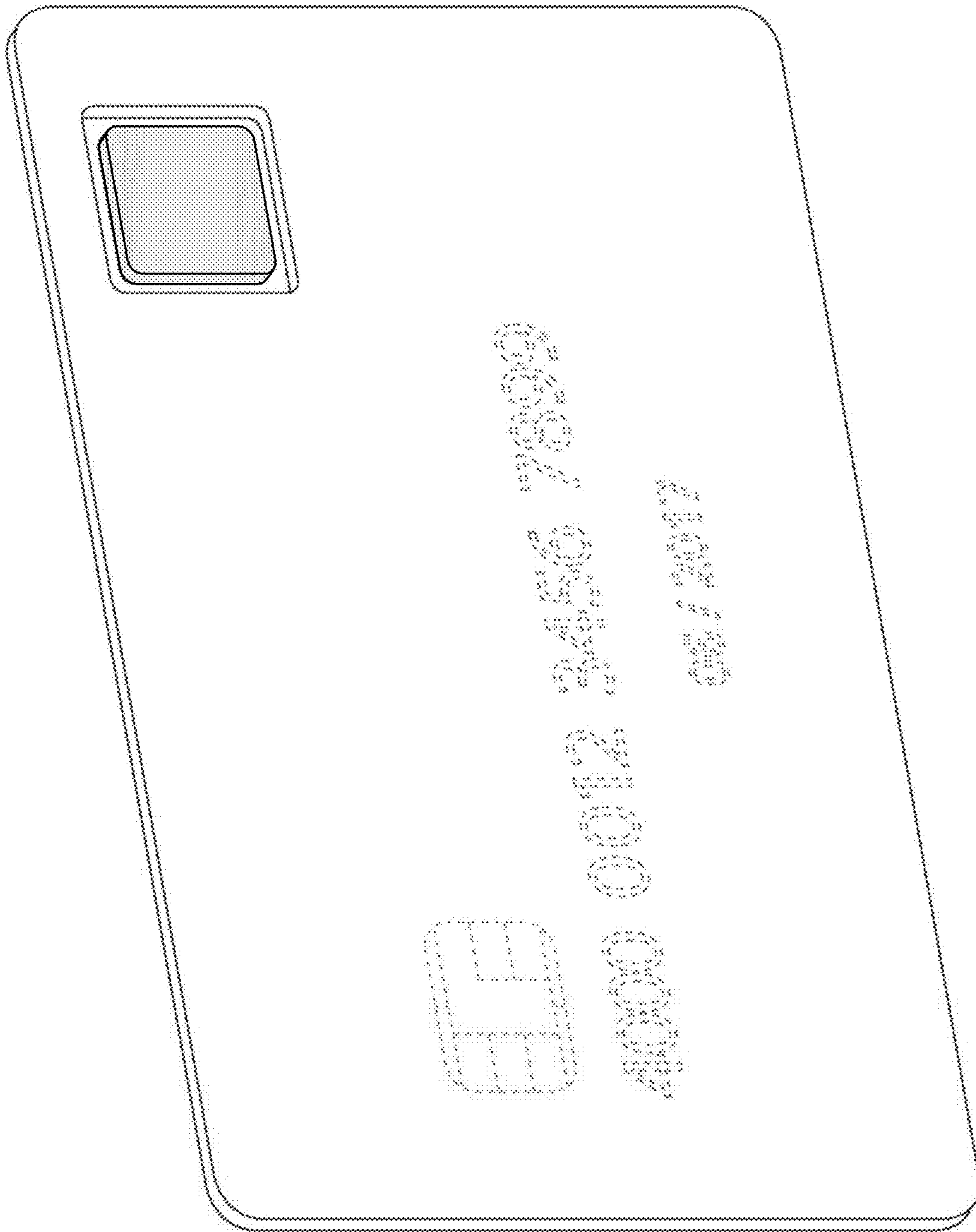
14.4



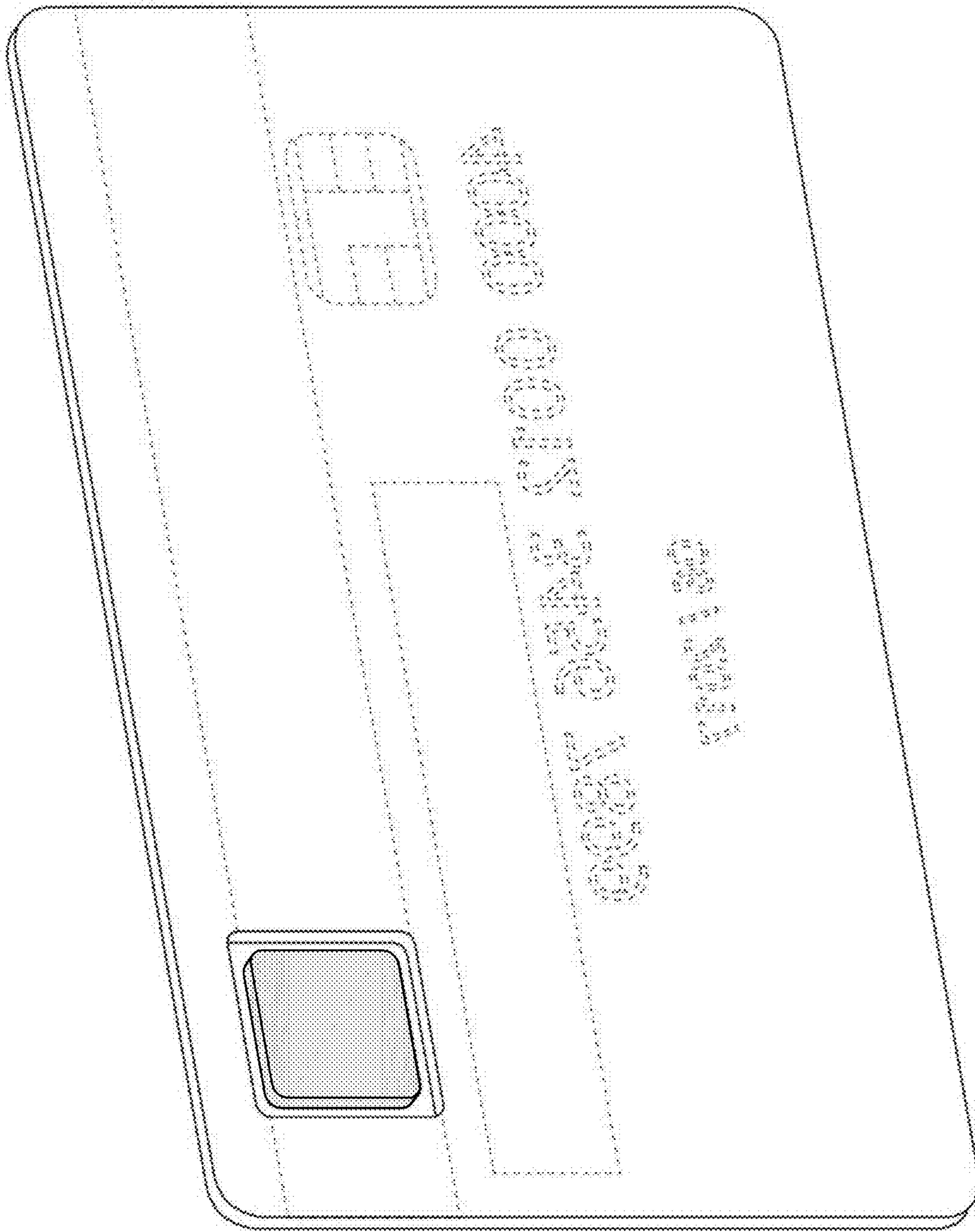
15.1



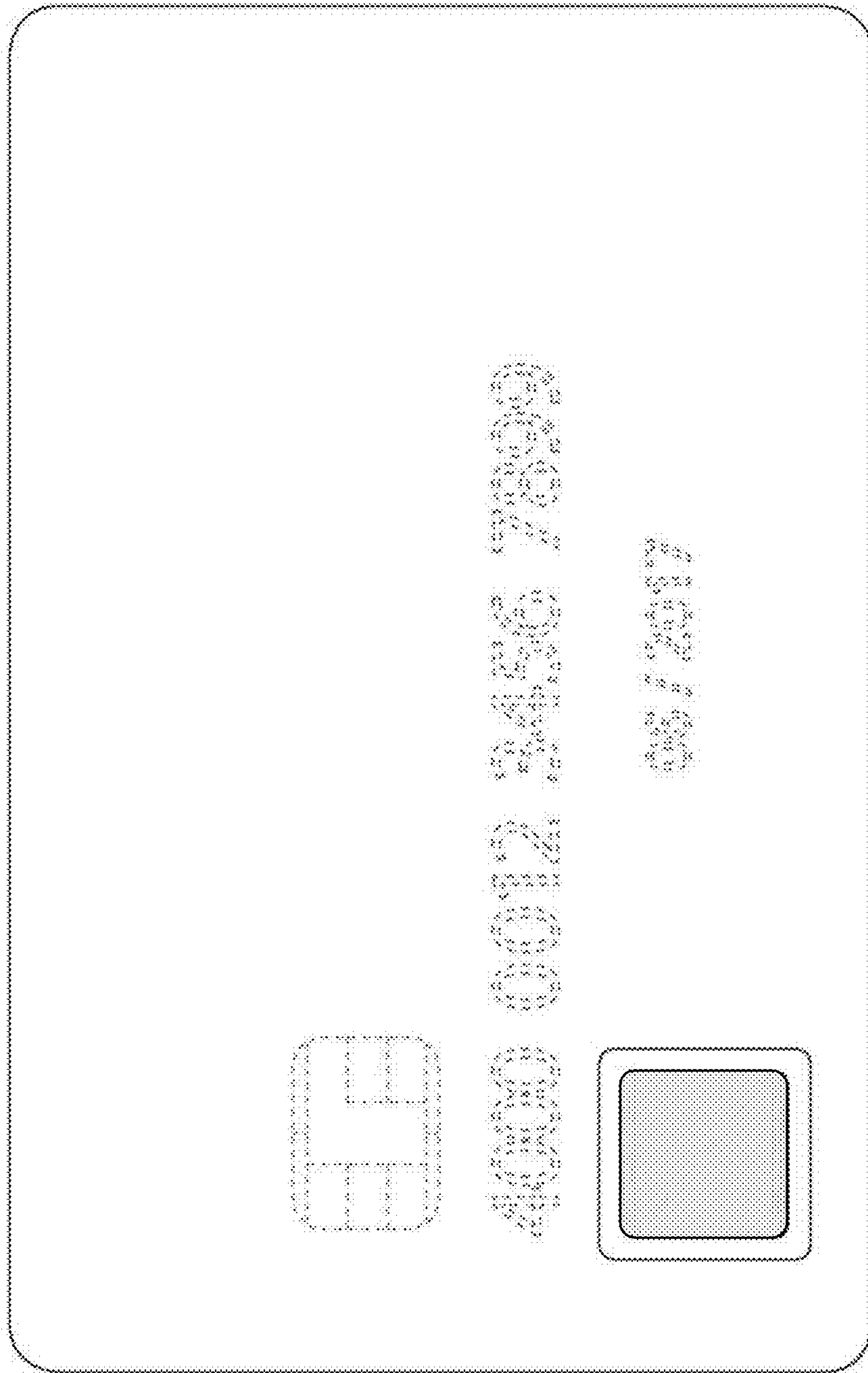
15.2



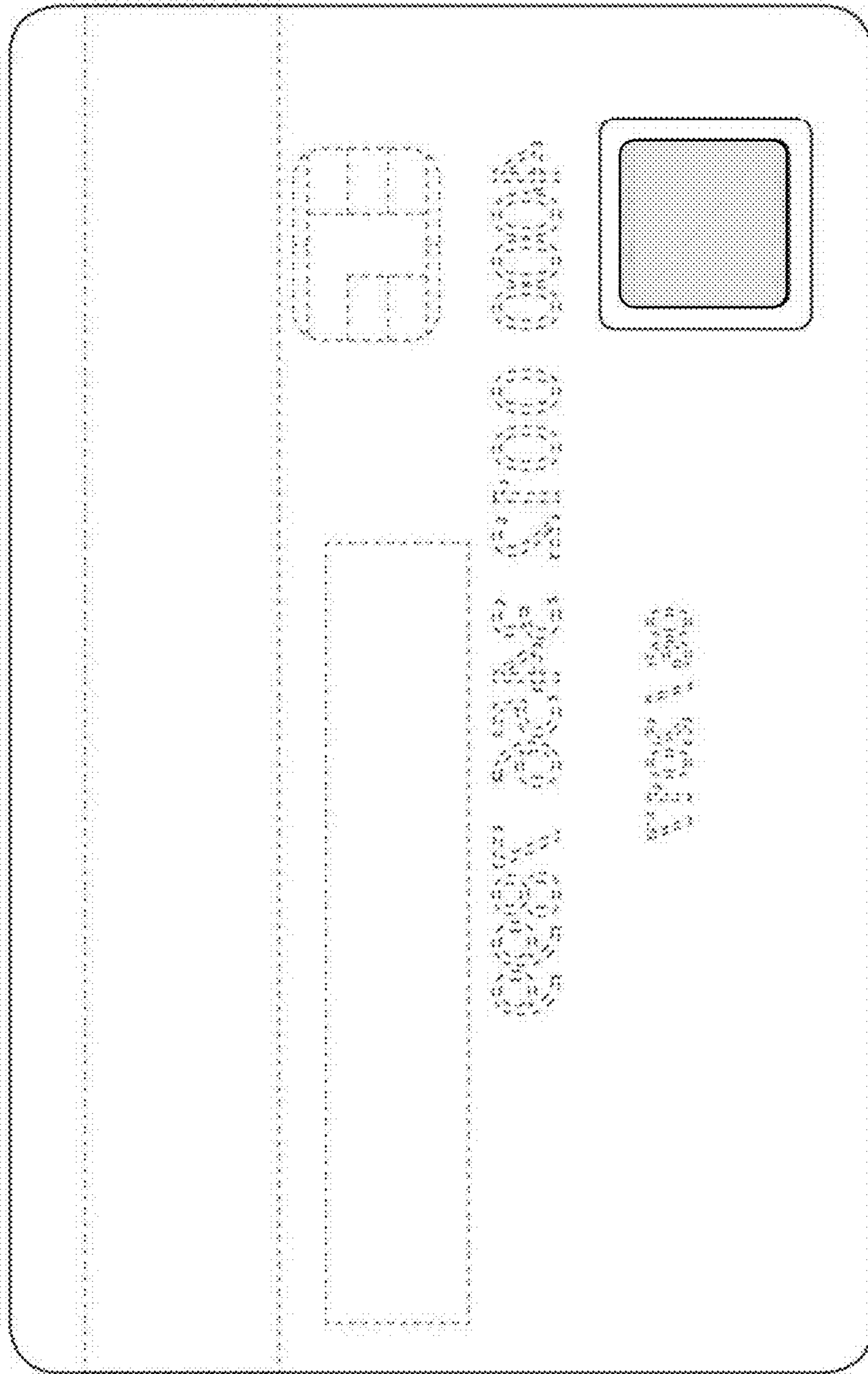
15.3



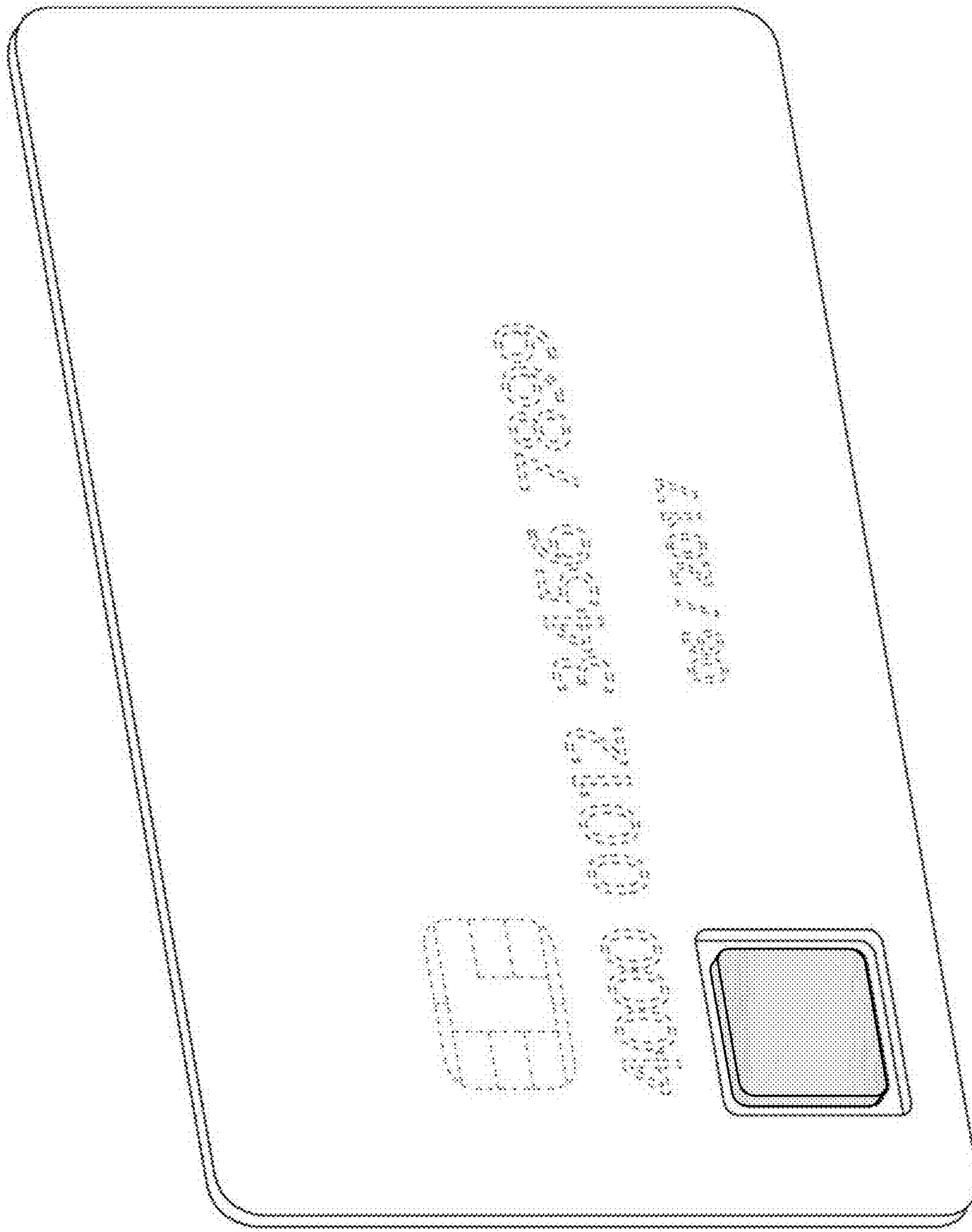
15.4



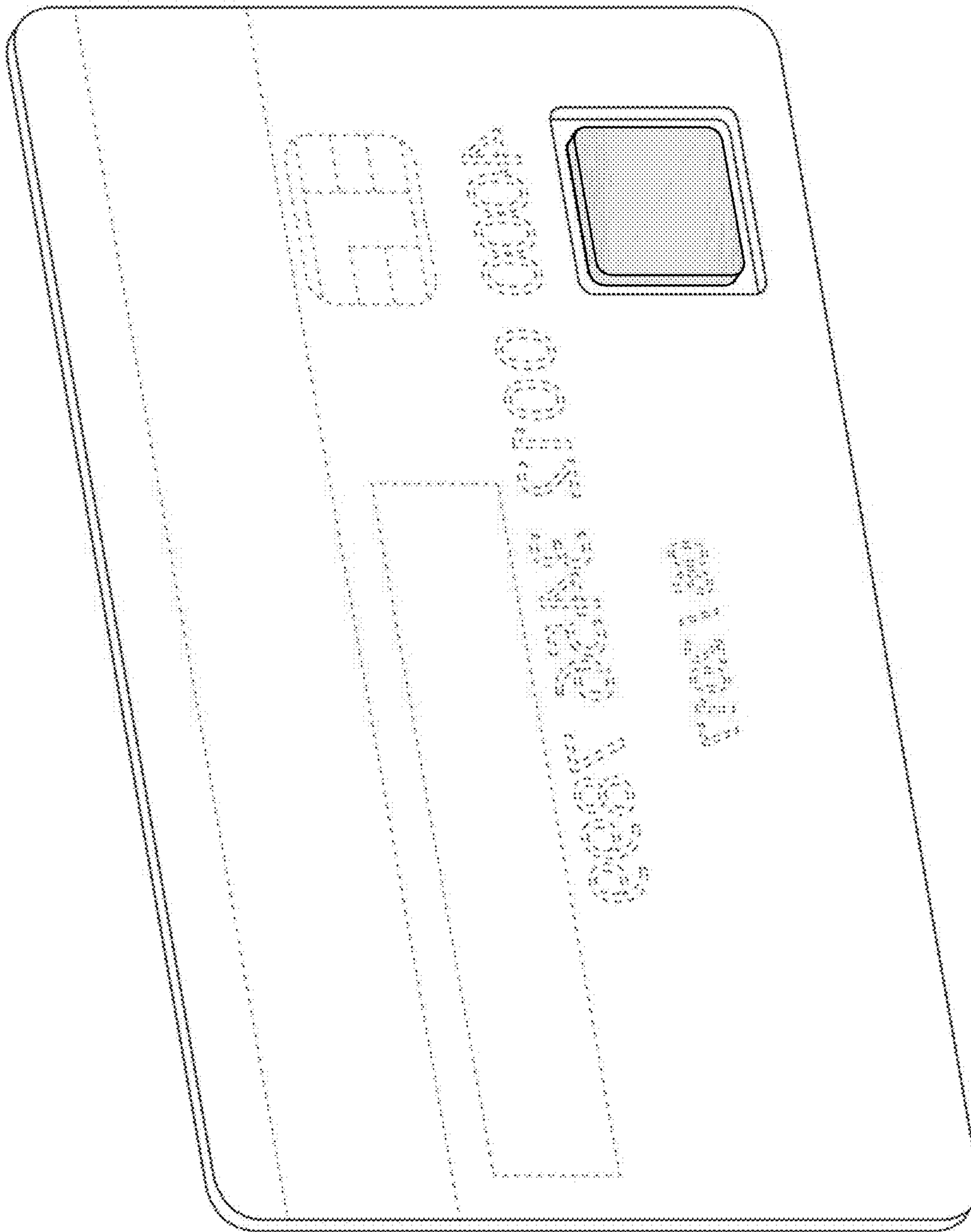
16.1



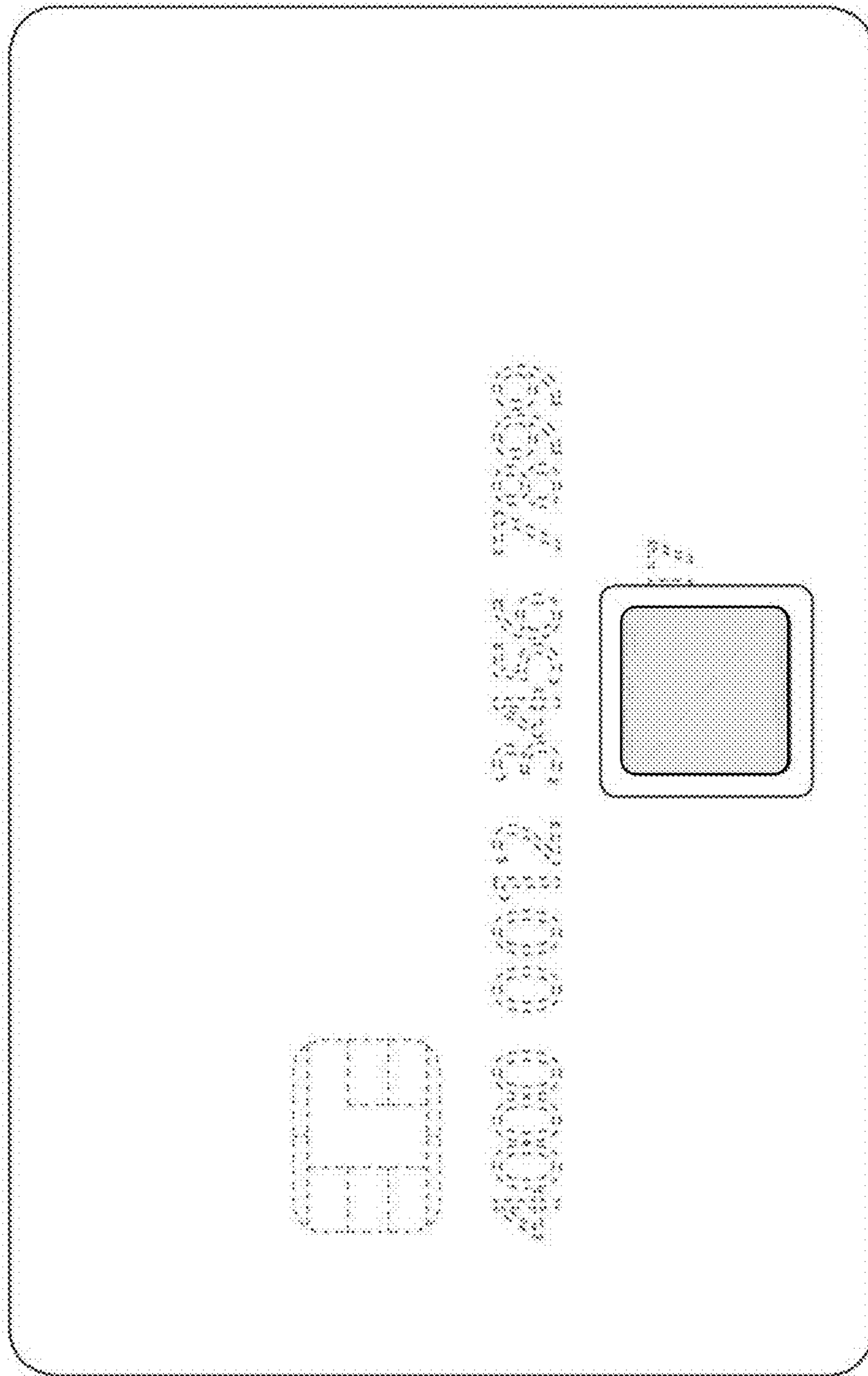
16.2



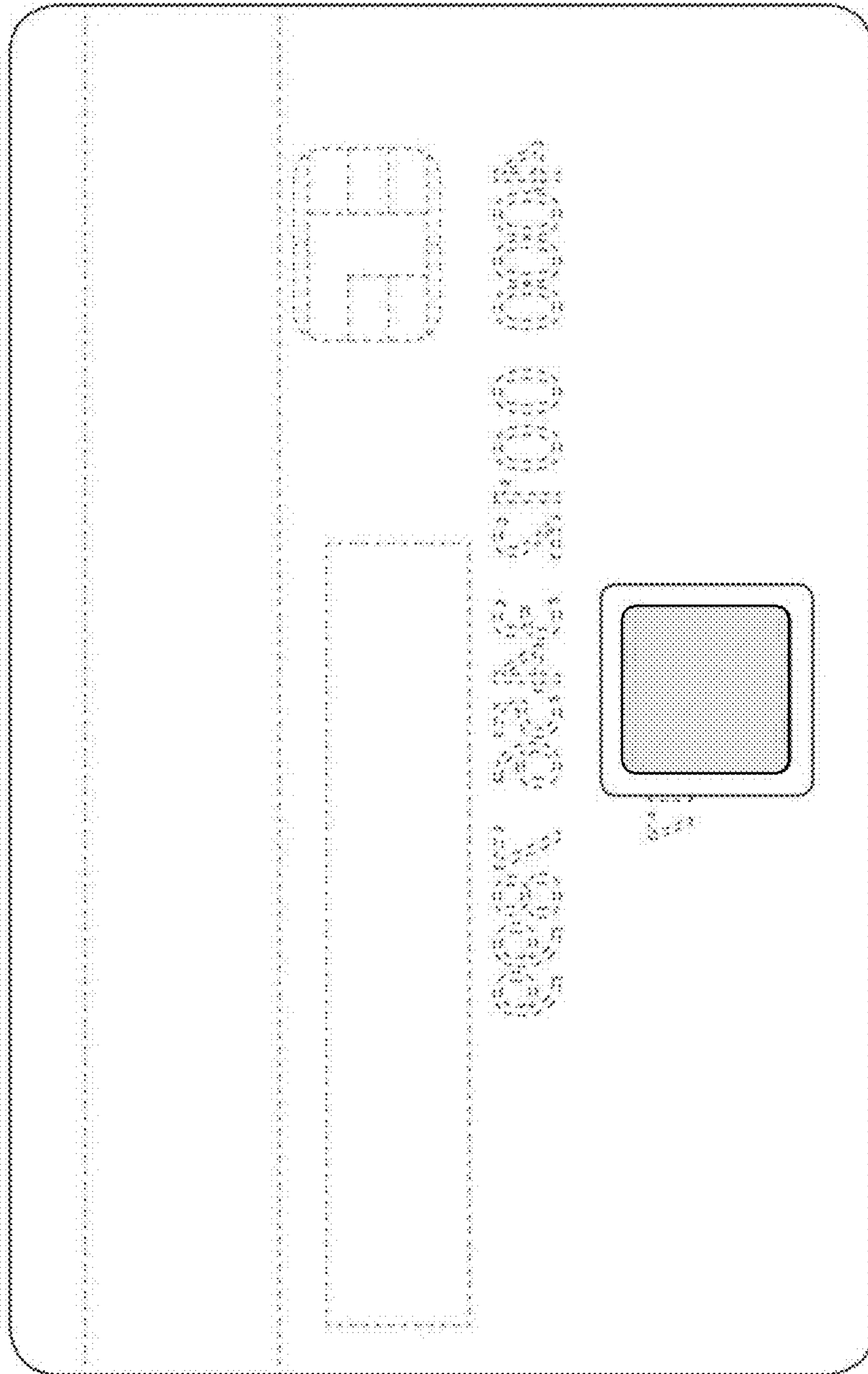
16.3



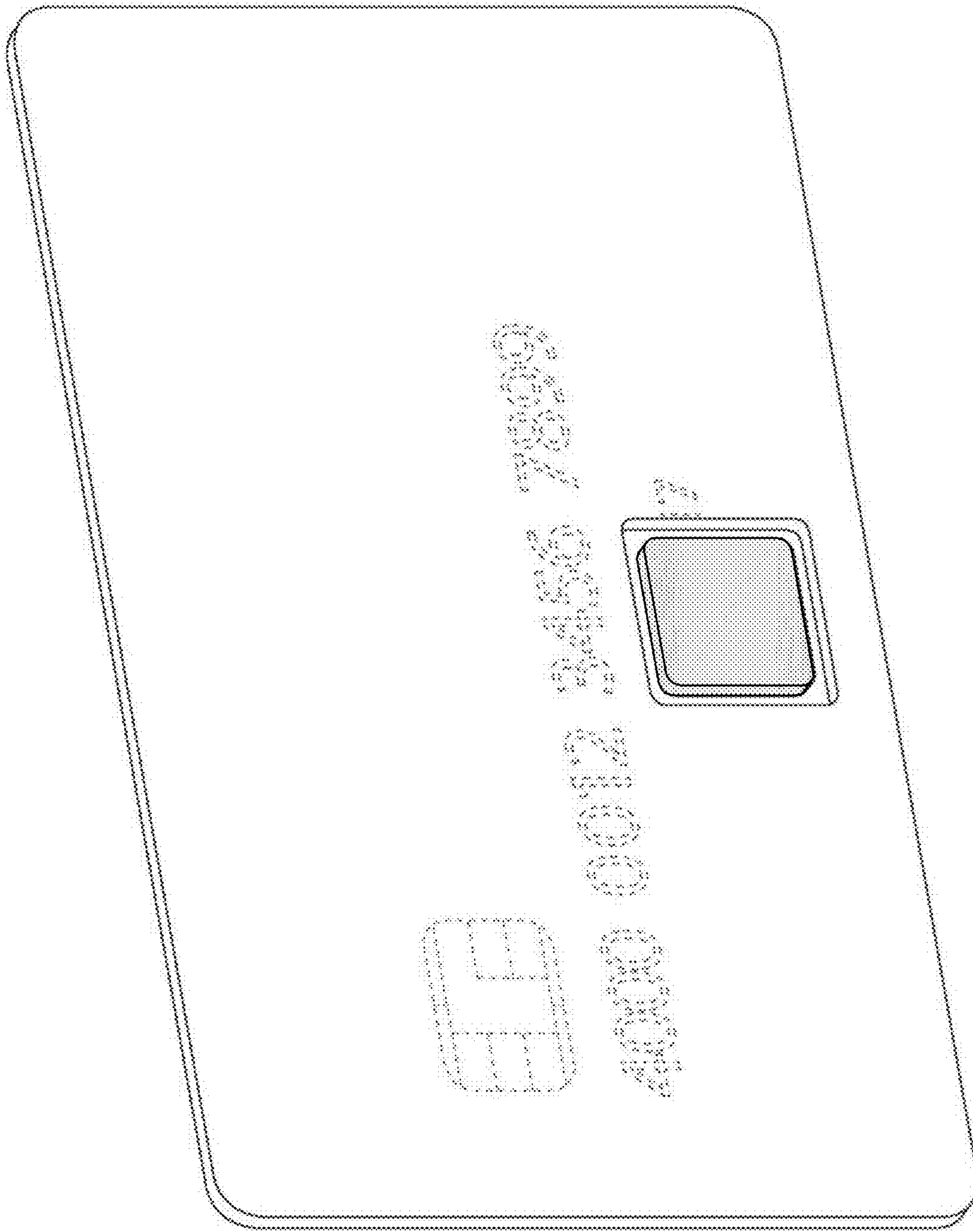
16.4



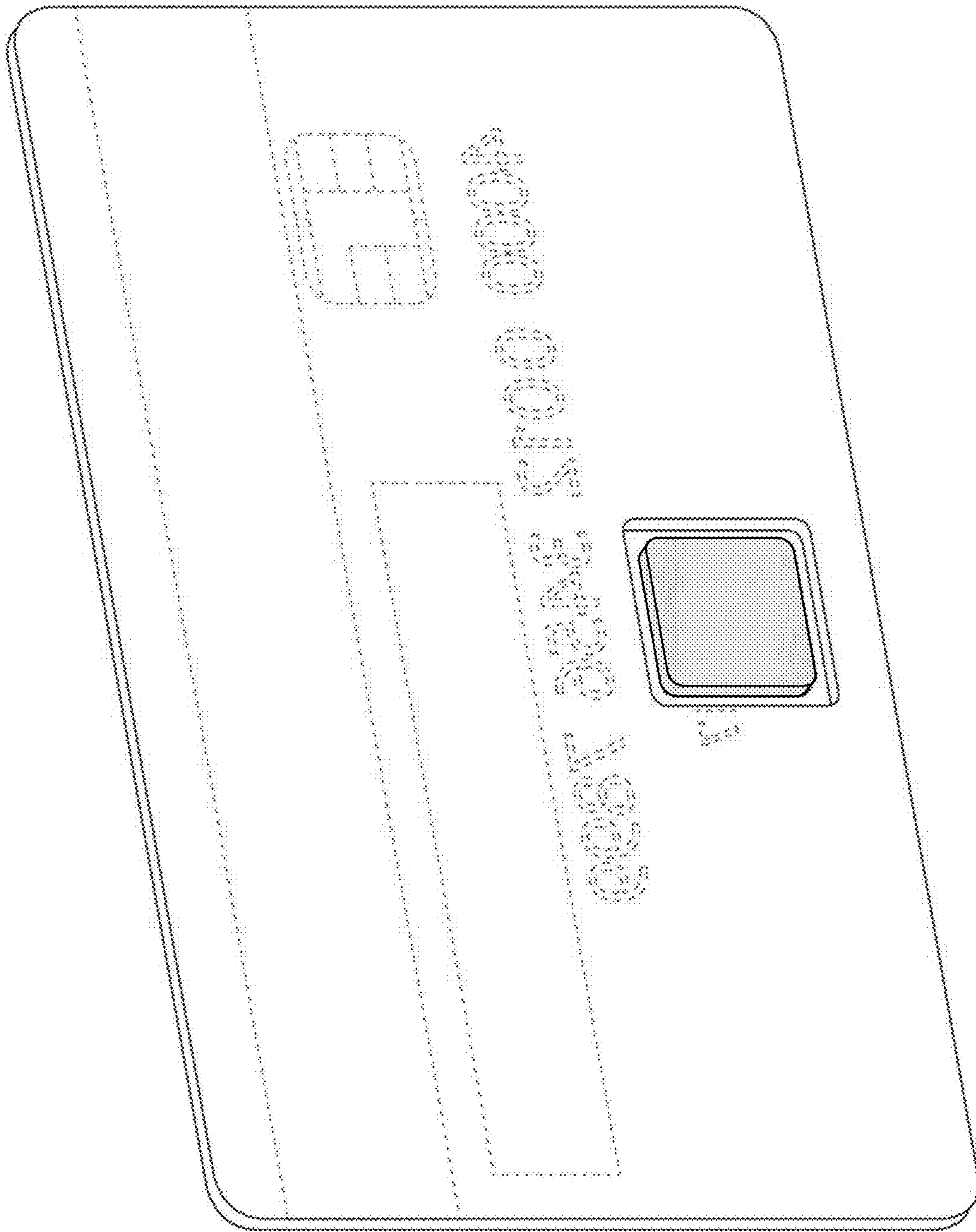
17.1



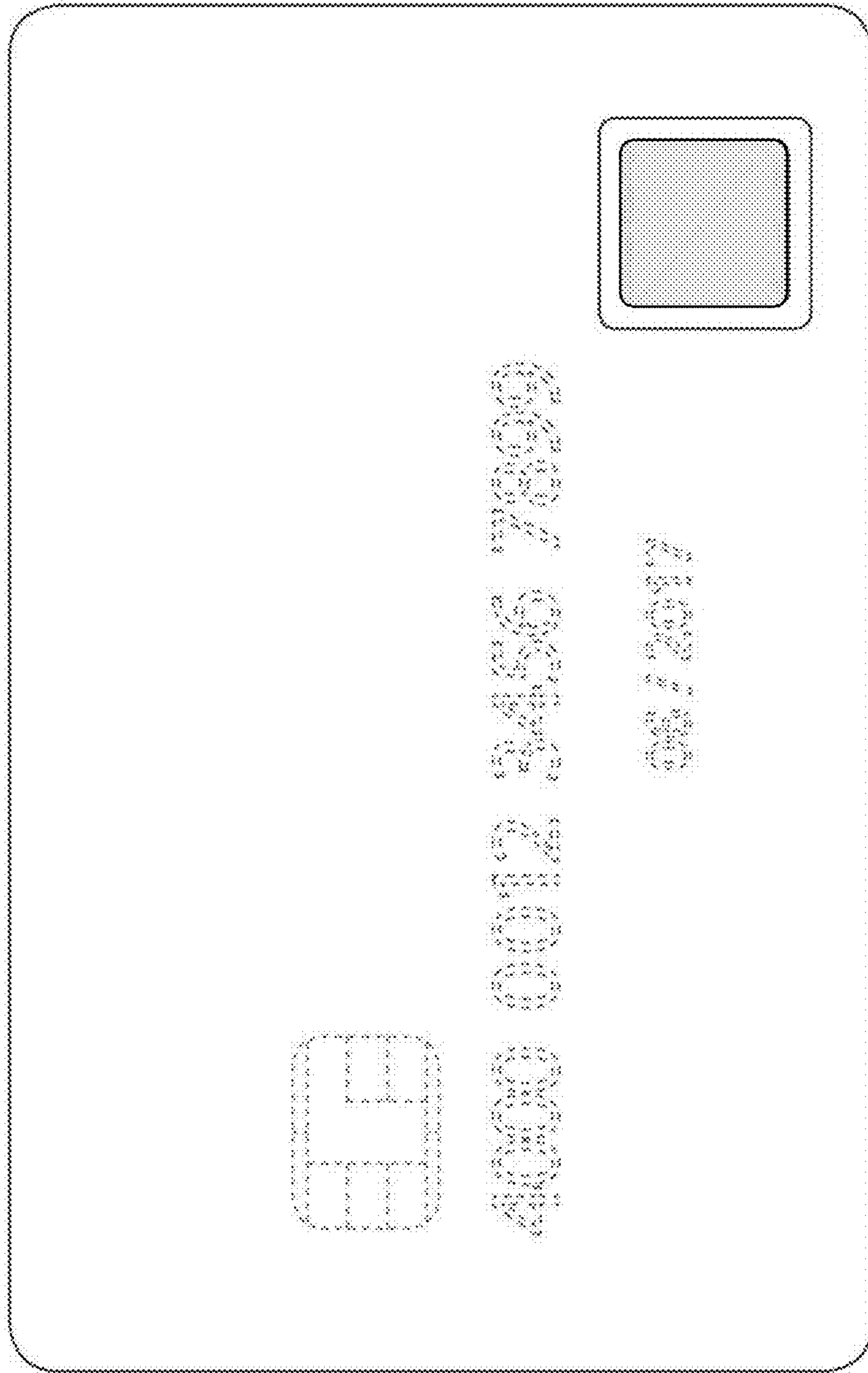
17.2



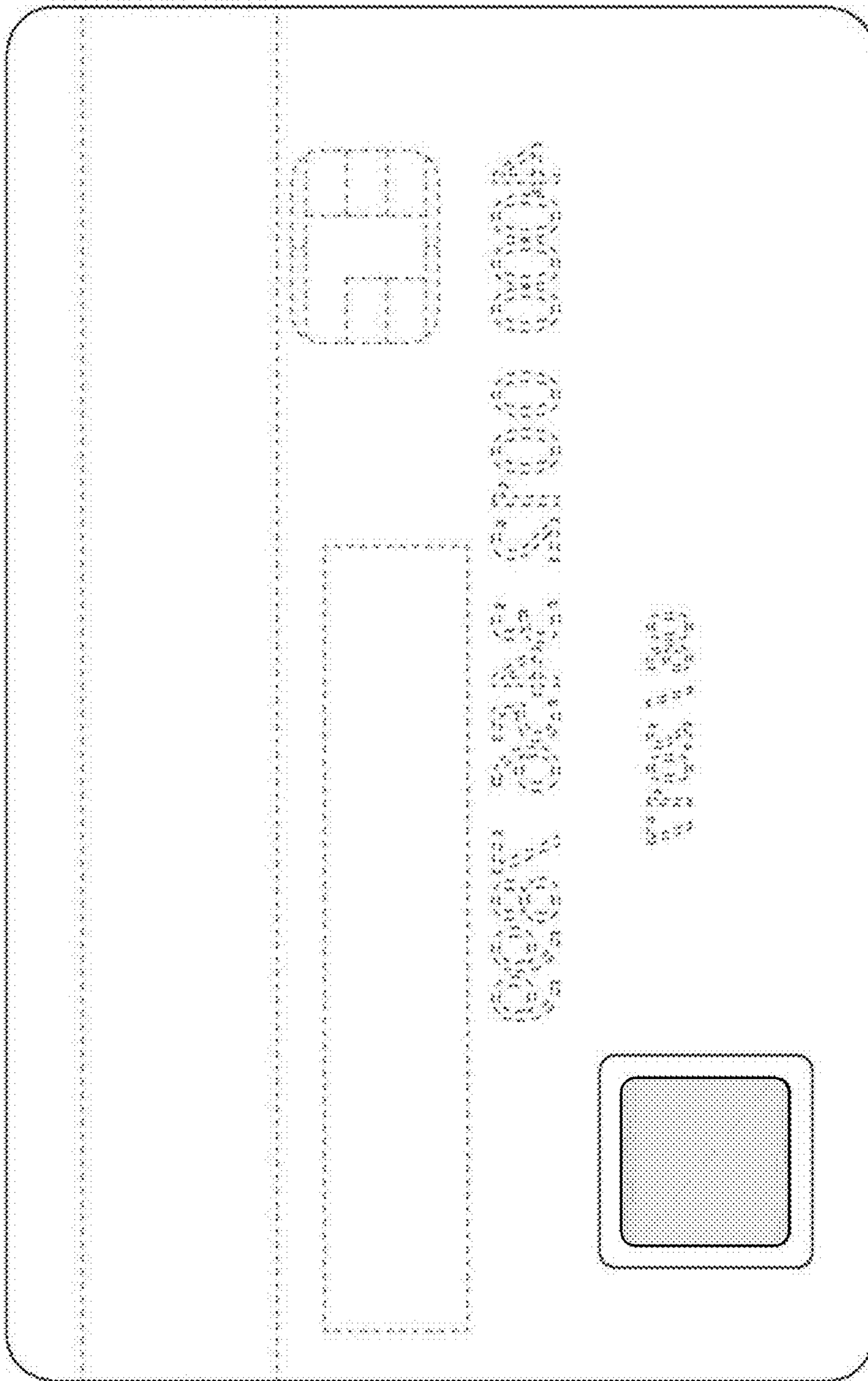
17.3



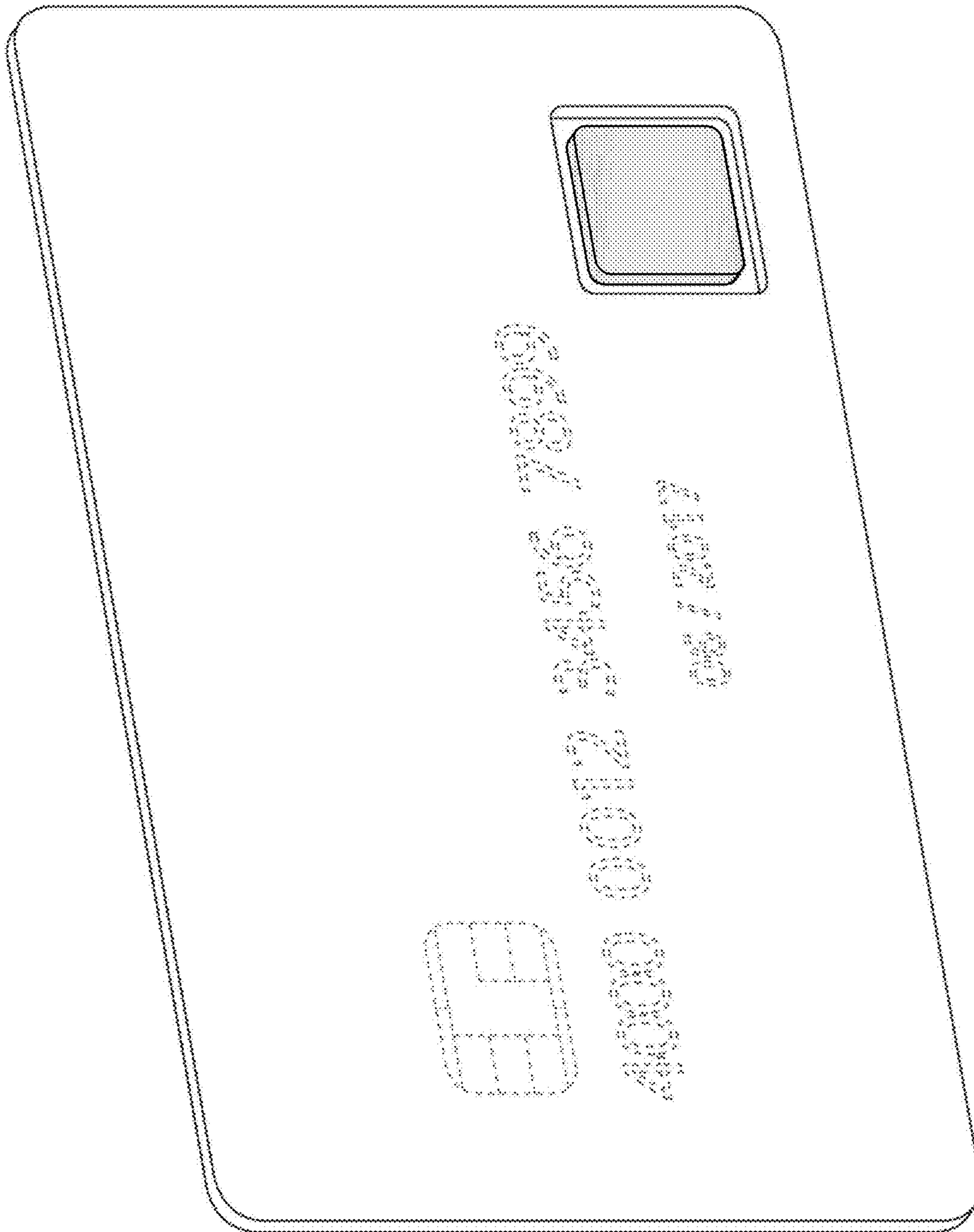
17.4



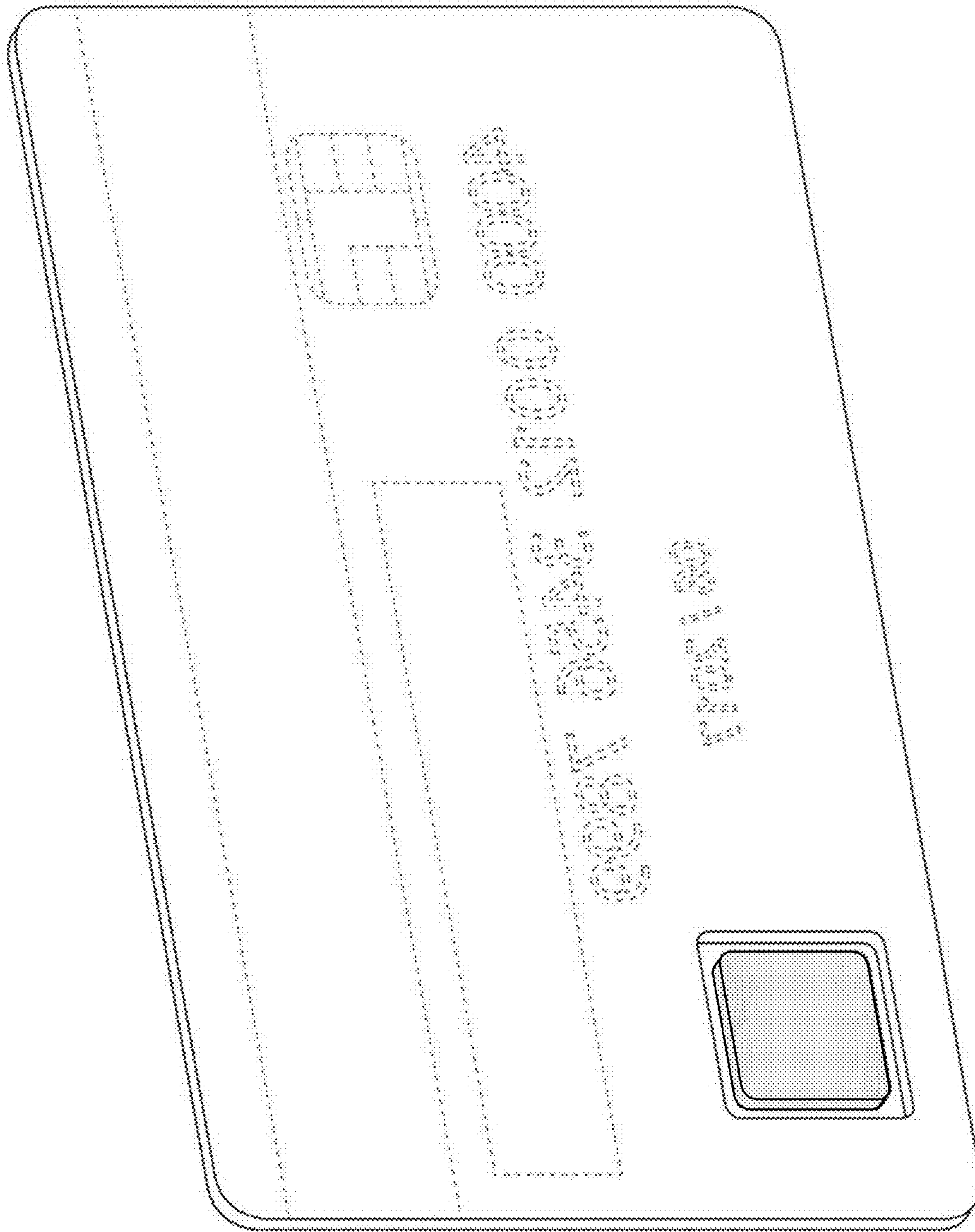
18.1



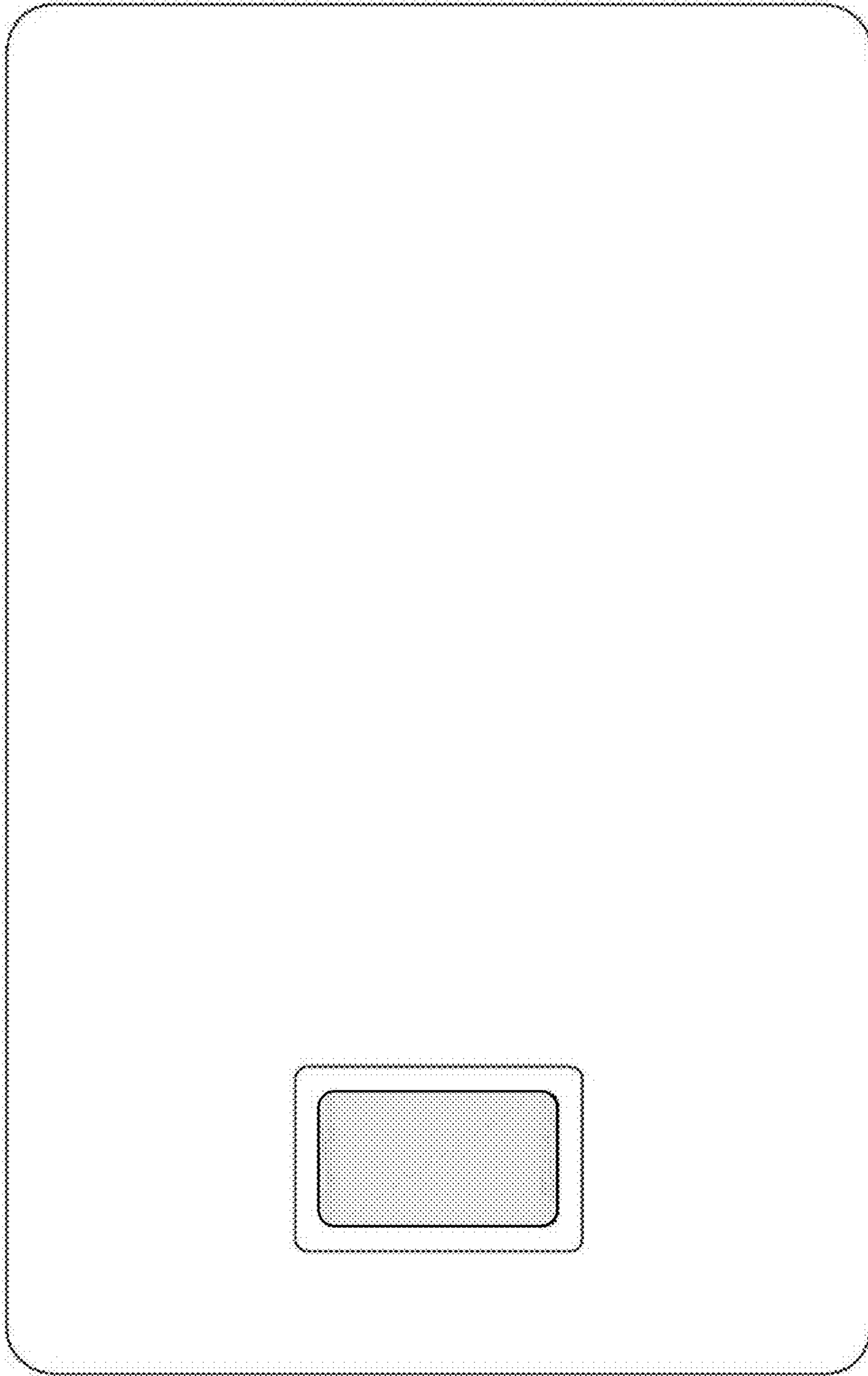
18.2



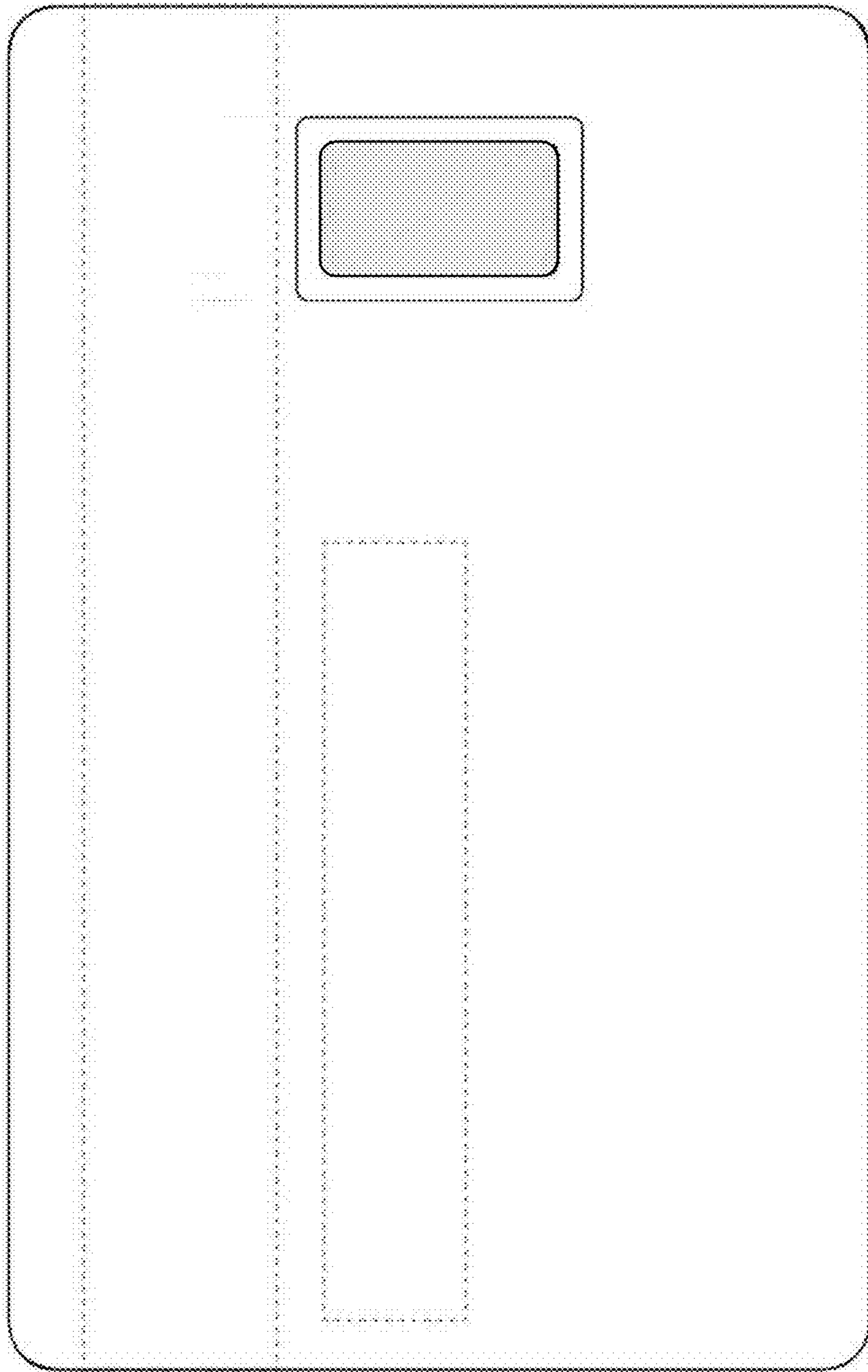
18.3



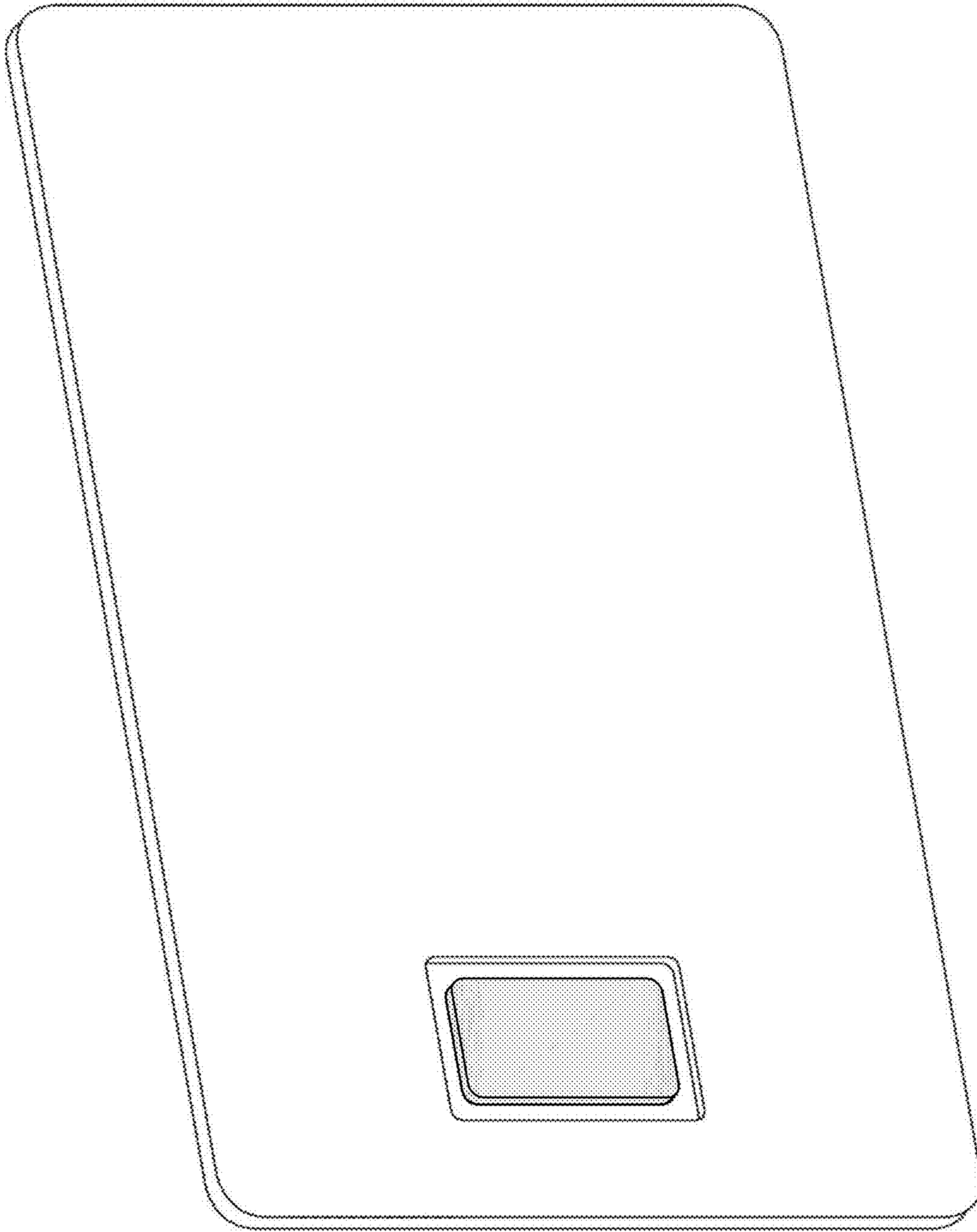
18.4



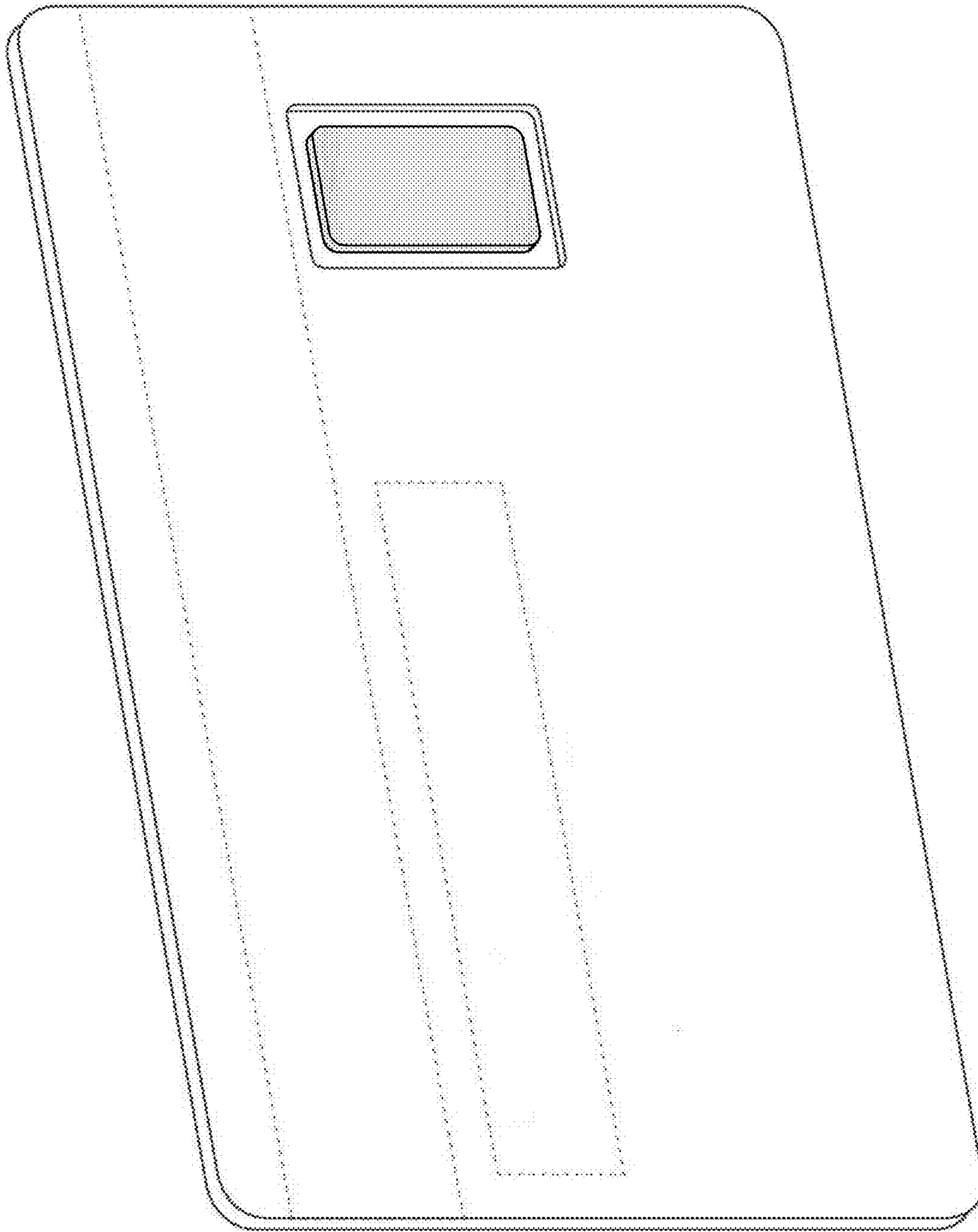
19.1



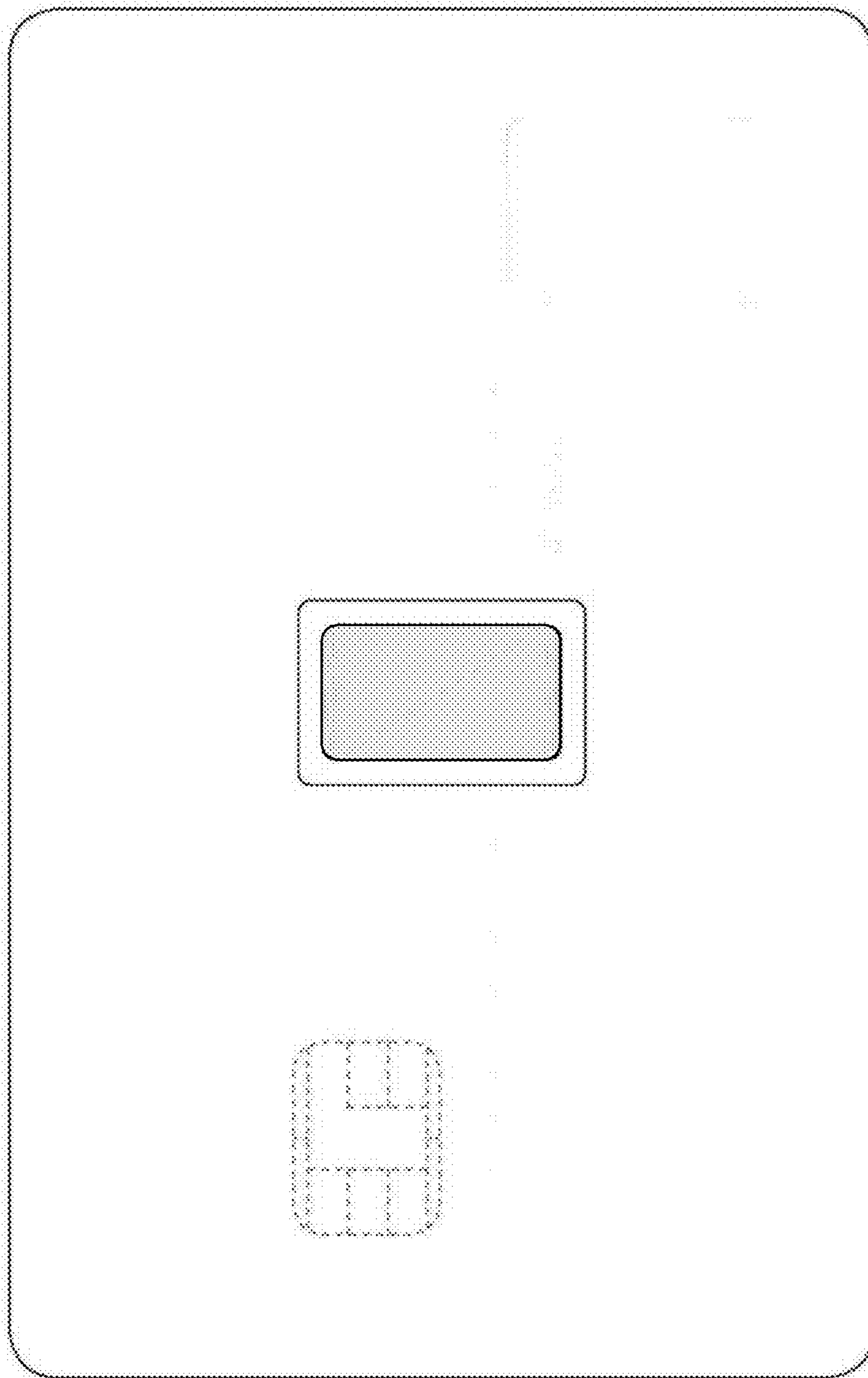
19.2



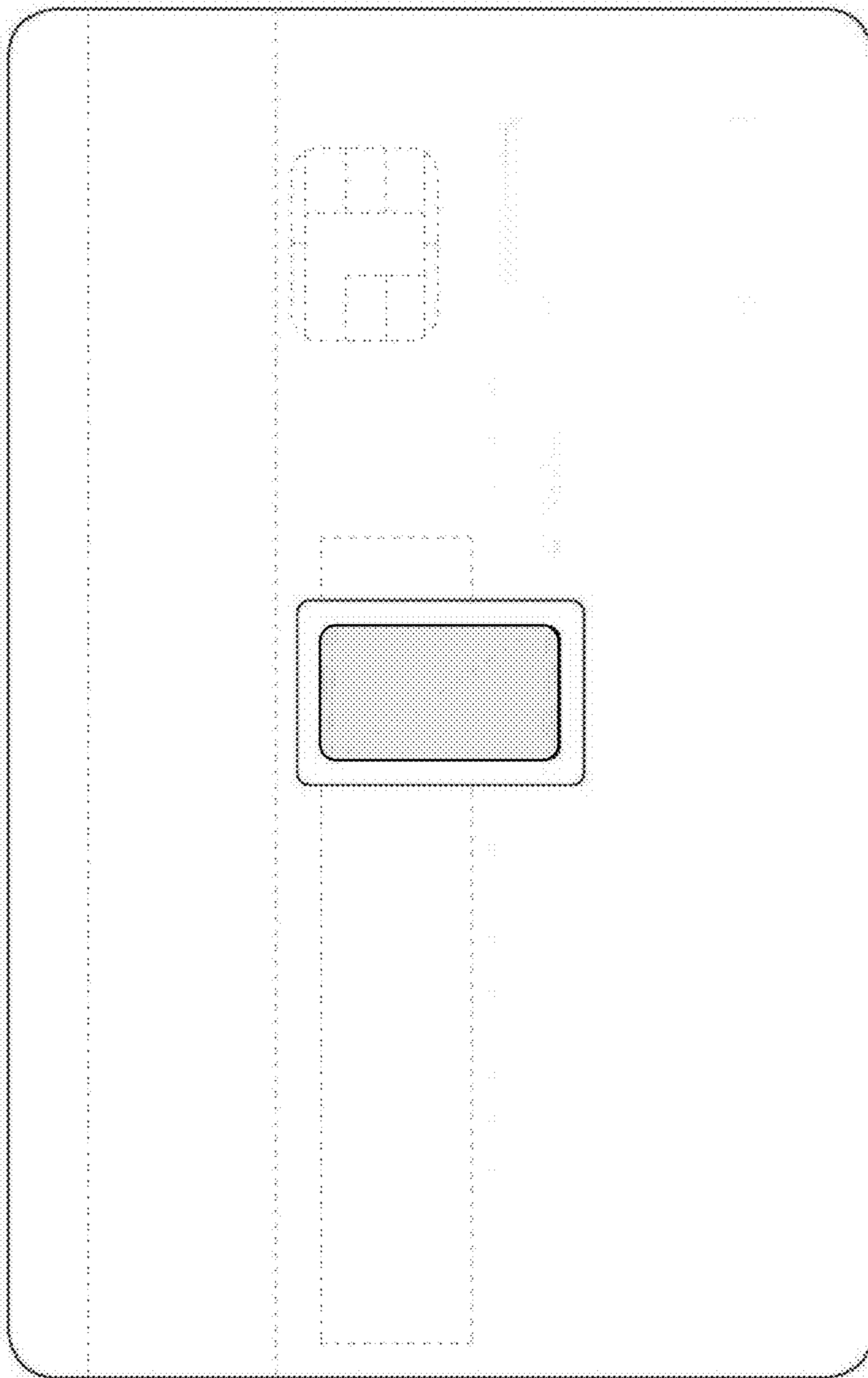
19.3



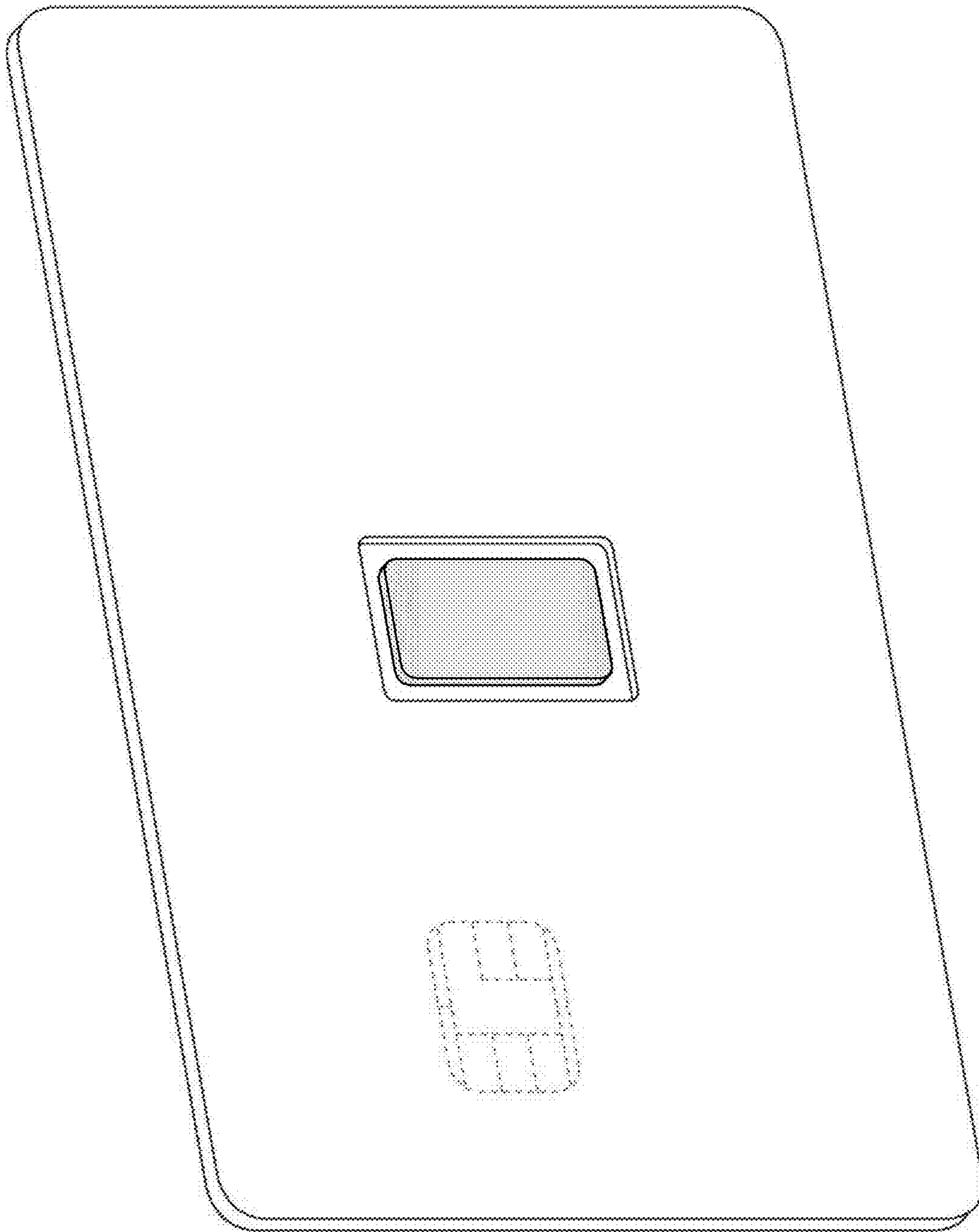
19.4



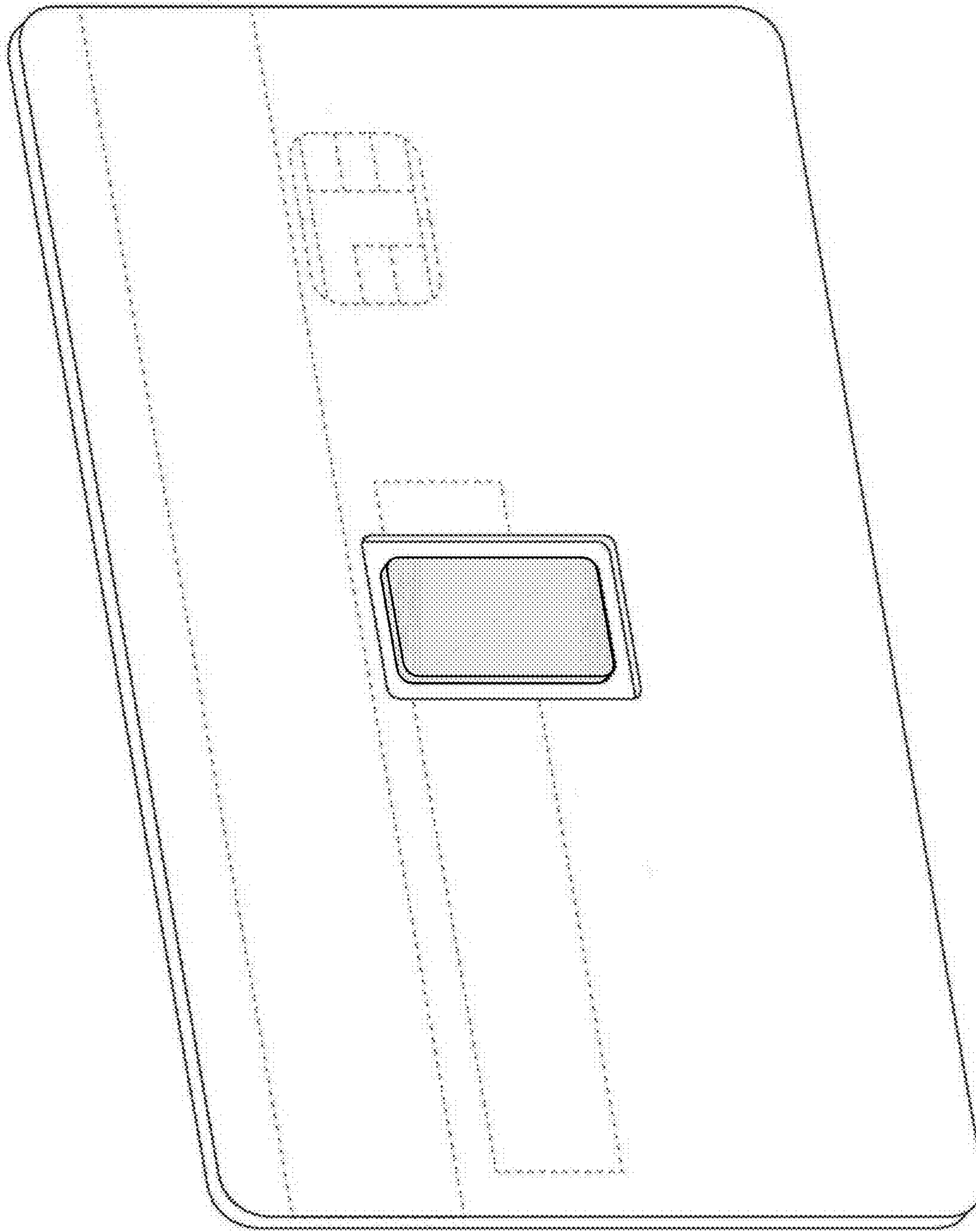
20.1



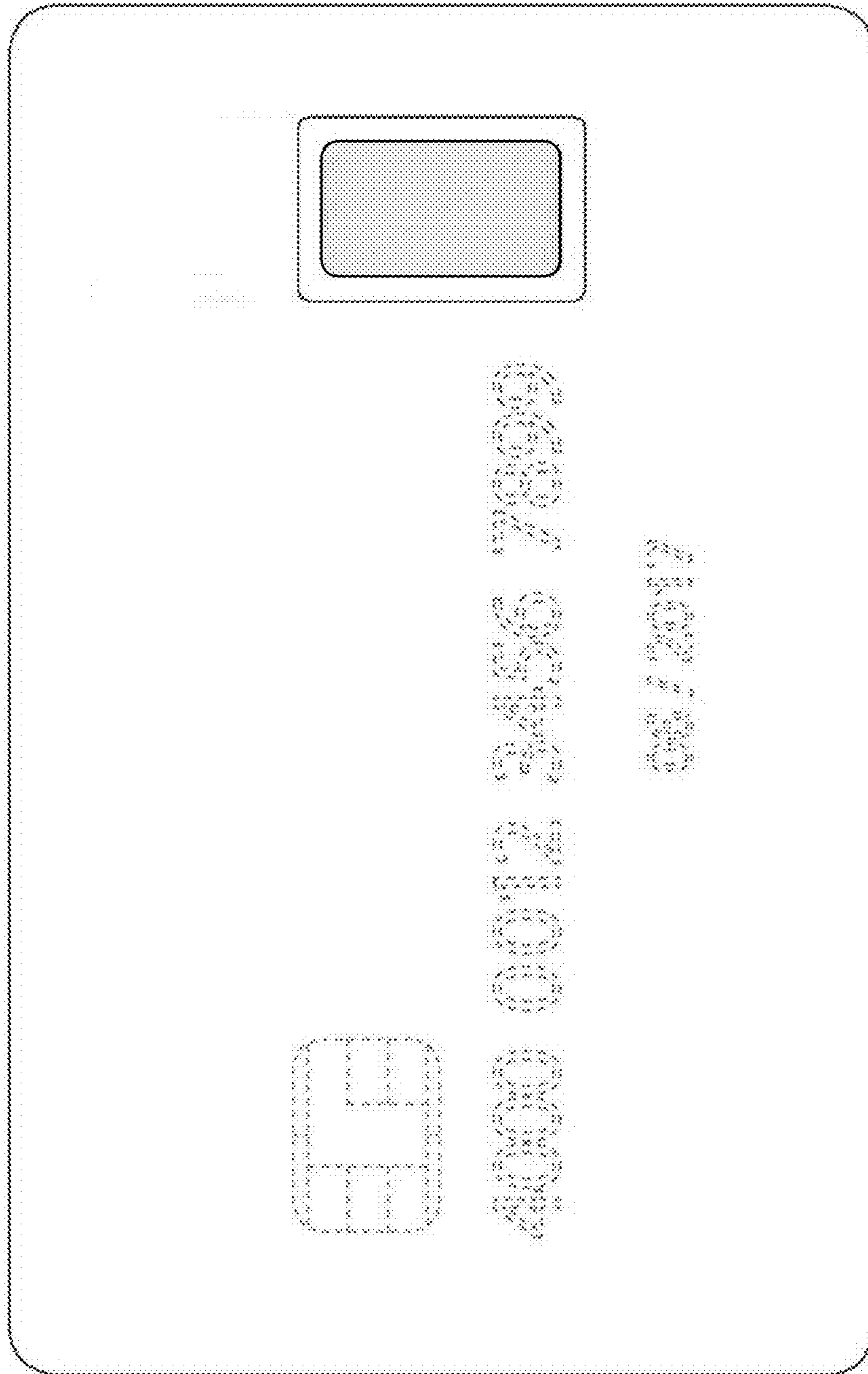
20.2



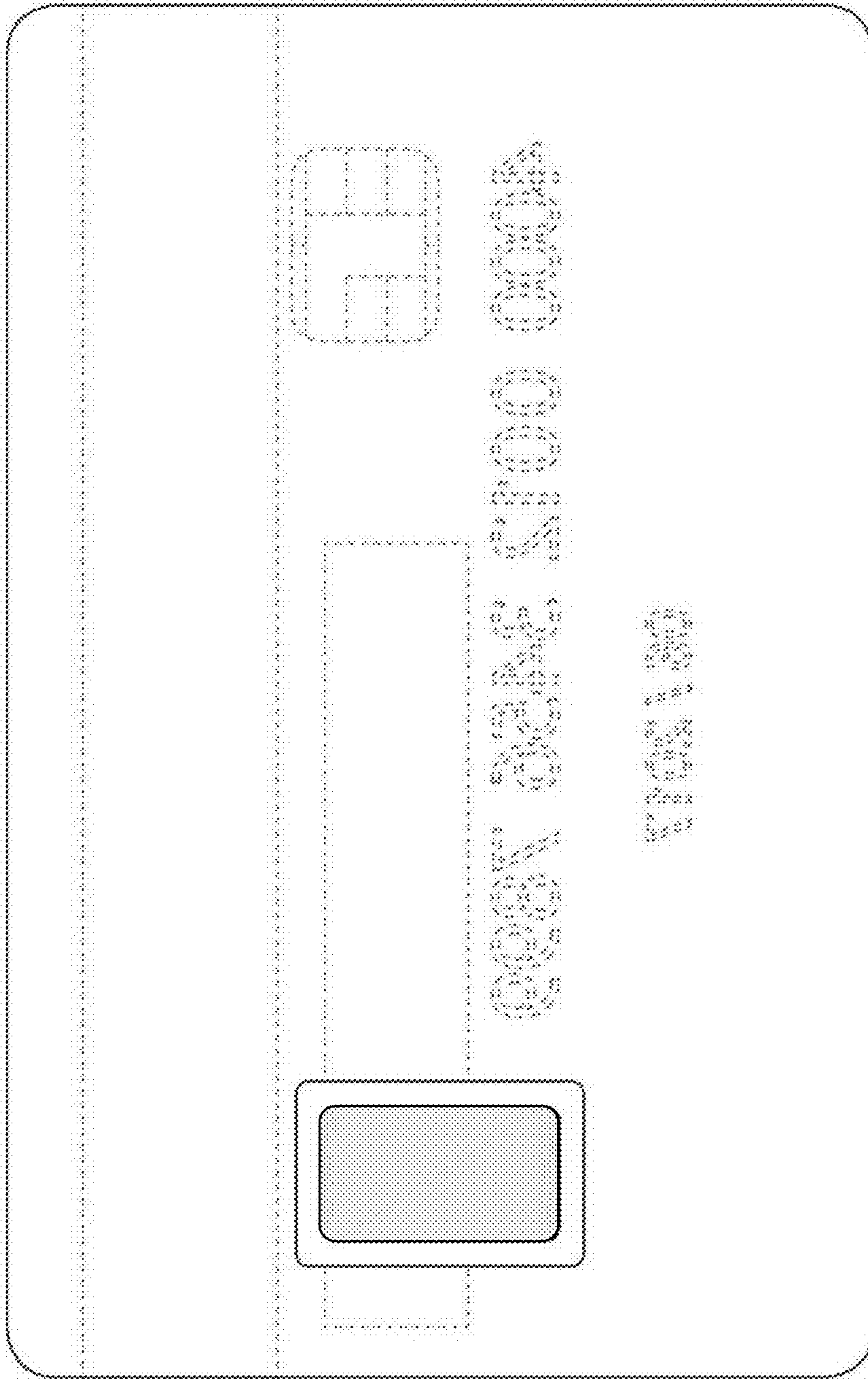
20.3



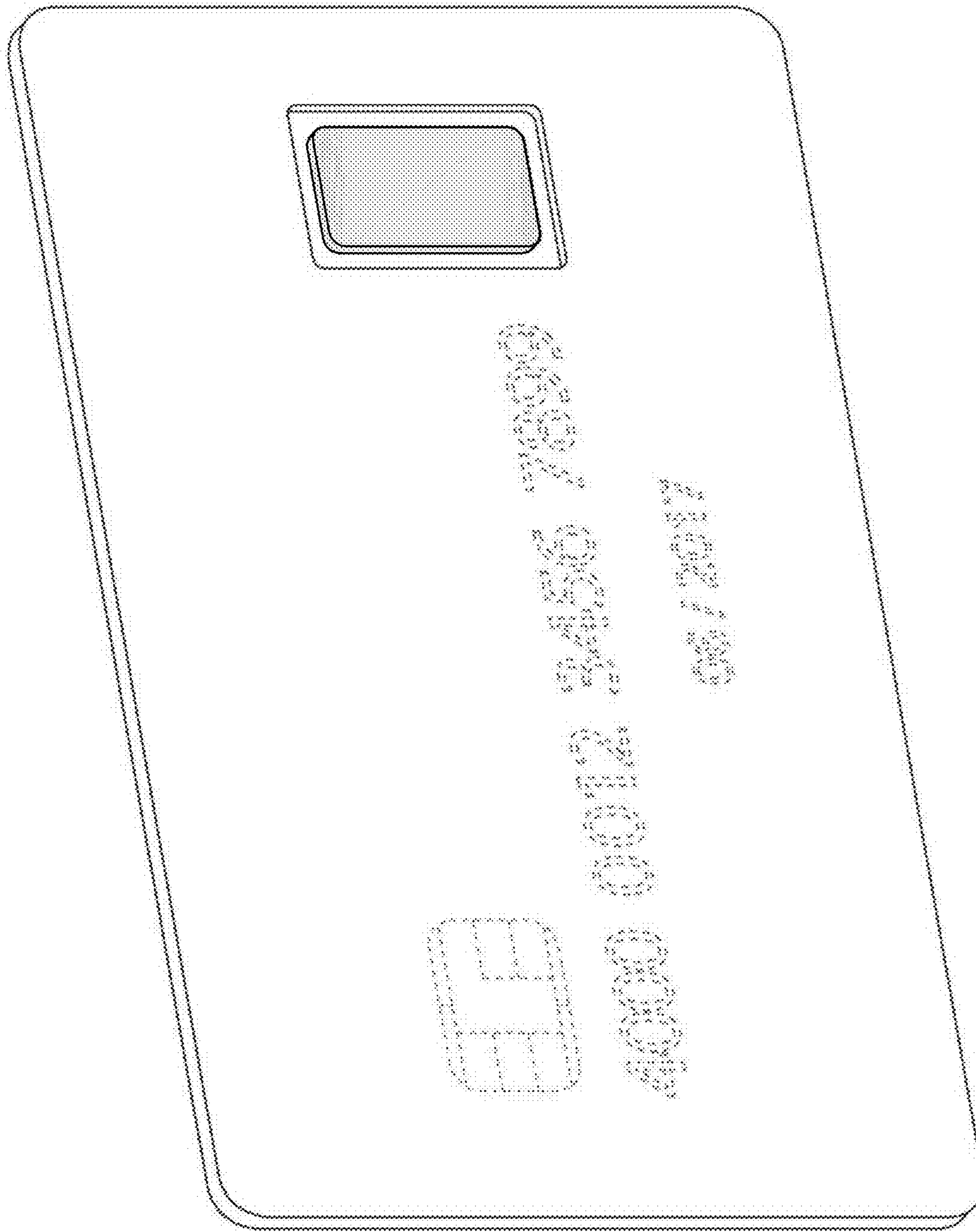
20.4



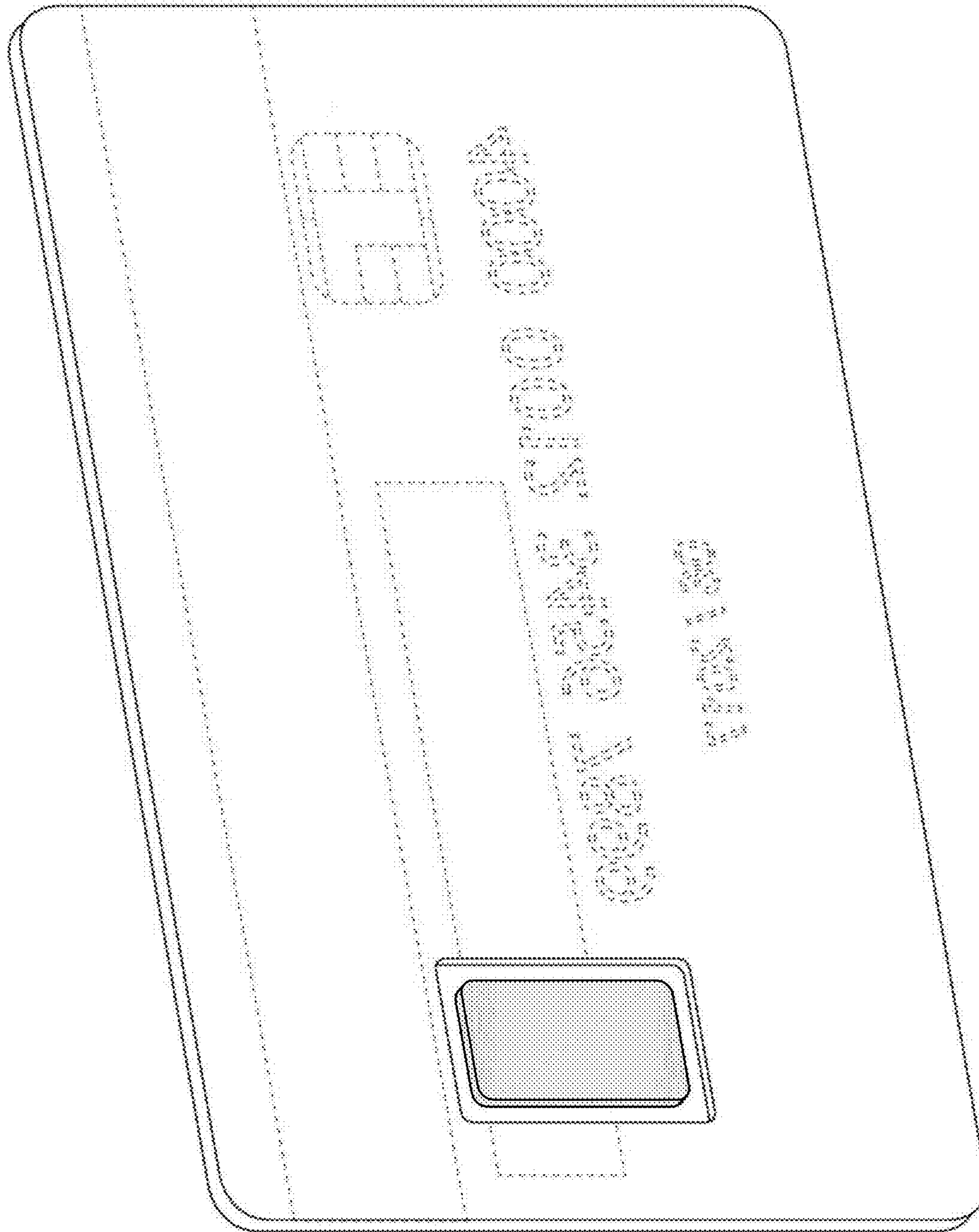
21.1



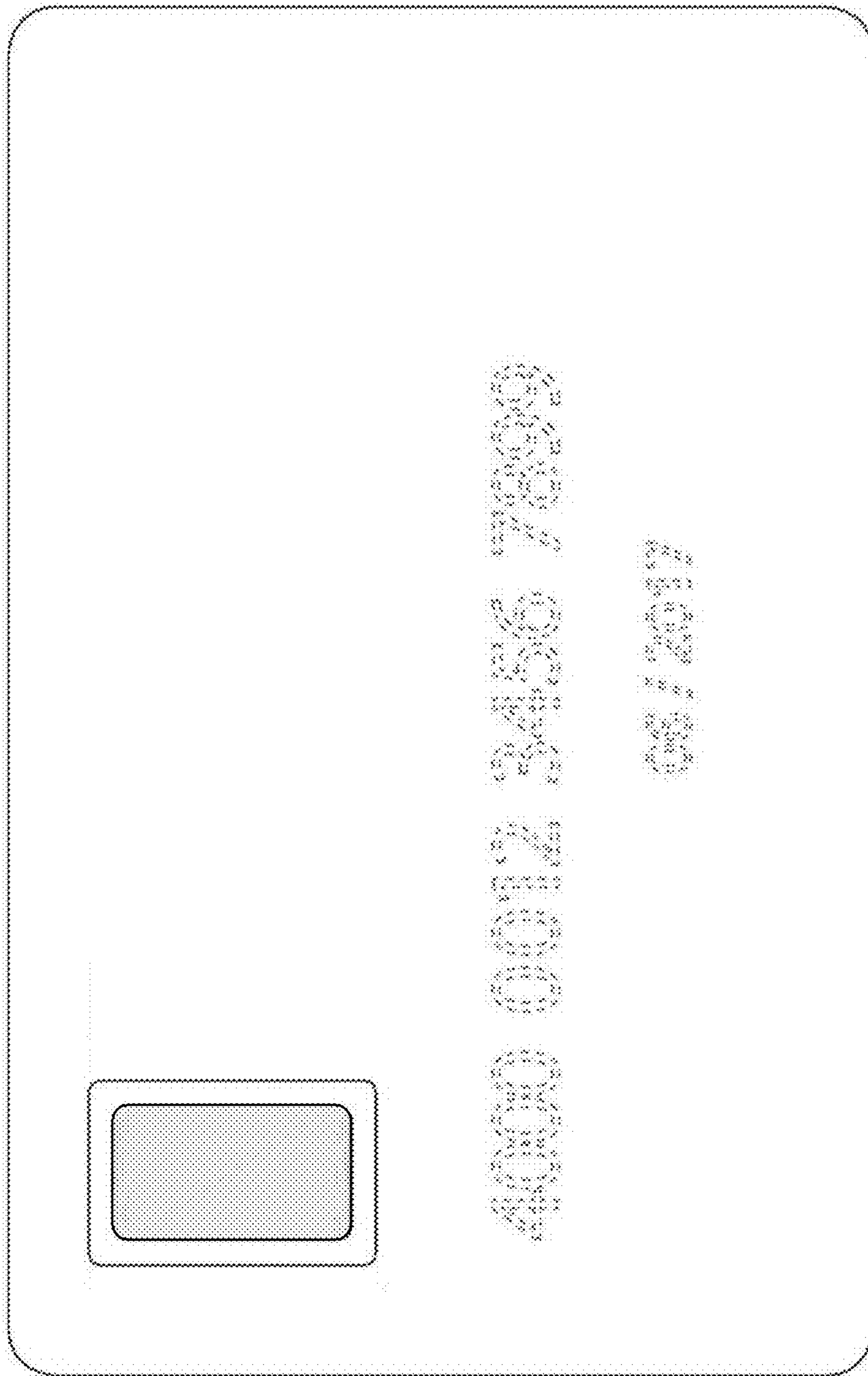
21.2



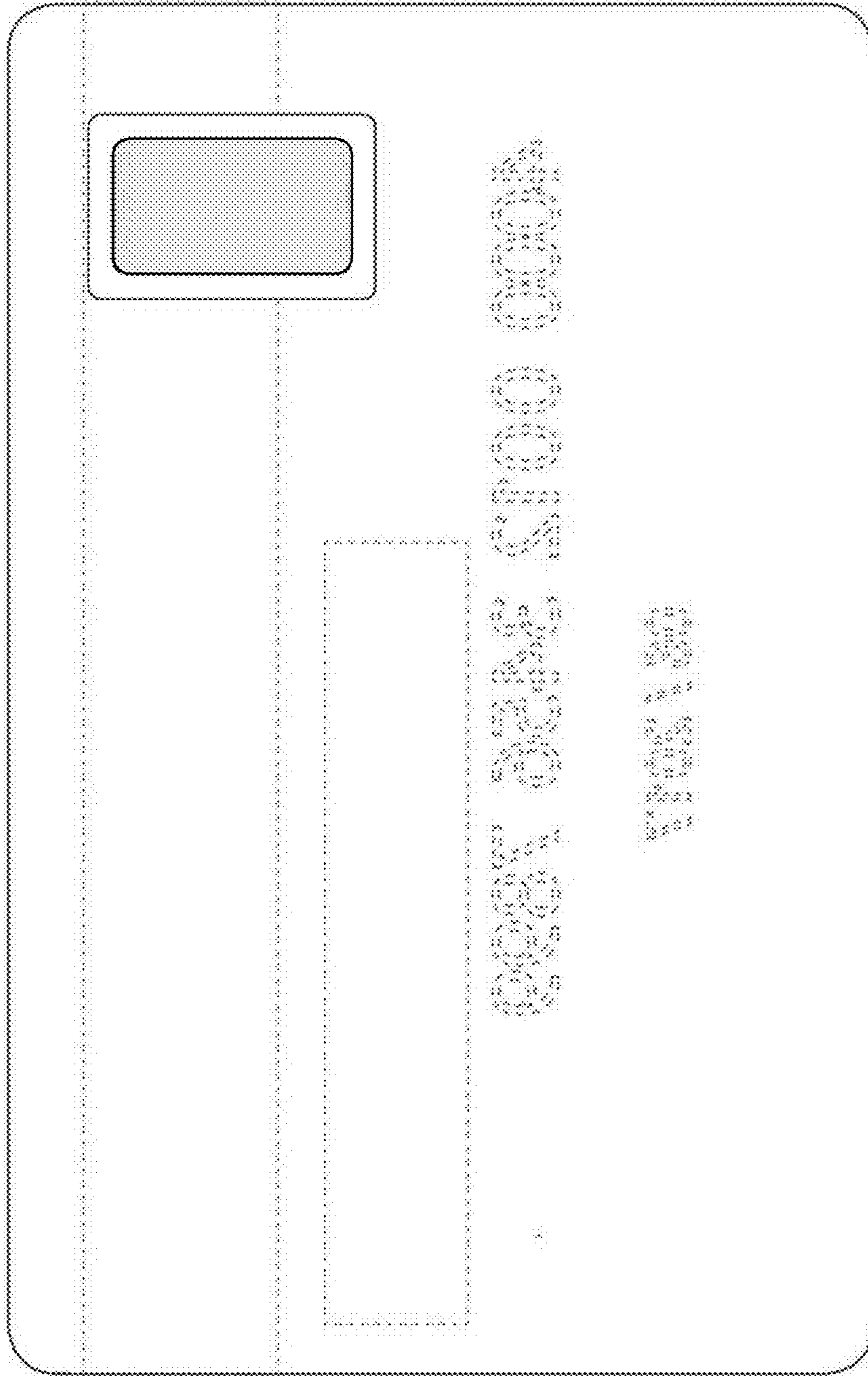
21.3



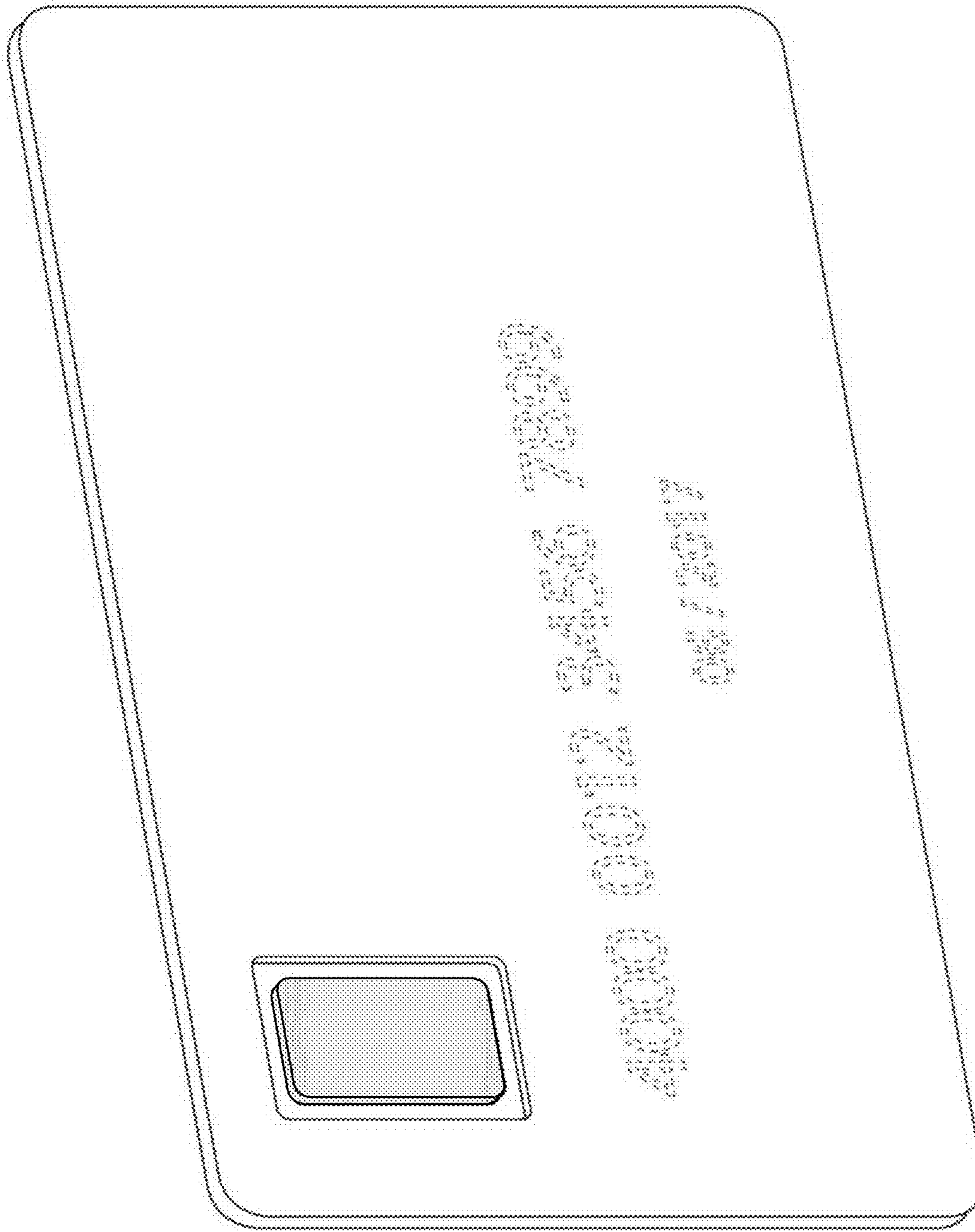
21.4



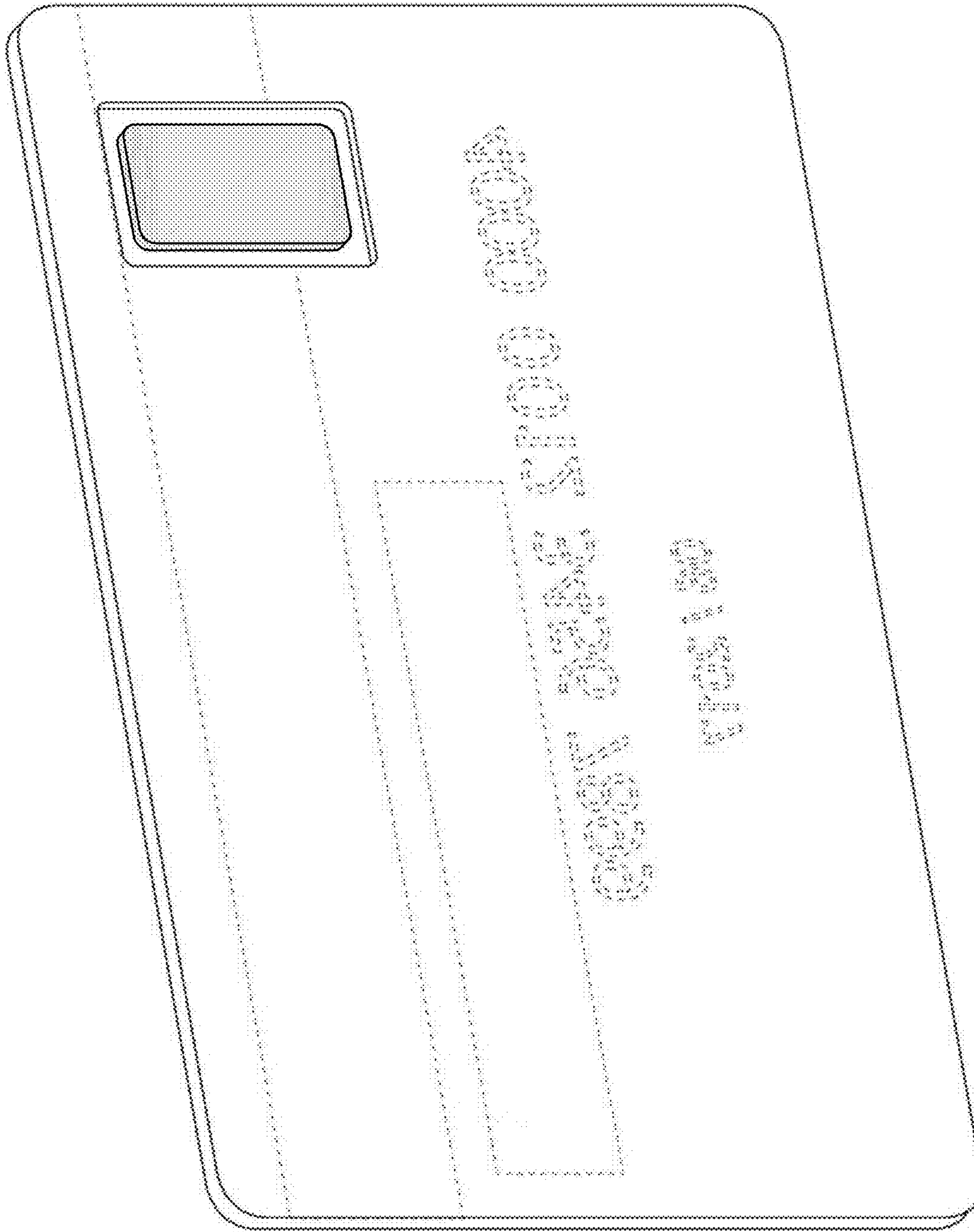
22.1



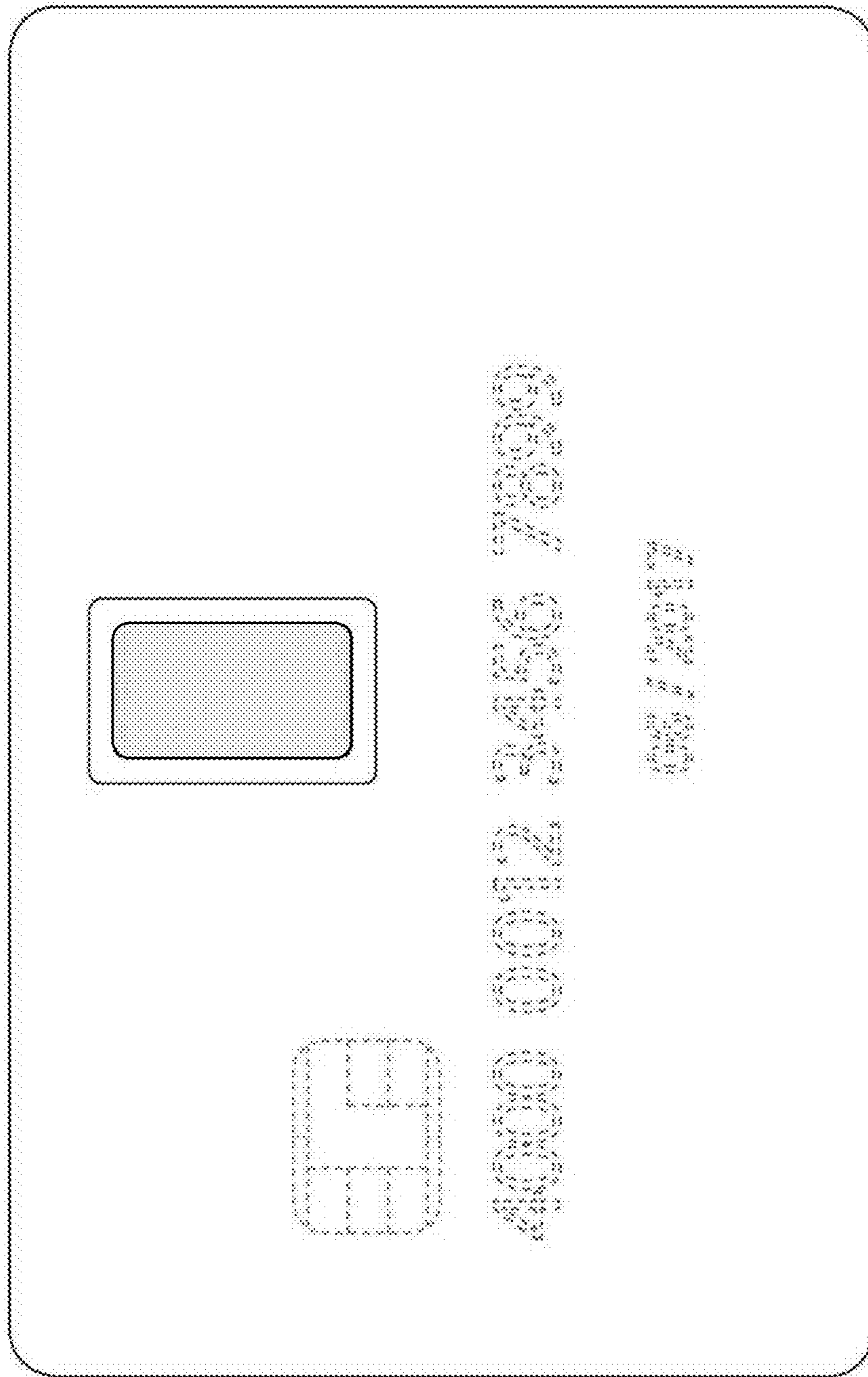
22.2



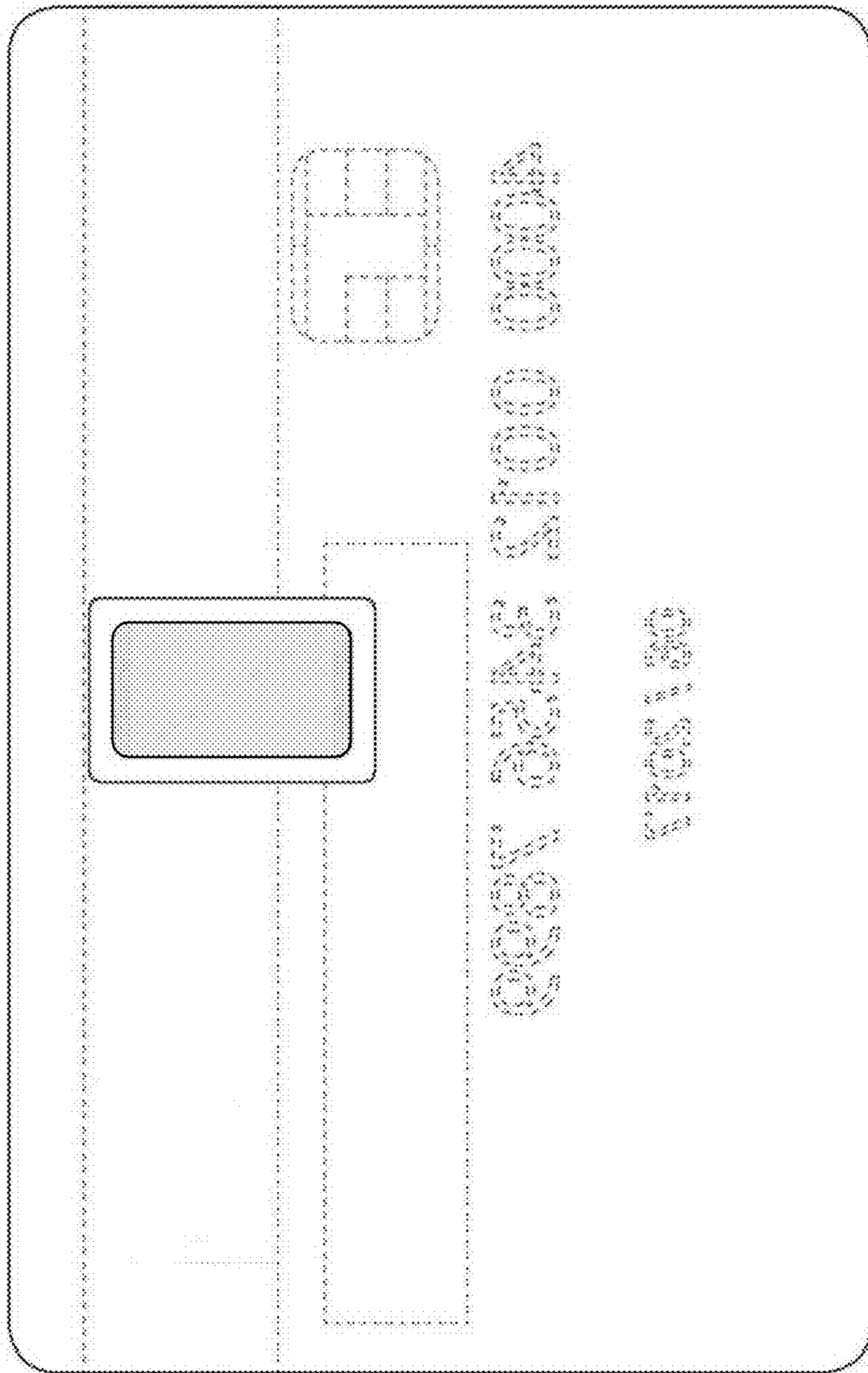
22.3



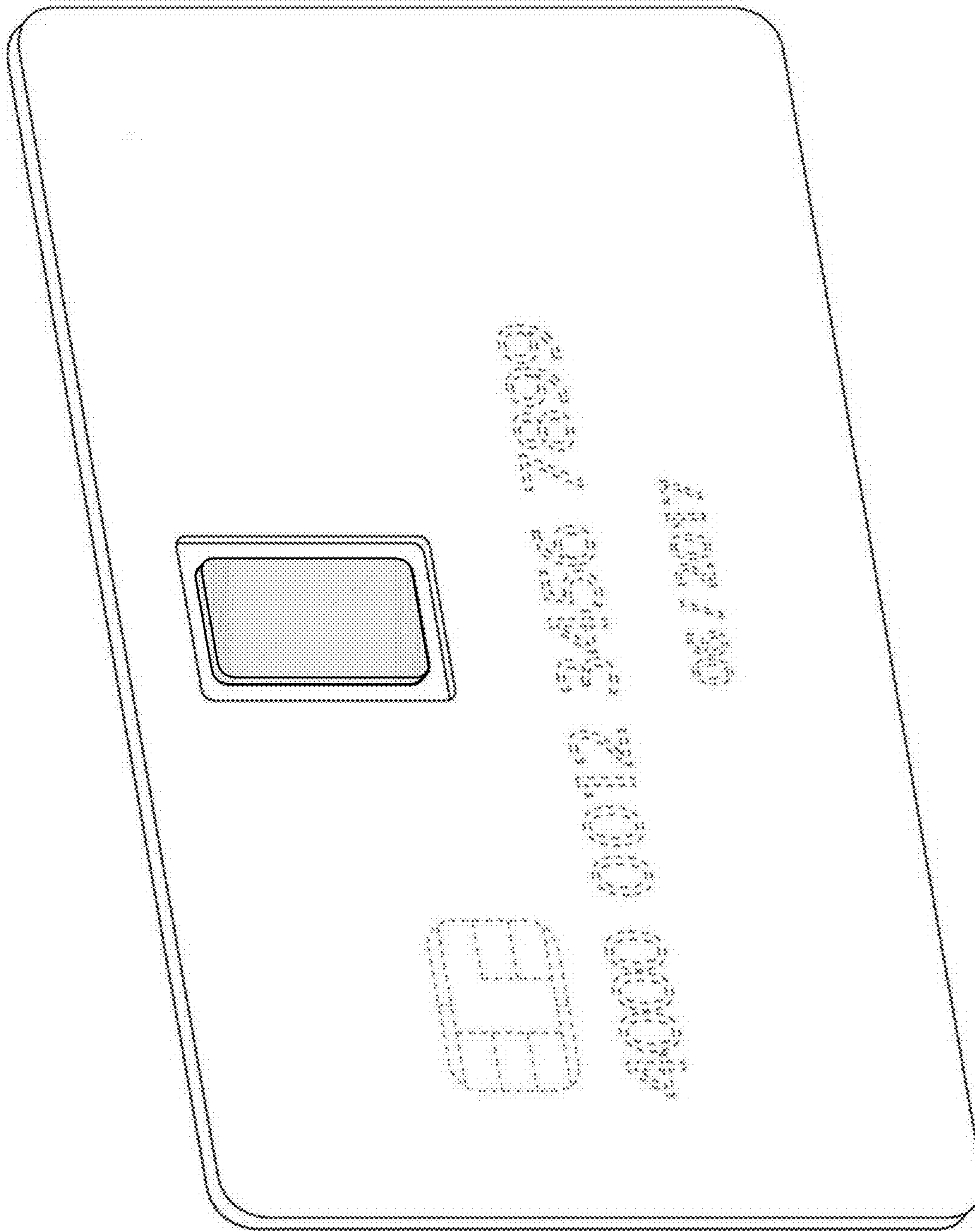
22.4



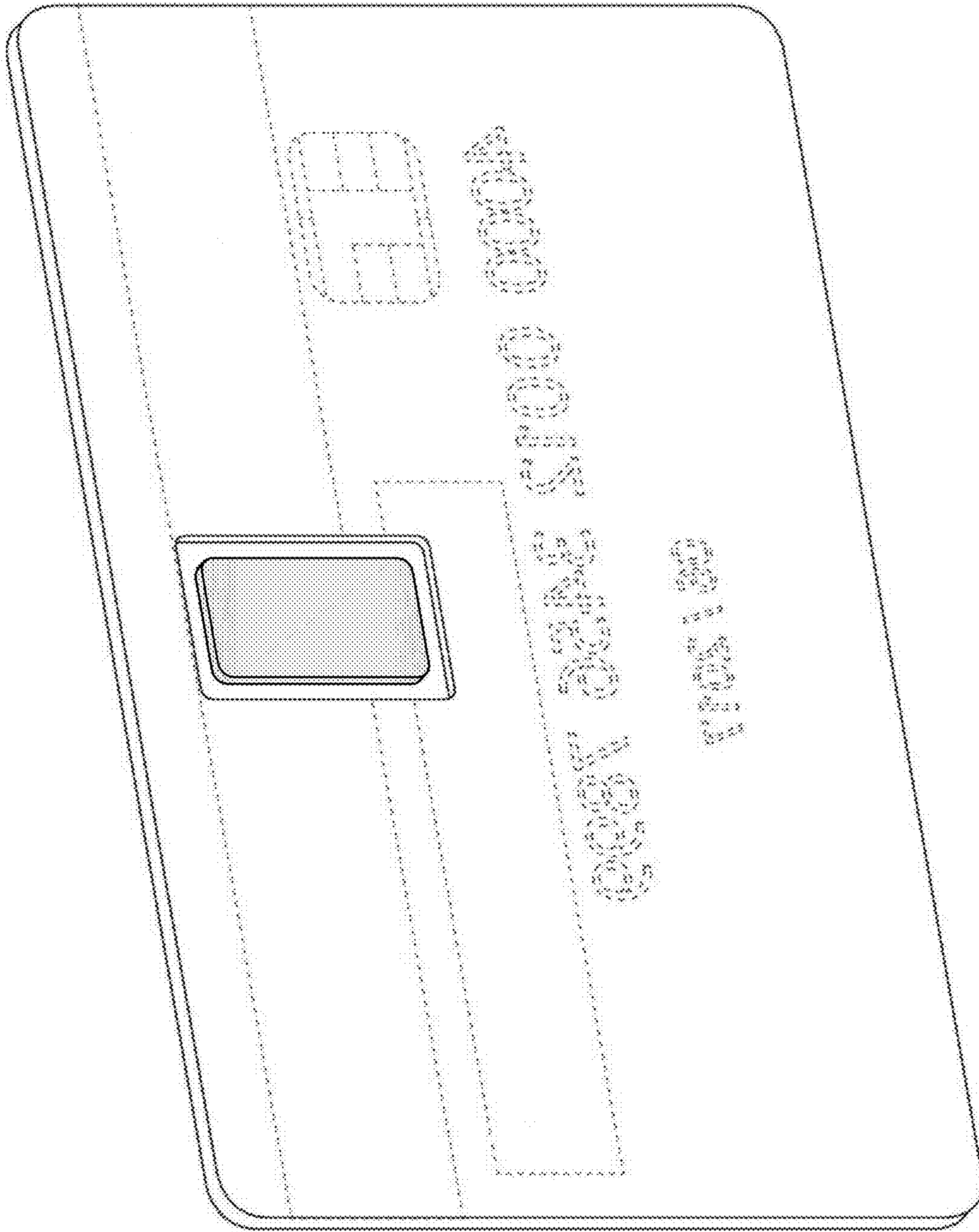
23.1



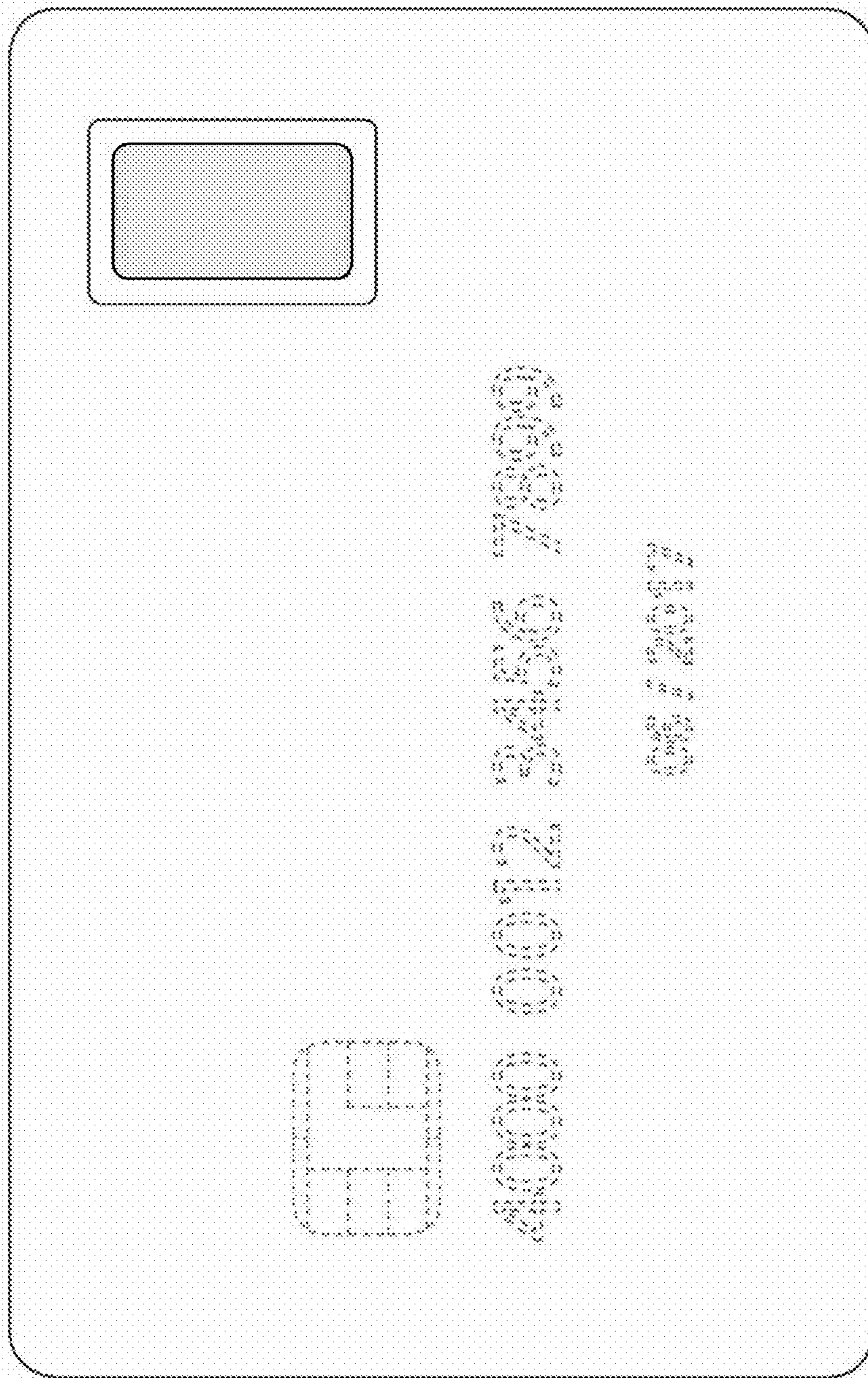
23.2



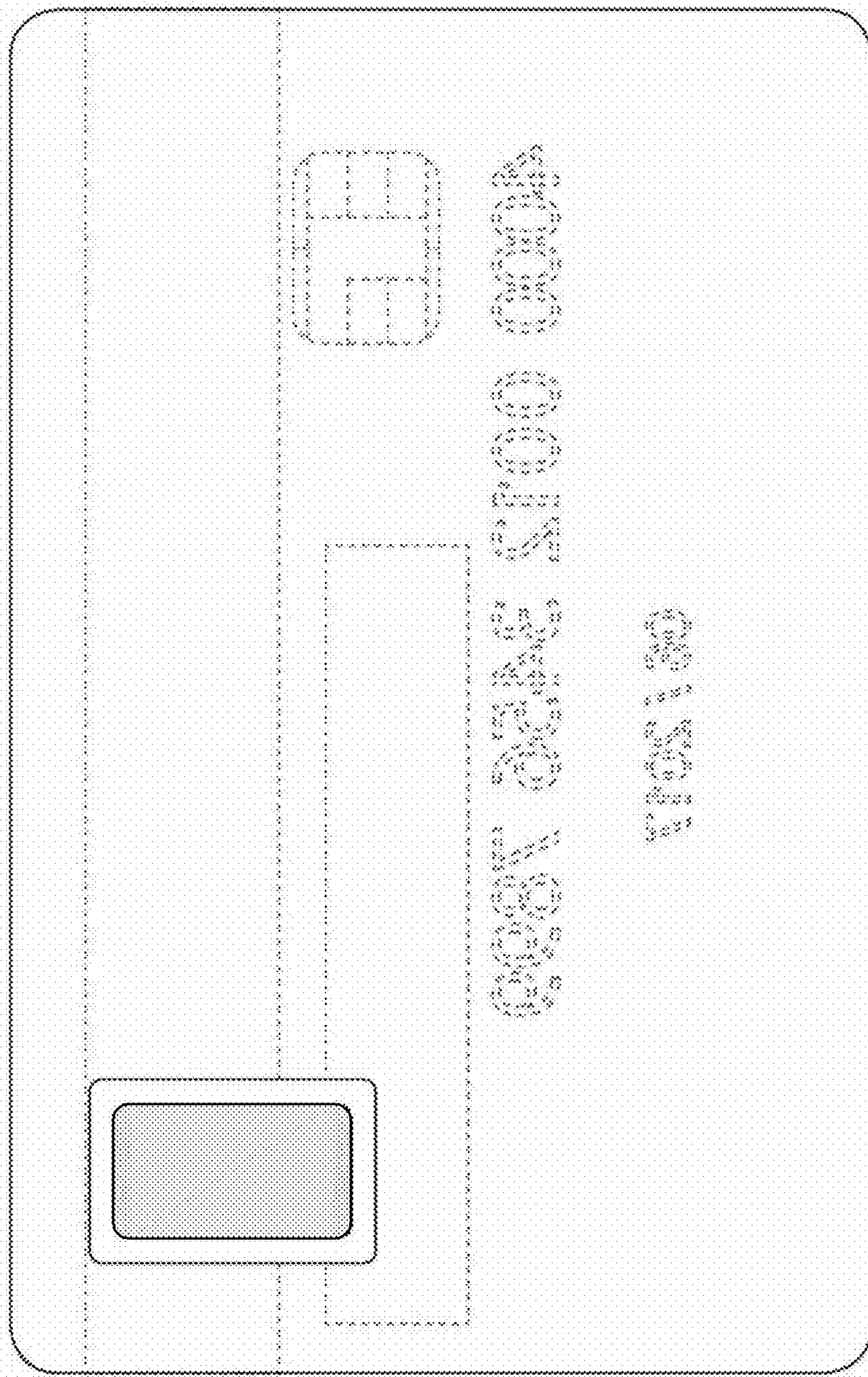
23.3



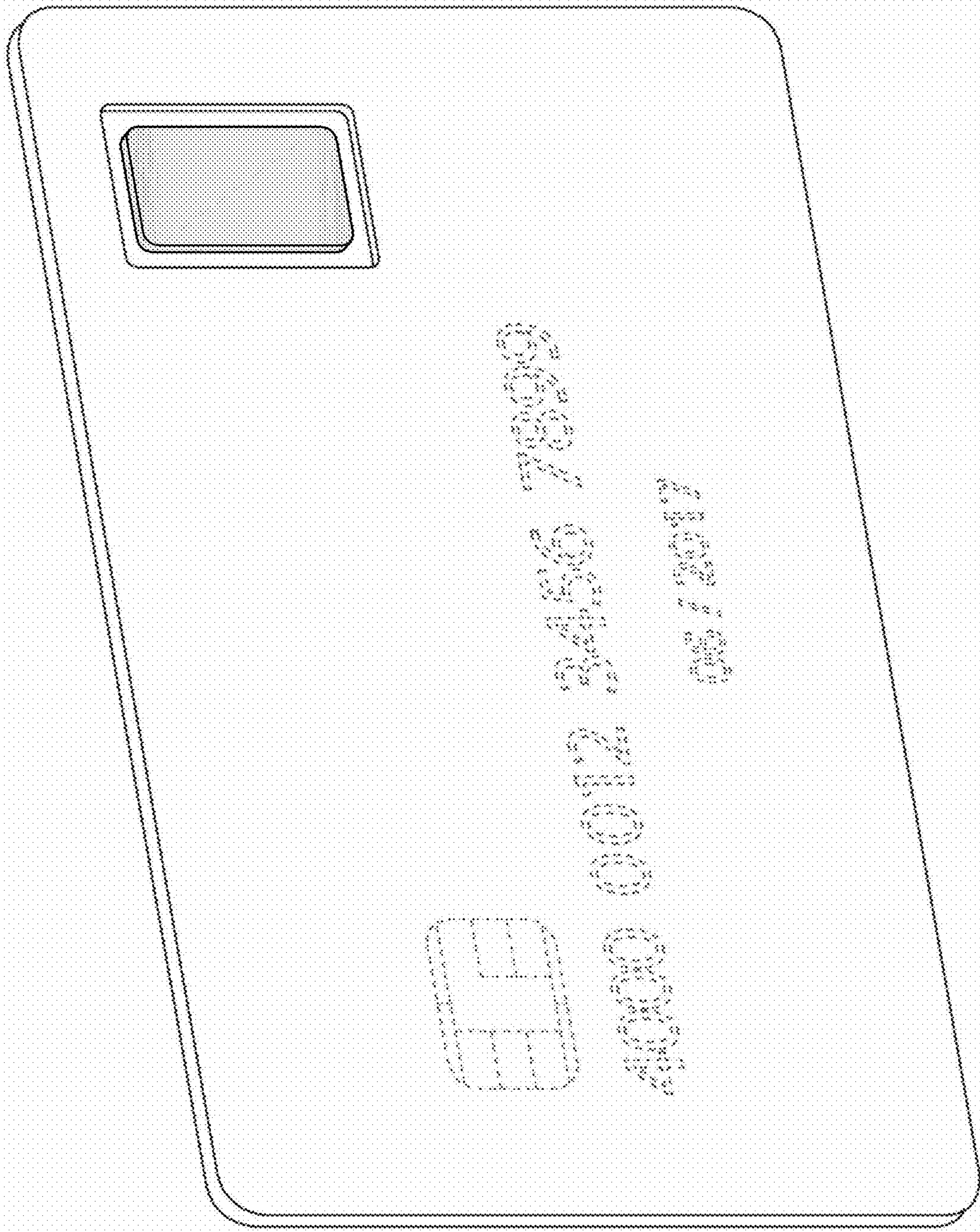
23.4



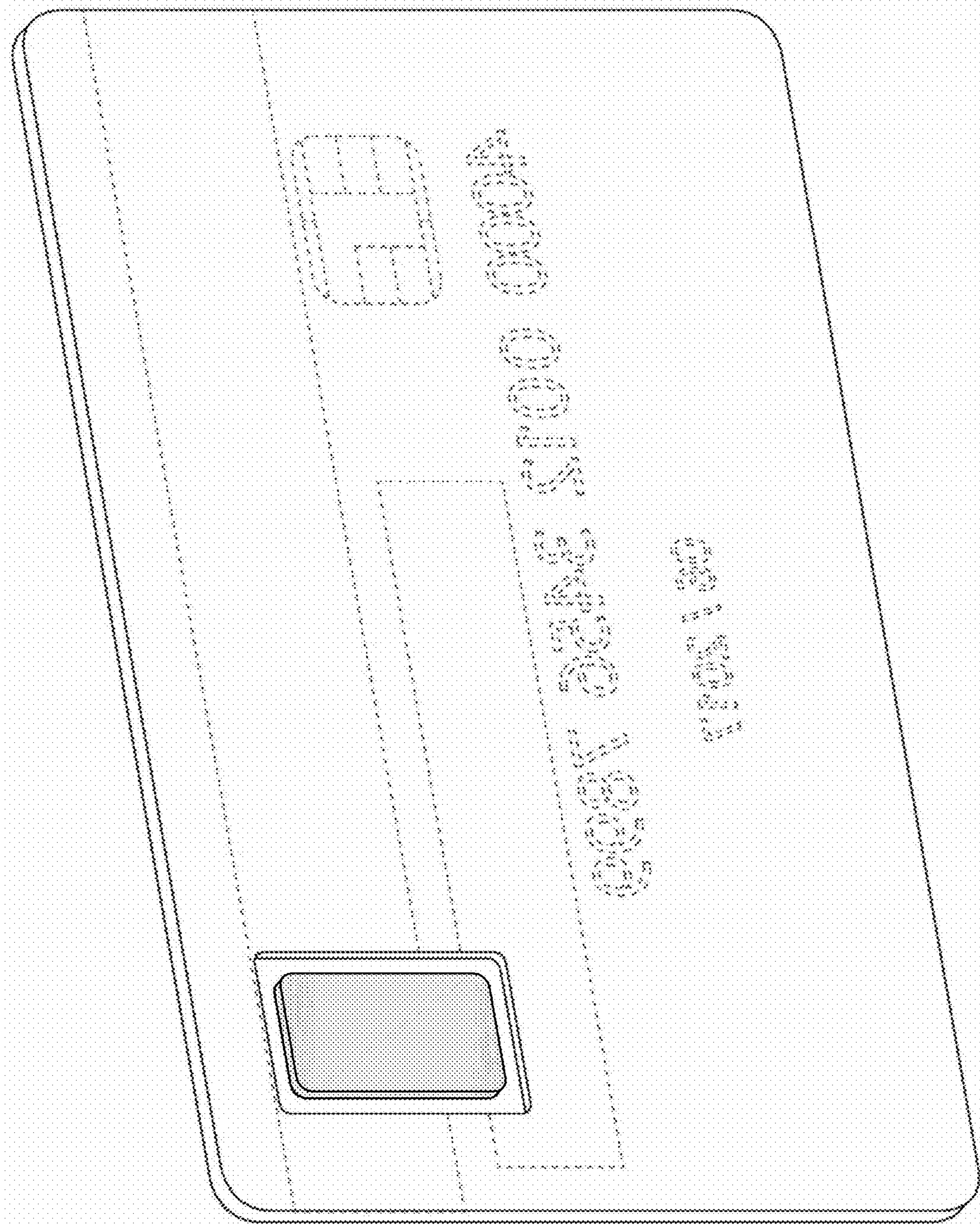
24.1



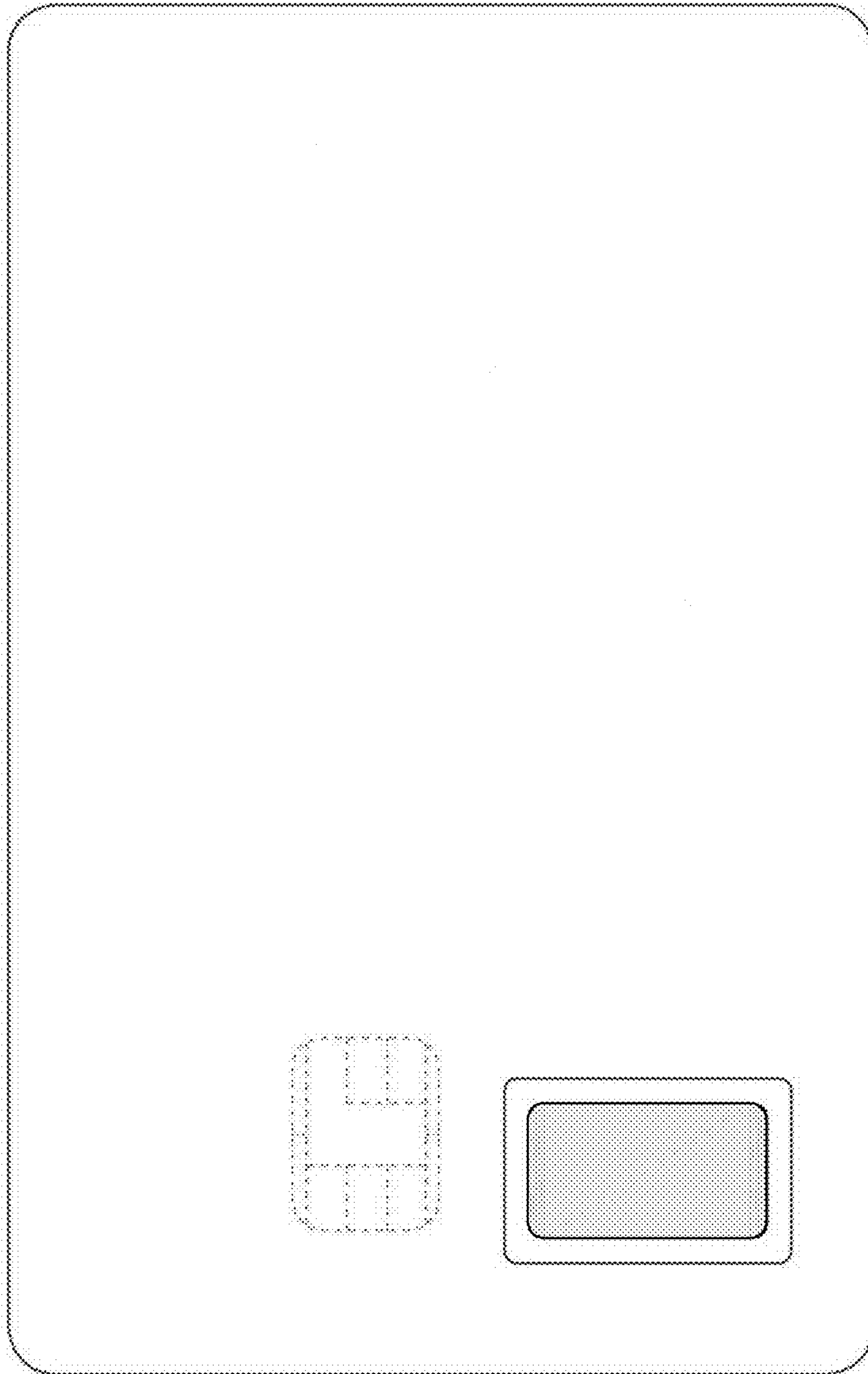
24.2



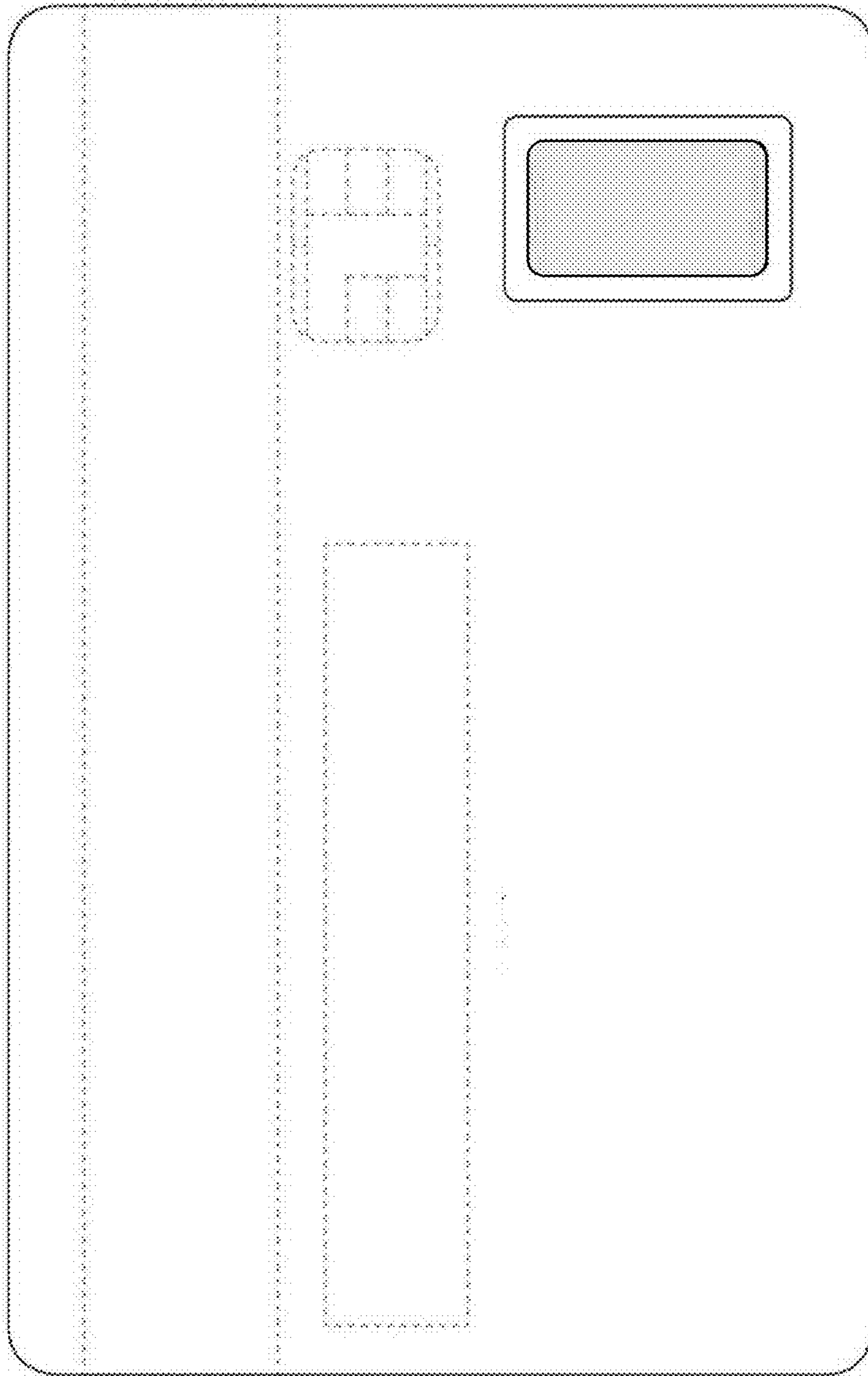
24.3



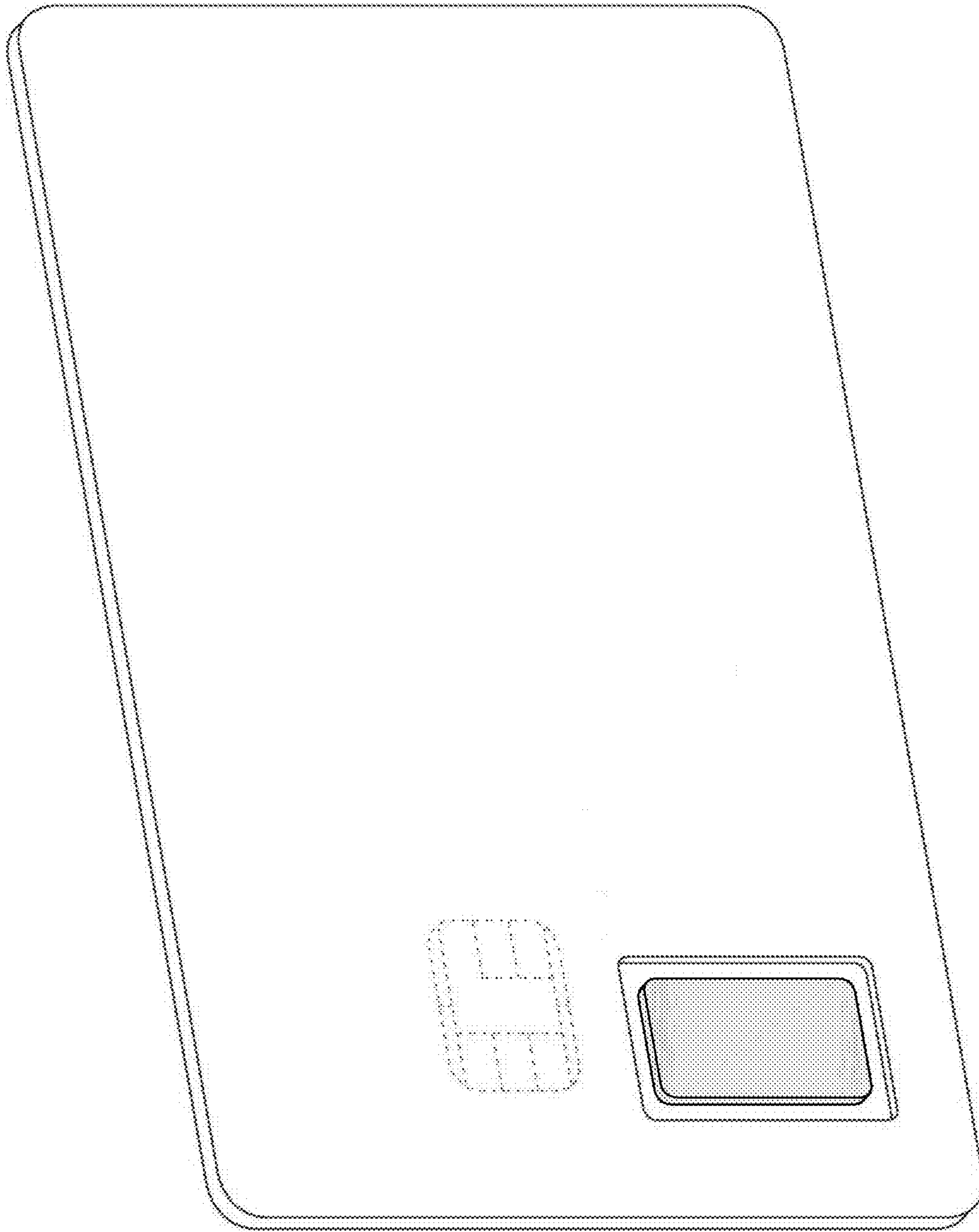
24.4



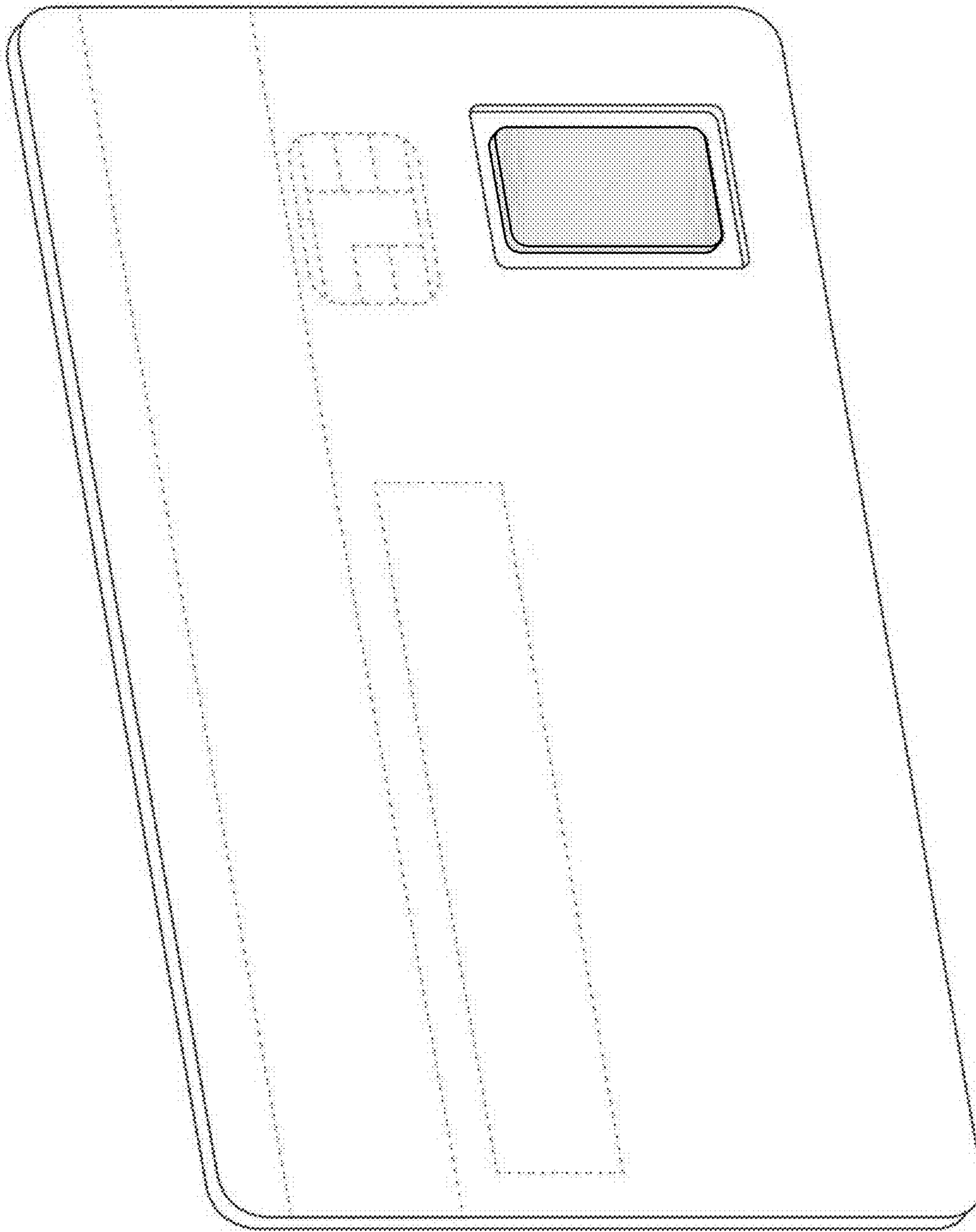
25.1



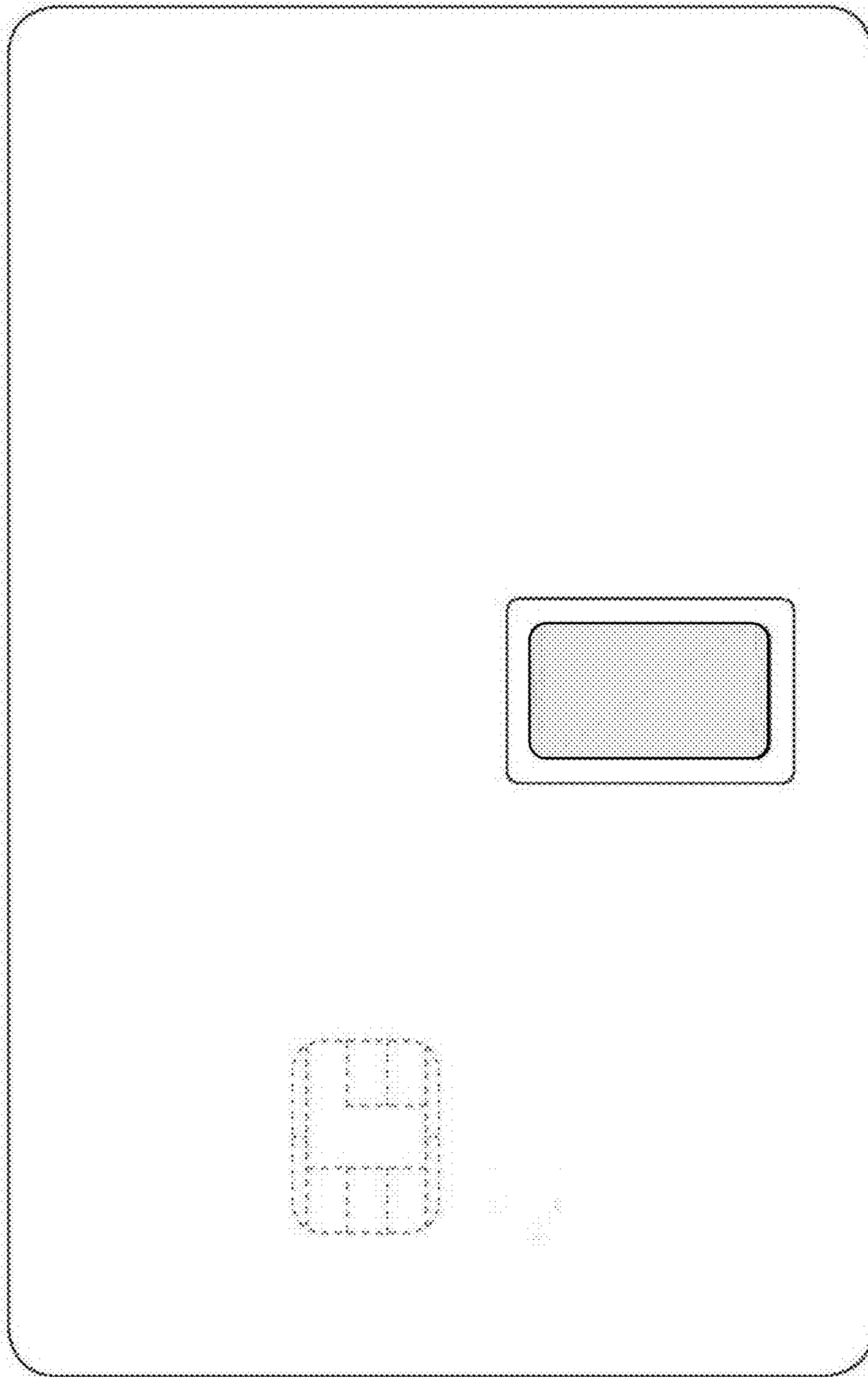
25.2



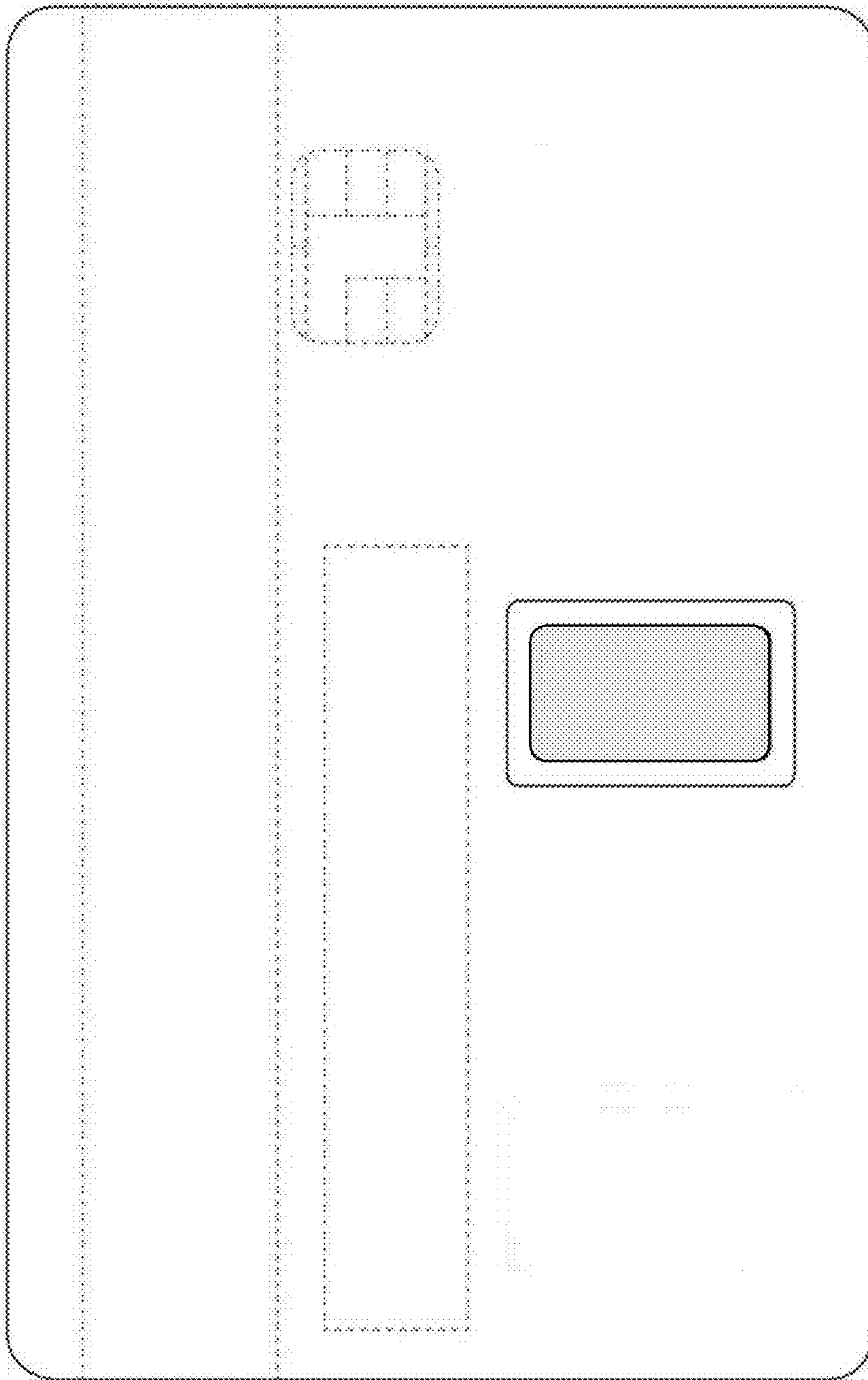
25.3



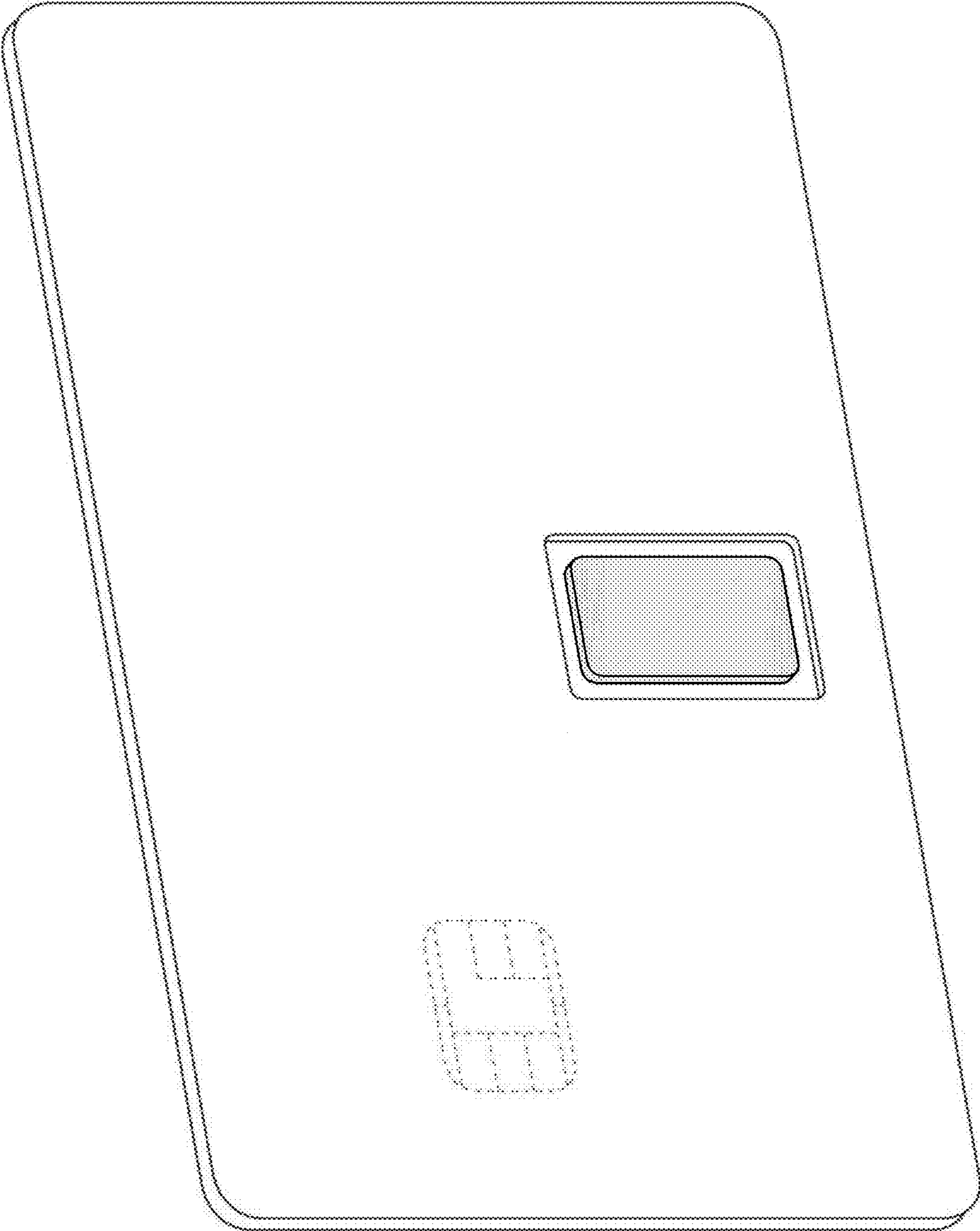
25.4



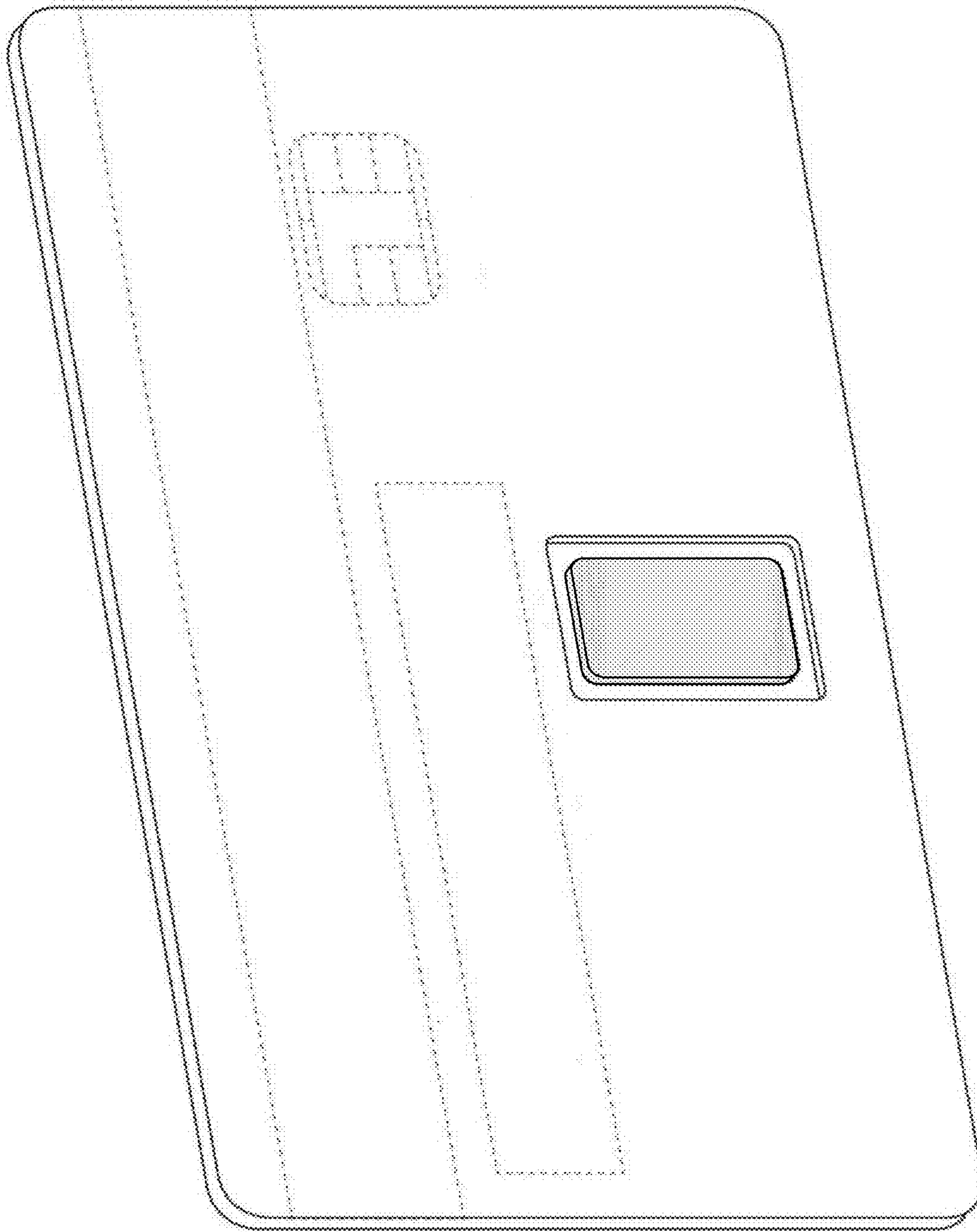
26.1



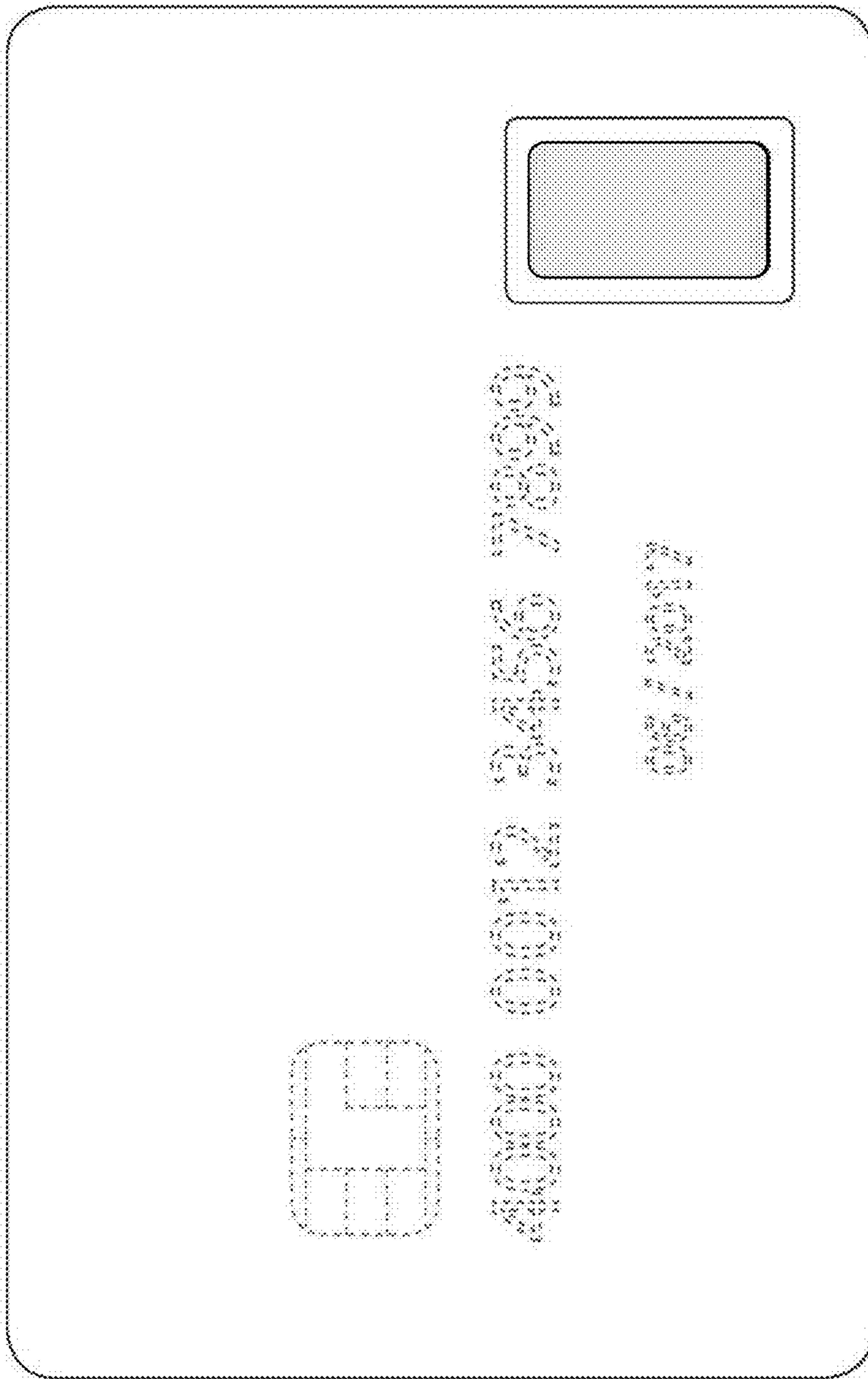
26.2



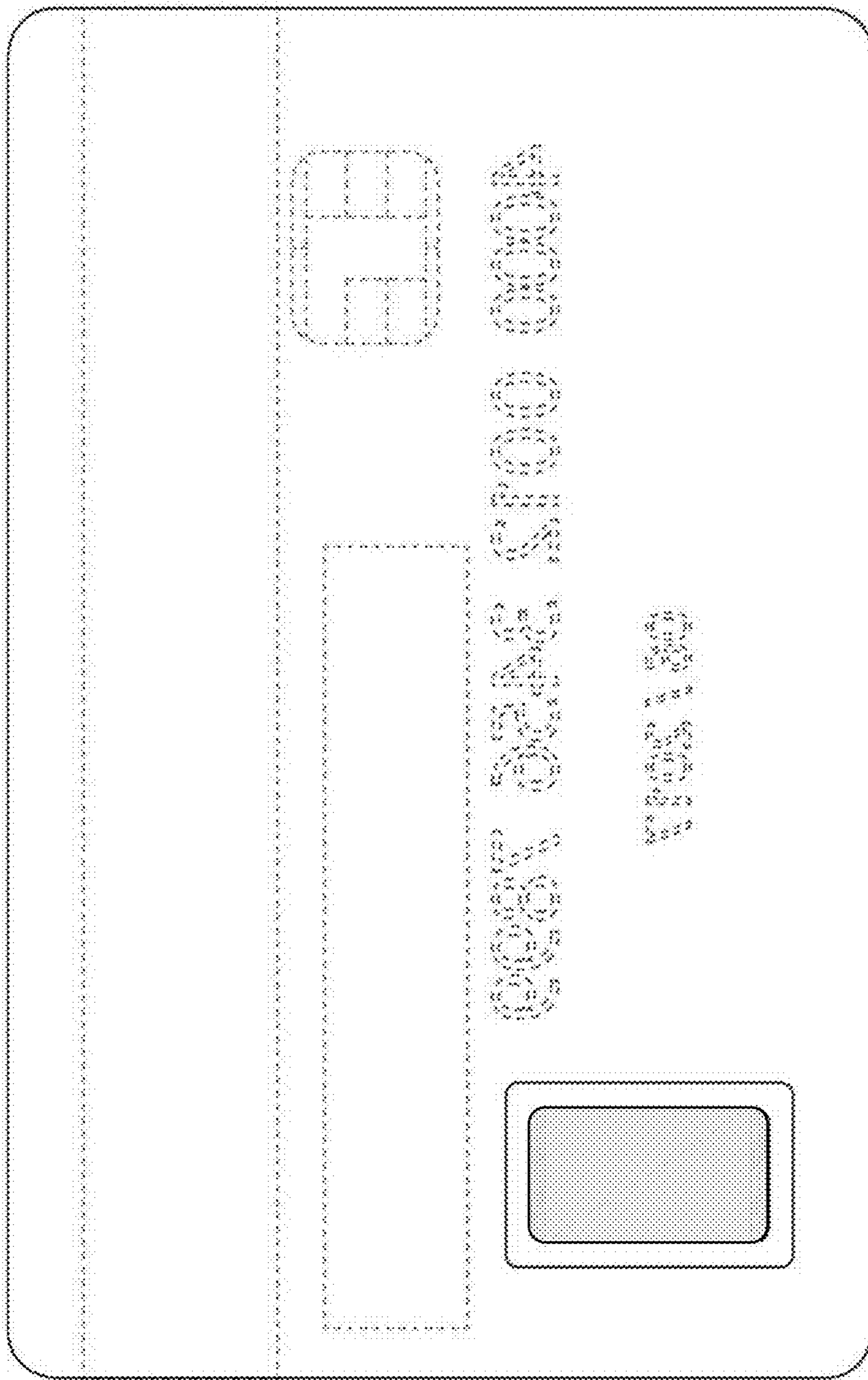
26.3



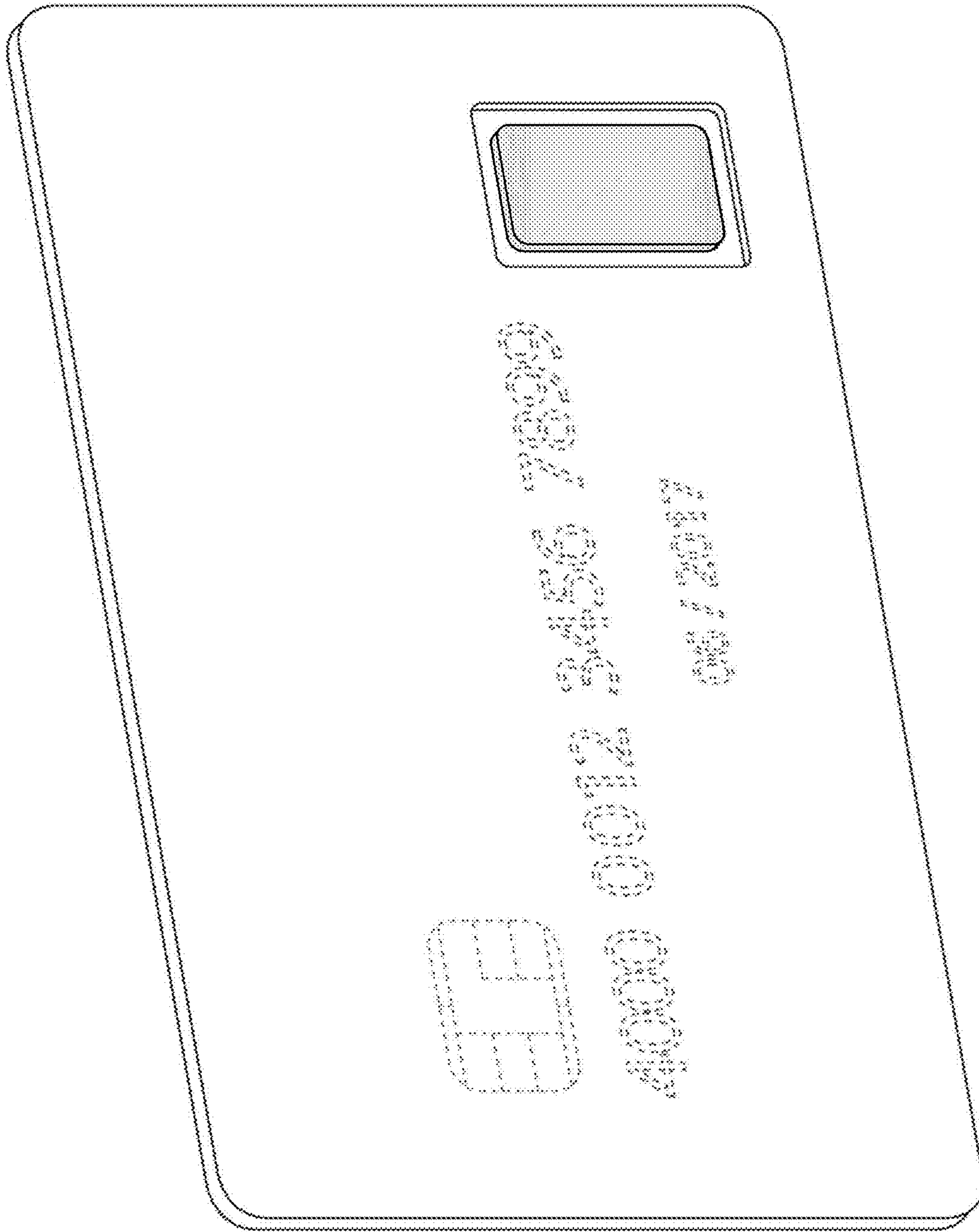
26.4



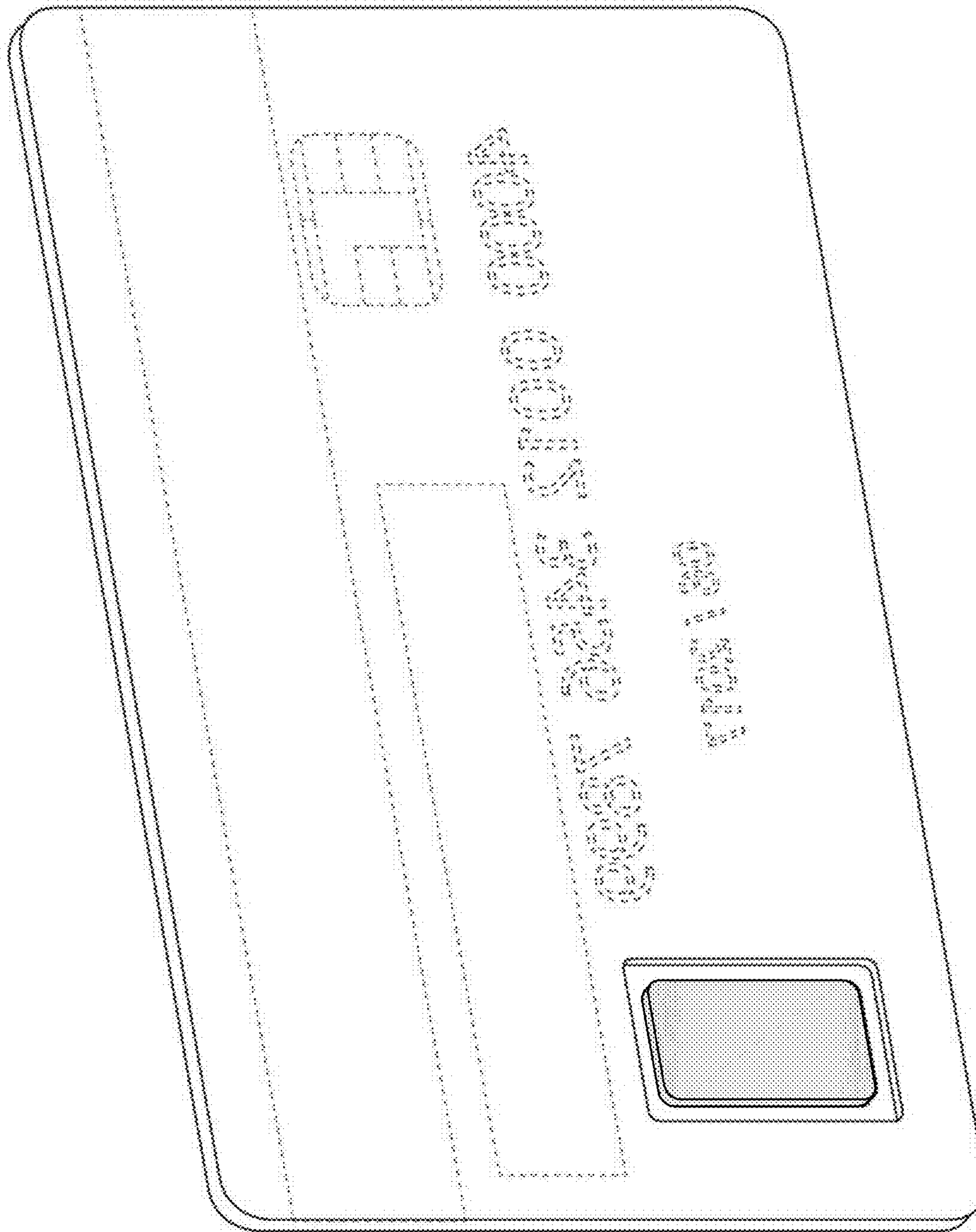
27.1



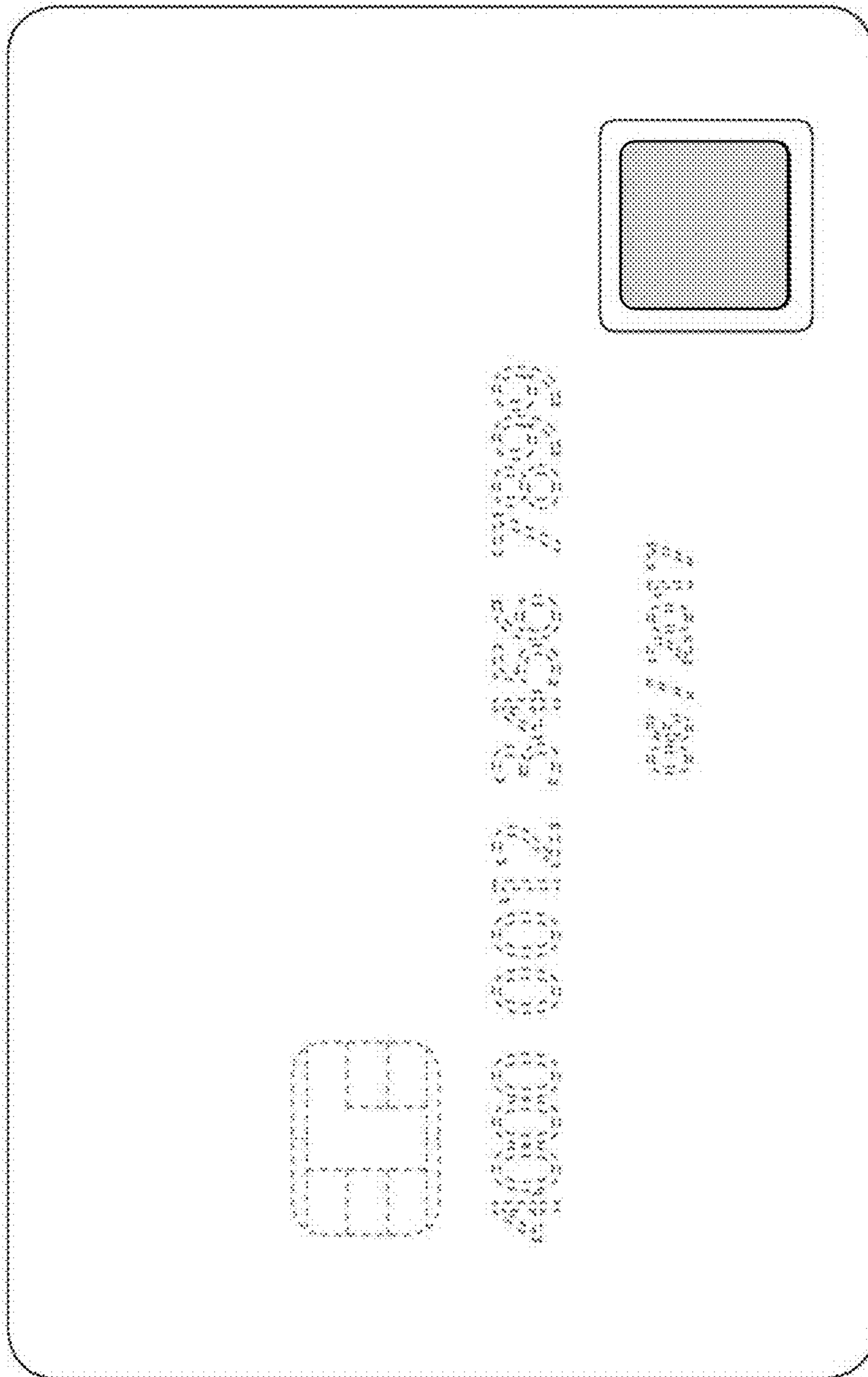
27.2



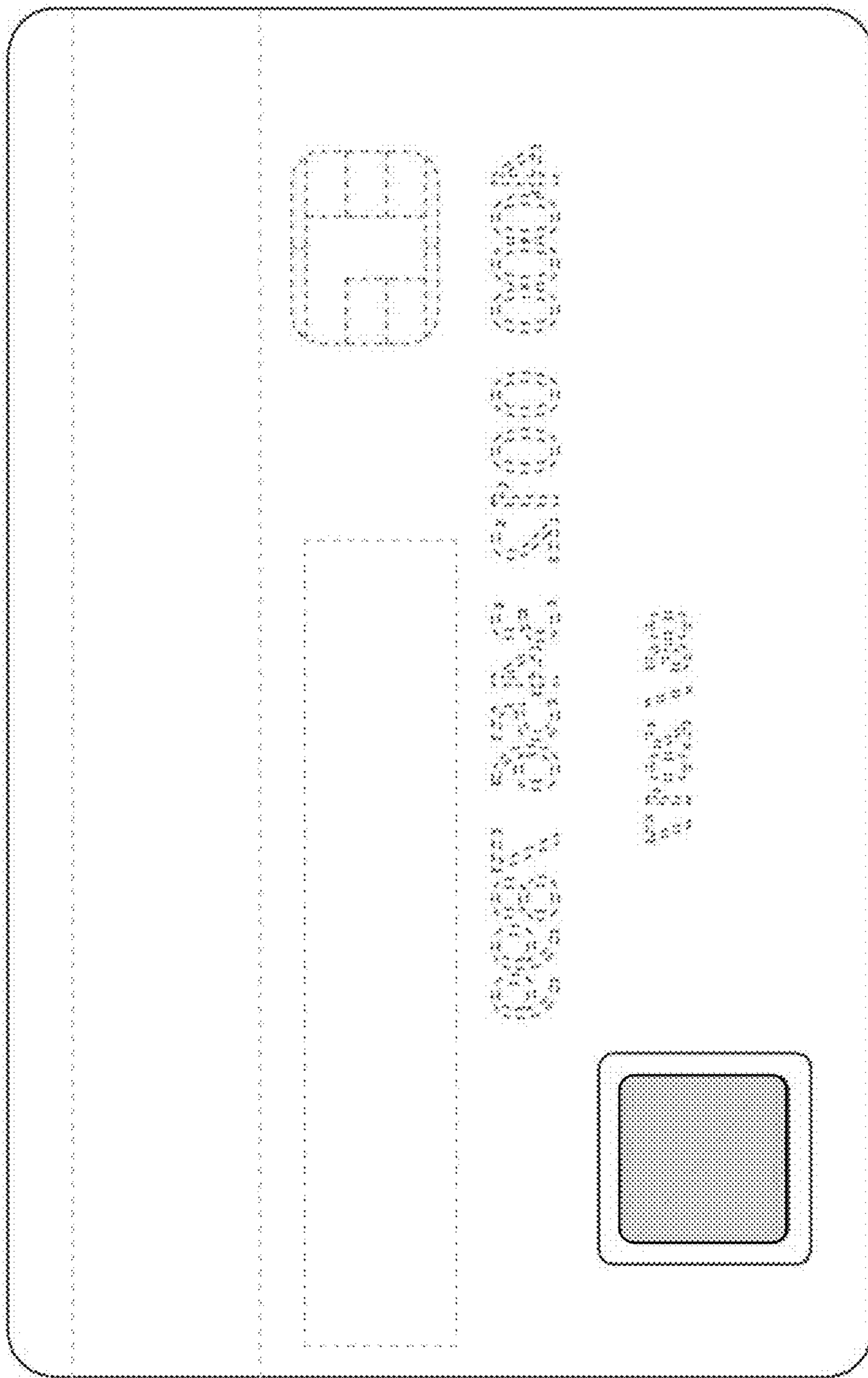
27.3



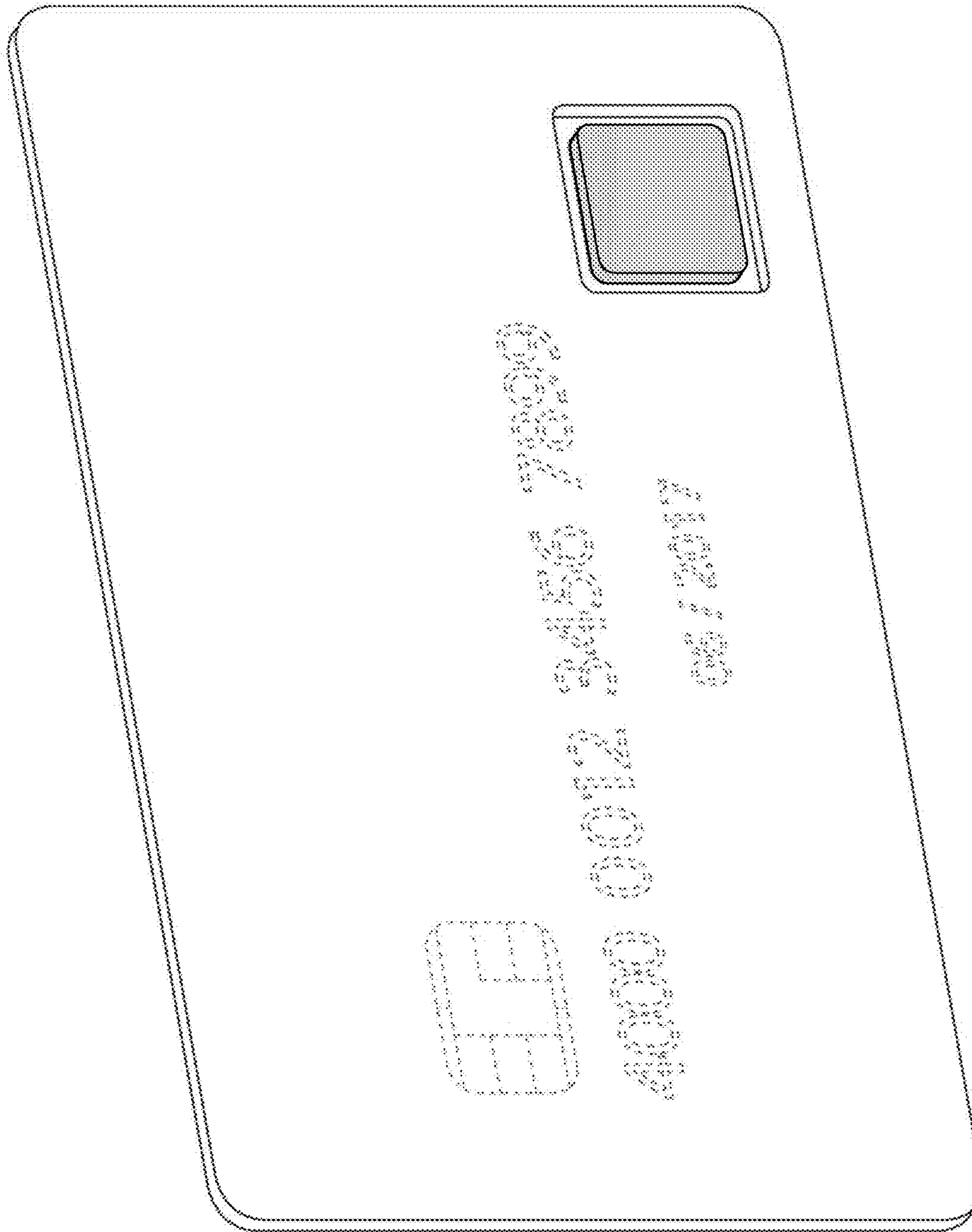
27.4



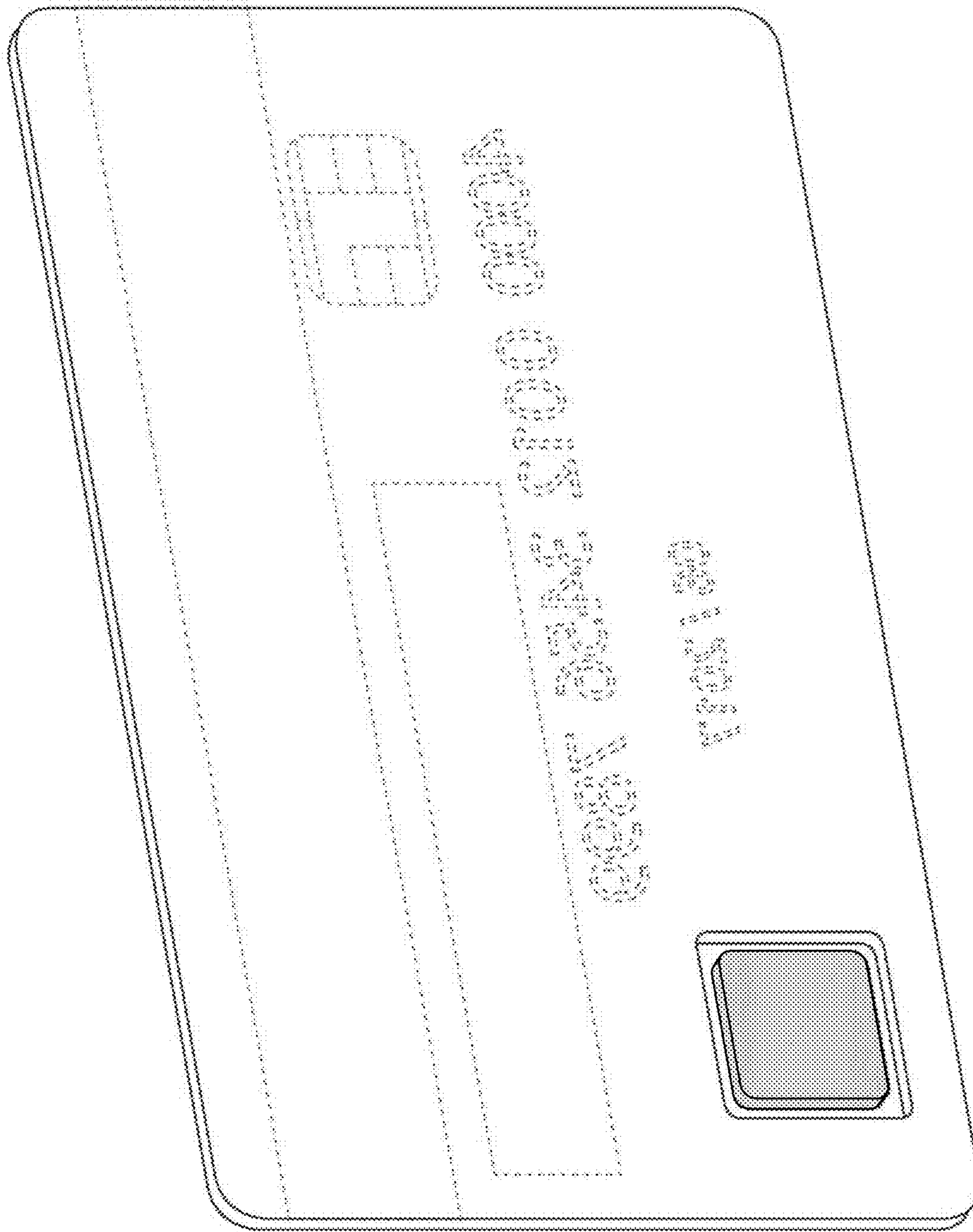
28.1



28.2



28.3



28.4