



US00D868886S

(12) **United States Design Patent**  
**Mita et al.**

(10) **Patent No.:** **US D868,886 S**

(45) **Date of Patent:** **\*\* Dec. 3, 2019**

(54) **SCANNER**

(71) Applicant: **BROTHER INDUSTRIES, LTD.**,  
Nagoya-shi, Aichi-ken (JP)

(72) Inventors: **Masayoshi Mita**, Nagoya (JP); **Toshiya Inada**, Nagoya (JP)

(73) Assignee: **BROTHER INDUSTRIES, LTD.**,  
Nagoya (JP)

(\*\*) Term: **15 Years**

(21) Appl. No.: **29/664,894**

(22) Filed: **Sep. 28, 2018**

(30) **Foreign Application Priority Data**

Mar. 29, 2018 (JP) ..... 2018-006858

(51) **LOC (12) Cl.** ..... **14-02**

(52) **U.S. Cl.**  
USPC ..... **D18/56**

(58) **Field of Classification Search**  
USPC ..... D18/55, 50, 53, 54, 56, 59, 36, 37, 38,  
D18/39, 40, 41, 45, 49; D14/301, 307,  
D14/121

CPC ..... H04N 1/00204; H04N 1/00249; H04N  
1/00278; G06K 15/12; G06K 15/14; B41J  
3/00; B41J 3/28; B41J 3/445; B41J 3/46  
See application file for complete search history.

(56) **References Cited**

**U.S. PATENT DOCUMENTS**

D685,414 S \* 7/2013 Jeong ..... D18/53  
D701,563 S \* 3/2014 Kim ..... D18/39  
D756,361 S \* 5/2016 Huang ..... D14/421  
D800,123 S \* 10/2017 Tashima ..... D14/421  
D803,309 S \* 11/2017 Takahashi ..... D18/39  
D803,310 S \* 11/2017 Takahashi ..... D18/39  
D808,461 S \* 1/2018 Tashima ..... D18/55

D809,594 S \* 2/2018 Tashima ..... D18/55  
D812,683 S \* 3/2018 Inada ..... D18/50  
D812,684 S \* 3/2018 Tashima ..... D18/50  
D826,321 S \* 8/2018 Kim ..... D18/53  
D830,451 S \* 10/2018 Makino ..... D18/53  
D849,134 S \* 5/2019 Kimura ..... D18/55

**FOREIGN PATENT DOCUMENTS**

KR 300481882.0000 \* 3/2008

**OTHER PUBLICATIONS**

Amazon. Link: [https://www.amazon.com/HP-ScanJet-Enterprise-L2725B-BGJ/dp/B00E7B2BAK/ref=pd\\_sbs\\_229\\_5/138-5274588-7438336?\\_encoding=UTF8&pd\\_rd%2E2%80%A6](https://www.amazon.com/HP-ScanJet-Enterprise-L2725B-BGJ/dp/B00E7B2BAK/ref=pd_sbs_229_5/138-5274588-7438336?_encoding=UTF8&pd_rd%2E2%80%A6). Jul. 28, 2013. HP ScanJet Enterprise Flow 7500 Flatbed OCR Scanner (L2725B#BGJ). (Year: 2013).\*

(Continued)

*Primary Examiner* — Susan Bennett Hattan

*Assistant Examiner* — Lauren D McVey

(74) *Attorney, Agent, or Firm* — Oliff PLC

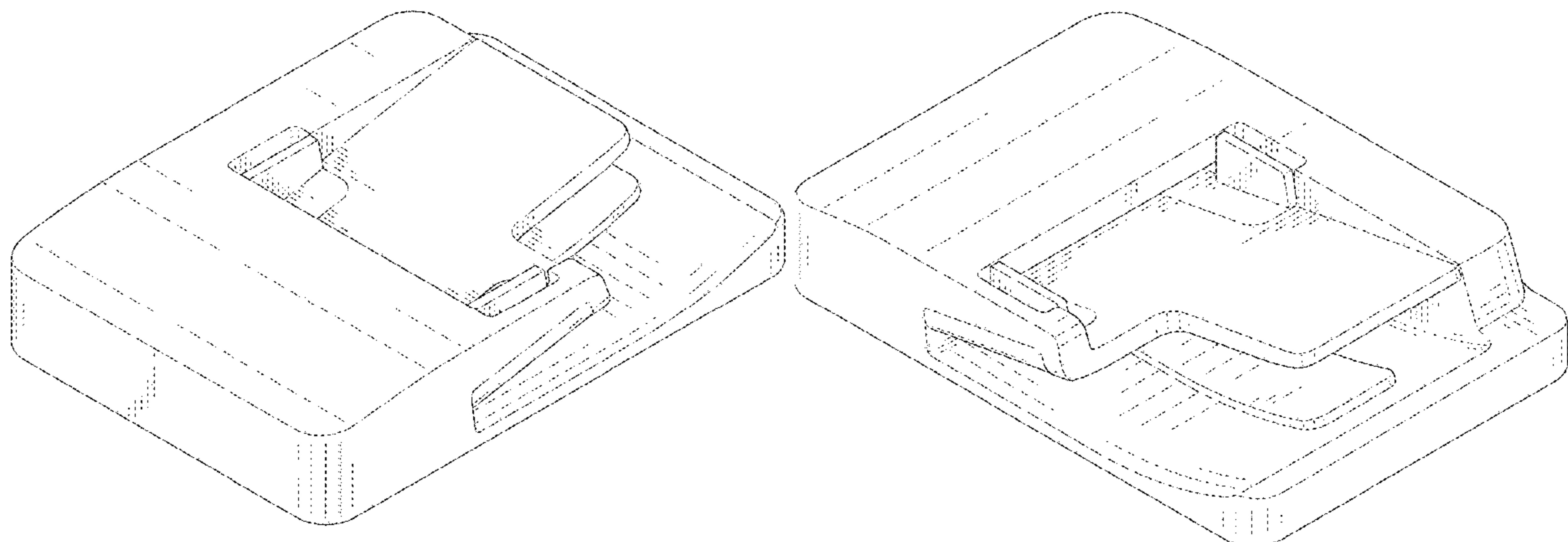
(57) **CLAIM**

The ornamental design for a scanner, as shown and described.

**DESCRIPTION**

FIG. 1 is a left-side perspective view of the scanner;  
FIG. 2 is a front view thereof;  
FIG. 3 is a top view thereof;  
FIG. 4 is a left-side view thereof;  
FIG. 5 is a right-side view thereof;  
FIG. 6 is a rear view thereof;  
FIG. 7 is a bottom view thereof; and,  
FIG. 8 is a right-side perspective view thereof.  
The broken lines depict the portions of the scanner that form no part of the claimed design.

**1 Claim, 7 Drawing Sheets**



(56)

**References Cited**

OTHER PUBLICATIONS

Amazon. Link: [https://www.amazon.com/HP-ScanJet-3500-Flatbed-Scanner/dp/B015GCGPM8/ref=pd\\_sbs\\_229\\_4/138-5274588-7438336?\\_encoding=UTF8&pd\\_rd%2%80%A6](https://www.amazon.com/HP-ScanJet-3500-Flatbed-Scanner/dp/B015GCGPM8/ref=pd_sbs_229_4/138-5274588-7438336?_encoding=UTF8&pd_rd%2%80%A6). Nov. 1, 2015. HP ScanJet Pro 3500 f1 Flatbed OCR Scanner. (Year: 2015).\*

Amazon. Link: [https://www.amazon.com/HP-ScanJet-Enterprise-Document-L2763A/dp/B07MZHQB72/ref=sr\\_1\\_3?keywords=HP+ScanJet+Enterprise+Flow+N9120+fn2+Document+Scanner&qid=1565654656&s=gateway&sr=8-3](https://www.amazon.com/HP-ScanJet-Enterprise-Document-L2763A/dp/B07MZHQB72/ref=sr_1_3?keywords=HP+ScanJet+Enterprise+Flow+N9120+fn2+Document+Scanner&qid=1565654656&s=gateway&sr=8-3). Jan. 22, 2019. HP ScanJet Enterprise Flow N9120 fn2 Flatbed Scanner. (Year: 2019).\*

\* cited by examiner

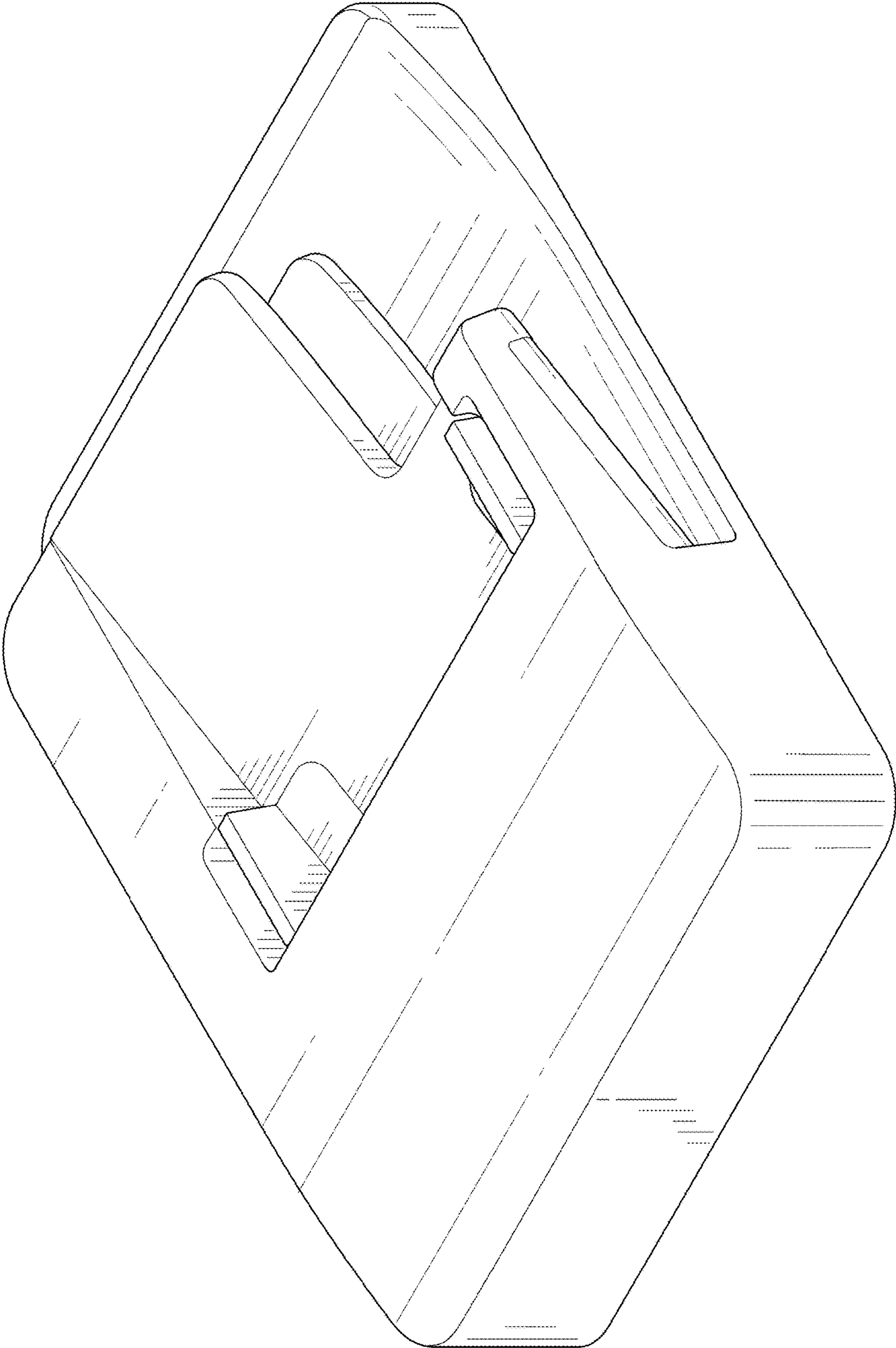


FIG. 1

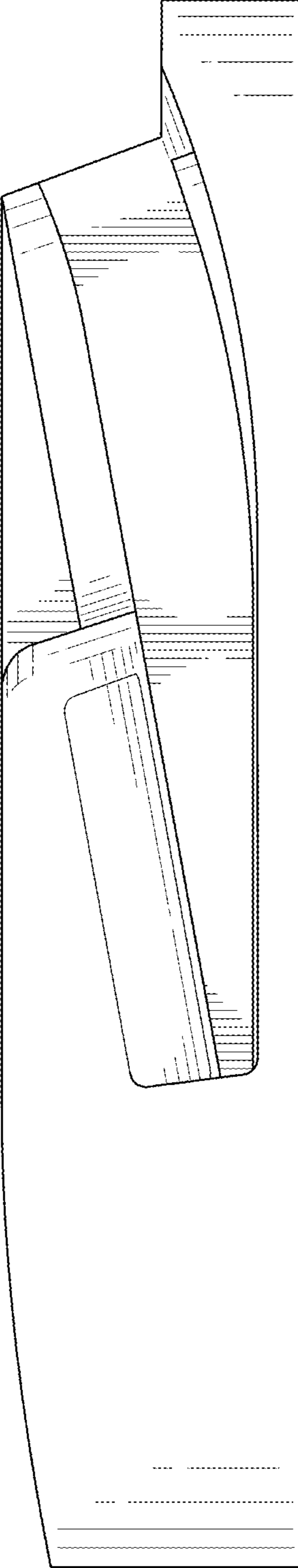


FIG. 2

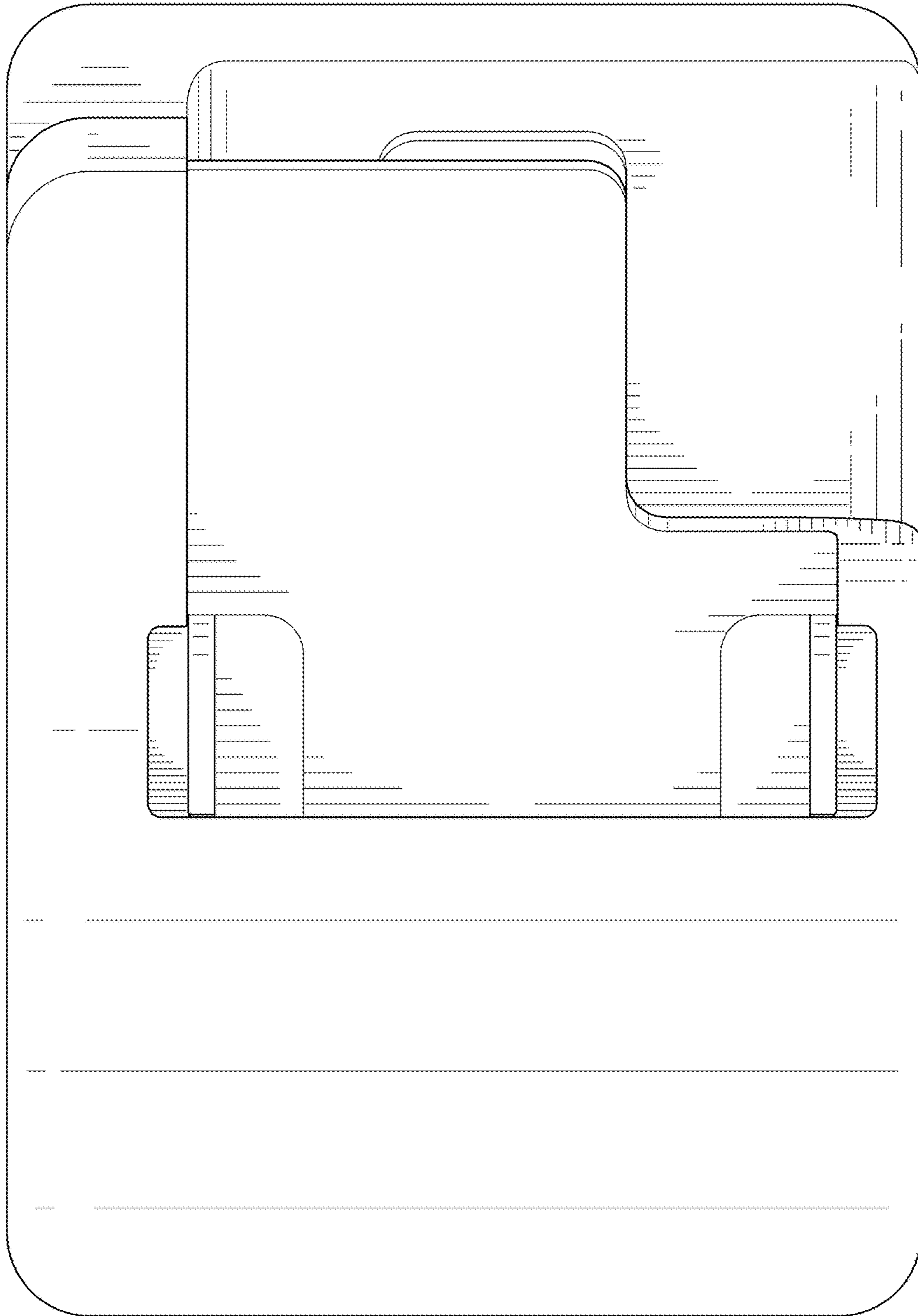


FIG. 3

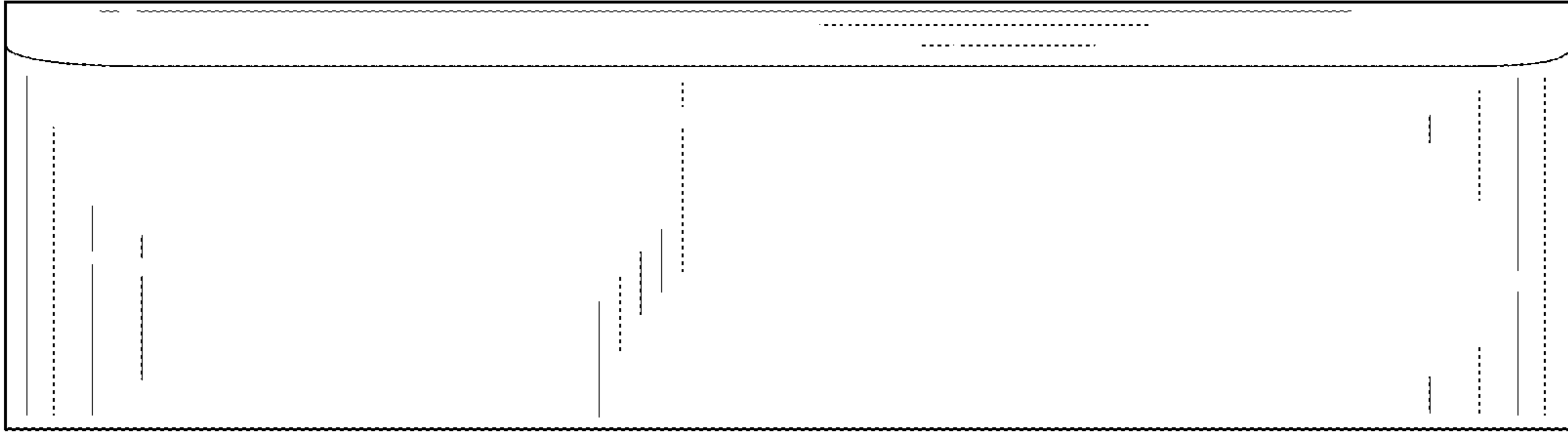


FIG. 4

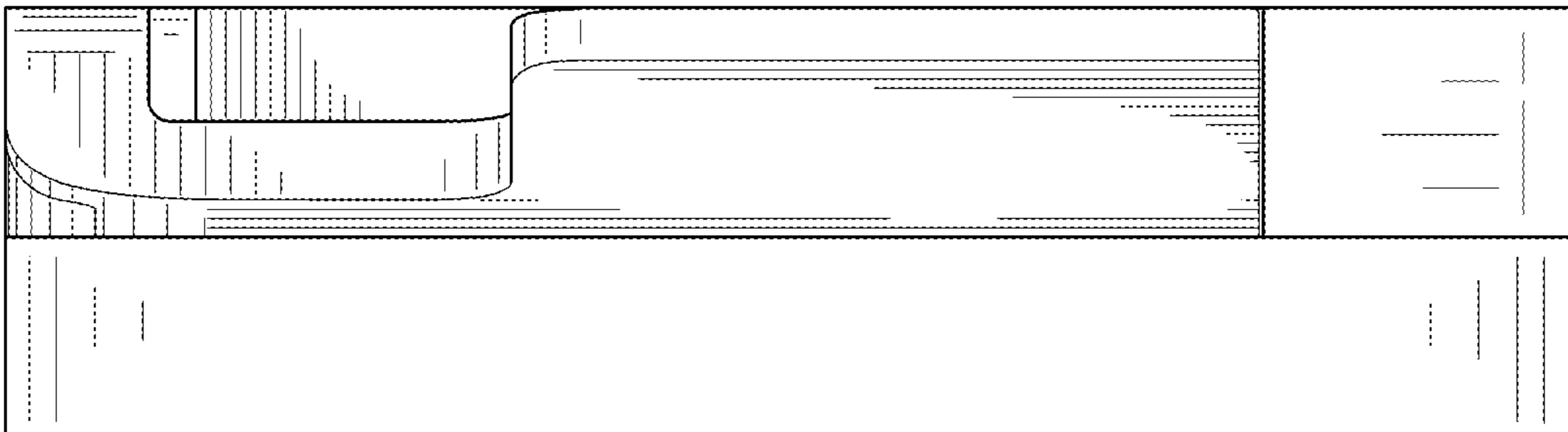


FIG. 5

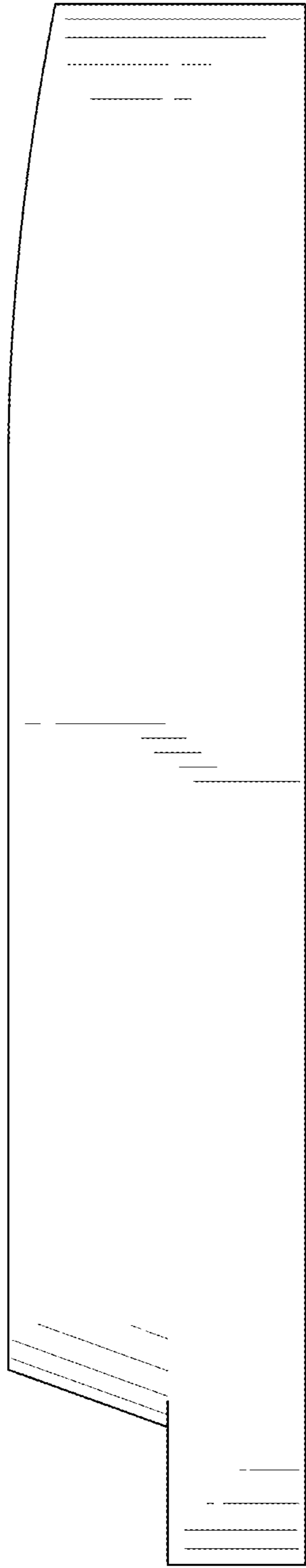


FIG. 6

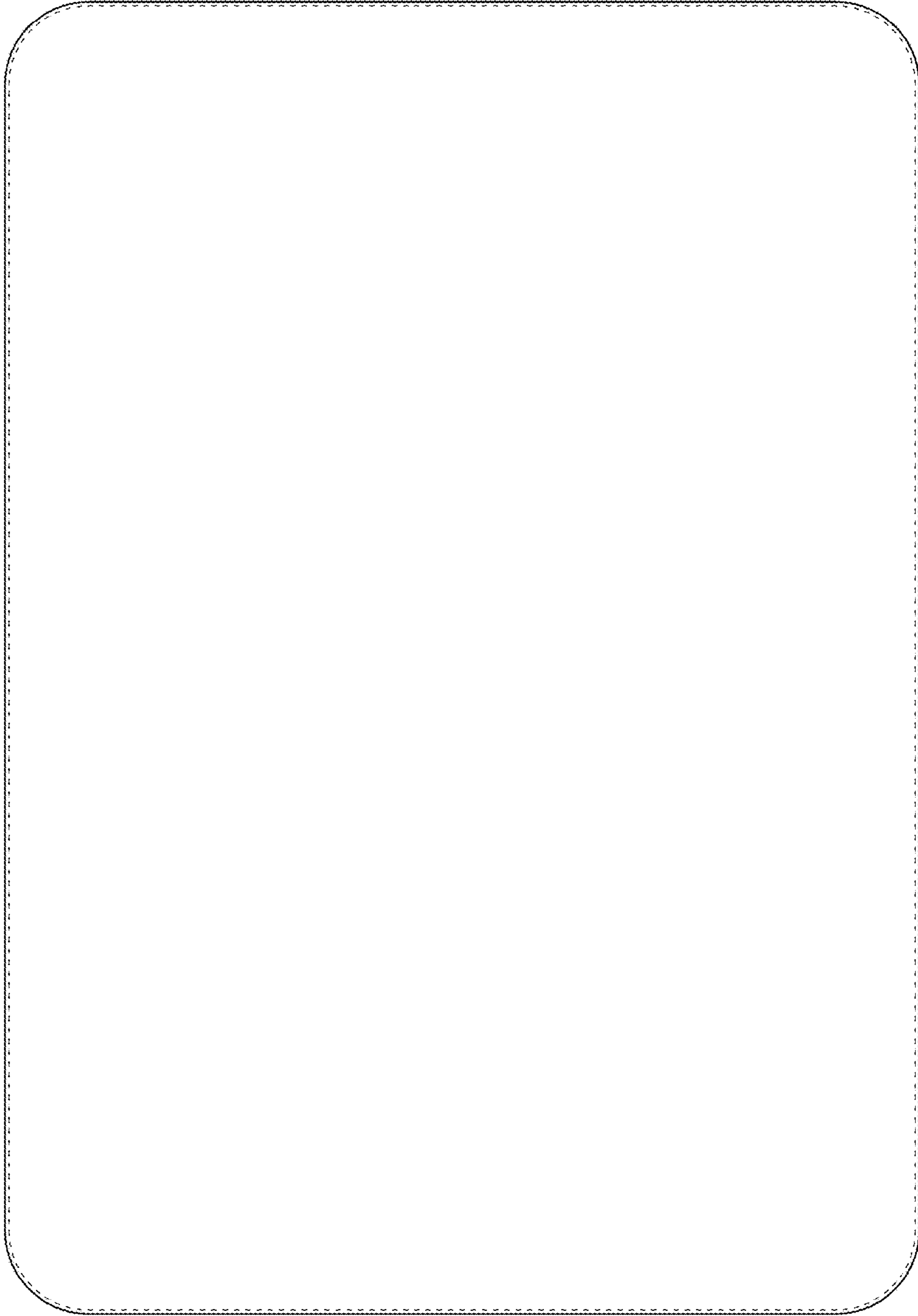


FIG. 7



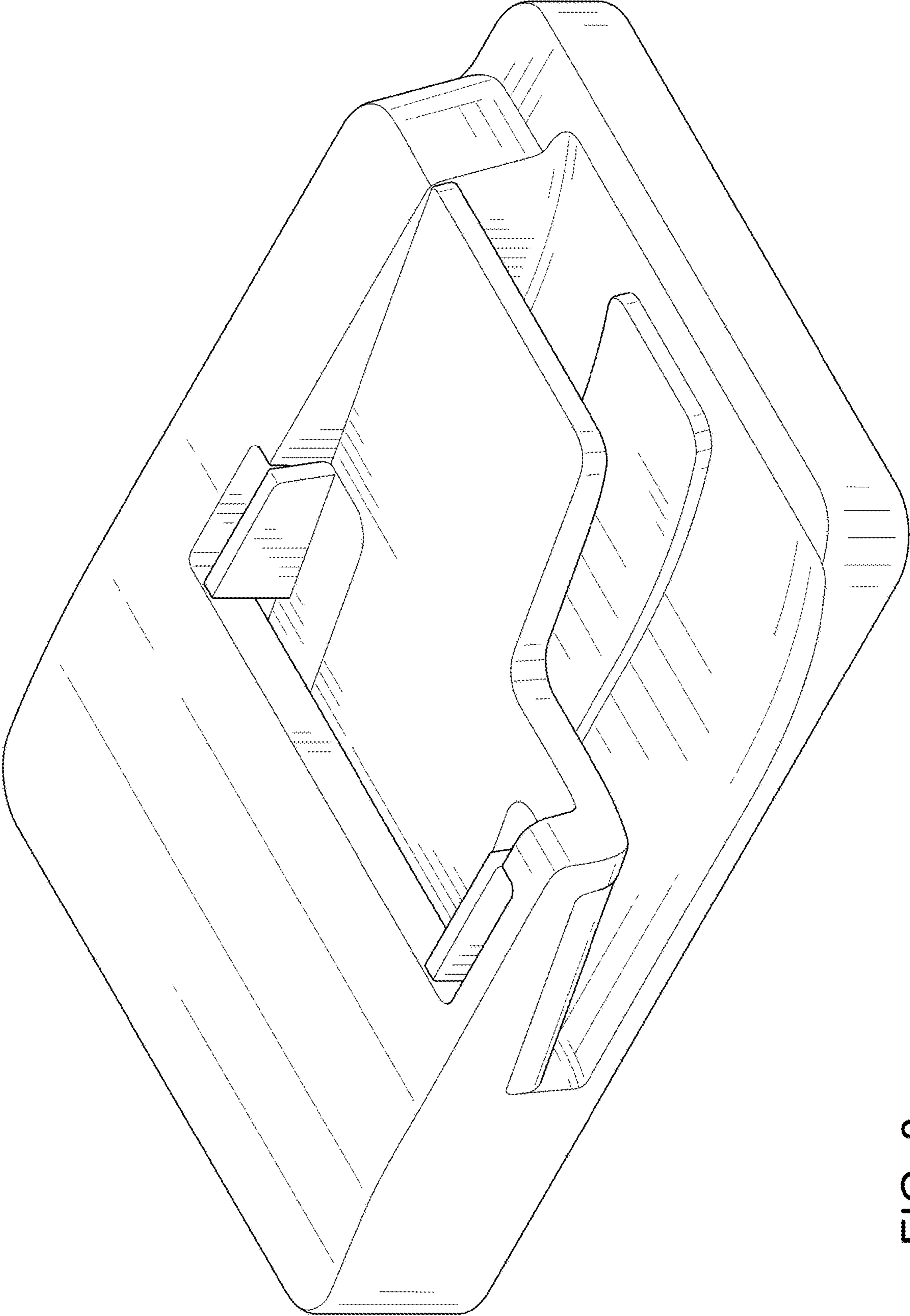


FIG. 8