



US00D868885S

(12) **United States Design Patent**
Pangburn et al.

(10) **Patent No.:** **US D868,885 S**

(45) **Date of Patent:** **** Dec. 3, 2019**

(54) **ELECTROPHOTOGRAPHIC PRINTER
PANEL**

D282,933 S * 3/1986 Hara D18/36
D289,165 S * 4/1987 Oshima D14/462
5,331,373 A * 7/1994 Nomura G03G 21/1864
347/138

(71) Applicant: **Lexmark International, Inc.**,
Lexington, KY (US)

(Continued)

(72) Inventors: **Thomas Eugene Pangburn**,
Winchester, KY (US); **Joseph Edwin
Domhoff**, Shelbyville, KY (US); **Steven
David Sieckowski**, Brecksville, OH
(US)

FOREIGN PATENT DOCUMENTS

JP D1529830 * 7/2015

(73) Assignee: **Lexmark International, Inc.**,
Lexington, KY (US)

OTHER PUBLICATIONS

Amazon. Link: https://www.amazon.com/dp/B01B6LY87M/ref=cm_sw_em_r_mt_dp_U_5MuxDbJED3J0E. Jan. 28, 2016. Lexmark CS725de Color Laser Printer. (Year: 2016).*

(Continued)

(**) Term: **15 Years**

Primary Examiner — Susan Bennett Hattan

Assistant Examiner — Lauren D McVey

(21) Appl. No.: **29/647,571**

(22) Filed: **May 14, 2018**

Related U.S. Application Data

(63) Continuation of application No. 29/547,821, filed on
Dec. 8, 2015, now abandoned.

(51) **LOC (12) Cl.** **14-02**

(52) **U.S. Cl.**
USPC **D18/56**

(58) **Field of Classification Search**
USPC D18/55, 50, 53, 54, 56, 59, 36, 37, 38,
D18/39, 40, 41, 45, 49; D14/301, 307,
D14/121

CPC H04N 1/00204; H04N 1/00249; H04N
1/00278; G06K 15/12; G06K 15/14; B41J
3/00; B41J 3/28; B41J 3/445; B41J 3/46
See application file for complete search history.

(56) **References Cited**

U.S. PATENT DOCUMENTS

3,740,132 A * 6/1973 Komori G03B 27/6228
399/95
D280,205 S * 8/1985 Okuyama D18/36

(57) **CLAIM**

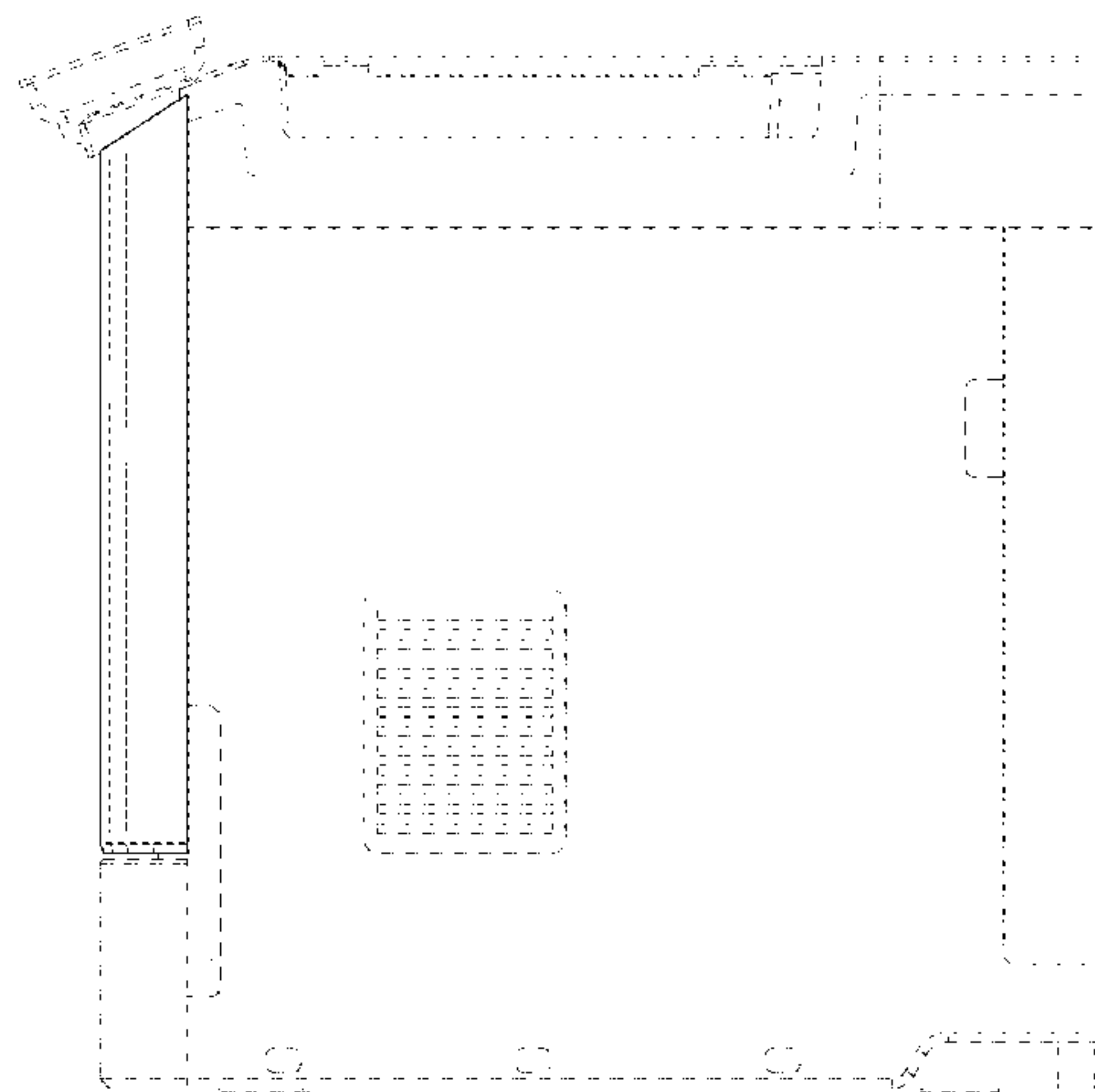
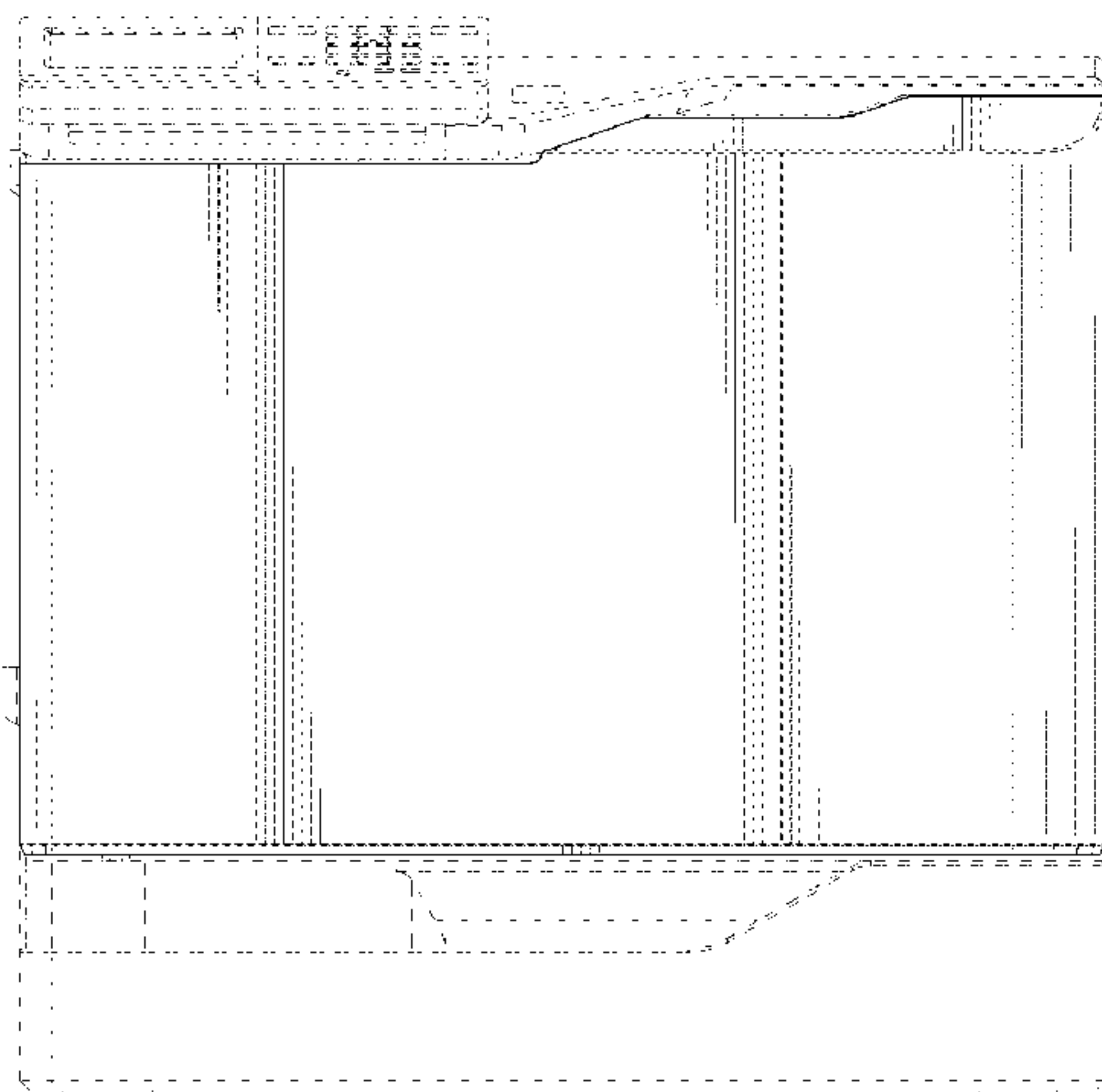
The ornamental design for an electrophotographic printer panel, as shown and described.

DESCRIPTION

FIG. 1 is a front, top and right side perspective view of an electrophotographic printer panel showing our new design; FIG. 2 is a rear, top and left side perspective thereof; FIG. 3 is a front elevation thereof; FIG. 4 is a right side view elevation thereof; FIG. 5 is a rear elevation view thereof; FIG. 6 is a left side elevation view thereof; and, FIG. 7 is a top plan view thereof.

The bottom of the printer is not shown and is not claimed. The features shown in broken lines depict environmental subject matter only and form no part of the claimed design.

1 Claim, 7 Drawing Sheets



(56)

References Cited

U.S. PATENT DOCUMENTS

5,878,309 A * 3/1999 Nomura G03G 21/181
399/111
6,643,482 B2 * 11/2003 Higeta G03G 21/181
399/109
D619,639 S * 7/2010 Brown D18/40
D655,747 S * 3/2012 Shin D18/39
D678,941 S * 3/2013 Gilbert D18/55
D689,544 S * 9/2013 Penke D18/50
D755,284 S * 5/2016 Terenzio D18/50
D795,953 S * 8/2017 Clark, III D18/55

OTHER PUBLICATIONS

Amazon. Link: https://www.amazon.com/dp/B01BBL1JYM/ref=cm_sw_em_r_mt_dp_U_kT1IDbSCYVMRH. Jan. 25, 2016. Lexmark CX725DHE Color Laser Multifunction Printer (40C9501). (Year: 2016).*

Amazon. Link: https://www.amazon.com/dp/B01BBL1MVM/ref=cm_sw_em_r_mt_dp_U_6txDbDE7XH8S. Jan. 25, 2016. Lexmark CX825DTE Color Laser Multifunction Printer (42K0041). (Year: 2016).*

Amazon. Link: https://www.amazon.com/dp/B07JFP3DR3/ref=cm_sw_em_r_mt_dp_U_IRuxDbVNAMTVR. Oct. 9, 2018. Lexmark B2650dw Monochrome Laser Printer (36SC471). (Year: 2018).*

* cited by examiner

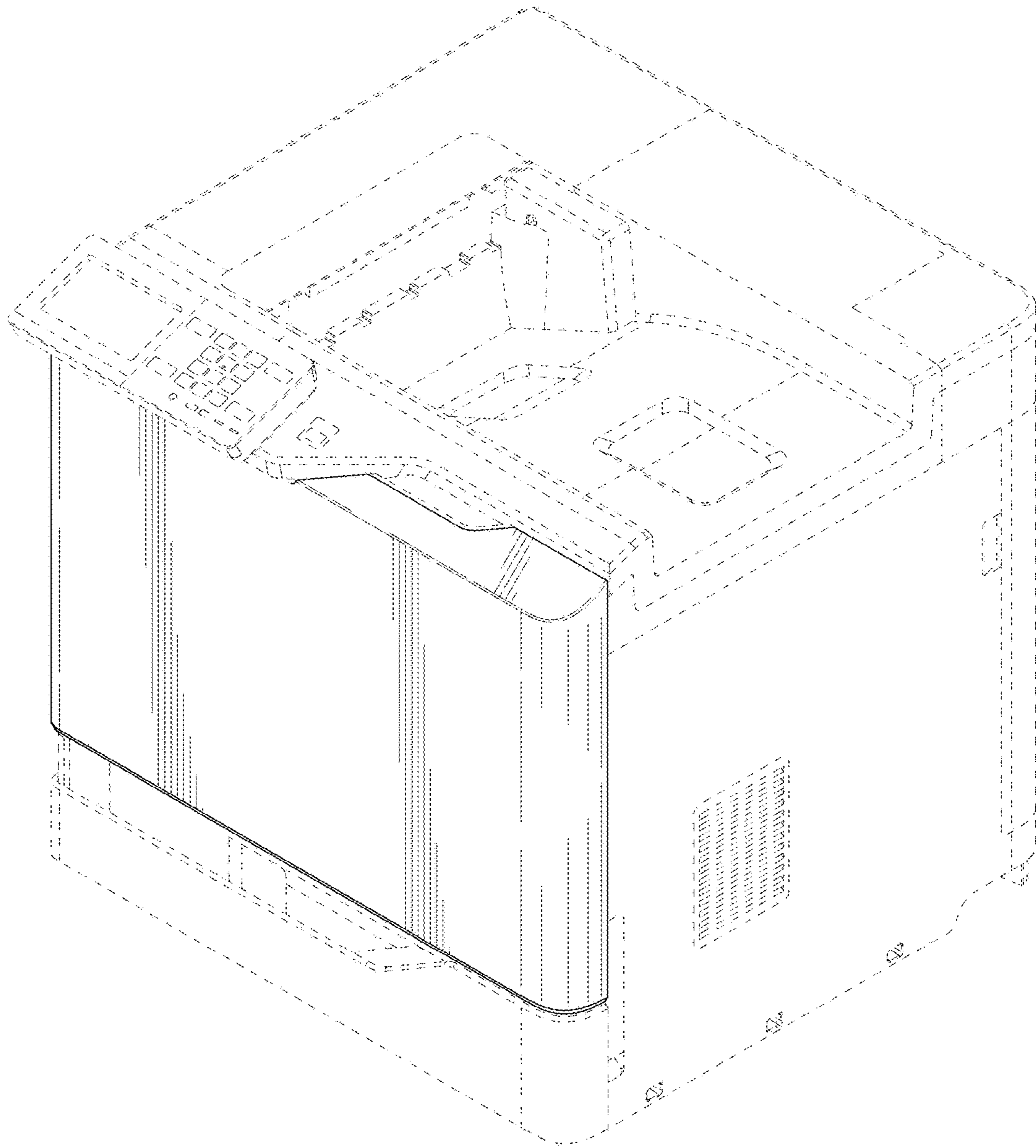


FIG. 1

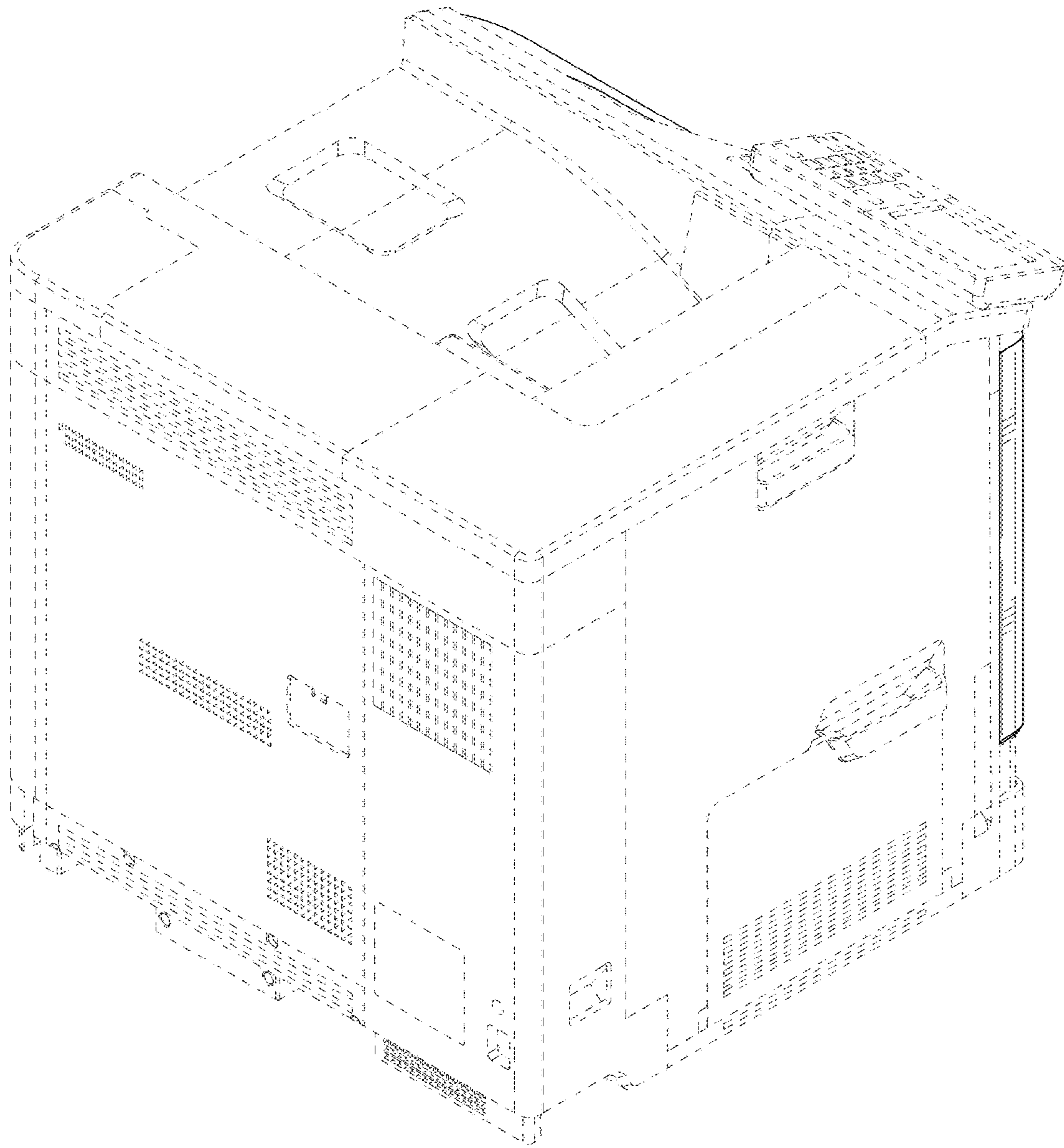


FIG. 2

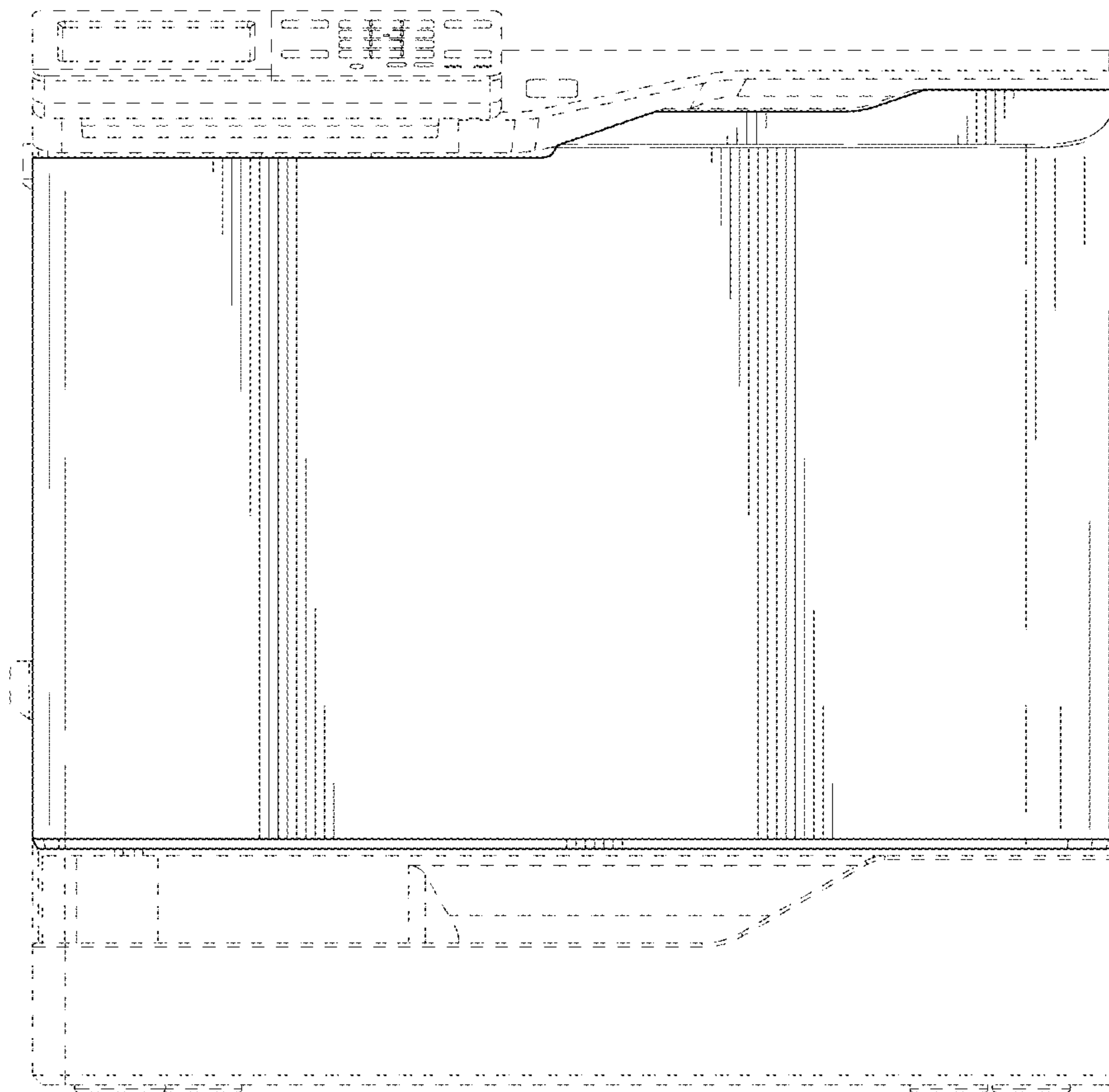


FIG. 3

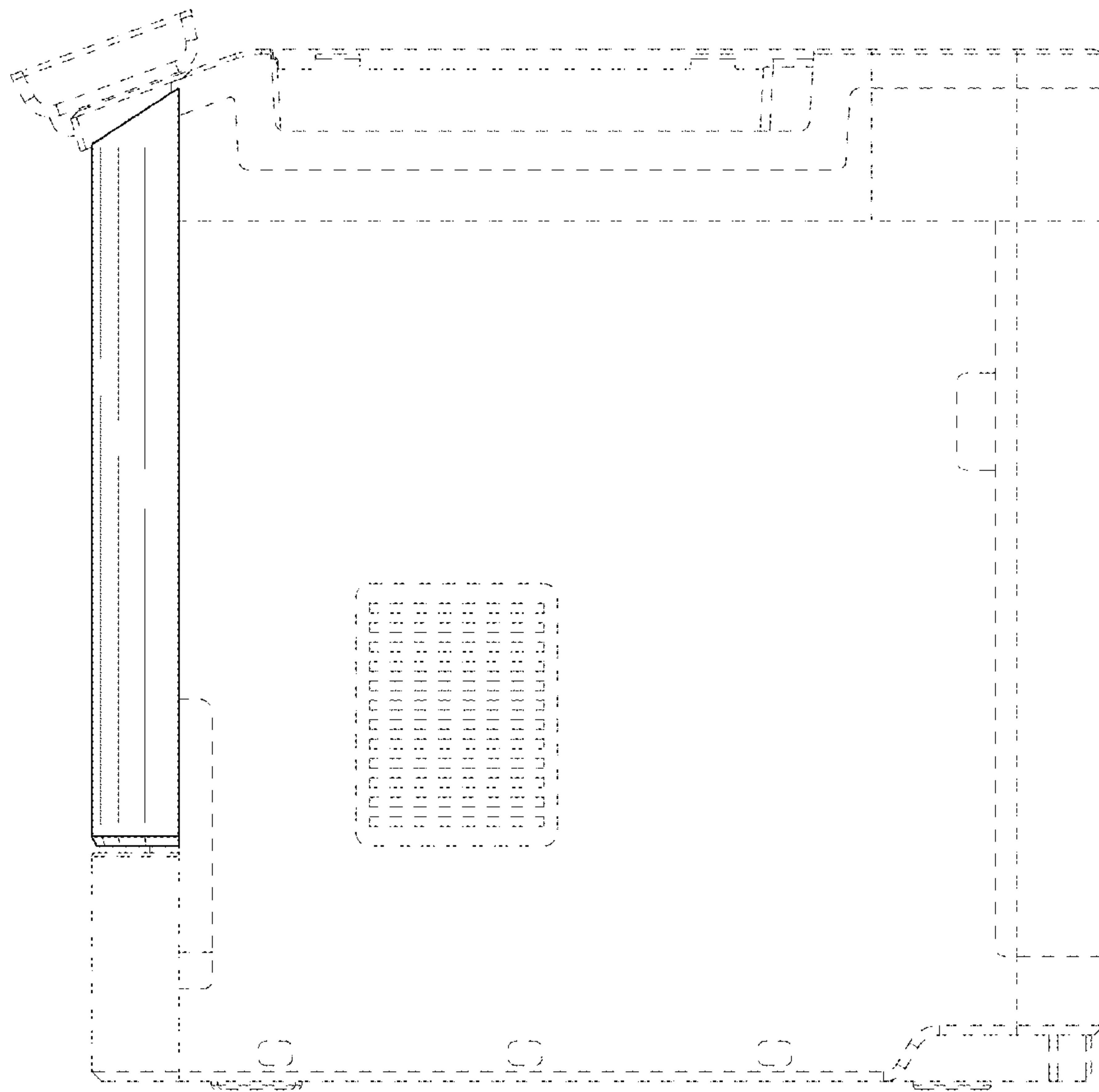


FIG. 4

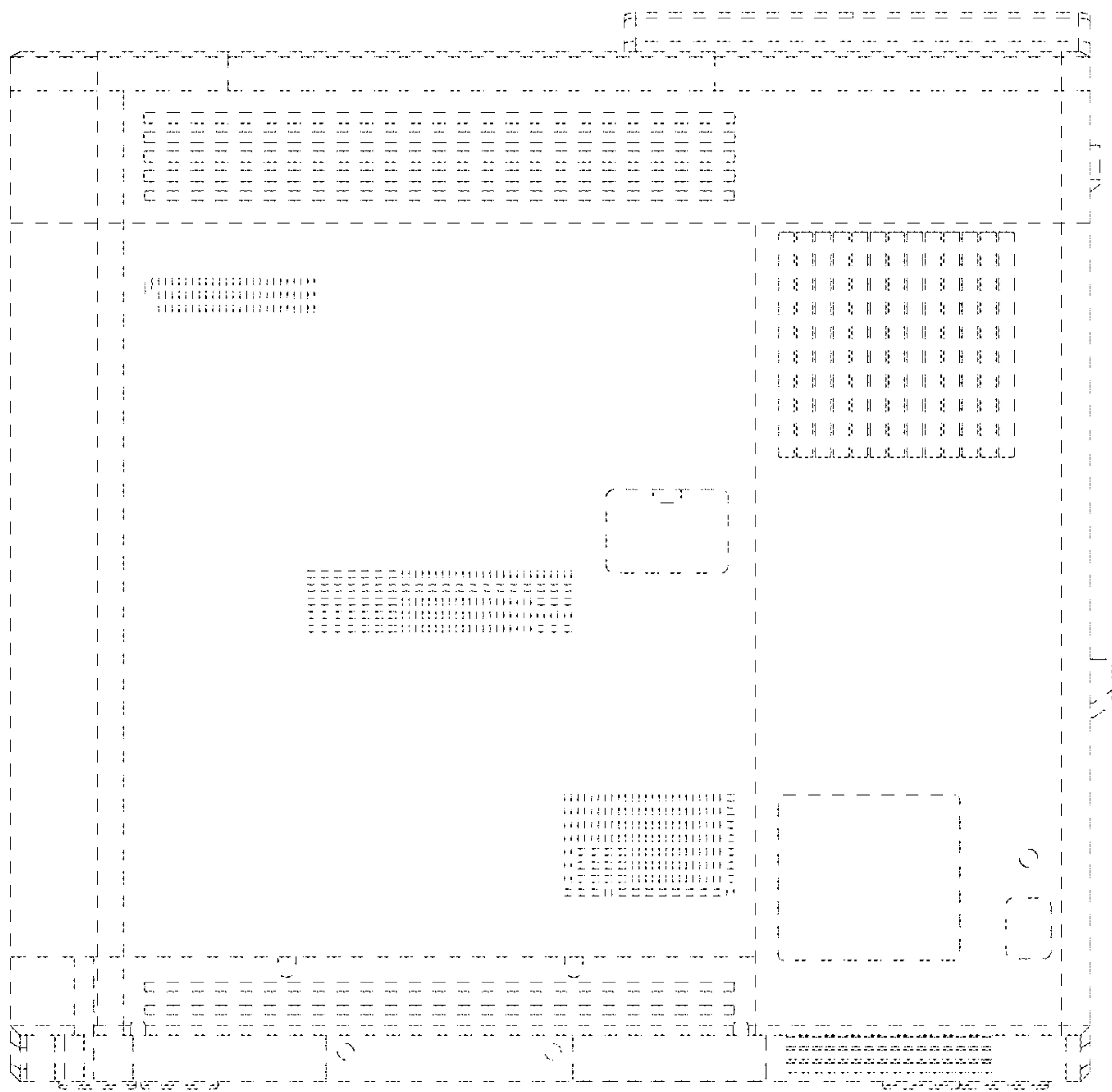


FIG. 5

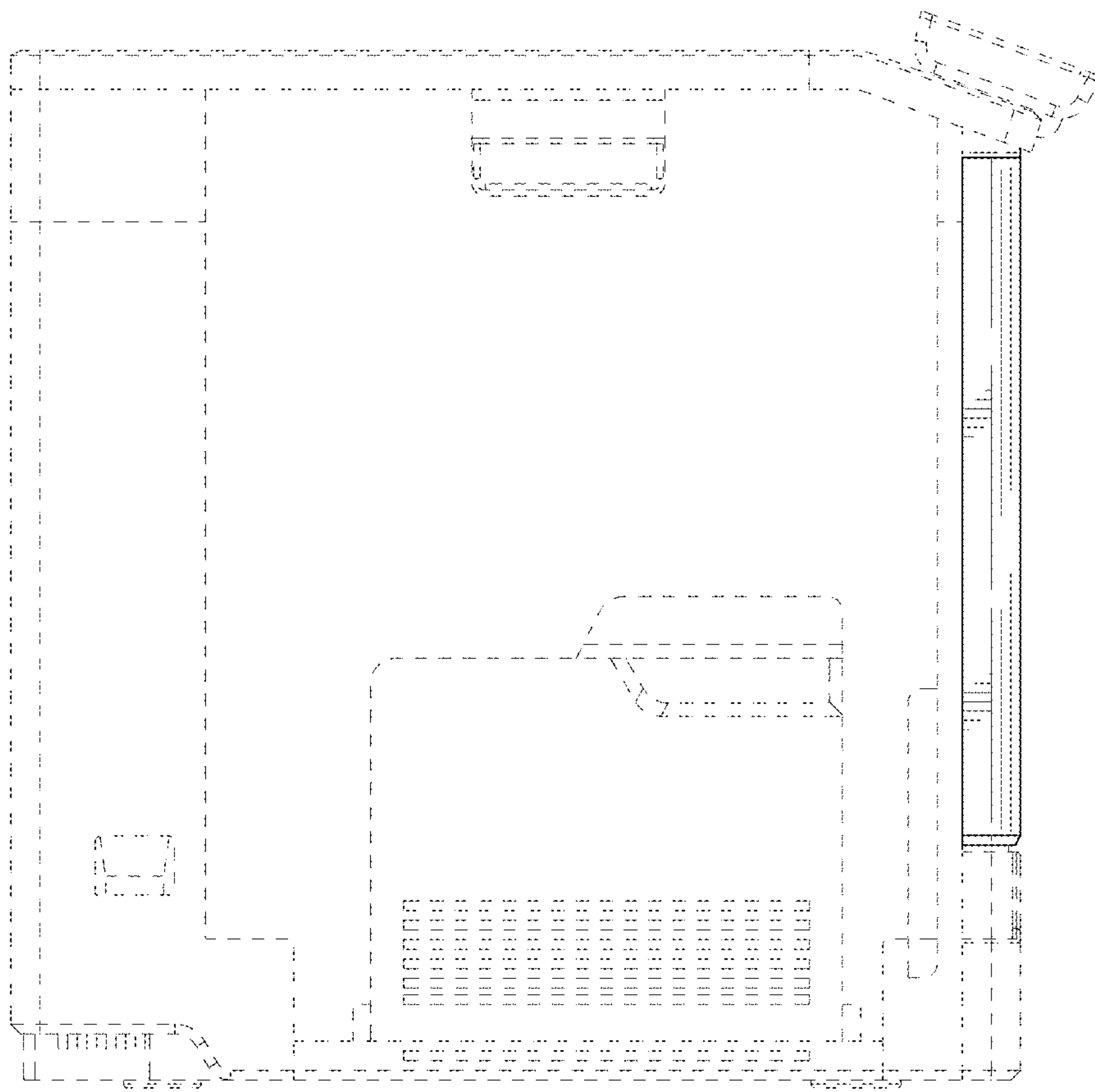


FIG. 6

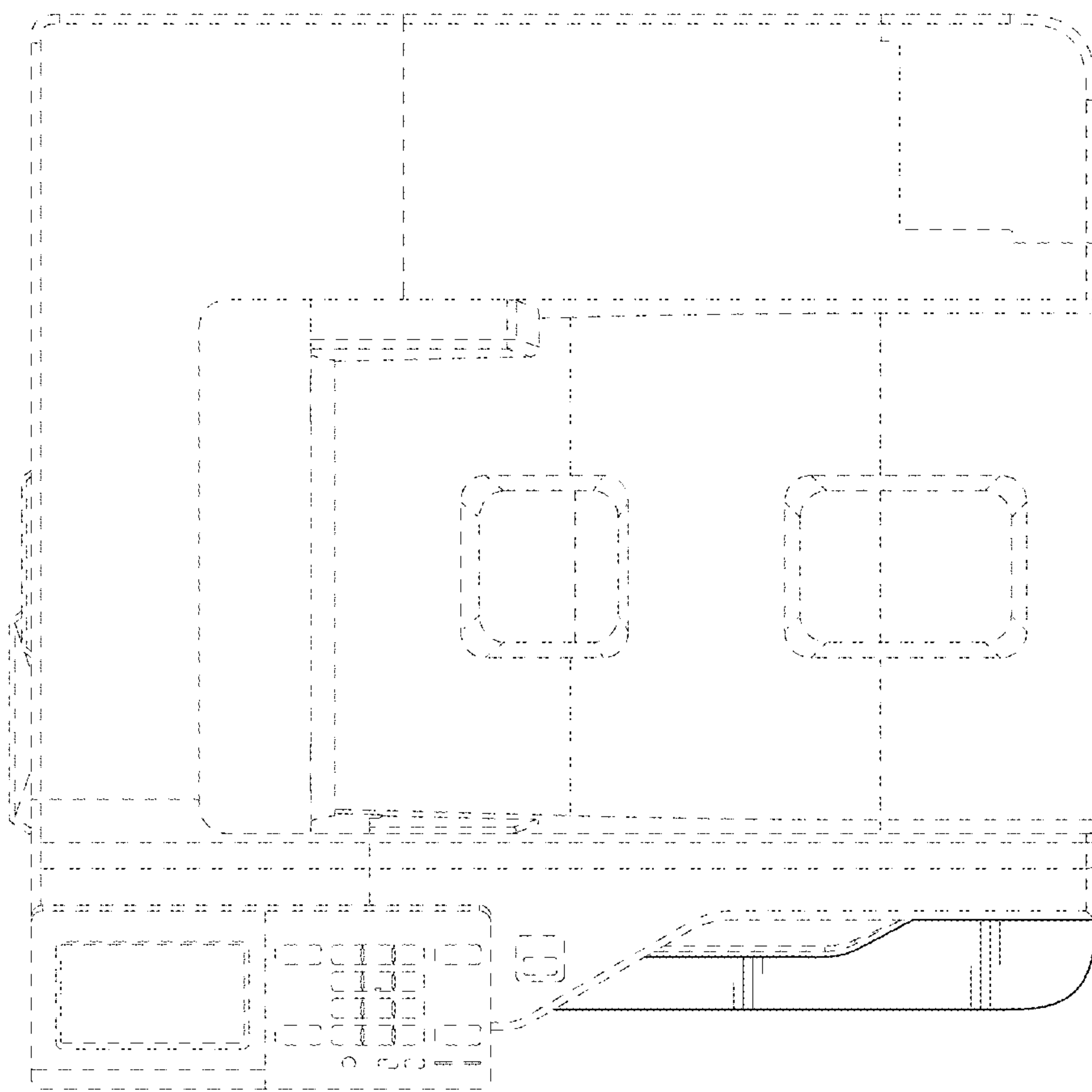


FIG. 7