



US00D86884S

(12) **United States Design Patent**  
**Inada et al.**

(10) **Patent No.:** **US D868,884 S**  
(45) **Date of Patent:** **\*\* Dec. 3, 2019**

(54) **PRINTER**

(71) Applicant: **BROTHER INDUSTRIES, LTD.**,  
Nagoya-shi, Aichi-ken (JP)

(72) Inventors: **Toshiya Inada**, Nagoya (JP);  
**Masayoshi Mita**, Nagoya (JP)

(73) Assignee: **BROTHER INDUSTRIES, LTD.**,  
Nagoya (JP)

(\*\*) Term: **15 Years**

(21) Appl. No.: **29/665,434**

(22) Filed: **Oct. 3, 2018**

(30) **Foreign Application Priority Data**

Apr. 12, 2018 (JP) ..... 2018-008062

(51) **LOC (12) Cl.** ..... **14-02**

(52) **U.S. Cl.**  
USPC ..... **D18/55; D18/50**

(58) **Field of Classification Search**

USPC ..... D18/55, 50, 53, 54, 56, 59, 36, 37, 38,  
D18/39, 40, 41, 45; D14/301, 307, 121  
CPC ..... H04N 1/00204; H04N 1/00249; H04N  
1/00278; G06K 15/12; G06K 15/14; B41J  
3/00; B41J 3/28; B41J 3/445; B41J 3/46  
See application file for complete search history.

(56) **References Cited**

**U.S. PATENT DOCUMENTS**

D687,089 S \* 7/2013 Nagano ..... D18/39  
D695,339 S \* 12/2013 Fukasawa ..... D18/53  
D811,474 S \* 2/2018 Kim ..... D18/55  
D815,197 S \* 4/2018 Kim ..... D18/50  
D821,490 S \* 6/2018 Mita ..... D18/55  
D830,451 S \* 10/2018 Makino ..... D18/53  
D832,341 S \* 10/2018 Brown ..... D18/50  
D836,712 S \* 12/2018 Brown ..... D18/50

D849,134 S \* 5/2019 Kimura ..... D18/55  
D853,478 S \* 7/2019 Ino ..... D18/50  
2018/0101114 A1 \* 4/2018 Takeuchi ..... G03G 21/1633  
2018/0186584 A1 \* 7/2018 Chiu ..... G03G 15/6502  
2018/0194147 A1 \* 7/2018 Chiu ..... B65H 1/266

**OTHER PUBLICATIONS**

PCM. Link: <http://www.pcm.com/p/HP-Inc.-Multifunction-Printers/product~dpno~40674487~pdp.bccadefg#>. Visited Jul. 17, 2019. HP Inc. Color LaserJet Pro MFP M281fdw Multifunction Printer (T6B82A#BGJ). (Year: 2019).\*

\* cited by examiner

*Primary Examiner* — Susan Bennett Hattan  
*Assistant Examiner* — Lauren D McVey  
(74) *Attorney, Agent, or Firm* — Oliff PLC

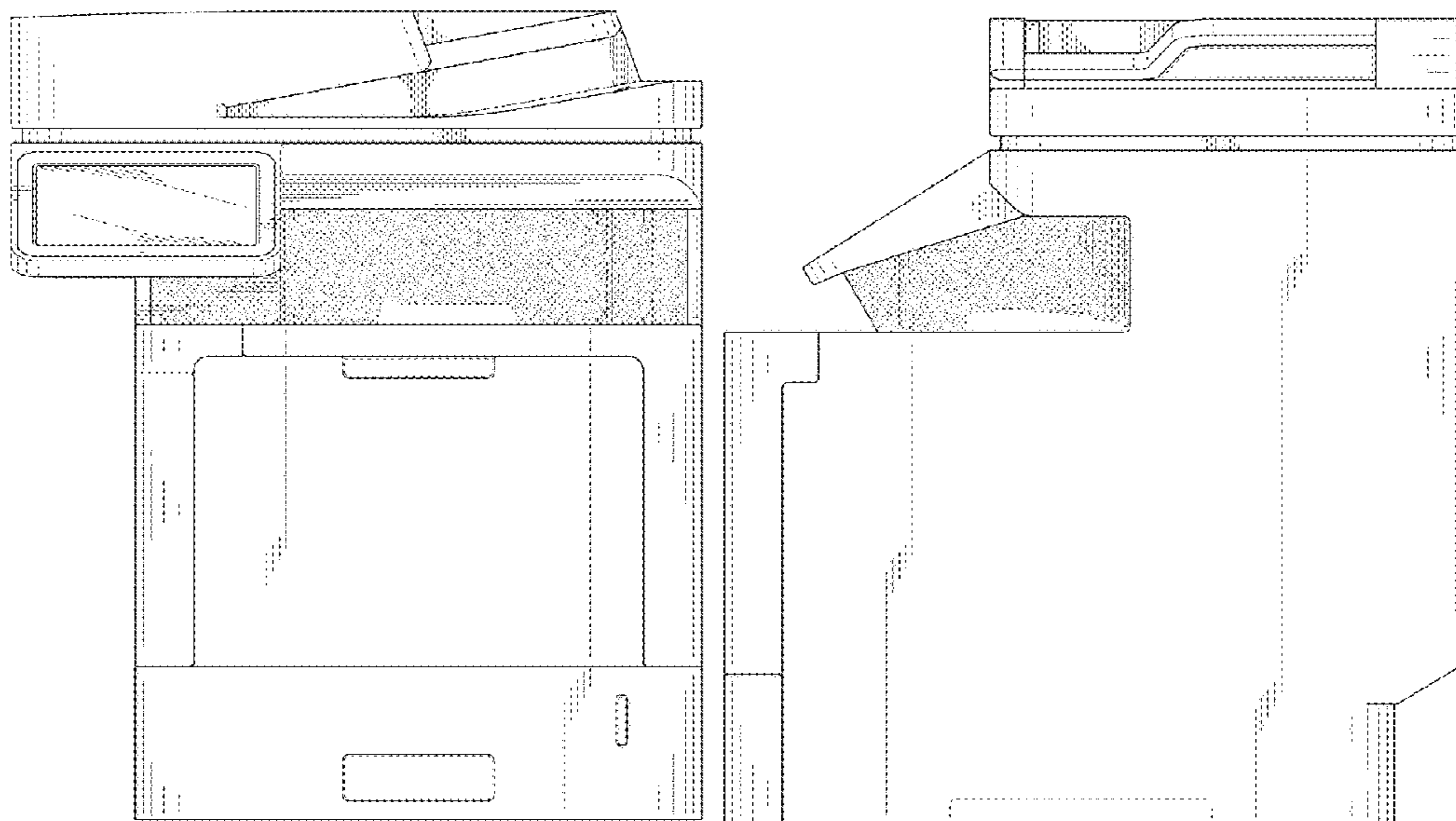
(57) **CLAIM**

The ornamental design for a printer, as shown and described.

**DESCRIPTION**

FIG. 1 is a left-side perspective view of the printer;  
FIG. 2 is a front view thereof;  
FIG. 3 is a top view thereof;  
FIG. 4 is a left-side view thereof;  
FIG. 5 is a right-side view thereof;  
FIG. 6 is a rear view thereof;  
FIG. 7 is a bottom view thereof; and,  
FIG. 8 is a right-side perspective view thereof.  
The broken lines immediately adjacent the shaded areas depict the bounds of the claimed design, while all other broken lines are directed to portions of the printer that form no part of the claim. The broken lines form no part of the claimed design. The stipple shading as used in this application is a drafting convention used to show contrast with adjacent surfaces.

**1 Claim, 8 Drawing Sheets**



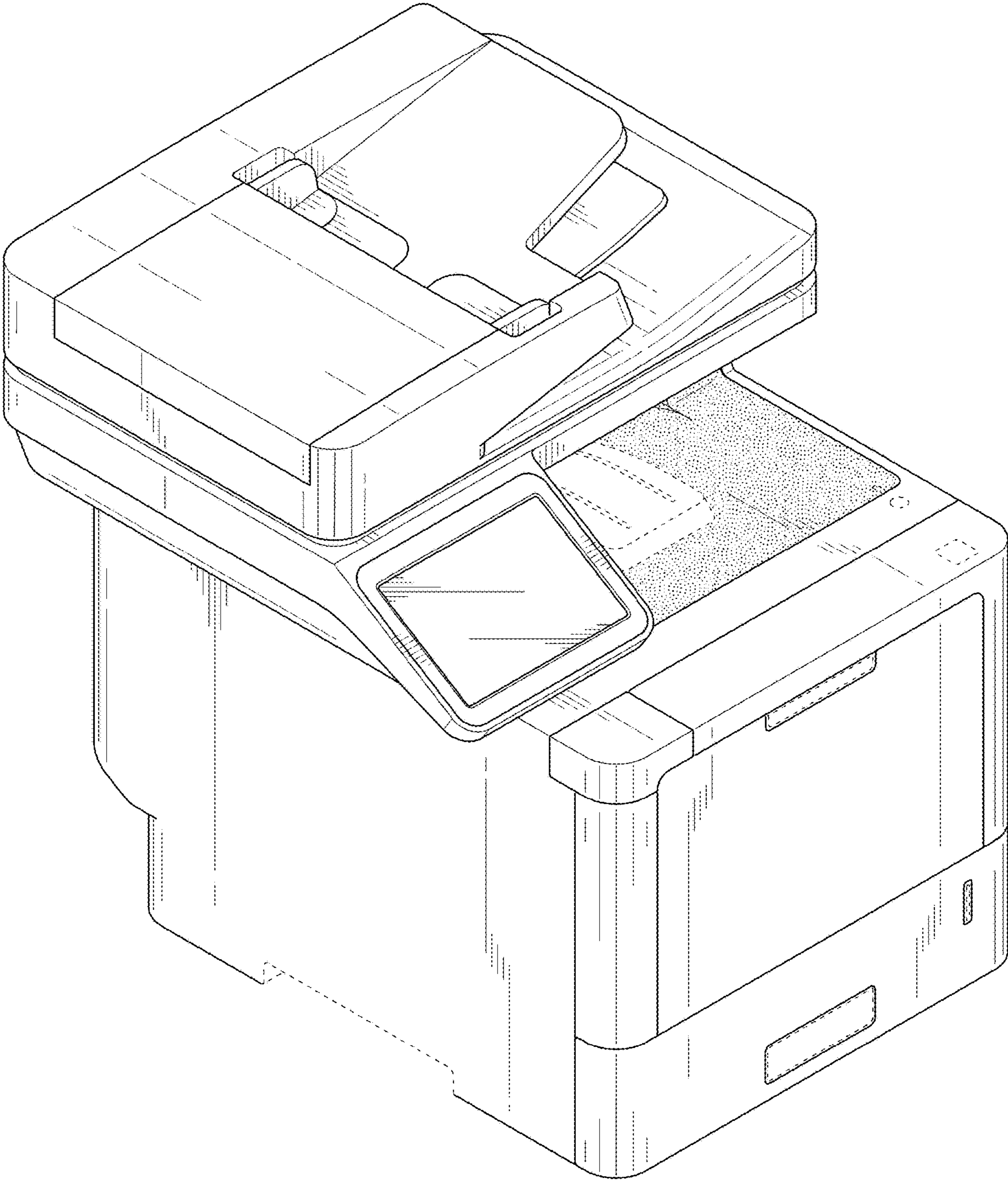


FIG. 1

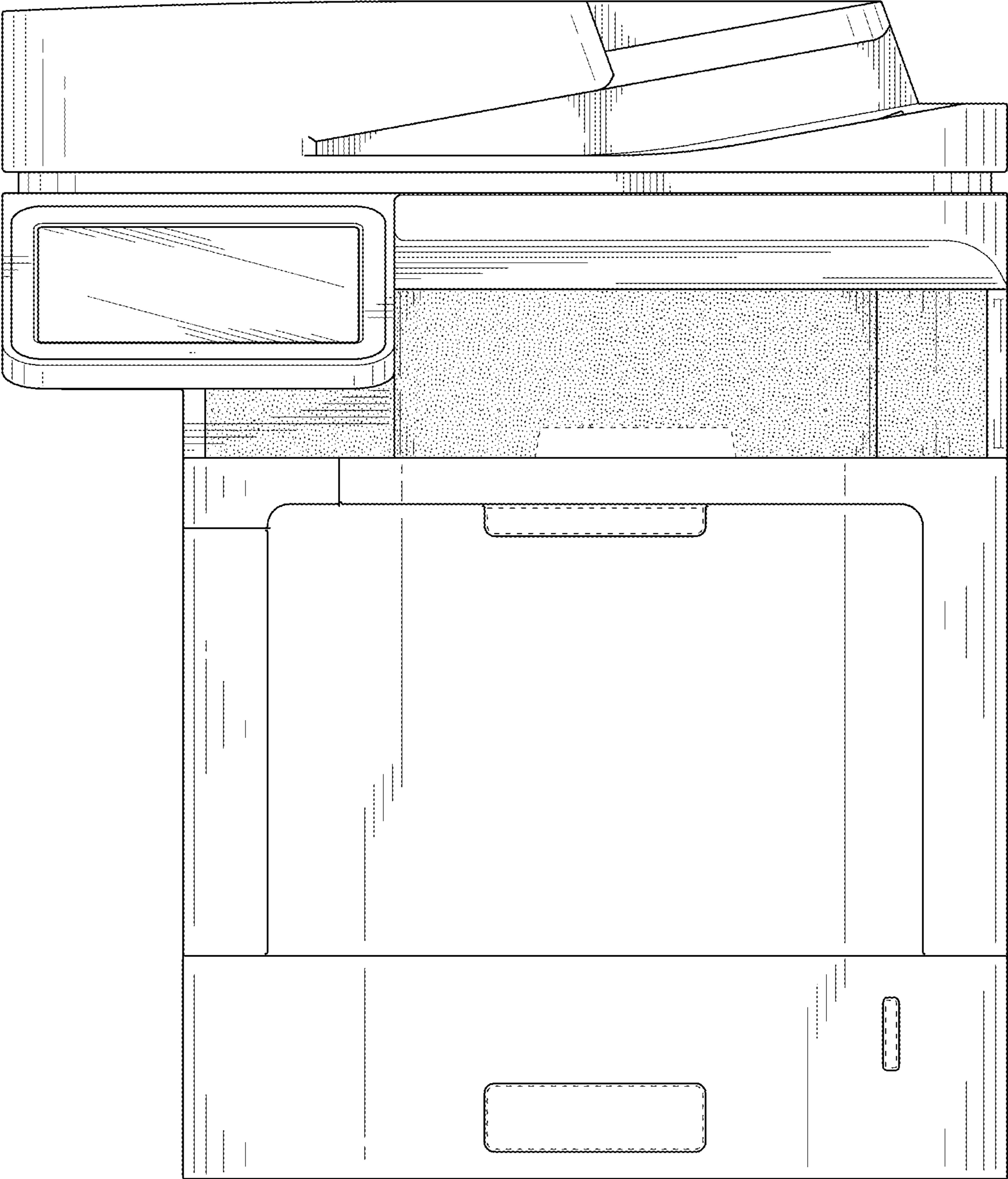


FIG. 2

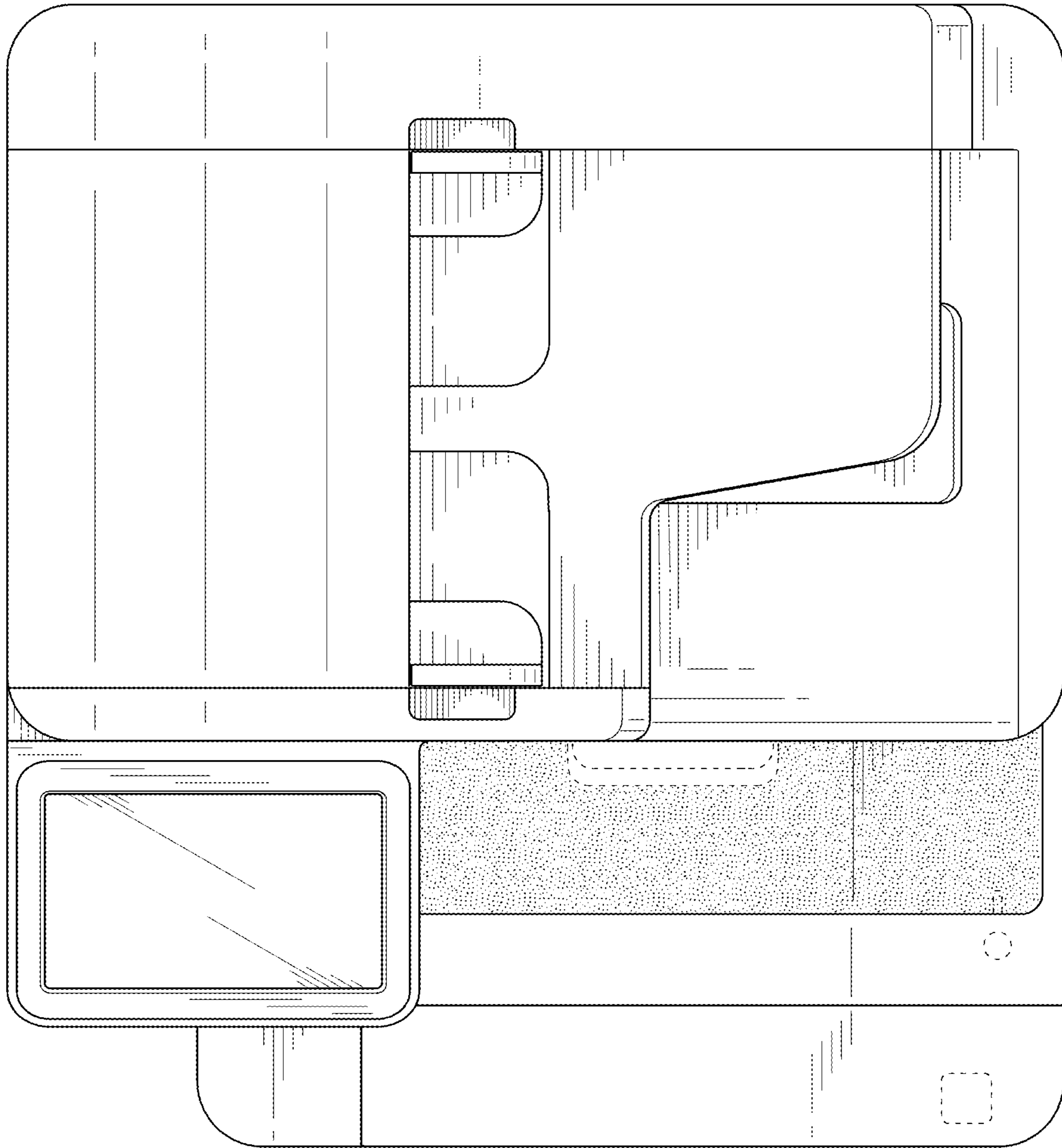


FIG. 3

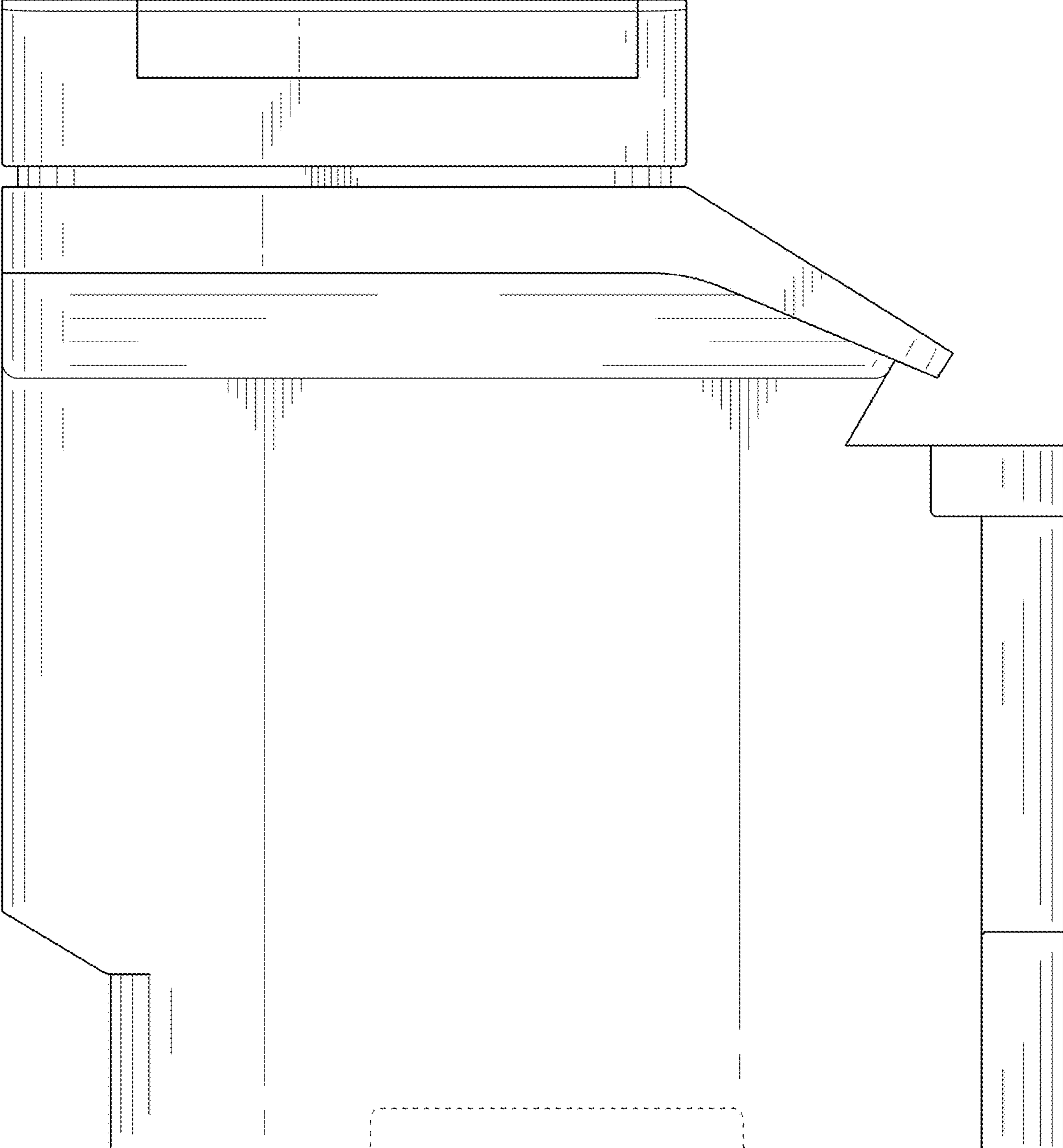


FIG. 4

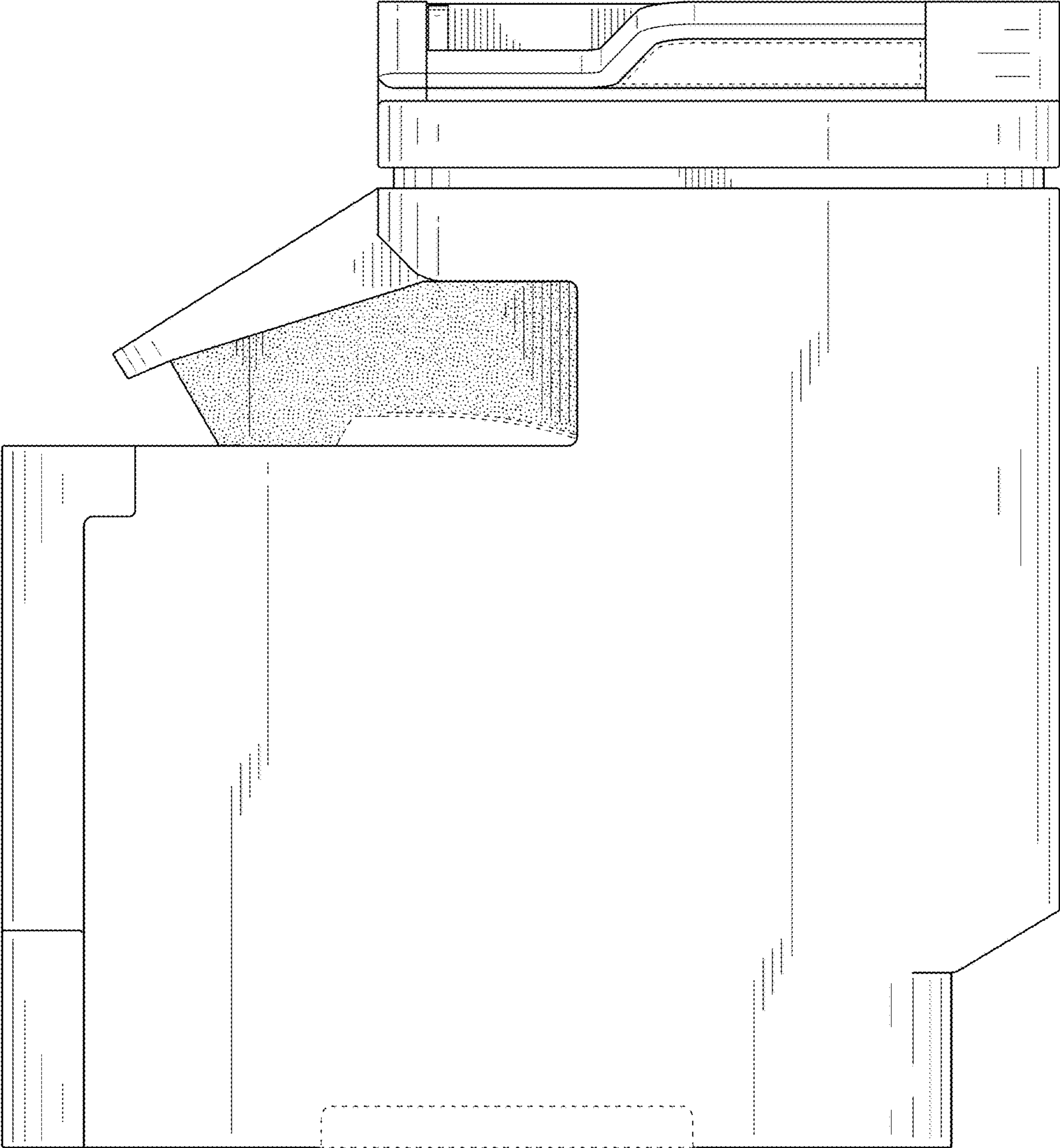


FIG. 5

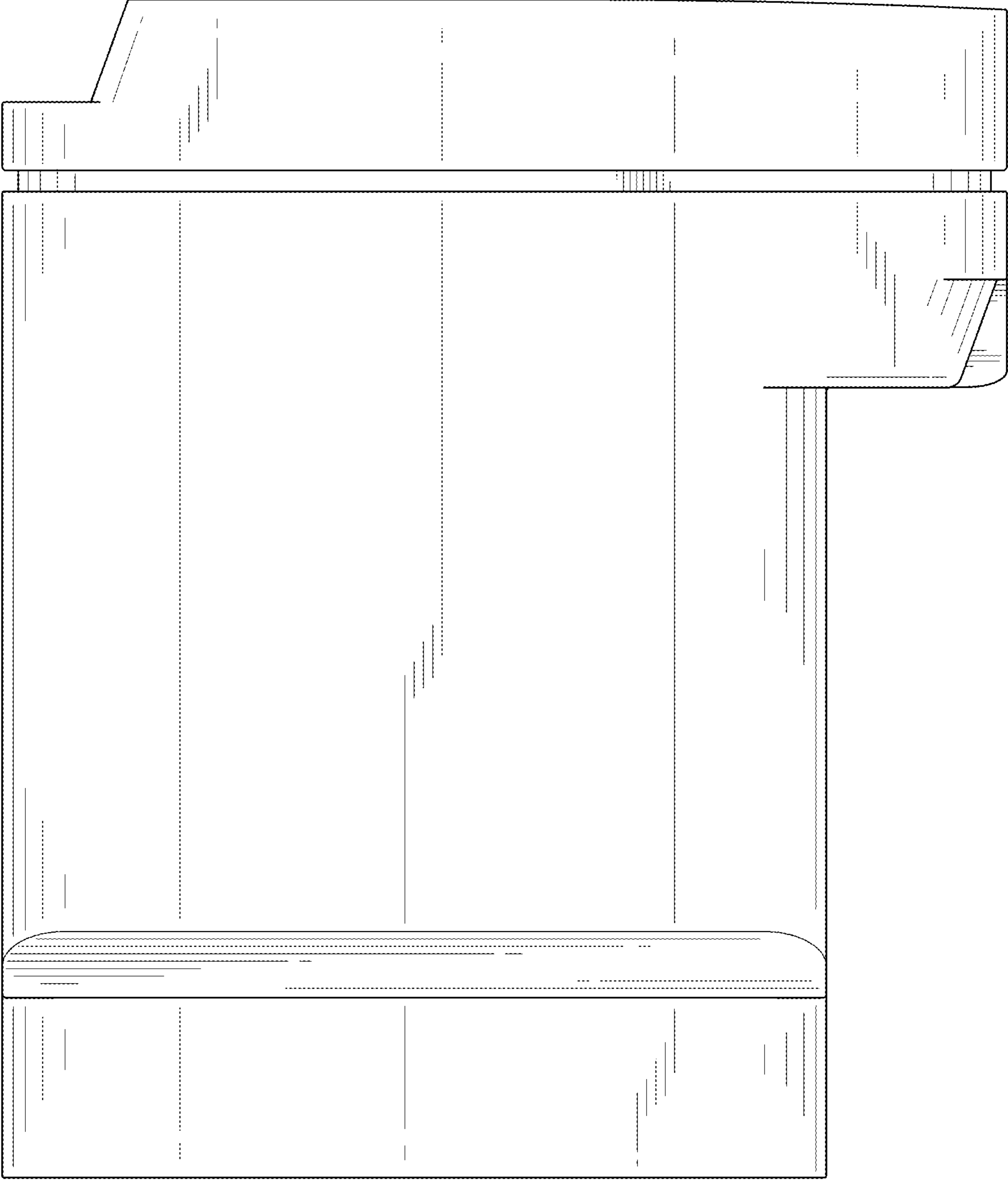


FIG. 6

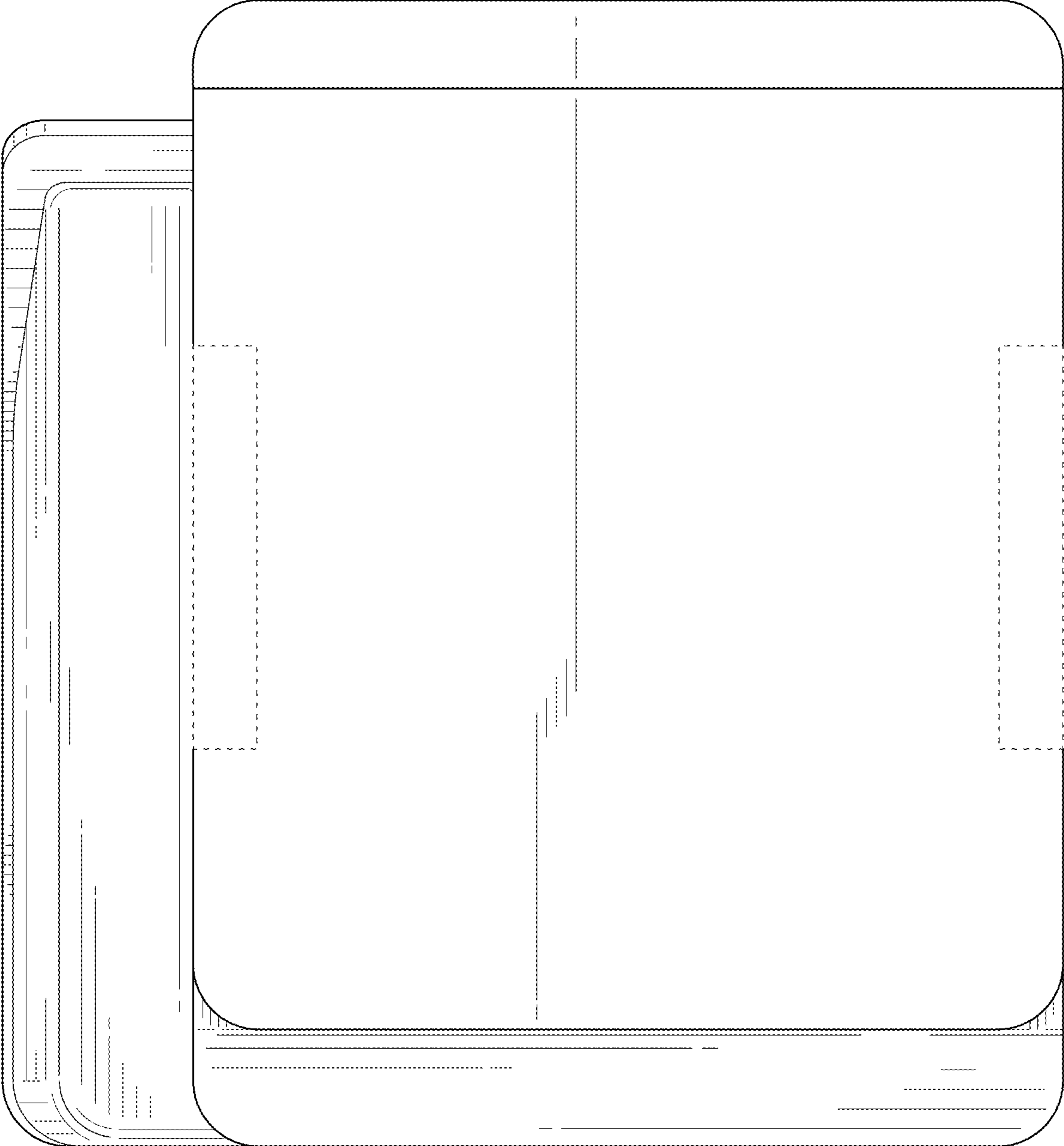


FIG. 7



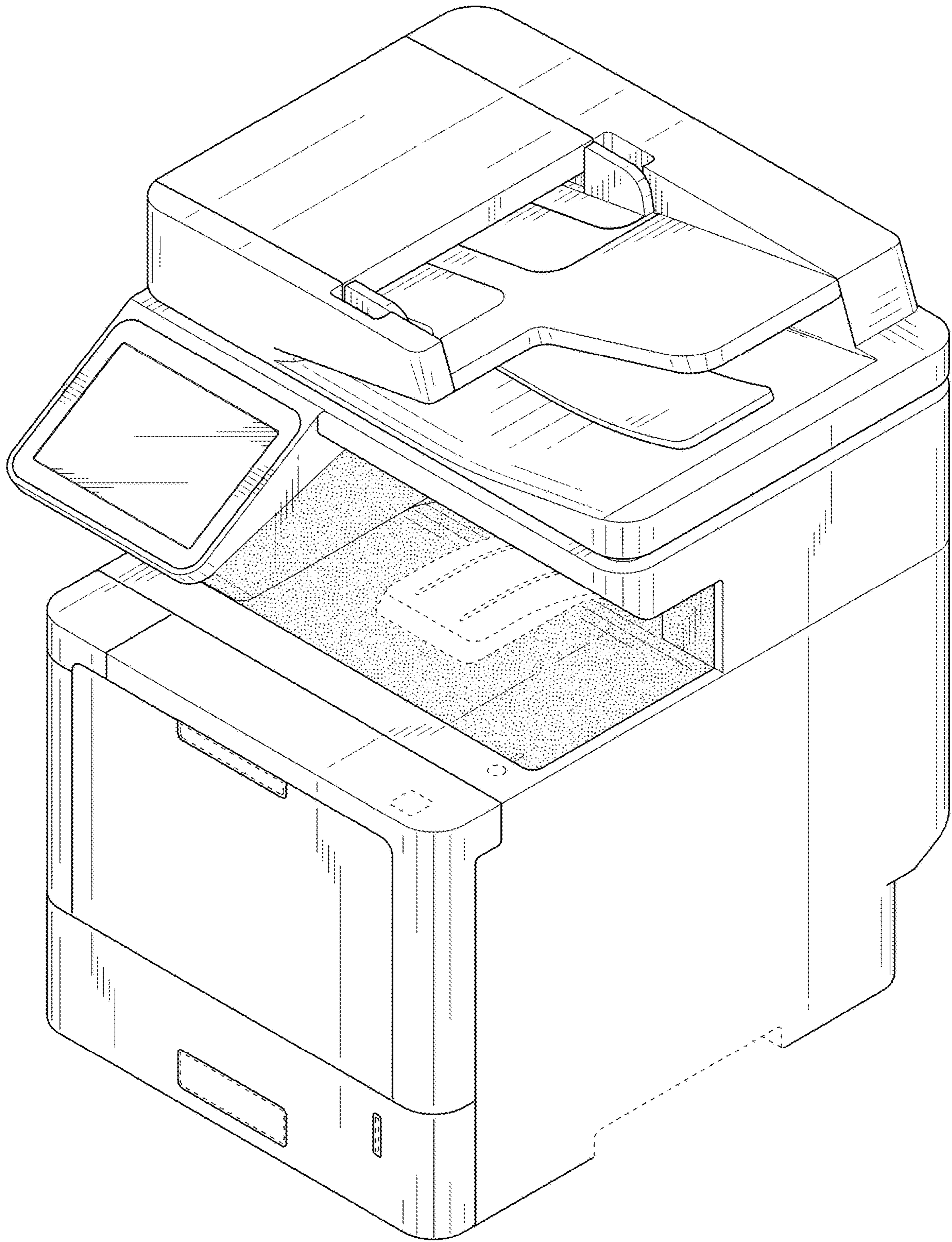


FIG. 8