



US00D86882S

(12) **United States Design Patent**
Mita et al.

(10) **Patent No.:** **US D868,882 S**

(45) **Date of Patent:** **** Dec. 3, 2019**

(54) **PRINTER**

(71) Applicant: **BROTHER INDUSTRIES, LTD.**,
Nagoya-shi, Aichi-ken (JP)

(72) Inventors: **Masayoshi Mita**, Nagoya (JP); **Toshiya Inada**, Nagoya (JP)

(73) Assignee: **BROTHER INDUSTRIES, LTD.**,
Nagoya (JP)

(**) Term: **15 Years**

(21) Appl. No.: **29/664,905**

(22) Filed: **Sep. 28, 2018**

(30) **Foreign Application Priority Data**

Mar. 29, 2018 (JP) 2018-006859

(51) **LOC (12) Cl.** **16-03**

(52) **U.S. Cl.**
USPC **D18/41**; D18/50

(58) **Field of Classification Search**

USPC D18/36, 37, 38, 39, 40, 41, 45, 55, 50,
D18/53, 54, 56, 59; D14/301, 307, 121

CPC H04N 1/00204; H04N 1/00249; H04N
1/00278; G06K 15/12; G06K 15/14; B41J
3/00; B41J 3/28; B41J 3/445; B41J 3/46

See application file for complete search history.

(56) **References Cited**

U.S. PATENT DOCUMENTS

D695,339 S * 12/2013 Fukasawa D18/53
D726,253 S * 4/2015 Kim D18/50
D815,197 S * 4/2018 Kim D18/50
D815,199 S * 4/2018 Kim D18/53
D821,488 S * 6/2018 Brown D18/41
D821,489 S * 6/2018 Brown D18/41
D826,321 S * 8/2018 Kim D18/53
D830,451 S * 10/2018 Makino D18/53

D832,341 S * 10/2018 Brown D18/50
D832,343 S * 10/2018 Kim D18/53
D836,712 S * 12/2018 Brown D18/50
D849,836 S * 5/2019 Han D18/56
2018/0101114 A1* 4/2018 Takeuchi G03G 21/1633

OTHER PUBLICATIONS

Amazon. Link: https://www.amazon.com/HP-LaserJet-M426fdw-Double-Sided-Replenishment/dp/B013SKICA8/ref=sr_1_14?keywords=copier&qid=1565710098&s=gateway&sr=8-14. Aug. 21, 2015. HP LaserJet Pro M426fdw All-in-One Wireless Laser Printer with Double-Sided Printing. (Year: 2015).*

* cited by examiner

Primary Examiner — Susan Bennett Hattan

Assistant Examiner — Lauren D McVey

(74) *Attorney, Agent, or Firm* — Oliff PLC

(57) **CLAIM**

The ornamental design for a printer, as shown and described.

DESCRIPTION

FIG. 1 is a right-side perspective view of the printer;

FIG. 2 is a front view thereof;

FIG. 3 is a rear view thereof;

FIG. 4 is a left-side view thereof;

FIG. 5 is a right-side view thereof;

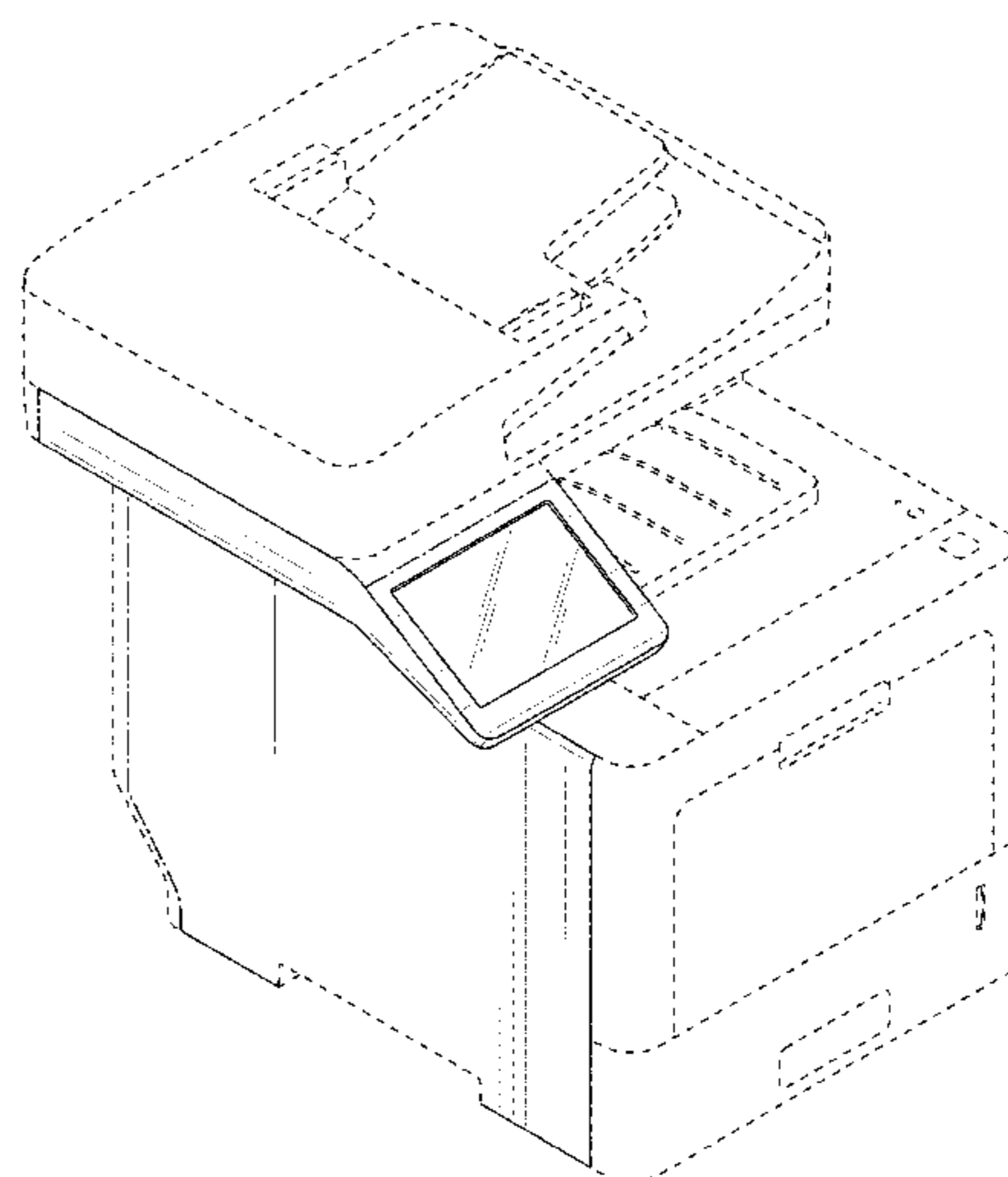
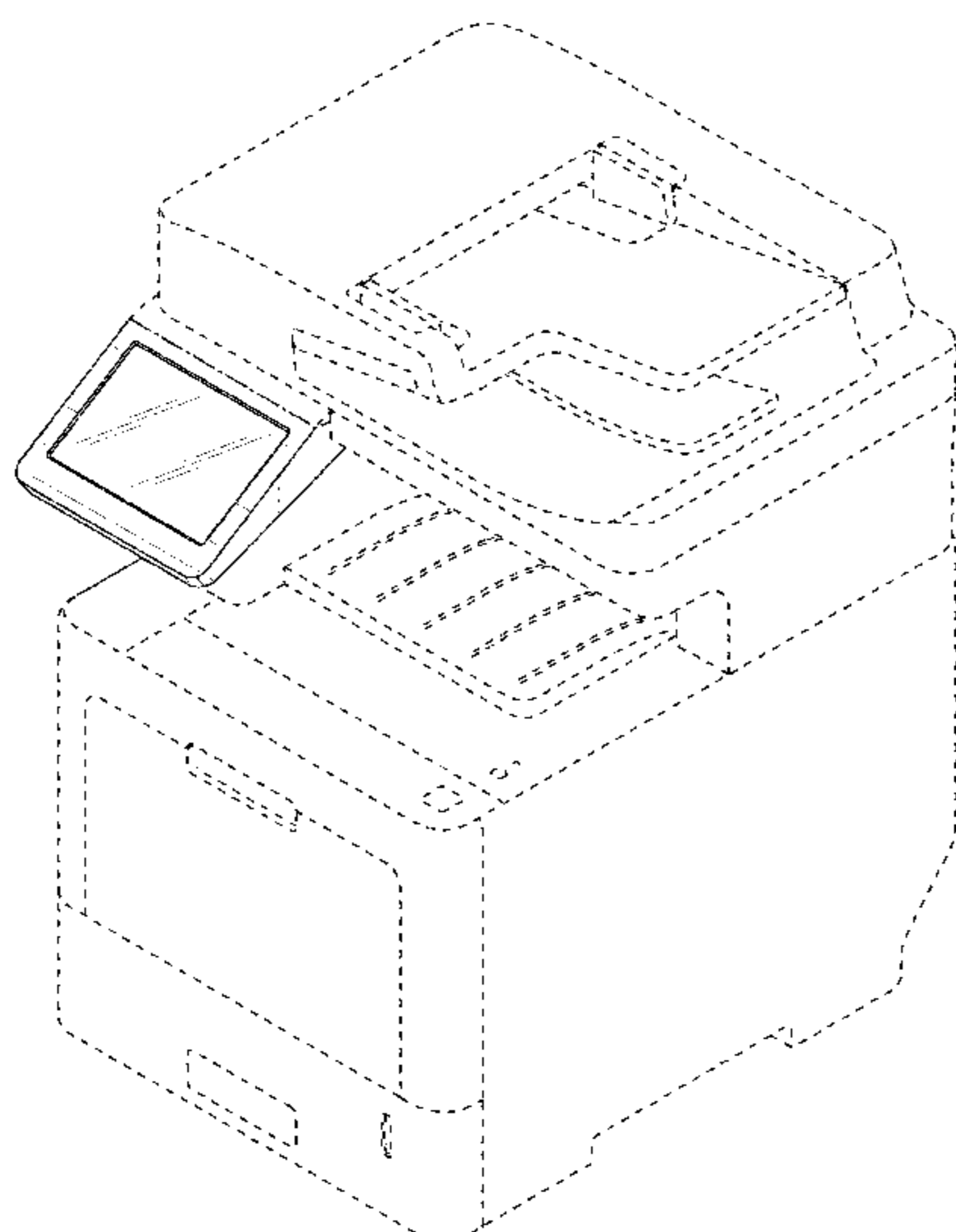
FIG. 6 is a top view thereof;

FIG. 7 is a bottom view thereof; and,

FIG. 8 is a left-side perspective view thereof.

The dot-dash lines and evenly spaced broken lines immediately adjacent the shaded areas depict the bounds of the claimed design, while all other evenly spaced broken lines are directed to environment. In addition, the unshaded surfaces that directly adjoin the solid line edges form no part of the claimed design. The broken lines form no part of the claimed design.

1 Claim, 8 Drawing Sheets



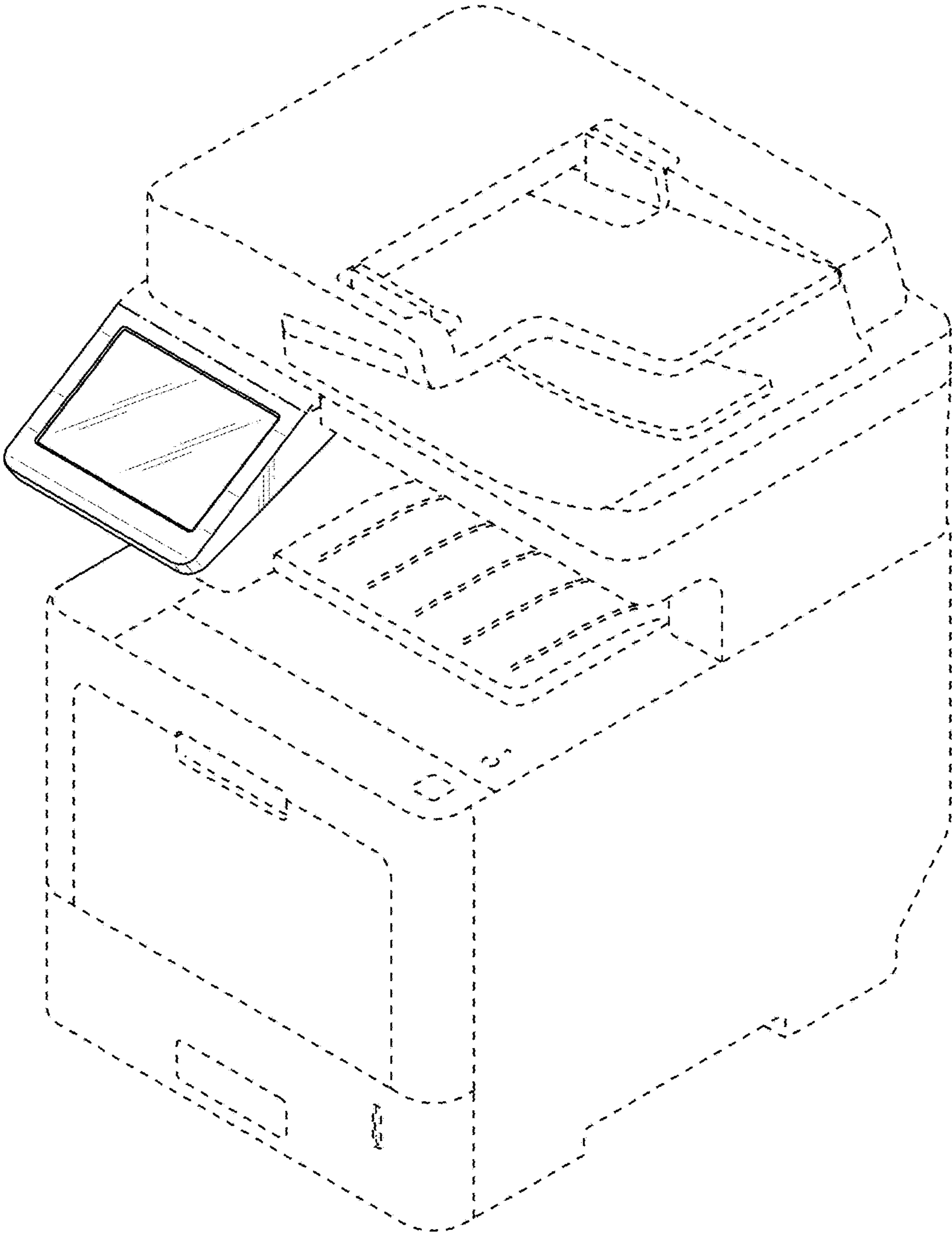


FIG. 1

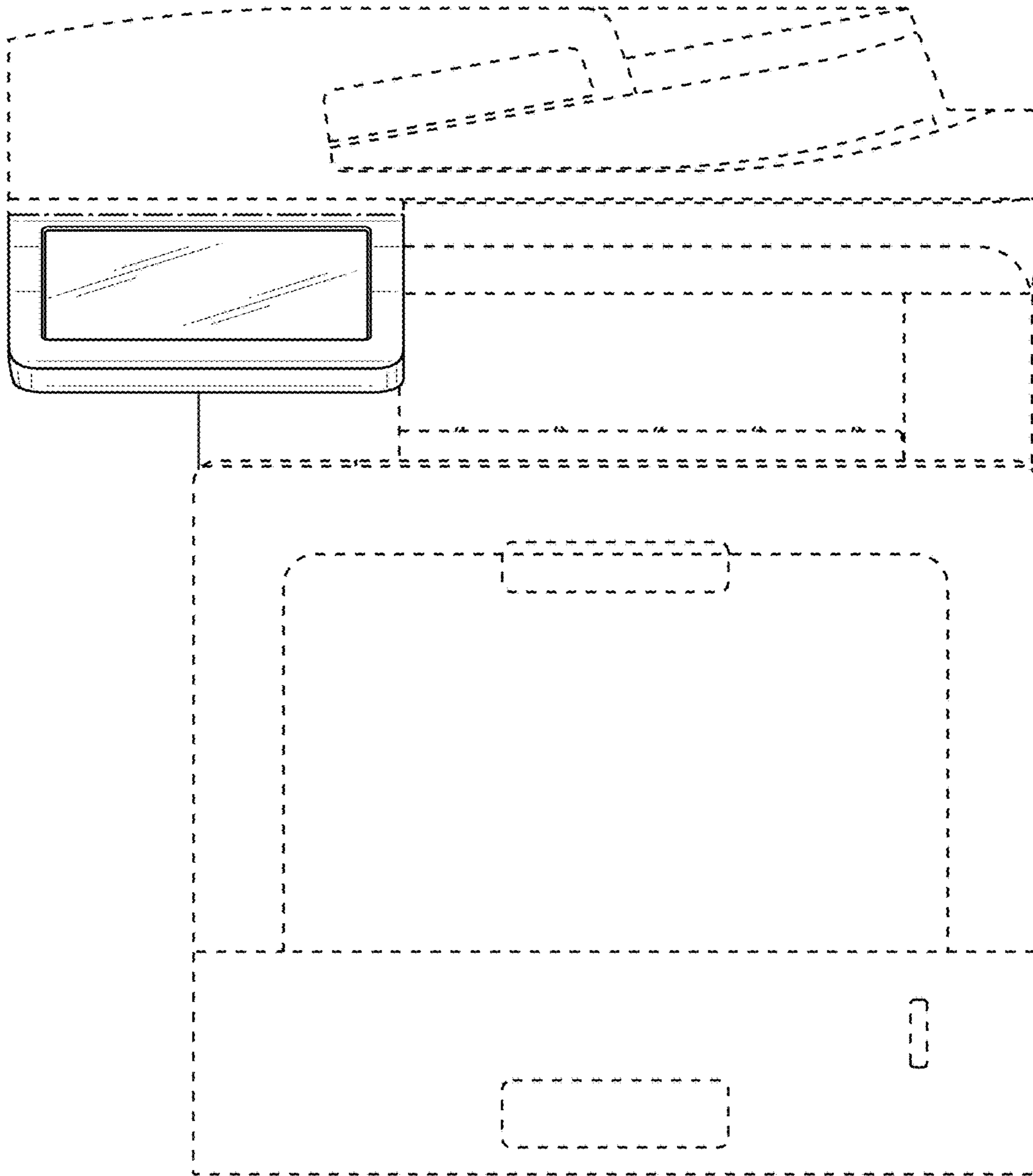


FIG. 2

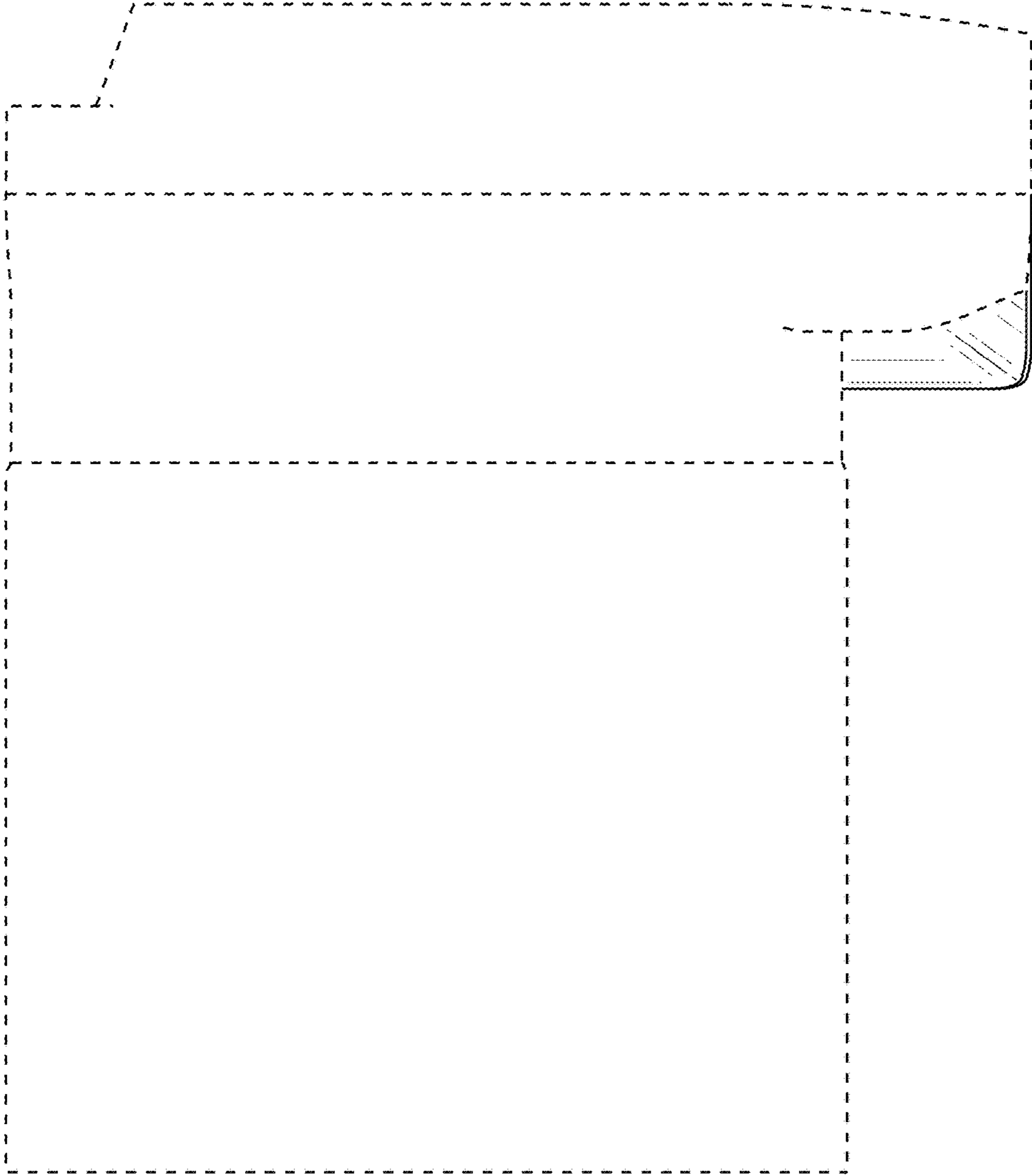


FIG. 3

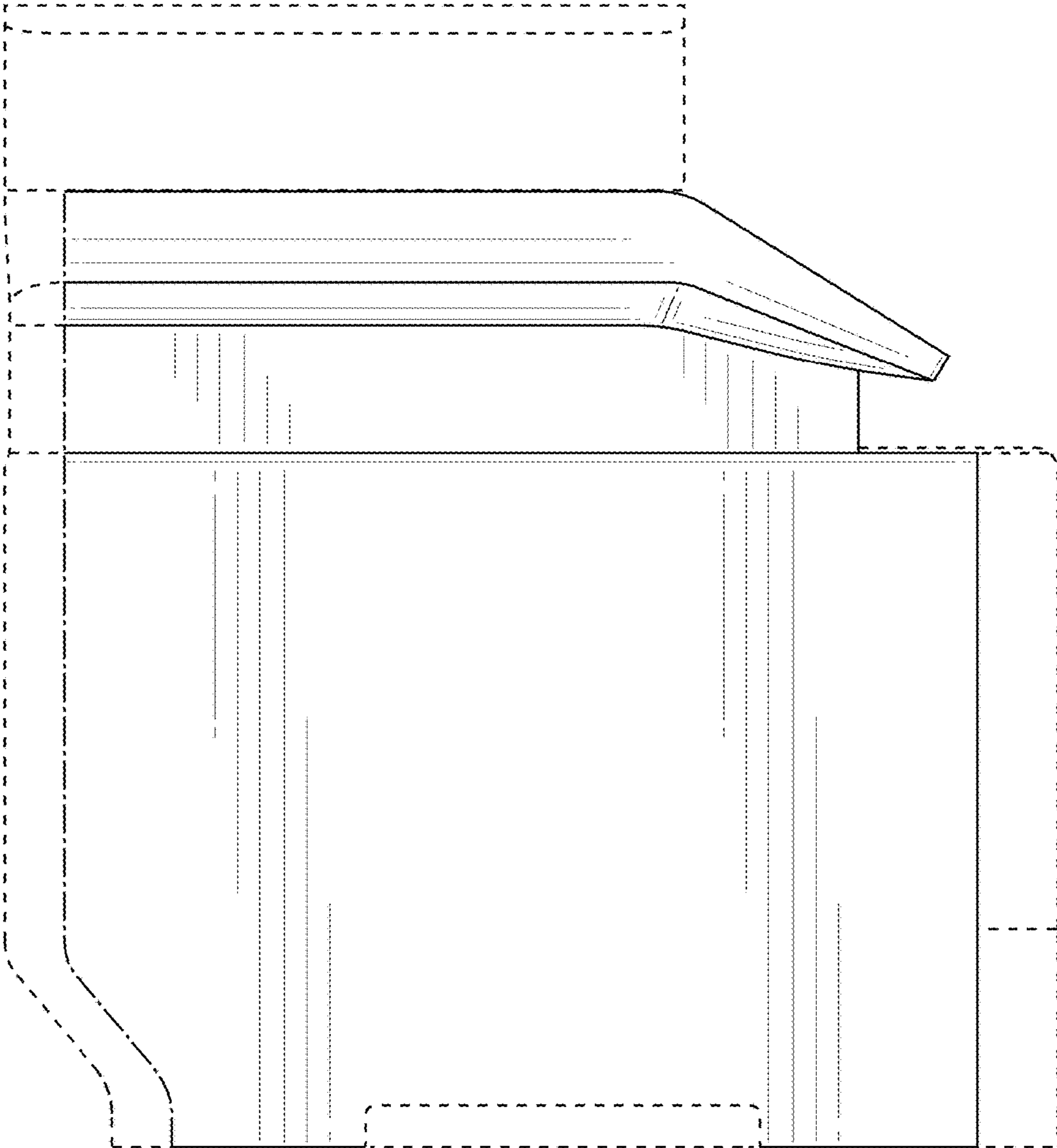


FIG. 4

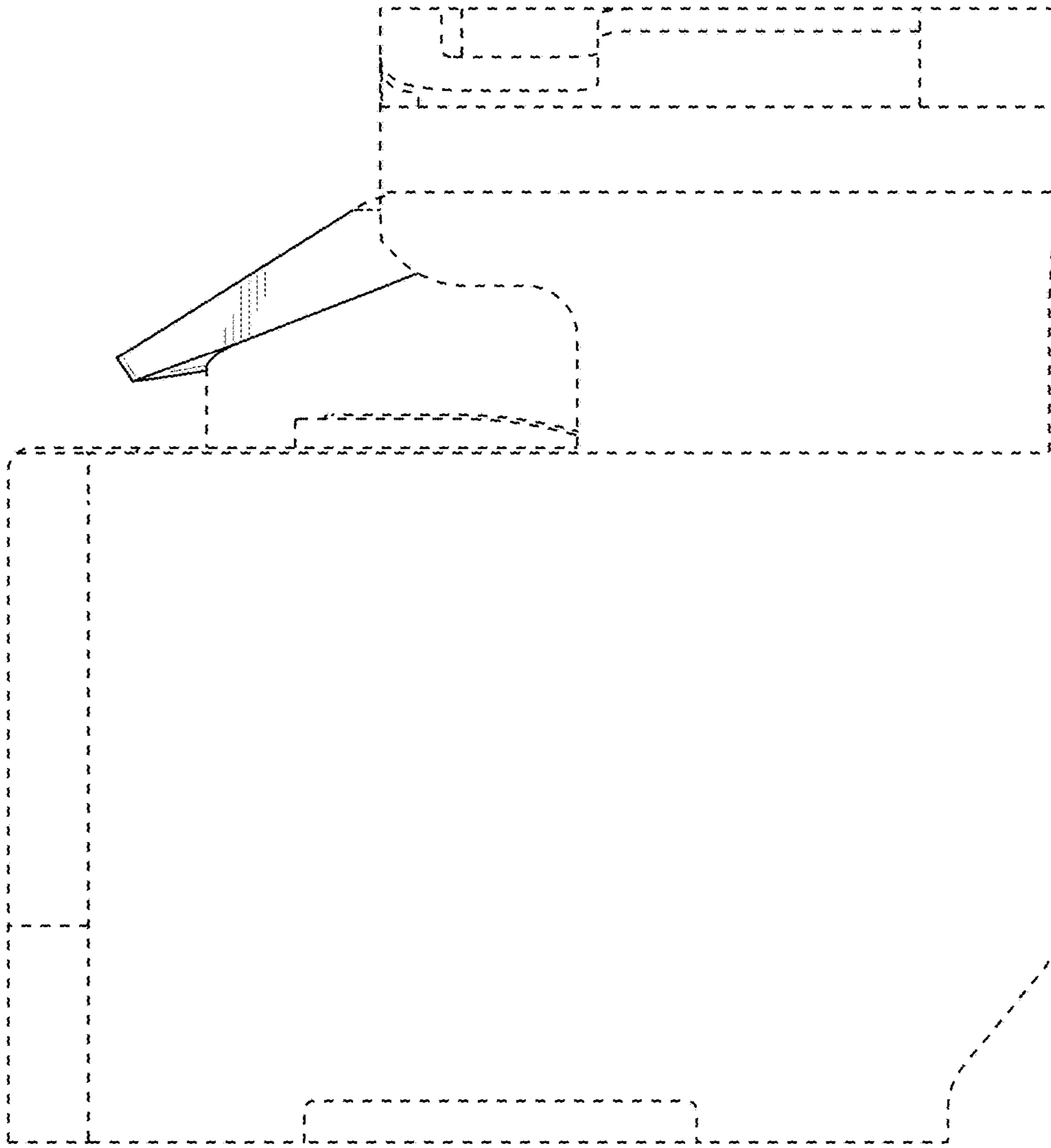


FIG. 5

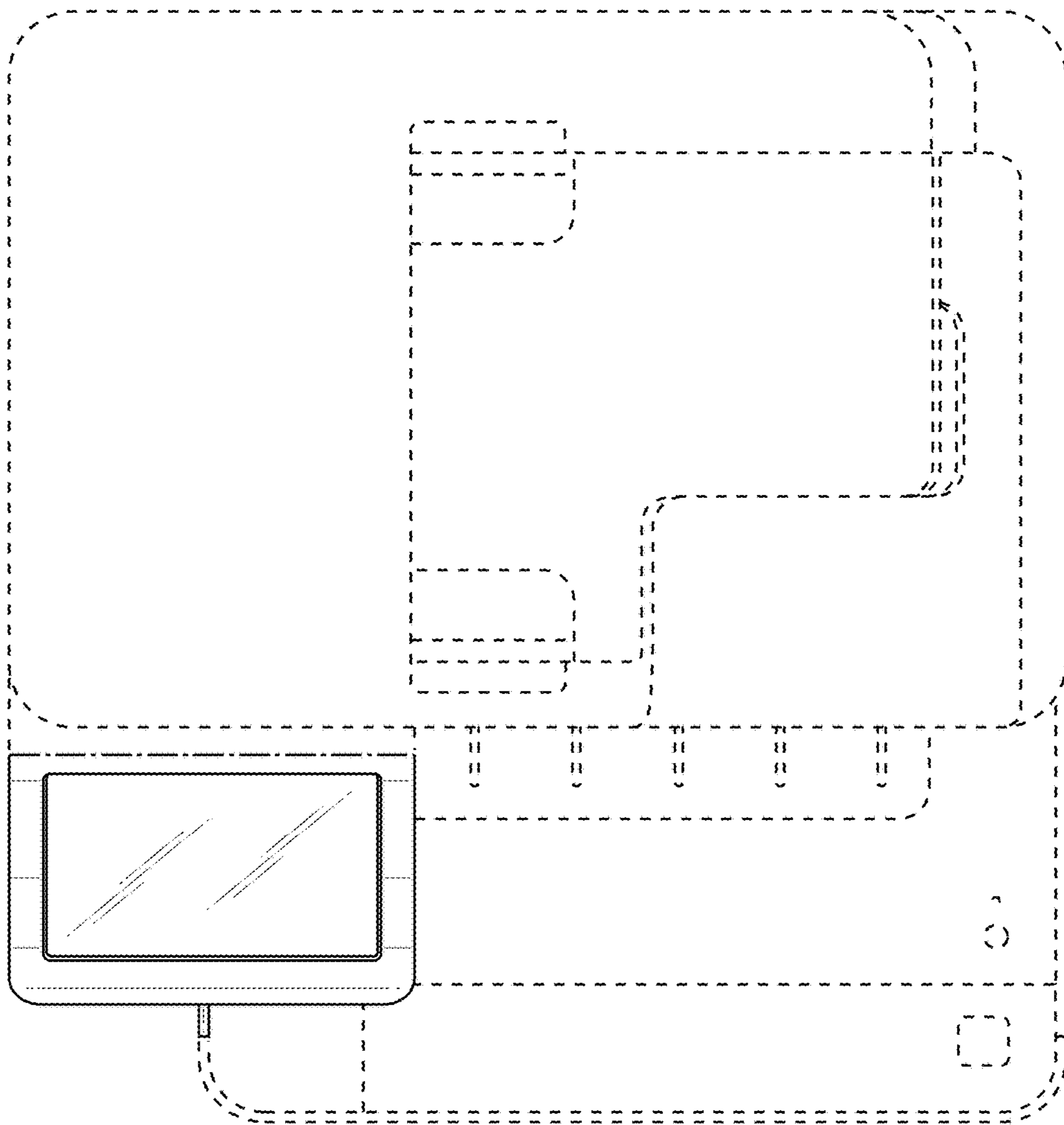


FIG. 6

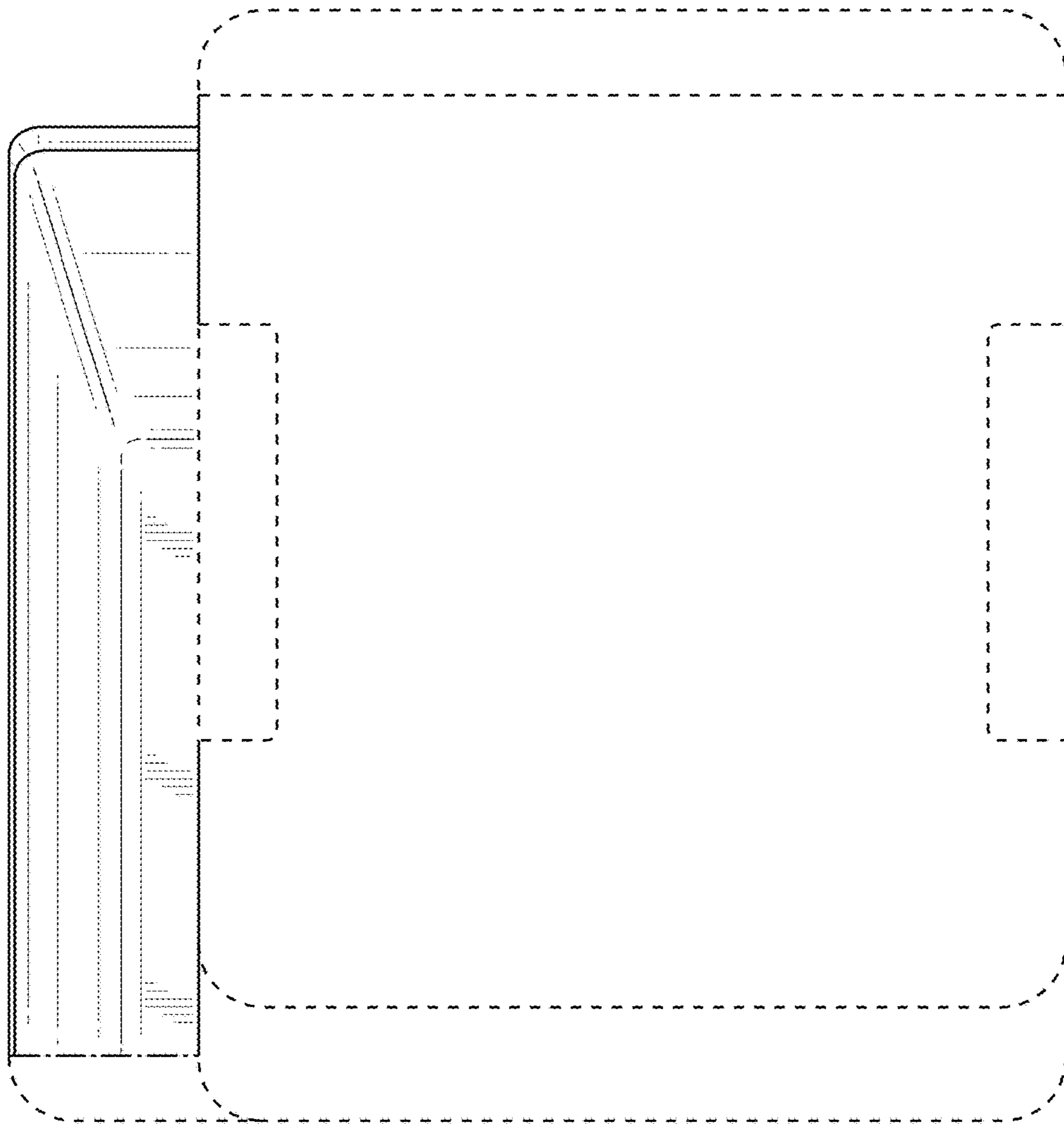


FIG. 7

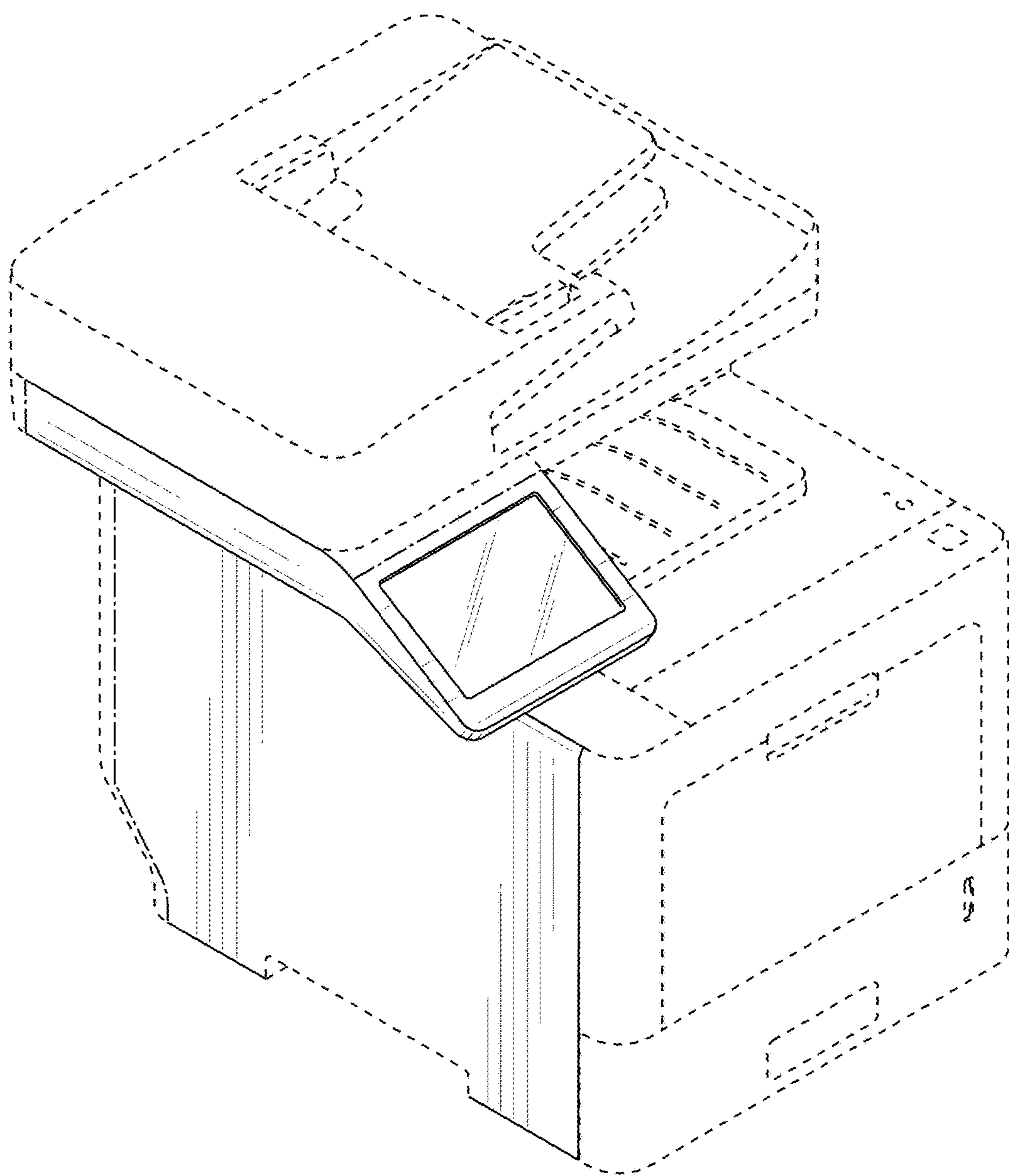


FIG. 8