



US00D868877S

(12) **United States Design Patent**  
**Lin et al.**

(10) **Patent No.:** **US D868,877 S**  
(45) **Date of Patent:** **\*\* Dec. 3, 2019**

(54) **CAMERA MOUNT**

(71) Applicant: **Gudsen Technology Co., Ltd.**,  
Shenzhen, Guangdong OT (CN)

(72) Inventors: **Chenguang Lin**, Guangdong (CN);  
**Xiheng Shi**, Guangdong (CN)

(73) Assignee: **Gudsen Technology Co., Ltd.**,  
Shenzhen (CN)

(\*\*) Term: **15 Years**

(21) Appl. No.: **29/665,258**

(22) Filed: **Oct. 2, 2018**

(30) **Foreign Application Priority Data**

Sep. 13, 2018 (CN) ..... 2018 3 0516064

(51) **LOC (12) Cl.** ..... **16-05**

(52) **U.S. Cl.**  
USPC ..... **D16/243**

(58) **Field of Classification Search**  
USPC ..... D16/219, 237–250; D8/354, 355, 363,  
D8/373, 382–383, 394–396; D14/224,  
D14/229, 238, 251–253, 447, 451, 457  
CPC ..... A45F 2200/0508–0533; A45F 5/00; A45F  
5/10; F16M 11/06–10; F16M 11/14;  
G02B 7/00–002; G03B 17/56; G03B  
17/561–568; H04N 5/2253–2254  
See application file for complete search history.

(56) **References Cited**

**U.S. PATENT DOCUMENTS**

9,458,963 B1 \* 10/2016 Choi ..... G01C 21/16  
D780,825 S \* 3/2017 Kim ..... D10/103  
D810,171 S \* 2/2018 Kim ..... D16/206  
9,891,505 B1 \* 2/2018 Wei ..... G03B 17/561  
9,894,279 B2 \* 2/2018 Wei ..... H04N 5/2328

D814,545 S \* 4/2018 Kim ..... D16/206  
D824,882 S \* 8/2018 Zheng ..... D14/217  
D826,310 S \* 8/2018 Wang ..... D16/243  
10,156,776 B1 \* 12/2018 Wei ..... G03B 17/561  
10,240,714 B2 \* 3/2019 Wei ..... G03B 17/561  
D849,497 S \* 5/2019 Wang ..... D8/71  
2015/0261070 A1 \* 9/2015 Feng ..... G03B 17/561  
396/421

(Continued)

**OTHER PUBLICATIONS**

MOZA Air 2—Gudsen MOZA. [online] Published on Jul. 2, 2019.  
Retrieved Aug. 16, 2019 from URL: <https://store.gudsen.com/products/moza-air-2>.\*

(Continued)

*Primary Examiner* — Vy N Koenig

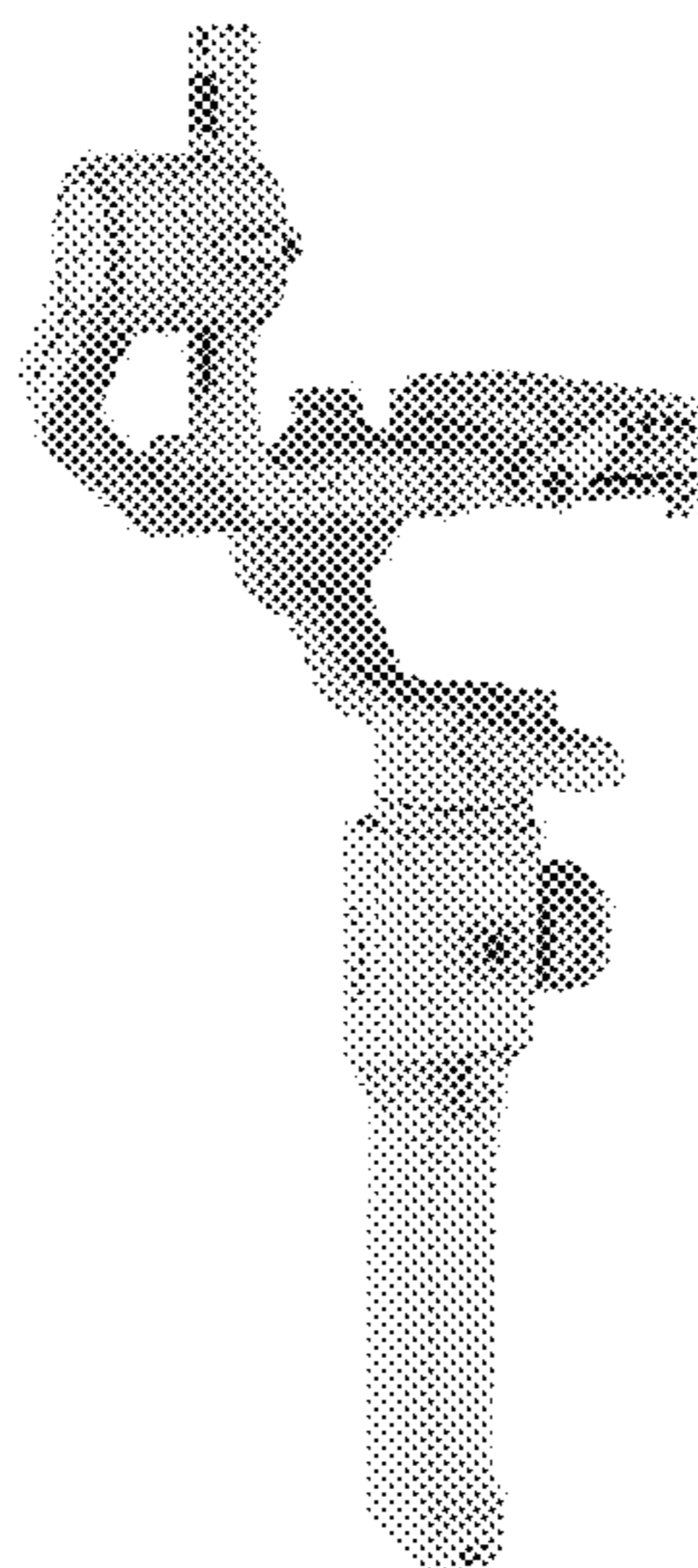
(57) **CLAIM**

The ornamental design for a camera mount, as shown and described.

**DESCRIPTION**

FIG. 1 is a front view of a camera mount showing our new design;  
FIG. 2 is a rear view thereof;  
FIG. 3 is a left view thereof;  
FIG. 4 is a right view thereof;  
FIG. 5 is a top view thereof;  
FIG. 6 is a bottom view thereof;  
FIG. 7 is a first top, front, left side perspective view thereof;  
FIG. 8 is a second top, front, left side perspective view thereof;  
FIG. 9 is a top, rear, right side perspective view thereof;  
FIG. 10 is a top, rear, left side perspective view thereof;  
FIG. 11 is a front, right side perspective view thereof; and,  
FIG. 12 is a bottom, front, right side perspective view thereof.

**1 Claim, 12 Drawing Sheets**



(56)

**References Cited**

U.S. PATENT DOCUMENTS

2016/0381271 A1\* 12/2016 Cheng ..... F16M 11/041  
348/208.2  
2017/0037995 A1\* 2/2017 Pan ..... F16M 11/18  
2017/0064176 A1\* 3/2017 Kim ..... F16M 11/18  
2017/0146892 A1\* 5/2017 Wei ..... F16M 11/045  
2017/0241589 A1\* 8/2017 Wang ..... F16M 11/18  
2017/0307136 A1\* 10/2017 Wei ..... F16M 11/12  
2018/0031951 A1\* 2/2018 Wang ..... G03B 17/561

OTHER PUBLICATIONS

DJI Ronin-S—Handheld Gimbal for DSLRs. [online] Published on Mar. 28, 2018. Retrieved Aug. 16, 2019 from URL: <https://www.b12.it/en/stabilizers-gimbals/4241-dji-ronin-s-handheld-gimbal-for-dslrs-and-mirrorless-cameras-6958265171338.html>.\*

\* cited by examiner

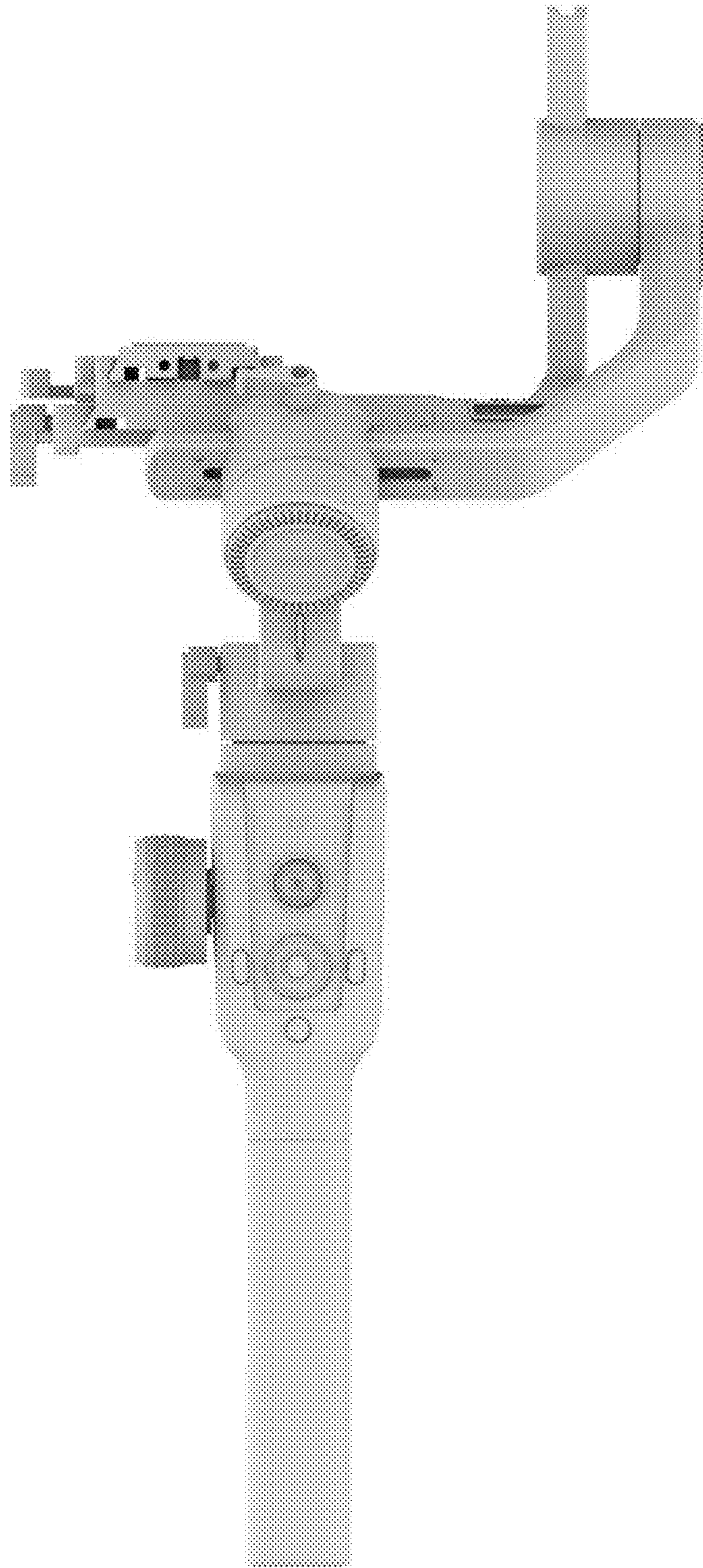


Fig. 1

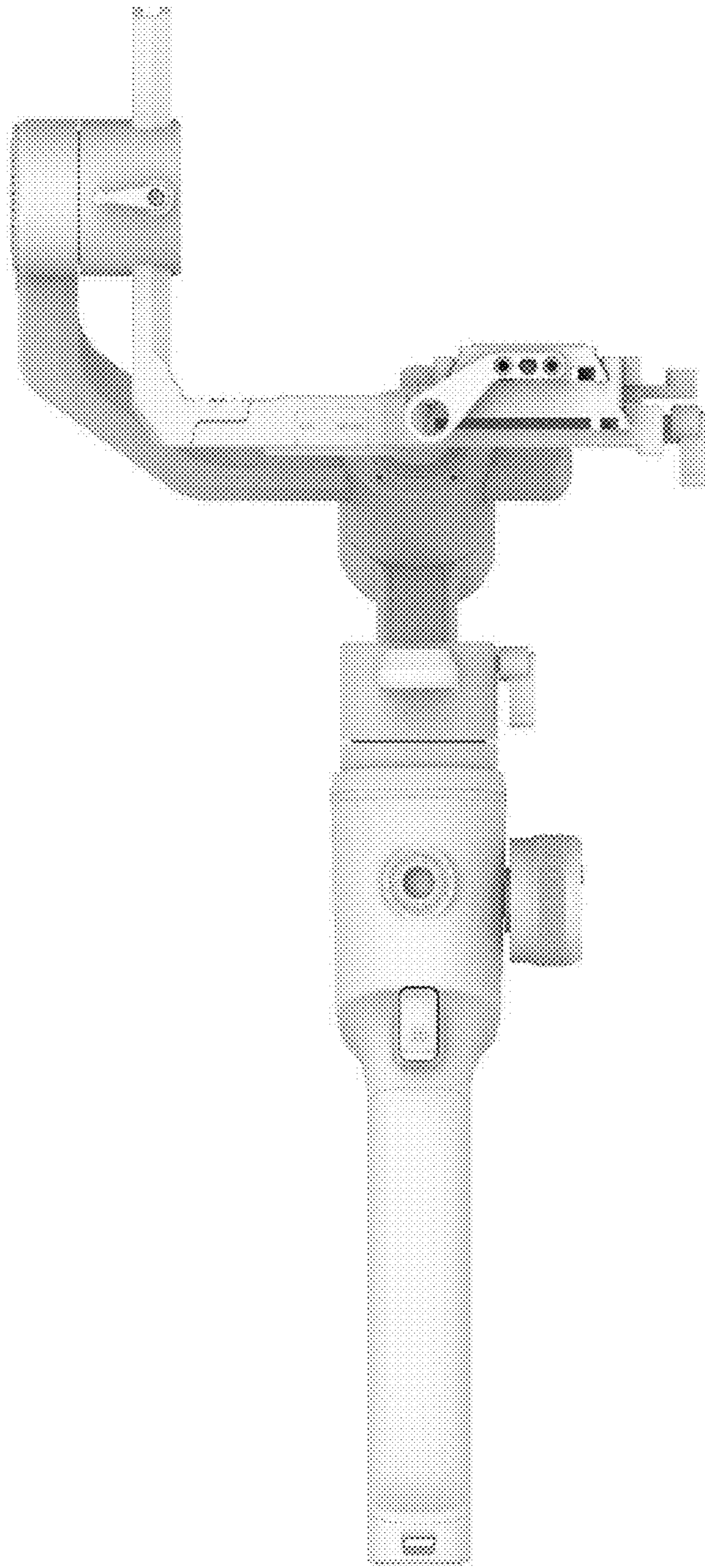


Fig. 2

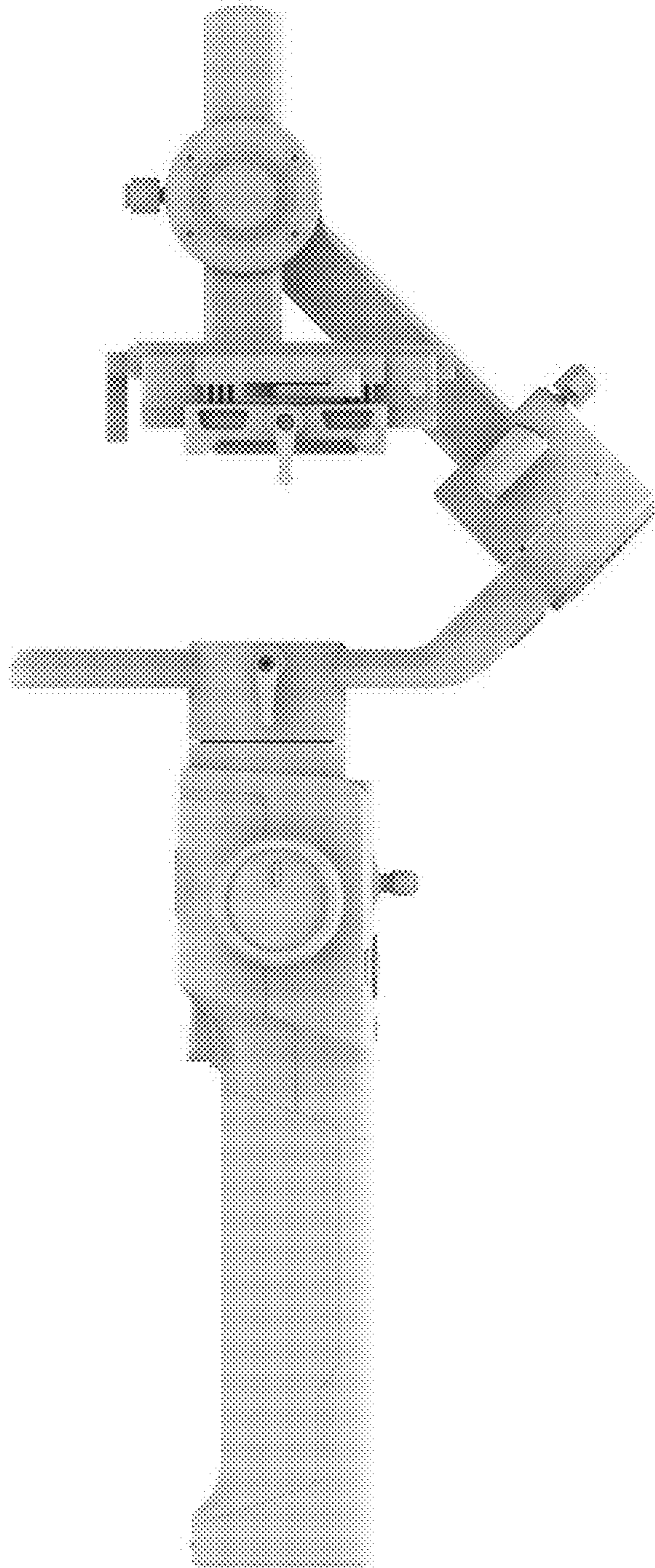


Fig. 3

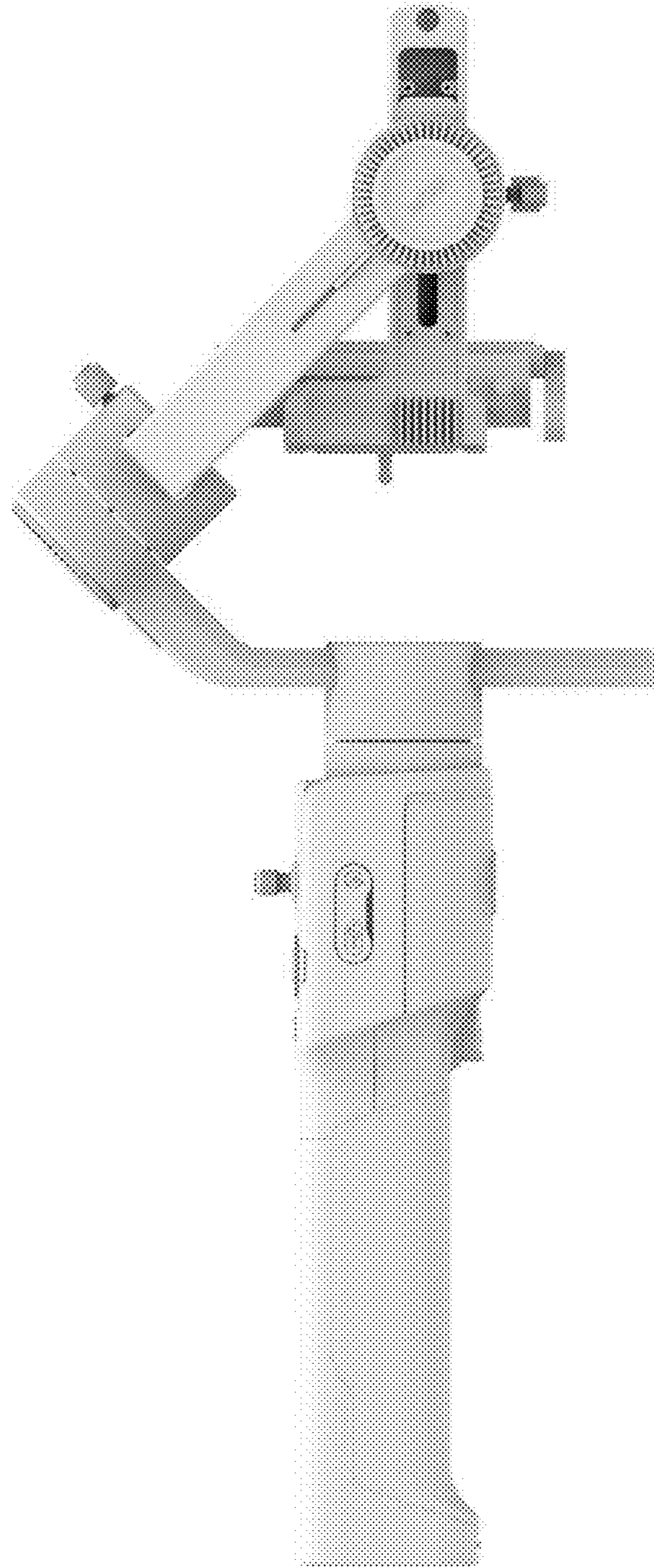


Fig. 4

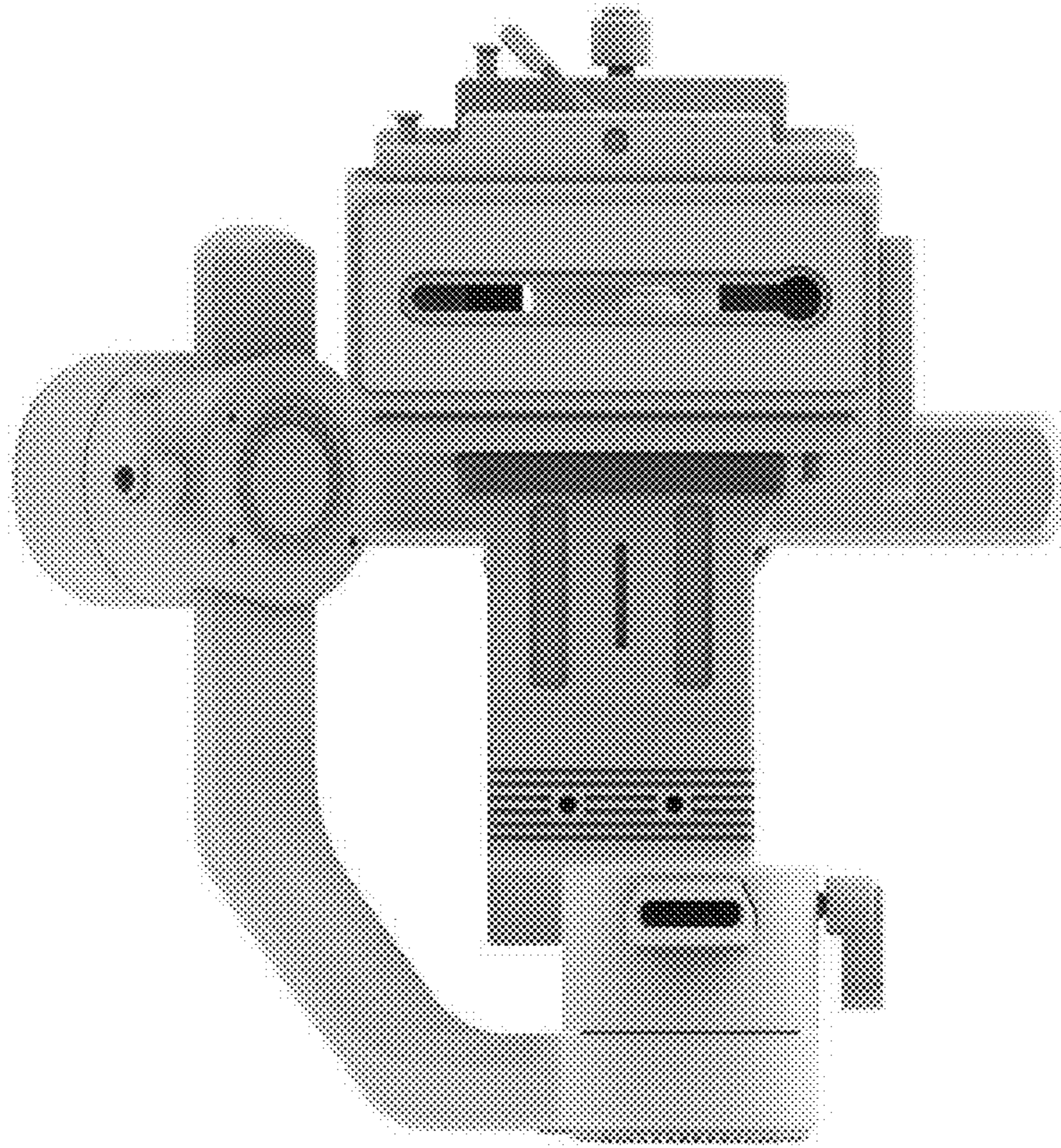


Fig. 5

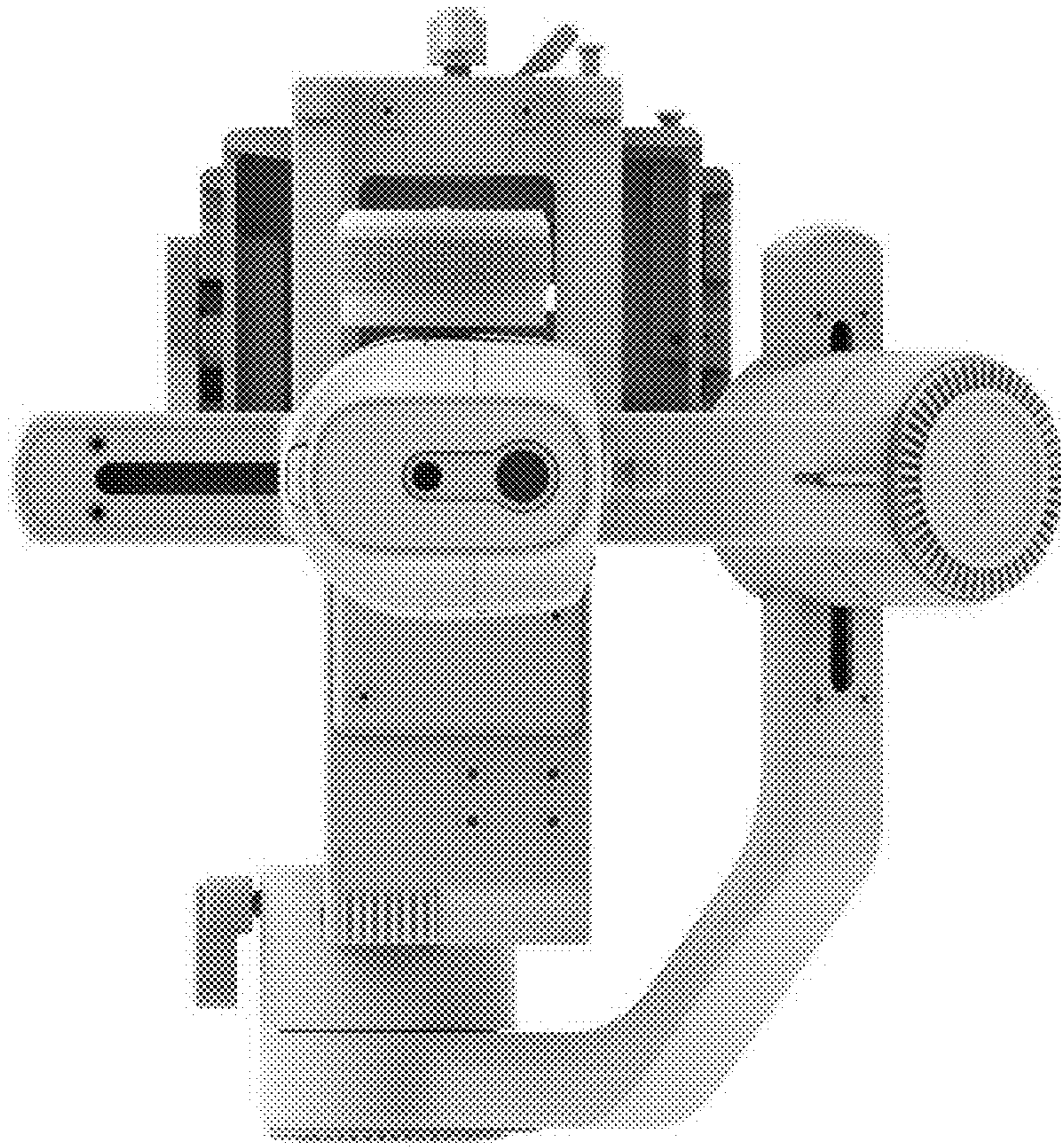


Fig. 6



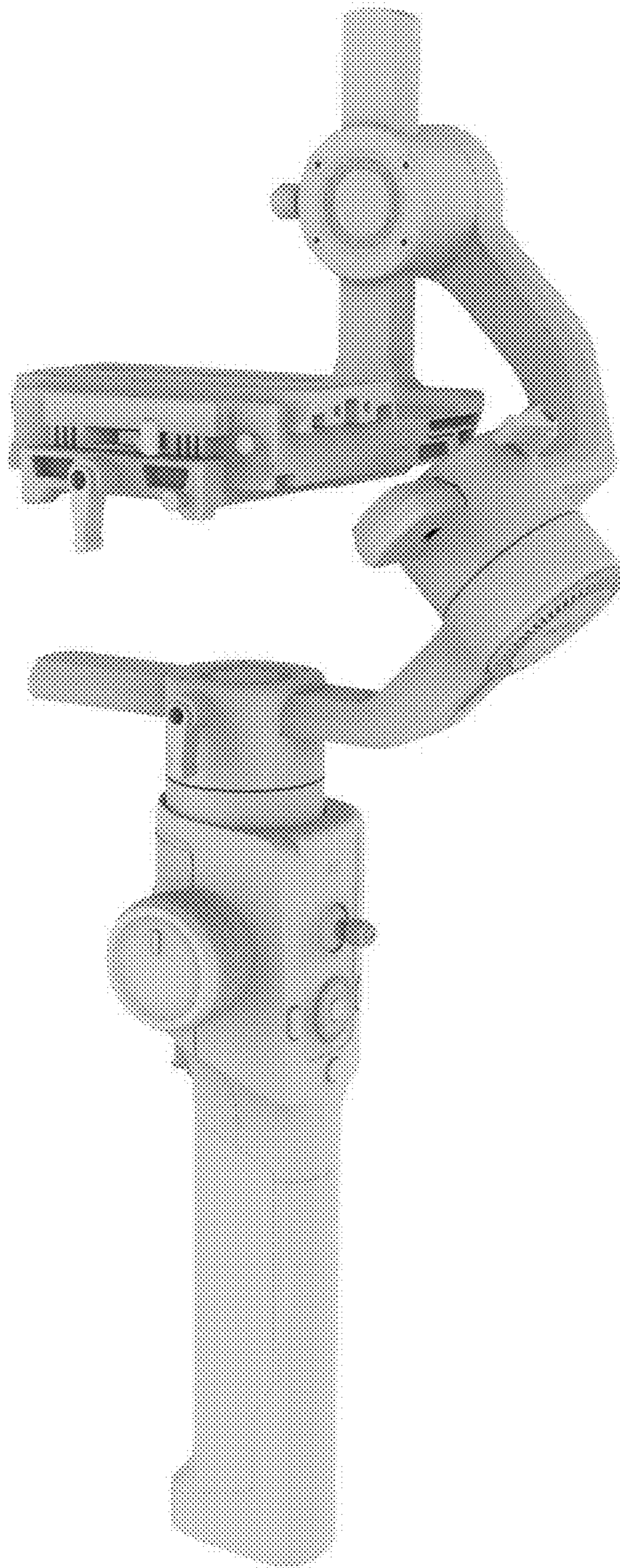


Fig. 7

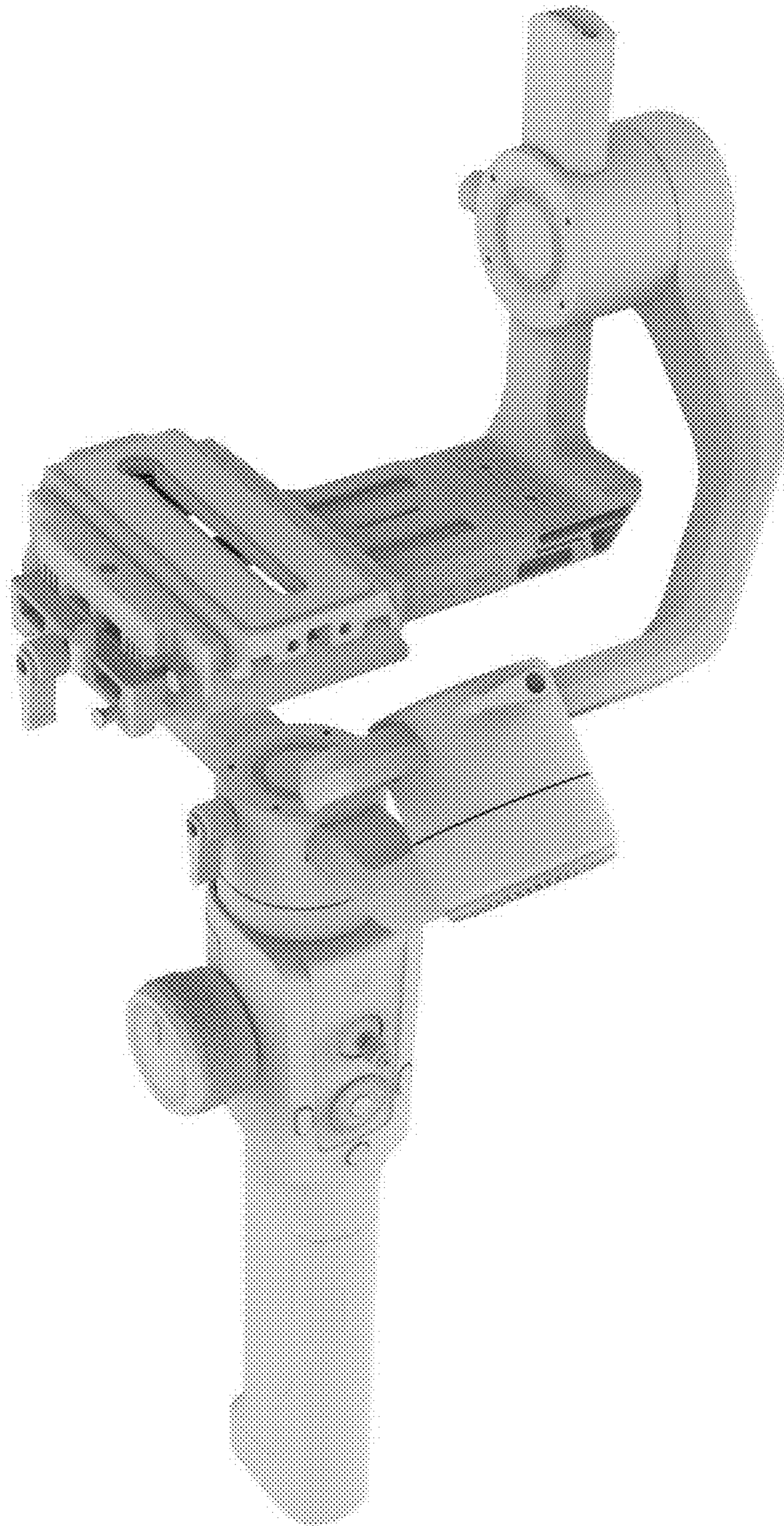


Fig. 8

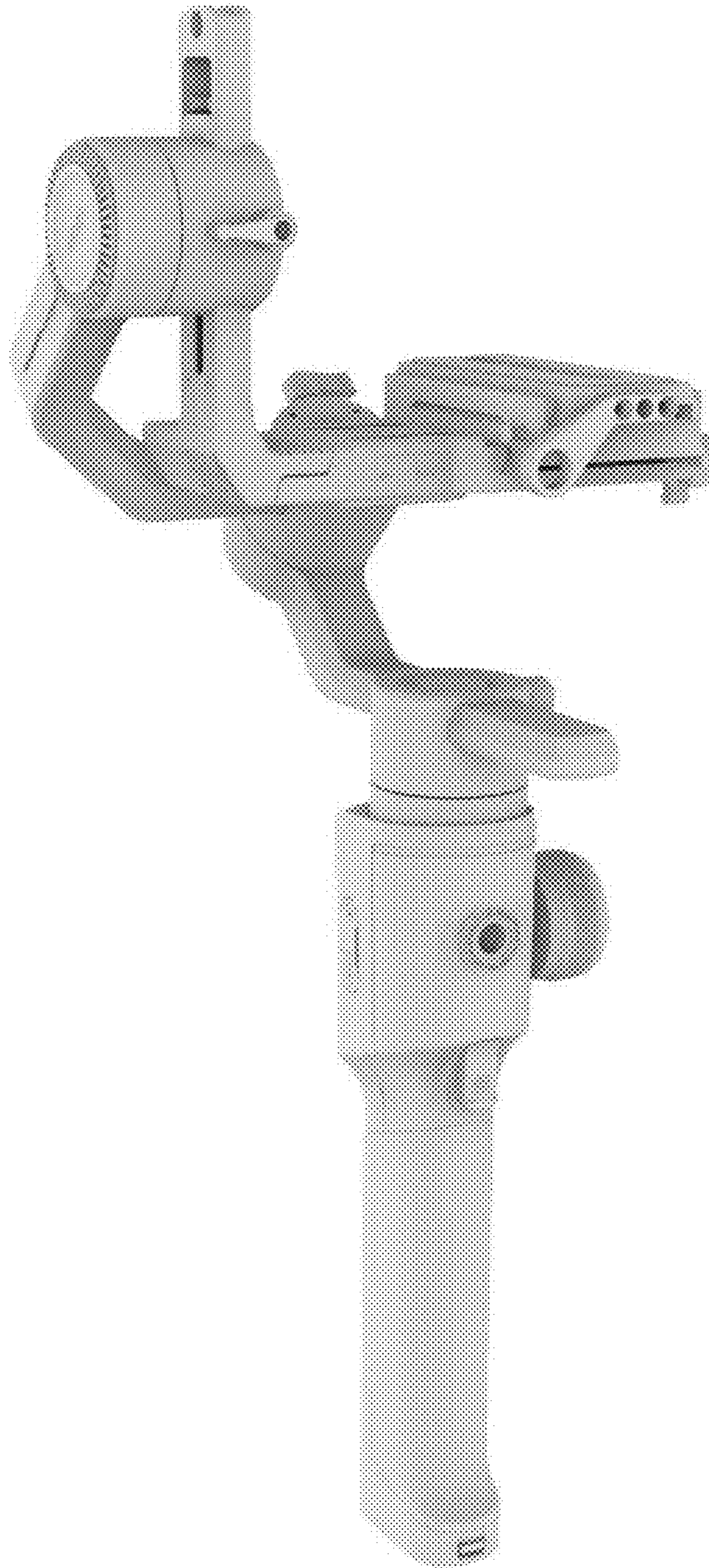


Fig. 9

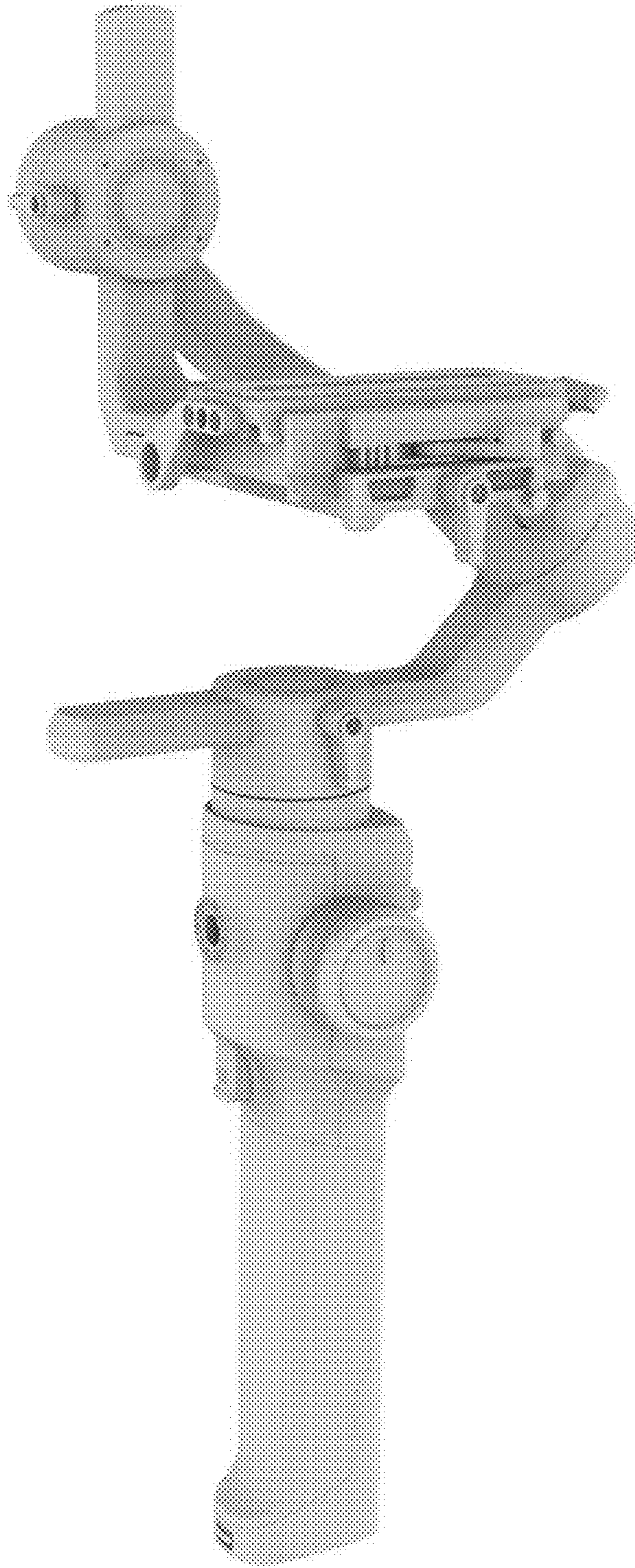


Fig. 10

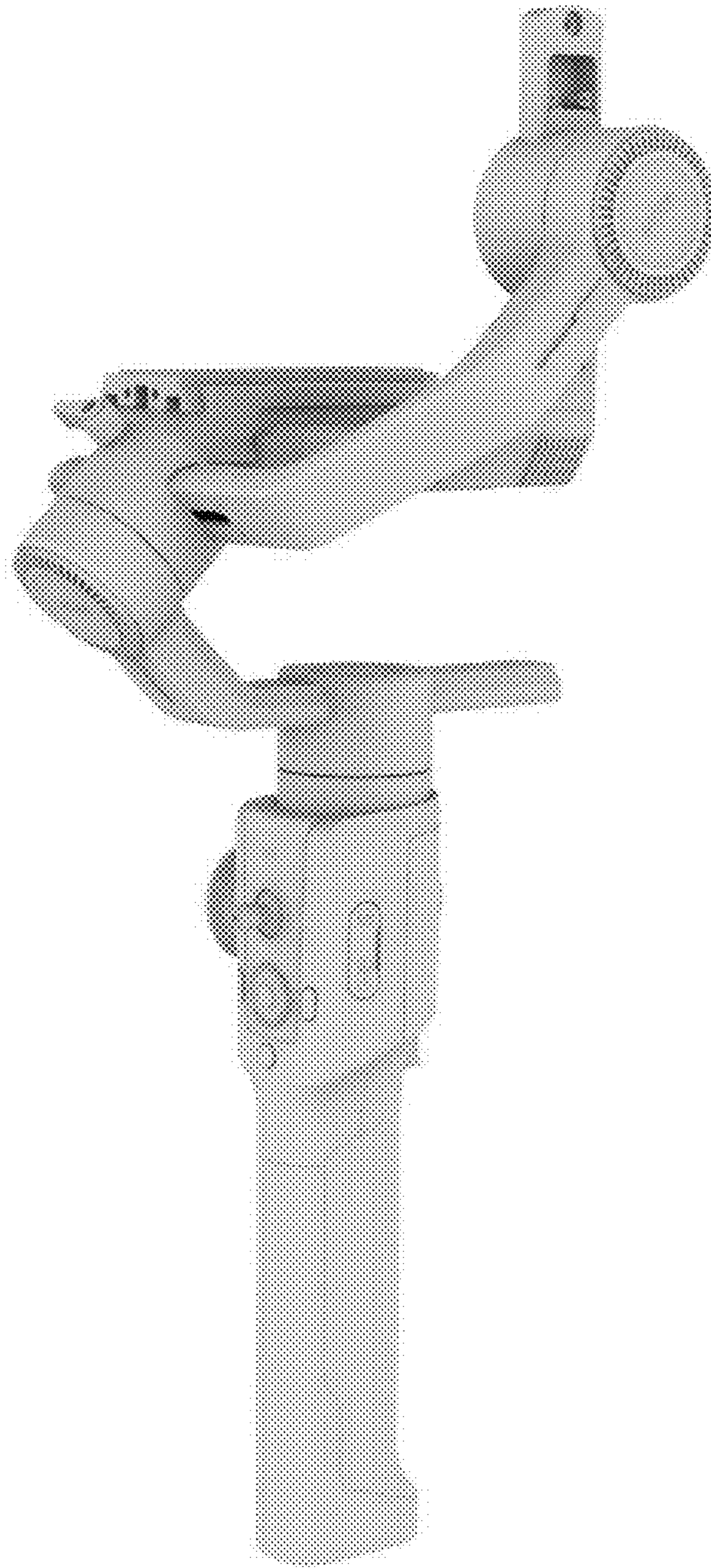


Fig. 11

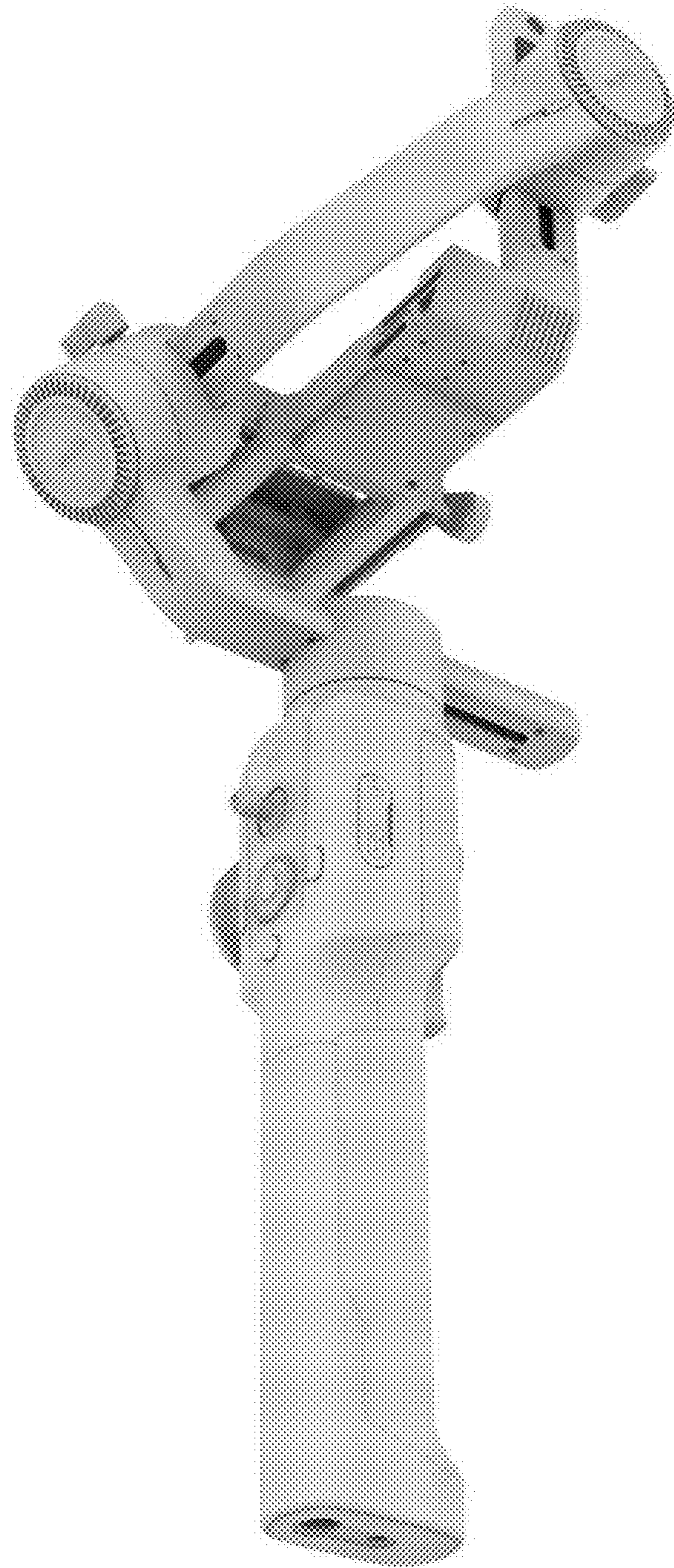


Fig. 12