



US00D868876S

(12) **United States Design Patent** (10) **Patent No.:** **US D868,876 S**  
**Gupta et al.** (45) **Date of Patent:** **\*\* Dec. 3, 2019**

(54) **CAMERA CARRIER** 6,011,661 A \* 1/2000 Weng ..... G02B 7/00  
 348/E5.027  
 (71) Applicant: **Altia Systems, Inc**, Cupertino, CA (US) D609,030 S \* 2/2010 Barabas ..... D14/238  
 D634,947 S \* 3/2011 Barabas ..... D14/434  
 (72) Inventors: **Yashket Gupta**, San Jose, CA (US); D662,572 S \* 6/2012 Marquis-Martin ..... D23/259  
**Otto Sponring**, Los Altos, CA (US); D692,898 S \* 11/2013 Luijben ..... D14/447  
**Sunil Kumar Madaan**, Ahmedabad 9,681,030 B2 \* 6/2017 Li ..... H04N 5/2253  
 (IN) D795,682 S \* 8/2017 Downs ..... D8/382  
 D808,248 S \* 1/2018 Krombein ..... D8/354  
 9,880,327 B2 \* 1/2018 Park ..... H04N 5/23287  
 (73) Assignee: **Altia Systems, Inc.**, Cupertino, CA D828,746 S \* 9/2018 Barnes ..... D8/382  
 (US) D837,041 S \* 1/2019 Barnes ..... D8/382

(\*\*) Term: **15 Years**

(21) Appl. No.: **29/634,955**

(22) Filed: **Jan. 25, 2018**

(51) **LOC (12) Cl.** ..... **16-05**

(52) **U.S. Cl.**  
USPC ..... **D16/242**

(58) **Field of Classification Search**  
 USPC ..... D16/219, 237–250; D14/224, 229, 238,  
 D14/251, 253; D8/354, 355, 363, 373,  
 D8/382–383, 394–396  
 CPC ..... F16M 11/06–10; F16M 11/14; G02B  
 7/00–002; G03B 17/56; G03B  
 17/561–568; H04N 5/2253–2254; A45F  
 2200/0508–0533; A45F 5/00; A45F 5/10  
 See application file for complete search history.

(56) **References Cited**

**U.S. PATENT DOCUMENTS**

D256,015 S \* 7/1980 Doherty ..... D14/224  
 D289,772 S \* 5/1987 Young ..... 224/908

\* cited by examiner

*Primary Examiner* — Vy N Koenig

(74) *Attorney, Agent, or Firm* — HMLG Law Group LLP;  
Vanintheran Moodley, Esq.

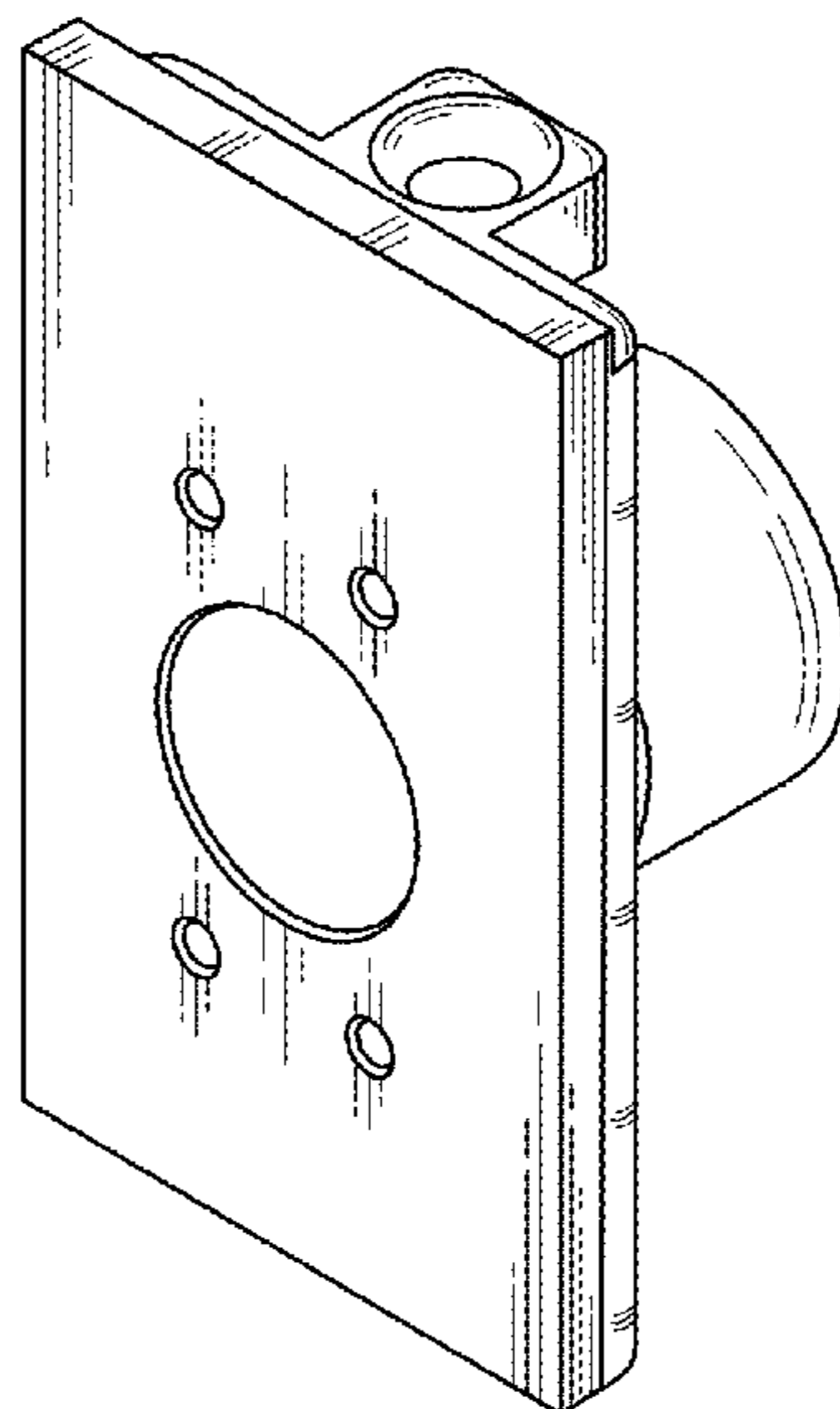
(57) **CLAIM**

The ornamental design for a camera carrier, as shown and described.

**DESCRIPTION**

FIG. 1 is a top view of a camera carrier showing my new design.  
 FIG. 2 is a bottom view of the camera carrier.  
 FIG. 3 is a right side view of the camera carrier.  
 FIG. 4 is a left side view of the camera carrier.  
 FIG. 5 is a rear elevation view of the camera carrier; and,  
 FIG. 6 is a rear perspective view of the camera carrier.

**1 Claim, 6 Drawing Sheets**



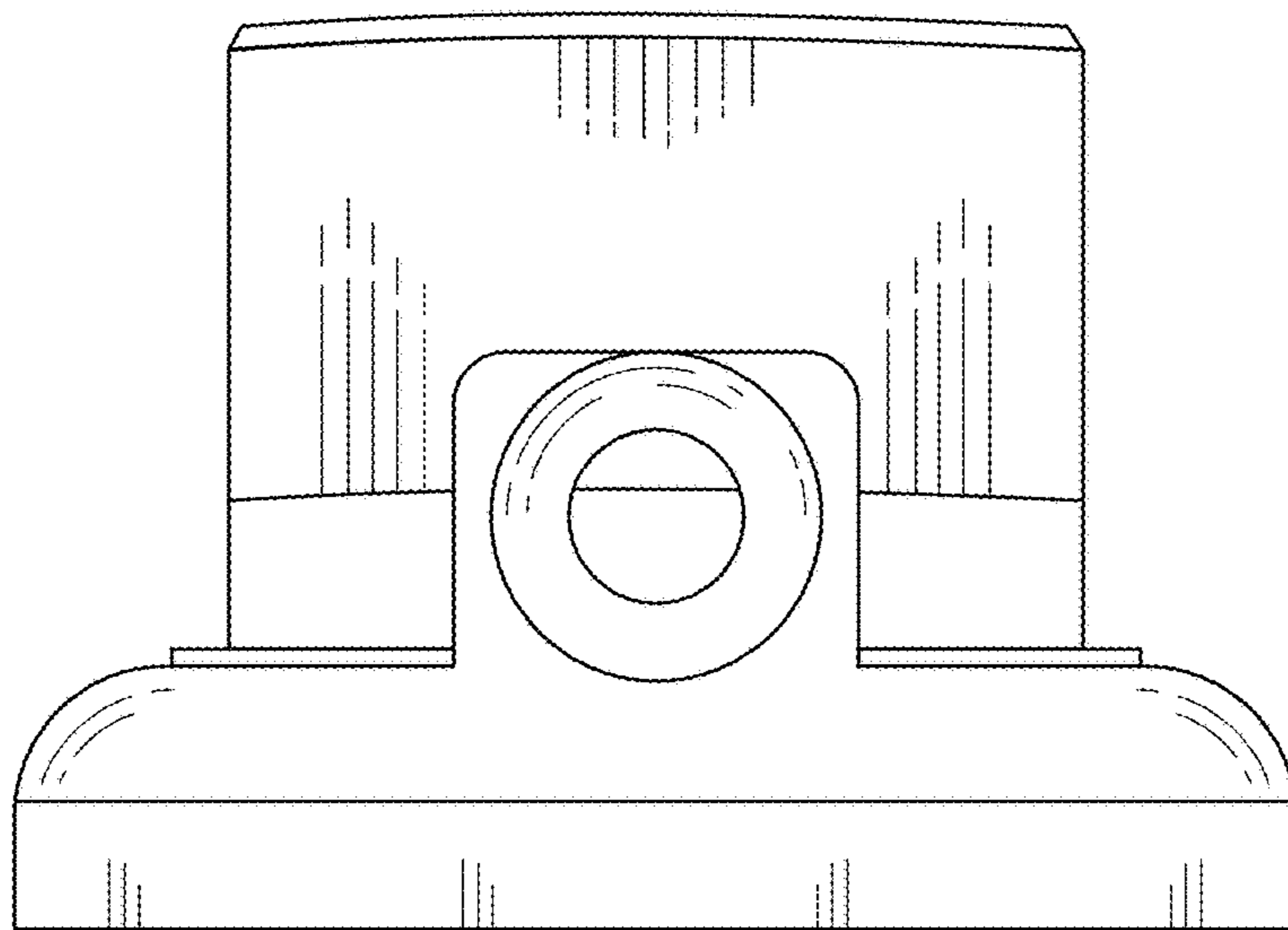


FIG. 1

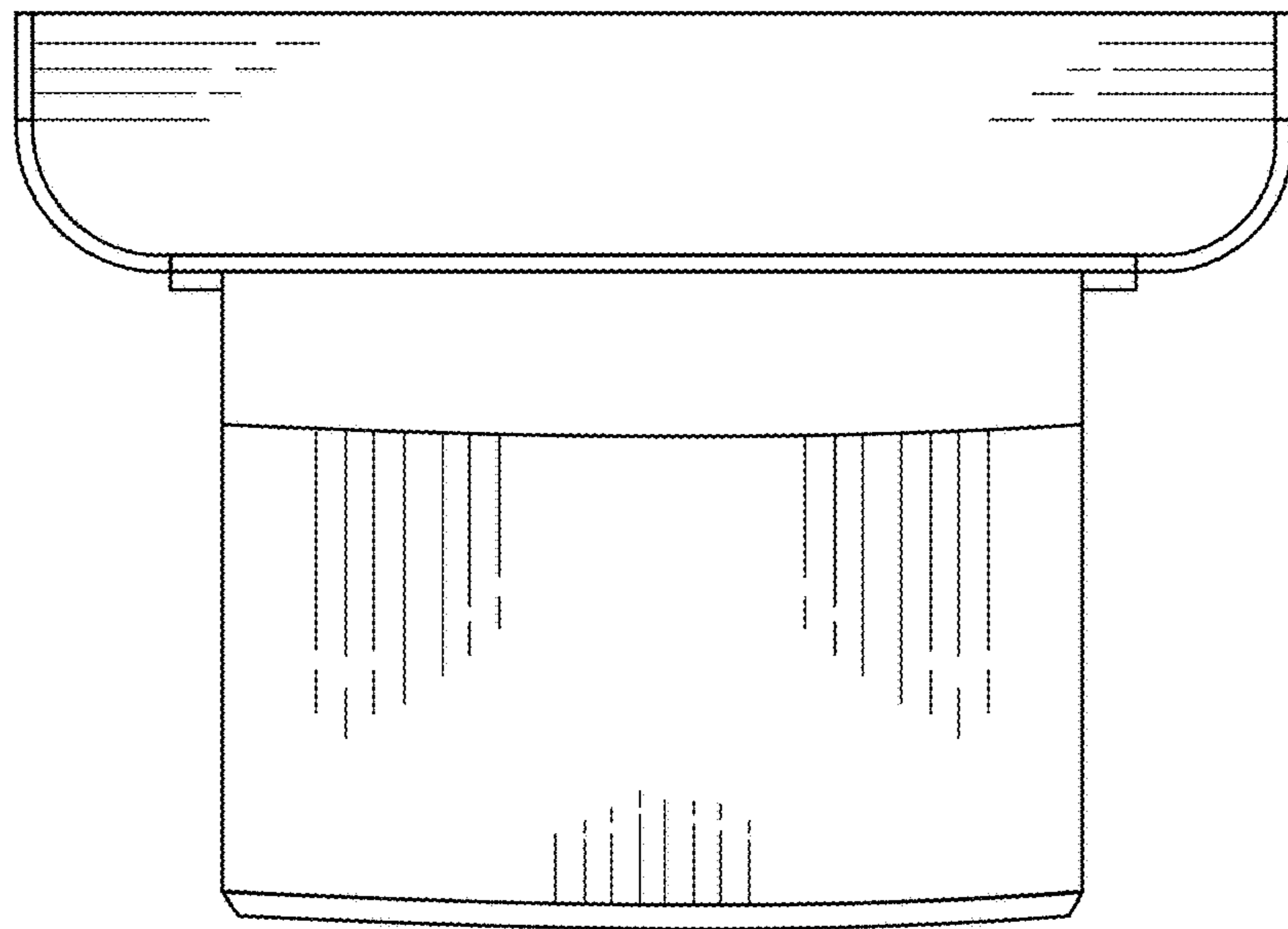


FIG. 2

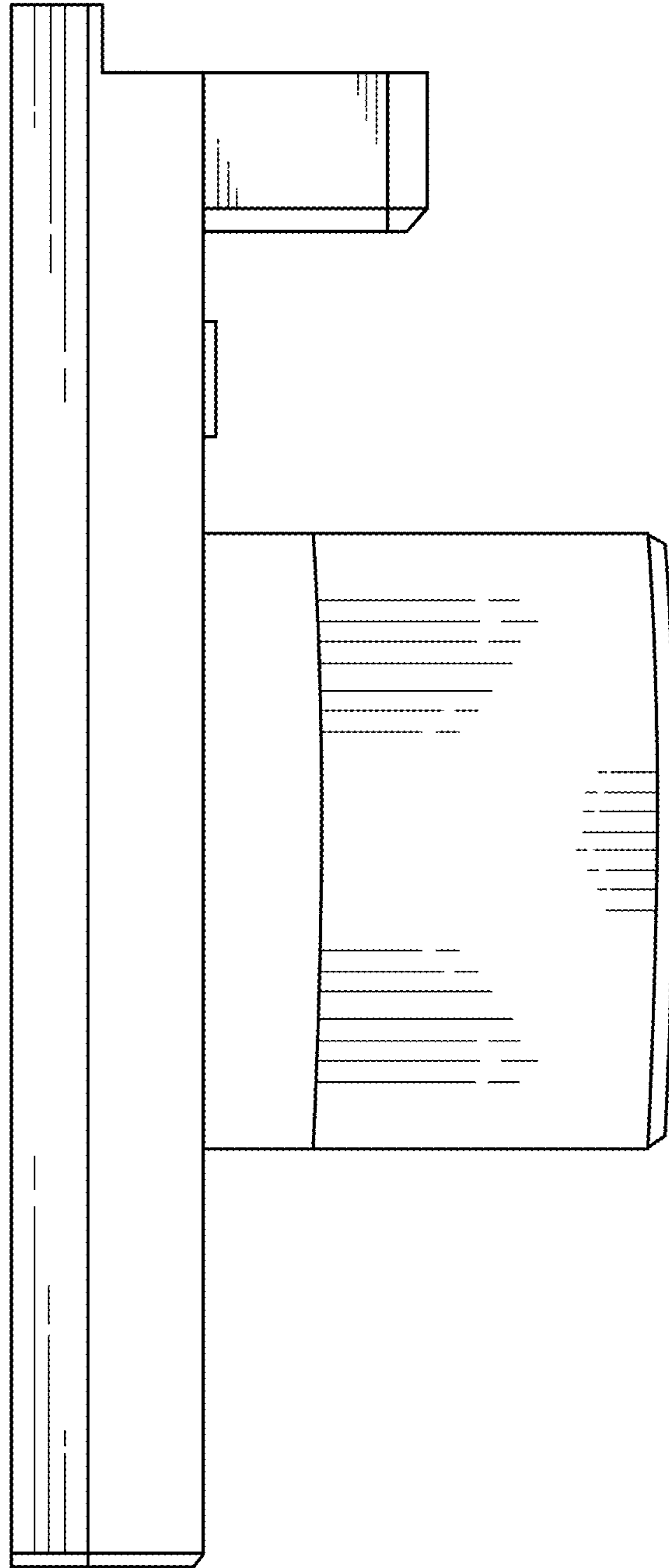


FIG. 3

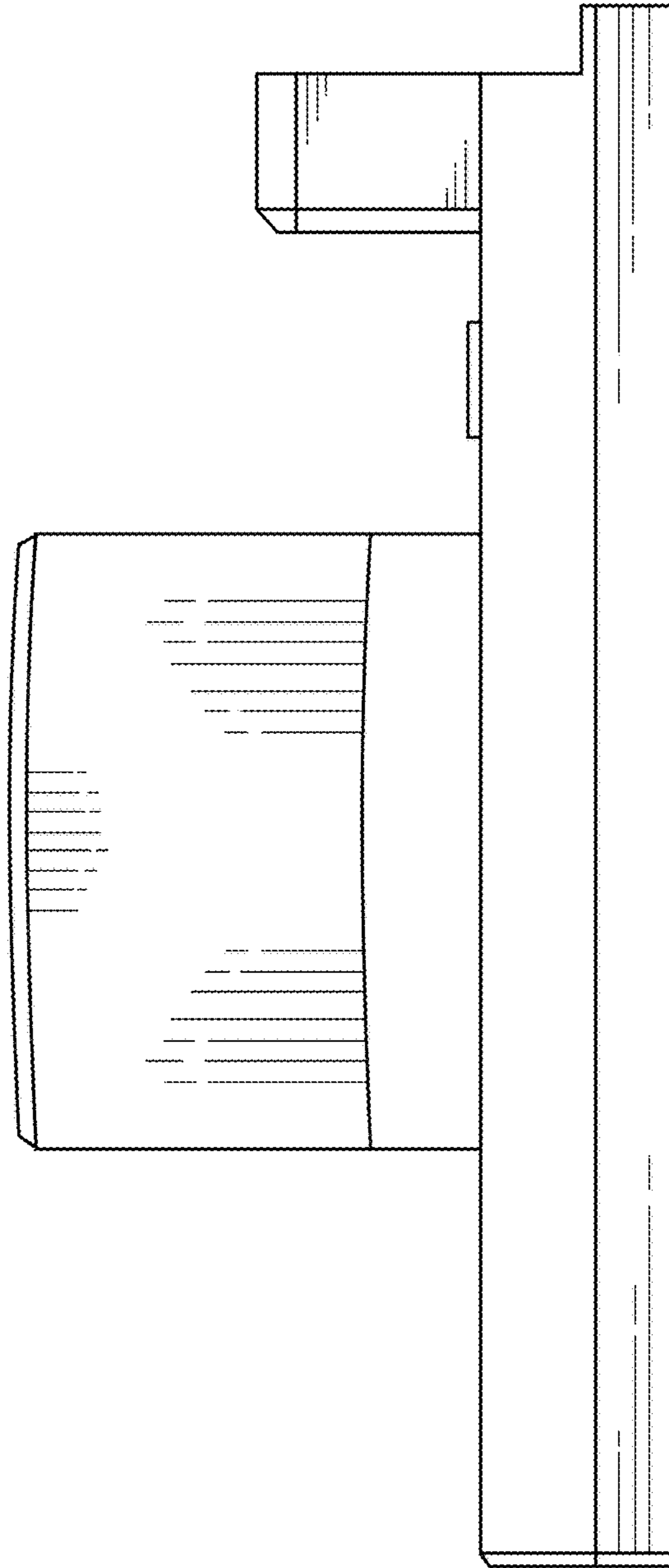


FIG. 4

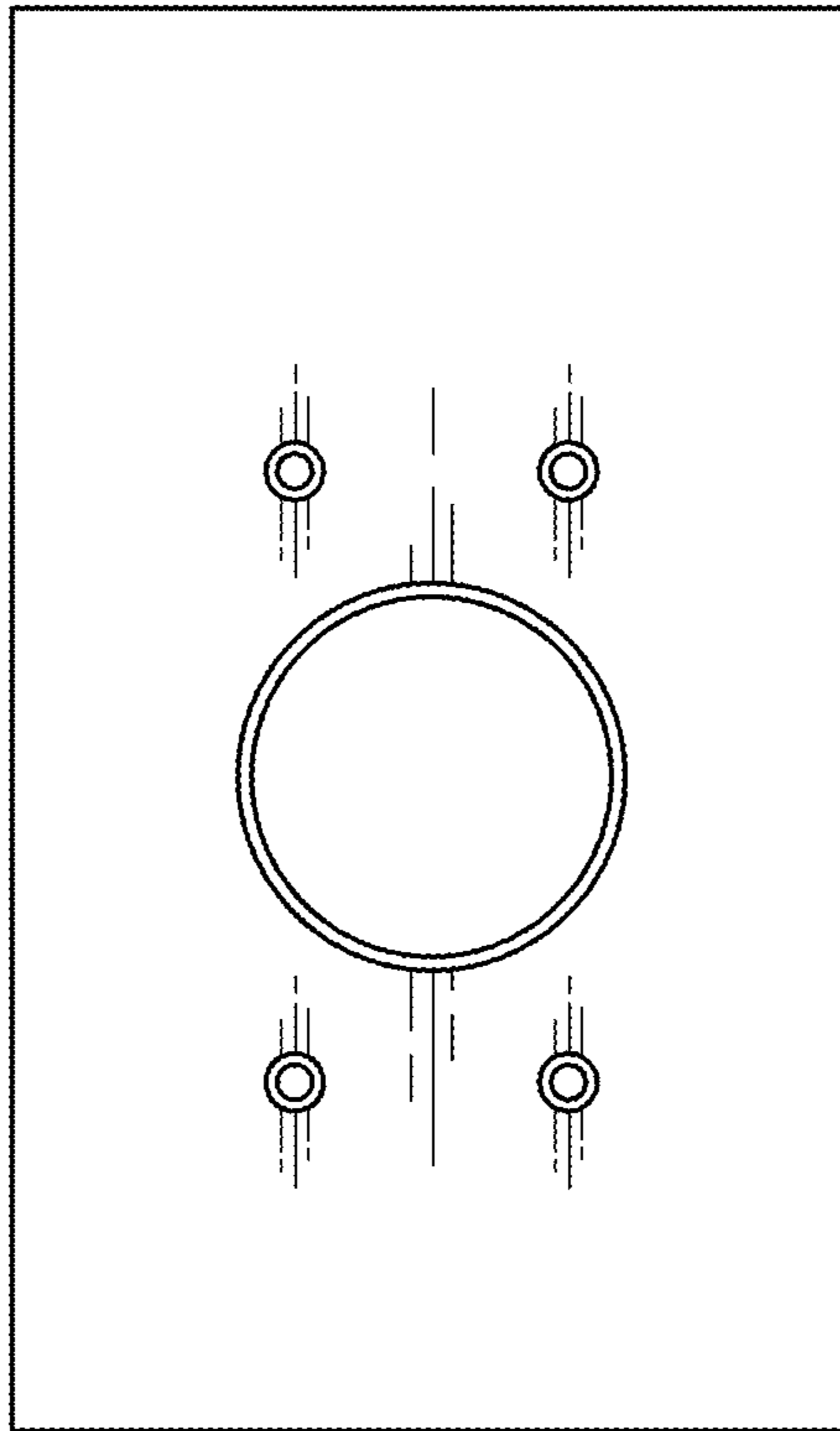


FIG. 5

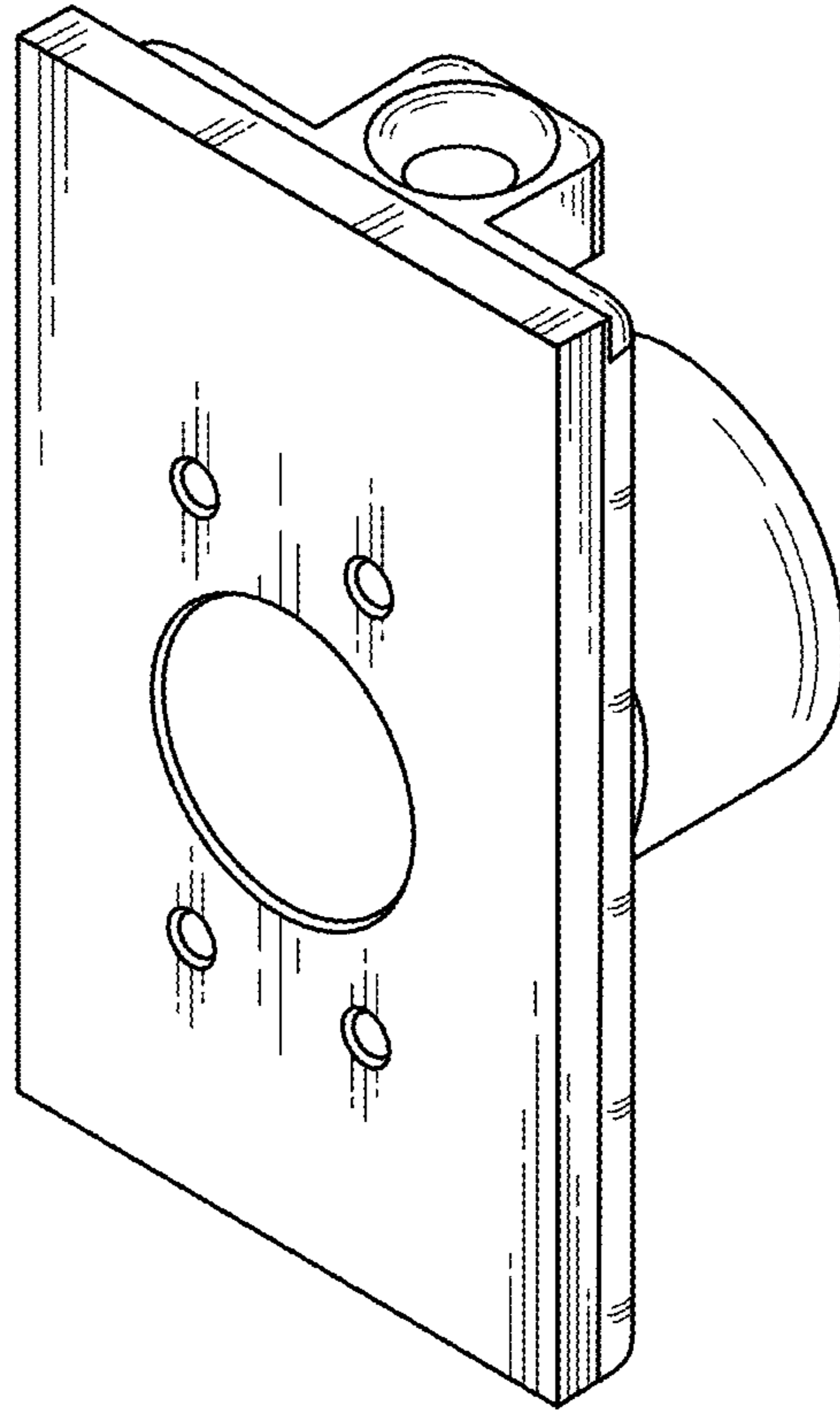


FIG. 6