



US00D868874S

(12) **United States Design Patent** (10) **Patent No.:** **US D868,874 S**
Muhlenkamp et al. (45) **Date of Patent:** **** Dec. 3, 2019**

(54) **MULTI-LENS CAMERA**
(71) Applicant: **GoPro, Inc.**, San Mateo, CA (US)
(72) Inventors: **John George Muhlenkamp**, Brisbane, CA (US); **Huy Phuong Nguyen**, San Mateo, CA (US)
(73) Assignee: **GoPro, Inc.**, San Mateo, CA (US)
(**) Term: **15 Years**

D496,674 S *	9/2004	Hayashi	D16/202
D531,199 S *	10/2006	Matsuda	D16/202
D594,047 S *	6/2009	Lee	D16/202
D676,476 S *	2/2013	Ishikura	D16/202
D692,042 S *	10/2013	Dawes	D16/203
D725,691 S *	3/2015	De Rosa	D16/202
D744,572 S *	12/2015	Tabuchi	D16/218
D755,271 S *	5/2016	Patulski	D16/202
D755,274 S *	5/2016	Lee	D16/218
D764,559 S *	8/2016	Luo	D16/202
2014/0160349 A1 *	6/2014	Huang	H04N 5/2251 348/375

(21) Appl. No.: **29/699,947**

* cited by examiner

(22) Filed: **Jul. 30, 2019**

Primary Examiner — Ramzi S Almatrahi

Related U.S. Application Data

(74) *Attorney, Agent, or Firm* — Young Basile Hanlon & MacFarlane, P.C.

(63) Continuation of application No. 29/665,724, filed on Oct. 5, 2018, which is a continuation of application No. 29/549,344, filed on Dec. 21, 2015, now Pat. No. Des. 830,446, which is a continuation-in-part of application No. 29/548,661, filed on Dec. 15, 2015, now abandoned.

(57) **CLAIM**

(51) **LOC (12) Cl.** **16-05**

The ornamental design for a multi-lens camera, as shown and described.

(52) **U.S. Cl.**

USPC **D16/219**

(58) **Field of Classification Search**

USPC D16/200, 202–207, 208–210, 212, 218, D16/219; 348/373–376; 396/448, 535, 396/539–541

CPC G03B 15/03; G03B 17/02; G03B 17/04; G03B 17/56; G03B 19/04; H04N 5/2251; H04N 5/2252; H04N 5/2253; H04N 5/2254; H04N 2101/00

See application file for complete search history.

DESCRIPTION

(56) **References Cited**

U.S. PATENT DOCUMENTS

D480,741 S *	10/2003	Berger	D16/202
6,718,129 B1 *	4/2004	Cornell	G03B 17/02 396/176

FIG. 1 is a top, front, and left perspective view of a first embodiment of a multi-lens camera showing our new design;

FIG. 2 is a front view thereof;

FIG. 3 is a rear view thereof;

FIG. 4 is a left view thereof;

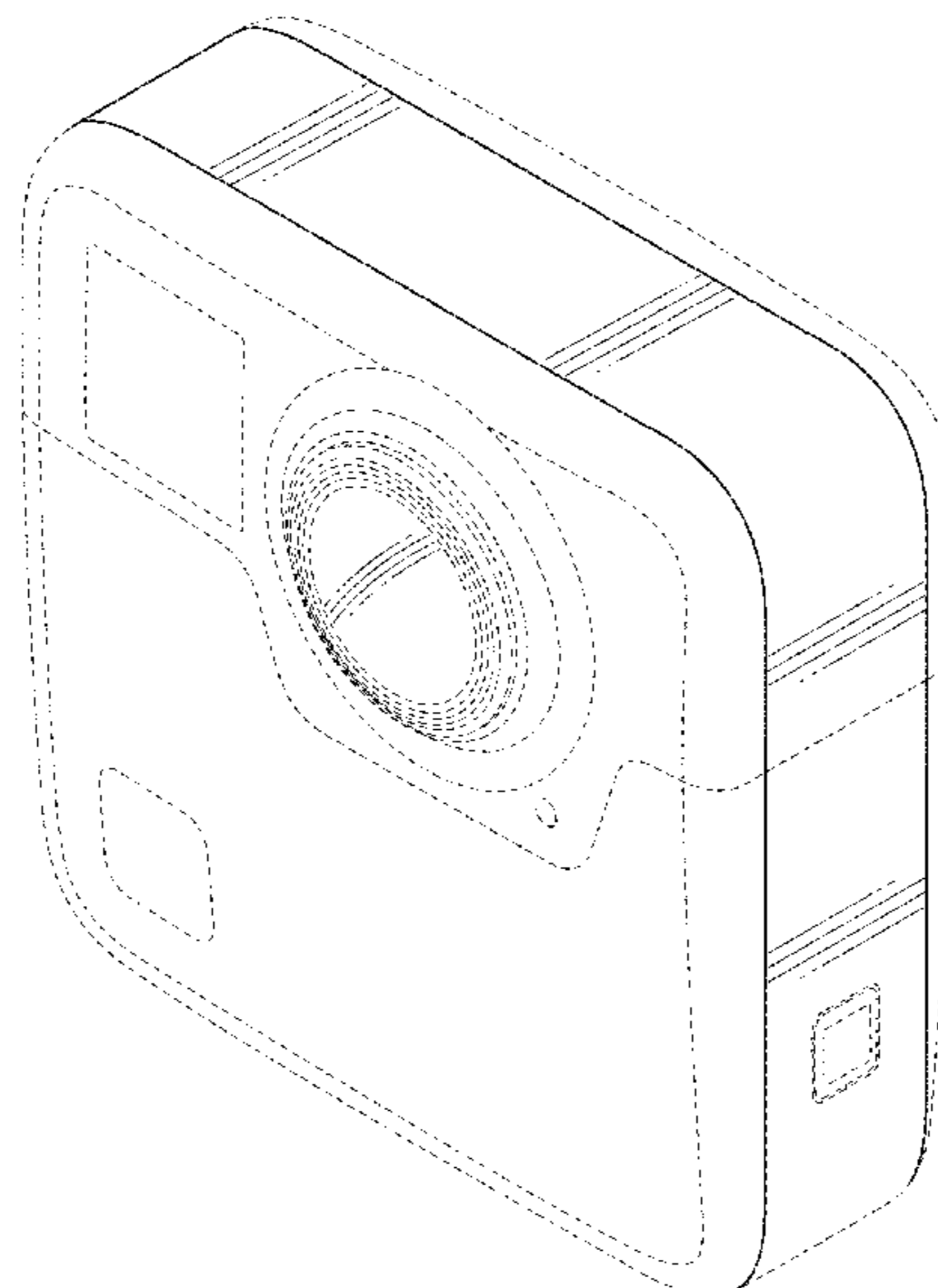
FIG. 5 is a right view thereof;

FIG. 6 is a top view thereof; and,

FIG. 7 is a bottom view thereof.

The broken lines depict portions of the multi-lens camera in which the design is embodied, which form no part of the claimed design.

1 Claim, 7 Drawing Sheets



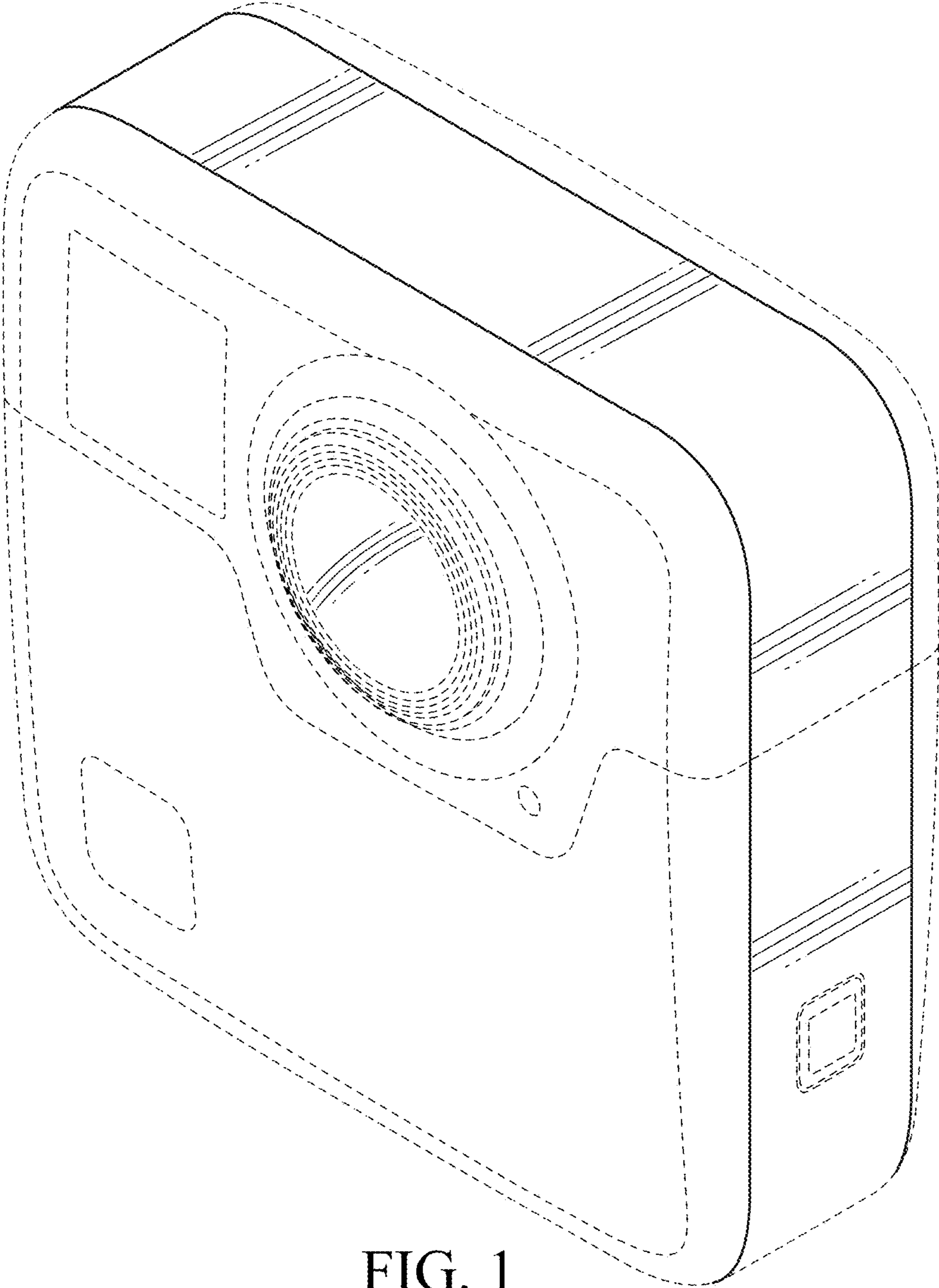


FIG. 1

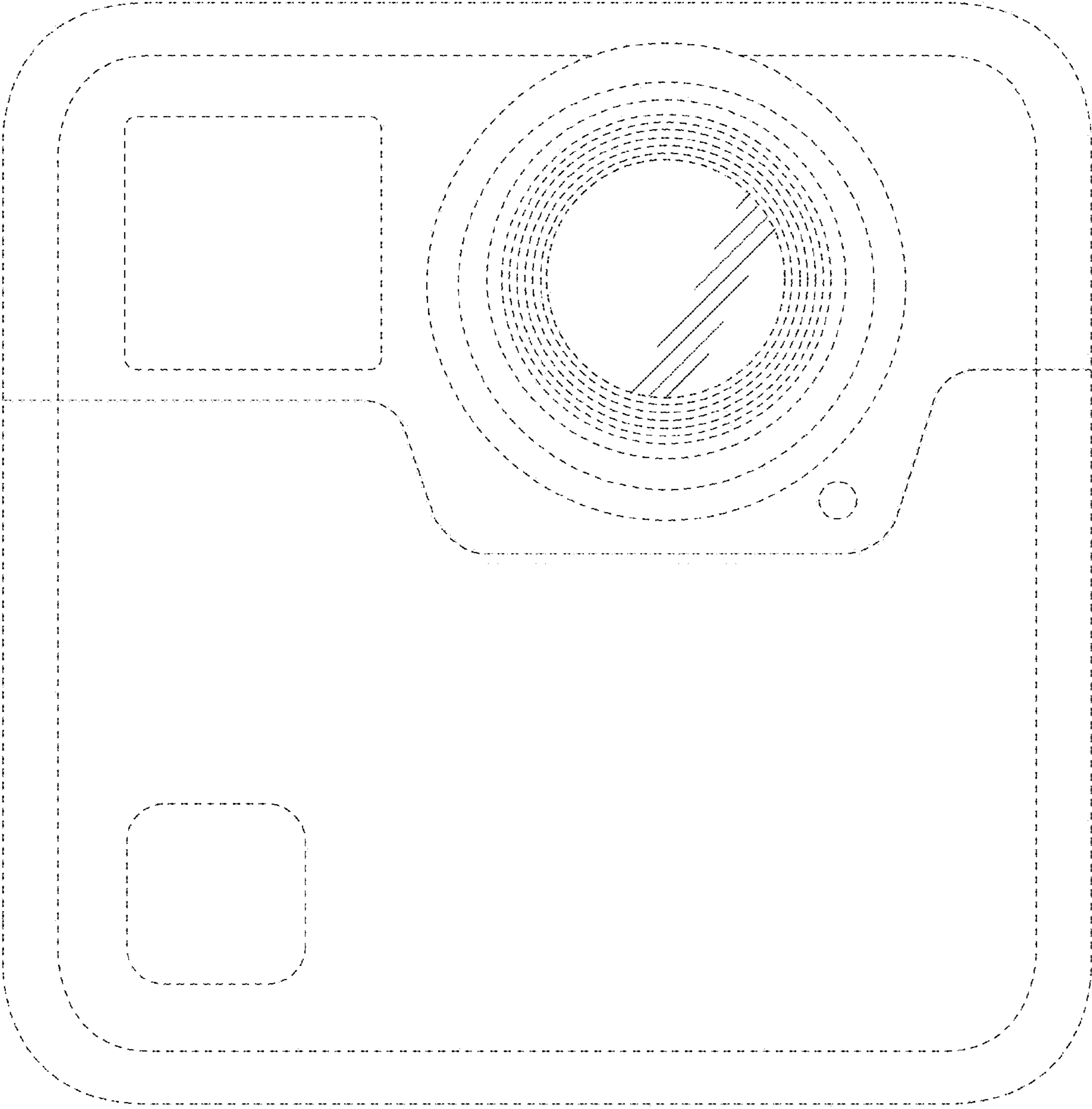


FIG. 2

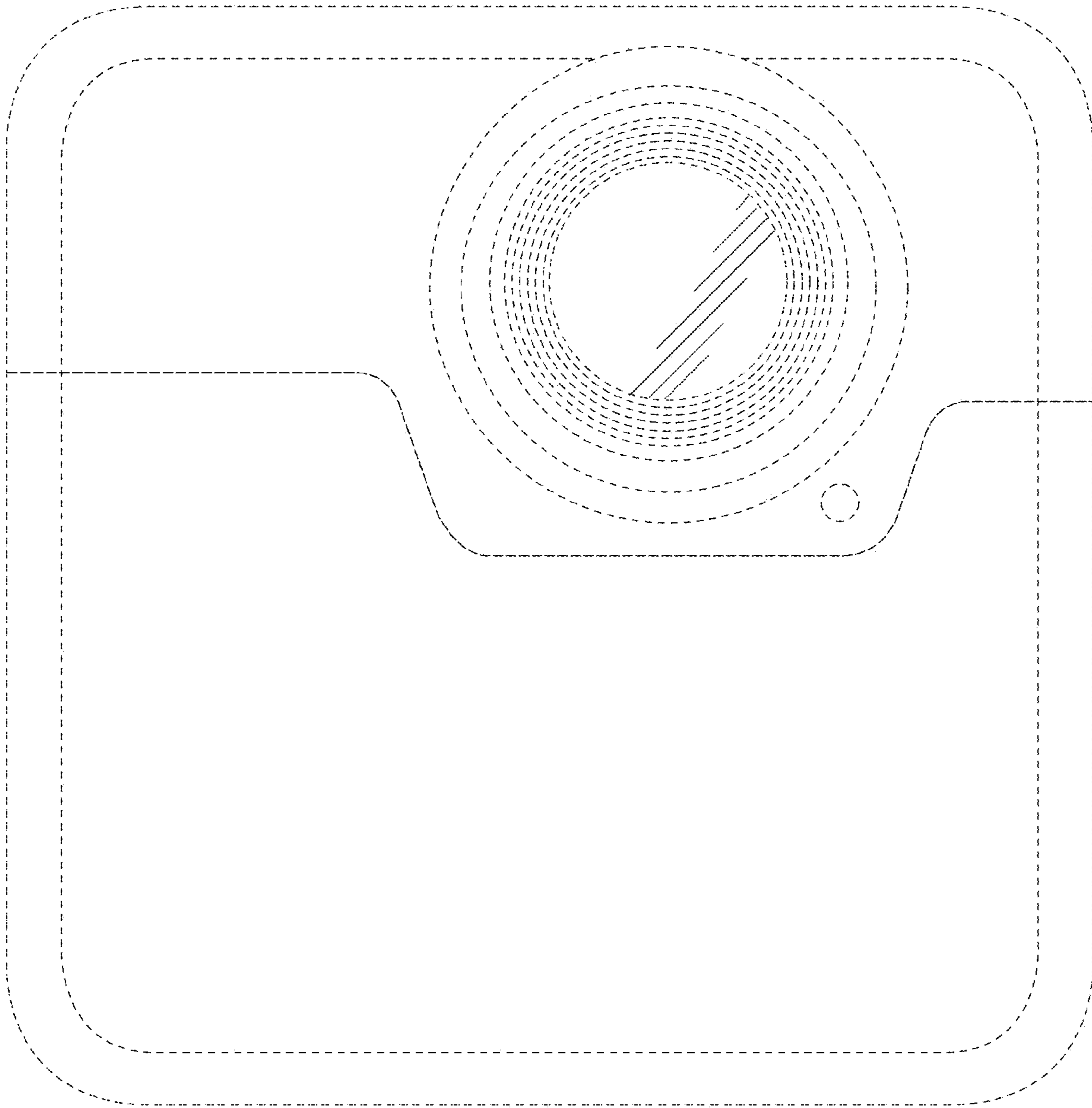


FIG. 3

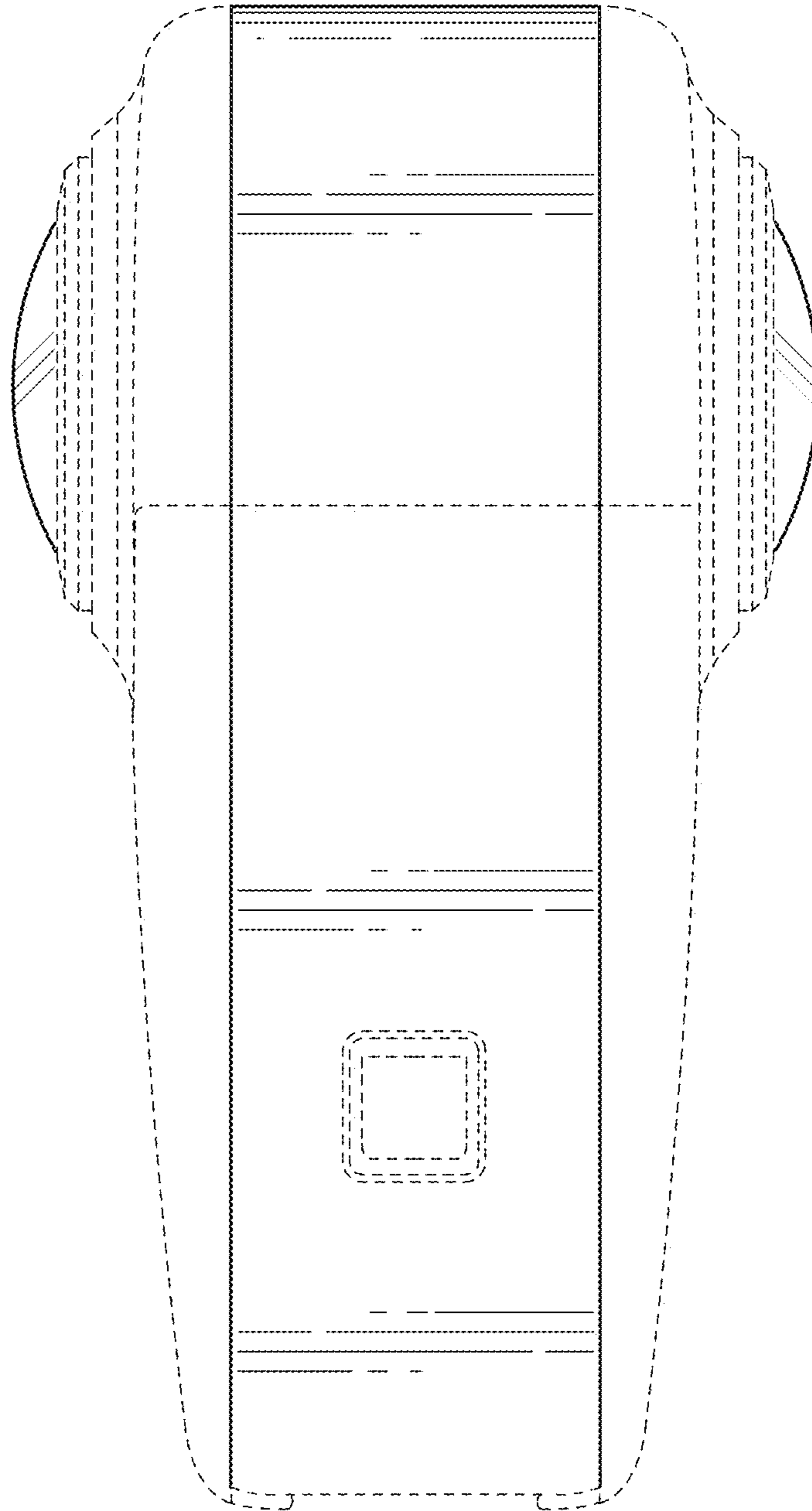


FIG. 4

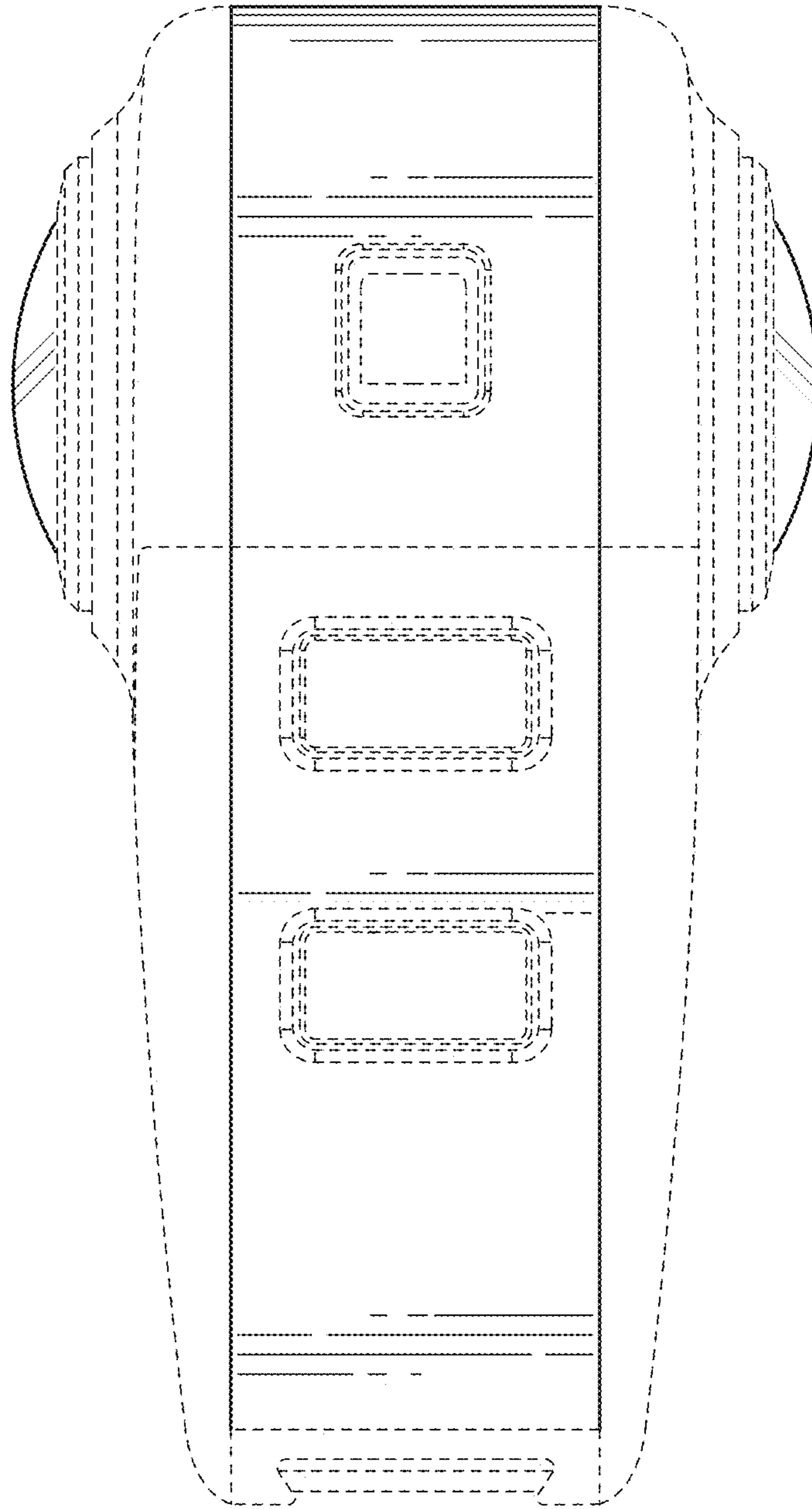


FIG. 5

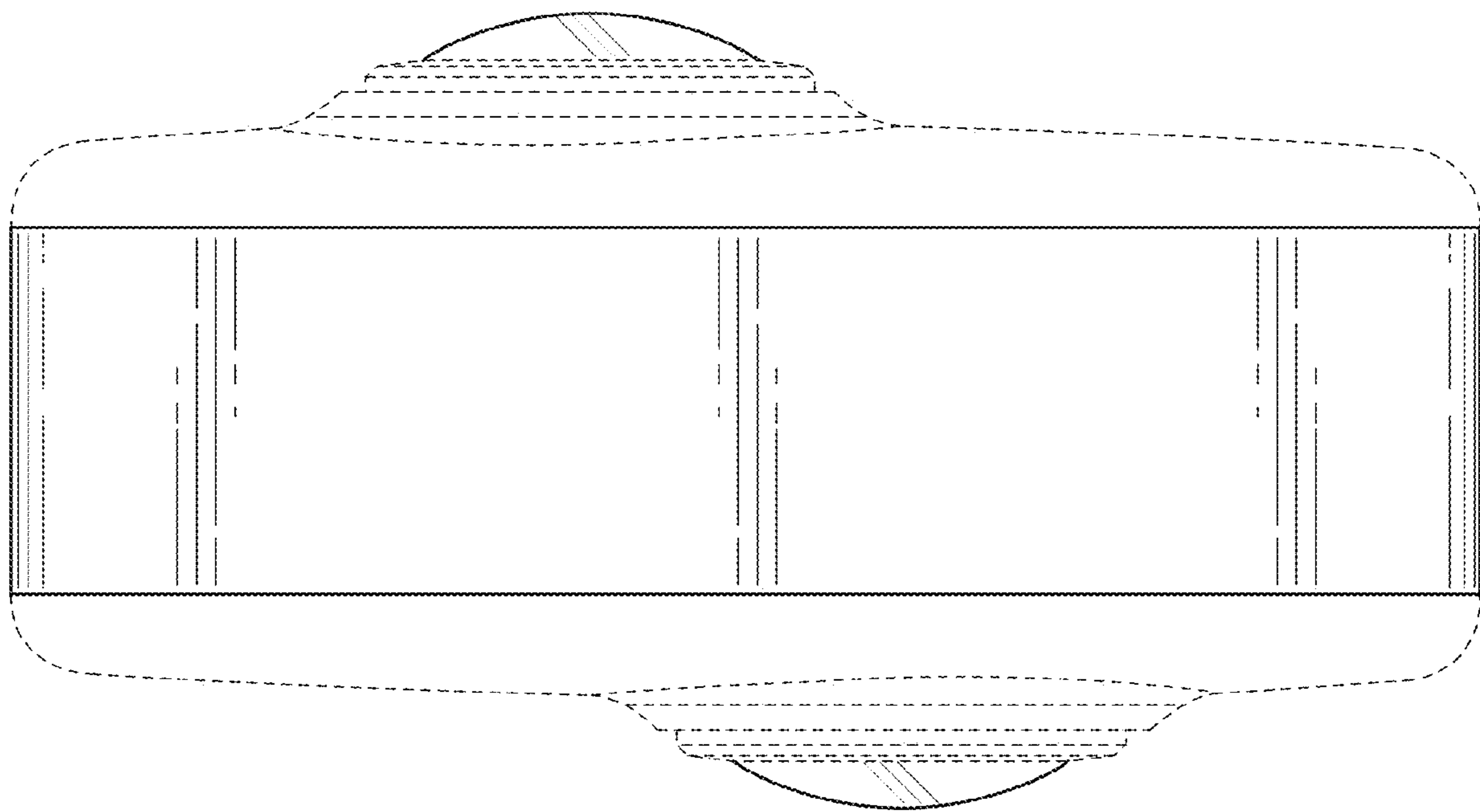


FIG. 6

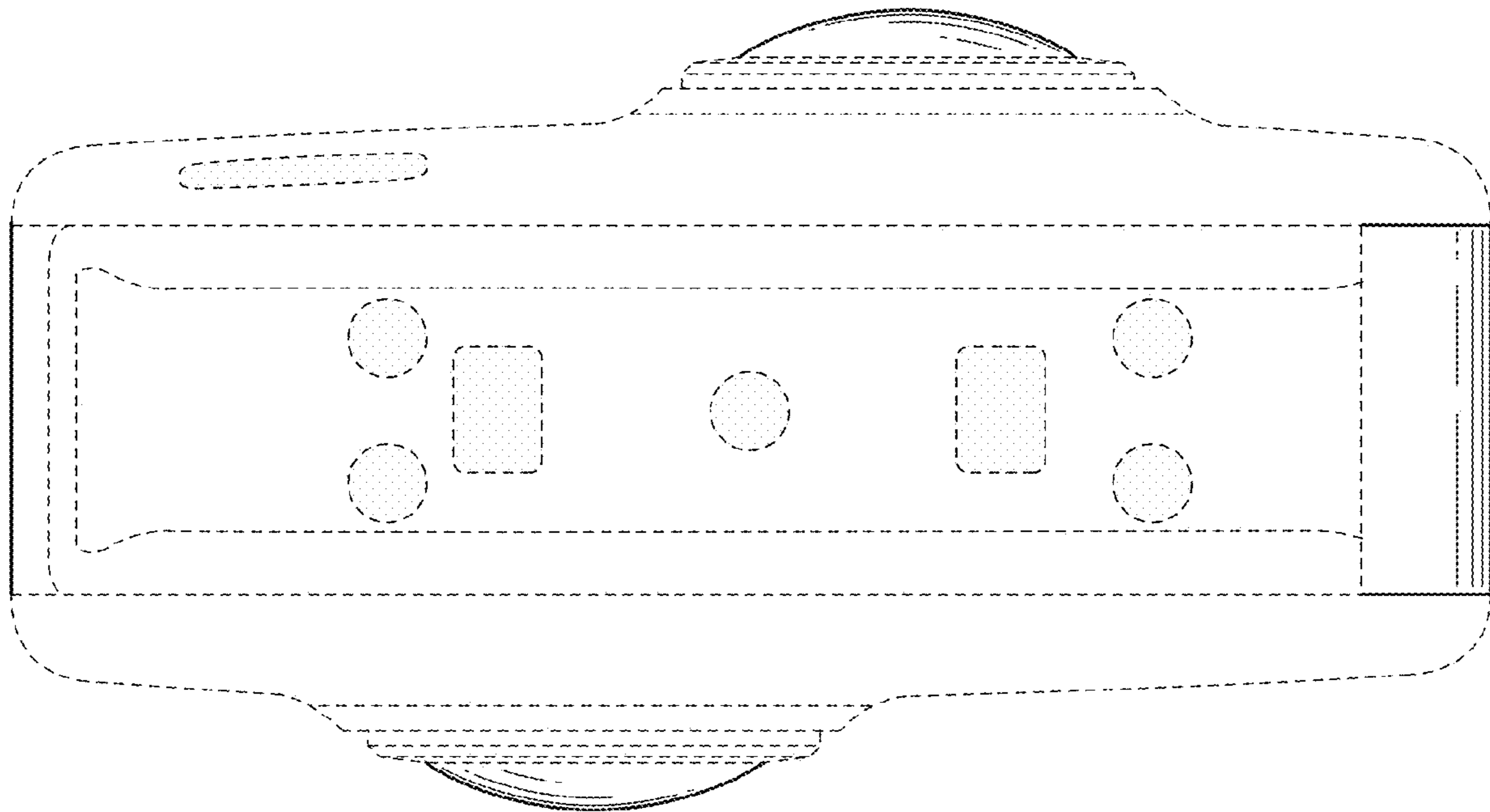


FIG. 7