



US00D868872S

(12) **United States Design Patent** (10) **Patent No.:** **US D868,872 S**
Luo et al. (45) **Date of Patent:** **** Dec. 3, 2019**

(54) **CAMERA COVER**
(71) Applicant: **Apeman International Co., Ltd.**,
Shenzhen (CN)
(72) Inventors: **Tingyuan Luo**, Xinfeng (CN); **Di Zhang**, Heilongjiang (CN)
(**) Term: **15 Years**
(21) Appl. No.: **29/611,558**
(22) Filed: **Jul. 22, 2017**
(51) **LOC (12) Cl.** **16-05**
(52) **U.S. Cl.**
USPC **D16/219**; D16/218
(58) **Field of Classification Search**
USPC D16/200, 202–206, 218, 219, 242;
348/143, 148, 151, 155, 164, 373–376;
396/419, 427, 535, 539–541
CPC G03B 17/02; G03B 19/04; G03B 17/56;
G03B 17/04; G03B 15/03; H04N 5/2251;
H04N 5/2252; H04N 5/2253; H04N
5/2254; H04N 7/181; H04N 7/183; H04N
7/18; G08B 13/1963; G08B 13/19619;
G08B 13/19632; G08B 13/19602; G08B
13/19634; F16M 11/04; F16M 13/00
See application file for complete search history.

D616,009 S * 5/2010 Schnell D16/218
D628,224 S * 11/2010 Barley D16/203
D653,276 S * 1/2012 Schnell D16/218
D655,735 S * 3/2012 Barley D16/203
D655,736 S * 3/2012 Barley D16/203
D671,584 S * 11/2012 Ohno D16/202
D673,991 S * 1/2013 Schnell D16/218
D674,833 S * 1/2013 Cuddeback D16/203
D691,647 S * 10/2013 Ye D16/203
D721,116 S * 1/2015 Schnell D16/218
D735,259 S * 7/2015 Vermaak D16/218

* cited by examiner

Primary Examiner — Ramzi S Almatrahi
(74) *Attorney, Agent, or Firm* — Zan IP LLC

(57) **CLAIM**

The ornamental design for a camera cover, as shown and described.

DESCRIPTION

FIG. 1 is a front elevation view of a camera cover;
FIG. 2 is a rear elevation view thereof;
FIG. 3 is a top plan view thereof;
FIG. 4 is a bottom plan view thereof;
FIG. 5 is a side elevation view thereof;
FIG. 6 is an opposite side elevation view thereof; and,
FIG. 7 is a front perspective view thereof.
The broken lines depict portions of the camera cover in which the design is embodied that form no part of the claimed design.

(56) **References Cited**
U.S. PATENT DOCUMENTS
7,471,334 B1 * 12/2008 Stenger G03B 29/00
348/143
7,534,056 B2 * 5/2009 Cross F16M 11/10
348/143

1 Claim, 7 Drawing Sheets

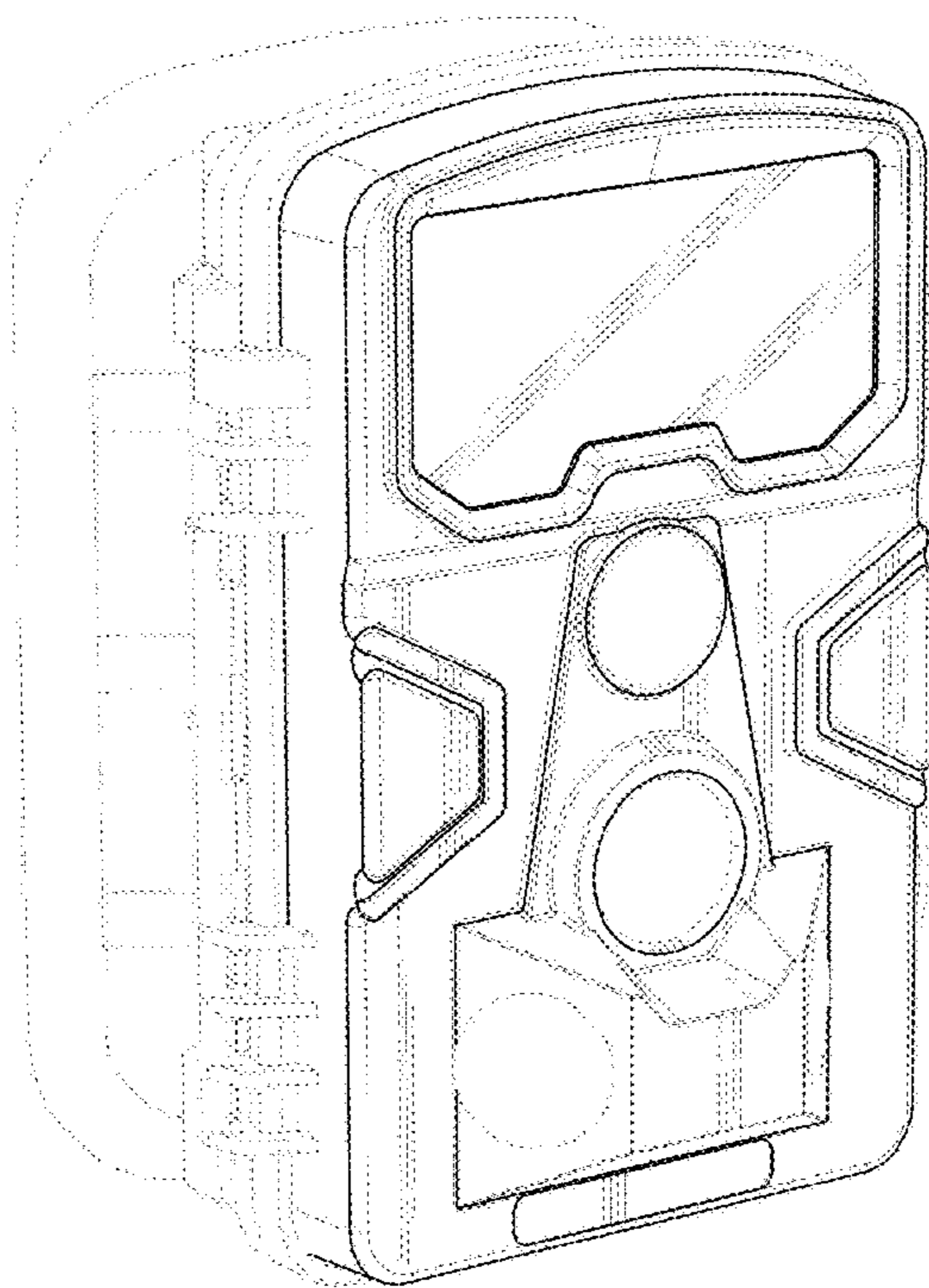


FIG. 1

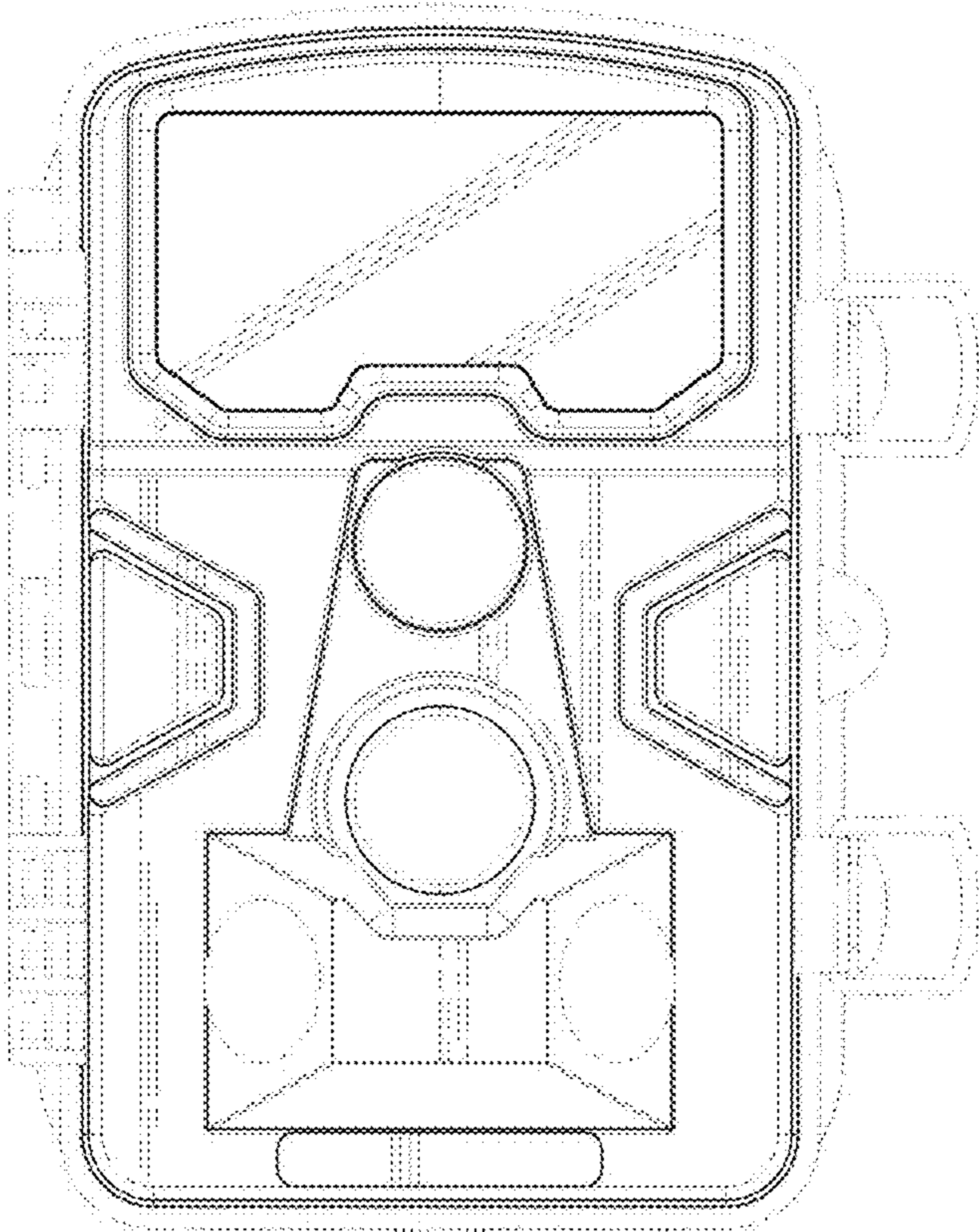


FIG. 2

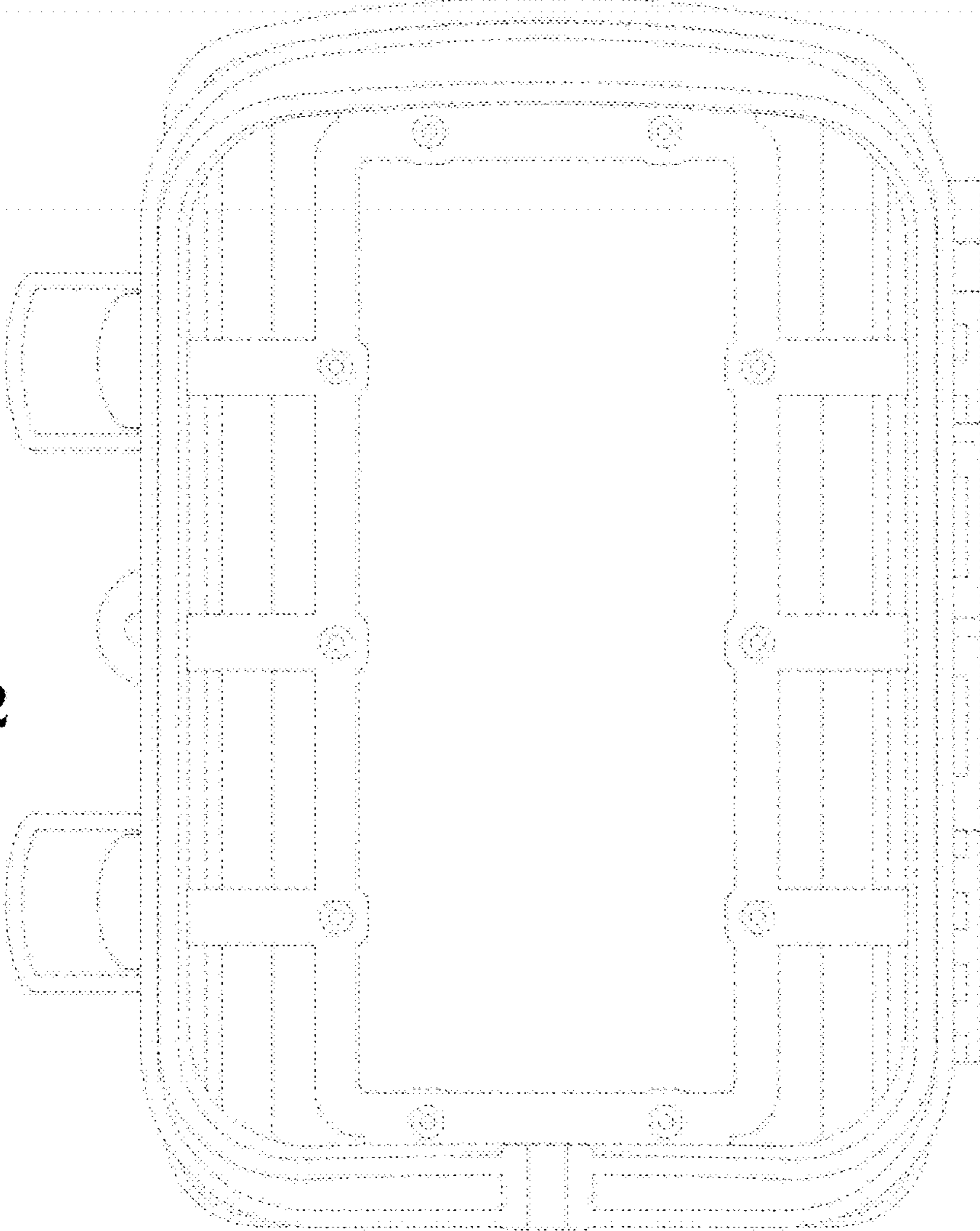
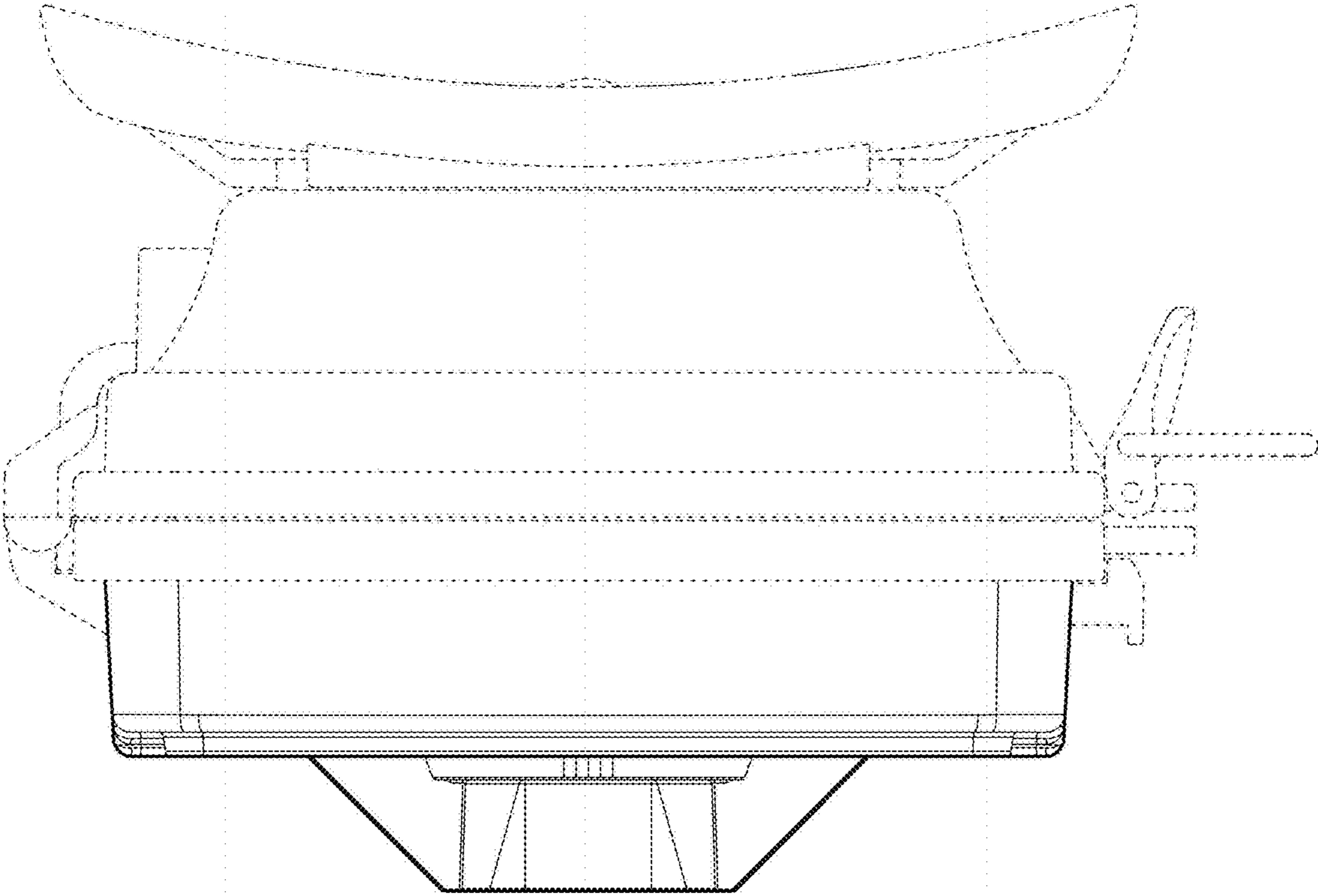


FIG. 3



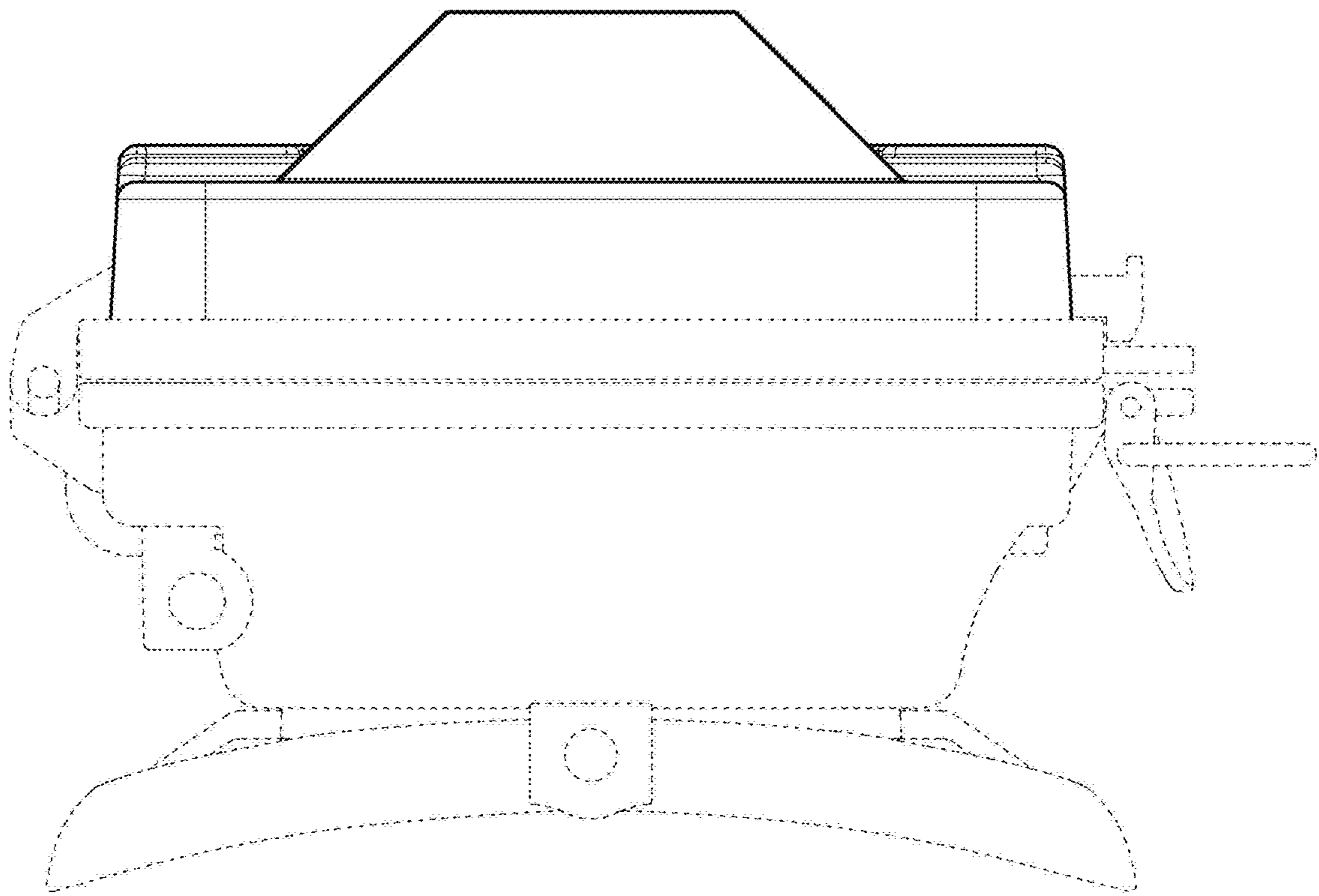


FIG. 4

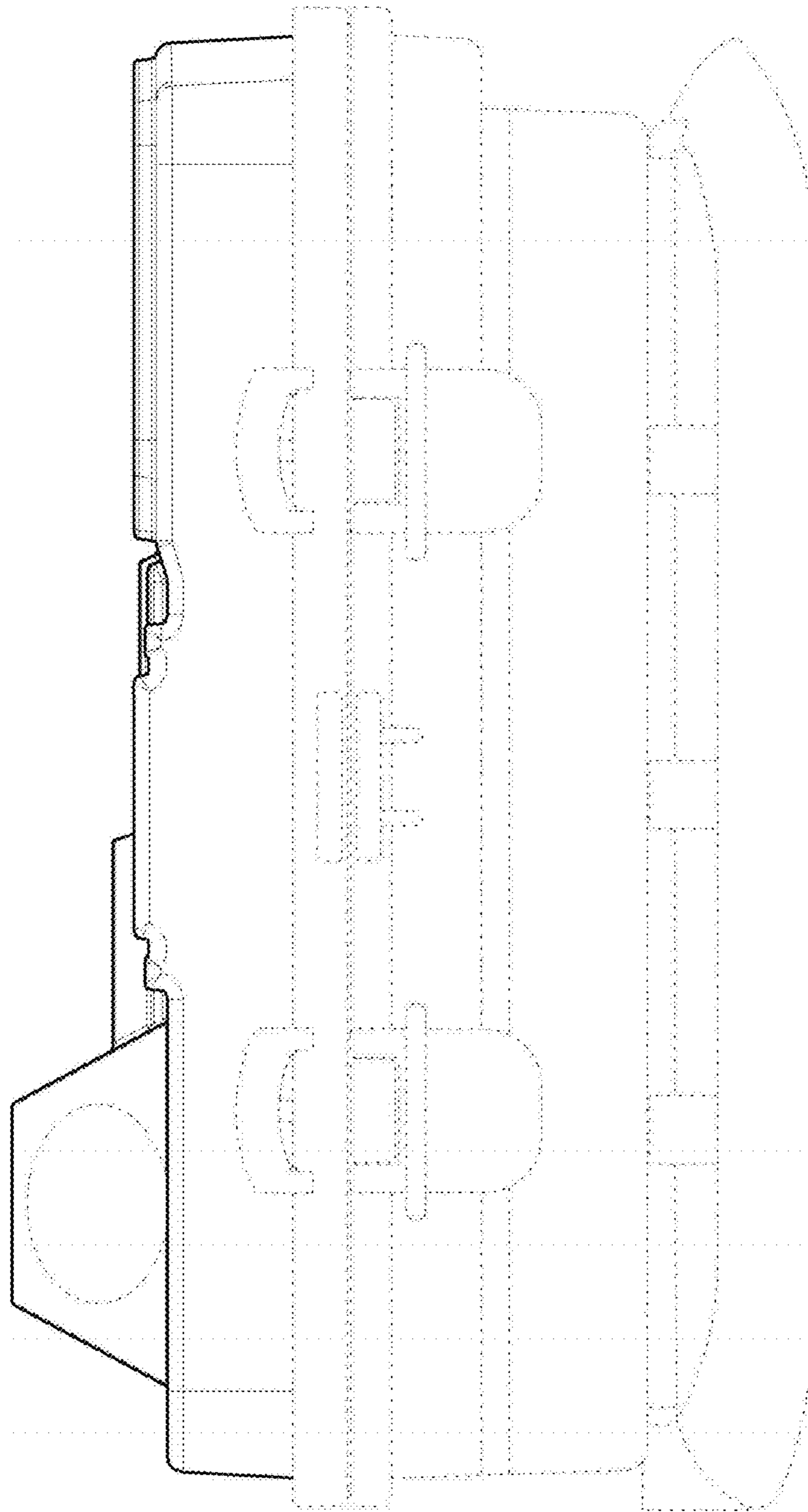


FIG. 5

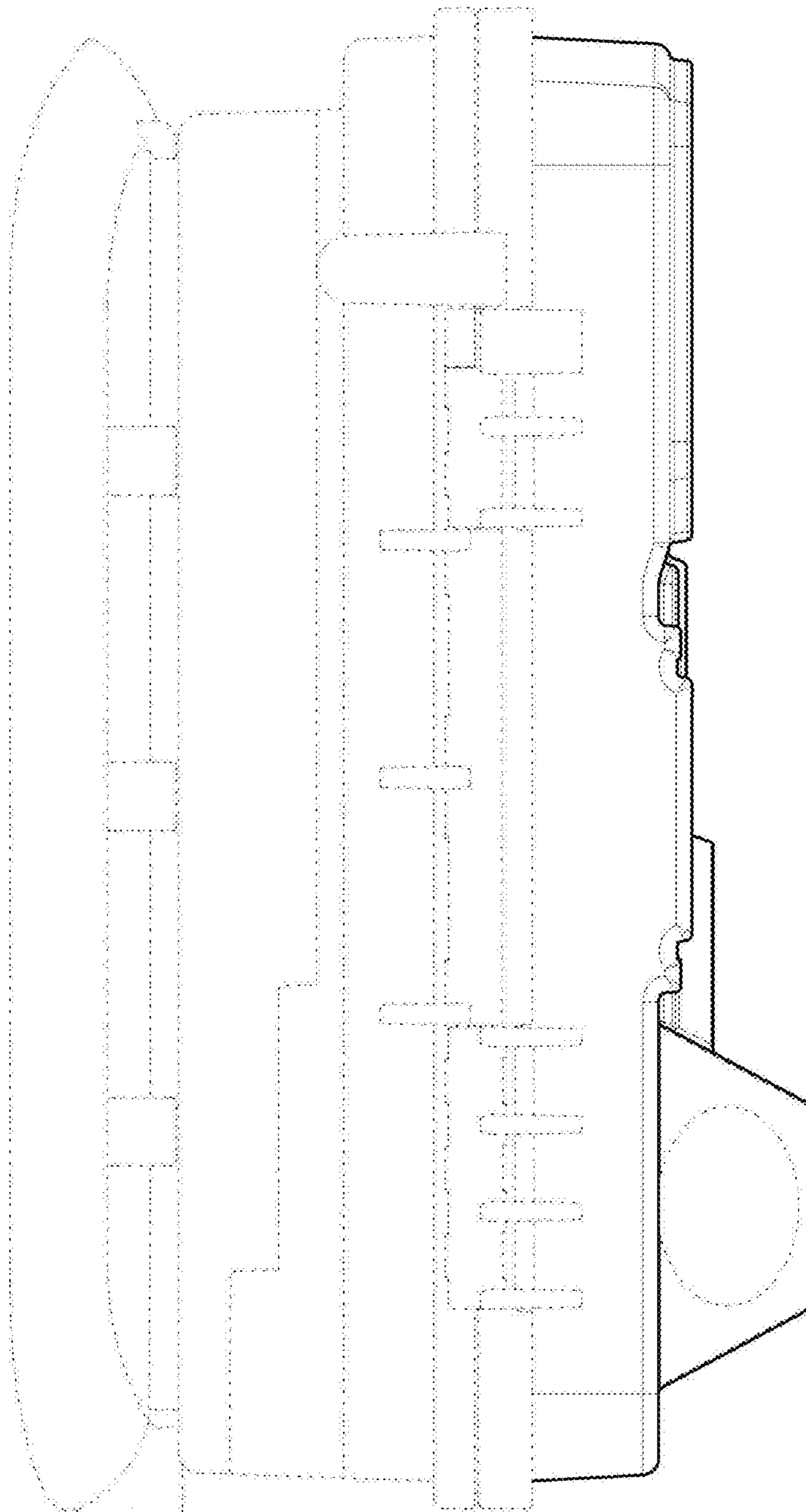


FIG. 6

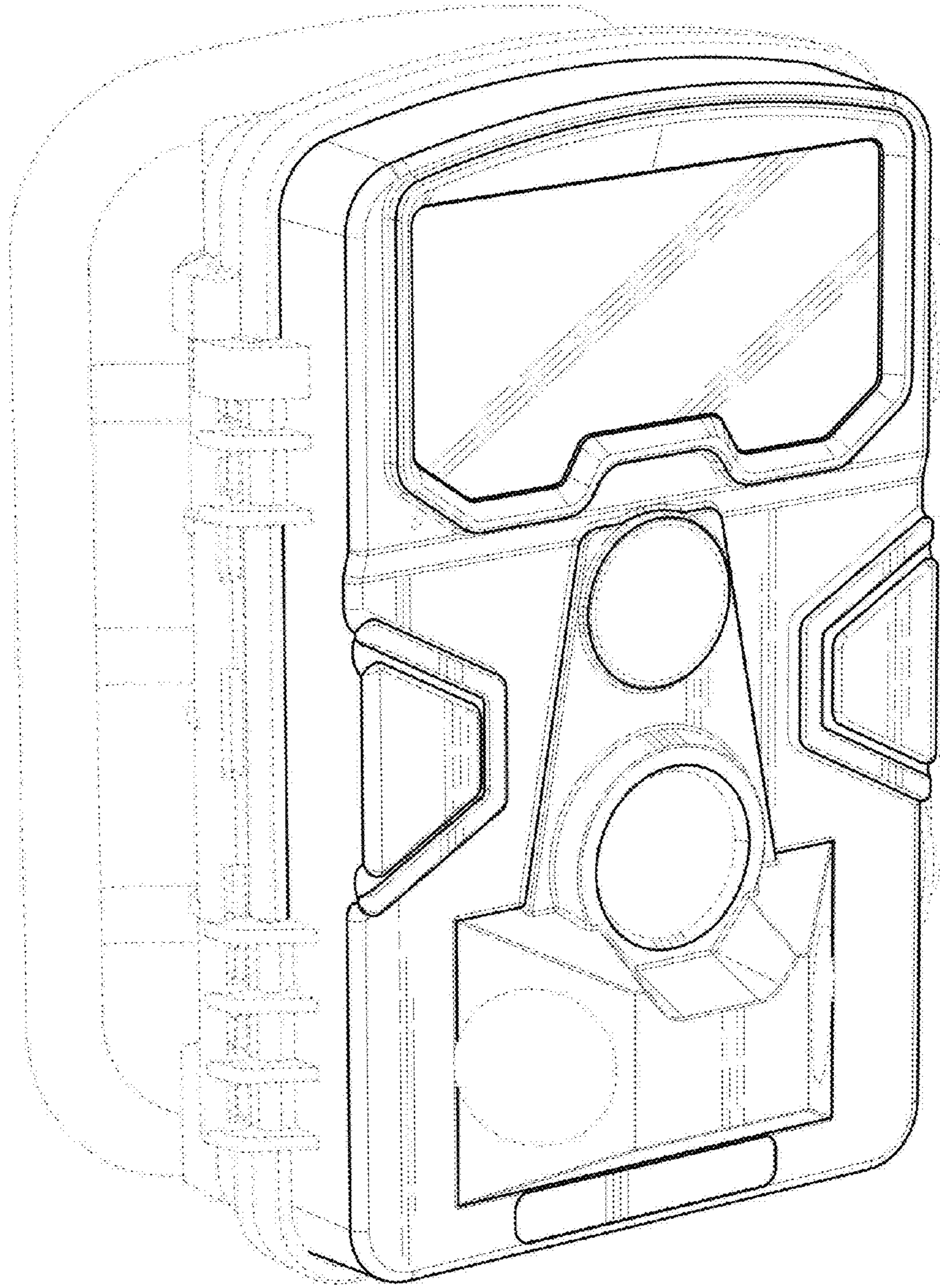


FIG. 7