



US00D868871S

(12) **United States Design Patent** (10) **Patent No.:** **US D868,871 S**
Nguyen et al. (45) **Date of Patent:** **** Dec. 3, 2019**

(54) **CAMERA**

(71) Applicant: **GoPro, Inc.**, San Mateo, CA (US)

(72) Inventors: **Huy Phuong Nguyen**, San Mateo, CA (US); **Richard Gioscia**, Santa Clara, CA (US); **Quinn Jerome Odette Fitzgerald**, San Francisco, CA (US); **William Duncan Webb, II**, San Francisco, CA (US)

(73) Assignee: **GoPro, Inc.**, San Mateo, CA (US)

(**) Term: **15 Years**

(21) Appl. No.: **29/674,050**

(22) Filed: **Dec. 19, 2018**

Related U.S. Application Data

(60) Continuation of application No. 29/626,783, filed on Nov. 20, 2017, now Pat. No. Des. 840,463, which is a continuation of application No. 29/609,791, filed on Jul. 5, 2017, now Pat. No. Des. 806,775, which is a division of application No. 29/576,880, filed on Sep. 7, 2016, now Pat. No. Des. 794,696.

(51) **LOC (12) Cl.** **16-01**

(52) **U.S. Cl.**
USPC **D16/218**

(58) **Field of Classification Search**
USPC D16/200, 202–206, 208–209, 212, 218, D16/219; 348/373–376; 396/448, 535, 396/539–541
CPC G03B 15/03; G03B 17/02; G03B 17/04; G03B 17/56; G03B 19/04; H04N 5/2251; H04N 5/2252; H04N 5/2253; H04N 5/2254; H04N 2101/00

See application file for complete search history.

(56) **References Cited**

U.S. PATENT DOCUMENTS

8,014,656 B2	9/2011	Woodman	
D647,554 S	10/2011	Yim	
8,544,643 B2	10/2013	Yim	
D710,922 S	8/2014	Gioscia	
D721,395 S	1/2015	Woodman	
D725,169 S	3/2015	Gioscia	
D732,593 S	6/2015	Woodman	
D737,879 S	9/2015	Woodman	
D739,451 S	9/2015	Gioscia	
D740,868 S *	10/2015	Gioscia	D16/200
D742,952 S	11/2015	Nakajima	
D750,146 S	2/2016	Costa	
D750,680 S	3/2016	Chen	

(Continued)

Primary Examiner — Ramzi S Almatrahi

(74) *Attorney, Agent, or Firm* — Young Basile Hanlon & MacFarlane, P.C.

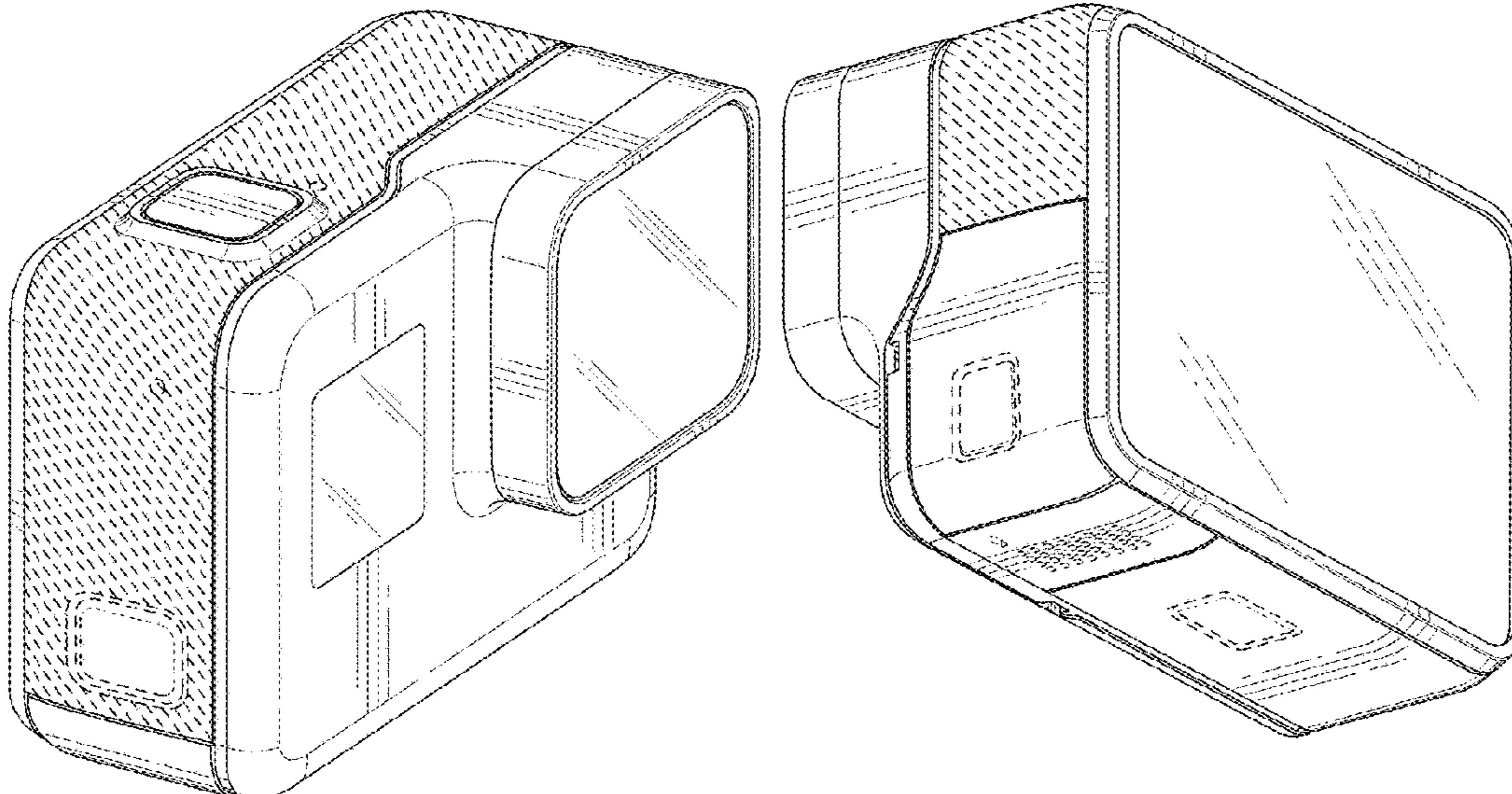
(57) **CLAIM**

The ornamental design for a camera, as shown and described.

DESCRIPTION

FIG. 1 is a front, top, and left side perspective view of a camera showing our new design;
FIG. 2 is a rear, bottom, and right side perspective view thereof;
FIG. 3 is a front, top, and right side perspective view thereof;
FIG. 4 is a rear, bottom, and left side perspective view thereof;
FIG. 5 is a front elevational view thereof;
FIG. 6 is a rear elevational view thereof;
FIG. 7 is a left side elevational view thereof;
FIG. 8 is a right side elevational view thereof;
FIG. 9 is a top plan view thereof; and,
FIG. 10 is a bottom plan view thereof.
The broken lines in the drawings showing portions of the camera form no part of the claimed design.

1 Claim, 10 Drawing Sheets



(56)

References Cited

U.S. PATENT DOCUMENTS

D750,686 S 3/2016 Chen
 D751,131 S 3/2016 Woodman
 D753,749 S 4/2016 Zhu
 D755,270 S 5/2016 Vehlewald
 D755,874 S 5/2016 Yang
 D758,467 S 6/2016 Zhang
 D760,309 S 6/2016 Parfitt
 D766,351 S 9/2016 Li
 D769,346 S 10/2016 Nguyen
 D772,966 S 11/2016 Song
 D773,546 S 12/2016 Nguyen
 D775,254 S 12/2016 Parfitt
 D776,741 S 1/2017 Parfitt
 D780,244 S 2/2017 Dahu
 D785,692 S 5/2017 Wang
 D789,435 S 6/2017 Nguyen
 D790,001 S 6/2017 Parfitt
 D790,002 S 6/2017 Nguyen

D791,211 S 7/2017 Fujita
 D793,463 S * 8/2017 Houin D16/202
 D800,202 S 10/2017 Hu
 D800,819 S 10/2017 Casarez
 D803,925 S * 11/2017 Hoshi D16/218
 D805,117 S 12/2017 Gioscia
 D805,569 S 12/2017 Daugela
 D816,753 S 5/2018 Zhang
 D818,029 S 5/2018 Hiroyuki
 D820,335 S 6/2018 Fave
 D821,480 S 6/2018 Gioscia
 D821,481 S 6/2018 Gioscia
 D829,260 S * 9/2018 Fujita D16/218
 D832,905 S * 11/2018 Liu D16/202
 D833,505 S * 11/2018 Hu D16/218
 D835,172 S * 12/2018 Fujita D16/219
 D836,696 S * 12/2018 Zhang D16/202
 D837,865 S * 1/2019 Parfitt D16/219
 D839,335 S * 1/2019 Zhang D16/202
 2016/0209731 A1 7/2016 Song

* cited by examiner

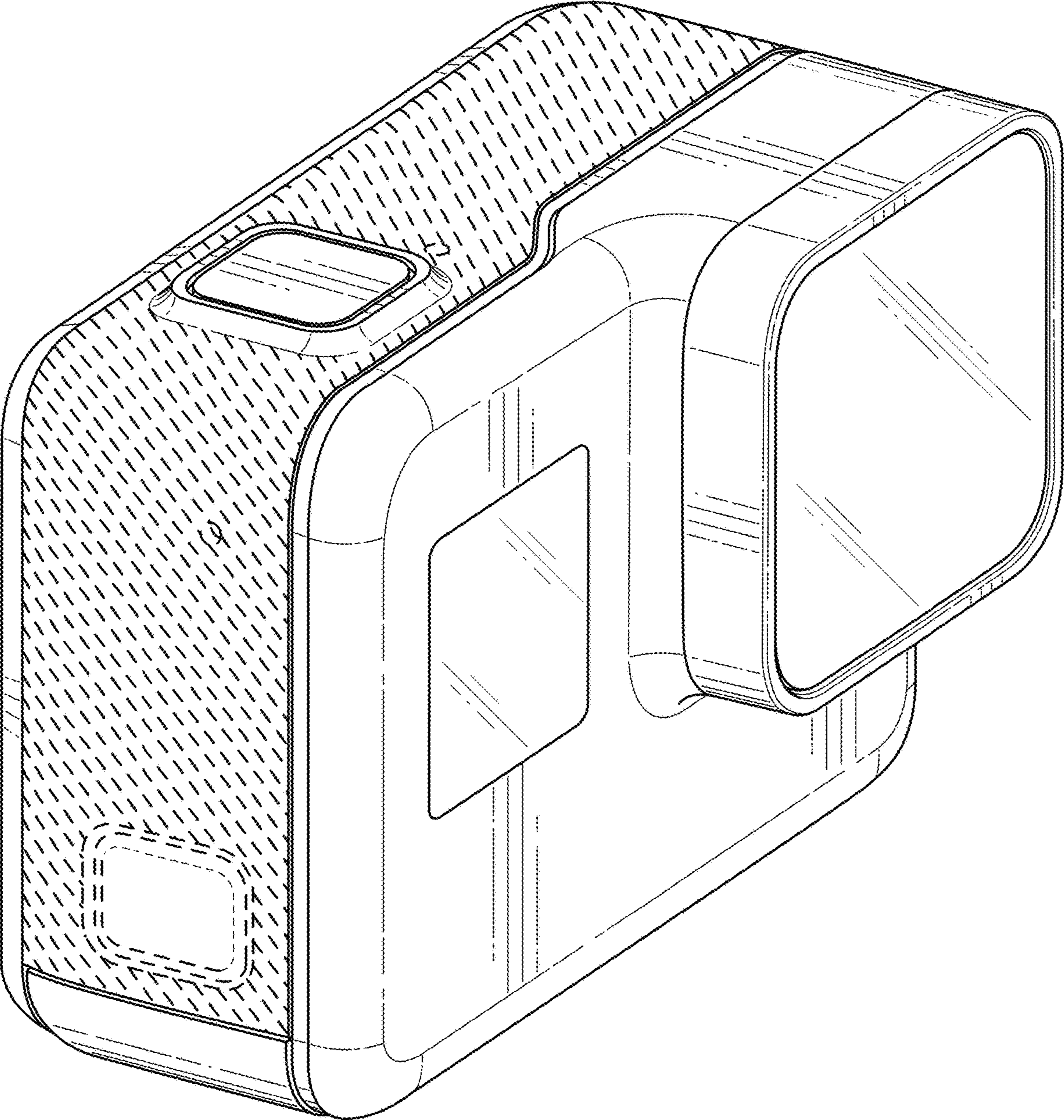


FIG. 1

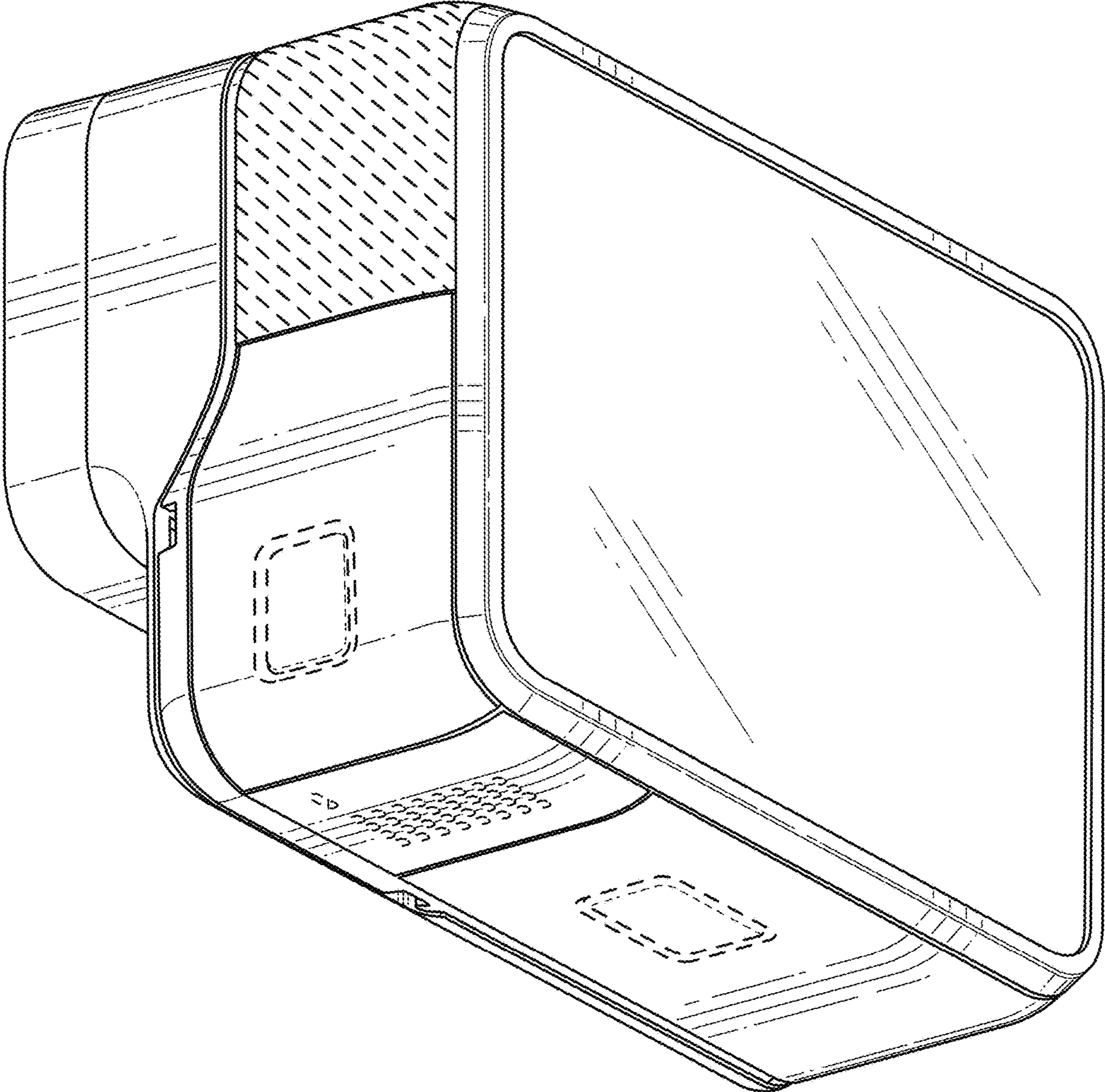


FIG. 2

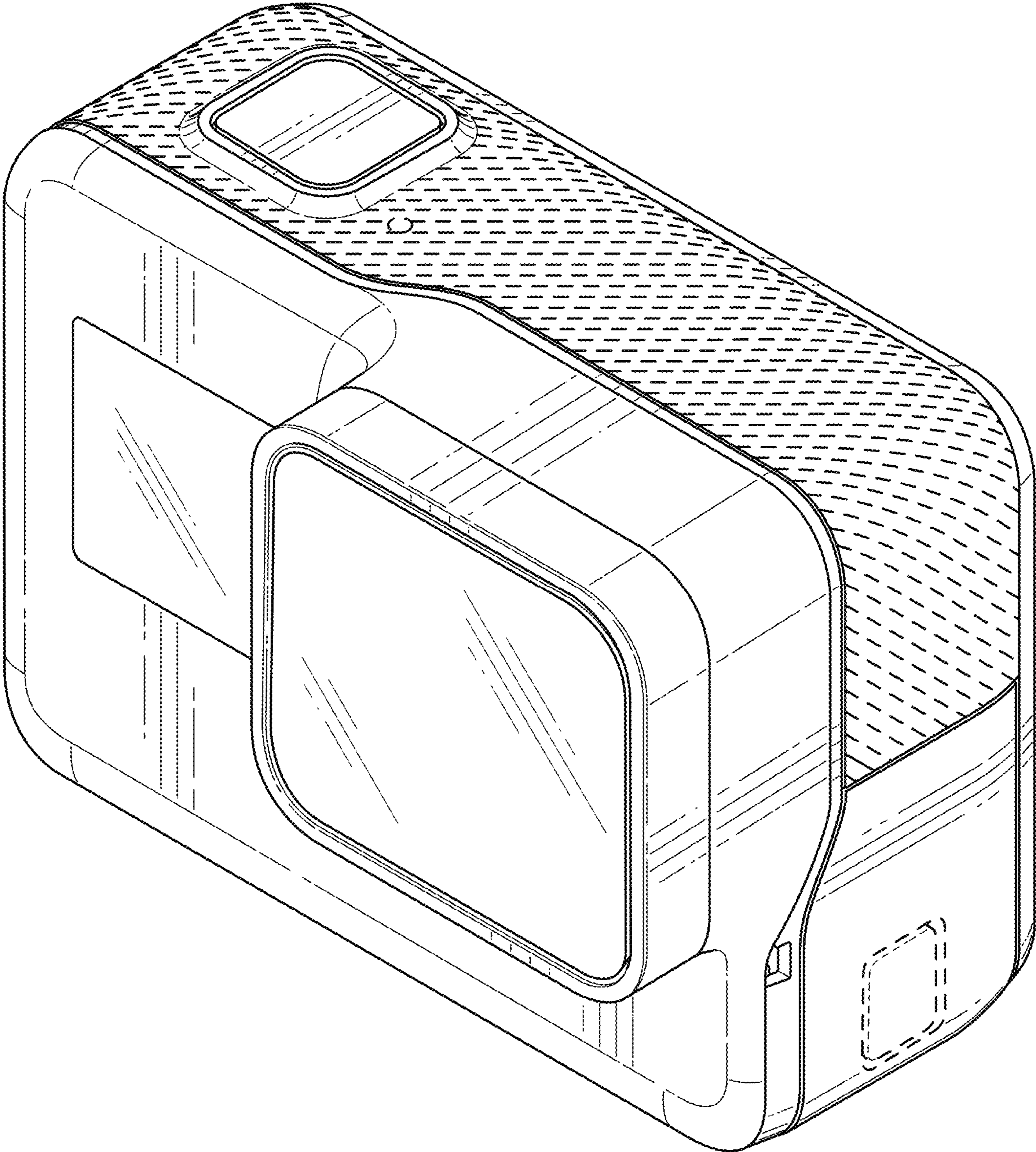


FIG. 3

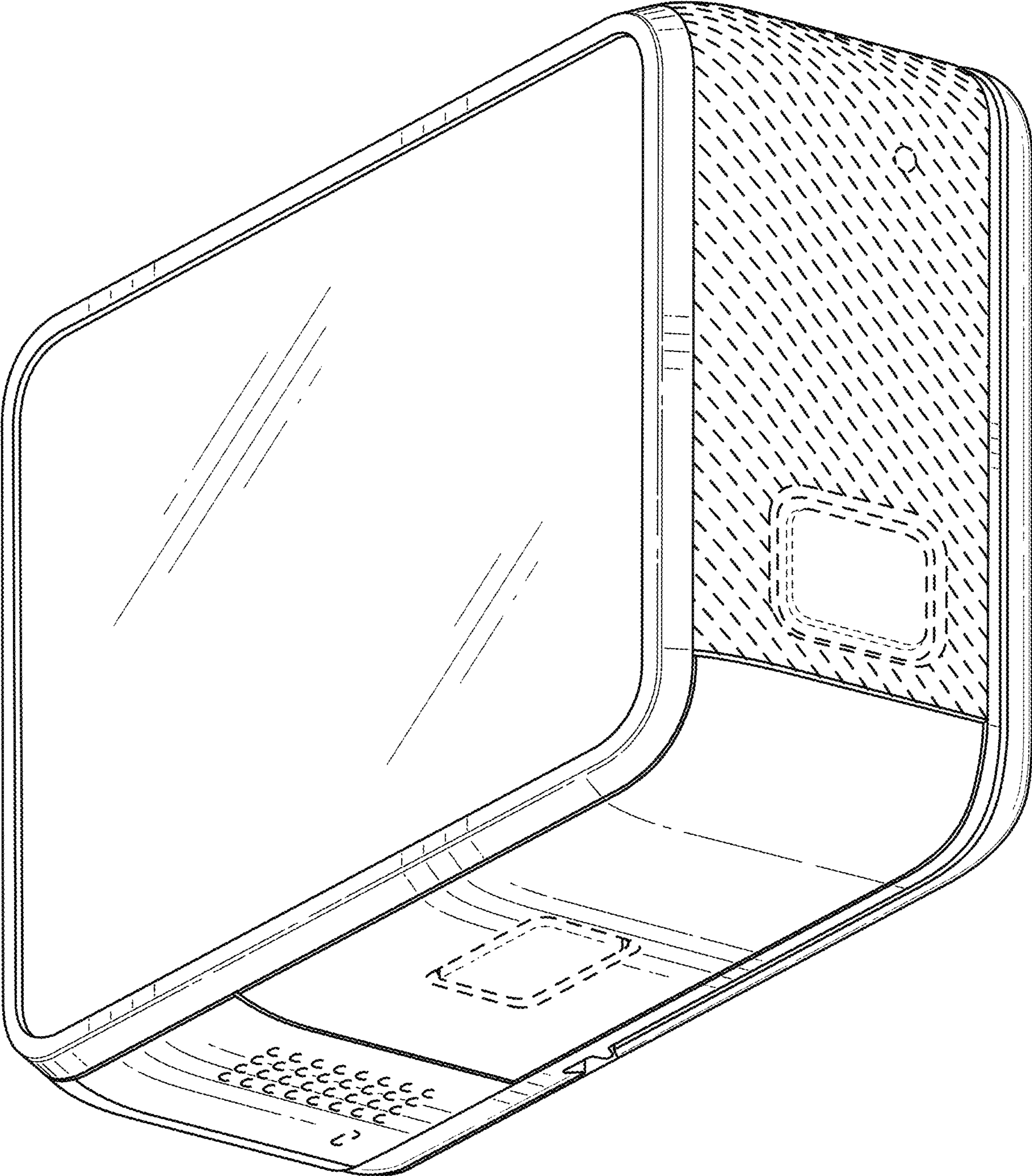


FIG. 4

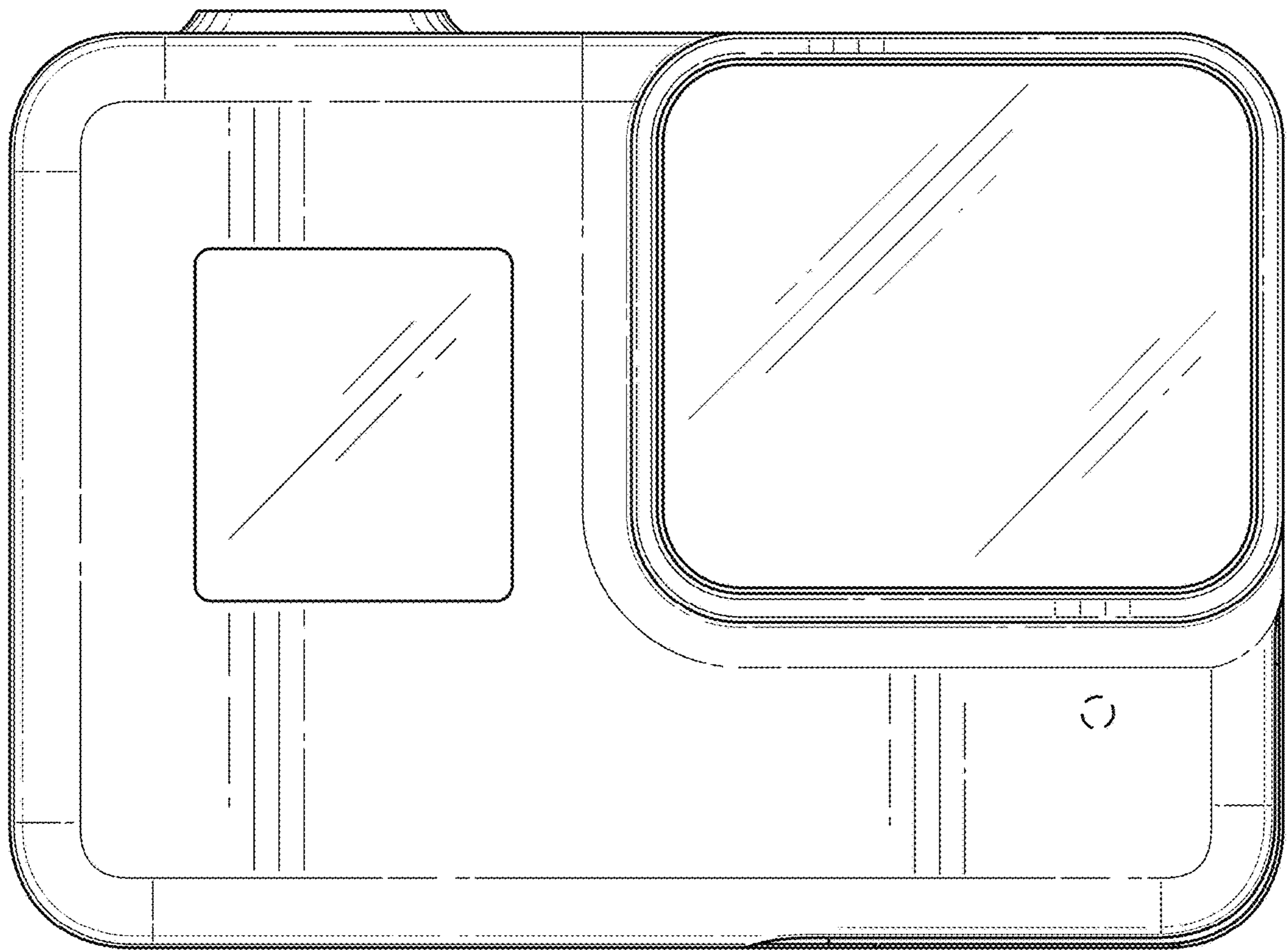


FIG. 5

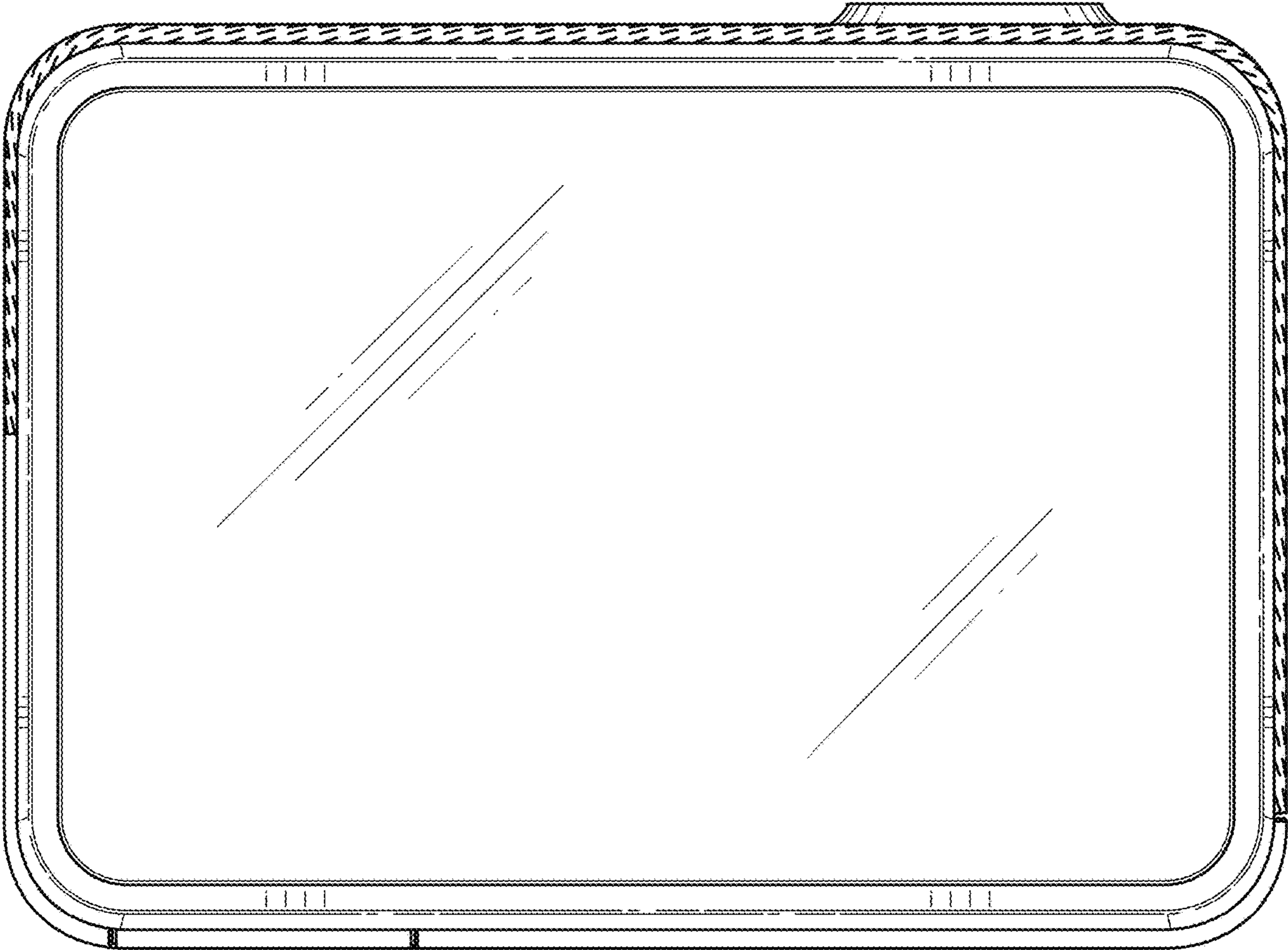


FIG. 6

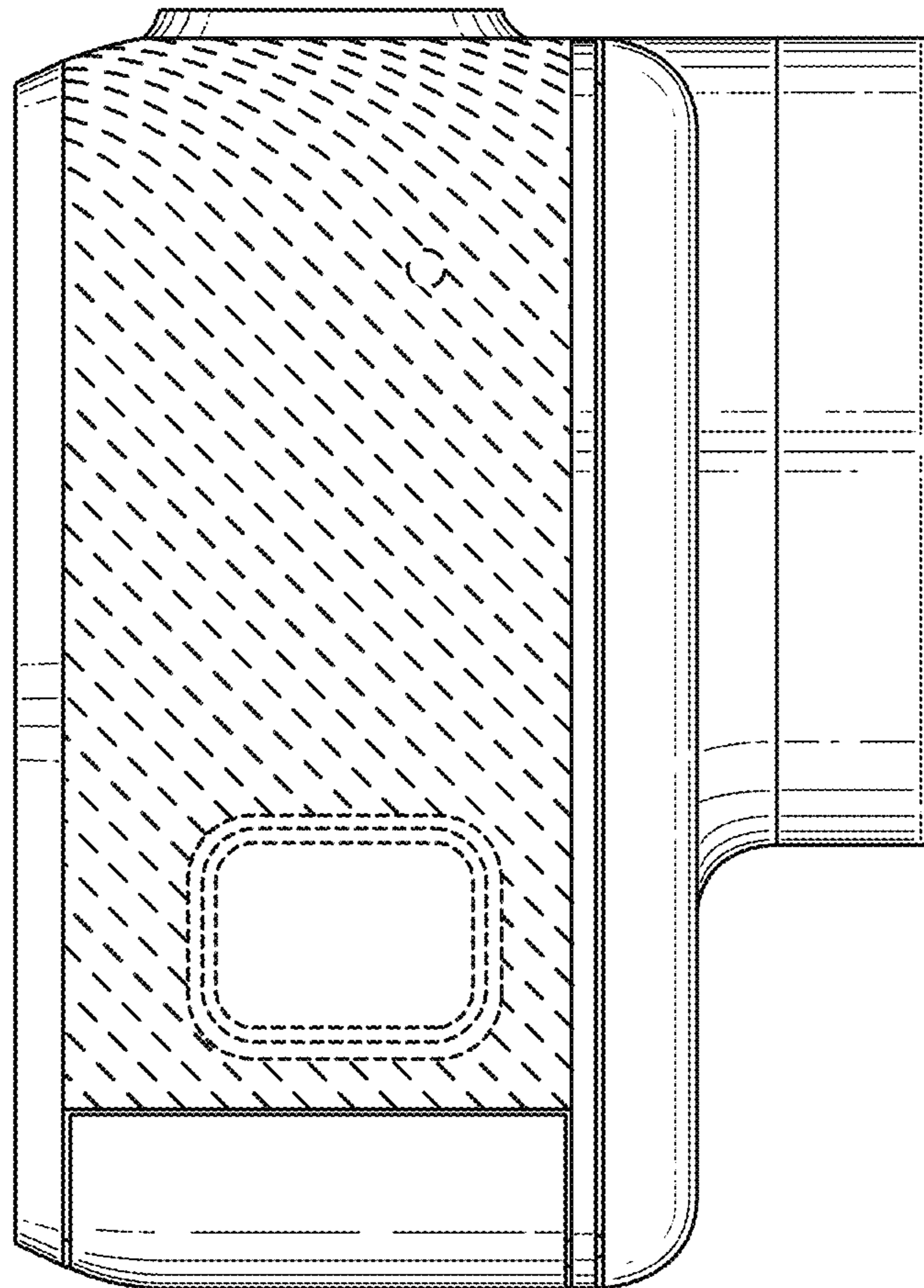


FIG. 7

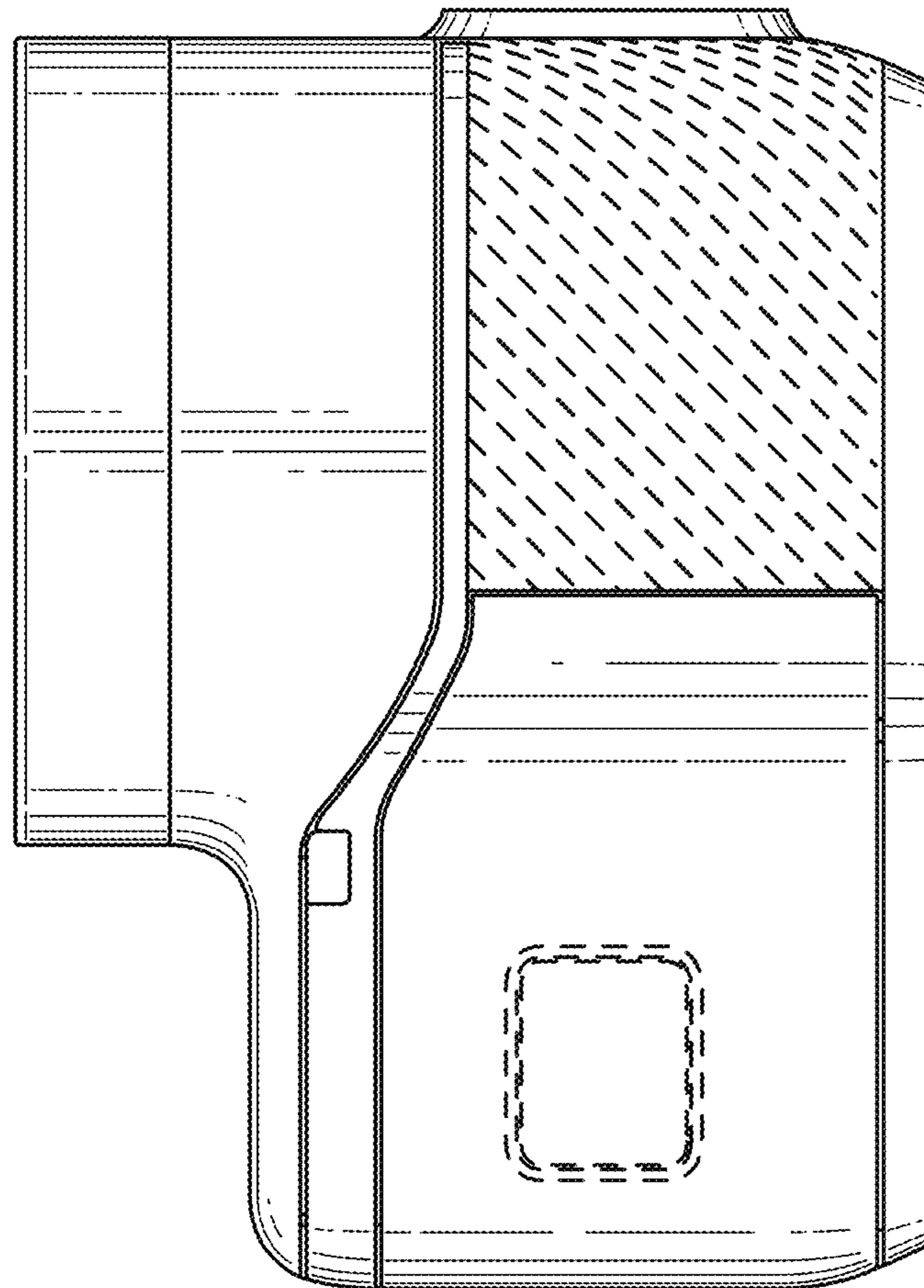


FIG. 8

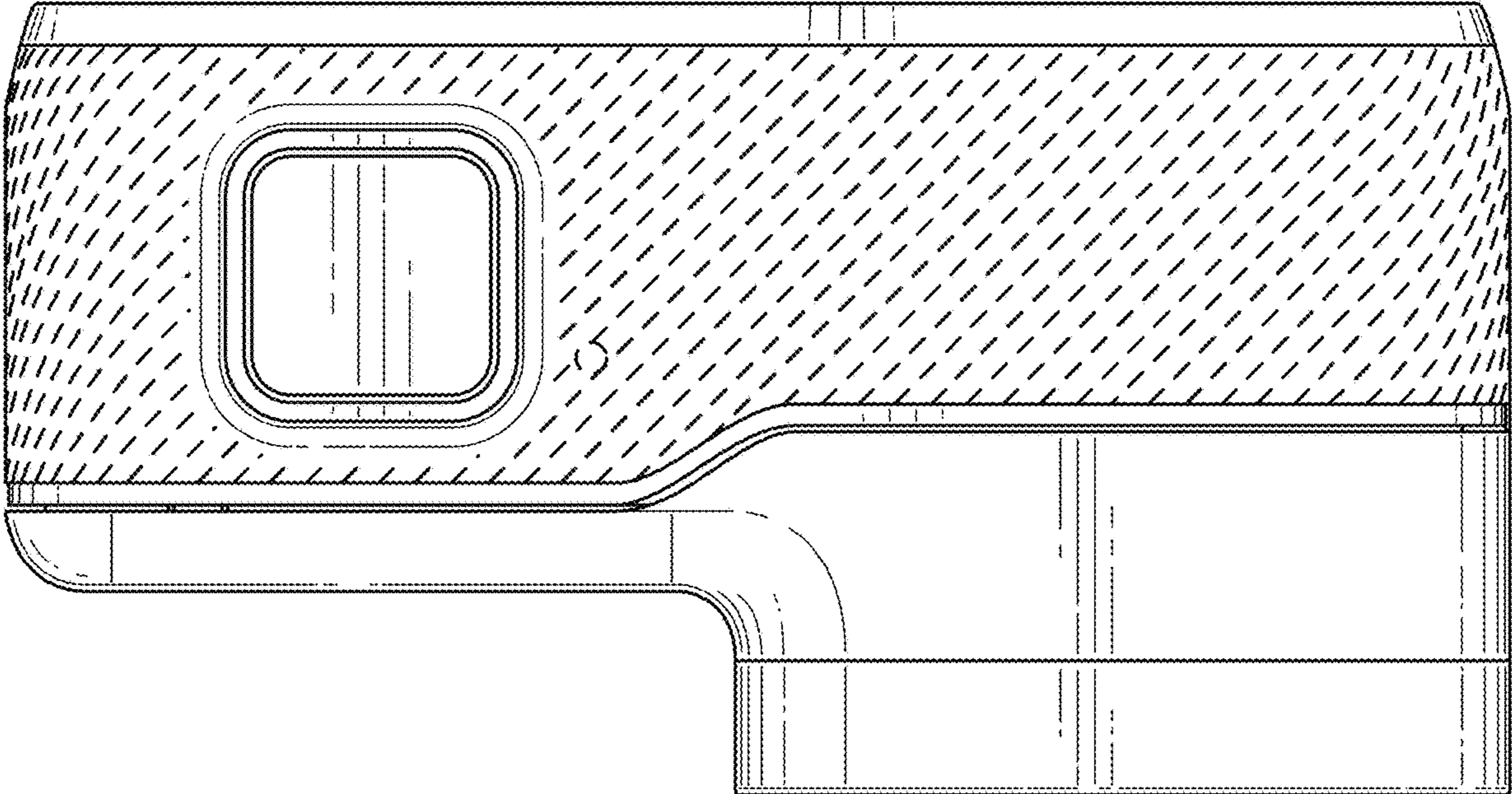


FIG. 9

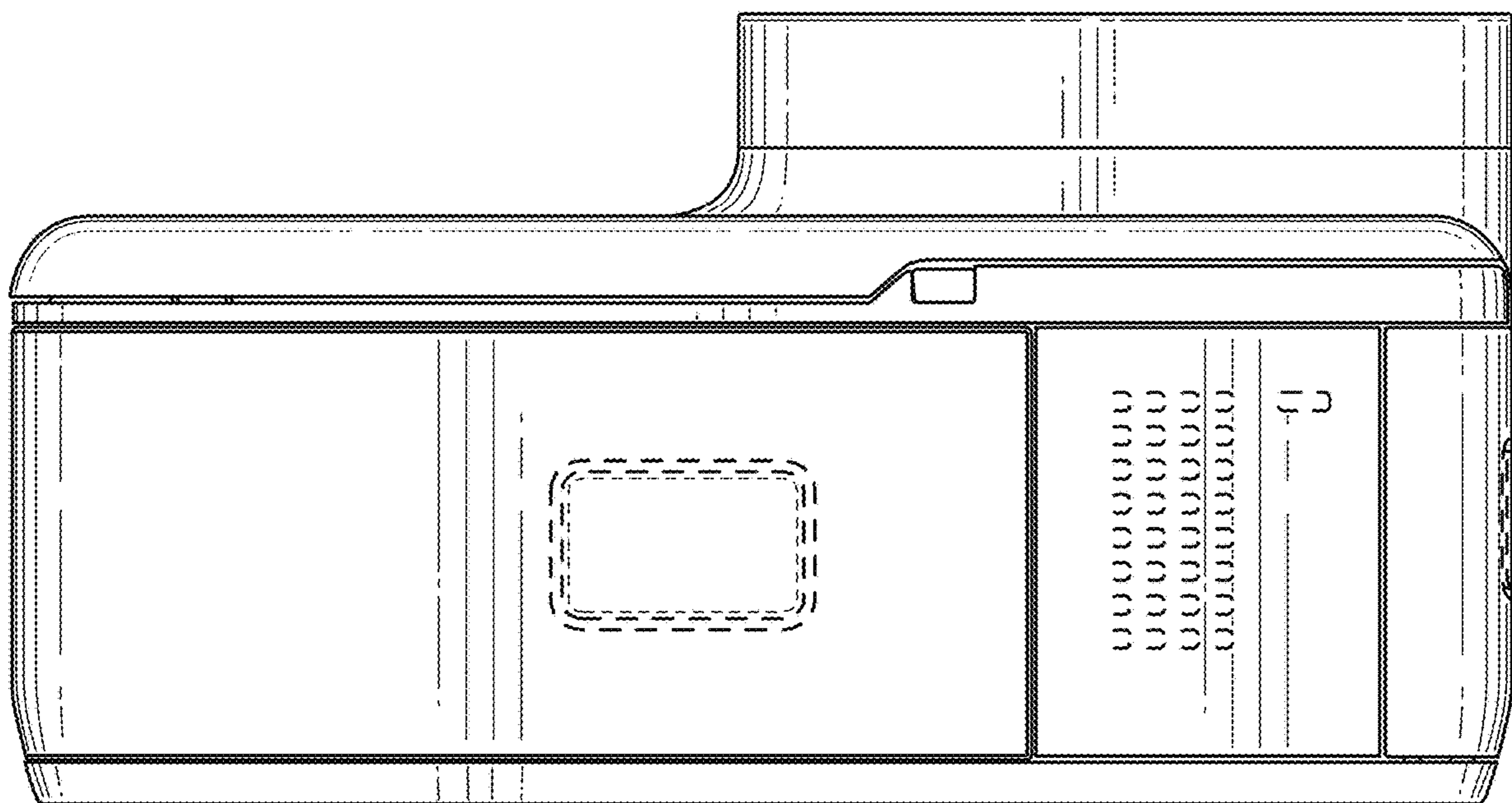


FIG. 10